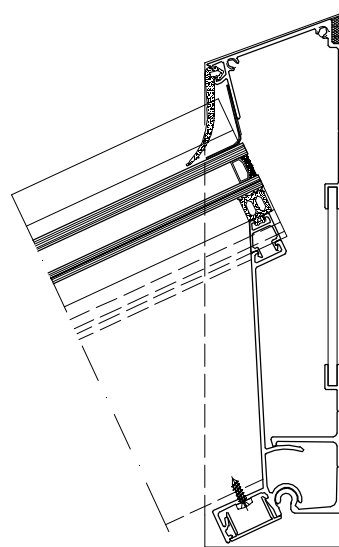


aliver 2000+

12/2/2008

VERANDA
VERANDA
WINTERGARTEN
CONSERVATORY



VR2000+a

PROFIELEN _____ P. 23
PROFILS
PROFILE
PROFILES

VR2000+b

TOEBEHOREN _____ P. 75
ACCESSOIRES
ZUBEHORTEILE
ACCESSORIES

VR2000+c

STATICA _____ P. 115
STATIQUE
STATIK
STATICS

VR2000+d

DOORSNEDEN _____ P. 129
COUPES
SCHNITT
SECTIONS

VR2000+e

ZAAGTABELLEN _____ P. 187
TABLES DE SCIAGES
ZUSCHNITT-TABELLEN
SAWING TABLES

VR2000+f

WERKTEKENINGEN _____ P. 205
DESSINS DE CONSTRUCTION
KONSTRUKTIONZEICHNUNGEN
CONSTRUCTION DRAWINGS

AFKORTINGEN / ABBREVIATIONS / ABKURZUNGEN / ABBREVIATIONS

BR = BRUT - BRUT - ROH - BRUT

AN = GEANODISEERD - ANODISE - ELOXIERT - ANODISED

AN (■) = GELAKT - LAQUE - LACKIERT - LACQUERED -- RAL9006M

KL = STANDAARDKLEUREN - COULEURS STANDARDS - BASIS FARBEN - BASIC COLORS

GS = SPECIAAL GEMOFFELD - LAQUE SPECIAL - SPECIALFARBE - SPECIAL COLOR

Z = ZWART - NOIR - SCHWARZ - BLACK

W = WIT - BLANC - WEISS - WHITE

De tekeningen die voorgesteld zijn op schaal 1:1, kunnen kleine maatafwijkingen vertonen, te wijten aan de reproductietechniek van deze catalogoog.

Les dessins représentés à l'échelle 1 peuvent avoir de légères variations dimensionnelles dues aux techniques de reproduction de ce catalogue.

Die Zeichnungen im Maßstab 1:1 können aus technischen Reproduktionsgründen leichte Messungsschwankungen darstellen.

The drawings represented on a scale 1 basis may have light dimensional variations due to the reproduction of the manual.

| | |
|---|-------|
| LIGGERS | P. 23 |
| CHEVRONS TRAGERS ROOF BEAMS | |
| ZIJLIGGERS | P. 27 |
| CHEVRONS LATERAL SEITENTRAGERS ROOFS BEAM SIDE | |
| VERHOOGSTUKKEN GOTEN | P. 31 |
| REHAUSSES GOUTTIERES ERHOHUNG RINNEN PLATFORMS FUR GUTTERS | |
| BASISPROFIEL VOOR SCHARNIER | P. 33 |
| PROFILE DE BASE POUR PROFILE DE CHARNIERE BASISPROFIL FUR SCHARNIERPROFIL BASIC PROFILE FOR HINGE PROFILE | |
| SCHARNIERPROFIELEN | P. 34 |
| PROFIL DE CHARNIERE SCHARNIERPROFIL HINGE PROFILES | |
| VERHOOGPROFIELEN | P. 40 |
| PROFILS DE REHAUSSEMENT ERHOHUNGPROFIELEN RAISE-PROFILES | |
| VARIABELE HOEKPROFIELEN | P. 41 |
| ANGLES VARIABLE VARIABEL ECKPROFIELEN VARIABLE CORNERPROFILES | |
| HOEKPROFIELEN | P. 43 |
| CORNIERES ECKPROFIELEN CORNERPROFILES | |
| BINNENDEEL MUURPROFIELEN | P. 44 |
| PROFILS INTERIEUR MURAL MAUERPROFIELEN INNEN WALL PROFILES INSIDE | |
| BUITENDEEL MUURPROFIELEN | P. 45 |
| PROFILS EXTERIEUR MURAL MAUERPROFIELEN AUSSEN WALL PROFILES OUTSIDE | |
| POLYCARBONAATPROFIELEN | P. 49 |
| PROFILS POLYCARBONAT POLYCARBONATE PROFIELEN POLYCARBONATE PROFILES | |

| | |
|--|-------|
| DEKPROFIELEN | P. 50 |
| PROFILS COUVERTURE ABDECKPROFIELEN COVERPROFILES | |
| KLEMLATTEN | P. 51 |
| SUPPORTS TRAGERS SUB-PROFILES | |
| ALU KLIPS | P. 52 |
| CLIPS EN ALU ALU KLIPSE ALU CAPS | |
| PVC KLIPS | P. 54 |
| CLIPS EN PVC PVC KLIPSE PVC GLAZING CAPS | |
| VERSTEVIIGINGSPROFIELEN | P. 55 |
| PROFILS DE RENFORCEMENT VERSTARKUNGSPROFILE STRENGTHENING PROFILES | |
| GORDIJNRAILS | P. 57 |
| GLISSIERES VORHANGSCHIENEN CURTAIN RAILS | |
| PALEN | P. 58 |
| POTEAUX PFAHLEN POSTS | |
| HOEKPALEN | P. 61 |
| POTEAUX A COIN ECKPFAHLEN CORNERPOSTS | |
| KAPPEN VOOR PALEN | P. 62 |
| CAPOTS POUR POTEAUX KAPPEN FUR PFAHLEN COVERS FOR POSTS | |
| KAPPROFIELEN | P. 65 |
| PROFILS DE CAPOT DECKLEISTE PROFIELEN CAP PROFILES | |

| | |
|---|-------|
| OPZETPROFIELEN | P. 66 |
| PROFILS ASSEMBLAGE ZUSAMMENFUGUNG PROFILEN ASSEMBLAGE PROFILES | |
| RINGBALK | P. 67 |
| POUTRE D'ANNEAU RINGBALKEN RINGBEAM | |
| GOOT VERANDA ROLLUIK GEINTEGREERD | P. 68 |
| GOUTTIERE VERANDA VOLET INT; DACHRINNEN WINTERGARTEN ROLLADEN INT; HEADGUTTERS BLIND INT; | |
| DEKSEL VOORKANT | P. 69 |
| CAPOT FACE AVANT AFSCHLIEßPROFIL COVERFRONT | |
| STEUNPROFIELEN | P. 70 |
| PROFILS DE SUPPORT STUTZPROFIELEN SUPPORT PROFILES | |
| NOKPROFIELEN | P. 71 |
| DOUBLE FAITIERES FIRST RIDGE PROFILES | |
| DIVERSE PROFIELEN | P. 72 |
| PROFILS DIVERS DIVERS PROFIEN VARIED PROFILES | |

VERANDA MET GLAS / POLYCARBONAAT _____ **P. 129**
VERANDA AVEC VERRE / POLYCARBONAT
WINTERGARTEN MIT GLAS / POLYCARBONAT
CONSERVATORY WITH GLASS / POLYCARBONATE

VERANDA MET ROLLUIK _____ **P. 181**
VERANDA AVEC VOLET
WINTERGARTEN MIT ROLLADEN
CONSERVATORY WITH BLINDS

VERANDA MET DUBBEL GLAS VAN 5° TOT 22° _____ P. 188
 VERANDA AVEC DOUBLE VITRAGE DE 5° JUSQU'A 22°
 WINTERGARTEN MIT DOPPEL VERGLASUNG VON 5° BIS 22°
 CONSERVATORY WITH DOUBLE GLAZING FROM 5° UP TO 22°

BEREKENING C1/Y VAN 5° TOT 22° _____ P. 190
 CALCULATION C1/Y DE 5° JUSQU'A 22°
 BEREICHNUNG C1/Y VON 5° BIS 22°
 CALCULATION C1/Y FROM 5° UP TO 22°

VERANDA MET DUBBEL GLAS VAN 22° TOT 45° _____ P. 191
 VERANDA AVEC DOUBLE VITRAGE DE 22° JUSQU'A 45°
 WINTERGARTEN MIT DOPPEL VERGLASUNG VON 2° BIS 45°
 CONSERVATORY WITH DOUBLE GLAZING FROM 22° UP TO 45°

BEREKENING C1/Y VAN 22° TOT 45° _____ P. 193
 CALCULATION C1/Y DE 22° JUSQU'A 45°
 BEREICHNUNG C1/Y VON 22° BIS 45°
 CALCULATION C1/Y FROM 22° UP TO 45°

VERANDA MET POLYCARBONAAT VAN 5° TOT 22° _____ P. 196
 VERANDA AVEC POLYCARBONATE DE 5° JUSQU'A 22°
 WINTERGARTEN MIT POLYCARBONAT VON 5° BIS 22°
 CONSERVATORY WITH POLYCARBONATE FROM 5 UP TO 22°

VERANDA MET POLYCARBONAAT VAN 22° TOT 45° _____ P. 198
 VERANDA AVEC POLYCARBONATE DE 22° JUSQU'A 45°
 WINTERGARTEN MIT POLYCARBONAT VON 22° BIS 45°
 CONSERVATORY WITH POLYCARBONATE FROM 22 UP TO 45°

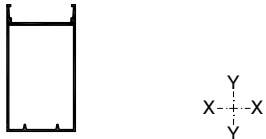
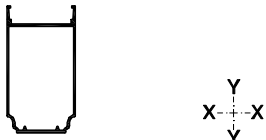
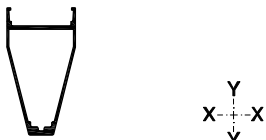
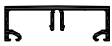
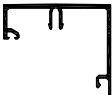

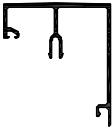
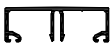
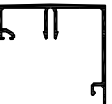
BEREKENING C1/C2 VAN 5° TOT 45° _____ P. 200
 CALCULATION C1/C2 DE 5° JUSQU'A 45°
 BEREICHNUNG C1/C2 VON 5° BIS 45°
 CALCULATION C1/C2 FROM 5° UP TO 45°

BEREKENING Y VAN 5° TOT 45° _____ P. 202
 CALCULATION Y DE 5° JUSQU'A 45°
 BEREICHNUNG Y VON 5° BIS 45°
 CALCULATION Y FROM 5° UP TO 45°

| | |
|---|--------|
| MONTAGE GOOT | P. 206 |
| MONTAGE GOUTTIERE AUFSTELLEN DACHRINNE ASSEMBLY GUTTER | |
| MONTAGE MUURPROFIEL | P. 208 |
| MONTAGE PROFIL MURAL AUFSTELLEN MAUERPROFIL ASSEMBLY WALL PROFILE | |
| MONTAGE GOOT MET DUBBEL GLAS | P. 210 |
| MONTAGE GOUTTIERE AVEC DOUBLE VITRAGE AUFSTELLEN DACHRINNE MIT DOPPEL VERGLASUNG ASSEMBLY GUTTER WITH DOUBLE GLAZING | |
| MONTAGE PAAL | P. 212 |
| MONTAGE POTEAU AUFSTELLEN PFAHL ASSEMBLY POST | |
| MONTAGE ACVR2031 | P. 213 |
| MONTAGE ACVR2031 AUFSTELLEN ACVR2031 ASSEMBLY ACVR2031 | |
| MONTAGE VR2030 MET DUBBEL GLAS VAN 5° TOT 45° | P. 214 |
| MONTAGE VR2030 AVEC DOUBLE VITRAGE DE 5° JUSQU'À 45° AUFSTELLEN VR2030 MIT DOPPEL VERGLASUNG VON 5° BIS 45° ASSEMBLY VR2030 WITH DOUBLE GLAZING FROM 5° UP TO 45° | |
| MONTAGE TREKKER | P. 215 |
| MONTAGE TIRANT AUFSTELLEN BRACKET ASSEMBLY BRACKET | |
| MONTAGE NOK | P. 216 |
| MONTAGE FAITIERE MONTAGE DACHFIRST ASSEMBLY RIDGE | |
| MONTAGE BOORMAL VOOR VR2016/2017 | P. 217 |
| MONTAGE CALIBRE AUFSTELLEN BOHRSCABLONE ASSEMBLY BORING JIG SET | |
| MONTAGE BOORMAL VOOR VR116/117 | P. 218 |
| MONTAGE CALIBRE AUFSTELLEN BOHRSCABLONE ASSEMBLY BORING JIG SET | |
| MONTAGE GOOT MET ROLLUIK | P. 219 |
| MONTAGE GOUTTIERE AVEC VOLET AUFSTELLEN RINNE MIT ROLLADEN ASSEMBLY GUTTER WITH BLINDS | |

| | |
|--|--------|
| MONTAGE ACVR2724 _____ | P. 220 |
| MONTAGE ACVR2724 AUFSTELLEN ACVR2724 ASSEMBLY ACVR2724 | |
| BEWERKING VR2773/VR2775 _____ | P. 221 |
| USINAGE VR2773/VR2775 BEARBEITUNG VR2773/VR2775 MACHINING VR2773/VR2775 | |
| BEWERKING VR212 _____ | P. 222 |
| USINAGE VR212 BEARBEITUNG VR212 MACHINING VR212 | |
| BEWERKING VR212 MET VR2217 _____ | P. 223 |
| USINAGE VR212 AVEC VR2217 BEARBEITUNG VR212 MIT VR2217 MACHINING VR212 WITH VR2217 | |
| BEWERKING VR2011 _____ | P. 224 |
| USINAGE VR2011 BEARBEITUNG VR2011 MACHINING VR2011 | |
| BEWERKING SCHARNIERPROFIEL EN GOOT _____ | P. 225 |
| USINAGE PROFIL CHARNIERE ET GOUTTIERE BEARBEITUNG SCHARNIERPROFIL UND DACHRINNE MACHINING HINGE PROFILE AND GUTTER | |
| BIJKOMENDE ONDERSTEUNING VOOR GOOT _____ | P. 226 |
| SUPPORT SUPPLEMENTAIRE POUR GOUTTIERE ZUSATLICHE UNTERSTUTZUNG FUR DACHRINNE ADDITIONAL SUPPORT FOR GUTTER | |
| OVERZICHT KOPPLATEN GOOT _____ | P. 228 |
| RESUME FERMETURES LATERALES GOUTTIERE UBERSICHT ENDKAPPE DACHRINNE OVERVIEW GUTTER SIDEPLATES | |
| MAATBEPALING HOOGTE TRAPEZIUM VAN 5° TOT 22° _____ | P. 229 |
| DIMENSIONS HAUTEUR TRAPEZE DE 5° JUSQU'A 22° MASSBESTIMMUNG HOHE TRAPEZ VON 5° BIS 22° MEASURE TRAPEZIUM HEIGHT FROM 5° UP TO 22° | |
| MAATBEPALING HOOGTE TRAPEZIUM VAN 22° TOT 45° _____ | P. 232 |
| DIMENSIONS HAUTEUR TRAPEZE DE 22° JUSQU'A 45° MASSBESTIMMUNG HOHE TRAPEZ VON 22° BIS 45° MEASURE TRAPEZIUM HEIGHT FROM 22° BIS 45° | |
| OVERLOOP _____ | P. 235 |
| TROP PLEIN UBERLAUFEN KONTROLLE OVERFLOW CONTROL | |

WATERAFVOER PVC _____ P. 236
CREPINE PVC
REGENABFUR PVC
LEAF TRAP PVC

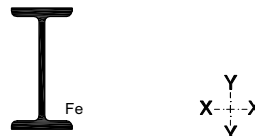

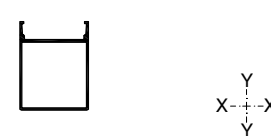






| NUMMER NUMERO NUMBER | AFBEELDING IMAGE BILD PICTURE | BLAD PAGE SEITE PAGE | OMTREK PERIM. UMRIB PERIM. mm | MECH. MEC. MECH. MEC. mm | lx (cm4) | | ly (cm4) | | LENGTE LONG. LANGE LENGTH | VERP. PER EMB. PAR PACK PR. | BR | AN | KL | GS | M1 |
|----------------------------|---|-------------------------------|---|--------------------------------------|----------|----------|----------|----------|------------------------------------|-----------------------------------|----|----|----|----|----|
| | | | | | Wx (cm3) | Wy (cm3) | Wx (cm3) | Wy (cm3) | | | | | | | |
| VR011N |  | 23 | 356,3 | 272 | 79.31 | 32.89 | 14.89 | 11.54 | 2.3 3.5 4.6 7 | 2 | X | X | X | X | |
| VR011V |  | 24 | 348,3 | 263,9 | 80.08 | 33.78 | 14.99 | 11.85 | 4.6 7 | 2 | X | X | X | X | |
| VR011ST |  | 24 | 324.4 | 240 | 84.55 | 23.84 | 16.09 | 8.36 | 7 | 2 | X | X | X | X | |
| VR030 |  | 52 | 268 | 91 | - | - | - | - | 7 | 2 | X | X | X | X | |
| VR031 |  | 53 | 331.6 | 123.3 | - | - | - | - | 7 | 2 | X | X | X | X | |
| VR032 |  | 52 | 304.8 | 91 | - | - | - | - | 7 | 2 | X | X | X | X | |
| VR033 |  | 53 | 400 | 139 | - | - | - | - | 7 | 2 | X | X | X | X | |
| VR034 |  | 52 | 286.1 | 91 | - | - | - | - | 7 | 2 | X | X | X | X | |
| VR035 |  | 53 | 360.3 | 128 | - | - | - | - | 7 | 2 | X | X | X | X | |

BR = BRUT - BRUT - ROH - BRUT
 AN = ANODISATIE - ANODISE - ELOXIERT - ANODISED
 KL = STANDAARDKLEUREN - COULEUR STANDARD - BASIS FARBEN - BASIC COLORS
 GS = GEMOFFELD SPECIAAL - LAQUE SPECIAL - SPECIALFARBE - SPECIAL COLOR
 M1 = BICOLOR - BICOLOR - BICOLOR - BICOLOR

A = BUITEN - EXTERIEUR - AUSSEN - OUTSIDE
 B = BINNEN - INTERIEUR - INNEN - INSIDE

| NUMMER NUMERO NUMBER | AFBEELDING IMAGE BILD PICTURE | BLAD PAGE SEITE PAGE | OMTREK PERIM. UMRIB PERIM. mm | MECH. MEC. MECH. MEC. mm | Ix (cm4) | | Iy (cm4) | | LENGTE LONG. LANGE LENGTH | VERP. PER EMB. PAR PACK PR. | BR | AN | KL | GS | M1 |
|----------------------------|--|-------------------------------|---|--------------------------------------|----------|----------|----------|----------|------------------------------------|-----------------------------------|----|----|----|----|----|
| | | | | | Wx (cm3) | Wy (cm3) | Wx (cm3) | Wy (cm3) | | | | | | | |
| VR036 | | 52 | 287.5 | 91 | - | - | - | - | 7 | 4 | X | X | X | X | |
| VR037 | | 53 | 371.5 | 131.7 | - | - | - | - | 7 | 2 | X | X | X | X | |
| VR042 | | 50 | 93.7 | 49 | - | - | - | - | 6 | 10 | X | X | X | X | |
| VR045 | | 50 | 211.5 | 86.5 | - | - | - | - | 3.5 7 | 2 | X | X | X | X | |
| VR046 | | 50 | 231.5 | 96.5 | - | - | - | - | 3.5 7 | 2 | X | X | X | X | |
| VR052 | | 73 | 119,5 | - | - | - | - | - | 7 | - | X | | | | |
| VR060 | | 55 | 260 | - | 64.75 | 30.8 | 16.18 | 12.32 | 7 | - | X | | | | |
| VR061 | | 55 | 253,1 | - | 81.03 | 38.23 | 20.25 | 15.29 | 6 | - | X | | | | |
| VR062 | | 55 | 233,1 | - | 69.03 | 22.5 | 17.25 | 11.25 | 6 | - | X | | | | |

BR = BRUT - BRUT - ROH - BRUT
 AN = ANODISATIE - ANODISE - ELOXIERT - ANODISED
 KL = STANDAARDKLEUREN - COULEUR STANDARD - BASIS FARBEN - BASIC COLORS
 GS = GEMOFFELD SPECIAAL - LAQUE SPECIAL - SPECIALFARBE - SPECIAL COLOR
 M1 = BICOLOR - BICOLOR - BICOLOR - BICOLOR

| NUMMER NUMERO NUMBER | AFBEELDING IMAGE BILD PICTURE | BLAD PAGE SEITE PAGE | OMTREK PERIM. UMRIB PERIM. mm | MECH. MEC. MECH. MEC. mm | lx (cm4) | | LENGTE LONG. LANGE LENGTH | VERP. PER EMB. PAR PACK PR. | BR | AN | KL | GS | M1 |
|----------------------------|---|-------------------------------|---|--------------------------------------|----------|----------|------------------------------------|-----------------------------------|----|----|----|----|----|
| | | | | | Wx (cm3) | Wy (cm3) | | | | | | | |
| VR063 |  | 56 | 375.5 | - | 171.81 | 13.25 | 6 | - | X | | | | |
| | | | | | 34.36 | 5.3 | | | | | | | |
| VR075 |  | 72 | 54,1 | - | - | - | 6.5 | - | X | Z | | | |
| VR111N |  | 23 | 292,3 | 208 | 29.19 | 24.79 | 7 | 2 | X | X | X | X | |
| | | | | | 7.79 | 8.7 | | | | | | | |
| VR123 |  | 31 | 408,4 | 240 | - | - | 7 | 2 | X | X | X | X | |
| VR124 |  | 31 | 273.6 | 213.6 | - | - | 7 | 2 | X | X | X | X | |
| VR125 |  | 73 | 451,3 | 138 | - | - | 7 | 2 | X | X | X | X | |
| VR126 |  | 73 | 133,4 | - | - | - | 7 | - | X | | | | |
| VR127 |  | 73 | 234 | - | - | - | 7 | - | X | | | | |
| VR173 |  | 66 | 200,8 | 65 | - | - | 4.7 5.5 | 5 | X | X | X | X | |

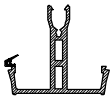

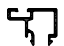
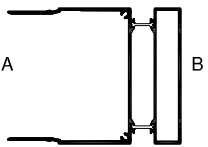

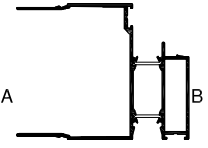

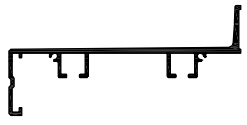

BR = BRUT - BRUT - ROH - BRUT
AN = ANODISATIE - ANODISE - ELOXIERT - ANODISED
KL = STANDAARDKLEUREN - COULEUR STANDARD - BASIS FARBEN - BASIC COLORS
GS = GEMOFFELD SPECIAAL - LAQUE SPECIAL - SPECIALFARBE - SPECIAL COLOR
M1 = BICOLOR - BICOLOR - BICOLOR - BICOLOR

A = BUITEN - EXTERIEUR - AUSSEN - OUTSIDE
B = BINNEN - INTERIEUR - INNEN - INSIDE

PROFIELEN - PROFILS - PROFILE - PROFILES

| NUMMER NUMERO NUMBER | AFBEELDING IMAGE BILD PICTURE | BLAD PAGE SEITE PAGE | OMTREK PERIM. UMRIB PERIM. mm | MECH. MEC. MECH. mm | Ix (cm4) | Iy (cm4) | LENGTE LONG. LANGE LENGTH | VERP. PER EMB. PAR PACK PR. | BR | AN | KL | GS | M1 |
|----------------------------|--|-------------------------------|---|------------------------------|----------------|----------------|------------------------------------|-----------------------------------|----|----|----|----|----|
| | | | | | Wx (cm3) | Wy (cm3) | | | | | | | |
| VR174 | | 66 | 220,5 | 85 | - | - | 4.7 5.5 | 5 | X | X | X | X | |
| VR212 | | 27 | 424 | 212 | 91.88 16.68 | 49.45 15.03 | 6.5 | 1 | X | X | X | X | X |
| VR217 | | 39 | 468,7 | 120 | 51.28 7.77 | 6.72 2.41 | 2.3 3.5 4.6 7 | 2 | X | X | X | X | |
| VR218 | | 39 | 467 | 148 | 55.67 8.65 | 20.31 4.82 | 2.3 3.5 4.6 7 | 2 | X | X | X | X | |
| VR425 | | 44 | 353 | 49 | 23.8 5.33 | 5.27 2.03 | 2.3 3.5 4.6 7 | 2 | X | X | X | X | |
| VR426 | | 45 | 424.4 | 68 | 37.53 6.38 | 20.03 4 | 7 | 2 | X | X | X | X | |
| VR427 | | 46 | 512.4 | 108.8 | 67.44 9.36 | 61.01 8.4 | 7 | 2 | X | X | X | X | |
| VR514 | PVC | 54 | - | - | - | - | 7 | - | X | | | | |
| VR515 | PVC | 54 | - | - | - | - | 7 | - | X | | | | |

BR = BRUT - BRUT - ROH - BRUT
 AN = ANODISATIE - ANODISE - ELOXIERT - ANODISED
 KL = STANDAARDKLEUREN - COULEUR STANDARD - BASIS FARBEN - BASIC COLORS
 GS = GEMOFFELD SPECIAAL - LAQUE SPECIAL - SPECIALFARBE - SPECIAL COLOR
 M1 = BICOLOR - BICOLOR - BICOLOR - BICOLOR

| NUMMER NUMERO NUMBER | AFBEELDING IMAGE BILD PICTURE | BLAD PAGE SEITE PAGE | OMTREK PERIM. UMRIB. PERIM. mm | MECH. MEC. MEC. mm | lx (cm4) | | LENGTE LONG. LANGE LENGTH | VERP. PER EMB. PAR PACK PR. | BR | AN | KL | GS | M1 |
|----------------------------|--|-------------------------------|--|-----------------------------|-----------------|-----------------|------------------------------------|-----------------------------------|----|----|----|----|----|
| | | | | | Wx (cm3) | Wy (cm3) | | | | | | | |
| VR515A |  PVC | 54 | - | - | - | - | 7 | - | X | | | | |
| VR565 |  | 40 | 121 | 15 | - | - | 3.5 7 | 6 | X | X | X | X | |
| VR566 |  | 40 | 161 | 16 | - | - | 3.5 7 | 6 | X | X | X | X | |
| VR571 |  X Y---Y X | 59 | 776 | 276 | 181.35 19.14 | 221.97 40.35 | 4.7 5.5 | 1 | X | X | X | X | X |
| VR572 |  X Y---Y X | 62 | 533 | 244.7 | 25.11 4.78 | 98.00 17.82 | 4.7 5.5 | 2 | X | X | X | X | |
| VR573 |  X Y---Y X | 60 | 801 | 213.4 | 155.67 17.71 | 170.56 27.65 | 2.3 4.7 5.5 | 1 | X | X | X | X | X |
| VR574 |  | 63 | 546 | 236.6 | 21.04 4.29 | 109.58 19.92 | 4.7 5.5 | 2 | X | X | X | X | |
| VR910 |  Y X---X Y | 57 | 521 | 494 | 5.19 1.66 | 96.15 15.47 | 7 | 2 | X | X | X | X | |
| VR912 |  | 57 | 386.5 | 361.1 | - | - | 7 | 2 | X | X | X | X | |

BR = BRUT - BRUT - ROH - BRUT

AN = ANODISATIE - ANODISE - ELOXIERT - ANODISED

KL = STANDAARDKLEUREN - COULEUR STANDARD - BASIS FARBEN - BASIC COLORS

GS = GEMOFFELD SPECIAAL - LAQUE SPECIAL - SPECIALFARBE - SPECIAL COLOR

M1 = BICOLOR - BICOLOR - BICOLOR - BICOLOR

A = BUITEN - EXTERIEUR - AUSSEN - OUTSIDE
B = BINNEN - INTERIEUR - INNEN - INSIDE

PROFIELEN - PROFILS - PROFILE - PROFILES

| NUMMER NUMERO NUMBER | AFBEELDING IMAGE BILD PICTURE | BLAD PAGE SEITE PAGE | OMTREK PERIM. UMRIB PERIM. mm | MECH. MEC. MECH. MEC. mm | Ix (cm4) | | Iy (cm4) | | LENGTE LONG. LANGE LENGTH | VERP. PER EMB. PAR PACK PR. | BR | AN | KL | GS | M1 |
|----------------------------|--|-------------------------------|---|--------------------------------------|----------|----------|----------|----------|------------------------------------|-----------------------------------|----|----|----|----|----|
| | | | | | Wx (cm3) | Wy (cm3) | Wx (cm3) | Wy (cm3) | | | | | | | |
| VR1040 | | 49 | 203,8 | 59,4 | - | - | - | - | 7 | 6 | X | X | X | X | |
| VR1041 | | 49 | 235,8 | 75,4 | - | - | - | - | 7 | 6 | X | X | X | X | |
| VR1042 | | 49 | 211,8 | 63,3 | - | - | - | - | 7 | 6 | X | X | X | X | |
| VR1043 | | 49 | 221,7 | 68,5 | - | - | - | - | 7 | 6 | X | X | X | X | |
| VR2011 | | 25 | 396,3 | 312 | 178.28 | 47.59 | 26.33 | 16.69 | 2.3 3.5 4.6 7 | 1 | X | X | X | X | |
| VR2011B | | 26 | 388.7 | 304.3 | 180.54 | 47.33 | 26.23 | 16.61 | 7 | 1 | X | X | X | X | |
| VR2011V | | 25 | 388,3 | 307.1 | 176.17 | 43.05 | 26.40 | 15.11 | 7 | 1 | X | X | X | X | |
| VR2016 | | 34 | 784.5 | 235.5 | 156.45 | 47.79 | 21.33 | 8.09 | 2.3 3.5 4.6 7 | 1 | X | X | X | X | X |
| VR2017 | | 35 | 785.6 | 215.5 | 132.09 | 47.78 | 17.31 | 8.09 | 2.3 3.5 4.6 7 | 1 | X | X | X | X | X |

BR = BRUT - BRUT - ROH - BRUT
 AN = ANODISATIE - ANODISE - ELOXIERT - ANODISED
 KL = STANDAARDKLEUREN - COULEUR STANDARD - BASIS FARBEN - BASIC COLORS
 GS = GEMOFFELD SPECIAAL - LAQUE SPECIAL - SPECIALFARBE - SPECIAL COLOR
 M1 = BICOLOR - BICOLOR - BICOLOR - BICOLOR

| NUMMER NUMERO NUMBER | AFBEELDING IMAGE BILD PICTURE | BLAD PAGE SEITE PAGE | OMTREK PERIM. UMRIB PERIM. mm | MECH. MEC. MECH. MEC. mm | lx (cm4) | | LENGTE LONG. LANGE LENGTH | VERP. PER EMB. PAR PACK PR. | BR | AN | KL | GS | M1 |
|----------------------------|--|-------------------------------|---|--------------------------------------|-----------------|-----------------|------------------------------------|-----------------------------------|----|----|----|----|----|
| | | | | | Wx (cm3) | Wy (cm3) | | | | | | | |
| VR2021 | | 30 | 1017.1 | 267.8 | 176.87 24.84 | 591.41 54.90 | 2.3 3.5 4.6 7 | 1 | X | X | X | X | X |
| VR2022 | | 33 | 532.7 | 130.2 | 115.74 17.96 | 62.40 13.00 | 7 | 1 | X | X | X | X | X |
| VR2030 | | 72 | 287 | 75 | - | - | 2.3 3.5 4.6 7 | 2 | X | X | X | X | |
| VR2031 | | 72 | 260 | 75.1 | - | - | 7 | | X | X | X | X | |
| VR2060 | | 55 | 298 | - | 173.49 34.69 | 56.12 22.44 | 7 | - | X | | | | |
| VR2116 | | 36 | 815 | 259 | 208.27 32.26 | 55.96 9.28 | 2.3 3.5 4.6 7 | 2 | X | X | X | X | X |
| VR2117 | | 37 | 815 | 262 | 188.51 28.18 | 55.96 9.28 | 2.3 3.5 4.6 7 | 2 | X | X | X | X | X |
| VR2121 | | 30 | 1145.4 | 317.3 | 267.31 32.75 | 967.04 85.21 | 2.3 3.5 4.6 7 | 1 | X | X | X | X | X |
| VR2122 | | 55 | 216 | - | 66.67 13.33 | 0.43 1.06 | 6 | - | X | | | | |

BR = BRUT - BRUT - ROH - BRUT
 AN = ANODISATIE - ANODISE - ELOXIERT - ANODISED
 KL = STANDAARDKLEUREN - COULEUR STANDARD - BASIS FARBEN - BASIC COLORS
 GS = GEMOFFELD SPECIAAL - LAQUE SPECIAL - SPECIALFARBE - SPECIAL COLOR
 M1 = BICOLOR - BICOLOR - BICOLOR - BICOLOR

A = BUITEN - EXTERIEUR - AUSSEN - OUTSIDE
 B = BINNEN - INTERIEUR - INNEN - INSIDE

| NUMMER NUMERO NUMBER | AFBEELDING IMAGE BILD PICTURE | BLAD PAGE SEITE PAGE | OMTREK PERIM. UMRIB PERIM. mm | MECH. MEC. MECH. MEC. mm | Ix (cm4) | Iy (cm4) | LENGTE LONG. LANGE LENGTH | VERP. PER EMB. PAR PACK PR. | BR | AN | KL | GS | M1 |
|----------------------------|--|-------------------------------|---|--------------------------------------|-----------------|-----------------|------------------------------------|-----------------------------------|----|----|----|----|----|
| | | | | | Wx (cm3) | Wy (cm3) | | | | | | | |
| VR2125 | | 71 | 561.3 | 142.9 | - | - | 7 | | X | X | X | X | |
| VR2151 | | 41 | 601.6 | 261.6 | 245.9 26.71 | 86.87 10.09 | 6.5 | 1 | X | X | X | X | X |
| VR2152 | | 42 | 547.3 | 218.2 | 249.65 28.34 | 19.99 3.56 | 6.5 | 1 | X | X | X | X | X |
| VR2216 | | 38 | 493 | 165 | 74.67 9.3 | 6.67 2.4 | 2.3 3.5 4.6 7 | 1 | X | X | X | X | |
| VR2217 | | 38 | 510 | 173 | 87.69 11.5 | 26.52 5.66 | 2.3 3.5 4.6 7 | 1 | X | X | X | X | |
| VR2426 | | 47 | 468 | 70 | 37.67 6.43 | 24.04 5.07 | 2.3 3.5 4.6 7 | 2 | X | X | X | X | |
| VR2427 | | 48 | 555 | 111 | 69.05 9.73 | 72.19 10.39 | 2.3 3.5 4.6 7 | 2 | X | X | X | X | |
| VR2571 | | 58 | 751.5 | 219.7 | 166.84 17.76 | 200.47 36.45 | 2.3 4.7 5.5 | 1 | X | X | X | X | X |
| VR2574 | | 73 | 287 | 101.3 | 16.64 8.56 | 60.73 15.43 | 6.5 | 2 | X | X | X | X | |

BR = BRUT - BRUT - ROH - BRUT
 AN = ANODISATIE - ANODISE - ELOXIERT - ANODISED
 KL = STANDAARDKLEUREN - COULEUR STANDARD - BASIS FARBEN - BASIC COLORS
 GS = GEMOFFELD SPECIAAL - LAQUE SPECIAL - SPECIALFARBE - SPECIAL COLOR
 M1 = BICOLOR - BICOLOR - BICOLOR - BICOLOR





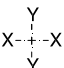





| NUMMER NUMERO NUMBER | AFBEELDING IMAGE BILD PICTURE | BLAD PAGE SEITE PAGE | OMTREK PERIM. UMRIB PERIM. mm | MECH. MEC. MEC. mm | lx (cm4) | | LENGTE LONG. LANGE LENGTH | VERP. PER EMB. PAR PACK PR. | BR | AN | KL | GS | M1 |
|----------------------------|--|-------------------------------|---|-----------------------------|-----------------|-----------------|------------------------------------|-----------------------------------|----|----|----|----|----|
| | | | | | Wx (cm3) | Wy (cm3) | | | | | | | |
| VR2575 | | 50 | 323.6 | 164.2 | - | - | 6.5 | 2 | X | X | X | X | |
| VR2612 | | 28 | 486,6 | 289.5 | 104.42 17.91 | 57.84 17.09 | 2.3 3.5 4.6 7 | 1 | X | X | X | X | X |
| VR2613 | | 29 | 526,6 | 329.5 | 169.82 24.87 | 66.79 19.73 | 2.3 3.5 4.6 7 | 1 | X | X | X | X | X |
| VR2614 | | 72 | 147,9 | 50.5 | - | - | 7 | 6 | X | X | X | X | |
| VR2710 | | 66 | 568,6 | 362 | 621.38 66.89 | 103.59 30.43 | 7 | 1 | X | X | X | X | X |
| VR2720 | | 67 | 657,7 | 108 | 171.07 26.35 | 92.35 17.86 | 7 | 1 | X | X | X | X | X |
| VR2721 | | 68 | 978 | 171 | 199.41 22.16 | 436.22 46.51 | 7 | 1 | X | X | X | X | |
| VR2722 | | 69 | 601 | 240 | 385.52 31.75 | 13.52 3.97 | 7 | 1 | X | X | X | X | |
| VR2723 | | 72 | 294,6 | 133 | - | - | 7 | 2 | X | X | X | X | |

BR = BRUT - BRUT - ROH - BRUT
 AN = ANODISATIE - ANODISE - ELOXIERT - ANODISED
 KL = STANDAARDKLEUREN - COULEUR STANDARD - BASIS FARBEN - BASIC COLORS
 GS = GEMOFFELD SPECIAAL - LAQUE SPECIAL - SPECIALFARBE - SPECIAL COLOR
 M1 = BICOLOR - BICOLOR - BICOLOR - BICOLOR

A = BUITEN - EXTERIEUR - AUSSEN - OUTSIDE
 B = BINNEN - INTERIEUR - INNEN - INSIDE

| NUMMER NUMERO NUMBER | AFBEELDING IMAGE BILD PICTURE | BLAD PAGE SEITE PAGE | OMTREK PERIM. UMRIB PERIM. mm | MECH. MEC. MECH. MEC. mm | Ix (cm4) | | Iy (cm4) | | LENGTE LONG. LANGE LENGTH | VERP. PER EMB. PAR PACK PR. | BR | AN | KL | GS | M1 |
|----------------------------|--|-------------------------------|---|--------------------------------------|----------|----------|----------|----------|------------------------------------|-----------------------------------|----|----|----|----|----|
| | | | | | Wx (cm3) | Wy (cm3) | Wx (cm3) | Wy (cm3) | | | | | | | |
| VR2724 | | 70 | 376 | 127 | - | - | - | - | 7 | 2 | X | X | X | X | |
| VR2772 | | 64 | 550 | 265 | - | - | - | - | 6.6 | 2 | X | X | X | X | |
| VR2774 | | 61 | 393 | 211,3 | 78.49 | 41.01 | 12.57 | 7.27 | 6.6 | 1 | X | X | X | X | |
| VR2775 | | 70 | 281 | 45 | 33.11 | 7.67 | 6.57 | 2.32 | 7 | 2 | X | X | X | X | |
| VR9521 | | 32 | 523 | 197.6 | 83.20 | 15.63 | 10.89 | 3.76 | 7 | 2 | X | X | X | X | |
| VR9522 | | 32 | 463 | 176 | - | - | - | - | 7 | 2 | X | X | X | X | |
| DK052N | | 50 | 171,4 | 96 | - | - | - | - | 4.6 7 | 4 | X | X | X | X | |
| DK053 | | 50 | 191,4 | 97.5 | - | - | - | - | 7 | 4 | X | X | X | X | |
| DK054 | | 50 | 240 | 146 | - | - | - | - | 7 | 2 | X | X | X | X | |

BR = BRUT - BRUT - ROH - BRUT
 AN = ANODISATIE - ANODISE - ELOXIERT - ANODISED
 KL = STANDAARDKLEUREN - COULEUR STANDARD - BASIS FARBEN - BASIC COLORS
 GS = GEMOFFELD SPECIAAL - LAQUE SPECIAL - SPECIALFARBE - SPECIAL COLOR
 M1 = BICOLOR - BICOLOR - BICOLOR - BICOLOR

| NUMMER NUMERO NUMBER NUMBER | AFBEELDING IMAGE BILD PICTURE | BLAD PAGE SEITE PAGE | OMTREK PERIM. UMRIB PERIM. mm | MECH. MECH. MECH. MEC. mm | lx (cm4) | | ly (cm4) | | LENGTE LONG. LANGE LENGTH | VERP. PER EMB. PAR PACK PR. | BR | AN | KL | GS | M1 |
|--------------------------------------|---|-------------------------------|---|---------------------------------------|----------|----------|----------|----------|------------------------------------|-----------------------------------|----|----|----|----|----|
| | | | | | Wx (cm3) | Wy (cm3) | Wx (cm3) | Wy (cm3) | | | | | | | |
| DK154 |  | 50 | - | - | - | - | - | - | 7 | - | X | | | | |
| DK155 |  | 51 | 210,4 | - | - | - | - | - | 7 | - | X | | | | |
| MC050 |  | 65 | 206,3 | 102 | - | - | - | - | 7 | 6 | X | X | X | X | |
| MC054 |   | 51 | 200,8 | - | 0.41 | 6.88 | 0.35 | 2.52 | 7 | 2 | X | X | X | X | |
| MC055 |  | 72 | 129 | 59 | - | - | - | - | 2.3 3.5 7 | 2 | X | X | X | X | |
| MC150 |  | 51 | 185,3 | - | - | - | - | - | 7 | 2 | X | X | X | X | |
| MC152 |  | 51 | 186,3 | - | - | - | - | - | 7 | 2 | X | X | | | |
| MC154 |  | 51 | 214,3 | - | - | - | - | - | 7 | 2 | X | X | X | X | |
| MC157 |  | 51 | 427,5 | 111 | - | - | - | - | 7 | 2 | X | X | X | X | |

BR = BRUT - BRUT - ROH - BRUT

AN = ANODISATIE - ANODISE - ELOXIERT - ANODISED


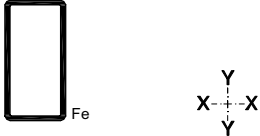





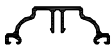

KL = STANDAARDKLEUREN - COULEUR STANDARD - BASIS FARBEN - BASIC COLORS

GS = GEMOFFELD SPECIAAL - LAQUE SPECIAL - SPECIALFARBE - SPECIAL COLOR

M1 = BICOLOR - BICOLOR - BICOLOR - BICOLOR

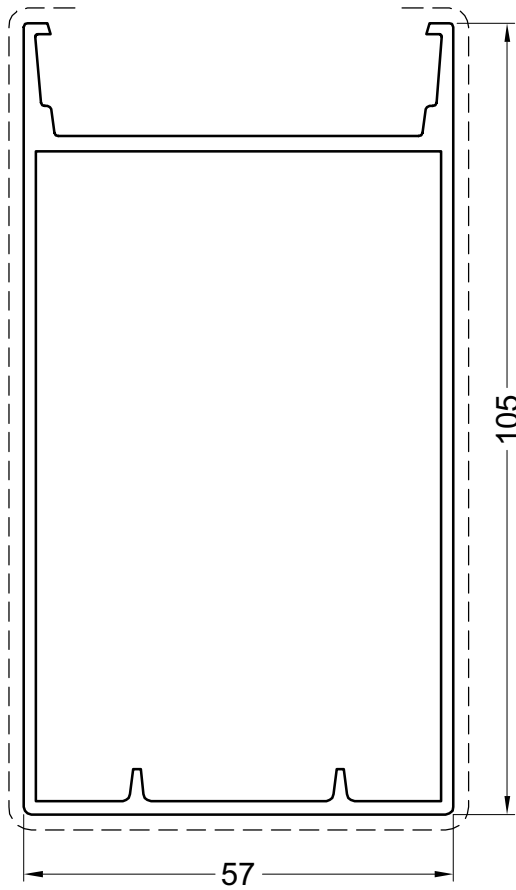
A = BUITEN - EXTERIEUR - AUSSEN - OUTSIDE
B = BINNEN - INTERIEUR - INNEN - INSIDE

PROFIELEN - PROFILES - PROFILE - PROFILS

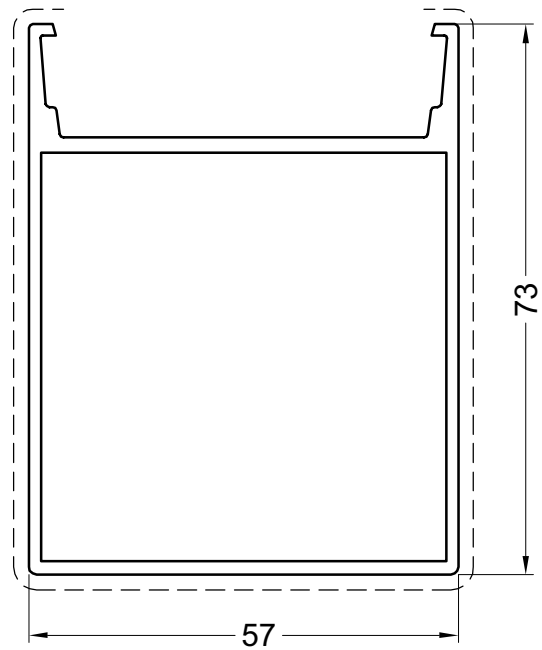
| NUMMER NUMERO NUMBER | AFBEELDING IMAGE BILD PICTURE | BLAD PAGE SEITE PAGE | OMTREK PERIM. UMRIB PERIM. mm | MECH. MEC. MECH. MEC. mm | Ix (cm4) | Iy (cm4) | LENGTE LONG. LANGE LENGTH | VERP. PER EMB. PAR PACK PR. | BR | AN | KL | GS | M1 |
|----------------------------|---|-------------------------------|---|--------------------------------------|-----------------|---------------|------------------------------------|-----------------------------------|----|----|----|----|----|
| | | | | | Wx (cm3) | Wy (cm3) | | | | | | | |
| SR014 |  | 72 | 110,4 | 31 | - | - | 3.5 7 | 10 | X | X | X | X | |
| SR031 |  | 55 | 293 | - | 140.99 28.19 | 46.6 18.64 | 6 | 1 | X | | | | |
| UTL010 |  | 43 | 120 | 60 | - | - | 6 | 10 | X | X | X | X | |
| UTL045 |  | 43 | 160 | 80 | - | - | 6 | 6 | X | X | X | X | |
| UTL056 |  | 43 | 139 | 70 | - | - | 6 | 6 | X | X | X | X | |
| VL75 |  | 72 | 54 | - | - | - | 6.5 | 10 | X | X | | | |
| VT052 |  | 65 | 214 | 109 | - | - | 7 | 2 | X | X | X | X | |
| VT056 |  | 52 | 237 | 83 | - | - | 7 | 6 | X | X | X | X | |
| VT123 |  | 31 | 304 | 109 | - | - | 7 | 2 | X | X | X | X | |

BR = BRUT - BRUT - ROH - BRUT
 AN = ANODISATIE - ANODISE - ELOXIERT - ANODISED
 KL = STANDAARDKLEUREN - COULEUR STANDARD - BASIS FARBEN - BASIC COLORS
 GS = GEMOFFELD SPECIAAL - LAQUE SPECIAL - SPECIALFARBE - SPECIAL COLOR
 M1 = BICOLOR - BICOLOR - BICOLOR - BICOLOR

VR011N



VR111N

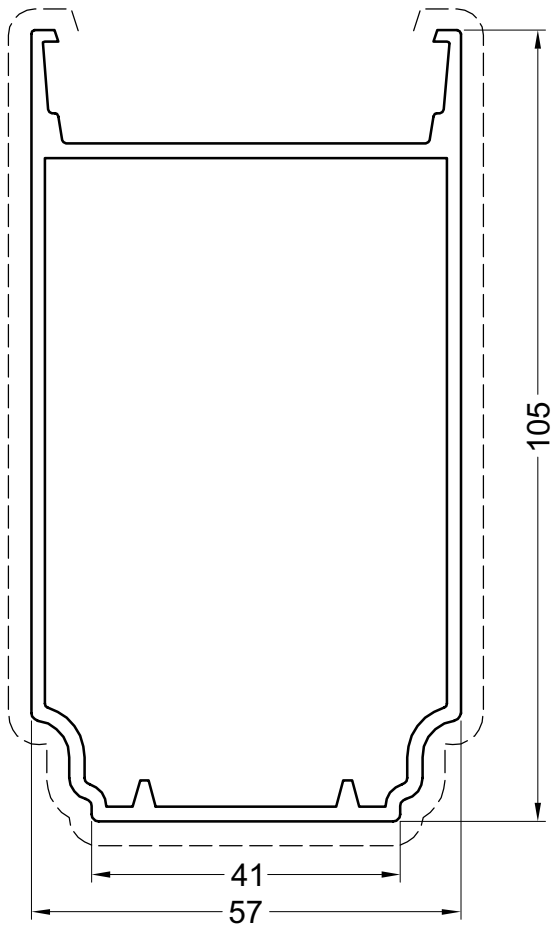


paga01

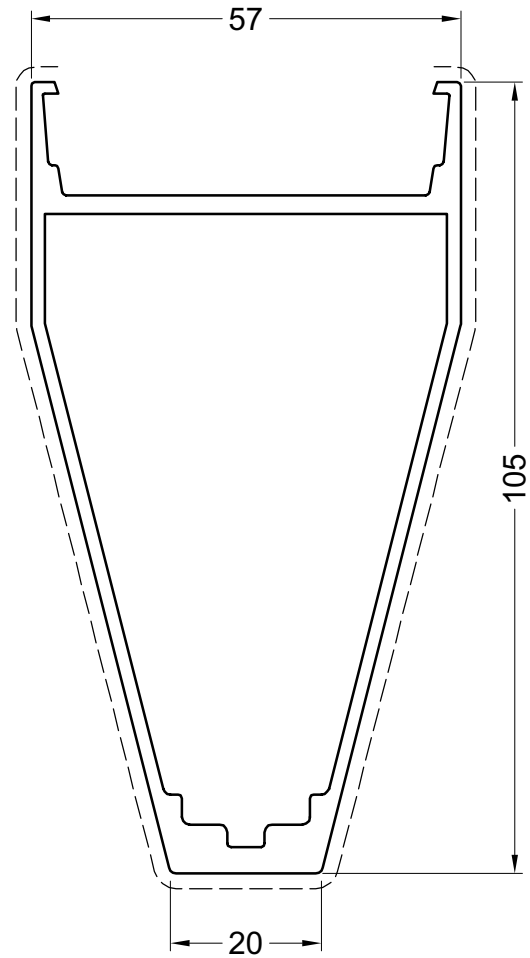
Primaire zichtbare zijde
Face visible primaire
Primär sichtbare Seite
Primary visible side

Secundaire zichtbare zijde
Face visible secondaire
Secondär sichtbare Seite
Secondary visible side

VR011V

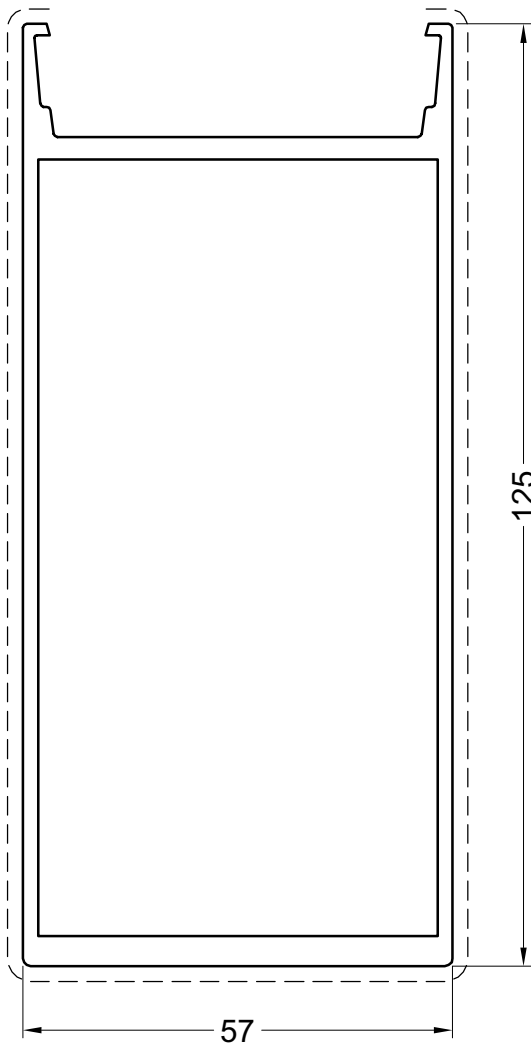


VR011ST

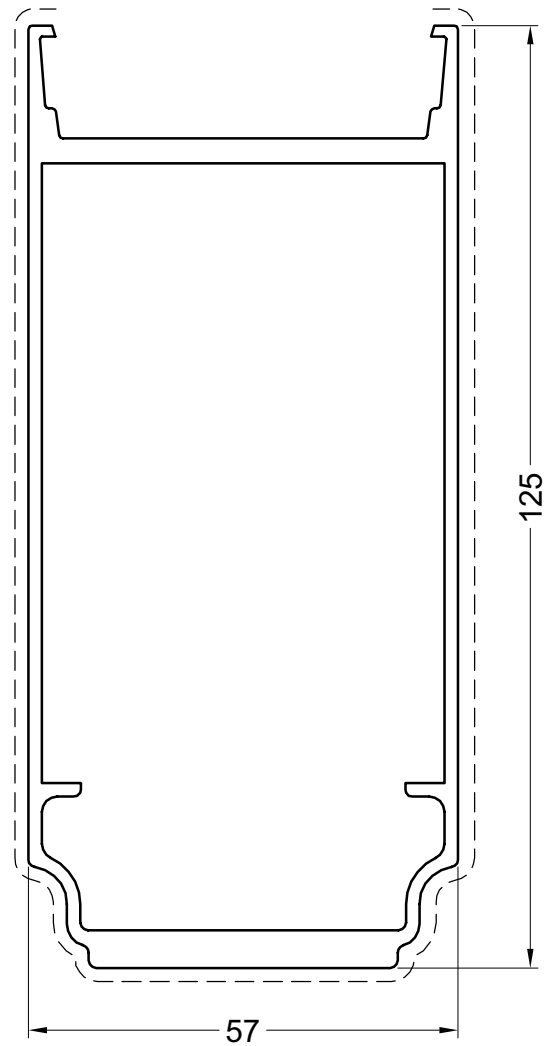


paga01a

VR2011



VR2011V



paga02

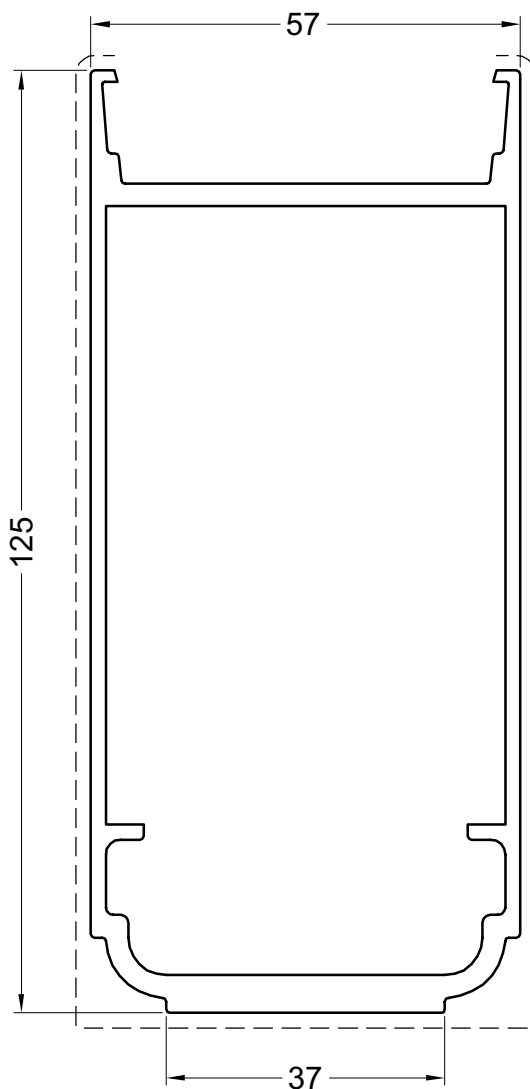
Primaire zichtbare zijde
Face visible primaire
Primär sichtbare Seite
Primary visible side

Secundaire zichtbare zijde
Face visible secondaire
Secondär sichtbare Seite
Secondary visible side

22/5/07

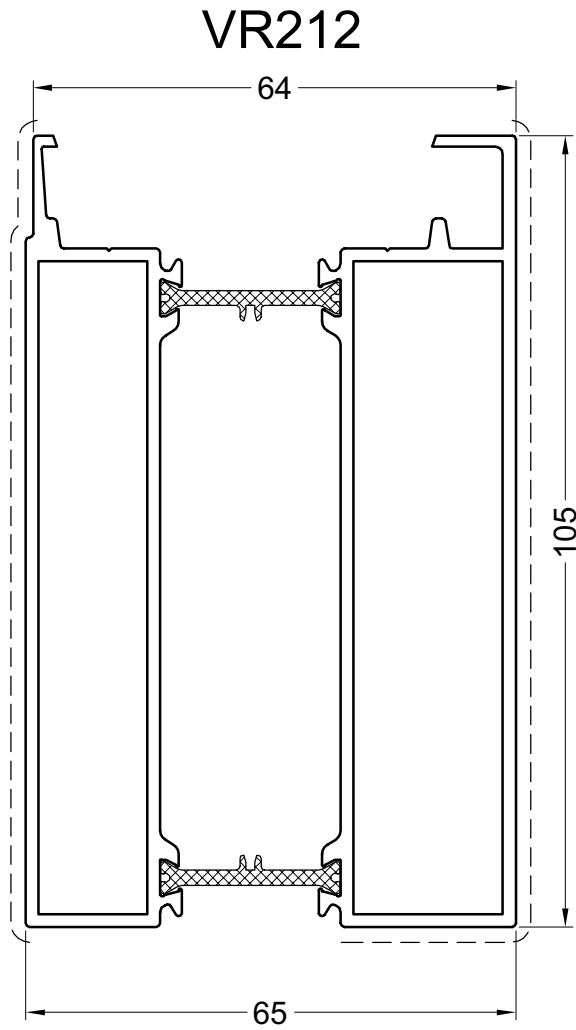
25

VR2011B



ZIJLIGGERS
CHEVRONS LATÉRALE
SEITENTRAGERS
ROOF BEAMS SIDE

PROFIELEN - PROFILS- PROFILE - PROFILES

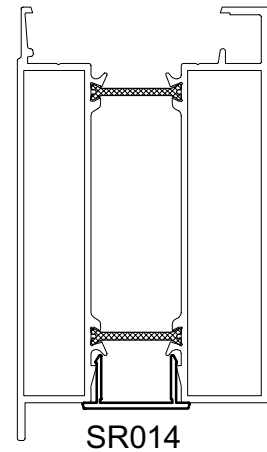
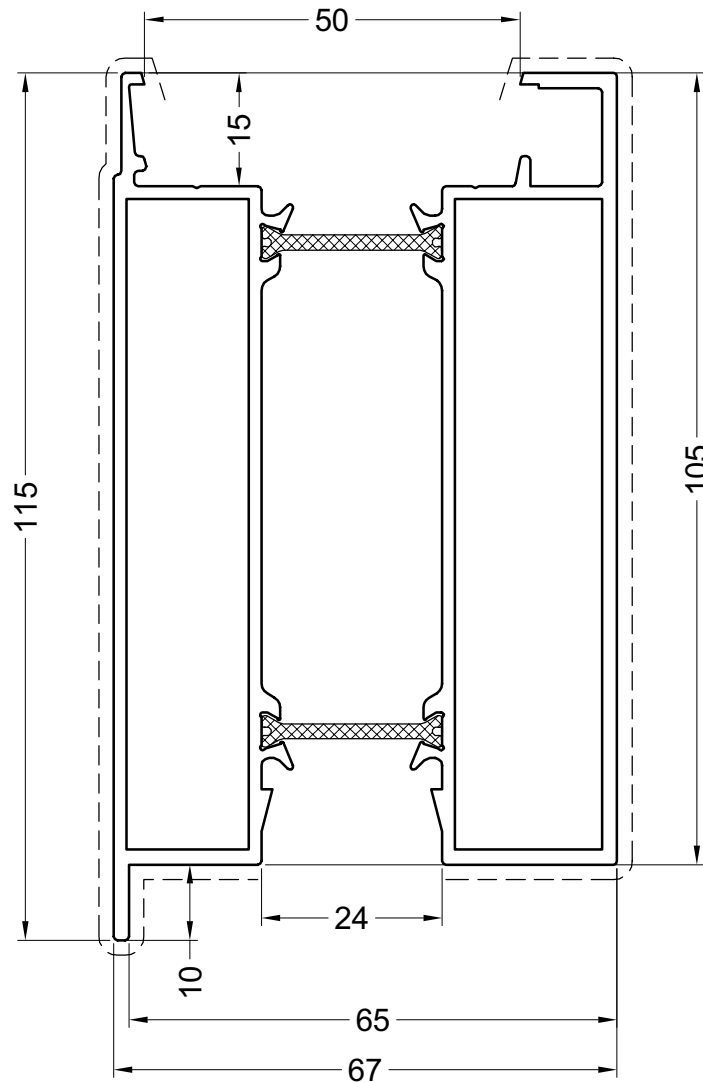


paga03a

Primaire zichtbare zijde
Face visible primaire
Primär sichtbare Seite
Primary visible side

Secundaire zichtbare zijde
Face visible secondaire
Secondär sichtbare Seite
Secondary visible side

VR2612

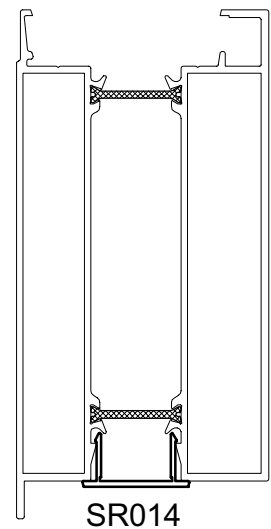
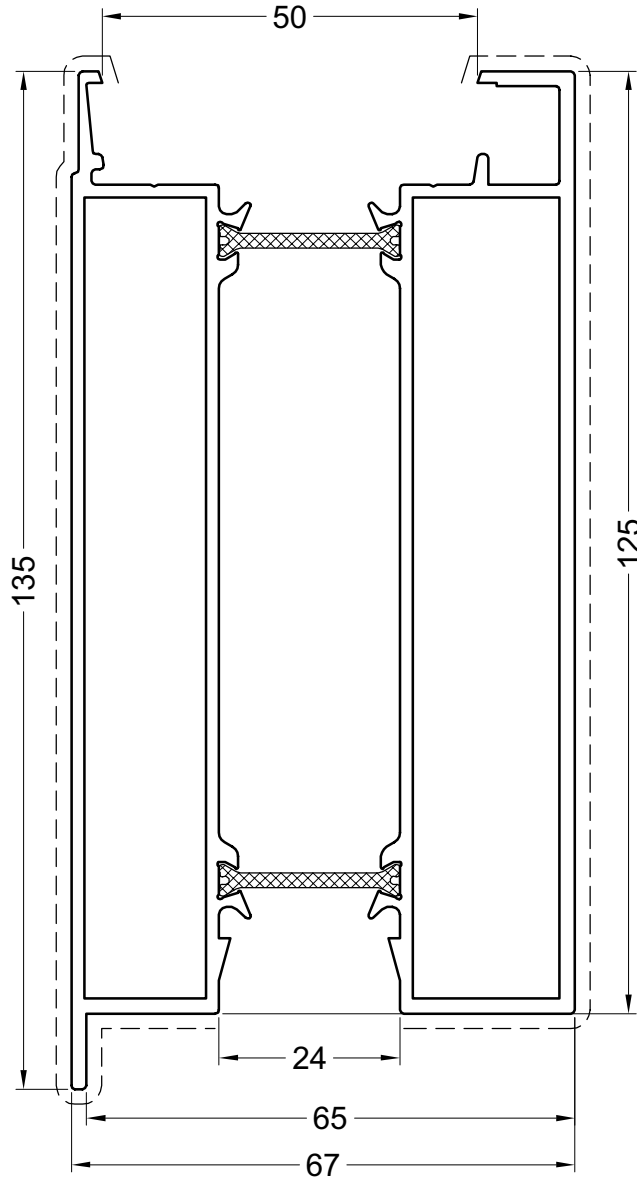


paga29

ZIJLIGGERS
CHEVRONS LATÉRALE
SEITENTRAGERS
ROOF BEAMS SIDE

PROFIELEN - PROFILS- PROFILE - PROFILES

VR2613

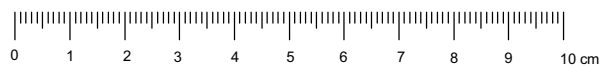
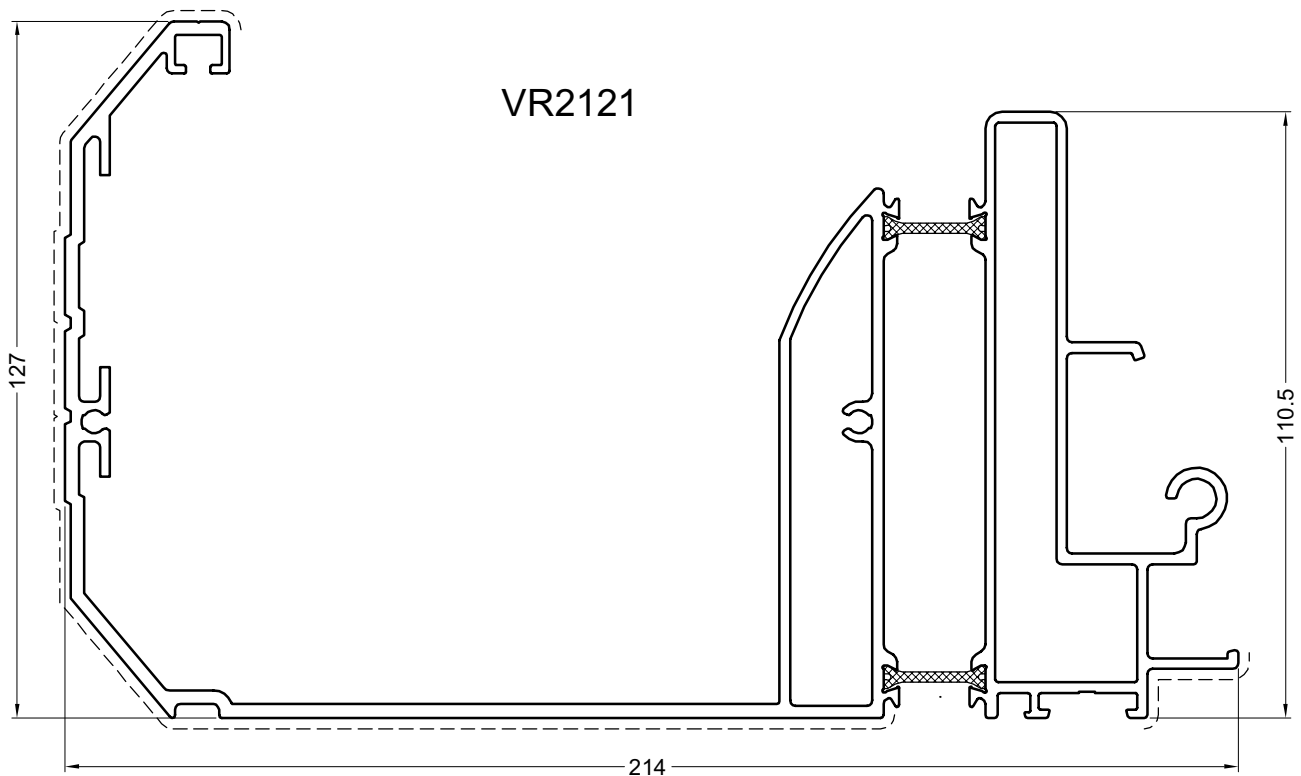
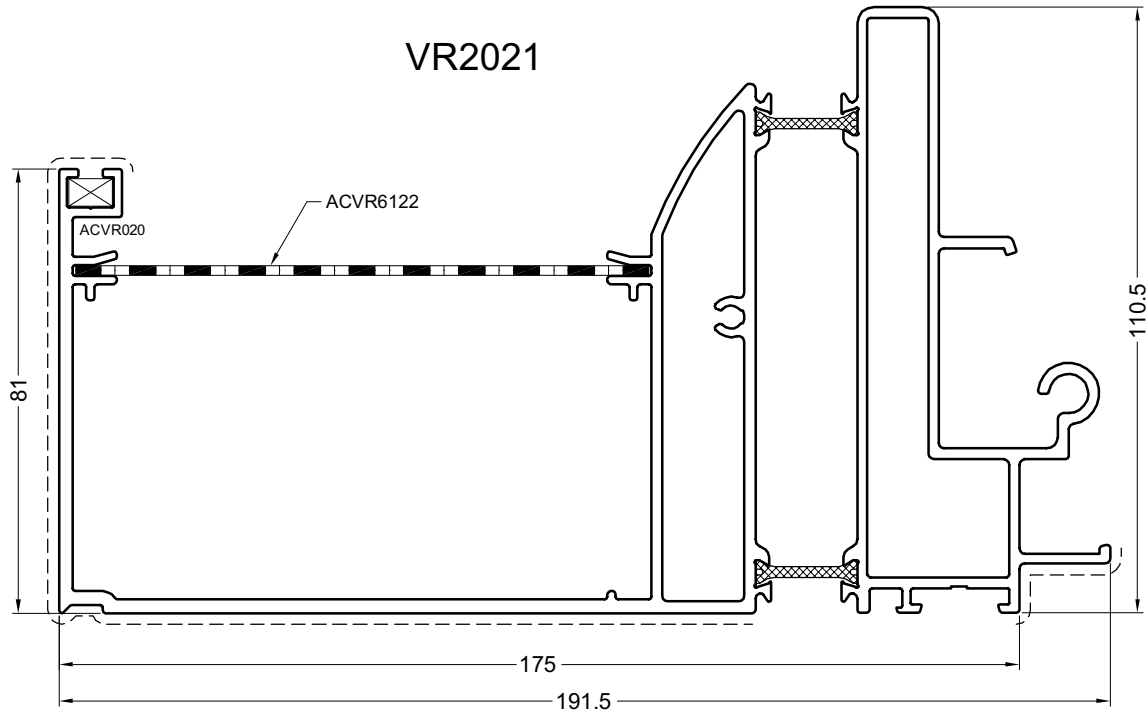


paga30

Primaire zichtbare zijde
Face visible primaire
Primär sichtbare Seite
Primary visible side

Secundaire zichtbare zijde
Face visible secondaire
Secondär sichtbare Seite
Secondary visible side

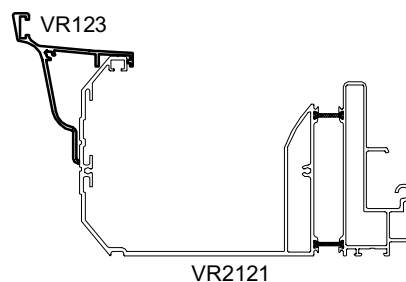
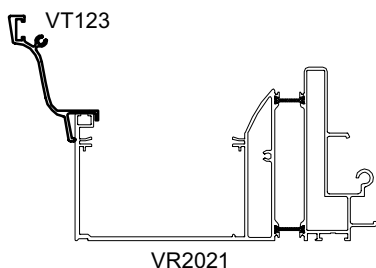
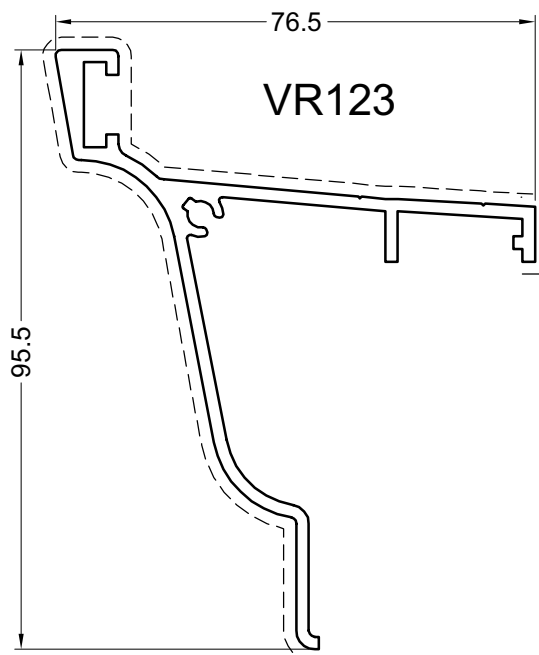
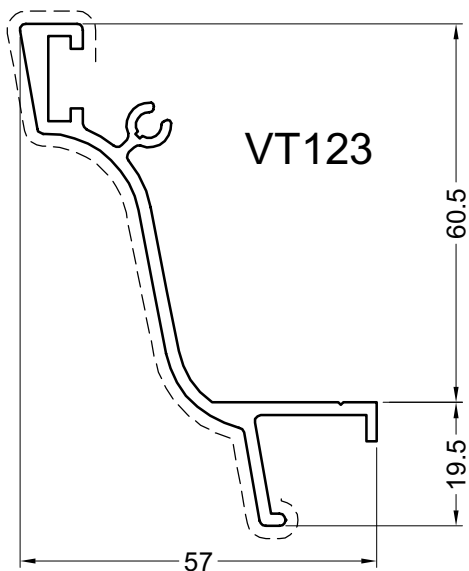
22/5/07



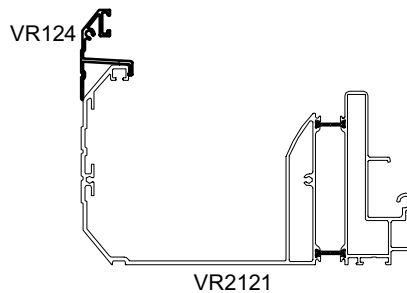
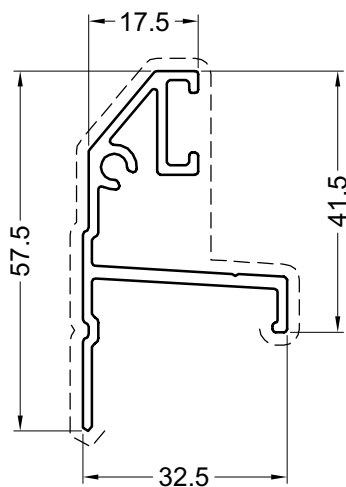
paga05

VERHOOGSTUKKEN GOTEN
REHAUSSES GOUITTIERES
ERHOHUNG RINNEN
PLATFORMS FOR GUTTERS

PROFIELEN - PROFILS- PROFILE - PROFILES



VR124



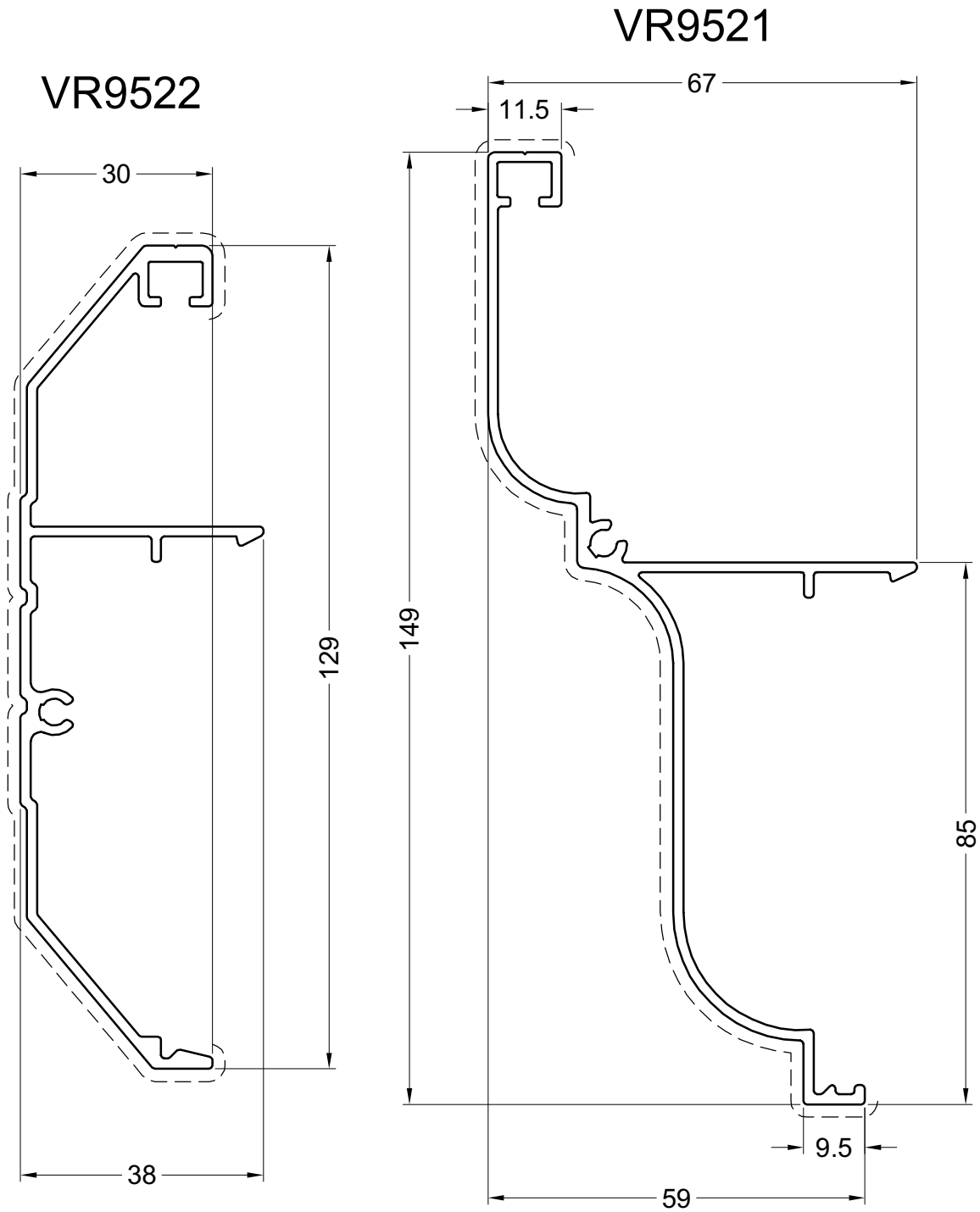
paga04

Primaire zichtbare zijde
Face visible primaire
Primär sichtbare Seite
Primary visible side

Secundaire zichtbare zijde
Face visible secondaire
Secondär sichtbare Seite
Secondary visible side

VERHOOGSTUKKEN GOTEN
REHAUSSES GOUTTIERES
ERHOHUNG RINNEN
PLATFORMS FOR GUTTERS

PROFIELEN - PROFILS - PROFILE - PROFILES

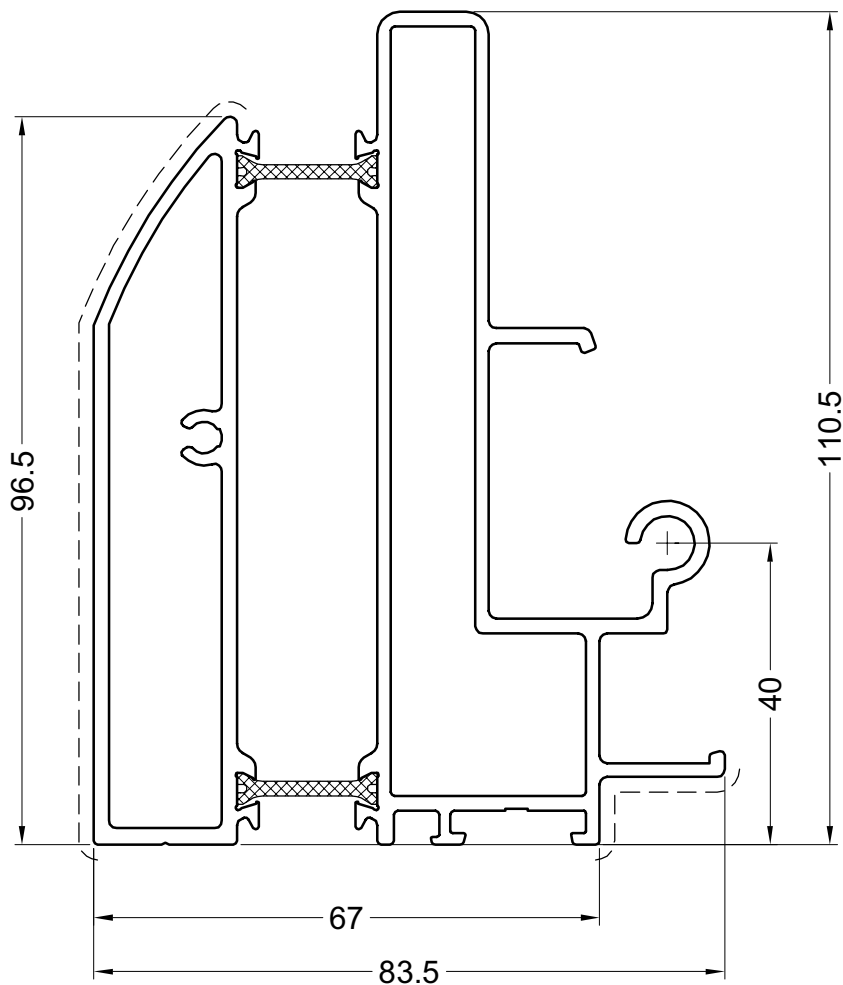


paga33

BASISPROFIEL VOOR SCHARNIER
PROFIL DE BASE POUR PROFIL DE CHARNIERE
BASISPROFIL FÜR SCHARNIERPROFIL
BASIC PROFILE FOR HINGE

PROFIELEN - PROFILS- PROFILE - PROFILES

VR2022



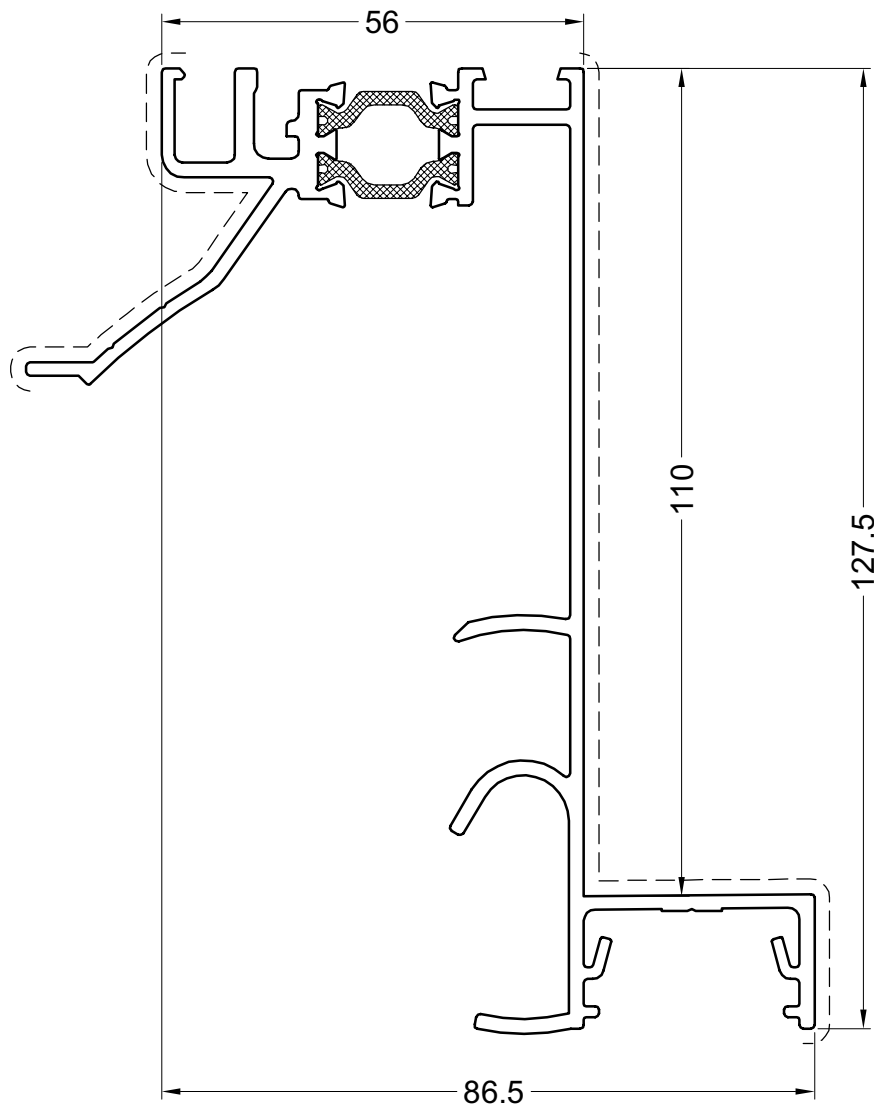
paga32

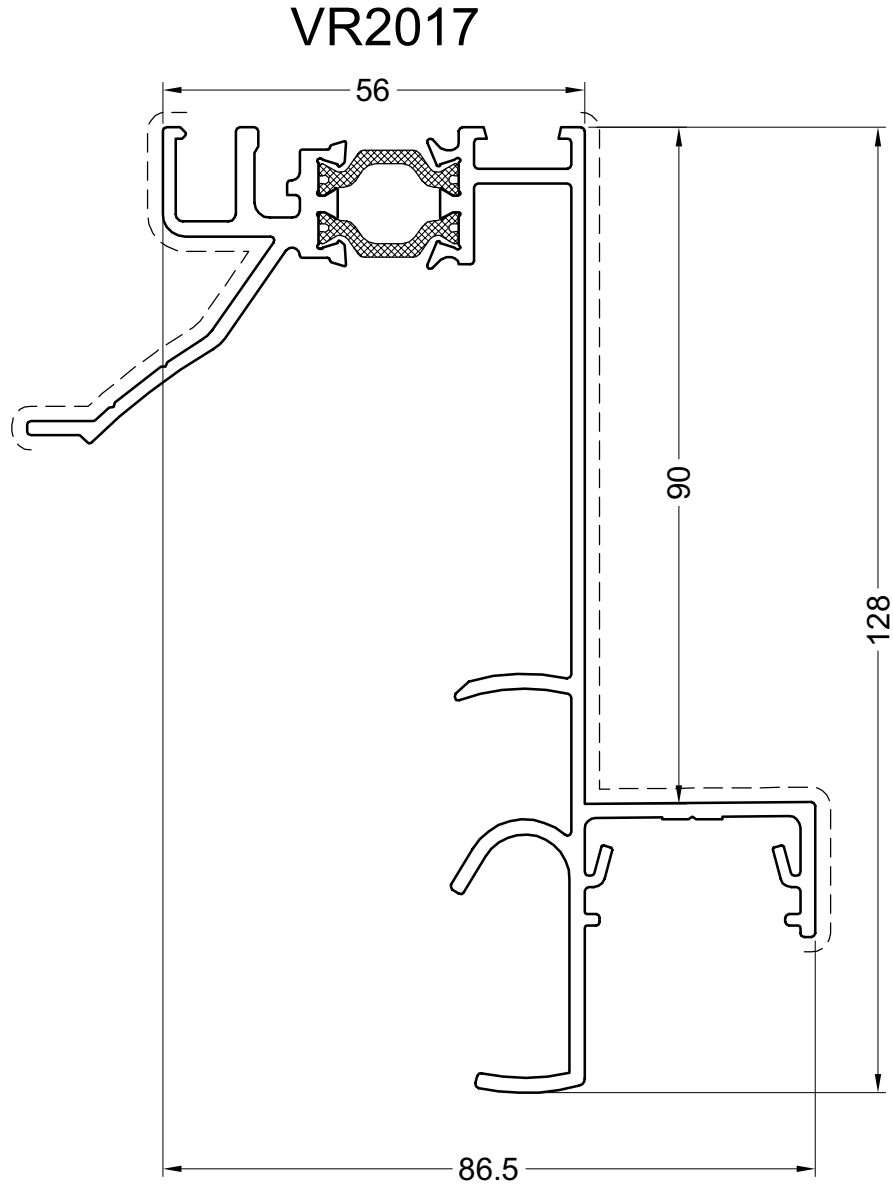
Primaire zichtbare zijde
Face visible primaire
Primär sichtbare Seite
Primary visible side

Secundaire zichtbare zijde
Face visible secondaire
Secondär sichtbare Seite
Secondary visible side

22/5/07

VR2016





paga07

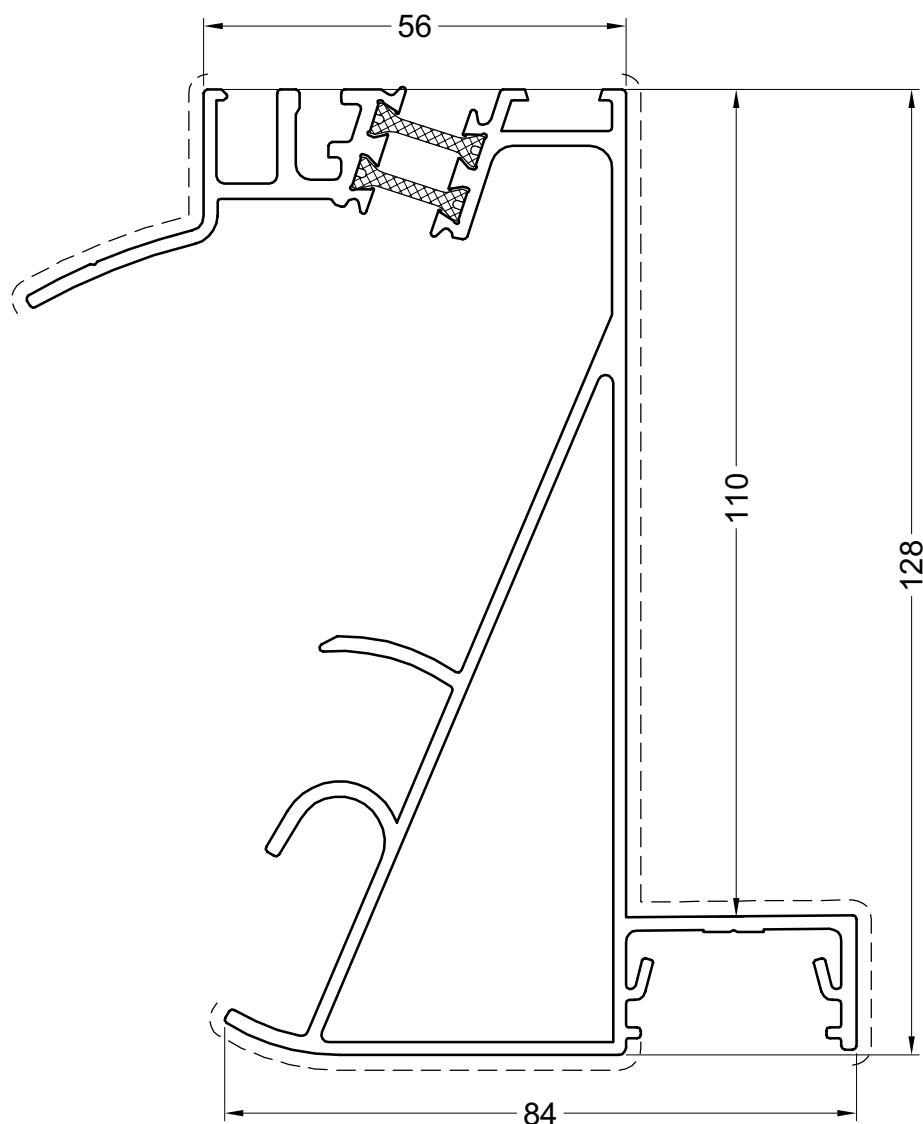
Primaire zichtbare zijde
Face visible primaire
Primär sichtbare Seite
Primary visible side

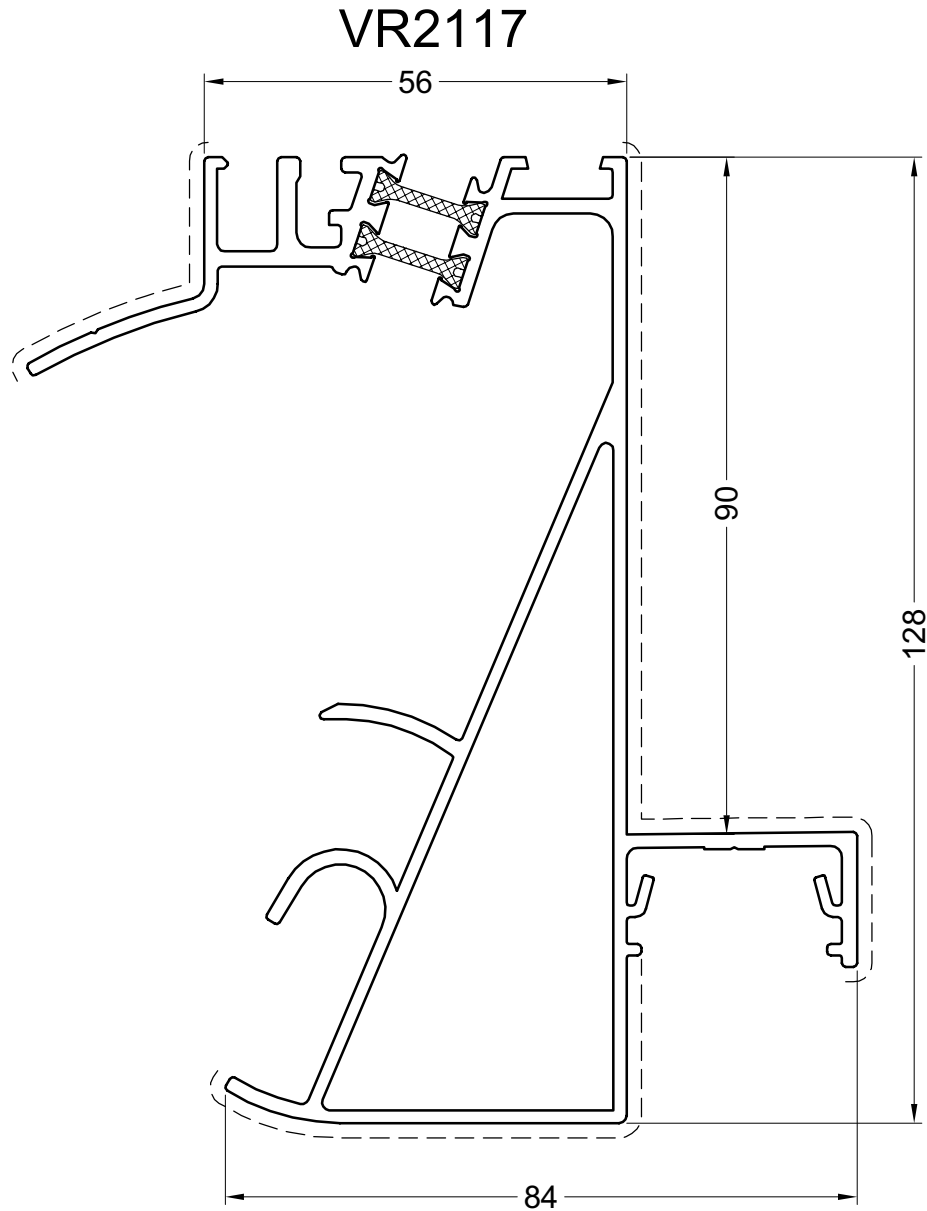
Secundaire zichtbare zijde
Face visible secondaire
Secondär sichtbare Seite
Secondary visible side

22/5/07

35

VR2116





paga09

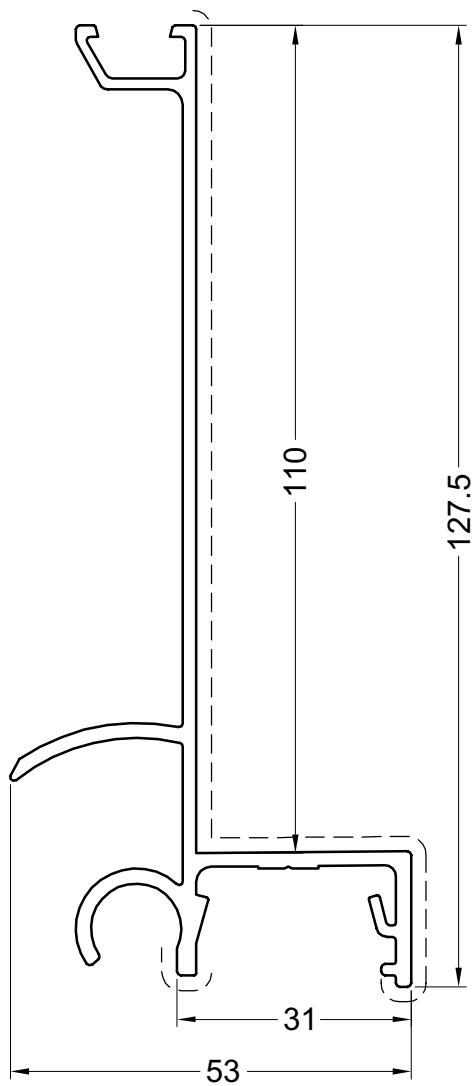
Primaire zichtbare zijde
Face visible primaire
Primär sichtbare Seite
Primary visible side

Secundaire zichtbare zijde
Face visible secondaire
Secondär sichtbare Seite
Secondary visible side

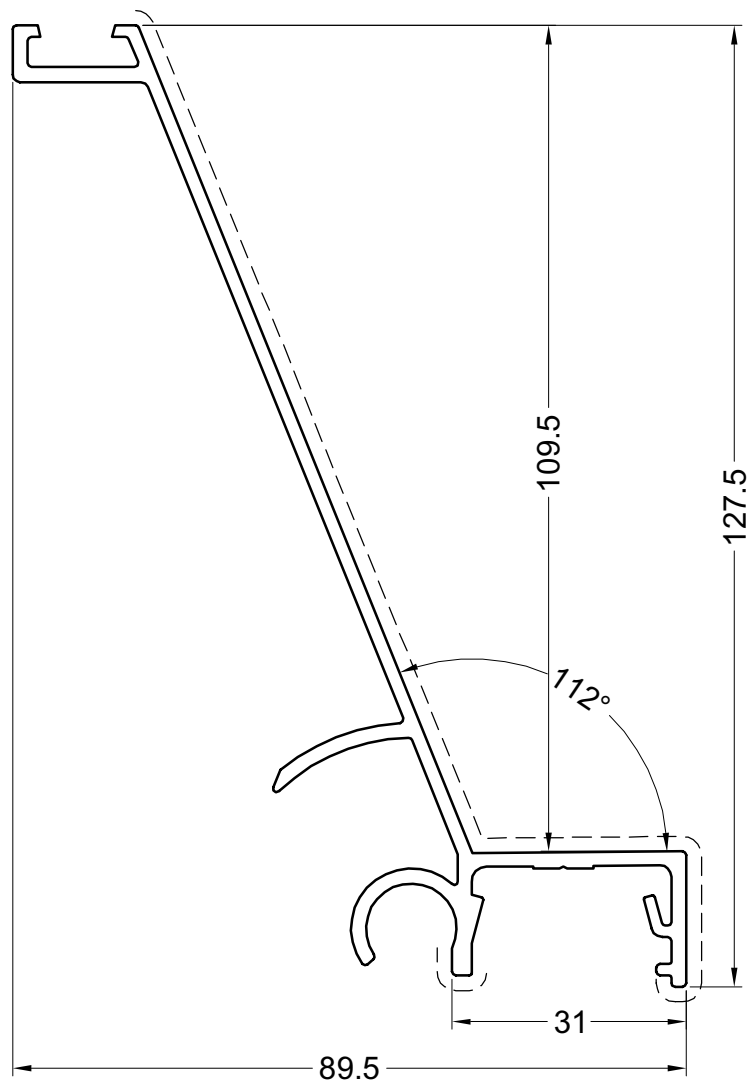
22/5/07

37

VR2216

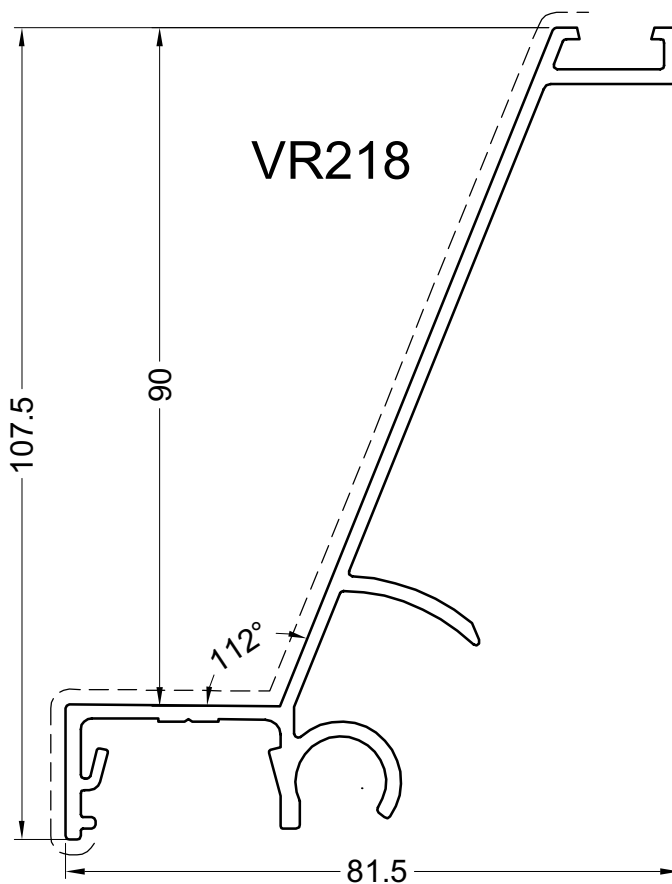
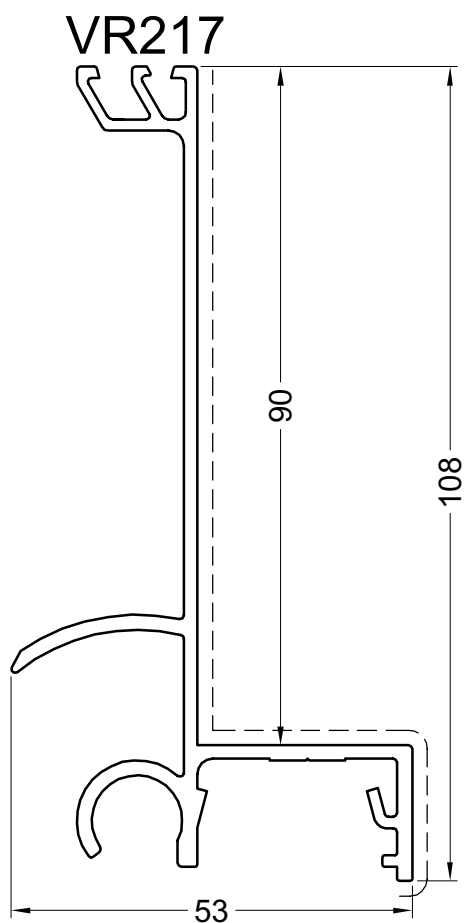


VR2217



SCHARNIERPROFILEN
PROFILS CHARNIERE
SCHARNIERPROFILIEN
HINGE PROFILES

PROFIELEN - PROFILS- PROFILE - PROFILES



paga11

Primaire zichtbare zijde
Face visible primaire
Primär sichtbare Seite
Primary visible side

Secundaire zichtbare zijde
Face visible secondaire
Secondär sichtbare Seite
Secondary visible side

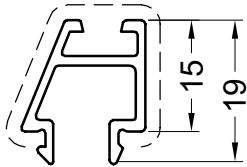
22/5/07

39

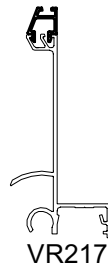
VERHOOGPROFIELEN
PROFILS DE REHAUSSEMENT
ERHOHUNGSPROFIELEN
RAISE-PROFILES

PROFIELEN - PROFILS - PROFILE - PROFILES

VR565

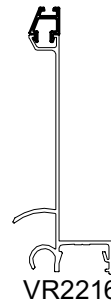


VR565



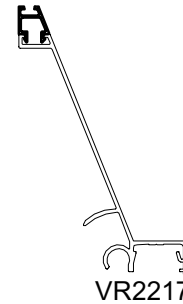
VR217

VR565



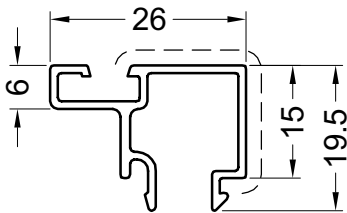
VR2216

VR565

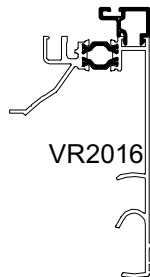


VR2217

VR566

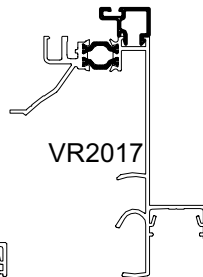


VR566



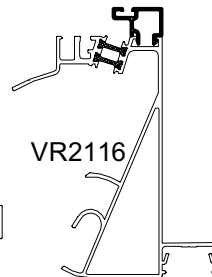
VR2016

VR566



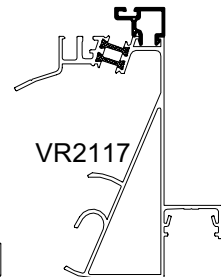
VR2017

VR566



VR2116

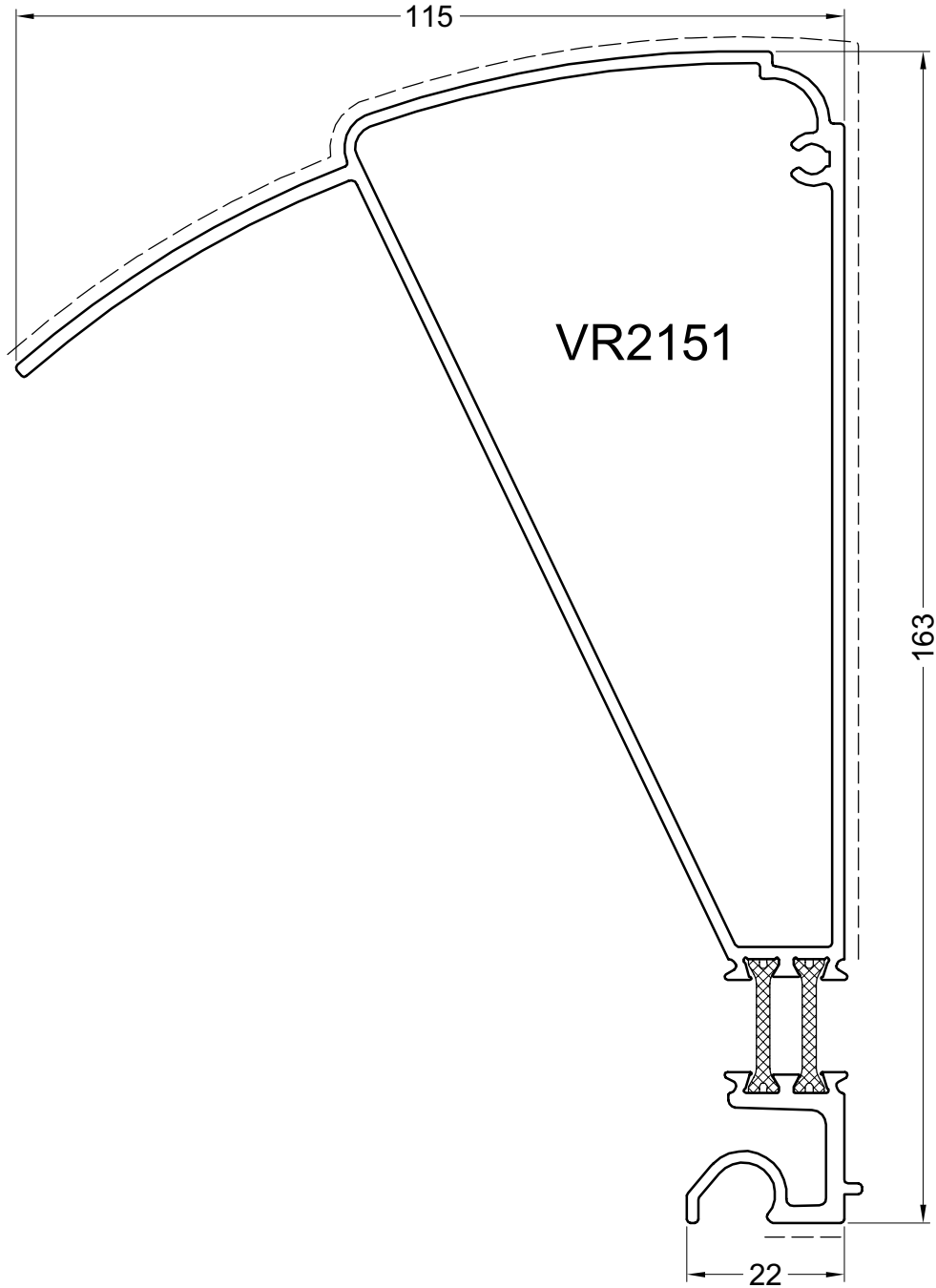
VR566



VR2117

VARIABLE HOEKPROFIELEN
ANGLES VARIABLE
VARIABLE ECKPROFIELEN
VARIABLE CORNERPROFILES

PROFIELEN - PROFILS- PROFILE - PROFILES



paga40

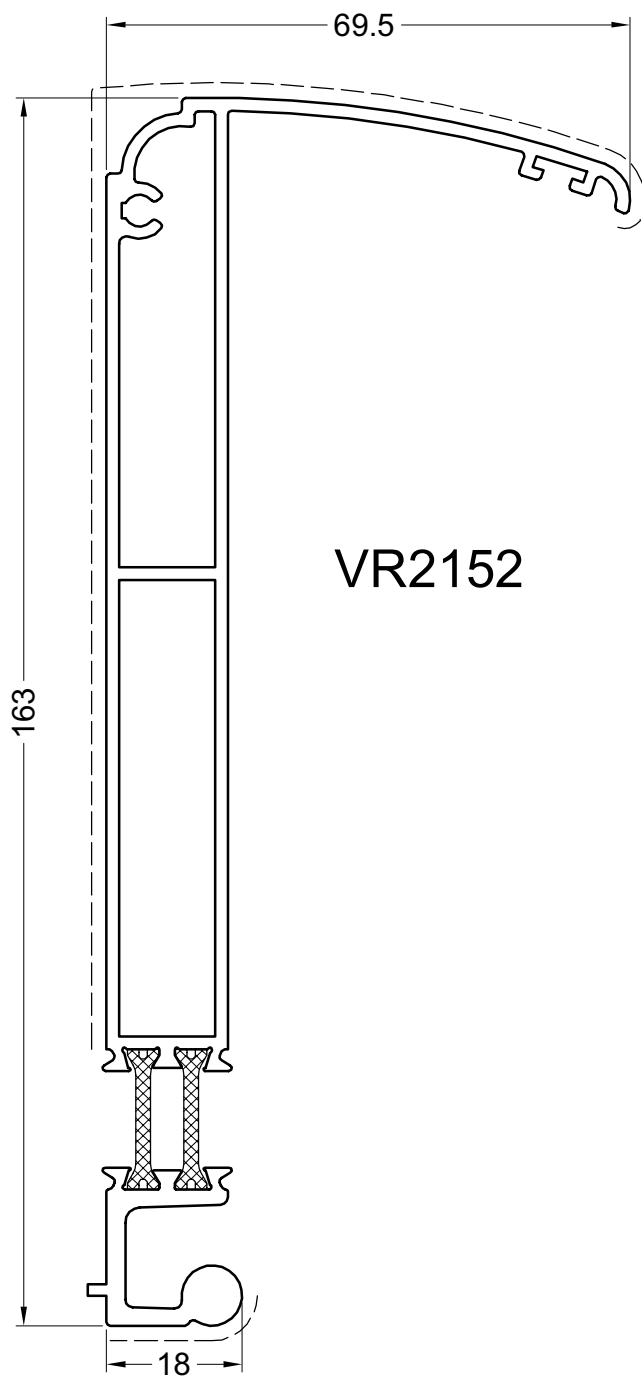
Primaire zichtbare zijde
Face visible primaire
Primär sichtbare Seite
Primary visible side

Secundaire zichtbare zijde
Face visible secondaire
Secondär sichtbare Seite
Secondary visible side

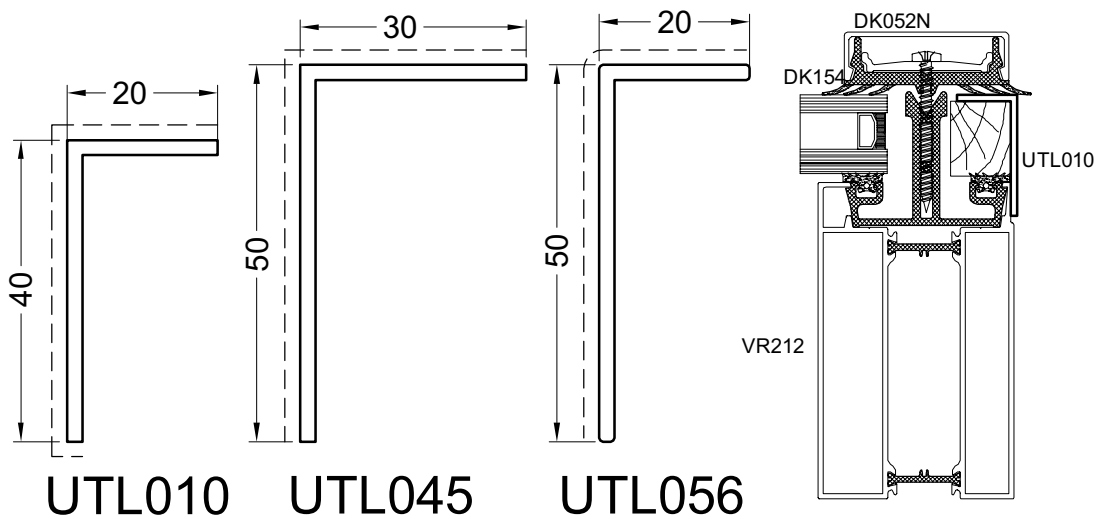
22/5/07

VARIABLE HOEKPROFIELEN
ANGLES VARIABLE
VARIABLE ECKPROFIELEN
VARIABLE CORNERPROFILES

PROFIELEN - PROFILS- PROFILE - PROFILES



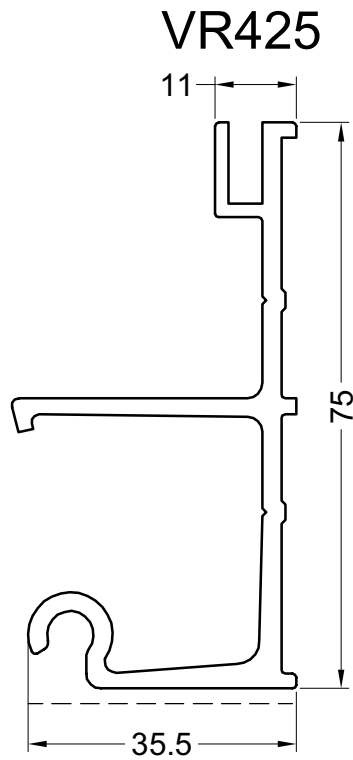
paga41



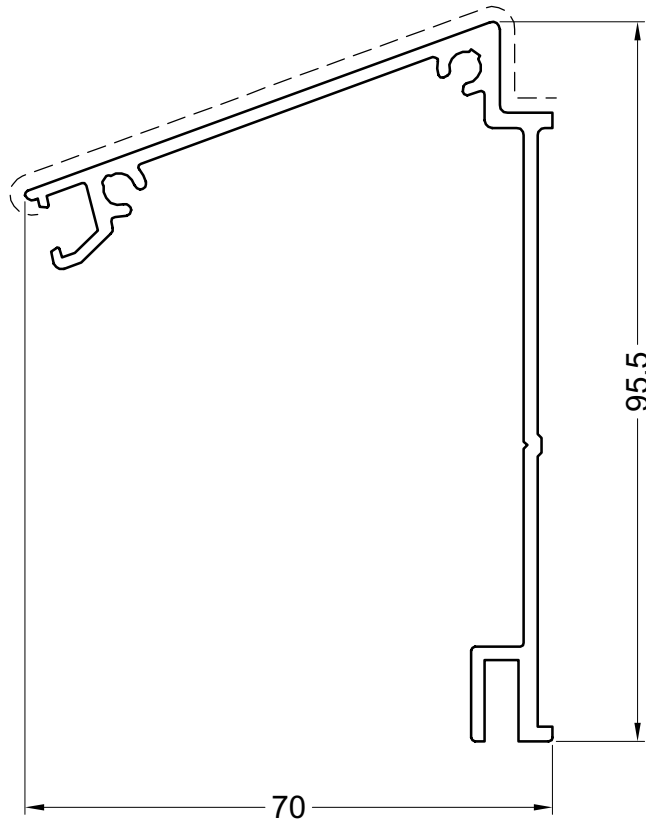
paga20a

Primaire zichtbare zijde
Face visible primaire
Primär sichtbare Seite
Primary visible side

Secundaire zichtbare zijde
Face visible secondaire
Secondär sichtbare Seite
Secondary visible side



VR426



paga26

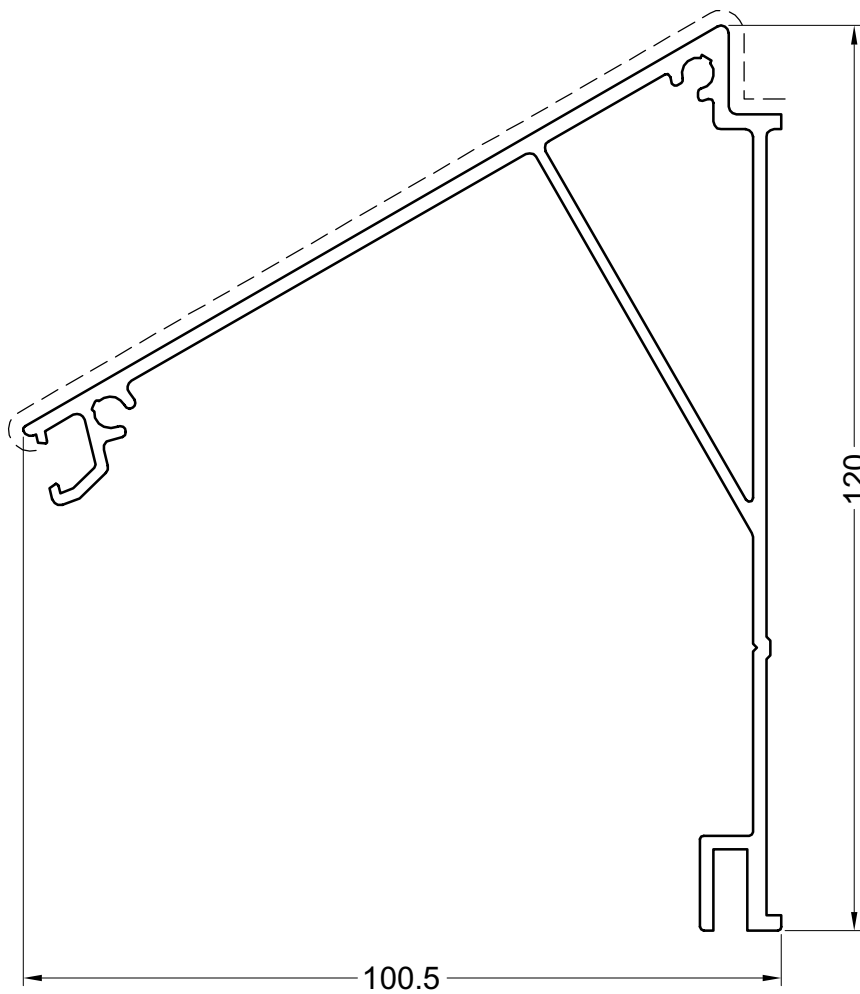
Primaire zichtbare zijde
Face visible primaire
Primär sichtbare Seite
Primary visible side

Secundaire zichtbare zijde
Face visible secondaire
Secondär sichtbare Seite
Secondary visible side

BUITENDEEL MUURPROFIELEN
PROFILS EXTERIEUR MURAL
MAUERPROFIELEN AUSSEN
WALL PROFILES OUTSIDE

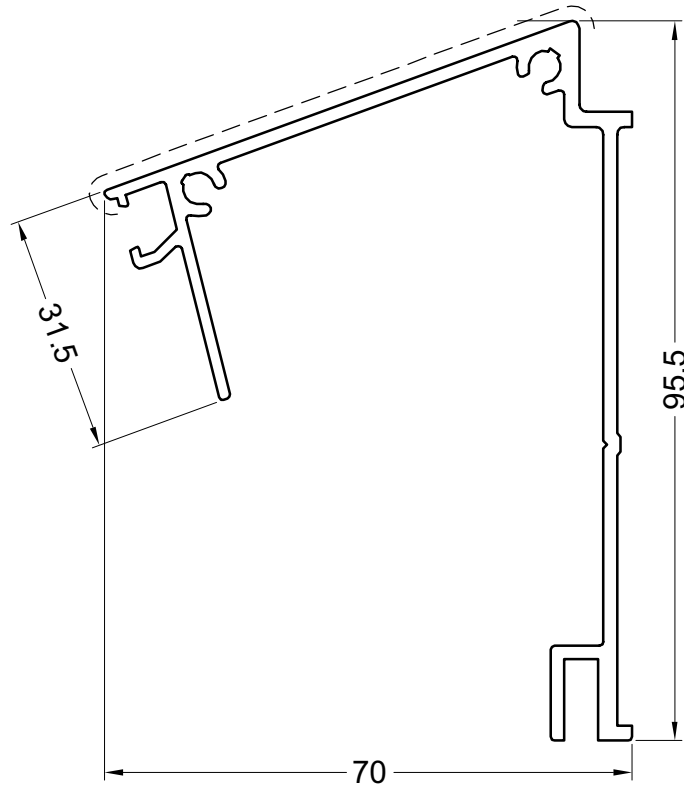
PROFIELEN - PROFILS - PROFILE - PROFILES

VR427



paga27

VR2426



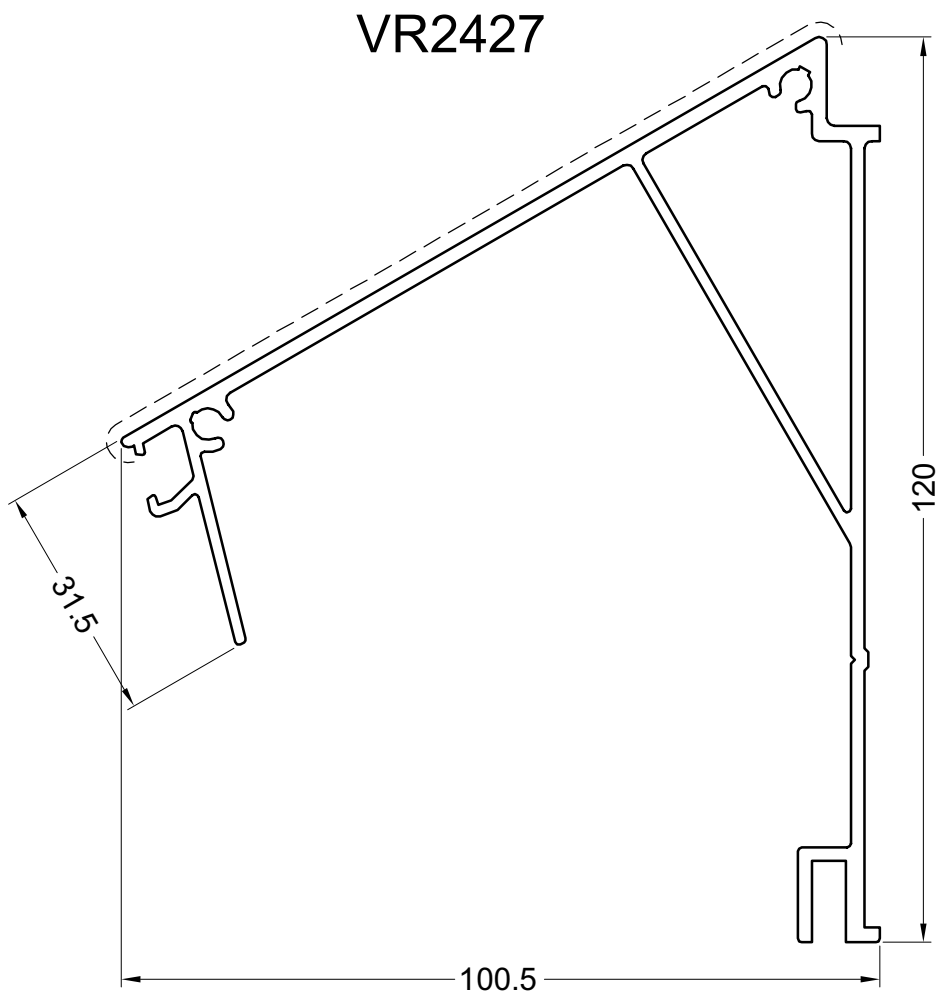
paga12a

Primaire zichtbare zijde
Face visible primaire
Primär sichtbare Seite
Primary visible side

Secundaire zichtbare zijde
Face visible secondaire
Secondär sichtbare Seite
Secondary visible side

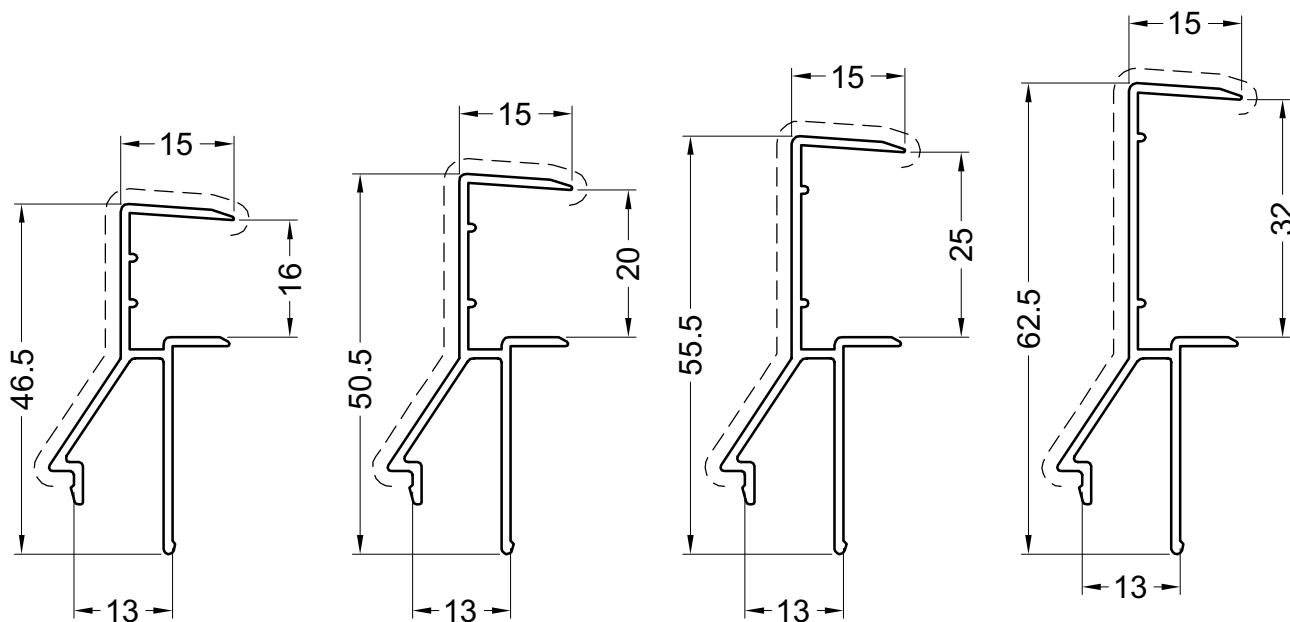
BUITENDEEL MUURPROFIELEN
PROFILS EXTERIEUR MURAL
MAUERPROFIELEN AUSSEN
WALL PROFILES OUTSIDE

PROFIELEN - PROFILS - PROFILE - PROFILES



POLYCARBONAATPROFIELEN
PROFILS POLYCARBONATE
FALZLEISTENPROFIELEN
POLYCARBONATE PROFILES

PROFIELEN - PROFILS- PROFILE - PROFILES



VR1040

VR1042

VR1043

VR1041

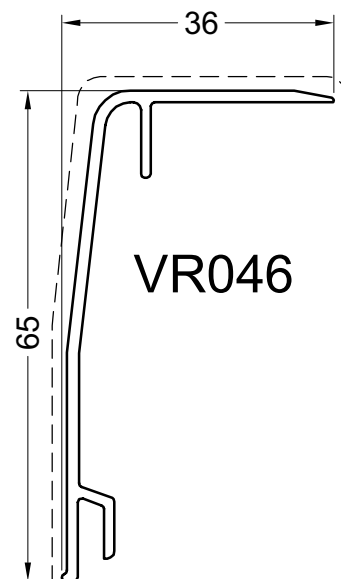
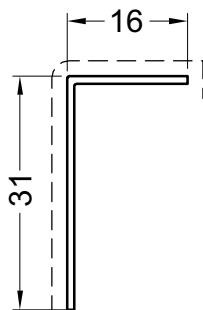
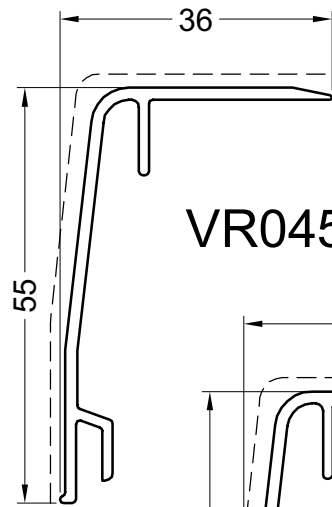
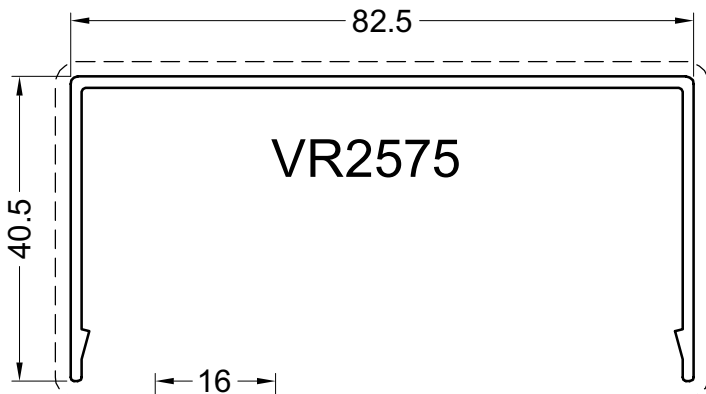
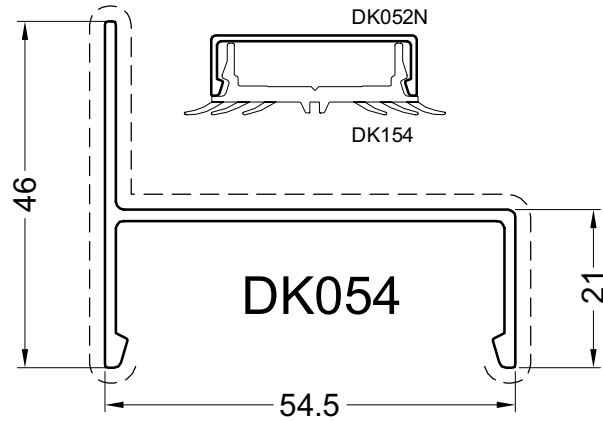
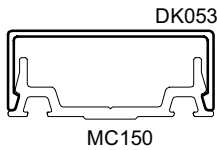
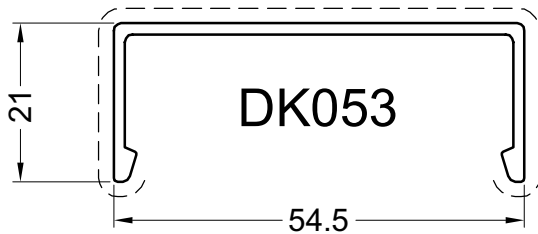
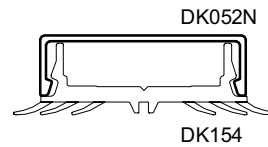
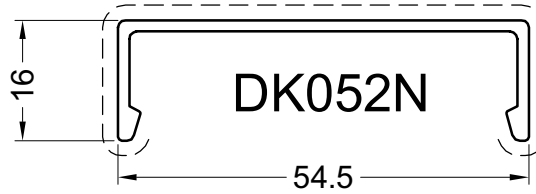
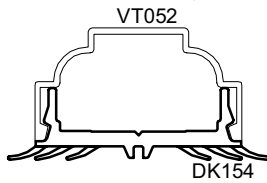
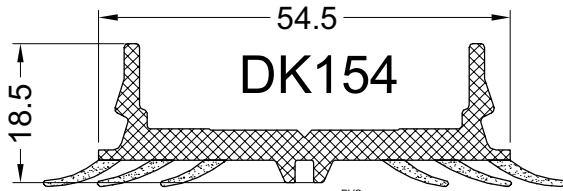
paga14a

Primaire zichtbare zijde
Face visible primaire
Primär sichtbare Seite
Primary visible side

Secundaire zichtbare zijde
Face visible secondaire
Secondär sichtbare Seite
Secondary visible side

DEKPROFIELEN
PROFILS COUVERTURE
ABDECKPROFIELEN
COVERPROFILES

PROFIELEN - PROFILS - PROFILE - PROFILES



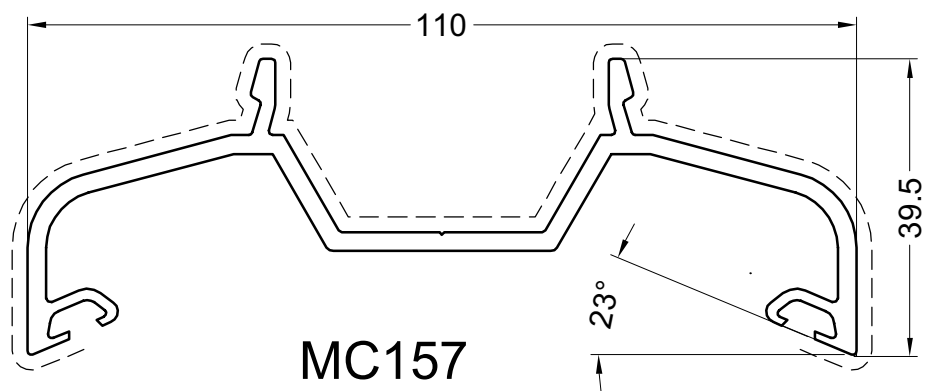
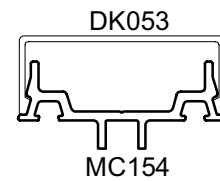
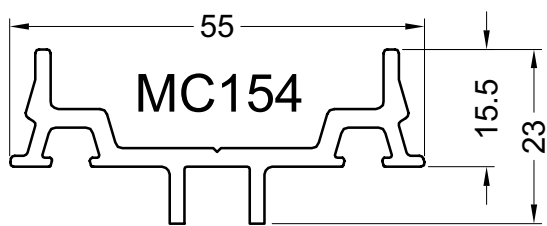
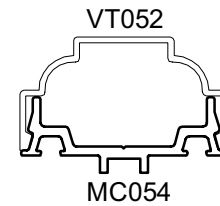
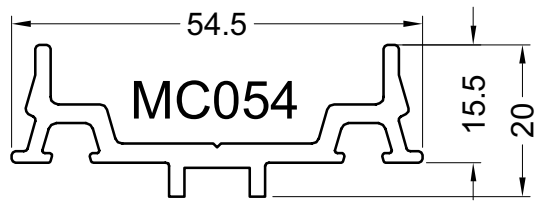
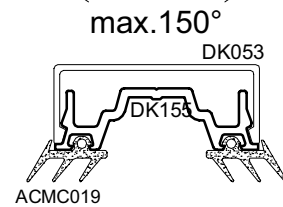
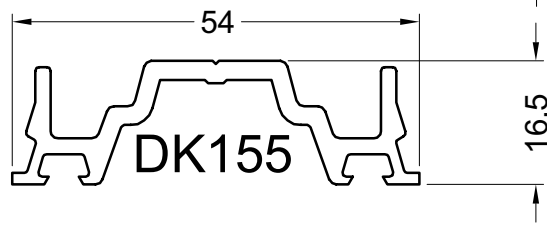
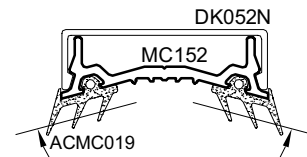
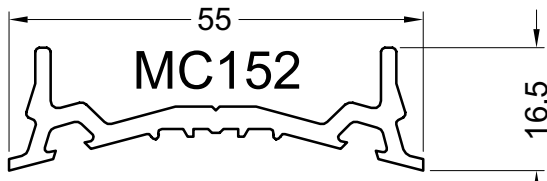
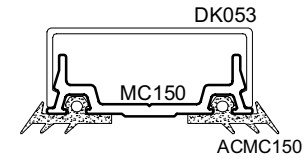
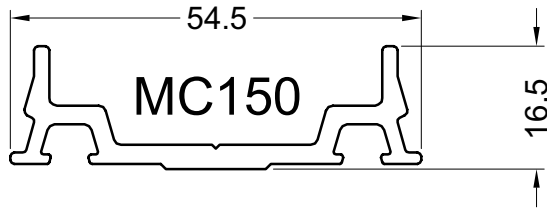
VR042

VR045

VR046

KLEMLATTEN
SUPPORTS
TRAGERS
SUB-PROFILES

PROFIELEN - PROFILS- PROFILE - PROFILES



paga16

Primaire zichtbare zijde
Face visible primaire
Primär sichtbare Seite
Primary visible side

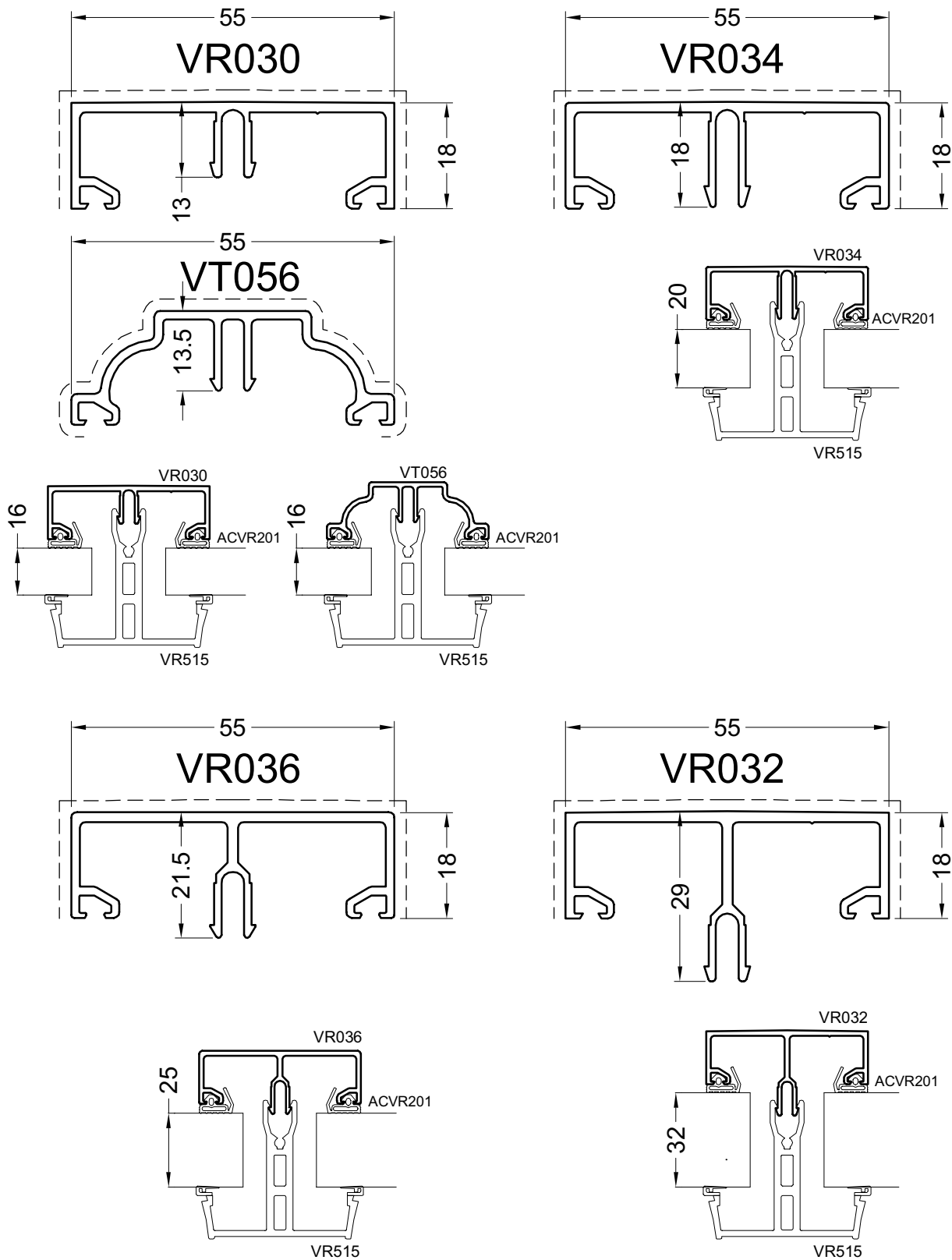
Secundaire zichtbare zijde
Face visible secondaire
Secondär sichtbare Seite
Secondary visible side

22/5/07

51

ALU KLIPS
CLIPS EN ALU
ALU KLIPSE
ALU GLAZING CAP

PROFIELEN - PROFILS - PROFILE - PROFILES



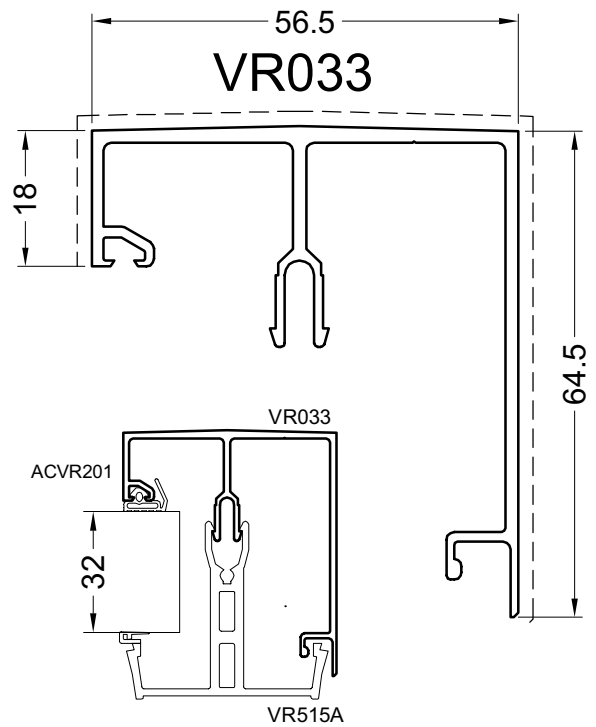
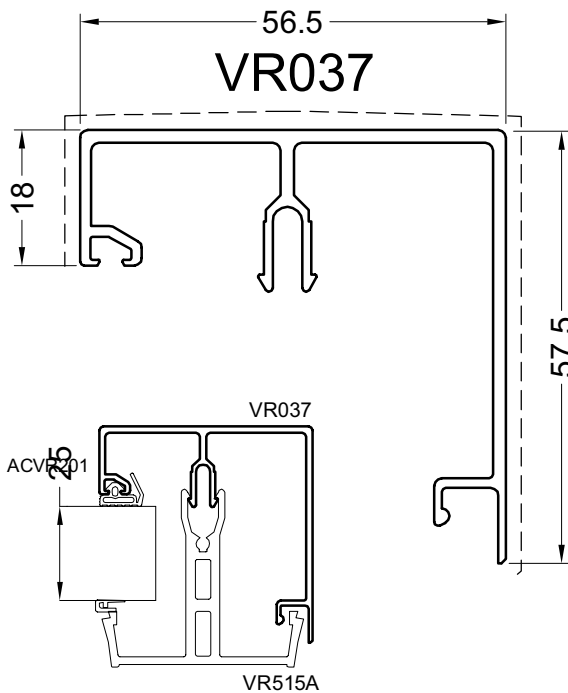
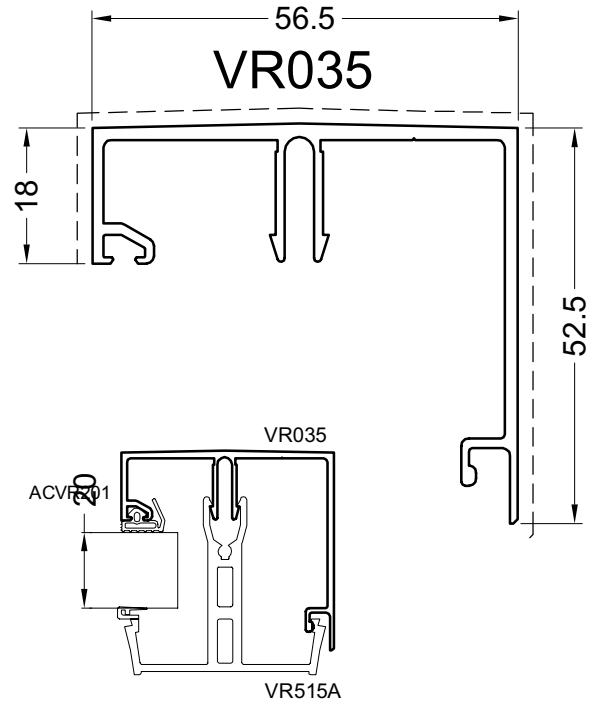
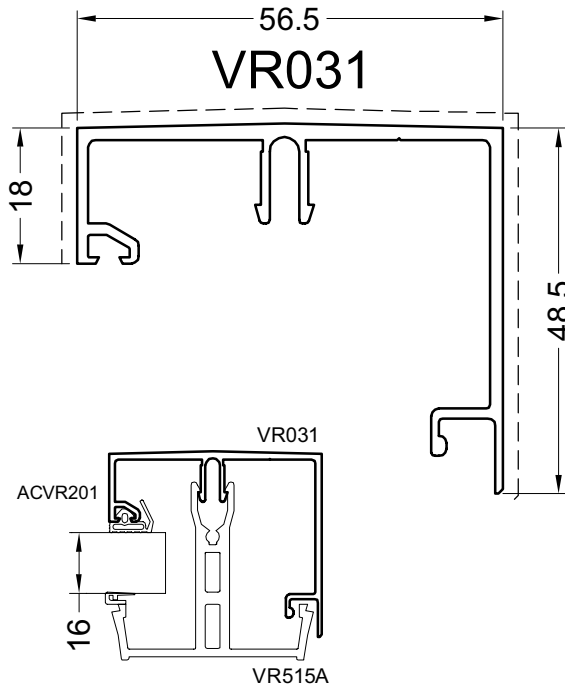
page17

Primaire zichtbare zijde
Face visible primaire
Primär sichtbare Seite
Primary visible side

Secundaire zichtbare zijde
Face visible secondaire
Secondär sichtbare Seite
Secondary visible side

ALU KLIPS
CLIPS EN ALU
ALU KLIPSE
ALU GLAZING CAPS

PROFIELEN - PROFILS- PROFILE - PROFILES



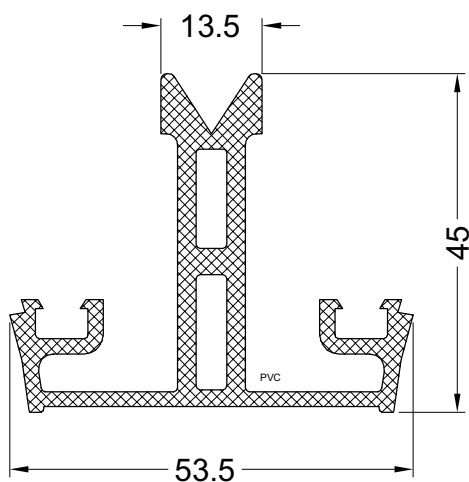
paga18

Primaire zichtbare zijde
Face visible primaire
Primär sichtbare Seite
Primary visible side

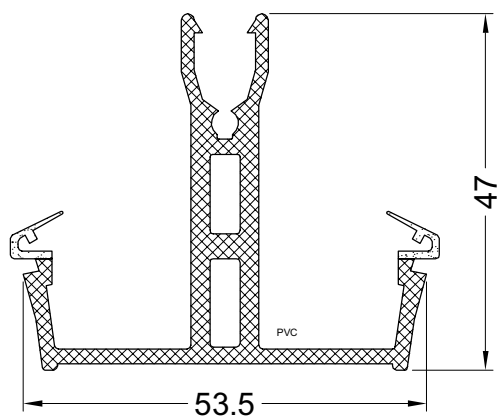
Secundaire zichtbare zijde
Face visible secondaire
Secondär sichtbare Seite
Secondary visible side

PVC KLIPS
CLIPSE EN PVC
PVC KLIPSE
PVC GLAZING

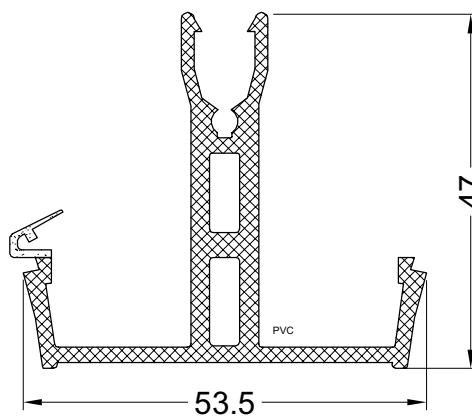
PROFIELEN - PROFILS - PROFILE - PROFILES



VR514



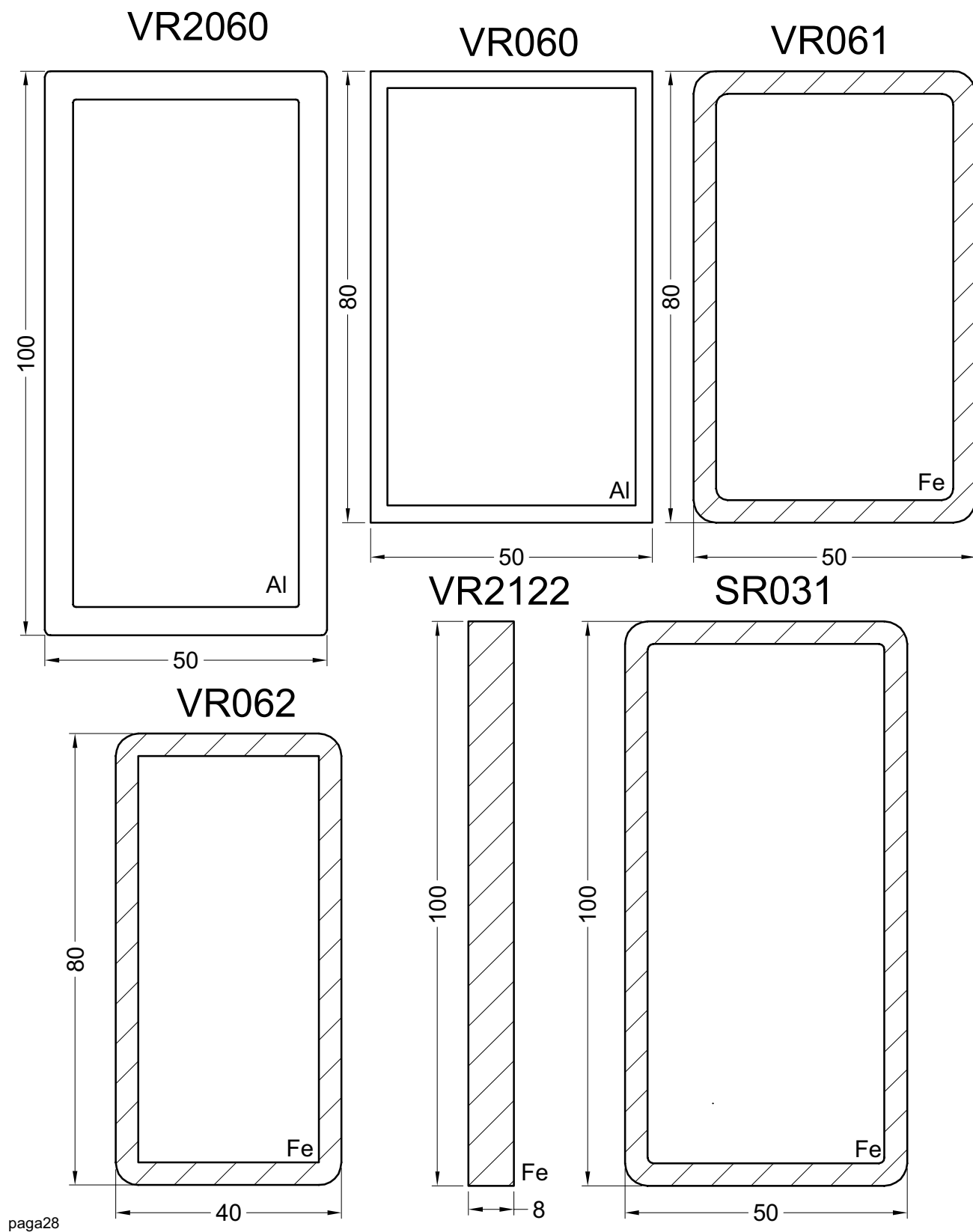
VR515



VR515A

VERSTEVIGINGSPROFIELEN
PROFILS DE REINFORCEMENT
VERSTÄRKUNGSPROFILIEN
STRENGTHENING PROFILES

PROFIELEN - PROFILS- PROFILE - PROFILES

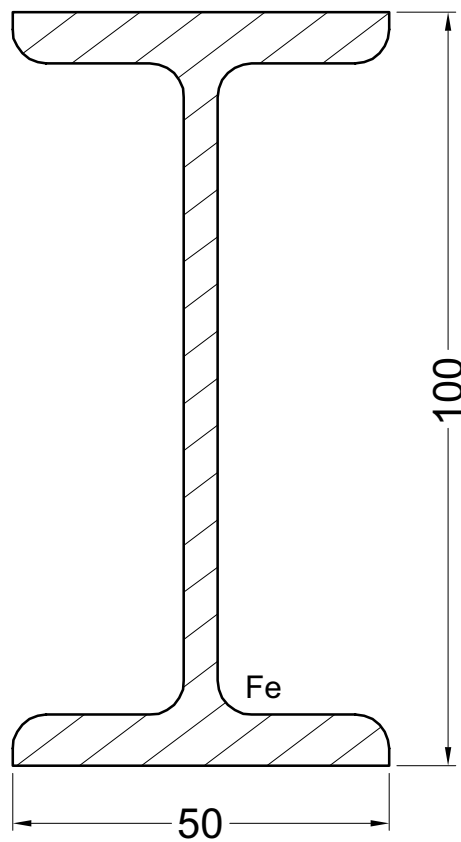


paga28

Primaire zichtbare zijde
Face visible primaire
Primär sichtbare Seite
Primary visible side

Secundaire zichtbare zijde
Face visible secondaire
Secondär sichtbare Seite
Secondary visible side

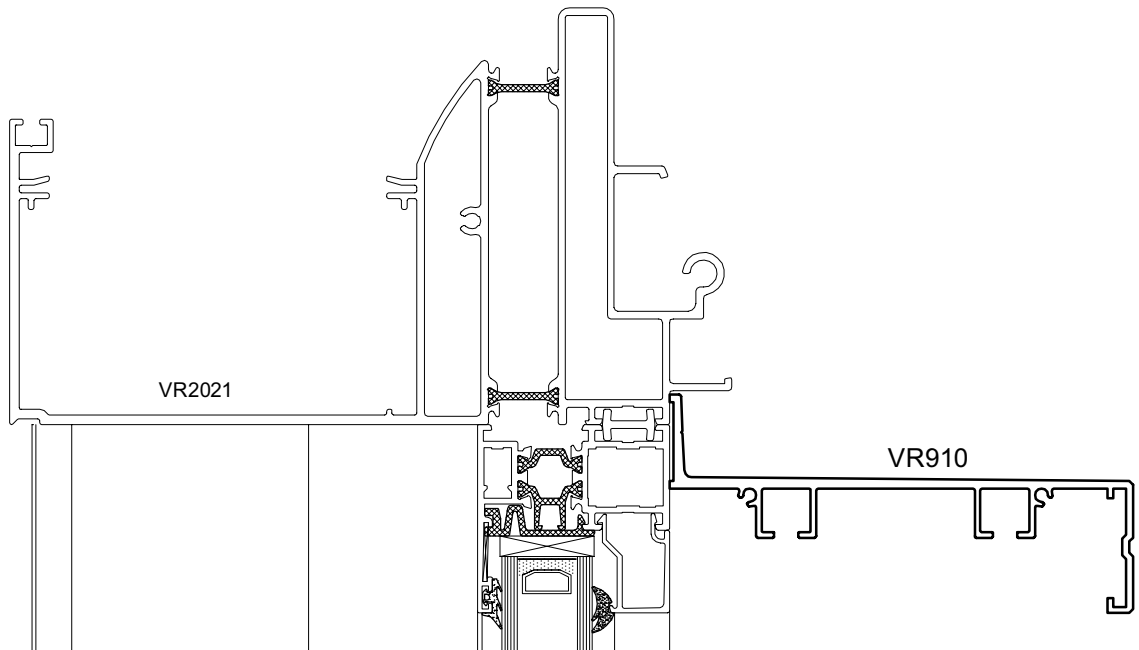
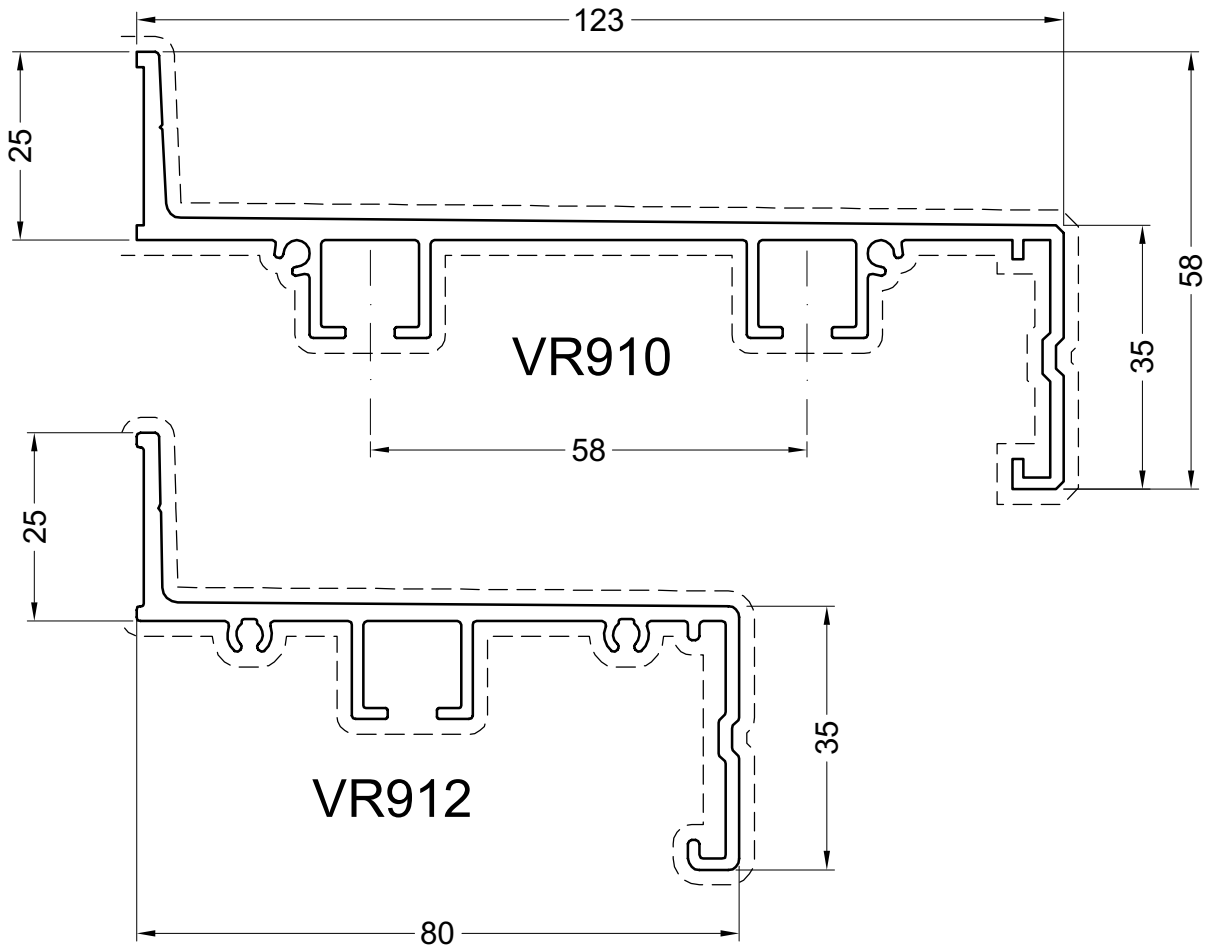
VR063



paga28b

GORDIJNRAILS
GLISSIERES
VORHANGSCHIENEN
CURTAIN-RAILS

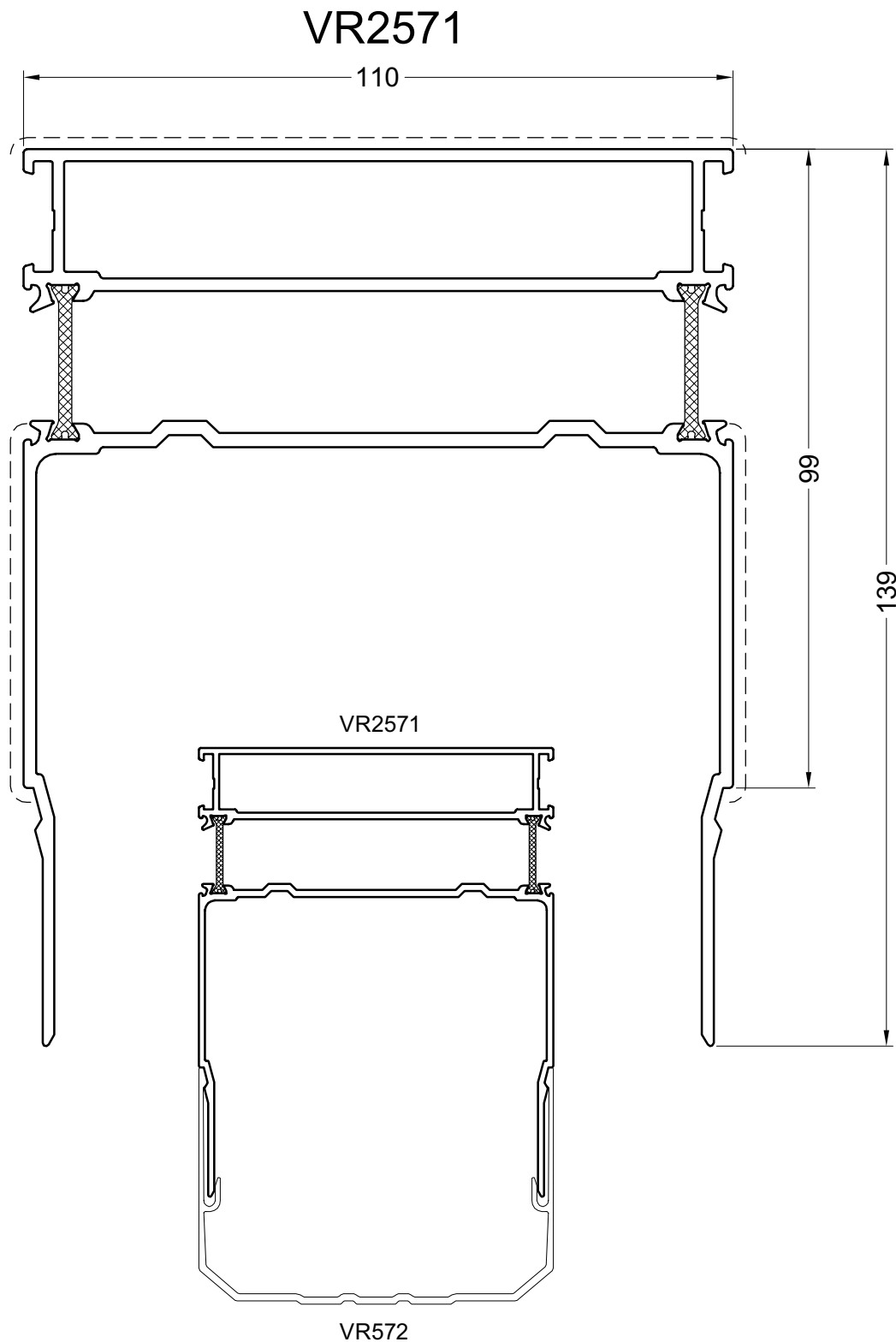
PROFIELEN - PROFILS- PROFILE - PROFILES



paga25

Primaire zichtbare zijde
Face visible primaire
Primär sichtbare Seite
Primary visible side

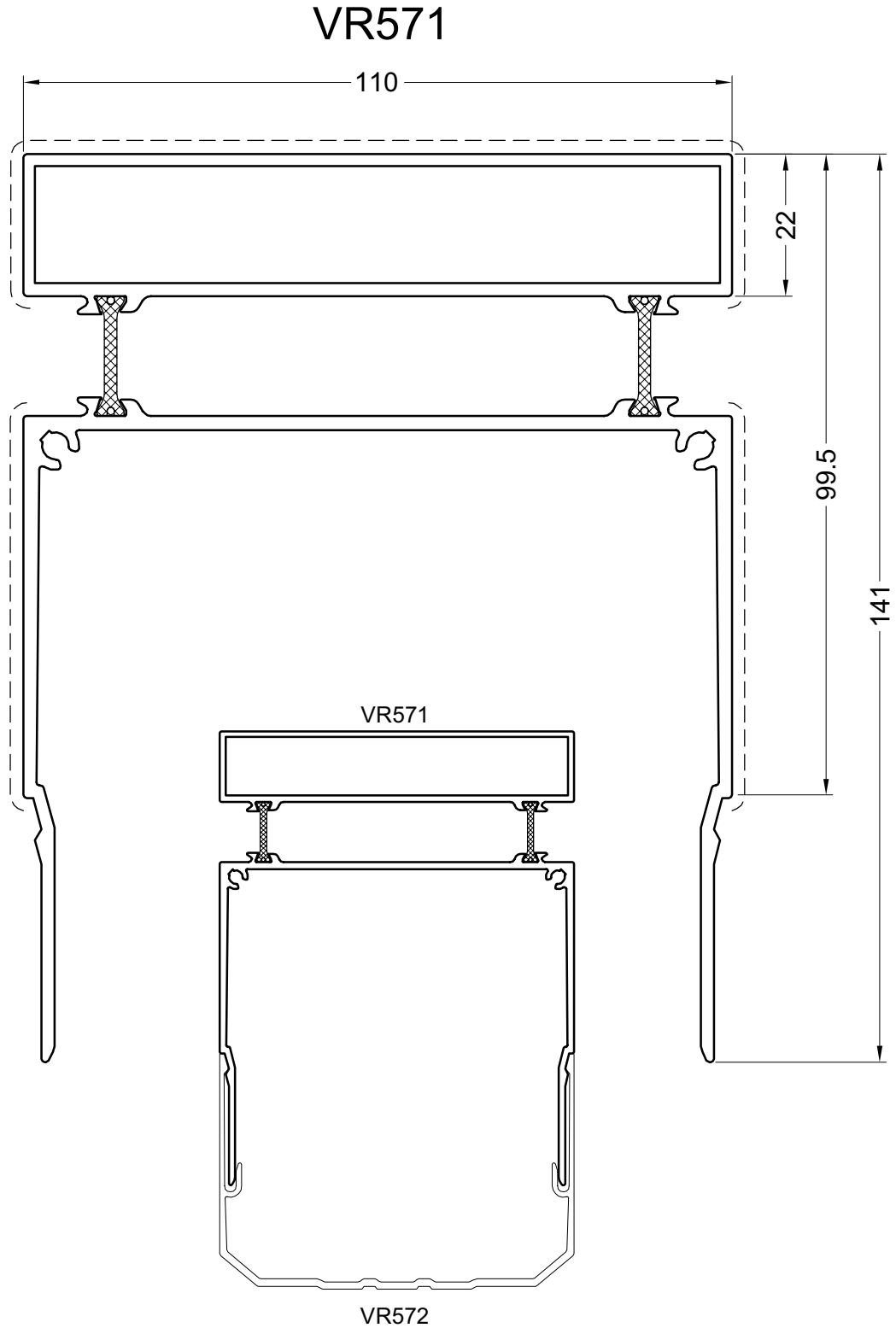
Secundaire zichtbare zijde
Face visible secondaire
Secondär sichtbare Seite
Secondary visible side



paga21

Primaire zichtbare zijde
Face visible primaire
Primär sichtbare Seite
Primary visible side

Secundaire zichtbare zijde
Face visible secondaire
Secondär sichtbare Seite
Secondary visible side



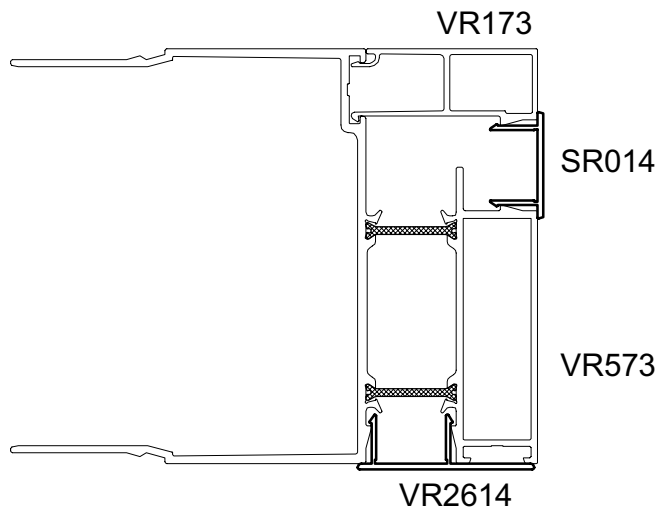
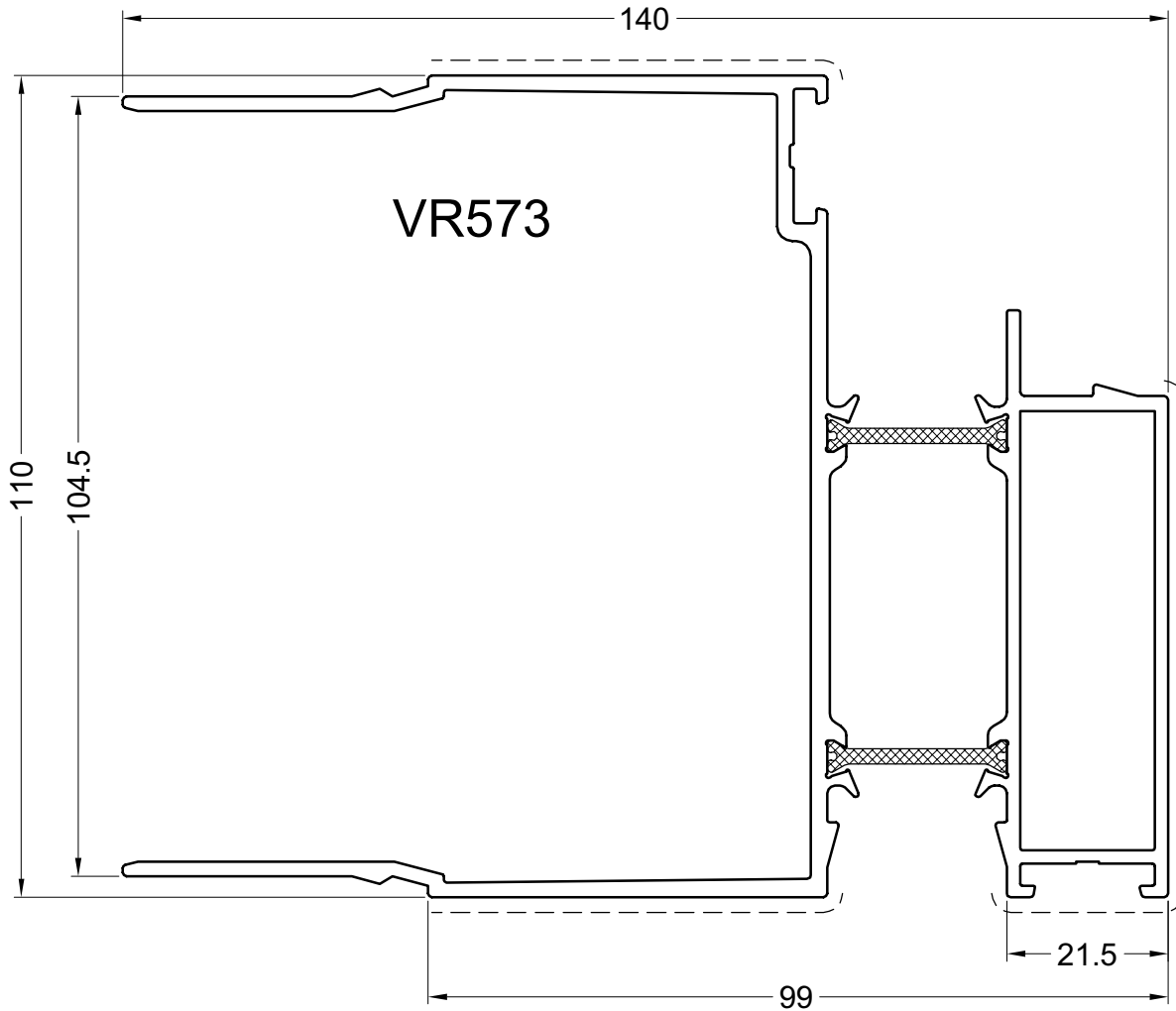
paga22

Primaire zichtbare zijde
Face visible primaire
Primär sichtbare Seite
Primary visible side

Secundaire zichtbare zijde
Face visible secondaire
Secondär sichtbare Seite
Secondary visible side

22/5/07

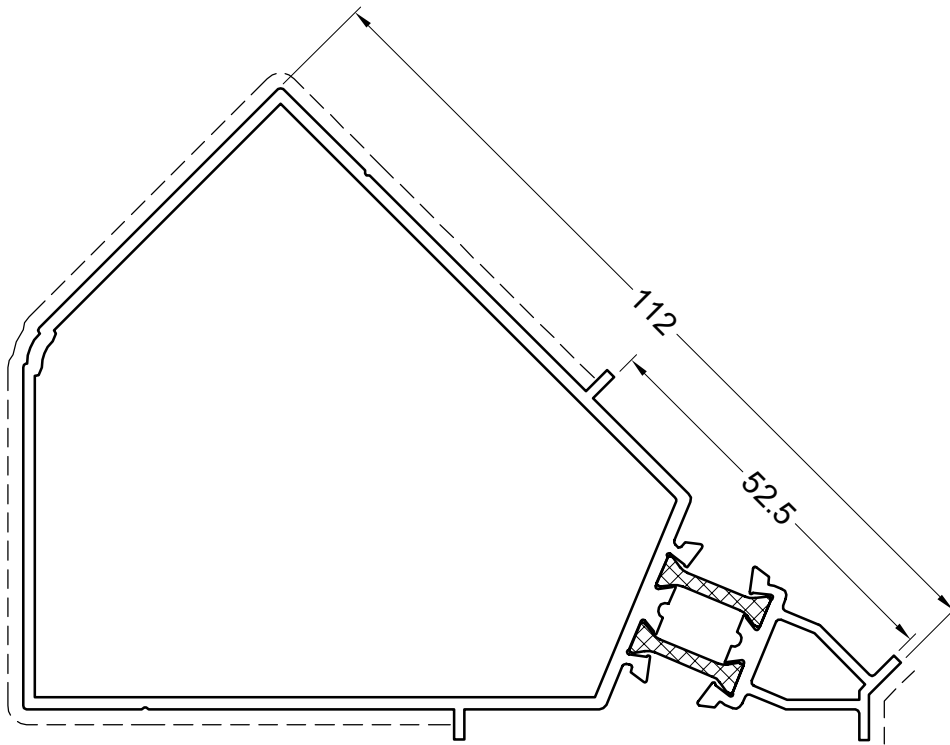
59



HOEKPALEN
POTEAUX A COIN
ECKPFOSTEN
CORNER POSTS

PROFIELEN - PROFILS- PROFILE - PROFILES

VR2774



paga38

Primaire zichtbare zijde
Face visible primaire
Primär sichtbare Seite
Primary visible side

Secundaire zichtbare zijde
Face visible secondaire
Secondär sichtbare Seite
Secondary visible side

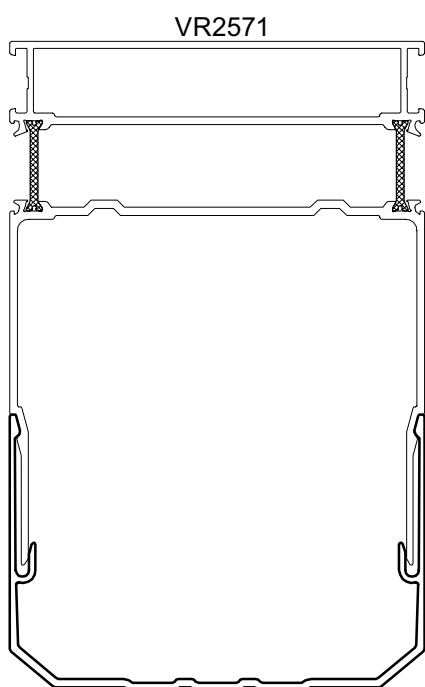
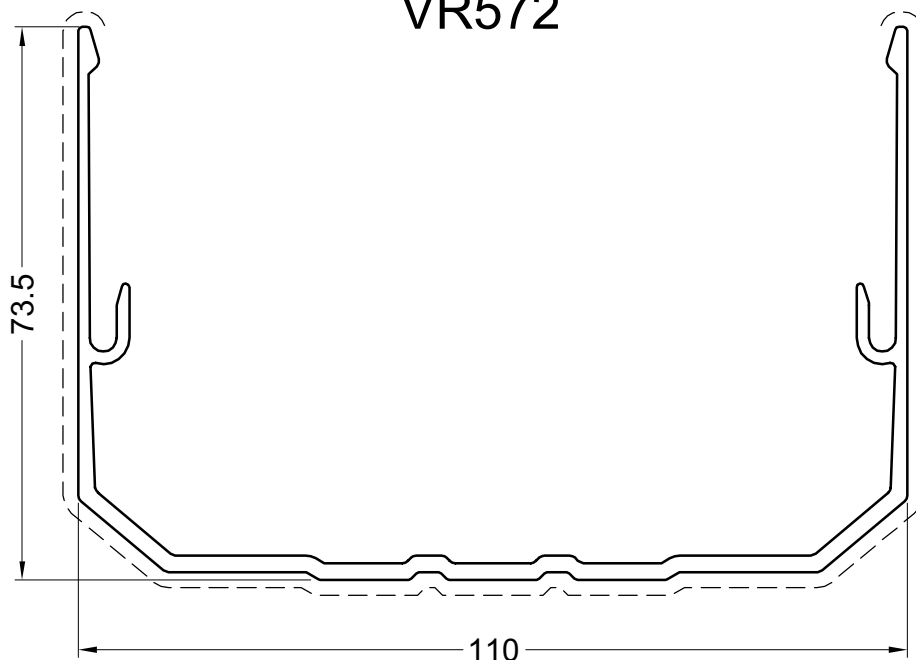
22/5/07

61

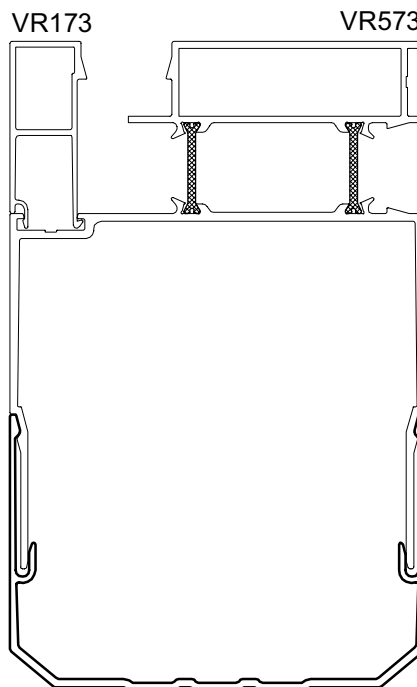
KAPPEN VOOR PALEN
CAPOTS POUR POTEAUX
KAPPEN FÜR PFAHLEN
COVERS FOR POSTS

PROFIELEN - PROFILS- PROFILE - PROFILES

VR572



VR572



VR572

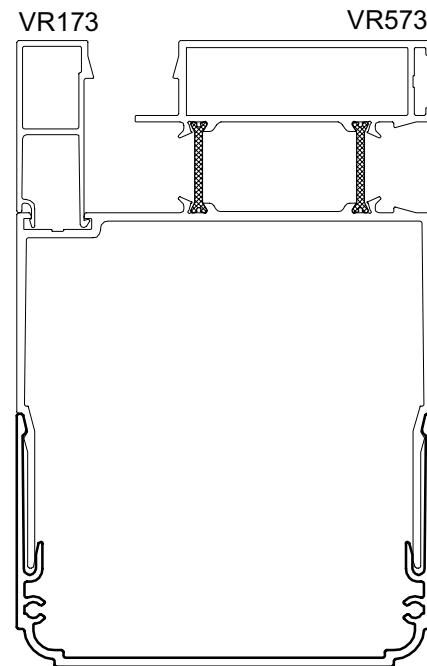
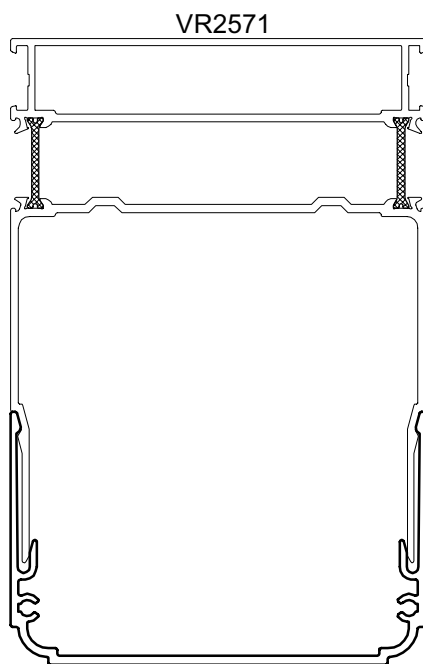
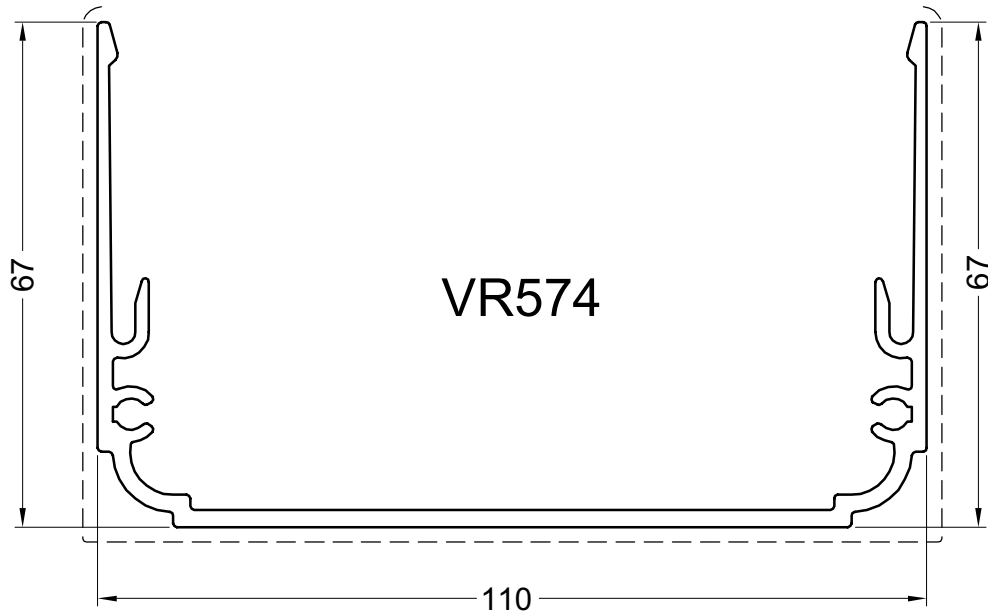
paga23

Primaire zichtbare zijde
Face visible primaire
Primär sichtbare Seite
Primary visible side

Secundaire zichtbare zijde
Face visible secondaire
Secondär sichtbare Seite
Secondary visible side

KAPPEN VOOR PALEN
CAPOTS POUR POTEAUX
KAPPEN FÜR PFAHLEN
COVERS FOR POSTS

PROFIELEN - PROFILS- PROFILE - PROFILES



paga42

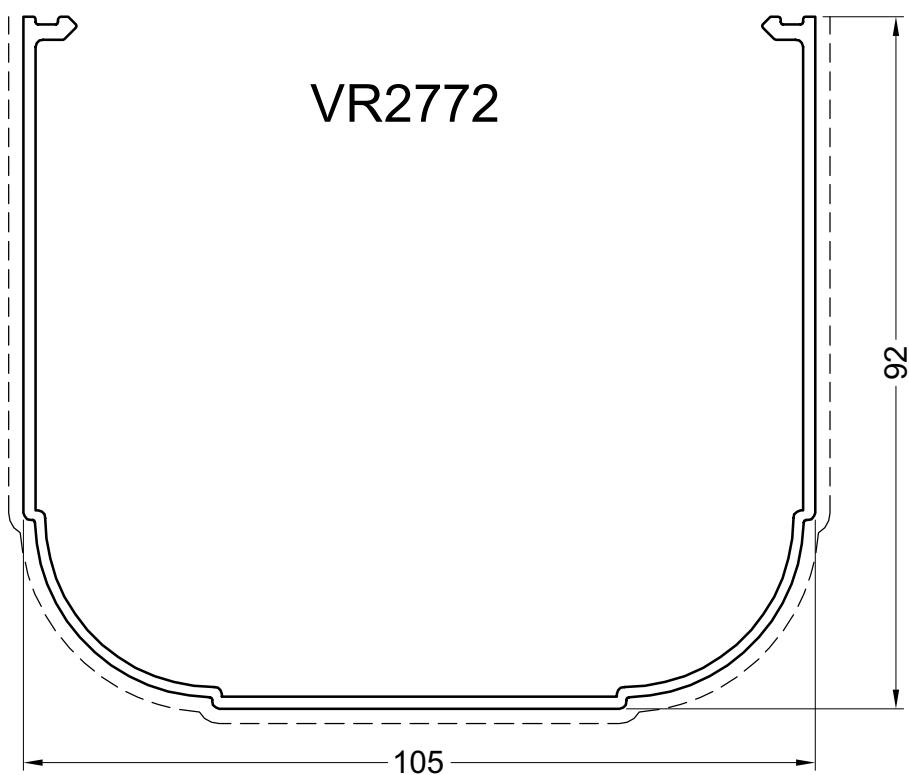
Primaire zichtbare zijde
Face visible primaire
Primär sichtbare Seite
Primary visible side

Secundaire zichtbare zijde
Face visible secondaire
Secondär sichtbare Seite
Secondary visible side

22/5/07

KAPPEN VOOR PALEN
CAPOTS POUR POTEAUX
KAPPEN FÜR PFAHLEN
COVERS FOR POSTS

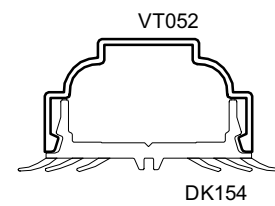
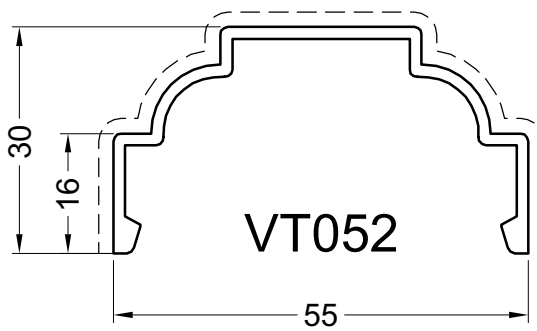
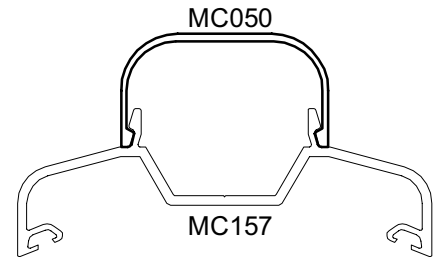
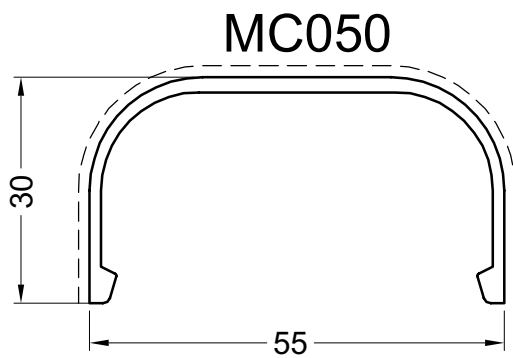
PROFIELEN - PROFILS- PROFILE - PROFILES



paga38a

KAPPROFIELEN
PROFILS DE CAPOT
DECKLEISTE PROFIELEN
CAP PROFILES

PROFIELEN - PROFILS- PROFILE - PROFILES



paga15

Primaire zichtbare zijde
Face visible primaire
Primär sichtbare Seite
Primary visible side

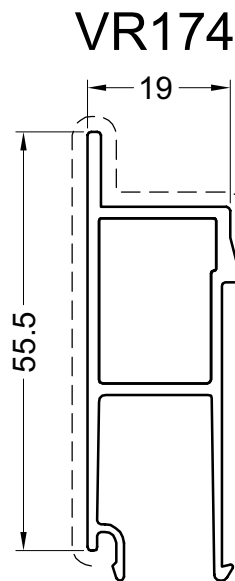
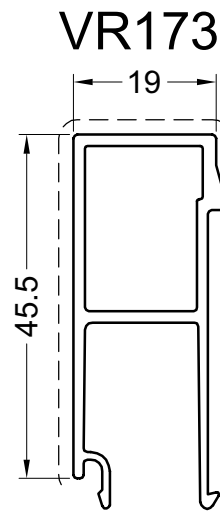
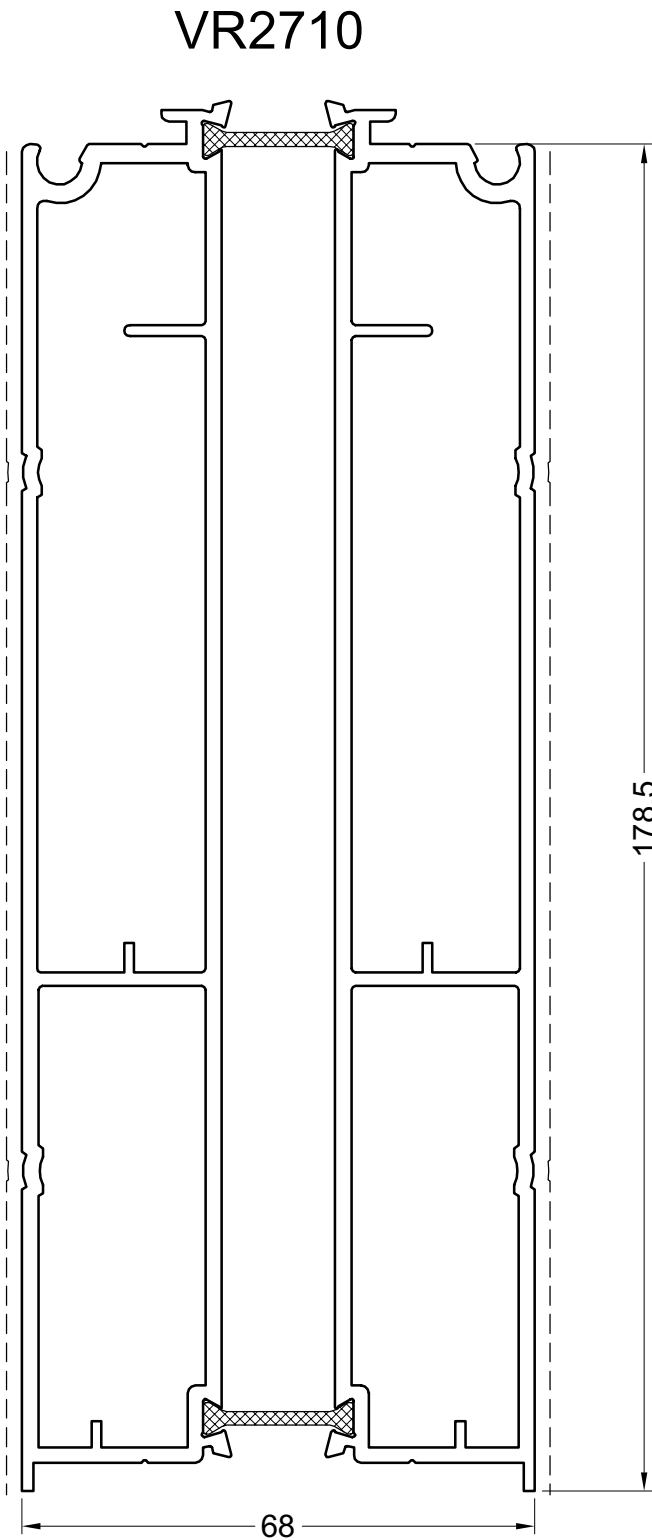
Secundaire zichtbare zijde
Face visible secondaire
Secondär sichtbare Seite
Secondary visible side

22/5/07

65

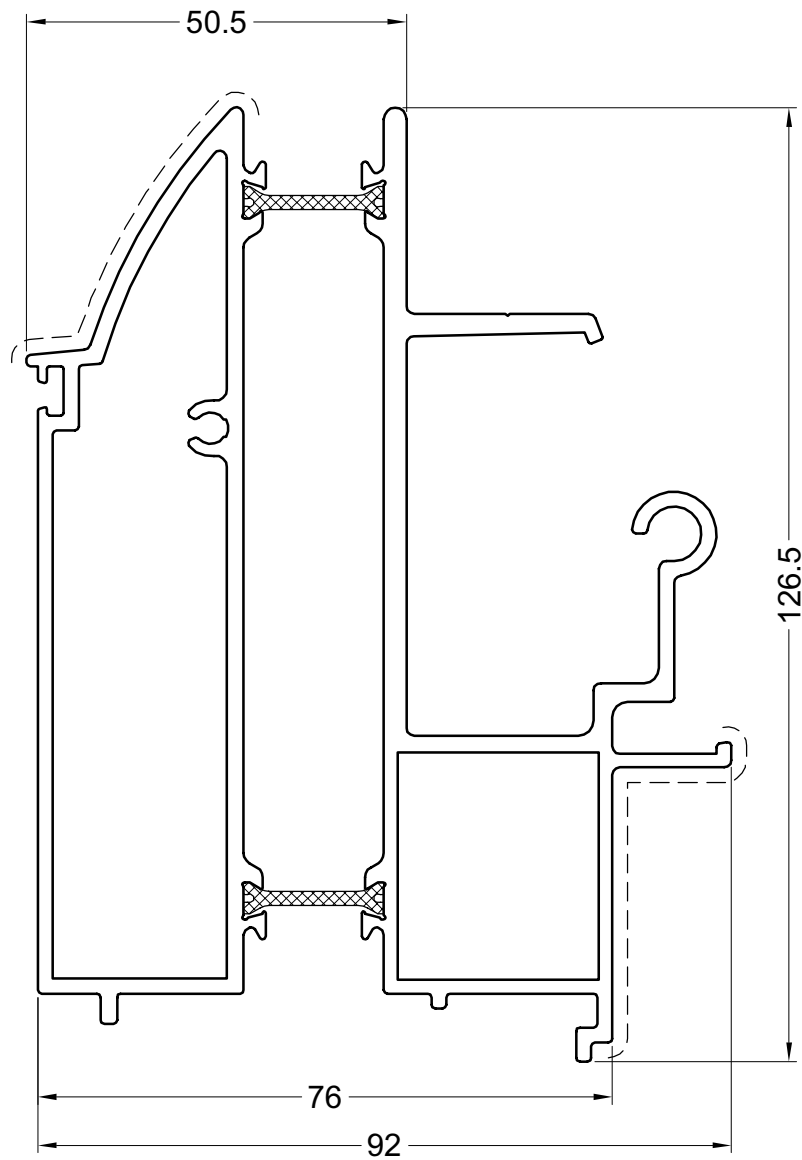
OPZETPROFIELEN
PROFILS ASSEMBLAGE
ZUSAMMENFUGUNG PROFILEN
ASSEMBLAGE PROFILES

PROFIELEN - PROFILS - PROFILE - PROFILES



paga34

VR2720



paga39

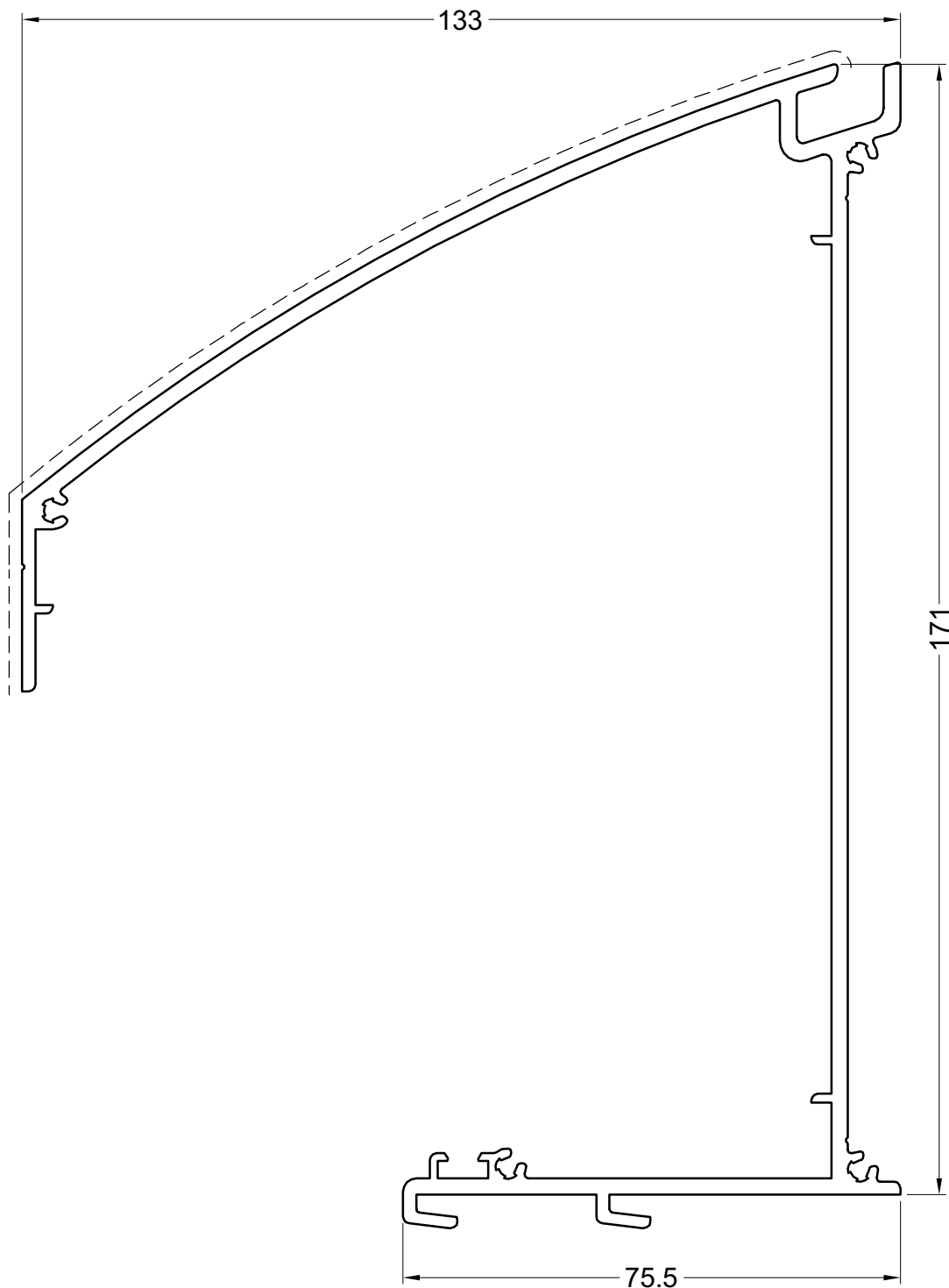
Primaire zichtbare zijde
Face visible primaire
Primär sichtbare Seite
Primary visible side

Secundaire zichtbare zijde
Face visible secondaire
Secondär sichtbare Seite
Secondary visible side

GOOT VERANDA ROLLUIK GEINTEGREERD
GOUTTIERE VERANDA VOLET INT.
DACHRINNEN WINTERGARTEN ROLLADEN INT;
HEADGUTTERS BLIND INT;

PROFIELEN - PROFILS- PROFILE - PROFILES

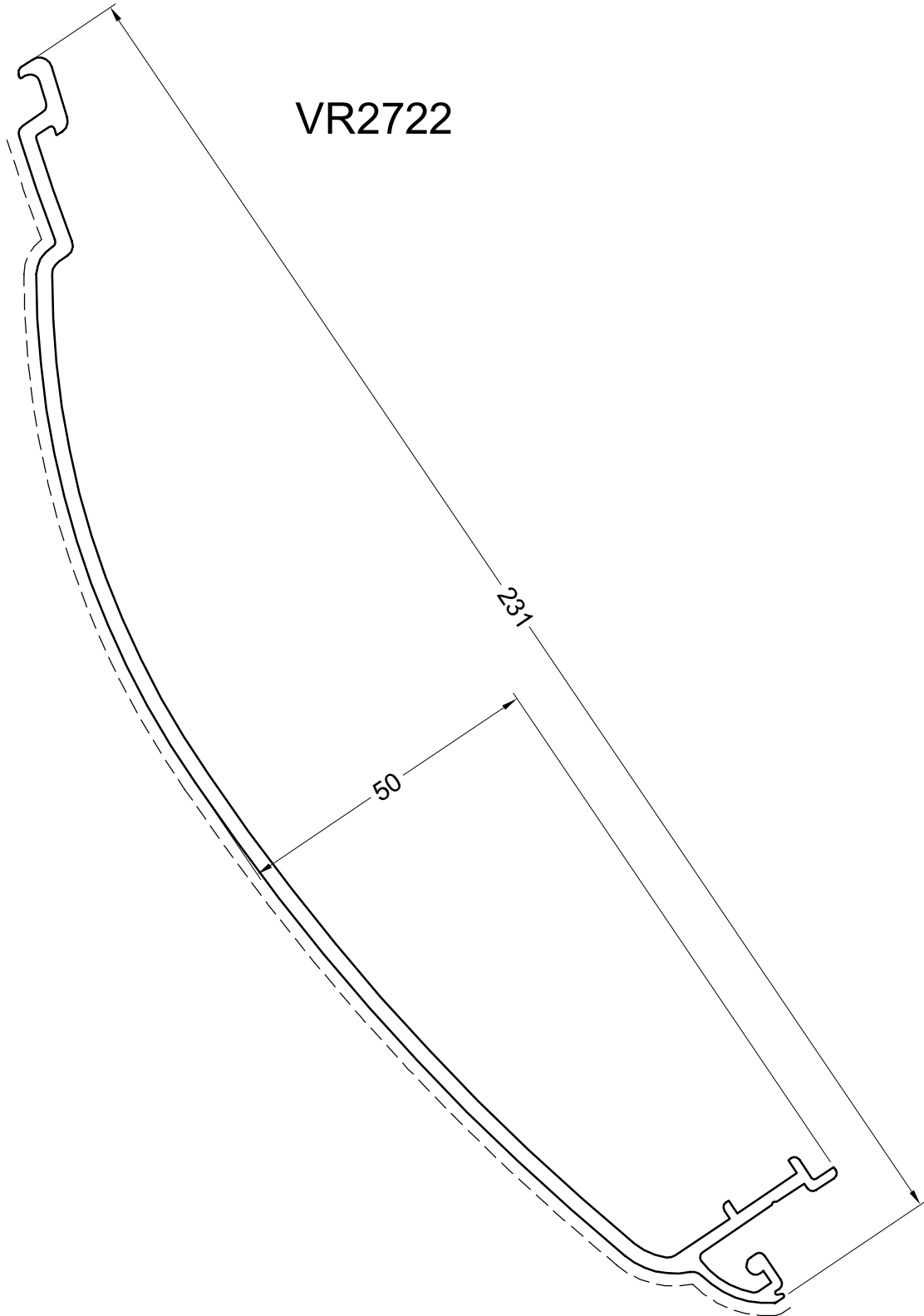
VR2721



paga35

DEKSEL VOORKANT
CAPOT FACE AVANT
ABSCHLIE&PROFIL
COVER FRONT

PROFIELEN - PROFILS- PROFILE - PROFILES

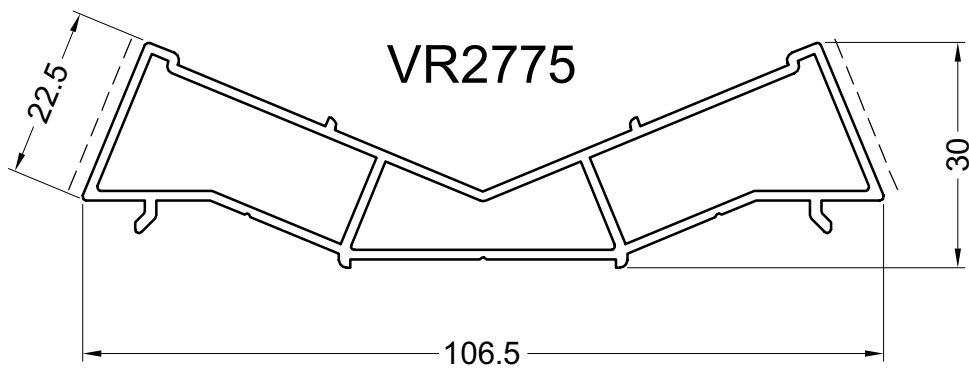
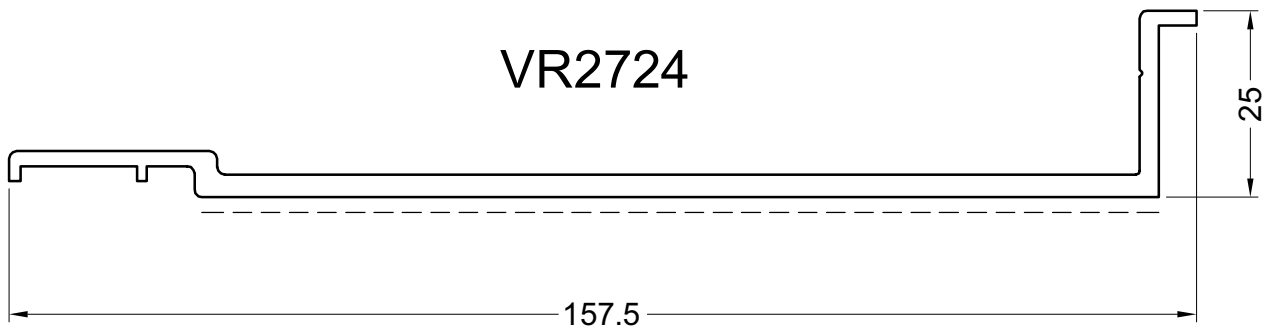


paga36

Primaire zichtbare zijde
Face visible primaire
Primär sichtbare Seite
Primary visible side

Secundaire zichtbare zijde
Face visible secondaire
Secondär sichtbare Seite
Secondary visible side

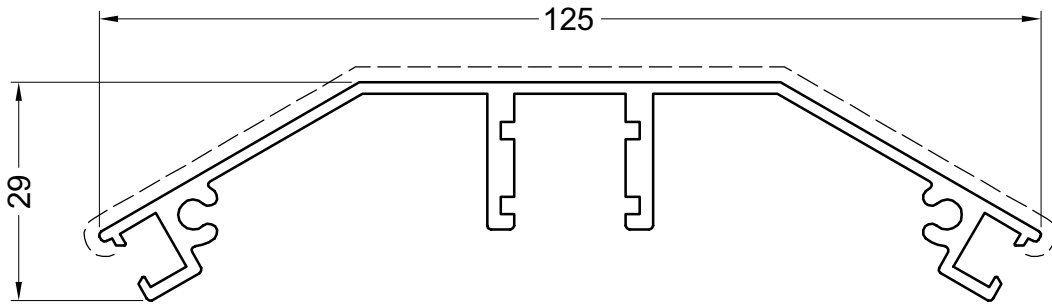
22/5/07



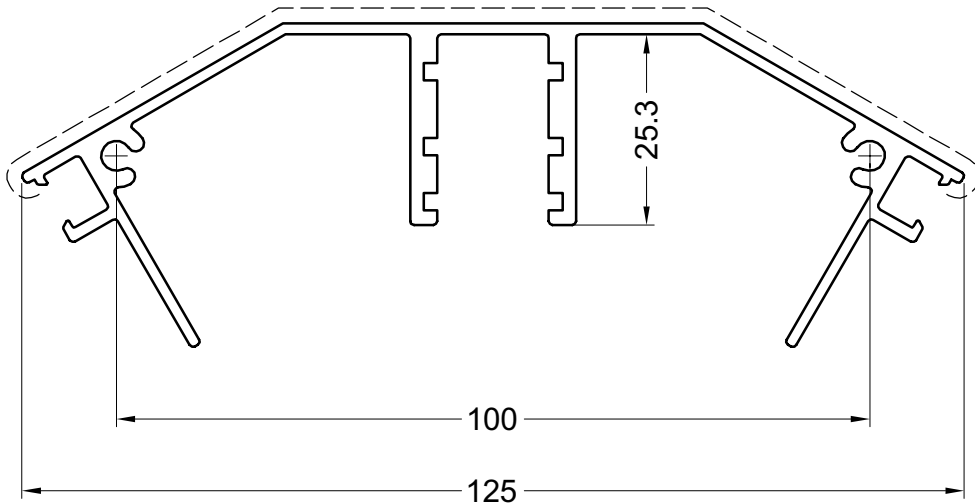
NOKPROFIELEN
DOUBLE FAITIÈRES
FIRST
RIDGE PROFILES

PROFIELEN - PROFILS- PROFILE - PROFILES

VR125



VR2125



paga43

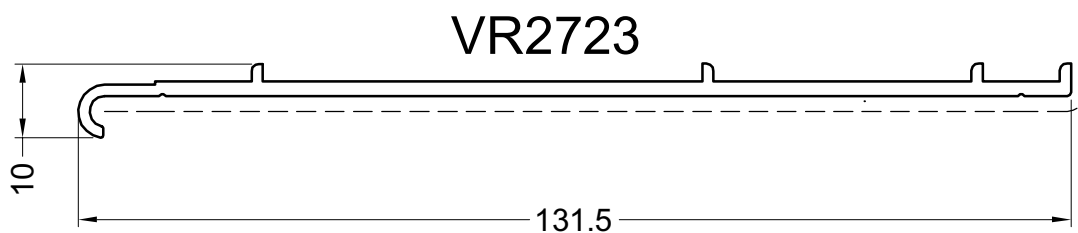
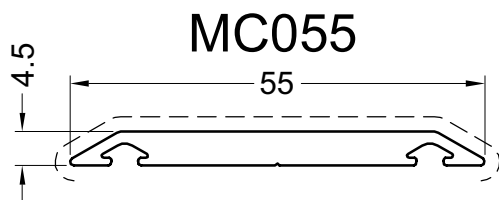
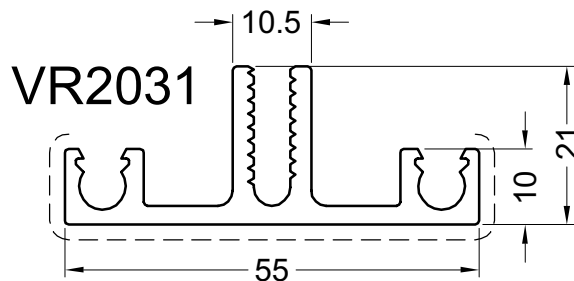
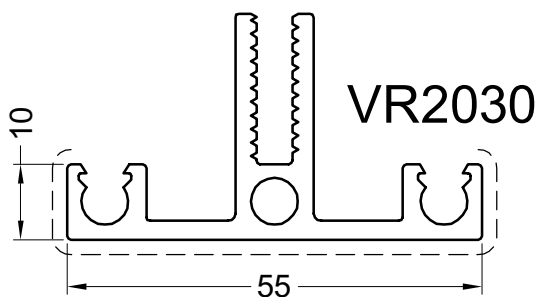
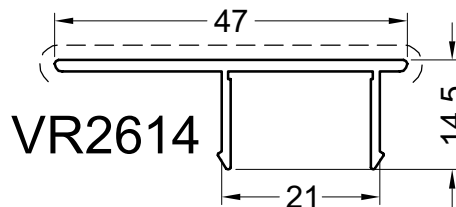
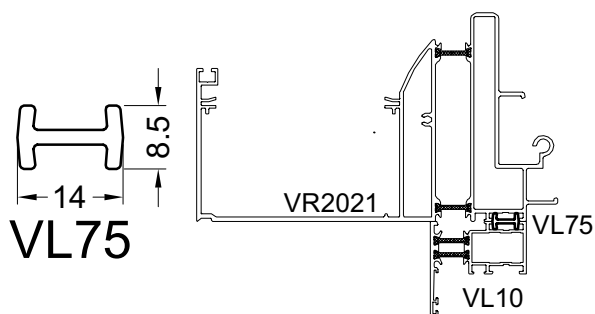
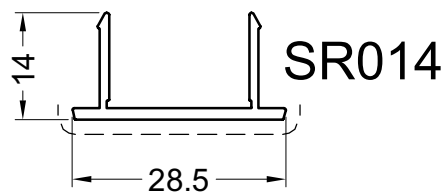
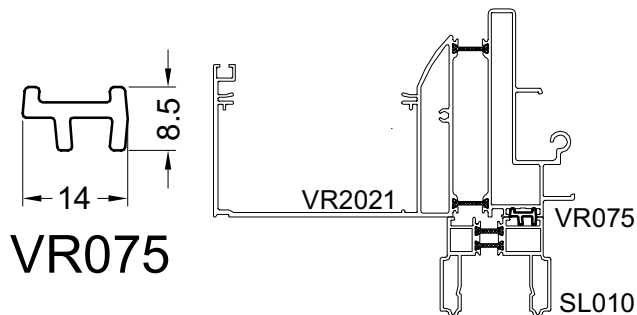
Primaire zichtbare zijde
Face visible primaire
Primär sichtbare Seite
Primary visible side

Secundaire zichtbare zijde
Face visible secondaire
Secondär sichtbare Seite
Secondary visible side

22/5/07

DIVERSE PROFIELEN
PROFILS DIVERS
DIVERS PROFILN
VARIED PROFILES

PROFIELEN - PROFILS - PROFILE - PROFILES



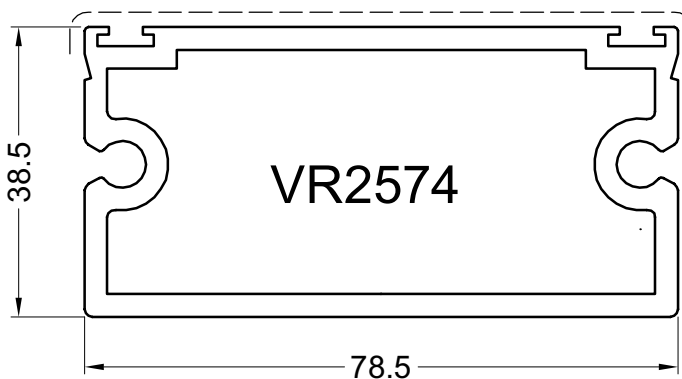
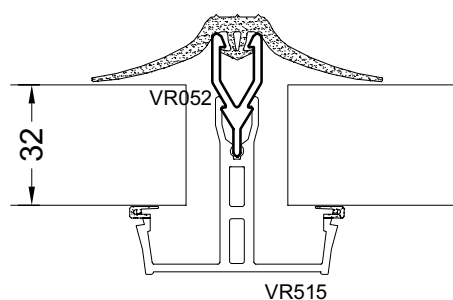
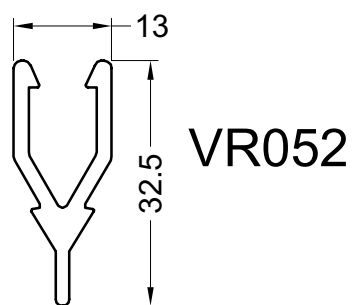
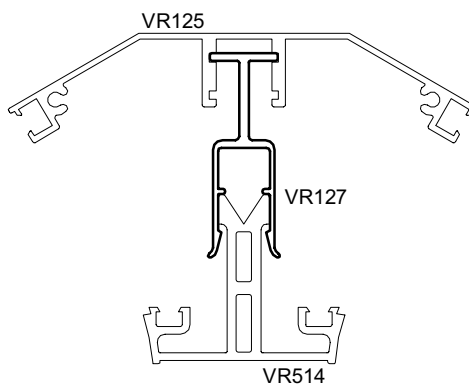
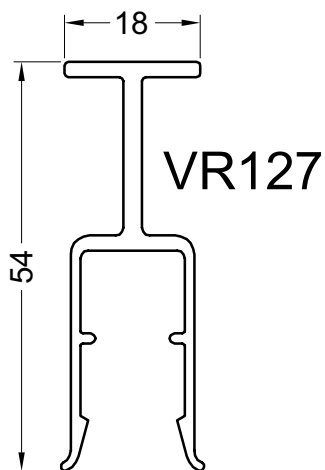
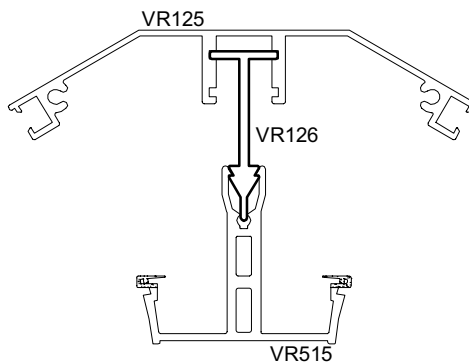
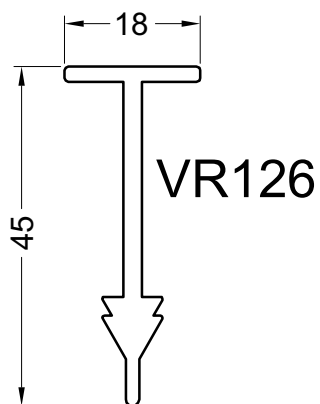
paga20

Primaire zichtbare zijde
Face visible primaire
Primär sichtbare Seite
Primary visible side

Secundaire zichtbare zijde
Face visible secondaire
Secondär sichtbare Seite
Secondary visible side

DIVERSE PROFIELEN
PROFILS DIVERS
DIVERS PROFILN
VARIED PROFILES

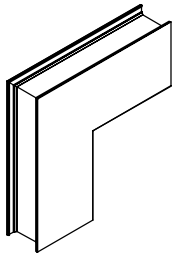
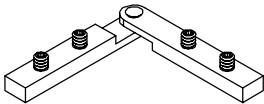
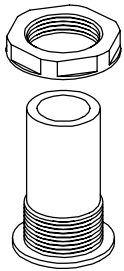
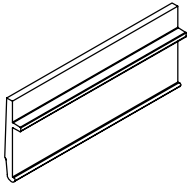
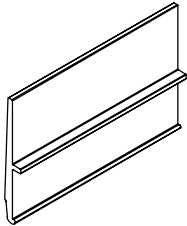
PROFIELEN - PROFILS- PROFILE - PROFILES

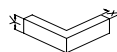


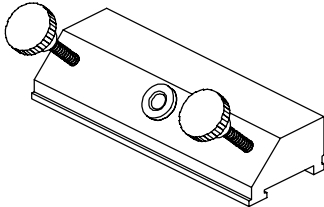

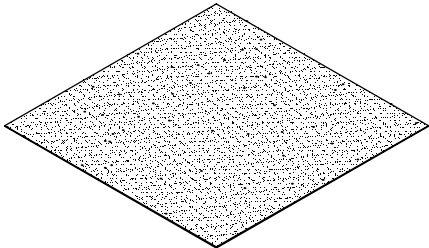
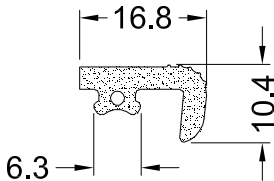
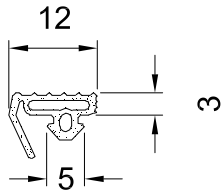
paga24

Primaire zichtbare zijde
Face visible primaire
Primär sichtbare Seite
Primary visible side



Secundaire zichtbare zijde
Face visible secondaire
Secondär sichtbare Seite
Secondary visible side

| | | Verp. per Emb. par Pack pr. | Einheid Unité Einheit Unit | Toepassing Application Anwendung Application | Kleur Couleur Farbe Color | | | | | | | | | | | | |
|--|---|-----------------------------------|-------------------------------------|---|--|----|---|----|--|----|---|----|---|---|---|---|---|
|  <p>VOORBEELD, EXEMPLE, BEISPIEL, EXAMPLE</p> | <p>ACVR011N</p> <ul style="list-style-type: none"> -Gelast stuk uit VR011N -Pièce soude du VR011N -Geschweisst stuk aus VR011N -Welded piece out of VR011N | 1 | Stuk Pièce Stück Pièce | VR011N | <table border="1"> <tr><td>BR</td><td>X</td></tr> <tr><td>AN</td><td></td></tr> <tr><td>KL</td><td>X</td></tr> <tr><td>GS</td><td>X</td></tr> <tr><td>Z</td><td></td></tr> <tr><td>W</td><td></td></tr> </table> | BR | X | AN | | KL | X | GS | X | Z | | W | |
| BR | X | | | | | | | | | | | | | | | | |
| AN | | | | | | | | | | | | | | | | | |
| KL | X | | | | | | | | | | | | | | | | |
| GS | X | | | | | | | | | | | | | | | | |
| Z | | | | | | | | | | | | | | | | | |
| W | | | | | | | | | | | | | | | | | |
|  | <p>ACVR020</p> <ul style="list-style-type: none"> -Variabele verbinding goot -Raccord orientable gouttière -Verstelbare Verbindung Dachrinne -Adjustable attach gutter | 1 | Stuk Pièce Stück Pièce | VR2021 VR2121 | <table border="1"> <tr><td>BR</td><td></td></tr> <tr><td>AN</td><td></td></tr> <tr><td>KL</td><td></td></tr> <tr><td>GS</td><td></td></tr> <tr><td>Z</td><td></td></tr> <tr><td>W</td><td></td></tr> </table> | BR | | AN | | KL | | GS | | Z | | W | |
| BR | | | | | | | | | | | | | | | | | |
| AN | | | | | | | | | | | | | | | | | |
| KL | | | | | | | | | | | | | | | | | |
| GS | | | | | | | | | | | | | | | | | |
| Z | | | | | | | | | | | | | | | | | |
| W | | | | | | | | | | | | | | | | | |
|  | <p>ACVR021</p> <ul style="list-style-type: none"> -Overloop -Trop-plein -Überlaufen Kontrolle -Overflow control | 1 | Stuk Pièce Stück Pièce | VR2021 VR2121 | <table border="1"> <tr><td>BR</td><td></td></tr> <tr><td>AN</td><td></td></tr> <tr><td>KL</td><td></td></tr> <tr><td>GS</td><td></td></tr> <tr><td>Z</td><td>X</td></tr> <tr><td>W</td><td>X</td></tr> </table> | BR | | AN | | KL | | GS | | Z | X | W | X |
| BR | | | | | | | | | | | | | | | | | |
| AN | | | | | | | | | | | | | | | | | |
| KL | | | | | | | | | | | | | | | | | |
| GS | | | | | | | | | | | | | | | | | |
| Z | X | | | | | | | | | | | | | | | | |
| W | X | | | | | | | | | | | | | | | | |
|  | <p>ACVR056</p> <ul style="list-style-type: none"> -Glassteun enkel glas -Support cale de vitrage simple vitrage -Klotz-auffage Einfachverglasung -Glazing support single glazing | 1 | Stuk Pièce Stück Pièce | VR2016 VR2017 VR2116 VR2117 | <table border="1"> <tr><td>BR</td><td></td></tr> <tr><td>AN</td><td></td></tr> <tr><td>KL</td><td></td></tr> <tr><td>GS</td><td></td></tr> <tr><td>Z</td><td></td></tr> <tr><td>W</td><td></td></tr> </table> | BR | | AN | | KL | | GS | | Z | | W | |
| BR | | | | | | | | | | | | | | | | | |
| AN | | | | | | | | | | | | | | | | | |
| KL | | | | | | | | | | | | | | | | | |
| GS | | | | | | | | | | | | | | | | | |
| Z | | | | | | | | | | | | | | | | | |
| W | | | | | | | | | | | | | | | | | |
|  | <p>ACVR057</p> <ul style="list-style-type: none"> -Glassteun -Support cale de vitrage -Klotz-auffage -Glazing support | 1 | Stuk Pièce Stück Pièce | VR2016 VR2017 VR2116 VR2117 | <table border="1"> <tr><td>BR</td><td></td></tr> <tr><td>AN</td><td></td></tr> <tr><td>KL</td><td></td></tr> <tr><td>GS</td><td></td></tr> <tr><td>Z</td><td></td></tr> <tr><td>W</td><td></td></tr> </table> | BR | | AN | | KL | | GS | | Z | | W | |
| BR | | | | | | | | | | | | | | | | | |
| AN | | | | | | | | | | | | | | | | | |
| KL | | | | | | | | | | | | | | | | | |
| GS | | | | | | | | | | | | | | | | | |
| Z | | | | | | | | | | | | | | | | | |
| W | | | | | | | | | | | | | | | | | |

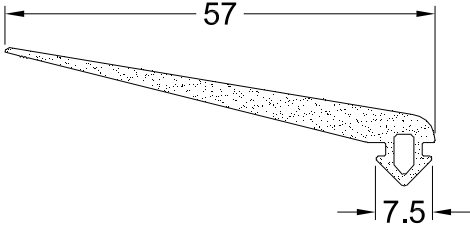
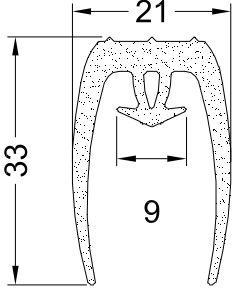






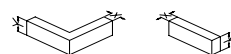
| | | Verp. per Emb. par Pack pr. Pack pr. | Eenheid Unité Einheit Unit | Toepassing Application Anwendung Application | Kleur Couleur Farbe Color | | | | | | | | | | | | |
|---|---|---|-------------------------------------|--|---|----|---|----|---|----|---|----|---|---|--|---|--|
|  | ACVR090 -Boormal -Calibre -Bohrschablone -Boring jig set | 1 | Stuk Pièce Stück Pièce | VR2016 VR2017 | <table border="1"> <tr><td>BR</td><td></td></tr> <tr><td>AN</td><td></td></tr> <tr><td>KL</td><td></td></tr> <tr><td>GS</td><td></td></tr> <tr><td>Z</td><td></td></tr> <tr><td>W</td><td></td></tr> </table> | BR | | AN | | KL | | GS | | Z | | W | |
| BR | | | | | | | | | | | | | | | | | |
| AN | | | | | | | | | | | | | | | | | |
| KL | | | | | | | | | | | | | | | | | |
| GS | | | | | | | | | | | | | | | | | |
| Z | | | | | | | | | | | | | | | | | |
| W | | | | | | | | | | | | | | | | | |
|  | ACVR125 -Afdichting zijkant nok -Fermeture latérale faîtière -Endkappe für Dachfirst -Side plate for ridge | 1 10 | Stuk Pièce Stück Pièce | VR125 | <table border="1"> <tr><td>BR</td><td>X</td></tr> <tr><td>AN</td><td>X</td></tr> <tr><td>KL</td><td>X</td></tr> <tr><td>GS</td><td>X</td></tr> <tr><td>Z</td><td></td></tr> <tr><td>W</td><td></td></tr> </table> | BR | X | AN | X | KL | X | GS | X | Z | | W | |
| BR | X | | | | | | | | | | | | | | | | |
| AN | X | | | | | | | | | | | | | | | | |
| KL | X | | | | | | | | | | | | | | | | |
| GS | X | | | | | | | | | | | | | | | | |
| Z | | | | | | | | | | | | | | | | | |
| W | | | | | | | | | | | | | | | | | |
|  | ACVR140 -Zelfklevende EPDM 500/500/2.5mm -EPDM autocollant 500/500/2.5mm -Selbstklebend EPDM 500/500/2.5mm -Self-adhesive EPDM 500/500/2.5mm | 1 | Stuk Pièce Stück Pièce | ACVR125 ACVR201 ACVR202 ACVR203 ACVR204 ACVR205 ACVR211 ACVR212 ACVR213 ACVR214 ACVR215 ACVR246 ACVR247 ACVR272 ACVR9521 | <table border="1"> <tr><td>BR</td><td></td></tr> <tr><td>AN</td><td></td></tr> <tr><td>KL</td><td></td></tr> <tr><td>GS</td><td></td></tr> <tr><td>Z</td><td></td></tr> <tr><td>W</td><td></td></tr> </table> | BR | | AN | | KL | | GS | | Z | | W | |
| BR | | | | | | | | | | | | | | | | | |
| AN | | | | | | | | | | | | | | | | | |
| KL | | | | | | | | | | | | | | | | | |
| GS | | | | | | | | | | | | | | | | | |
| Z | | | | | | | | | | | | | | | | | |
| W | | | | | | | | | | | | | | | | | |
|  | ACVR200 -Beglazingsrubber veranda -Joint de vitrage veranda -Glashaltegummi für Veranda -Glazing gasket for conservatory | 50 | m | VR514 | <table border="1"> <tr><td>BR</td><td></td></tr> <tr><td>AN</td><td></td></tr> <tr><td>KL</td><td></td></tr> <tr><td>GS</td><td></td></tr> <tr><td>Z</td><td></td></tr> <tr><td>W</td><td></td></tr> </table> | BR | | AN | | KL | | GS | | Z | | W | |
| BR | | | | | | | | | | | | | | | | | |
| AN | | | | | | | | | | | | | | | | | |
| KL | | | | | | | | | | | | | | | | | |
| GS | | | | | | | | | | | | | | | | | |
| Z | | | | | | | | | | | | | | | | | |
| W | | | | | | | | | | | | | | | | | |
|  | ACVR201 -Dichtingsstrip met lip -Joint d'étanchéité avec moustache -Abdichtungsgummi mit Lippe -Sealstrip with lip | 100 | m | VR030 VR031 VR032 VR033 VR034 VR035 VR036 VR037 VT056 | <table border="1"> <tr><td>BR</td><td></td></tr> <tr><td>AN</td><td></td></tr> <tr><td>KL</td><td></td></tr> <tr><td>GS</td><td></td></tr> <tr><td>Z</td><td></td></tr> <tr><td>W</td><td></td></tr> </table> | BR | | AN | | KL | | GS | | Z | | W | |
| BR | | | | | | | | | | | | | | | | | |
| AN | | | | | | | | | | | | | | | | | |
| KL | | | | | | | | | | | | | | | | | |
| GS | | | | | | | | | | | | | | | | | |
| Z | | | | | | | | | | | | | | | | | |
| W | | | | | | | | | | | | | | | | | |

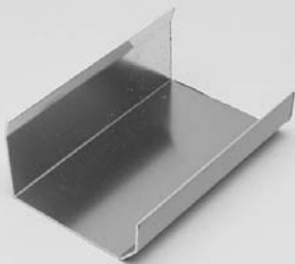
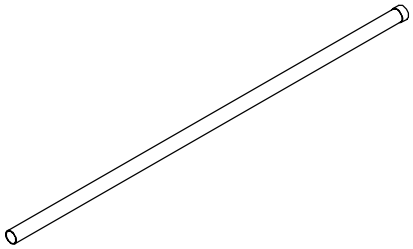


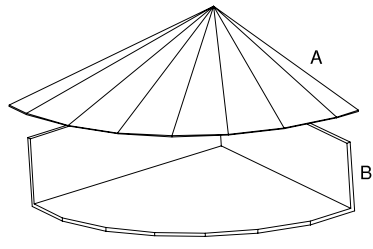
BR = BRUT - BRUT - ROH - BRUT
 AN (X) = ANODISATIE - ANODISE - ELOXIERT - ANODISED
 AN (■) = GELAKT - LAQUE - LACKIERT - LACQUERED -- RAL9006M
 KL = STANDAARDKLEUREN - COULEUR STANDARD - BASIS FARBEN - BASIC COLORS
 GS = GEMOFFELD SPECIAAL - LAQUE SPECIAL - SPECIALFARBE - SPECIAL COLOR
 Z = ZWART - NOIR - SCHWARZ - BLACK
 W = WIT - BLANC - WEISS - WHITE

 GEREEDSCHAP - OUTILLAGE
 WERKZEUG - TOOL
 BEVESTIGING - FIXATION
 BEFESTIGUNG - FIXATION





| | Verp. per Emb. par Pack pr. | Eenheid Unité Einheit Unit | Toepassing Application Anwendung Application | Kleur Couleur Farbe Color | | | | | | | | | | | | |
|---|-----------------------------------|-------------------------------------|---|---|----|--|----|--|----|---|----|--|---|---|---|---|
|  <p>ACVR202</p> <ul style="list-style-type: none"> -Dichtingsstrip muuraansluiting -Joint d'étanchéité murale -Abdichtungsgummi Mauer -Ridge sealstrip wall | 25 50 | m m | VR125 VR426 VR427 VR2426 VR2427 | <table border="1"> <tr><td>BR</td><td></td></tr> <tr><td>AN</td><td></td></tr> <tr><td>KL</td><td></td></tr> <tr><td>GS</td><td></td></tr> <tr><td>Z</td><td>X</td></tr> <tr><td>W</td><td>X</td></tr> </table> | BR | | AN | | KL | | GS | | Z | X | W | X |
| BR | | | | | | | | | | | | | | | | |
| AN | | | | | | | | | | | | | | | | |
| KL | | | | | | | | | | | | | | | | |
| GS | | | | | | | | | | | | | | | | |
| Z | X | | | | | | | | | | | | | | | |
| W | X | | | | | | | | | | | | | | | |
|  <p>ACVR208</p> <ul style="list-style-type: none"> -Beglazingsrubber polycarbonaat -Joint de vitrage pour polycarbonat -Glassgummi für Polycarbonat -Glazing strip for polycarbonate | 50 35 | m m | VR052 VR515 VR515A | <table border="1"> <tr><td>BR</td><td></td></tr> <tr><td>AN</td><td></td></tr> <tr><td>KL</td><td></td></tr> <tr><td>GS</td><td></td></tr> <tr><td>Z</td><td>X</td></tr> <tr><td>W</td><td>X</td></tr> </table> | BR | | AN | | KL | | GS | | Z | X | W | X |
| BR | | | | | | | | | | | | | | | | |
| AN | | | | | | | | | | | | | | | | |
| KL | | | | | | | | | | | | | | | | |
| GS | | | | | | | | | | | | | | | | |
| Z | X | | | | | | | | | | | | | | | |
| W | X | | | | | | | | | | | | | | | |
|  <p>ACVR216</p> <ul style="list-style-type: none"> -Schroef met afdekkap -Vis avec capuchon -Schraube mit Endkappe -Screw with side plate <p> 4.8x18</p> | 100 | Stuks Pièces Stücke Pièces | | <table border="1"> <tr><td>BR</td><td></td></tr> <tr><td>AN</td><td></td></tr> <tr><td>KL</td><td>X</td></tr> <tr><td>GS</td><td></td></tr> <tr><td>Z</td><td></td></tr> <tr><td>W</td><td>X</td></tr> </table> | BR | | AN | | KL | X | GS | | Z | | W | X |
| BR | | | | | | | | | | | | | | | | |
| AN | | | | | | | | | | | | | | | | |
| KL | X | | | | | | | | | | | | | | | |
| GS | | | | | | | | | | | | | | | | |
| Z | | | | | | | | | | | | | | | | |
| W | X | | | | | | | | | | | | | | | |
|  <p>ACVR218</p> <ul style="list-style-type: none"> -Halogeenlamp 35W -Lampe halogène 35W -Halogenlampe 35W -Spot bulb halogen 35W | 1 | Stuk Pièce Stück Pièce | ACVR510 ACVR520 | <table border="1"> <tr><td>BR</td><td></td></tr> <tr><td>AN</td><td></td></tr> <tr><td>KL</td><td></td></tr> <tr><td>GS</td><td></td></tr> <tr><td>Z</td><td></td></tr> <tr><td>W</td><td></td></tr> </table> | BR | | AN | | KL | | GS | | Z | | W | |
| BR | | | | | | | | | | | | | | | | |
| AN | | | | | | | | | | | | | | | | |
| KL | | | | | | | | | | | | | | | | |
| GS | | | | | | | | | | | | | | | | |
| Z | | | | | | | | | | | | | | | | |
| W | | | | | | | | | | | | | | | | |
|  <p>ACVR219</p> <ul style="list-style-type: none"> -Transfo 200VA-230/12 -Transfo 200VA-230/12 -Transfo 200VA-230/12 -Transfo 200VA-230/12 <p>Max. 5 x ACVR218</p> | 1 | Stuk Pièce Stück Pièce | ACVR218 VR011N VR011V VR2011 | <table border="1"> <tr><td>BR</td><td></td></tr> <tr><td>AN</td><td></td></tr> <tr><td>KL</td><td></td></tr> <tr><td>GS</td><td></td></tr> <tr><td>Z</td><td></td></tr> <tr><td>W</td><td></td></tr> </table> | BR | | AN | | KL | | GS | | Z | | W | |
| BR | | | | | | | | | | | | | | | | |
| AN | | | | | | | | | | | | | | | | |
| KL | | | | | | | | | | | | | | | | |
| GS | | | | | | | | | | | | | | | | |
| Z | | | | | | | | | | | | | | | | |
| W | | | | | | | | | | | | | | | | |

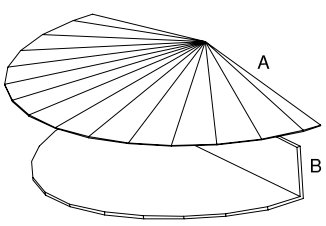
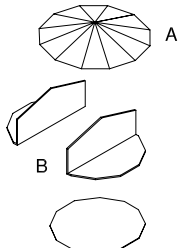
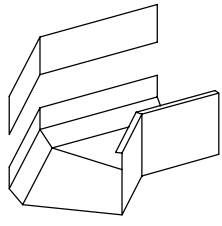
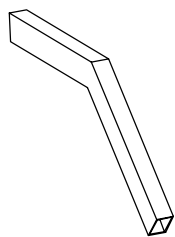
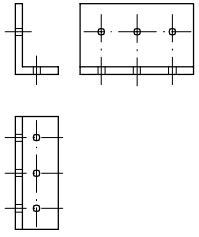


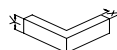
| | | Verp. per Emb. par Pack pr. Pack pr. | Eenheid Unité Einheit Unit | Toepassing Application Anwendung Application | Kleur Couleur Farbe Color | | | | | | | | | | | | |
|--|---|---|-------------------------------------|---|---|----|---|----|---|----|---|----|---|---|--|---|--|
|  | ACVR224N -Dilatatiestuk goot -Pièce de dilatation gouttière -Dilatation für Dachrinne -Dilatation strip for gutter | 1 | Stuk Pièce Stück Pièce | VR2121 | <table border="1"> <tr><td>BR</td><td></td></tr> <tr><td>AN</td><td></td></tr> <tr><td>KL</td><td></td></tr> <tr><td>GS</td><td></td></tr> <tr><td>Z</td><td></td></tr> <tr><td>W</td><td></td></tr> </table> | BR | | AN | | KL | | GS | | Z | | W | |
| BR | | | | | | | | | | | | | | | | | |
| AN | | | | | | | | | | | | | | | | | |
| KL | | | | | | | | | | | | | | | | | |
| GS | | | | | | | | | | | | | | | | | |
| Z | | | | | | | | | | | | | | | | | |
| W | | | | | | | | | | | | | | | | | |
|  | ACVR226 -Ronde buis PVC 80mm met mof -Tube rond PVC 80mm avec manchon -Rundrohre PVC 80mm mit Muffe -Round tube PVC 80mm with sleeve L=3000mm | 1 | Stuk Pièce Stück Pièce | ACVR2227 | <table border="1"> <tr><td>BR</td><td></td></tr> <tr><td>AN</td><td></td></tr> <tr><td>KL</td><td></td></tr> <tr><td>GS</td><td></td></tr> <tr><td>Z</td><td></td></tr> <tr><td>W</td><td></td></tr> </table> | BR | | AN | | KL | | GS | | Z | | W | |
| BR | | | | | | | | | | | | | | | | | |
| AN | | | | | | | | | | | | | | | | | |
| KL | | | | | | | | | | | | | | | | | |
| GS | | | | | | | | | | | | | | | | | |
| Z | | | | | | | | | | | | | | | | | |
| W | | | | | | | | | | | | | | | | | |
|  | ACVR227 -Waterafvoer PVC -Crepine PVC -Regenabfur PVC -Leaf trap PVC | 1 | Stuk Pièce Stück Pièce | VR2021 VR2121 | <table border="1"> <tr><td>BR</td><td></td></tr> <tr><td>AN</td><td></td></tr> <tr><td>KL</td><td></td></tr> <tr><td>GS</td><td></td></tr> <tr><td>Z</td><td></td></tr> <tr><td>W</td><td></td></tr> </table> | BR | | AN | | KL | | GS | | Z | | W | |
| BR | | | | | | | | | | | | | | | | | |
| AN | | | | | | | | | | | | | | | | | |
| KL | | | | | | | | | | | | | | | | | |
| GS | | | | | | | | | | | | | | | | | |
| Z | | | | | | | | | | | | | | | | | |
| W | | | | | | | | | | | | | | | | | |
|  | ACVR228 -Bocht PVC 80mm -Coude PVC 80mm -Winkelstück PVC 80mm -Bend PVC 80mm 90° | 1 | Stuk Pièce Stück Pièce | ACVR226 | <table border="1"> <tr><td>BR</td><td></td></tr> <tr><td>AN</td><td></td></tr> <tr><td>KL</td><td></td></tr> <tr><td>GS</td><td></td></tr> <tr><td>Z</td><td></td></tr> <tr><td>W</td><td></td></tr> </table> | BR | | AN | | KL | | GS | | Z | | W | |
| BR | | | | | | | | | | | | | | | | | |
| AN | | | | | | | | | | | | | | | | | |
| KL | | | | | | | | | | | | | | | | | |
| GS | | | | | | | | | | | | | | | | | |
| Z | | | | | | | | | | | | | | | | | |
| W | | | | | | | | | | | | | | | | | |
|  VOORBEELD, EXEMPLE, BEISPIEL, EXAMPLE | ACVR300 -Kwart nokstuk + bovenplaat -Quart de faitière + plaque supérieure -Viertel Hüfte + Platte oben -Quarter hip bracket + upper plate op bestelling, sur commande auf Bestellung, on demand | 1 | Stuk Pièce Stück Pièce | VR011N VR011V VR2011 | <table border="1"> <tr><td>BR</td><td>X</td></tr> <tr><td>AN</td><td>X</td></tr> <tr><td>KL</td><td>X</td></tr> <tr><td>GS</td><td>X</td></tr> <tr><td>Z</td><td></td></tr> <tr><td>W</td><td></td></tr> </table> | BR | X | AN | X | KL | X | GS | X | Z | | W | |
| BR | X | | | | | | | | | | | | | | | | |
| AN | X | | | | | | | | | | | | | | | | |
| KL | X | | | | | | | | | | | | | | | | |
| GS | X | | | | | | | | | | | | | | | | |
| Z | | | | | | | | | | | | | | | | | |
| W | | | | | | | | | | | | | | | | | |

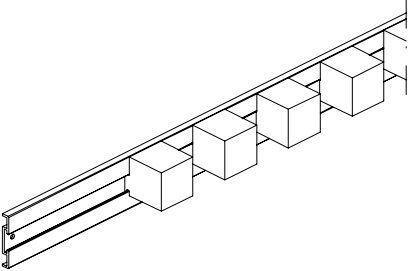




BR = BRUT - BRUT - ROH - BRUT
 AN (X) = ANODISATIE - ANODISE - ELOXIERT - ANODISED
 AN (■) = GELAKT - LAQUE - LACKIERT - LACQUERED -- RAL9006M
 KL = STANDAARDKLEUREN - COULEUR STANDARD - BASIS FARBEN - BASIC COLORS
 GS = GEMOFFELD SPECIAAL - LAQUE SPECIAL - SPECIALFARBE - SPECIAL COLOR
 Z = ZWART - NOIR - SCHWARZ - BLACK
 W = WIT - BLANC - WEISS - WHITE

 GEREEDSCHAP - OUTILLAGE
 WERKZEUG - TOOL
 BEVESTIGING - FIXATION
 BEFESTIGUNG - FIXATION





| | | Verp. per Emb. par Pack pr. Pack pr. | Einheid Unité Einheit Unit | Toepassing Application Anwendung Application | Kleur Couleur Farbe Color | | | | | | | | | | | | |
|--|---|---|-------------------------------------|---|---|----|---|----|---|----|---|----|---|---|--|---|--|
|  <p>VOORBEELD, EXEMPLE, BEISPIEL, EXAMPLE</p> | <p>ACVR301</p> <ul style="list-style-type: none"> -Half nokstuk + bovenplaat -Demi faîtière + plaque supérieure -Halbe Hüfte + Platte oben -Half hip bracket + upper plate <p>op bestelling, sur commande auf Bestellung, on demand</p> | 1 | Stuk Pièce Stück Pièce | VR011N VR011V VR2011 | <table border="1"> <tr><td>BR</td><td>X</td></tr> <tr><td>AN</td><td>X</td></tr> <tr><td>KL</td><td>X</td></tr> <tr><td>GS</td><td>X</td></tr> <tr><td>Z</td><td></td></tr> <tr><td>W</td><td></td></tr> </table> | BR | X | AN | X | KL | X | GS | X | Z | | W | |
| BR | X | | | | | | | | | | | | | | | | |
| AN | X | | | | | | | | | | | | | | | | |
| KL | X | | | | | | | | | | | | | | | | |
| GS | X | | | | | | | | | | | | | | | | |
| Z | | | | | | | | | | | | | | | | | |
| W | | | | | | | | | | | | | | | | | |
|  <p>VOORBEELD, EXEMPLE, BEISPIEL, EXAMPLE</p> | <p>ACVR302</p> <ul style="list-style-type: none"> -Rond nokstuk + bovenplaat -Faîtière circulaire + plaque supérieure -Hüfte rund + Platte oben -Round hip bracket + upper plate <p>op bestelling, sur commande auf Bestellung, on demand</p> | 1 | Stuk Pièce Stück Pièce | VR011N VR011V VR2011 | <table border="1"> <tr><td>BR</td><td>X</td></tr> <tr><td>AN</td><td>X</td></tr> <tr><td>KL</td><td>X</td></tr> <tr><td>GS</td><td>X</td></tr> <tr><td>Z</td><td></td></tr> <tr><td>W</td><td></td></tr> </table> | BR | X | AN | X | KL | X | GS | X | Z | | W | |
| BR | X | | | | | | | | | | | | | | | | |
| AN | X | | | | | | | | | | | | | | | | |
| KL | X | | | | | | | | | | | | | | | | |
| GS | X | | | | | | | | | | | | | | | | |
| Z | | | | | | | | | | | | | | | | | |
| W | | | | | | | | | | | | | | | | | |
|  <p>VOORBEELD, EXEMPLE, BEISPIEL, EXAMPLE</p> | <p>ACVR305</p> <ul style="list-style-type: none"> -Gelast stuk voor VR2121 -Pièce soudé pour VR2121 -Geschweisst stück für VR2121 -Welded piece for VR2121 <p>op bestelling, sur commande auf Bestellung, on demand</p> | 1 | Stuk Pièce Stück Pièce | VR2121 | <table border="1"> <tr><td>BR</td><td></td></tr> <tr><td>AN</td><td></td></tr> <tr><td>KL</td><td></td></tr> <tr><td>GS</td><td></td></tr> <tr><td>Z</td><td></td></tr> <tr><td>W</td><td></td></tr> </table> | BR | | AN | | KL | | GS | | Z | | W | |
| BR | | | | | | | | | | | | | | | | | |
| AN | | | | | | | | | | | | | | | | | |
| KL | | | | | | | | | | | | | | | | | |
| GS | | | | | | | | | | | | | | | | | |
| Z | | | | | | | | | | | | | | | | | |
| W | | | | | | | | | | | | | | | | | |
|  <p>VOORBEELD, EXEMPLE, BEISPIEL, EXAMPLE</p> | <p>ACVR306</p> <ul style="list-style-type: none"> -Gelast stuk -Pièce soudé -Geschweisst stück -Welded piece <p>op bestelling, sur commande auf Bestellung, on demand</p> | 1 | Stuk Pièce Stück Pièce | VR011N | <table border="1"> <tr><td>BR</td><td></td></tr> <tr><td>AN</td><td></td></tr> <tr><td>KL</td><td></td></tr> <tr><td>GS</td><td></td></tr> <tr><td>Z</td><td></td></tr> <tr><td>W</td><td></td></tr> </table> | BR | | AN | | KL | | GS | | Z | | W | |
| BR | | | | | | | | | | | | | | | | | |
| AN | | | | | | | | | | | | | | | | | |
| KL | | | | | | | | | | | | | | | | | |
| GS | | | | | | | | | | | | | | | | | |
| Z | | | | | | | | | | | | | | | | | |
| W | | | | | | | | | | | | | | | | | |
|  <p>VOORBEELD, EXEMPLE, BEISPIEL, EXAMPLE</p> | <p>ACVR322</p> <ul style="list-style-type: none"> -Bevestiging voor paal <-> goot -Fixation poteaux <-> gouttière -Verbindung Pfosten <-> Dachrinne -Fixation post <-> gutter | 1 | Stuk Pièce Stück Pièce | VR2571 VR573 | <table border="1"> <tr><td>BR</td><td></td></tr> <tr><td>AN</td><td></td></tr> <tr><td>KL</td><td></td></tr> <tr><td>GS</td><td></td></tr> <tr><td>Z</td><td></td></tr> <tr><td>W</td><td></td></tr> </table> | BR | | AN | | KL | | GS | | Z | | W | |
| BR | | | | | | | | | | | | | | | | | |
| AN | | | | | | | | | | | | | | | | | |
| KL | | | | | | | | | | | | | | | | | |
| GS | | | | | | | | | | | | | | | | | |
| Z | | | | | | | | | | | | | | | | | |
| W | | | | | | | | | | | | | | | | | |



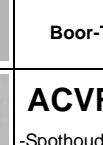
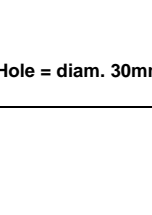



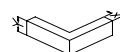
| | | Verp. per Emb. par Pack pr. Pack pr. | Eenheid Unité Einheit Unit | Toepassing Application Anwendung Application | Kleur Couleur Farbe Color | | | | | | | | | | | | |
|---|---|---|-------------------------------------|---|---|----|---|----|---|----|---|----|---|---|---|---|---|
|  | <p>ACVR425</p> <p>-Qubic finish "dentil" -Qubic finish "dentil" -Qubic finish "dentil" -Qubic finish "dentil"</p> <p>H = 50mm L = 3000mm</p> | 1 | Stuk Pièce Stück Piece | | <table border="1"> <tr><td>BR</td><td>X</td></tr> <tr><td>AN</td><td>X</td></tr> <tr><td>KL</td><td>X</td></tr> <tr><td>GS</td><td>X</td></tr> <tr><td>Z</td><td></td></tr> <tr><td>W</td><td></td></tr> </table> | BR | X | AN | X | KL | X | GS | X | Z | | W | |
| BR | X | | | | | | | | | | | | | | | | |
| AN | X | | | | | | | | | | | | | | | | |
| KL | X | | | | | | | | | | | | | | | | |
| GS | X | | | | | | | | | | | | | | | | |
| Z | | | | | | | | | | | | | | | | | |
| W | | | | | | | | | | | | | | | | | |
|  | <p>ACVR510</p> <p>-Inbouwspot PICOLO 12V - Max. 35W -Spot encastrable PICOLO 12V - Max. 35W -Einbau-Spotlight PICOLO 12V - Max. 35W -Built-in spotlight PICOLO 12V - Max. 35W</p> <p>Boor-Trou-Loch-Hole = diam. 38mm</p> | 1 | Stuk Pièce Stück Piece | VR011N VR011V VR2011 ACVR218 | <table border="1"> <tr><td>BR</td><td></td></tr> <tr><td>AN</td><td></td></tr> <tr><td>KL</td><td>X</td></tr> <tr><td>GS</td><td>X</td></tr> <tr><td>Z</td><td></td></tr> <tr><td>W</td><td></td></tr> </table> <p>CHROOM</p> | BR | | AN | | KL | X | GS | X | Z | | W | |
| BR | | | | | | | | | | | | | | | | | |
| AN | | | | | | | | | | | | | | | | | |
| KL | X | | | | | | | | | | | | | | | | |
| GS | X | | | | | | | | | | | | | | | | |
| Z | | | | | | | | | | | | | | | | | |
| W | | | | | | | | | | | | | | | | | |
|  | <p>ACVR511</p> <p>-Opbouwspot op staaf 7cm - 220V - Max. 50W -Spot sur barre 7cm - 220V - Max. 50W -Spotlight auf stab 7cm - 220V - Max. 50W -Spotlight on bar 7cm - 220V - Max. 50W</p> <p>Boor-Trou-Loch-Hole = diam. 29mm</p> | 1 | Stuk Pièce Stück Piece | VR011N VR011V VR2011 | <table border="1"> <tr><td>BR</td><td></td></tr> <tr><td>AN</td><td></td></tr> <tr><td>KL</td><td></td></tr> <tr><td>GS</td><td></td></tr> <tr><td>Z</td><td>X</td></tr> <tr><td>W</td><td></td></tr> </table> | BR | | AN | | KL | | GS | | Z | X | W | |
| BR | | | | | | | | | | | | | | | | | |
| AN | | | | | | | | | | | | | | | | | |
| KL | | | | | | | | | | | | | | | | | |
| GS | | | | | | | | | | | | | | | | | |
| Z | X | | | | | | | | | | | | | | | | |
| W | | | | | | | | | | | | | | | | | |
|  | <p>ACVR516</p> <p>-Inbouwspot vast 220V - incl lamp 50W -Spot encastrable fixe 220V - incl lampe 50W -Einbau-Spotlight fest 220V - inkl lampe 50W -Built-in spotlight fixed 220V - incl lamp 50W</p> <p>Boor-Trou-Loch-Hole = diam. 49mm</p> | 1 | Stuk Pièce Stück Piece | VR011N VR011V VR2011 | <table border="1"> <tr><td>BR</td><td></td></tr> <tr><td>AN</td><td></td></tr> <tr><td>KL</td><td></td></tr> <tr><td>GS</td><td></td></tr> <tr><td>Z</td><td>X</td></tr> <tr><td>W</td><td>X</td></tr> </table> | BR | | AN | | KL | | GS | | Z | X | W | X |
| BR | | | | | | | | | | | | | | | | | |
| AN | | | | | | | | | | | | | | | | | |
| KL | | | | | | | | | | | | | | | | | |
| GS | | | | | | | | | | | | | | | | | |
| Z | X | | | | | | | | | | | | | | | | |
| W | X | | | | | | | | | | | | | | | | |
|  | <p>ACVR517</p> <p>-Inbouwspot wentelbaar 12V - incl lamp 20W -Spot encastrable pivote 12V - incl lampe 20W -Einbau-Spotlight beweglich 12V - inkl lampe 20W -Built-in pivot spotlight 12V - incl lamp 20W</p> <p>Boor-Trou-Loch-Hole = diam. 49mm</p> | 1 | Stuk Pièce Stück Piece | VR011N VR011V VR2011 | <table border="1"> <tr><td>BR</td><td></td></tr> <tr><td>AN</td><td></td></tr> <tr><td>KL</td><td></td></tr> <tr><td>GS</td><td></td></tr> <tr><td>Z</td><td>X</td></tr> <tr><td>W</td><td>X</td></tr> </table> <p>CHROOM</p> | BR | | AN | | KL | | GS | | Z | X | W | X |
| BR | | | | | | | | | | | | | | | | | |
| AN | | | | | | | | | | | | | | | | | |
| KL | | | | | | | | | | | | | | | | | |
| GS | | | | | | | | | | | | | | | | | |
| Z | X | | | | | | | | | | | | | | | | |
| W | X | | | | | | | | | | | | | | | | |

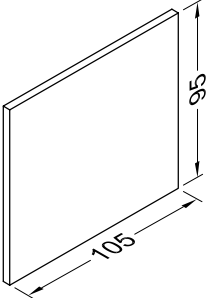
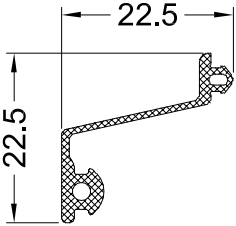
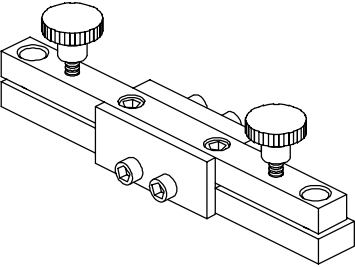

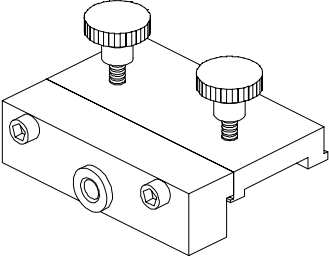
BR = BRUT - BRUT - ROH - BRUT
 AN (X) = ANODISATIE - ANODISE - ELOXIERT - ANODISED
 AN (■) = GELAKT - LAQUE - LACKIERT - LACQUERED -- RAL9006M
 KL = STANDAARDKLEUREN - COULEUR STANDARD - BASIS FARBEN - BASIC COLORS
 GS = GEMOFFELD SPECIAAL - LAQUE SPECIAL - SPECIALFARBE - SPECIAL COLOR
 Z = ZWART - NOIR - SCHWARZ - BLACK
 W = WIT - BLANC - WEISS - WHITE

GEREEDSCHAP - OUTILLAGE
 WERKZEUG - TOOL

 BEVESTIGING - FIXATION
 BEFESTIGUNG - FIXATION





| | Verp. per Emb. par Pack pr. | Einheid Unité Einheit Unit | Toepassing Application Anwendung Application | Kleur Couleur Farbe Color | | | | | | | | | | | | |
|--|-----------------------------------|-------------------------------------|---|---|----|--|----|--|----|--|----|--|---|---|---|---|
|  <p>ACVR519 -Spot 220V - incl lamp 50W -Spot 220V - incl lampe 50W -Spotlight 220V - inkl lampe 50W -Spotlight 220V - incl lamp 50W</p> <p>Boor-Trou-Loch-Hole = diam. 30mm</p> | 1 | Stuk Pièce Stück Pièce | VR011N VR011V VR2011 | <table border="1"> <tr><td>BR</td><td></td></tr> <tr><td>AN</td><td></td></tr> <tr><td>KL</td><td></td></tr> <tr><td>GS</td><td></td></tr> <tr><td>Z</td><td>X</td></tr> <tr><td>W</td><td>X</td></tr> </table> | BR | | AN | | KL | | GS | | Z | X | W | X |
| BR | | | | | | | | | | | | | | | | |
| AN | | | | | | | | | | | | | | | | |
| KL | | | | | | | | | | | | | | | | |
| GS | | | | | | | | | | | | | | | | |
| Z | X | | | | | | | | | | | | | | | |
| W | X | | | | | | | | | | | | | | | |
|  <p>ACVR520 -Sphouder -Armature spot -Lampen Passung -Spholder</p> <p>Boor-Trou-Loch-Hole = diam. 43mm</p> | 1 | Stuk Pièce Stück Pièce | ACVR218 | <table border="1"> <tr><td>BR</td><td></td></tr> <tr><td>AN</td><td></td></tr> <tr><td>KL</td><td></td></tr> <tr><td>GS</td><td></td></tr> <tr><td>Z</td><td>X</td></tr> <tr><td>W</td><td>X</td></tr> </table> | BR | | AN | | KL | | GS | | Z | X | W | X |
| BR | | | | | | | | | | | | | | | | |
| AN | | | | | | | | | | | | | | | | |
| KL | | | | | | | | | | | | | | | | |
| GS | | | | | | | | | | | | | | | | |
| Z | X | | | | | | | | | | | | | | | |
| W | X | | | | | | | | | | | | | | | |
|  <p>ACVR600 x -Afstandhouder 35mm/45mm -Espaceur 35mm/45mm -Distanzstück 35mm/45mm -Spacer 35mm/45mm</p> <p>x = groen, vert, grün, green</p> | 1 | Stuk Pièce Stück Pièce | | <table border="1"> <tr><td>BR</td><td></td></tr> <tr><td>AN</td><td></td></tr> <tr><td>KL</td><td></td></tr> <tr><td>GS</td><td></td></tr> <tr><td>Z</td><td></td></tr> <tr><td>W</td><td></td></tr> </table> | BR | | AN | | KL | | GS | | Z | | W | |
| BR | | | | | | | | | | | | | | | | |
| AN | | | | | | | | | | | | | | | | |
| KL | | | | | | | | | | | | | | | | |
| GS | | | | | | | | | | | | | | | | |
| Z | | | | | | | | | | | | | | | | |
| W | | | | | | | | | | | | | | | | |
|  <p>ACVR601 x -Afstandhouder 55mm/65mm -Espaceur 55mm/65mm -Distanzstück 55mm/65mm -Spacer 55mm/65mm</p> <p>x = blauw, bleu, blau, blue</p> | 1 | Stuk Pièce Stück Pièce | | <table border="1"> <tr><td>BR</td><td></td></tr> <tr><td>AN</td><td></td></tr> <tr><td>KL</td><td></td></tr> <tr><td>GS</td><td></td></tr> <tr><td>Z</td><td></td></tr> <tr><td>W</td><td></td></tr> </table> | BR | | AN | | KL | | GS | | Z | | W | |
| BR | | | | | | | | | | | | | | | | |
| AN | | | | | | | | | | | | | | | | |
| KL | | | | | | | | | | | | | | | | |
| GS | | | | | | | | | | | | | | | | |
| Z | | | | | | | | | | | | | | | | |
| W | | | | | | | | | | | | | | | | |
|  <p>ACVR602 x -Afstandhouder 75mm/85mm -Espaceur 75mm/85mm -Distanzstück 75mm/85mm -Spacer 75mm/85mm</p> <p>x = rood, rouge, rot, red</p> | 1 | Stuk Pièce Stück Pièce | | <table border="1"> <tr><td>BR</td><td></td></tr> <tr><td>AN</td><td></td></tr> <tr><td>KL</td><td></td></tr> <tr><td>GS</td><td></td></tr> <tr><td>Z</td><td></td></tr> <tr><td>W</td><td></td></tr> </table> | BR | | AN | | KL | | GS | | Z | | W | |
| BR | | | | | | | | | | | | | | | | |
| AN | | | | | | | | | | | | | | | | |
| KL | | | | | | | | | | | | | | | | |
| GS | | | | | | | | | | | | | | | | |
| Z | | | | | | | | | | | | | | | | |
| W | | | | | | | | | | | | | | | | |

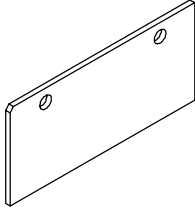

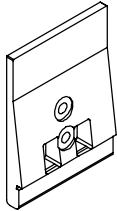
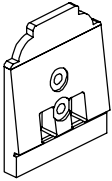
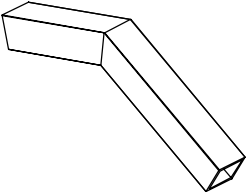


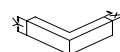
| | | Verp. per Emb. par Pack pr. Pack pr. | Eenheid Unité Einheit Unit | Toepassing Application Anwendung Application | Kleur Couleur Farbe Color | | | | | | | | | | | | |
|---|--|---|-------------------------------------|---|---|----|---|----|---|----|---|----|---|---|--|---|--|
|  | ACVR603 x -Afstandshouder 95mm/105mm -Espaceur 95mm/105mm -Distanzstück 95mm/105mm -Spacer 95mm/105mm x = geel, jaune, gelb, yellow | 1 | Stuk Pièce Stück Piece | | <table border="1"> <tr><td>BR</td><td></td></tr> <tr><td>AN</td><td></td></tr> <tr><td>KL</td><td></td></tr> <tr><td>GS</td><td></td></tr> <tr><td>Z</td><td></td></tr> <tr><td>W</td><td></td></tr> </table> | BR | | AN | | KL | | GS | | Z | | W | |
| BR | | | | | | | | | | | | | | | | | |
| AN | | | | | | | | | | | | | | | | | |
| KL | | | | | | | | | | | | | | | | | |
| GS | | | | | | | | | | | | | | | | | |
| Z | | | | | | | | | | | | | | | | | |
| W | | | | | | | | | | | | | | | | | |
|  | ACVR720 -Rubber -Gache -Abdichtungsgummi -Gasket | 50 | m | VR2720 VR2721 | <table border="1"> <tr><td>BR</td><td></td></tr> <tr><td>AN</td><td></td></tr> <tr><td>KL</td><td></td></tr> <tr><td>GS</td><td></td></tr> <tr><td>Z</td><td></td></tr> <tr><td>W</td><td></td></tr> </table> | BR | | AN | | KL | | GS | | Z | | W | |
| BR | | | | | | | | | | | | | | | | | |
| AN | | | | | | | | | | | | | | | | | |
| KL | | | | | | | | | | | | | | | | | |
| GS | | | | | | | | | | | | | | | | | |
| Z | | | | | | | | | | | | | | | | | |
| W | | | | | | | | | | | | | | | | | |
|  | ACVR900 -Boormal -Calibre -Bohrschablone -Boring jig set | 1 | Stuk Pièce Stück Piece | VR2021 VR2121 | <table border="1"> <tr><td>BR</td><td></td></tr> <tr><td>AN</td><td></td></tr> <tr><td>KL</td><td></td></tr> <tr><td>GS</td><td></td></tr> <tr><td>Z</td><td></td></tr> <tr><td>W</td><td></td></tr> </table> | BR | | AN | | KL | | GS | | Z | | W | |
| BR | | | | | | | | | | | | | | | | | |
| AN | | | | | | | | | | | | | | | | | |
| KL | | | | | | | | | | | | | | | | | |
| GS | | | | | | | | | | | | | | | | | |
| Z | | | | | | | | | | | | | | | | | |
| W | | | | | | | | | | | | | | | | | |
|  | ACVR910 -Eindplaat gordijnrail -Embout pour rail cache rideau -Endplatte für Vorhang Profil -End plate for curtain rail DIN7981 4.2x16 | 1 10 | Stuk Pièce Stück Piece | VR910 | <table border="1"> <tr><td>BR</td><td>X</td></tr> <tr><td>AN</td><td>X</td></tr> <tr><td>KL</td><td>X</td></tr> <tr><td>GS</td><td>X</td></tr> <tr><td>Z</td><td></td></tr> <tr><td>W</td><td></td></tr> </table> | BR | X | AN | X | KL | X | GS | X | Z | | W | |
| BR | X | | | | | | | | | | | | | | | | |
| AN | X | | | | | | | | | | | | | | | | |
| KL | X | | | | | | | | | | | | | | | | |
| GS | X | | | | | | | | | | | | | | | | |
| Z | | | | | | | | | | | | | | | | | |
| W | | | | | | | | | | | | | | | | | |
|  | ACVR911 -Boormal -Calibre -Bohrschablone -Boring jig set | 1 | Stuk Pièce Stück Piece | VR2116 VR2117 | <table border="1"> <tr><td>BR</td><td></td></tr> <tr><td>AN</td><td></td></tr> <tr><td>KL</td><td></td></tr> <tr><td>GS</td><td></td></tr> <tr><td>Z</td><td></td></tr> <tr><td>W</td><td></td></tr> </table> | BR | | AN | | KL | | GS | | Z | | W | |
| BR | | | | | | | | | | | | | | | | | |
| AN | | | | | | | | | | | | | | | | | |
| KL | | | | | | | | | | | | | | | | | |
| GS | | | | | | | | | | | | | | | | | |
| Z | | | | | | | | | | | | | | | | | |
| W | | | | | | | | | | | | | | | | | |

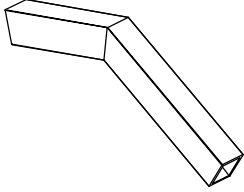
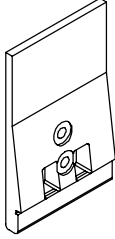
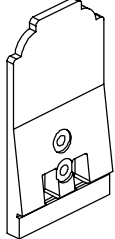
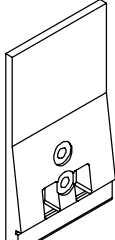
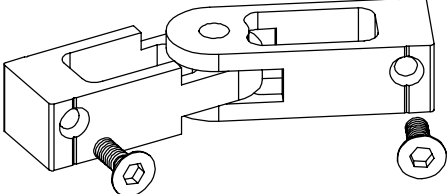
BR = BRUT - BRUT - ROH - BRUT
 AN (X) = ANODISATIE - ANODISE - ELOXIERT - ANODISED
 AN (■) = GELAKT - LAQUE - LACKIERT - LACQUERED -- RAL9006M
 KL = STANDAARDKLEUREN - COULEUR STANDARD - BASIS FARBEN - BASIC COLORS
 GS = GEMOFFELD SPECIAAL - LAQUE SPECIAL - SPECIALFARBE - SPECIAL COLOR
 Z = ZWART - NOIR - SCHWARZ - BLACK
 W = WIT - BLANC - WEISS - WHITE

 GEREEDSCHAP - OUTILLAGE
 WERKZEUG - TOOL
 BEVESTIGING - FIXATION
 BEFESTIGUNG - FIXATION



| | | Verp. per Emb. par Pack pr. | Einheid Unité Einheit Unit | Toepassing Application Anwendung Application | Kleur Couleur Farbe Color | | | | | | | | | | | | |
|--|--|-----------------------------------|-------------------------------------|---|---|----|---|----|---|----|---|----|---|---|---|---|---|
|  | ACVR912 -Eindplaat gordijnrail enkel -Embout pour rail cache rideau simple -Endplatte für Vorhangschiene einzeln -End plate for curtain rail single ➔ DIN7981 4.2x16 | 1 | Stuk Pièce Stück Pièce | VR912 | <table border="1"> <tr><td>BR</td><td>X</td></tr> <tr><td>AN</td><td>X</td></tr> <tr><td>KL</td><td>X</td></tr> <tr><td>GS</td><td>X</td></tr> <tr><td>Z</td><td></td></tr> <tr><td>W</td><td></td></tr> </table> | BR | X | AN | X | KL | X | GS | X | Z | | W | |
| BR | X | | | | | | | | | | | | | | | | |
| AN | X | | | | | | | | | | | | | | | | |
| KL | X | | | | | | | | | | | | | | | | |
| GS | X | | | | | | | | | | | | | | | | |
| Z | | | | | | | | | | | | | | | | | |
| W | | | | | | | | | | | | | | | | | |
|  | ACVR916 -Nylon glijder -Glissière en nylon -Nylon gleiter -Nylon glider | 100 | Stuk Pièce Stück Pièce | VR910 VR912 | <table border="1"> <tr><td>BR</td><td></td></tr> <tr><td>AN</td><td></td></tr> <tr><td>KL</td><td></td></tr> <tr><td>GS</td><td></td></tr> <tr><td>Z</td><td></td></tr> <tr><td>W</td><td></td></tr> </table> | BR | | AN | | KL | | GS | | Z | | W | |
| BR | | | | | | | | | | | | | | | | | |
| AN | | | | | | | | | | | | | | | | | |
| KL | | | | | | | | | | | | | | | | | |
| GS | | | | | | | | | | | | | | | | | |
| Z | | | | | | | | | | | | | | | | | |
| W | | | | | | | | | | | | | | | | | |
|  | ACVR1015 -Eindstuk 76mm -Pièce latérale 76mm -Abdichtung 76mm -Sealing 76mm | 1 10 | Stuk Pièce Stück Pièce | VR514 VR515 VR515A | <table border="1"> <tr><td>BR</td><td></td></tr> <tr><td>AN</td><td></td></tr> <tr><td>KL</td><td></td></tr> <tr><td>GS</td><td></td></tr> <tr><td>Z</td><td>X</td></tr> <tr><td>W</td><td>X</td></tr> </table> | BR | | AN | | KL | | GS | | Z | X | W | X |
| BR | | | | | | | | | | | | | | | | | |
| AN | | | | | | | | | | | | | | | | | |
| KL | | | | | | | | | | | | | | | | | |
| GS | | | | | | | | | | | | | | | | | |
| Z | X | | | | | | | | | | | | | | | | |
| W | X | | | | | | | | | | | | | | | | |
|  | ACVR1016 -Eindstuk 70mm -Pièce latérale 70mm -Abdichtung 70mm -Sealing 70mm | 1 10 | Stuk Pièce Stück Pièce | VR514 VR515 VR515A | <table border="1"> <tr><td>BR</td><td></td></tr> <tr><td>AN</td><td></td></tr> <tr><td>KL</td><td></td></tr> <tr><td>GS</td><td></td></tr> <tr><td>Z</td><td>X</td></tr> <tr><td>W</td><td>X</td></tr> </table> | BR | | AN | | KL | | GS | | Z | X | W | X |
| BR | | | | | | | | | | | | | | | | | |
| AN | | | | | | | | | | | | | | | | | |
| KL | | | | | | | | | | | | | | | | | |
| GS | | | | | | | | | | | | | | | | | |
| Z | X | | | | | | | | | | | | | | | | |
| W | X | | | | | | | | | | | | | | | | |
|  VOORBEELD, EXEMPLE, BEISPIEL, EXAMPLE | ALU ACVR1307 -Koppelstuk -Pièce de jonction -Verbindungsstück -Connecting piece op bestelling, sur commande auf Bestellung, on demand | 1 | Stuk Pièce Stück Pièce | VR111N | <table border="1"> <tr><td>BR</td><td></td></tr> <tr><td>AN</td><td></td></tr> <tr><td>KL</td><td></td></tr> <tr><td>GS</td><td></td></tr> <tr><td>Z</td><td></td></tr> <tr><td>W</td><td></td></tr> </table> | BR | | AN | | KL | | GS | | Z | | W | |
| BR | | | | | | | | | | | | | | | | | |
| AN | | | | | | | | | | | | | | | | | |
| KL | | | | | | | | | | | | | | | | | |
| GS | | | | | | | | | | | | | | | | | |
| Z | | | | | | | | | | | | | | | | | |
| W | | | | | | | | | | | | | | | | | |

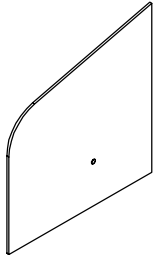
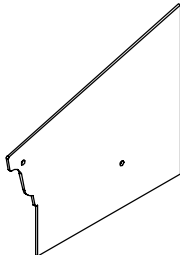
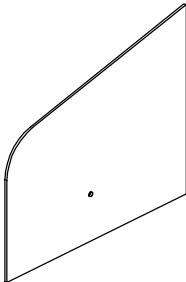
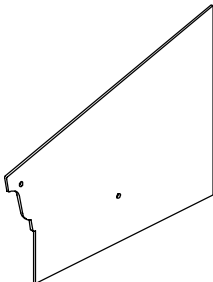
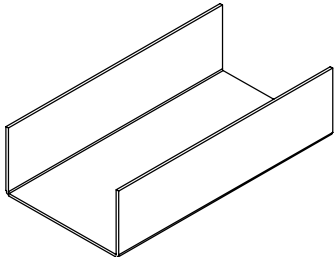


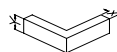
| | Verp. per Emb. par Pack pr. Pack pr. | Eenheid Unité Einheit Unit | Toepassing Application Anwendung Application | Kleur Couleur Farbe Color | | | | | | | | | | | | |
|---|---|-------------------------------------|---|---|----|--|----|--|----|--|----|--|---|---|---|---|
|  <p>ALU ACVR1308 -Koppelstuk -Pièce de jonction -Verbindungsstück -Connecting piece</p> <p>op bestelling, sur commande auf Bestellung, on demand</p> <p>VOORBEELD, EXEMPLE, BEISPIEL, EXEMPLE</p> | 1 | Stuk Pièce Stück Piece | VR111V | <table border="1"> <tr><td>BR</td><td></td></tr> <tr><td>AN</td><td></td></tr> <tr><td>KL</td><td></td></tr> <tr><td>GS</td><td></td></tr> <tr><td>Z</td><td></td></tr> <tr><td>W</td><td></td></tr> </table> | BR | | AN | | KL | | GS | | Z | | W | |
| BR | | | | | | | | | | | | | | | | |
| AN | | | | | | | | | | | | | | | | |
| KL | | | | | | | | | | | | | | | | |
| GS | | | | | | | | | | | | | | | | |
| Z | | | | | | | | | | | | | | | | |
| W | | | | | | | | | | | | | | | | |
|  <p>ACVR2015 -Eindstuk 91mm -Pièce latérale 91mm -Abdichtung 91mm -Sealing 91mm</p> | 1 10 | Stuk Pièce Stück Piece | VR514 VR515 VR515A | <table border="1"> <tr><td>BR</td><td></td></tr> <tr><td>AN</td><td></td></tr> <tr><td>KL</td><td></td></tr> <tr><td>GS</td><td></td></tr> <tr><td>Z</td><td>X</td></tr> <tr><td>W</td><td>X</td></tr> </table> | BR | | AN | | KL | | GS | | Z | X | W | X |
| BR | | | | | | | | | | | | | | | | |
| AN | | | | | | | | | | | | | | | | |
| KL | | | | | | | | | | | | | | | | |
| GS | | | | | | | | | | | | | | | | |
| Z | X | | | | | | | | | | | | | | | |
| W | X | | | | | | | | | | | | | | | |
|  <p>ACVR2016 -Eindstuk 105mm -Pièce latérale 105mm -Abdichtung 105mm -Sealing 105mm</p> | 1 10 | Stuk Pièce Stück Piece | VR514 VR515 VR515A | <table border="1"> <tr><td>BR</td><td></td></tr> <tr><td>AN</td><td></td></tr> <tr><td>KL</td><td></td></tr> <tr><td>GS</td><td></td></tr> <tr><td>Z</td><td>X</td></tr> <tr><td>W</td><td>X</td></tr> </table> | BR | | AN | | KL | | GS | | Z | X | W | X |
| BR | | | | | | | | | | | | | | | | |
| AN | | | | | | | | | | | | | | | | |
| KL | | | | | | | | | | | | | | | | |
| GS | | | | | | | | | | | | | | | | |
| Z | X | | | | | | | | | | | | | | | |
| W | X | | | | | | | | | | | | | | | |
|  <p>ACVR2017 -Eindstuk 102.5mm -Pièce latérale 102.5mm -Abdichtung 102.5mm -Sealing 102.5mm</p> | 1 10 | Stuk Pièce Stück Piece | VR514 VR515 VR515A | <table border="1"> <tr><td>BR</td><td></td></tr> <tr><td>AN</td><td></td></tr> <tr><td>KL</td><td></td></tr> <tr><td>GS</td><td></td></tr> <tr><td>Z</td><td>X</td></tr> <tr><td>W</td><td>X</td></tr> </table> | BR | | AN | | KL | | GS | | Z | X | W | X |
| BR | | | | | | | | | | | | | | | | |
| AN | | | | | | | | | | | | | | | | |
| KL | | | | | | | | | | | | | | | | |
| GS | | | | | | | | | | | | | | | | |
| Z | X | | | | | | | | | | | | | | | |
| W | X | | | | | | | | | | | | | | | |
|  <p>ACVR2020 -Variabel koppelstuk voor goot -Jonction variable pour gouttière -Variabel Verbindung für Dachrinne -Variable cleat for gutter</p> | 1 | Stuk Pièce Stück Piece | VR2021 VR2121 | <table border="1"> <tr><td>BR</td><td></td></tr> <tr><td>AN</td><td></td></tr> <tr><td>KL</td><td></td></tr> <tr><td>GS</td><td></td></tr> <tr><td>Z</td><td></td></tr> <tr><td>W</td><td></td></tr> </table> | BR | | AN | | KL | | GS | | Z | | W | |
| BR | | | | | | | | | | | | | | | | |
| AN | | | | | | | | | | | | | | | | |
| KL | | | | | | | | | | | | | | | | |
| GS | | | | | | | | | | | | | | | | |
| Z | | | | | | | | | | | | | | | | |
| W | | | | | | | | | | | | | | | | |

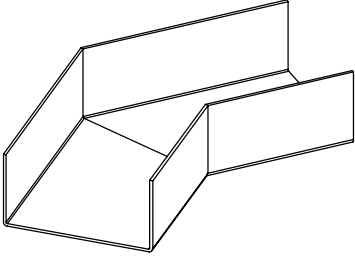
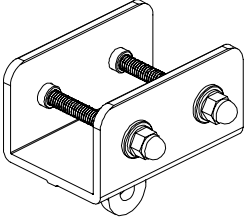
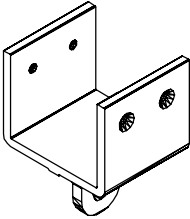
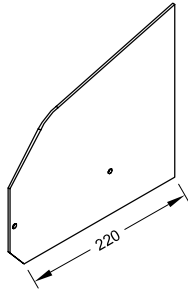
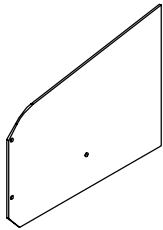
BR = BRUT - BRUT - ROH - BRUT
 AN (X) = ANODISATIE - ANODISE - ELOXIERT - ANODISED
 AN (■) = GELAKT - LAQUE - LACKIERT - LACQUERED -- RAL9006M
 KL = STANDAARDKLEUREN - COULEUR STANDARD - BASIS FARBEN - BASIC COLORS
 GS = GEMOFFELD SPECIAAL - LAQUE SPECIAL - SPECIALFARBE - SPECIAL COLOR
 Z = ZWART - NOIR - SCHWARZ - BLACK
 W = WIT - BLANC - WEISS - WHITE

GEREEDSCHAP - OUTILLAGE
 WERKZEUG - TOOL
 BEVESTIGING - FIXATION
 BEFESTIGUNG - FIXATION


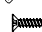


| | | Verp. per Emb. par Pack pr. | Einheid Unité Einheit Unit | Toepassing Application Anwendung Application | Kleur Couleur Farbe Color | | | | | | | | | | | | |
|---|---|-----------------------------------|-------------------------------------|---|---|----|---|----|---|----|---|----|---|---|--|---|--|
|  | ACVR2021 -Eindplaat -Plaque -Endstück -End piece | 1 10 | Stuk Pièce Stück Piece | VR2021 | <table border="1"> <tr><td>BR</td><td>X</td></tr> <tr><td>AN</td><td>X</td></tr> <tr><td>KL</td><td>X</td></tr> <tr><td>GS</td><td>X</td></tr> <tr><td>Z</td><td></td></tr> <tr><td>W</td><td></td></tr> </table> | BR | X | AN | X | KL | X | GS | X | Z | | W | |
| BR | X | | | | | | | | | | | | | | | | |
| AN | X | | | | | | | | | | | | | | | | |
| KL | X | | | | | | | | | | | | | | | | |
| GS | X | | | | | | | | | | | | | | | | |
| Z | | | | | | | | | | | | | | | | | |
| W | | | | | | | | | | | | | | | | | |
|  | ACVR2023 -Eindplaat -Plaque -Endstück -End piece | 1 10 | Stuk Pièce Stück Piece | VR2021 VT123 | <table border="1"> <tr><td>BR</td><td>X</td></tr> <tr><td>AN</td><td>X</td></tr> <tr><td>KL</td><td>X</td></tr> <tr><td>GS</td><td>X</td></tr> <tr><td>Z</td><td></td></tr> <tr><td>W</td><td></td></tr> </table> | BR | X | AN | X | KL | X | GS | X | Z | | W | |
| BR | X | | | | | | | | | | | | | | | | |
| AN | X | | | | | | | | | | | | | | | | |
| KL | X | | | | | | | | | | | | | | | | |
| GS | X | | | | | | | | | | | | | | | | |
| Z | | | | | | | | | | | | | | | | | |
| W | | | | | | | | | | | | | | | | | |
|  | ACVR2024 -Eindplaat - pergola -Plaque - pergola -Endstück - pergola -End piece - pergola | 1 10 | Stuk Pièce Stück Piece | VR2021 | <table border="1"> <tr><td>BR</td><td>X</td></tr> <tr><td>AN</td><td>X</td></tr> <tr><td>KL</td><td>X</td></tr> <tr><td>GS</td><td>X</td></tr> <tr><td>Z</td><td></td></tr> <tr><td>W</td><td></td></tr> </table> | BR | X | AN | X | KL | X | GS | X | Z | | W | |
| BR | X | | | | | | | | | | | | | | | | |
| AN | X | | | | | | | | | | | | | | | | |
| KL | X | | | | | | | | | | | | | | | | |
| GS | X | | | | | | | | | | | | | | | | |
| Z | | | | | | | | | | | | | | | | | |
| W | | | | | | | | | | | | | | | | | |
|  | ACVR2025 -Eindplaat - pergola -Plaque - pergola -Endstück - pergola -End piece - pergola | 1 10 | Stuk Pièce Stück Piece | VR2021 VT123 | <table border="1"> <tr><td>BR</td><td>X</td></tr> <tr><td>AN</td><td>X</td></tr> <tr><td>KL</td><td>X</td></tr> <tr><td>GS</td><td>X</td></tr> <tr><td>Z</td><td></td></tr> <tr><td>W</td><td></td></tr> </table> | BR | X | AN | X | KL | X | GS | X | Z | | W | |
| BR | X | | | | | | | | | | | | | | | | |
| AN | X | | | | | | | | | | | | | | | | |
| KL | X | | | | | | | | | | | | | | | | |
| GS | X | | | | | | | | | | | | | | | | |
| Z | | | | | | | | | | | | | | | | | |
| W | | | | | | | | | | | | | | | | | |
|  | ACVR2030 -Dilatatiestuk -Pièce de dilatation -Dilatation -Connection piece | 1 | Stuk Pièce Stück Piece | VR2021 | <table border="1"> <tr><td>BR</td><td></td></tr> <tr><td>AN</td><td></td></tr> <tr><td>KL</td><td></td></tr> <tr><td>GS</td><td></td></tr> <tr><td>Z</td><td></td></tr> <tr><td>W</td><td></td></tr> </table> | BR | | AN | | KL | | GS | | Z | | W | |
| BR | | | | | | | | | | | | | | | | | |
| AN | | | | | | | | | | | | | | | | | |
| KL | | | | | | | | | | | | | | | | | |
| GS | | | | | | | | | | | | | | | | | |
| Z | | | | | | | | | | | | | | | | | |
| W | | | | | | | | | | | | | | | | | |

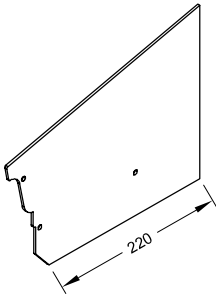
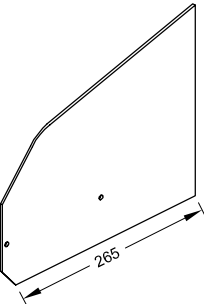
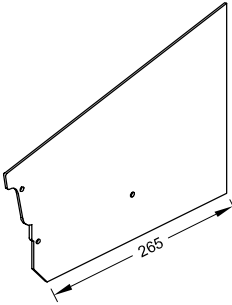

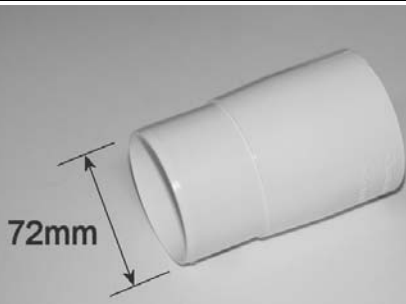


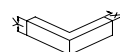
| | | Verp. per Emb. par Pack pr. Pack pr. | Eenheid Unité Einheit Unit | Toepassing Application Anwendung Application | Kleur Couleur Farbe Color | | | | | | | | | | | | |
|---|---|---|-------------------------------------|---|---|----|---|----|---|----|---|----|---|---|--|---|---|
|  | ACVR2031 Y -Variabel koppelstuk -Pièce raccord variable -Variabel Verbindungsstück -Variable coupling piece | 1 | Stuk Pièce Stück Piece | VR2021 | <table border="1"> <tr><td>BR</td><td></td></tr> <tr><td>AN</td><td></td></tr> <tr><td>KL</td><td></td></tr> <tr><td>GS</td><td></td></tr> <tr><td>Z</td><td></td></tr> <tr><td>W</td><td></td></tr> </table> | BR | | AN | | KL | | GS | | Z | | W | |
| BR | | | | | | | | | | | | | | | | | |
| AN | | | | | | | | | | | | | | | | | |
| KL | | | | | | | | | | | | | | | | | |
| GS | | | | | | | | | | | | | | | | | |
| Z | | | | | | | | | | | | | | | | | |
| W | | | | | | | | | | | | | | | | | |
|  | ACVR2068 -Verbindingsstuk voor trekker -Pièce de jonction pour tirant -Verbindung für Bracket -Binding joint for bracket | 1 | Stuk Pièce Stück Piece | VR011N VR011V VR2011 VR2011V | <table border="1"> <tr><td>BR</td><td>X</td></tr> <tr><td>AN</td><td></td></tr> <tr><td>KL</td><td>X</td></tr> <tr><td>GS</td><td>X</td></tr> <tr><td>Z</td><td></td></tr> <tr><td>W</td><td>X</td></tr> </table> | BR | X | AN | | KL | X | GS | X | Z | | W | X |
| BR | X | | | | | | | | | | | | | | | | |
| AN | | | | | | | | | | | | | | | | | |
| KL | X | | | | | | | | | | | | | | | | |
| GS | X | | | | | | | | | | | | | | | | |
| Z | | | | | | | | | | | | | | | | | |
| W | X | | | | | | | | | | | | | | | | |
|  | ACVR2069 -Verbindingsstuk voor trekker -Pièce de jonction pour tirant -Verbindung für Bracket -Binding joint for bracket | 1 | Stuk Pièce Stück Piece | VR011N VR011V | <table border="1"> <tr><td>BR</td><td>X</td></tr> <tr><td>AN</td><td></td></tr> <tr><td>KL</td><td>X</td></tr> <tr><td>GS</td><td>X</td></tr> <tr><td>Z</td><td></td></tr> <tr><td>W</td><td>X</td></tr> </table> | BR | X | AN | | KL | X | GS | X | Z | | W | X |
| BR | X | | | | | | | | | | | | | | | | |
| AN | | | | | | | | | | | | | | | | | |
| KL | X | | | | | | | | | | | | | | | | |
| GS | X | | | | | | | | | | | | | | | | |
| Z | | | | | | | | | | | | | | | | | |
| W | X | | | | | | | | | | | | | | | | |
|  | ACVR2121 -Eindplaat -Plaque -Endstück -End piece | 1 10 | Stuk Pièce Stück Piece | VR2121 of VR2021 + VR9522 | <table border="1"> <tr><td>BR</td><td>X</td></tr> <tr><td>AN</td><td>X</td></tr> <tr><td>KL</td><td>X</td></tr> <tr><td>GS</td><td>X</td></tr> <tr><td>Z</td><td></td></tr> <tr><td>W</td><td></td></tr> </table> | BR | X | AN | X | KL | X | GS | X | Z | | W | |
| BR | X | | | | | | | | | | | | | | | | |
| AN | X | | | | | | | | | | | | | | | | |
| KL | X | | | | | | | | | | | | | | | | |
| GS | X | | | | | | | | | | | | | | | | |
| Z | | | | | | | | | | | | | | | | | |
| W | | | | | | | | | | | | | | | | | |
|  | ACVR2122 -Eindplaat -Plaque -Endstück -End piece | 1 | Stuk Pièce Stück Piece | VR2121 + VR124 | <table border="1"> <tr><td>BR</td><td>X</td></tr> <tr><td>AN</td><td>X</td></tr> <tr><td>KL</td><td>X</td></tr> <tr><td>GS</td><td>X</td></tr> <tr><td>Z</td><td></td></tr> <tr><td>W</td><td></td></tr> </table> | BR | X | AN | X | KL | X | GS | X | Z | | W | |
| BR | X | | | | | | | | | | | | | | | | |
| AN | X | | | | | | | | | | | | | | | | |
| KL | X | | | | | | | | | | | | | | | | |
| GS | X | | | | | | | | | | | | | | | | |
| Z | | | | | | | | | | | | | | | | | |
| W | | | | | | | | | | | | | | | | | |

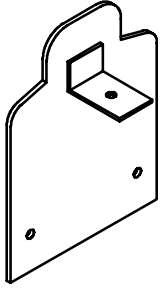
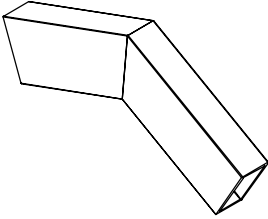
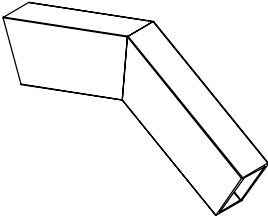


BR = BRUT - BRUT - ROH - BRUT
 AN (X) = ANODISATIE - ANODISE - ELOXIERT - ANODISED
 AN (■) = GELAKT - LAQUE - LACKIERT - LACQUERED -- RAL9006M
 KL = STANDAARDKLEUREN - COULEUR STANDARD - BASIS FARBEN - BASIC COLORS
 GS = GEMOFFELD SPECIAAL - LAQUE SPECIAL - SPECIALFARBE - SPECIAL COLOR
 Z = ZWART - NOIR - SCHWARZ - BLACK
 W = WIT - BLANC - WEISS - WHITE

 GEREEDSCHAP - OUTILLAGE
 WERKZEUG - TOOL
 BEVESTIGING - FIXATION
 BEFESTIGUNG - FIXATION


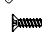


| | Verp. per Emb. par Pack pr. | Einheid Unité Einheit Unit | Toepassing Application Anwendung Application | Kleur Couleur Farbe Color | | | | | | | | | | | | |
|--|-----------------------------------|-------------------------------------|---|---|----|---|----|---|----|---|----|---|---|--|---|--|
|  <p>ACVR2123 -Eindplaat -Plaque -Endstück -End piece</p> | 1 10 | Stuk Pièce Stück Piece | VR2121 + VR123 | <table border="1"> <tr><td>BR</td><td>X</td></tr> <tr><td>AN</td><td>X</td></tr> <tr><td>KL</td><td>X</td></tr> <tr><td>GS</td><td>X</td></tr> <tr><td>Z</td><td></td></tr> <tr><td>W</td><td></td></tr> </table> | BR | X | AN | X | KL | X | GS | X | Z | | W | |
| BR | X | | | | | | | | | | | | | | | |
| AN | X | | | | | | | | | | | | | | | |
| KL | X | | | | | | | | | | | | | | | |
| GS | X | | | | | | | | | | | | | | | |
| Z | | | | | | | | | | | | | | | | |
| W | | | | | | | | | | | | | | | | |
|  <p>ACVR2124 -Eindplaat - pergola -Plaque - pergola -Endstück - pergola -End piece - pergola</p> | 1 10 | Stuk Pièce Stück Piece | VR2121 of VR2021 + VR9522 | <table border="1"> <tr><td>BR</td><td>X</td></tr> <tr><td>AN</td><td>X</td></tr> <tr><td>KL</td><td>X</td></tr> <tr><td>GS</td><td>X</td></tr> <tr><td>Z</td><td></td></tr> <tr><td>W</td><td></td></tr> </table> | BR | X | AN | X | KL | X | GS | X | Z | | W | |
| BR | X | | | | | | | | | | | | | | | |
| AN | X | | | | | | | | | | | | | | | |
| KL | X | | | | | | | | | | | | | | | |
| GS | X | | | | | | | | | | | | | | | |
| Z | | | | | | | | | | | | | | | | |
| W | | | | | | | | | | | | | | | | |
|  <p>ACVR2125 -Eindplaat - pergola -Plaque - pergola -Endstück - pergola -End piece - pergola</p> | 1 10 | Stuk Pièce Stück Piece | VR2121 + VR123 | <table border="1"> <tr><td>BR</td><td>X</td></tr> <tr><td>AN</td><td>X</td></tr> <tr><td>KL</td><td>X</td></tr> <tr><td>GS</td><td>X</td></tr> <tr><td>Z</td><td></td></tr> <tr><td>W</td><td></td></tr> </table> | BR | X | AN | X | KL | X | GS | X | Z | | W | |
| BR | X | | | | | | | | | | | | | | | |
| AN | X | | | | | | | | | | | | | | | |
| KL | X | | | | | | | | | | | | | | | |
| GS | X | | | | | | | | | | | | | | | |
| Z | | | | | | | | | | | | | | | | |
| W | | | | | | | | | | | | | | | | |
|  <p>ACVR2227 -Waterafvoer PVC -Crepine PVC -Regenabfur PVC -Leaf trap PVC</p> | 1 | Stuk Pièce Stück Piece | VR2021 VR2121 | <table border="1"> <tr><td>BR</td><td></td></tr> <tr><td>AN</td><td></td></tr> <tr><td>KL</td><td></td></tr> <tr><td>GS</td><td></td></tr> <tr><td>Z</td><td></td></tr> <tr><td>W</td><td></td></tr> </table> | BR | | AN | | KL | | GS | | Z | | W | |
| BR | | | | | | | | | | | | | | | | |
| AN | | | | | | | | | | | | | | | | |
| KL | | | | | | | | | | | | | | | | |
| GS | | | | | | | | | | | | | | | | |
| Z | | | | | | | | | | | | | | | | |
| W | | | | | | | | | | | | | | | | |
|  <p>ACVR2228 -Verloopstuk PVC voor goot Ø80 -> Ø75 -Manchon PVC pour gouttière Ø80 -> Ø75 -Fitting PVC für regenrinne Ø80 -> Ø75 -Muff PVC for gutter Ø80 -> Ø75</p> | 1 | Stuk Pièce Stück Piece | ACVR227 | <table border="1"> <tr><td>BR</td><td></td></tr> <tr><td>AN</td><td></td></tr> <tr><td>KL</td><td></td></tr> <tr><td>GS</td><td></td></tr> <tr><td>Z</td><td></td></tr> <tr><td>W</td><td></td></tr> </table> | BR | | AN | | KL | | GS | | Z | | W | |
| BR | | | | | | | | | | | | | | | | |
| AN | | | | | | | | | | | | | | | | |
| KL | | | | | | | | | | | | | | | | |
| GS | | | | | | | | | | | | | | | | |
| Z | | | | | | | | | | | | | | | | |
| W | | | | | | | | | | | | | | | | |

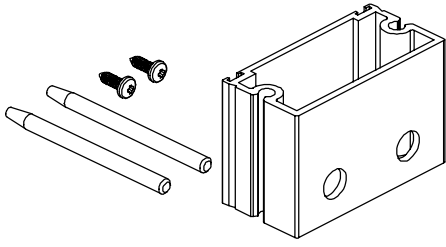
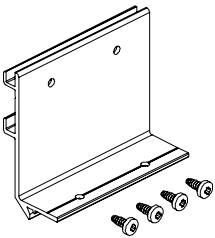

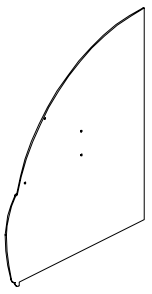
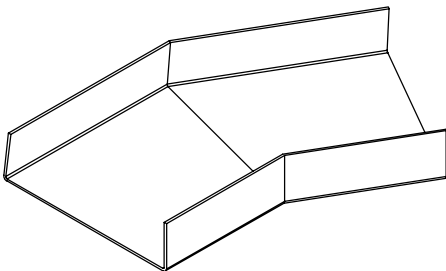


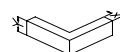
| | | Verp. per Emb. par Pack pr. Pack pr. | Eenheid Unité Einheit Unit | Toepassing Application Anwendung Application | Kleur Couleur Farbe Color | | | | | | | | | | | | |
|---|--|---|-------------------------------------|---|---|----|---|----|---|----|---|----|---|---|--|---|--|
|  | ACVR2245 -Eindplaat voor nok -Plaque pour faîtière -Endstück für Dachfirst -End piece for ridge | 1 10 | Stuk Pièce Stück Piece | MC157 | <table border="1"> <tr><td>BR</td><td>X</td></tr> <tr><td>AN</td><td>X</td></tr> <tr><td>KL</td><td>X</td></tr> <tr><td>GS</td><td>X</td></tr> <tr><td>Z</td><td></td></tr> <tr><td>W</td><td></td></tr> </table> | BR | X | AN | X | KL | X | GS | X | Z | | W | |
| BR | X | | | | | | | | | | | | | | | | |
| AN | X | | | | | | | | | | | | | | | | |
| KL | X | | | | | | | | | | | | | | | | |
| GS | X | | | | | | | | | | | | | | | | |
| Z | | | | | | | | | | | | | | | | | |
| W | | | | | | | | | | | | | | | | | |
|  VOORBEELD, EXEMPLE, BEISPIEL, EXAMPLE | ALU ACVR2306 Y -Gelast stuk voor VR2011 -Pièce soudé pour VR2011 -Geschweisst stück für VR2011 -Welded piece for VR2011 op bestelling, sur commande auf Bestellung, on demand | 1 | Stuk Pièce Stück Piece | VR2011 | <table border="1"> <tr><td>BR</td><td></td></tr> <tr><td>AN</td><td></td></tr> <tr><td>KL</td><td></td></tr> <tr><td>GS</td><td></td></tr> <tr><td>Z</td><td></td></tr> <tr><td>W</td><td></td></tr> </table> | BR | | AN | | KL | | GS | | Z | | W | |
| BR | | | | | | | | | | | | | | | | | |
| AN | | | | | | | | | | | | | | | | | |
| KL | | | | | | | | | | | | | | | | | |
| GS | | | | | | | | | | | | | | | | | |
| Z | | | | | | | | | | | | | | | | | |
| W | | | | | | | | | | | | | | | | | |
|  VOORBEELD, EXEMPLE, BEISPIEL, EXAMPLE | ALU ACVR2308 Y -Koppelstuk voor VR011V -Pièce de jonction pour VR011V -Verbindungsstück für VR011V -Connecting piece for VR011V op bestelling, sur commande auf Bestellung, on demand | 1 | Stuk Pièce Stück Piece | VR011V | <table border="1"> <tr><td>BR</td><td></td></tr> <tr><td>AN</td><td></td></tr> <tr><td>KL</td><td></td></tr> <tr><td>GS</td><td></td></tr> <tr><td>Z</td><td></td></tr> <tr><td>W</td><td></td></tr> </table> | BR | | AN | | KL | | GS | | Z | | W | |
| BR | | | | | | | | | | | | | | | | | |
| AN | | | | | | | | | | | | | | | | | |
| KL | | | | | | | | | | | | | | | | | |
| GS | | | | | | | | | | | | | | | | | |
| Z | | | | | | | | | | | | | | | | | |
| W | | | | | | | | | | | | | | | | | |
|  | ACVR2426 -Eindplaat -Plaque -Endstück -End piece | 1 10 | Stuk Pièce Stück Piece | VR2426 | <table border="1"> <tr><td>BR</td><td>X</td></tr> <tr><td>AN</td><td>X</td></tr> <tr><td>KL</td><td>X</td></tr> <tr><td>GS</td><td>X</td></tr> <tr><td>Z</td><td></td></tr> <tr><td>W</td><td></td></tr> </table> | BR | X | AN | X | KL | X | GS | X | Z | | W | |
| BR | X | | | | | | | | | | | | | | | | |
| AN | X | | | | | | | | | | | | | | | | |
| KL | X | | | | | | | | | | | | | | | | |
| GS | X | | | | | | | | | | | | | | | | |
| Z | | | | | | | | | | | | | | | | | |
| W | | | | | | | | | | | | | | | | | |
|  | ACVR2427 -Eindplaat -Plaque -Endstück -End piece | 1 10 | Stuk Pièce Stück Piece | VR2427 | <table border="1"> <tr><td>BR</td><td>X</td></tr> <tr><td>AN</td><td>X</td></tr> <tr><td>KL</td><td>X</td></tr> <tr><td>GS</td><td>X</td></tr> <tr><td>Z</td><td></td></tr> <tr><td>W</td><td></td></tr> </table> | BR | X | AN | X | KL | X | GS | X | Z | | W | |
| BR | X | | | | | | | | | | | | | | | | |
| AN | X | | | | | | | | | | | | | | | | |
| KL | X | | | | | | | | | | | | | | | | |
| GS | X | | | | | | | | | | | | | | | | |
| Z | | | | | | | | | | | | | | | | | |
| W | | | | | | | | | | | | | | | | | |

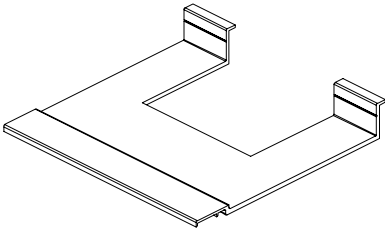
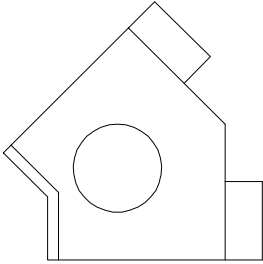
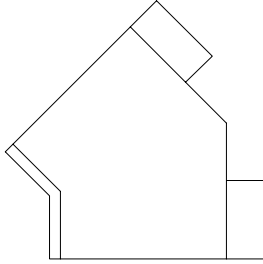
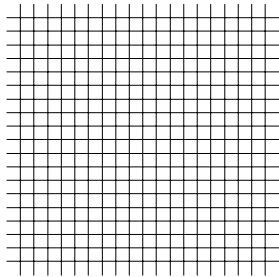
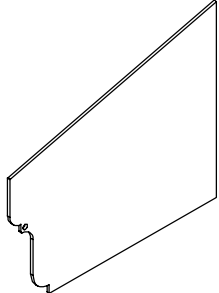
BR = BRUT - BRUT - ROH - BRUT
 AN (X) = ANODISATIE - ANODISE - ELOXIERT - ANODISED
 AN (■) = GELAKT - LAQUE - LACKIERT - LACQUERED -- RAL9006M
 KL = STANDAARDKLEUREN - COULEUR STANDARD - BASIS FARBEN - BASIC COLORS
 GS = GEMOFFELD SPECIAAL - LAQUE SPECIAL - SPECIALFARBE - SPECIAL COLOR
 Z = ZWART - NOIR - SCHWARZ - BLACK
 W = WIT - BLANC - WEISS - WHITE

 GEREEDSCHAP - OUTILLAGE
 WERKZEUG - TOOL
 BEVESTIGING - FIXATION
 BEFESTIGUNG - FIXATION





| | | Verp. per Emb. par Pack pr. | Einheid Unité Einheit Unit | Toepassing Application Anwendung Application | Kleur Couleur Farbe Color | | | | | | | | | | | | |
|---|--|-----------------------------------|-------------------------------------|---|---|----|---|----|---|----|---|----|---|---|--|---|--|
|  | ACVR2574 -Bevestiging VR2574/VR2575 -Montage VR2574/VR2575 -Montage VR2574/VR2575 -Assembly VR2574/VR2575 | 1 | Stuk Pièce Stück Piece | VR2574 VR2575 | <table border="1"> <tr><td>BR</td><td></td></tr> <tr><td>AN</td><td></td></tr> <tr><td>KL</td><td></td></tr> <tr><td>GS</td><td></td></tr> <tr><td>Z</td><td></td></tr> <tr><td>W</td><td></td></tr> </table> | BR | | AN | | KL | | GS | | Z | | W | |
| BR | | | | | | | | | | | | | | | | | |
| AN | | | | | | | | | | | | | | | | | |
| KL | | | | | | | | | | | | | | | | | |
| GS | | | | | | | | | | | | | | | | | |
| Z | | | | | | | | | | | | | | | | | |
| W | | | | | | | | | | | | | | | | | |
|  | ACVR2720 -Bevestiging VR2721/VR2720 -Montage VR2721/VR2720 -Montage VR2721/VR2720 -Assembly VR2721/VR2720 | 1 | Stuk Pièce Stück Piece | VR2720 VR2721 | <table border="1"> <tr><td>BR</td><td></td></tr> <tr><td>AN</td><td></td></tr> <tr><td>KL</td><td></td></tr> <tr><td>GS</td><td></td></tr> <tr><td>Z</td><td></td></tr> <tr><td>W</td><td></td></tr> </table> | BR | | AN | | KL | | GS | | Z | | W | |
| BR | | | | | | | | | | | | | | | | | |
| AN | | | | | | | | | | | | | | | | | |
| KL | | | | | | | | | | | | | | | | | |
| GS | | | | | | | | | | | | | | | | | |
| Z | | | | | | | | | | | | | | | | | |
| W | | | | | | | | | | | | | | | | | |
|  | ACVR2721 -Verbindingsstuk goot -Pièce de jonction gouttière -Verbindung Dachrinne -Joint gutter | 1 | Stuk Pièce Stück Piece | VR2710 VR2721 VR2722 | <table border="1"> <tr><td>BR</td><td></td></tr> <tr><td>AN</td><td></td></tr> <tr><td>KL</td><td></td></tr> <tr><td>GS</td><td></td></tr> <tr><td>Z</td><td></td></tr> <tr><td>W</td><td></td></tr> </table> | BR | | AN | | KL | | GS | | Z | | W | |
| BR | | | | | | | | | | | | | | | | | |
| AN | | | | | | | | | | | | | | | | | |
| KL | | | | | | | | | | | | | | | | | |
| GS | | | | | | | | | | | | | | | | | |
| Z | | | | | | | | | | | | | | | | | |
| W | | | | | | | | | | | | | | | | | |
|  | ACVR2722 -Eindplaat -Plaque -Endstück -End piece | 1 | Stuk Pièce Stück Piece | VR2721 VR2722 VR2723 | <table border="1"> <tr><td>BR</td><td>X</td></tr> <tr><td>AN</td><td>X</td></tr> <tr><td>KL</td><td>X</td></tr> <tr><td>GS</td><td>X</td></tr> <tr><td>Z</td><td></td></tr> <tr><td>W</td><td></td></tr> </table> | BR | X | AN | X | KL | X | GS | X | Z | | W | |
| BR | X | | | | | | | | | | | | | | | | |
| AN | X | | | | | | | | | | | | | | | | |
| KL | X | | | | | | | | | | | | | | | | |
| GS | X | | | | | | | | | | | | | | | | |
| Z | | | | | | | | | | | | | | | | | |
| W | | | | | | | | | | | | | | | | | |
|  | ACVR2723 Y -Variabel koppelstuk -Pièce raccord variable -Variabel Verbindingsstück -Variable coupling piece | 1 | Stuk Pièce Stück Piece | VR2721 | <table border="1"> <tr><td>BR</td><td></td></tr> <tr><td>AN</td><td></td></tr> <tr><td>KL</td><td></td></tr> <tr><td>GS</td><td></td></tr> <tr><td>Z</td><td></td></tr> <tr><td>W</td><td></td></tr> </table> | BR | | AN | | KL | | GS | | Z | | W | |
| BR | | | | | | | | | | | | | | | | | |
| AN | | | | | | | | | | | | | | | | | |
| KL | | | | | | | | | | | | | | | | | |
| GS | | | | | | | | | | | | | | | | | |
| Z | | | | | | | | | | | | | | | | | |
| W | | | | | | | | | | | | | | | | | |

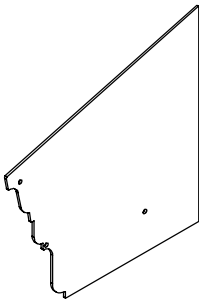
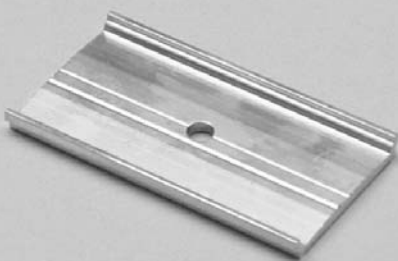

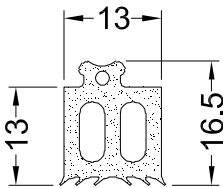
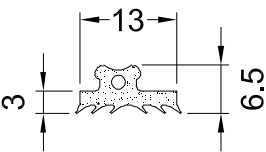


| | | Verp. per Emb. par Pack pr. Pack pr. | Eenheid Unité Einheit Unit | Toepassing Application Anwendung Application | Kleur Couleur Farbe Color | | | | | | | | | | | | |
|---|---|---|-------------------------------------|---|---|----|---|----|---|----|---|----|---|---|--|---|--|
|  | ACVR2724 -Bevestiging voor paal <-> goot -Fixation poteaux <-> gouttière -Verbindung Pfosten <-> Dachrinne -Fixation post <-> gutter | 1 | Stuk Pièce Stück Pièce | VR571 VR572 | <table border="1"> <tr><td>BR</td><td>X</td></tr> <tr><td>AN</td><td>X</td></tr> <tr><td>KL</td><td>X</td></tr> <tr><td>GS</td><td>X</td></tr> <tr><td>Z</td><td></td></tr> <tr><td>W</td><td></td></tr> </table> | BR | X | AN | X | KL | X | GS | X | Z | | W | |
| BR | X | | | | | | | | | | | | | | | | |
| AN | X | | | | | | | | | | | | | | | | |
| KL | X | | | | | | | | | | | | | | | | |
| GS | X | | | | | | | | | | | | | | | | |
| Z | | | | | | | | | | | | | | | | | |
| W | | | | | | | | | | | | | | | | | |
|  | ACVR2725 -Dilatatiestuk -Pièce de dilatation -Dilatation -Connection piece | 1 | Stuk Pièce Stück Pièce | VR2774 | <table border="1"> <tr><td>BR</td><td>X</td></tr> <tr><td>AN</td><td>X</td></tr> <tr><td>KL</td><td>X</td></tr> <tr><td>GS</td><td>X</td></tr> <tr><td>Z</td><td></td></tr> <tr><td>W</td><td></td></tr> </table> | BR | X | AN | X | KL | X | GS | X | Z | | W | |
| BR | X | | | | | | | | | | | | | | | | |
| AN | X | | | | | | | | | | | | | | | | |
| KL | X | | | | | | | | | | | | | | | | |
| GS | X | | | | | | | | | | | | | | | | |
| Z | | | | | | | | | | | | | | | | | |
| W | | | | | | | | | | | | | | | | | |
|  | ACVR2726 -Dilatatiestuk -Pièce de dilatation -Dilatation -Connection piece | 1 | Stuk Pièce Stück Pièce | VR2774 | <table border="1"> <tr><td>BR</td><td>X</td></tr> <tr><td>AN</td><td>X</td></tr> <tr><td>KL</td><td>X</td></tr> <tr><td>GS</td><td>X</td></tr> <tr><td>Z</td><td></td></tr> <tr><td>W</td><td></td></tr> </table> | BR | X | AN | X | KL | X | GS | X | Z | | W | |
| BR | X | | | | | | | | | | | | | | | | |
| AN | X | | | | | | | | | | | | | | | | |
| KL | X | | | | | | | | | | | | | | | | |
| GS | X | | | | | | | | | | | | | | | | |
| Z | | | | | | | | | | | | | | | | | |
| W | | | | | | | | | | | | | | | | | |
|  | ACVR6122 -Bladbescherming goot -Protection gouttière -Rinne schutz -Gutter leaf protection 6m X 140mm | 1 | Stuk Pièce Stück Pièce | VR2021 | <table border="1"> <tr><td>BR</td><td></td></tr> <tr><td>AN</td><td></td></tr> <tr><td>KL</td><td></td></tr> <tr><td>GS</td><td></td></tr> <tr><td>Z</td><td></td></tr> <tr><td>W</td><td></td></tr> </table> | BR | | AN | | KL | | GS | | Z | | W | |
| BR | | | | | | | | | | | | | | | | | |
| AN | | | | | | | | | | | | | | | | | |
| KL | | | | | | | | | | | | | | | | | |
| GS | | | | | | | | | | | | | | | | | |
| Z | | | | | | | | | | | | | | | | | |
| W | | | | | | | | | | | | | | | | | |
|  | ACVR9521 -Eindplaat -Plaque -Endstück -End piece | 1 | Stuk Pièce Stück Pièce | VR2021 + VR9521 | <table border="1"> <tr><td>BR</td><td>X</td></tr> <tr><td>AN</td><td>X</td></tr> <tr><td>KL</td><td>X</td></tr> <tr><td>GS</td><td>X</td></tr> <tr><td>Z</td><td></td></tr> <tr><td>W</td><td></td></tr> </table> | BR | X | AN | X | KL | X | GS | X | Z | | W | |
| BR | X | | | | | | | | | | | | | | | | |
| AN | X | | | | | | | | | | | | | | | | |
| KL | X | | | | | | | | | | | | | | | | |
| GS | X | | | | | | | | | | | | | | | | |
| Z | | | | | | | | | | | | | | | | | |
| W | | | | | | | | | | | | | | | | | |

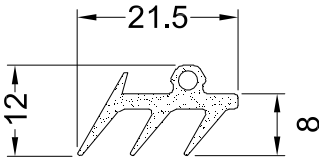

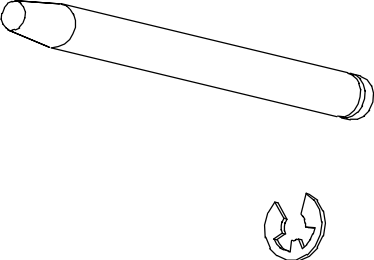

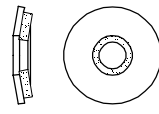
BR = BRUT - BRUT - ROH - BRUT
 AN (X) = ANODISATIE - ANODISE - ELOXIERT - ANODISED
 AN (■) = GELAKT - LAQUE - LACKIERT - LACQUERED -- RAL9006M
 KL = STANDAARDKLEUREN - COULEUR STANDARD - BASIS FARBEN - BASIC COLORS
 GS = GEMOFFELD SPECIAAL - LAQUE SPECIAL - SPECIALFARBE - SPECIAL COLOR
 Z = ZWART - NOIR - SCHWARZ - BLACK
 W = WIT - BLANC - WEISS - WHITE

 GEREEDSCHAP - OUTILLAGE
 WERKZEUG - TOOL
 BEVESTIGING - FIXATION
 BEFESTIGUNG - FIXATION





| | Verp. per Emb. par Pack pr. | Eenheid Unité Einheit Unit | Toepassing Application Anwendung Application | Kleur Couleur Farbe Color | | | | | | | | | | | | |
|--|-----------------------------------|-------------------------------------|---|---|----|---|----|---|----|---|----|---|---|--|---|--|
|  <p>ACVR9522 -Eindplaat -Plaque -Endstück -End piece</p> | 1 | Stuk Pièce Stück Piece | VR2021 + VR9521 + VT123 | <table border="1"> <tr><td>BR</td><td>X</td></tr> <tr><td>AN</td><td>X</td></tr> <tr><td>KL</td><td>X</td></tr> <tr><td>GS</td><td>X</td></tr> <tr><td>Z</td><td></td></tr> <tr><td>W</td><td></td></tr> </table> | BR | X | AN | X | KL | X | GS | X | Z | | W | |
| BR | X | | | | | | | | | | | | | | | |
| AN | X | | | | | | | | | | | | | | | |
| KL | X | | | | | | | | | | | | | | | |
| GS | X | | | | | | | | | | | | | | | |
| Z | | | | | | | | | | | | | | | | |
| W | | | | | | | | | | | | | | | | |
|  <p>ACDK066 -Aandrukplaatje dakprofielen -Plaque de serrage profils toiture -Andruckplatte Dachprofile -Packer alu for roof profiles</p> | 1 | Stuk Pièce Stück Piece | DK154 | <table border="1"> <tr><td>BR</td><td></td></tr> <tr><td>AN</td><td></td></tr> <tr><td>KL</td><td></td></tr> <tr><td>GS</td><td></td></tr> <tr><td>Z</td><td></td></tr> <tr><td>W</td><td></td></tr> </table> | BR | | AN | | KL | | GS | | Z | | W | |
| BR | | | | | | | | | | | | | | | | |
| AN | | | | | | | | | | | | | | | | |
| KL | | | | | | | | | | | | | | | | |
| GS | | | | | | | | | | | | | | | | |
| Z | | | | | | | | | | | | | | | | |
| W | | | | | | | | | | | | | | | | |
|  <p>ACDR052 -Inox schroef -Vis en inox -Inox Schraube -Stainless steel screw</p> | 200 | Stuks Pièces Stücke Pieces | ACDK066 DK154 MC054 MC150 MC154 DK155 | <table border="1"> <tr><td>BR</td><td></td></tr> <tr><td>AN</td><td></td></tr> <tr><td>KL</td><td></td></tr> <tr><td>GS</td><td></td></tr> <tr><td>Z</td><td></td></tr> <tr><td>W</td><td></td></tr> </table> | BR | | AN | | KL | | GS | | Z | | W | |
| BR | | | | | | | | | | | | | | | | |
| AN | | | | | | | | | | | | | | | | |
| KL | | | | | | | | | | | | | | | | |
| GS | | | | | | | | | | | | | | | | |
| Z | | | | | | | | | | | | | | | | |
| W | | | | | | | | | | | | | | | | |
|  <p>ACMC015 -Beglazingsrubber -Joint de vitrage -Dichtung -Sealing</p> | 100 | m | VR565 VR566 | <table border="1"> <tr><td>BR</td><td></td></tr> <tr><td>AN</td><td></td></tr> <tr><td>KL</td><td></td></tr> <tr><td>GS</td><td></td></tr> <tr><td>Z</td><td></td></tr> <tr><td>W</td><td></td></tr> </table> | BR | | AN | | KL | | GS | | Z | | W | |
| BR | | | | | | | | | | | | | | | | |
| AN | | | | | | | | | | | | | | | | |
| KL | | | | | | | | | | | | | | | | |
| GS | | | | | | | | | | | | | | | | |
| Z | | | | | | | | | | | | | | | | |
| W | | | | | | | | | | | | | | | | |
|  <p>ACMC016 -Beglazingsrubber -Joint de vitrage -Dichtung -Sealing</p> | 150 | m | VR514 VR565 VR566 | <table border="1"> <tr><td>BR</td><td></td></tr> <tr><td>AN</td><td></td></tr> <tr><td>KL</td><td></td></tr> <tr><td>GS</td><td></td></tr> <tr><td>Z</td><td></td></tr> <tr><td>W</td><td></td></tr> </table> | BR | | AN | | KL | | GS | | Z | | W | |
| BR | | | | | | | | | | | | | | | | |
| AN | | | | | | | | | | | | | | | | |
| KL | | | | | | | | | | | | | | | | |
| GS | | | | | | | | | | | | | | | | |
| Z | | | | | | | | | | | | | | | | |
| W | | | | | | | | | | | | | | | | |

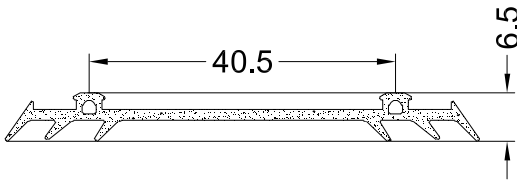
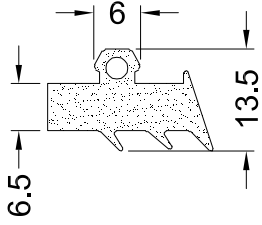
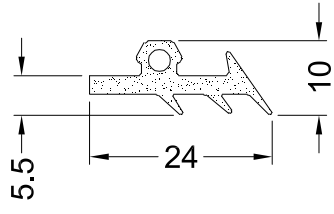
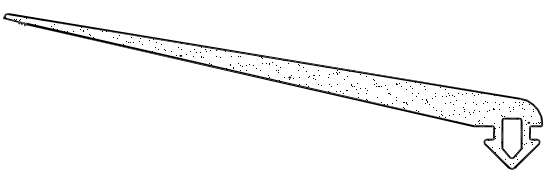
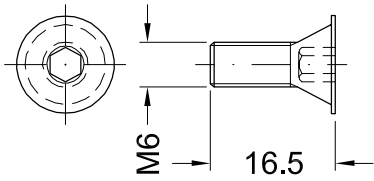


| | | Verp. per Emb. par Pack pr. Pack pr. | Eenheid Unité Einheit Unit | Toepassing Application Anwendung Application | Kleur Couleur Farbe Color | | | | | | | | | | | | |
|---|--|---|-------------------------------------|---|---|----|--|----|--|----|--|----|--|---|--|---|--|
|  | <p>ACMC019</p> <p>-Beglazingsrubber klemlat MC152 -Joint MC152 -Dichtung für Drückleiste MC152 -Sealing for MC152</p> | 50 | m | MC152 DK155 | <table border="1"> <tr><td>BR</td><td></td></tr> <tr><td>AN</td><td></td></tr> <tr><td>KL</td><td></td></tr> <tr><td>GS</td><td></td></tr> <tr><td>Z</td><td></td></tr> <tr><td>W</td><td></td></tr> </table> | BR | | AN | | KL | | GS | | Z | | W | |
| BR | | | | | | | | | | | | | | | | | |
| AN | | | | | | | | | | | | | | | | | |
| KL | | | | | | | | | | | | | | | | | |
| GS | | | | | | | | | | | | | | | | | |
| Z | | | | | | | | | | | | | | | | | |
| W | | | | | | | | | | | | | | | | | |
|  | <p>ACMC025</p> <p>-Pen voor regel -Tige pour traverse -Stift für Riegel -Pin for transom</p> | 1 | Stuks Pièces Stücke Pieces | VR2030 VR514 | <table border="1"> <tr><td>BR</td><td></td></tr> <tr><td>AN</td><td></td></tr> <tr><td>KL</td><td></td></tr> <tr><td>GS</td><td></td></tr> <tr><td>Z</td><td></td></tr> <tr><td>W</td><td></td></tr> </table> | BR | | AN | | KL | | GS | | Z | | W | |
| BR | | | | | | | | | | | | | | | | | |
| AN | | | | | | | | | | | | | | | | | |
| KL | | | | | | | | | | | | | | | | | |
| GS | | | | | | | | | | | | | | | | | |
| Z | | | | | | | | | | | | | | | | | |
| W | | | | | | | | | | | | | | | | | |
|  | <p>ACMC026</p> <p>-Pen voor eindregel -Tige pour dernière traverse -Stift für Endriegel -Pin for ending transom</p> | 1 | Stuks Pièces Stücke Pieces | VR2030 VR514 | <table border="1"> <tr><td>BR</td><td></td></tr> <tr><td>AN</td><td></td></tr> <tr><td>KL</td><td></td></tr> <tr><td>GS</td><td></td></tr> <tr><td>Z</td><td></td></tr> <tr><td>W</td><td></td></tr> </table> | BR | | AN | | KL | | GS | | Z | | W | |
| BR | | | | | | | | | | | | | | | | | |
| AN | | | | | | | | | | | | | | | | | |
| KL | | | | | | | | | | | | | | | | | |
| GS | | | | | | | | | | | | | | | | | |
| Z | | | | | | | | | | | | | | | | | |
| W | | | | | | | | | | | | | | | | | |
|  | <p>ACMC110</p> <p>-Schroef DIN7981 6.3x45 -Vis DIN7981 6.3x45 -Schraube DIN7981 6.3x45 -Screw DIN7981 6.3x45</p> | 100 | Stuks Pièces Stücke Pieces | MC055 VR2030 | <table border="1"> <tr><td>BR</td><td></td></tr> <tr><td>AN</td><td></td></tr> <tr><td>KL</td><td></td></tr> <tr><td>GS</td><td></td></tr> <tr><td>Z</td><td></td></tr> <tr><td>W</td><td></td></tr> </table> | BR | | AN | | KL | | GS | | Z | | W | |
| BR | | | | | | | | | | | | | | | | | |
| AN | | | | | | | | | | | | | | | | | |
| KL | | | | | | | | | | | | | | | | | |
| GS | | | | | | | | | | | | | | | | | |
| Z | | | | | | | | | | | | | | | | | |
| W | | | | | | | | | | | | | | | | | |
|  | <p>ACMC111</p> <p>-Afdichtingsring -Rondelle d'étanchéité -Dichtscheibe -Sealing ring</p> | 100 | Stuks Pièces Stücke Pieces | MC055 | <table border="1"> <tr><td>BR</td><td></td></tr> <tr><td>AN</td><td></td></tr> <tr><td>KL</td><td></td></tr> <tr><td>GS</td><td></td></tr> <tr><td>Z</td><td></td></tr> <tr><td>W</td><td></td></tr> </table> | BR | | AN | | KL | | GS | | Z | | W | |
| BR | | | | | | | | | | | | | | | | | |
| AN | | | | | | | | | | | | | | | | | |
| KL | | | | | | | | | | | | | | | | | |
| GS | | | | | | | | | | | | | | | | | |
| Z | | | | | | | | | | | | | | | | | |
| W | | | | | | | | | | | | | | | | | |

BR = BRUT - BRUT - ROH - BRUT
 AN (X) = ANODISATIE - ANODISE - ELOXIERT - ANODISED
 AN (■) = GELAKT - LAQUE - LACKIERT - LACQUERED -- RAL9006M
 KL = STANDAARDKLEUREN - COULEUR STANDARD - BASIS FARBEN - BASIC COLORS
 GS = GEMOFFELD SPECIAAL - LAQUE SPECIAL - SPECIALFARBE - SPECIAL COLOR
 Z = ZWART - NOIR - SCHWARZ - BLACK
 W = WIT - BLANC - WEISS - WHITE

 GEREEDSCHAP - OUTILLAGE
 WERKZEUG - TOOL
 BEVESTIGING - FIXATION
 BEFESTIGUNG - FIXATION





| | Verp. per Emb. par Pack pr. | Einheid Unité Einheit Unit | Toepassing Application Anwendung Application | Kleur Couleur Farbe Color | | | | | | | | | | | | |
|---|-----------------------------------|-------------------------------------|---|---|----|----|----|----|----|----|----|---|---|---|---|---|
|  <p>ACMC117 -Beglazingsrubber -Joint de vitrage -Dichtung -Sealing</p> | 50 | m | MC055 | <table border="1"> <tr><td>BR</td><td></td></tr> <tr><td>AN</td><td></td></tr> <tr><td>KL</td><td></td></tr> <tr><td>GS</td><td></td></tr> <tr><td>Z</td><td></td></tr> <tr><td>W</td><td></td></tr> </table> | BR | | AN | | KL | | GS | | Z | | W | |
| BR | | | | | | | | | | | | | | | | |
| AN | | | | | | | | | | | | | | | | |
| KL | | | | | | | | | | | | | | | | |
| GS | | | | | | | | | | | | | | | | |
| Z | | | | | | | | | | | | | | | | |
| W | | | | | | | | | | | | | | | | |
|  <p>ACMC118 -Beglazingsrubber -Joint de vitrage -Dichtung -Sealing</p> | 50 | m | MC054 MC150 MC154 | <table border="1"> <tr><td>BR</td><td></td></tr> <tr><td>AN</td><td></td></tr> <tr><td>KL</td><td></td></tr> <tr><td>GS</td><td></td></tr> <tr><td>Z</td><td></td></tr> <tr><td>W</td><td></td></tr> </table> | BR | | AN | | KL | | GS | | Z | | W | |
| BR | | | | | | | | | | | | | | | | |
| AN | | | | | | | | | | | | | | | | |
| KL | | | | | | | | | | | | | | | | |
| GS | | | | | | | | | | | | | | | | |
| Z | | | | | | | | | | | | | | | | |
| W | | | | | | | | | | | | | | | | |
|  <p>ACMC150 -Beglazingsrubber -Joint de vitrage -Dichtung -Sealing</p> | 100 | m | MC054 MC150 MC154 | <table border="1"> <tr><td>BR</td><td></td></tr> <tr><td>AN</td><td></td></tr> <tr><td>KL</td><td></td></tr> <tr><td>GS</td><td></td></tr> <tr><td>Z</td><td></td></tr> <tr><td>W</td><td></td></tr> </table> | BR | | AN | | KL | | GS | | Z | | W | |
| BR | | | | | | | | | | | | | | | | |
| AN | | | | | | | | | | | | | | | | |
| KL | | | | | | | | | | | | | | | | |
| GS | | | | | | | | | | | | | | | | |
| Z | | | | | | | | | | | | | | | | |
| W | | | | | | | | | | | | | | | | |
|  <p>ACMS02 -Dichting muur -Joint mural -Abdichtung Mauer -Seal strip wall</p> | 40 | m | VR125 VR426 VR427 VR2426 VR2427 | <table border="1"> <tr><td>BR</td><td></td></tr> <tr><td>AN</td><td></td></tr> <tr><td>KL</td><td></td></tr> <tr><td>GS</td><td></td></tr> <tr><td>Z</td><td>X</td></tr> <tr><td>W</td><td>X</td></tr> </table> | BR | | AN | | KL | | GS | | Z | X | W | X |
| BR | | | | | | | | | | | | | | | | |
| AN | | | | | | | | | | | | | | | | |
| KL | | | | | | | | | | | | | | | | |
| GS | | | | | | | | | | | | | | | | |
| Z | X | | | | | | | | | | | | | | | |
| W | X | | | | | | | | | | | | | | | |
|  <p>ACMX852 -Schroef voor T-verbinders -Vis pour assemblage T -Schraube für T-Verbinder -Screw for connecting bracket</p> | 48 | Stuk Pièce Stück Piece | <table border="1"> <tr><td>BR</td><td></td></tr> <tr><td>AN</td><td></td></tr> <tr><td>KL</td><td></td></tr> <tr><td>GS</td><td></td></tr> <tr><td>Z</td><td></td></tr> <tr><td>W</td><td></td></tr> </table> | BR | | AN | | KL | | GS | | Z | | W | | |
| BR | | | | | | | | | | | | | | | | |
| AN | | | | | | | | | | | | | | | | |
| KL | | | | | | | | | | | | | | | | |
| GS | | | | | | | | | | | | | | | | |
| Z | | | | | | | | | | | | | | | | |
| W | | | | | | | | | | | | | | | | |



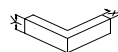
| | | Verp. per Emb. par Pack pr. Pack pr. | Eenheid Unité Einheit Unit | Toepassing Application Anwendung Application | Kleur Couleur Farbe Color | | | | | | | | | | | | |
|---|---|---|-------------------------------------|---|---|----|--|----|--|----|--|----|--|---|--|---|--|
|  | ACMX09700 -Alu-polish -Alu-polish -Alu-polish -Alu-polish 750ml | 1 | Stuk Pièce Stück Pièce | | <table border="1"> <tr><td>BR</td><td></td></tr> <tr><td>AN</td><td></td></tr> <tr><td>KL</td><td></td></tr> <tr><td>GS</td><td></td></tr> <tr><td>Z</td><td></td></tr> <tr><td>W</td><td></td></tr> </table> | BR | | AN | | KL | | GS | | Z | | W | |
| BR | | | | | | | | | | | | | | | | | |
| AN | | | | | | | | | | | | | | | | | |
| KL | | | | | | | | | | | | | | | | | |
| GS | | | | | | | | | | | | | | | | | |
| Z | | | | | | | | | | | | | | | | | |
| W | | | | | | | | | | | | | | | | | |
|  | ACMX09761 -Maxi-gloss -Maxi-gloss -Maxi-gloss -Maxi-gloss 500ml | 1 | Stuk Pièce Stück Pièce | | <table border="1"> <tr><td>BR</td><td></td></tr> <tr><td>AN</td><td></td></tr> <tr><td>KL</td><td></td></tr> <tr><td>GS</td><td></td></tr> <tr><td>Z</td><td></td></tr> <tr><td>W</td><td></td></tr> </table> | BR | | AN | | KL | | GS | | Z | | W | |
| BR | | | | | | | | | | | | | | | | | |
| AN | | | | | | | | | | | | | | | | | |
| KL | | | | | | | | | | | | | | | | | |
| GS | | | | | | | | | | | | | | | | | |
| Z | | | | | | | | | | | | | | | | | |
| W | | | | | | | | | | | | | | | | | |
|  | ACMX09762 -Periodi-clean -Periodi-clean -Periodi-clean -Periodi-clean 500ml | 1 | Stuk Pièce Stück Pièce | | <table border="1"> <tr><td>BR</td><td></td></tr> <tr><td>AN</td><td></td></tr> <tr><td>KL</td><td></td></tr> <tr><td>GS</td><td></td></tr> <tr><td>Z</td><td></td></tr> <tr><td>W</td><td></td></tr> </table> | BR | | AN | | KL | | GS | | Z | | W | |
| BR | | | | | | | | | | | | | | | | | |
| AN | | | | | | | | | | | | | | | | | |
| KL | | | | | | | | | | | | | | | | | |
| GS | | | | | | | | | | | | | | | | | |
| Z | | | | | | | | | | | | | | | | | |
| W | | | | | | | | | | | | | | | | | |
|  | ACMX09763 -Teflon spray -Teflon spray -Teflon spray -Teflon spray 400ml | 1 | Stuk Pièce Stück Pièce | | <table border="1"> <tr><td>BR</td><td></td></tr> <tr><td>AN</td><td></td></tr> <tr><td>KL</td><td></td></tr> <tr><td>GS</td><td></td></tr> <tr><td>Z</td><td></td></tr> <tr><td>W</td><td></td></tr> </table> | BR | | AN | | KL | | GS | | Z | | W | |
| BR | | | | | | | | | | | | | | | | | |
| AN | | | | | | | | | | | | | | | | | |
| KL | | | | | | | | | | | | | | | | | |
| GS | | | | | | | | | | | | | | | | | |
| Z | | | | | | | | | | | | | | | | | |
| W | | | | | | | | | | | | | | | | | |
|  | ACMX09764 -Maxi-cleaner -Maxi-cleaner -Maxi-cleaner -Maxi-cleaner 500ml | 1 | Stuk Pièce Stück Pièce | | <table border="1"> <tr><td>BR</td><td></td></tr> <tr><td>AN</td><td></td></tr> <tr><td>KL</td><td></td></tr> <tr><td>GS</td><td></td></tr> <tr><td>Z</td><td></td></tr> <tr><td>W</td><td></td></tr> </table> | BR | | AN | | KL | | GS | | Z | | W | |
| BR | | | | | | | | | | | | | | | | | |
| AN | | | | | | | | | | | | | | | | | |
| KL | | | | | | | | | | | | | | | | | |
| GS | | | | | | | | | | | | | | | | | |
| Z | | | | | | | | | | | | | | | | | |
| W | | | | | | | | | | | | | | | | | |




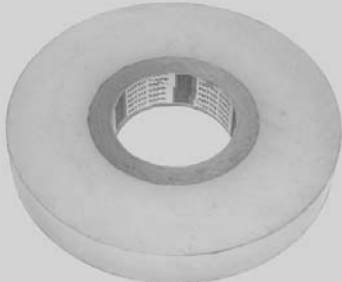

BR = BRUT - BRUT - ROH - BRUT
 AN (X) = ANODISATIE - ANODISE - ELOXIERT - ANODISED
 AN (■) = GELAKT - LAQUE - LACKIERT - LACQUERED -- RAL9006M
 KL = STANDAARDKLEUREN - COULEUR STANDARD - BASIS FARBEN - BASIC COLORS
 GS = GEMOFFELD SPECIAAL - LAQUE SPECIAL - SPECIALFARBE - SPECIAL COLOR
 Z = ZWART - NOIR - SCHWARZ - BLACK
 W = WIT - BLANC - WEISS - WHITE

 GEREEDSCHAP - OUTILLAGE
 WERKZEUG - TOOL
 BEVESTIGING - FIXATION
 BEFESTIGUNG - FIXATION





| | Verp. per Emb. par Pack pr. | Einheid Unité Einheit Unit | Toepassing Application Anwendung Application | Kleur Couleur Farbe Color | | | | | | | | | | | | |
|---|-----------------------------------|-------------------------------------|---|---|----|--|----|--|----|--|----|--|---|--|---|--|
|  <p>ACMX09765 -Glue-cleaner -Glue-cleaner -Glue-cleaner -Glue-cleaner 500ml</p> | 1 | Stuk Pièce Stück Pièce | | <table border="1"> <tr><td>BR</td><td></td></tr> <tr><td>AN</td><td></td></tr> <tr><td>KL</td><td></td></tr> <tr><td>GS</td><td></td></tr> <tr><td>Z</td><td></td></tr> <tr><td>W</td><td></td></tr> </table> | BR | | AN | | KL | | GS | | Z | | W | |
| BR | | | | | | | | | | | | | | | | |
| AN | | | | | | | | | | | | | | | | |
| KL | | | | | | | | | | | | | | | | |
| GS | | | | | | | | | | | | | | | | |
| Z | | | | | | | | | | | | | | | | |
| W | | | | | | | | | | | | | | | | |
|  <p>ACMX09766 -Surface activator -Surface activator -Surface activator -Surface activator 1l</p> | 1 | Stuk Pièce Stück Pièce | | <table border="1"> <tr><td>BR</td><td></td></tr> <tr><td>AN</td><td></td></tr> <tr><td>KL</td><td></td></tr> <tr><td>GS</td><td></td></tr> <tr><td>Z</td><td></td></tr> <tr><td>W</td><td></td></tr> </table> | BR | | AN | | KL | | GS | | Z | | W | |
| BR | | | | | | | | | | | | | | | | |
| AN | | | | | | | | | | | | | | | | |
| KL | | | | | | | | | | | | | | | | |
| GS | | | | | | | | | | | | | | | | |
| Z | | | | | | | | | | | | | | | | |
| W | | | | | | | | | | | | | | | | |
|  <p>ACMX09767 -Anti-stone opgepast voor natuursteen en metselwerk attention pour pierre de taille et maçonnerie achtung für Naturstein und Mauerwerk attention for natural stone and bricklaying 500ml</p> | 1 | Stuk Pièce Stück Pièce | | <table border="1"> <tr><td>BR</td><td></td></tr> <tr><td>AN</td><td></td></tr> <tr><td>KL</td><td></td></tr> <tr><td>GS</td><td></td></tr> <tr><td>Z</td><td></td></tr> <tr><td>W</td><td></td></tr> </table> | BR | | AN | | KL | | GS | | Z | | W | |
| BR | | | | | | | | | | | | | | | | |
| AN | | | | | | | | | | | | | | | | |
| KL | | | | | | | | | | | | | | | | |
| GS | | | | | | | | | | | | | | | | |
| Z | | | | | | | | | | | | | | | | |
| W | | | | | | | | | | | | | | | | |
|  <p>ACMX09770 -Rol andywrap 100mm -Rouleau andywrap 100mm -Rolle andywrap 100mm -Roll andywrap 100mm</p> | 150 | m | | <table border="1"> <tr><td>BR</td><td></td></tr> <tr><td>AN</td><td></td></tr> <tr><td>KL</td><td></td></tr> <tr><td>GS</td><td></td></tr> <tr><td>Z</td><td></td></tr> <tr><td>W</td><td></td></tr> </table> | BR | | AN | | KL | | GS | | Z | | W | |
| BR | | | | | | | | | | | | | | | | |
| AN | | | | | | | | | | | | | | | | |
| KL | | | | | | | | | | | | | | | | |
| GS | | | | | | | | | | | | | | | | |
| Z | | | | | | | | | | | | | | | | |
| W | | | | | | | | | | | | | | | | |
|  <p>ACMX09775 -Houder andywrap -Manche andywrap -Halter andywrap -Grip andywrap</p> | 1 | Stuk Pièce Stück Pièce | | <table border="1"> <tr><td>BR</td><td></td></tr> <tr><td>AN</td><td></td></tr> <tr><td>KL</td><td></td></tr> <tr><td>GS</td><td></td></tr> <tr><td>Z</td><td></td></tr> <tr><td>W</td><td></td></tr> </table> | BR | | AN | | KL | | GS | | Z | | W | |
| BR | | | | | | | | | | | | | | | | |
| AN | | | | | | | | | | | | | | | | |
| KL | | | | | | | | | | | | | | | | |
| GS | | | | | | | | | | | | | | | | |
| Z | | | | | | | | | | | | | | | | |
| W | | | | | | | | | | | | | | | | |



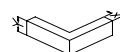
| | | Verp. per Emb. par Pack pr. Pack pr. | Eenheid Unité Einheit Unit | Toepassing Application Anwendung Application | Kleur Couleur Farbe Color | | | | | | | | | | | | |
|---|---|---|-------------------------------------|---|---|----|--|----|--|----|--|----|--|---|--|---|--|
|  | ACMX09801 -Beschermtape 50mm (500m) -Tape de protection 50mm (500m) -Schutz Klebeband 50mm (500m) -Protective tape 50mm (500m) | 1 | Stuk Pièce Stück Pièce | | <table border="1"> <tr><td>BR</td><td></td></tr> <tr><td>AN</td><td></td></tr> <tr><td>KL</td><td></td></tr> <tr><td>GS</td><td></td></tr> <tr><td>Z</td><td></td></tr> <tr><td>W</td><td></td></tr> </table> | BR | | AN | | KL | | GS | | Z | | W | |
| BR | | | | | | | | | | | | | | | | | |
| AN | | | | | | | | | | | | | | | | | |
| KL | | | | | | | | | | | | | | | | | |
| GS | | | | | | | | | | | | | | | | | |
| Z | | | | | | | | | | | | | | | | | |
| W | | | | | | | | | | | | | | | | | |
|  | ACMX09802 -Beschermtape 70mm (500m) -Tape de protection 70mm (500m) -Schutz Klebeband 70mm (500m) -Protective tape 70mm (500m) | 1 | Stuk Pièce Stück Pièce | | <table border="1"> <tr><td>BR</td><td></td></tr> <tr><td>AN</td><td></td></tr> <tr><td>KL</td><td></td></tr> <tr><td>GS</td><td></td></tr> <tr><td>Z</td><td></td></tr> <tr><td>W</td><td></td></tr> </table> | BR | | AN | | KL | | GS | | Z | | W | |
| BR | | | | | | | | | | | | | | | | | |
| AN | | | | | | | | | | | | | | | | | |
| KL | | | | | | | | | | | | | | | | | |
| GS | | | | | | | | | | | | | | | | | |
| Z | | | | | | | | | | | | | | | | | |
| W | | | | | | | | | | | | | | | | | |
|  | ACMX09803 -Beschermtape 100mm (500m) -Tape de protection 100mm (500m) -Schutz Klebeband 100mm (500m) -Protective tape 100mm (500m) | 1 | Stuk Pièce Stück Pièce | | <table border="1"> <tr><td>BR</td><td></td></tr> <tr><td>AN</td><td></td></tr> <tr><td>KL</td><td></td></tr> <tr><td>GS</td><td></td></tr> <tr><td>Z</td><td></td></tr> <tr><td>W</td><td></td></tr> </table> | BR | | AN | | KL | | GS | | Z | | W | |
| BR | | | | | | | | | | | | | | | | | |
| AN | | | | | | | | | | | | | | | | | |
| KL | | | | | | | | | | | | | | | | | |
| GS | | | | | | | | | | | | | | | | | |
| Z | | | | | | | | | | | | | | | | | |
| W | | | | | | | | | | | | | | | | | |
|  | ACMX09804 -Beschermtape 35mm (500m) -Tape de protection 35mm (500m) -Schutz Klebeband 35mm (500m) -Protective tape 35mm (500m) | 1 | Stuk Pièce Stück Pièce | | <table border="1"> <tr><td>BR</td><td></td></tr> <tr><td>AN</td><td></td></tr> <tr><td>KL</td><td></td></tr> <tr><td>GS</td><td></td></tr> <tr><td>Z</td><td></td></tr> <tr><td>W</td><td></td></tr> </table> | BR | | AN | | KL | | GS | | Z | | W | |
| BR | | | | | | | | | | | | | | | | | |
| AN | | | | | | | | | | | | | | | | | |
| KL | | | | | | | | | | | | | | | | | |
| GS | | | | | | | | | | | | | | | | | |
| Z | | | | | | | | | | | | | | | | | |
| W | | | | | | | | | | | | | | | | | |
|  | ACMX09811 -Afdichtingtape B=55mm -Ruban adhésif d'étanchéité B=55mm -Abdichtungsband B=55mm -Sealing tape W=55mm | 20 | m | MC054 MC055 MC150 MC154 VR2426 VR2427 | <table border="1"> <tr><td>BR</td><td></td></tr> <tr><td>AN</td><td></td></tr> <tr><td>KL</td><td></td></tr> <tr><td>GS</td><td></td></tr> <tr><td>Z</td><td></td></tr> <tr><td>W</td><td></td></tr> </table> | BR | | AN | | KL | | GS | | Z | | W | |
| BR | | | | | | | | | | | | | | | | | |
| AN | | | | | | | | | | | | | | | | | |
| KL | | | | | | | | | | | | | | | | | |
| GS | | | | | | | | | | | | | | | | | |
| Z | | | | | | | | | | | | | | | | | |
| W | | | | | | | | | | | | | | | | | |

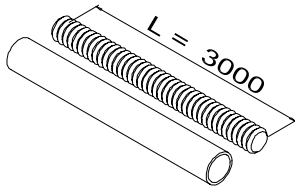




BR = BRUT - BRUT - ROH - BRUT
 AN (X) = ANODISATIE - ANODISE - ELOXIERT - ANODISED
 AN (■) = GELAKT - LAQUE - LACKIERT - LACQUERED -- RAL9006M
 KL = STANDAARDKLEUREN - COULEUR STANDARD - BASIS FARBEN - BASIC COLORS
 GS = GEMOFFELD SPECIAAL - LAQUE SPECIAL - SPECIALFARBE - SPECIAL COLOR
 Z = ZWART - NOIR - SCHWARZ - BLACK
 W = WIT - BLANC - WEISS - WHITE

 GEREEDSCHAP - OUTILLAGE
 WERKZEUG - TOOL
 BEVESTIGING - FIXATION
 BEFESTIGUNG - FIXATION





| | | Verp. per Emb. par Pack pr. | Einheid Unité Einheit Unit | Toepassing Application Anwendung Application | Kleur Couleur Farbe Color | | | | | | | | | | | | |
|---|---|-----------------------------------|-------------------------------------|---|--|----|---|----|--|----|---|----|---|---|---|---|---|
|  | ACSIL04 -Afdichtingslijmkit voor versteknaden -Joint d'étanchéité pour onglets -Leim für Abdichtung -Sealing glue | 1 | Stuk Pièce Stück Piece | | <table border="1"> <tr><td>BR</td><td></td></tr> <tr><td>AN</td><td></td></tr> <tr><td>KL</td><td></td></tr> <tr><td>GS</td><td></td></tr> <tr><td>Z</td><td>X</td></tr> <tr><td>W</td><td>X</td></tr> </table> | BR | | AN | | KL | | GS | | Z | X | W | X |
| BR | | | | | | | | | | | | | | | | | |
| AN | | | | | | | | | | | | | | | | | |
| KL | | | | | | | | | | | | | | | | | |
| GS | | | | | | | | | | | | | | | | | |
| Z | X | | | | | | | | | | | | | | | | |
| W | X | | | | | | | | | | | | | | | | |
|  | ACSIL08 -Siliconenpomp -Pistolet doseur pour les tubes silicones -Handkartuschenpistole für die Verarbeitung von Silikone und Leime -Silicon gun | 1 | Stuk Pièce Stück Piece | | <table border="1"> <tr><td>BR</td><td></td></tr> <tr><td>AN</td><td></td></tr> <tr><td>KL</td><td></td></tr> <tr><td>GS</td><td></td></tr> <tr><td>Z</td><td></td></tr> <tr><td>W</td><td></td></tr> </table> | BR | | AN | | KL | | GS | | Z | | W | |
| BR | | | | | | | | | | | | | | | | | |
| AN | | | | | | | | | | | | | | | | | |
| KL | | | | | | | | | | | | | | | | | |
| GS | | | | | | | | | | | | | | | | | |
| Z | | | | | | | | | | | | | | | | | |
| W | | | | | | | | | | | | | | | | | |
|  | ACSIL014 -Anticorro - beschermingsproduct -Anticorro - produit de protection -Anticorro - Schutzprodukt -Anticorro - protection product 500ml | 1 | Stuk Pièce Stück Piece | | <table border="1"> <tr><td>BR</td><td></td></tr> <tr><td>AN</td><td></td></tr> <tr><td>KL</td><td></td></tr> <tr><td>GS</td><td></td></tr> <tr><td>Z</td><td></td></tr> <tr><td>W</td><td></td></tr> </table> | BR | | AN | | KL | | GS | | Z | | W | |
| BR | | | | | | | | | | | | | | | | | |
| AN | | | | | | | | | | | | | | | | | |
| KL | | | | | | | | | | | | | | | | | |
| GS | | | | | | | | | | | | | | | | | |
| Z | | | | | | | | | | | | | | | | | |
| W | | | | | | | | | | | | | | | | | |
|  | ACVT011 -Rubber -Joint -Abdichtungsgummi -Gasket | 100 | m | VR514 | <table border="1"> <tr><td>BR</td><td></td></tr> <tr><td>AN</td><td></td></tr> <tr><td>KL</td><td></td></tr> <tr><td>GS</td><td></td></tr> <tr><td>Z</td><td></td></tr> <tr><td>W</td><td></td></tr> </table> | BR | | AN | | KL | | GS | | Z | | W | |
| BR | | | | | | | | | | | | | | | | | |
| AN | | | | | | | | | | | | | | | | | |
| KL | | | | | | | | | | | | | | | | | |
| GS | | | | | | | | | | | | | | | | | |
| Z | | | | | | | | | | | | | | | | | |
| W | | | | | | | | | | | | | | | | | |
|  | ACVT070 -Sierlijst L=3000mm -Profile ornamentale L=3000mm -Zierprofil L=3000mm -Ornamental profile L=3000mm | 1 | Stuk Pièce Stück Piece | | <table border="1"> <tr><td>BR</td><td>X</td></tr> <tr><td>AN</td><td></td></tr> <tr><td>KL</td><td>X</td></tr> <tr><td>GS</td><td>X</td></tr> <tr><td>Z</td><td></td></tr> <tr><td>W</td><td></td></tr> </table> | BR | X | AN | | KL | X | GS | X | Z | | W | |
| BR | X | | | | | | | | | | | | | | | | |
| AN | | | | | | | | | | | | | | | | | |
| KL | X | | | | | | | | | | | | | | | | |
| GS | X | | | | | | | | | | | | | | | | |
| Z | | | | | | | | | | | | | | | | | |
| W | | | | | | | | | | | | | | | | | |




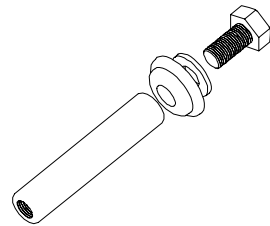



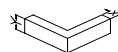
| | | Verp. per Emb. par Pack pr. Pack pr. | Eenheid Unité Einheit Unit | Toepassing Application Anwendung Application | Kleur Couleur Farbe Color | | | | | | | | | | | | |
|---|---|---|-------------------------------------|---|--|----|---|----|--|----|---|----|---|---|---|---|---|
|  | ACVT072 -Draadstang + alu buisje L=3000mm -Tige filetée + tube alu L=3000mm -Gewinde Stange + al Rohr L=3000mm -Tie rod + alu cover L=3000mm | 1 | Stuk Pièce Stück Pièce | | <table border="1"> <tr><td>BR</td><td>X</td></tr> <tr><td>AN</td><td></td></tr> <tr><td>KL</td><td>X</td></tr> <tr><td>GS</td><td>X</td></tr> <tr><td>Z</td><td></td></tr> <tr><td>W</td><td></td></tr> </table> | BR | X | AN | | KL | X | GS | X | Z | | W | |
| BR | X | | | | | | | | | | | | | | | | |
| AN | | | | | | | | | | | | | | | | | |
| KL | X | | | | | | | | | | | | | | | | |
| GS | X | | | | | | | | | | | | | | | | |
| Z | | | | | | | | | | | | | | | | | |
| W | | | | | | | | | | | | | | | | | |
|  | ACVT073 -Verbindingsstuk voor draadstang -Pièce de jonction pour tige filetée -Verbindungsstück für gewinde Stange -Connector for tie rod | 1 | Stuk Pièce Stück Pièce | | <table border="1"> <tr><td>BR</td><td>X</td></tr> <tr><td>AN</td><td></td></tr> <tr><td>KL</td><td>X</td></tr> <tr><td>GS</td><td>X</td></tr> <tr><td>Z</td><td></td></tr> <tr><td>W</td><td></td></tr> </table> | BR | X | AN | | KL | X | GS | X | Z | | W | |
| BR | X | | | | | | | | | | | | | | | | |
| AN | | | | | | | | | | | | | | | | | |
| KL | X | | | | | | | | | | | | | | | | |
| GS | X | | | | | | | | | | | | | | | | |
| Z | | | | | | | | | | | | | | | | | |
| W | | | | | | | | | | | | | | | | | |
|  | ACVT074 -Kam L=600 H=200 -Crête L=600 H=200 -Grat L=600 H=200 -Roof crest L=600 H=200 | 1 | Stuk Pièce Stück Pièce | | <table border="1"> <tr><td>BR</td><td>X</td></tr> <tr><td>AN</td><td></td></tr> <tr><td>KL</td><td>X</td></tr> <tr><td>GS</td><td>X</td></tr> <tr><td>Z</td><td></td></tr> <tr><td>W</td><td></td></tr> </table> | BR | X | AN | | KL | X | GS | X | Z | | W | |
| BR | X | | | | | | | | | | | | | | | | |
| AN | | | | | | | | | | | | | | | | | |
| KL | X | | | | | | | | | | | | | | | | |
| GS | X | | | | | | | | | | | | | | | | |
| Z | | | | | | | | | | | | | | | | | |
| W | | | | | | | | | | | | | | | | | |
|  | ACVT075 -Eindstuk kam -Pièce terminale pour crête -Endstück für Grat -End piece for roof crest L=111mm H=315mm | 1 | Stuk Pièce Stück Pièce | | <table border="1"> <tr><td>BR</td><td>X</td></tr> <tr><td>AN</td><td></td></tr> <tr><td>KL</td><td>X</td></tr> <tr><td>GS</td><td>X</td></tr> <tr><td>Z</td><td></td></tr> <tr><td>W</td><td></td></tr> </table> | BR | X | AN | | KL | X | GS | X | Z | | W | |
| BR | X | | | | | | | | | | | | | | | | |
| AN | | | | | | | | | | | | | | | | | |
| KL | X | | | | | | | | | | | | | | | | |
| GS | X | | | | | | | | | | | | | | | | |
| Z | | | | | | | | | | | | | | | | | |
| W | | | | | | | | | | | | | | | | | |
|  | ACVT515 -Stootblokje beglazing -Arrêt de vitrage -Abschlussklotze für verglazing -Glaspanel stop | 1 | Stuk Pièce Stück Pièce | VR514 VR515 VR515A VT052 | <table border="1"> <tr><td>BR</td><td></td></tr> <tr><td>AN</td><td></td></tr> <tr><td>KL</td><td></td></tr> <tr><td>GS</td><td></td></tr> <tr><td>Z</td><td>X</td></tr> <tr><td>W</td><td>X</td></tr> </table> | BR | | AN | | KL | | GS | | Z | X | W | X |
| BR | | | | | | | | | | | | | | | | | |
| AN | | | | | | | | | | | | | | | | | |
| KL | | | | | | | | | | | | | | | | | |
| GS | | | | | | | | | | | | | | | | | |
| Z | X | | | | | | | | | | | | | | | | |
| W | X | | | | | | | | | | | | | | | | |


BR = BRUT - BRUT - ROH - BRUT
 AN (X) = ANODISATIE - ANODISE - ELOXIERT - ANODISED
 AN (■) = GELAKT - LAQUE - LACKIERT - LACQUERED -- RAL9006M
 KL = STANDAARDKLEUREN - COULEUR STANDARD - BASIS FARBEN - BASIC COLORS
 GS = GEMOFFELD SPECIAAL - LAQUE SPECIAL - SPECIALFARBE - SPECIAL COLOR
 Z = ZWART - NOIR - SCHWARZ - BLACK
 W = WIT - BLANC - WEISS - WHITE

 GEREEDSCHAP - OUTILLAGE
 WERKZEUG - TOOL
 BEVESTIGING - FIXATION
 BEFESTIGUNG - FIXATION



| | Verp. per Emb. par Pack pr. | Einheid Unité Einheit Unit | Toepassing Application Anwendung Application | Kleur Couleur Farbe Color | | | | | | | | | | | | |
|--|-----------------------------------|-------------------------------------|---|--|----|---|----|--|----|---|----|---|---|--|---|--|
|  <p>ACVT713</p> <ul style="list-style-type: none"> -Tie rod end clevis -Tie rod end clevis -Tie rod end clevis -Tie rod end clevis | 1 | Stuk Pièce Stück Piece | | <table border="1"> <tr><td>BR</td><td>X</td></tr> <tr><td>AN</td><td></td></tr> <tr><td>KL</td><td>X</td></tr> <tr><td>GS</td><td>X</td></tr> <tr><td>Z</td><td></td></tr> <tr><td>W</td><td></td></tr> </table> | BR | X | AN | | KL | X | GS | X | Z | | W | |
| BR | X | | | | | | | | | | | | | | | |
| AN | | | | | | | | | | | | | | | | |
| KL | X | | | | | | | | | | | | | | | |
| GS | X | | | | | | | | | | | | | | | |
| Z | | | | | | | | | | | | | | | | |
| W | | | | | | | | | | | | | | | | |
|  <p>ACVT714</p> <ul style="list-style-type: none"> -Tie bar centre boss -Tie bar centre boss -Tie bar centre boss -Tie bar centre boss | 1 | Stuk Pièce Stück Piece | | <table border="1"> <tr><td>BR</td><td>X</td></tr> <tr><td>AN</td><td></td></tr> <tr><td>KL</td><td>X</td></tr> <tr><td>GS</td><td>X</td></tr> <tr><td>Z</td><td></td></tr> <tr><td>W</td><td></td></tr> </table> | BR | X | AN | | KL | X | GS | X | Z | | W | |
| BR | X | | | | | | | | | | | | | | | |
| AN | | | | | | | | | | | | | | | | |
| KL | X | | | | | | | | | | | | | | | |
| GS | X | | | | | | | | | | | | | | | |
| Z | | | | | | | | | | | | | | | | |
| W | | | | | | | | | | | | | | | | |
|  <p>ACVT715</p> <ul style="list-style-type: none"> -90° fixing lug -90° fixing lug -90° fixing lug -90° fixing lug | 1 | Stuk Pièce Stück Piece | | <table border="1"> <tr><td>BR</td><td>X</td></tr> <tr><td>AN</td><td></td></tr> <tr><td>KL</td><td>X</td></tr> <tr><td>GS</td><td>X</td></tr> <tr><td>Z</td><td></td></tr> <tr><td>W</td><td></td></tr> </table> | BR | X | AN | | KL | X | GS | X | Z | | W | |
| BR | X | | | | | | | | | | | | | | | |
| AN | | | | | | | | | | | | | | | | |
| KL | X | | | | | | | | | | | | | | | |
| GS | X | | | | | | | | | | | | | | | |
| Z | | | | | | | | | | | | | | | | |
| W | | | | | | | | | | | | | | | | |
|  <p>ACVT716</p> <ul style="list-style-type: none"> -Koppelstuk tie-bar met nok -Pièce de jonction pour "tie-bar" et faitage -Verbindung für "tie-bar" und Firtbalken -Connection piece for tie-bar and ridge | 1 | Stuk Pièce Stück Piece | | <table border="1"> <tr><td>BR</td><td>X</td></tr> <tr><td>AN</td><td></td></tr> <tr><td>KL</td><td>X</td></tr> <tr><td>GS</td><td>X</td></tr> <tr><td>Z</td><td></td></tr> <tr><td>W</td><td></td></tr> </table> | BR | X | AN | | KL | X | GS | X | Z | | W | |
| BR | X | | | | | | | | | | | | | | | |
| AN | | | | | | | | | | | | | | | | |
| KL | X | | | | | | | | | | | | | | | |
| GS | X | | | | | | | | | | | | | | | |
| Z | | | | | | | | | | | | | | | | |
| W | | | | | | | | | | | | | | | | |
|  <p>ACVT717</p> <ul style="list-style-type: none"> -Cover disk tudor rose -Cover disk tudor rose -Cover disk tudor rose -Cover disk tudor rose | 1 | Stuk Pièce Stück Piece | | <table border="1"> <tr><td>BR</td><td>X</td></tr> <tr><td>AN</td><td></td></tr> <tr><td>KL</td><td>X</td></tr> <tr><td>GS</td><td>X</td></tr> <tr><td>Z</td><td></td></tr> <tr><td>W</td><td></td></tr> </table> | BR | X | AN | | KL | X | GS | X | Z | | W | |
| BR | X | | | | | | | | | | | | | | | |
| AN | | | | | | | | | | | | | | | | |
| KL | X | | | | | | | | | | | | | | | |
| GS | X | | | | | | | | | | | | | | | |
| Z | | | | | | | | | | | | | | | | |
| W | | | | | | | | | | | | | | | | |



| | Verp. per Emb. par Pack pr. Pack pr. | Eenheid Unité Einheit Unit | Toepassing Application Anwendung Application | Kleur Couleur Farbe Color | | | | | | | | | | | | |
|---|---|-------------------------------------|---|--|----|---|----|--|----|---|----|---|---|--|---|--|
|  <p>ACVT718 -4 way tie bar centre boss -4 way tie bar centre boss -4 way tie bar centre boss -4 way tie bar centre boss</p> | 1 | Stuk Pièce Stück Piece | | <table border="1"> <tr> <td>BR</td> <td>X</td> </tr> <tr> <td>AN</td> <td></td> </tr> <tr> <td>KL</td> <td>X</td> </tr> <tr> <td>GS</td> <td>X</td> </tr> <tr> <td>Z</td> <td></td> </tr> <tr> <td>W</td> <td></td> </tr> </table> | BR | X | AN | | KL | X | GS | X | Z | | W | |
| BR | X | | | | | | | | | | | | | | | |
| AN | | | | | | | | | | | | | | | | |
| KL | X | | | | | | | | | | | | | | | |
| GS | X | | | | | | | | | | | | | | | |
| Z | | | | | | | | | | | | | | | | |
| W | | | | | | | | | | | | | | | | |

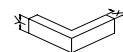
BR = BRUT - BRUT - ROH - BRUT
 AN (X) = ANODISATIE - ANODISE - ELOXIERT - ANODISED
 AN (■) = GELAKT - LAQUE - LACKIERT - LACQUERED -- RAL9006M
 KL = STANDAARDKLEUREN - COULEUR STANDARD - BASIS FARBEN - BASIC COLORS
 GS = GEMOFFELD SPECIAAL - LAQUE SPECIAL - SPECIALFARBE - SPECIAL COLOR
 Z = ZWART - NOIR - SCHWARZ - BLACK
 W = WIT - BLANC - WEISS - WHITE



GEREEDSCHAP - OUTILLAGE
WERKZEUG - TOOL



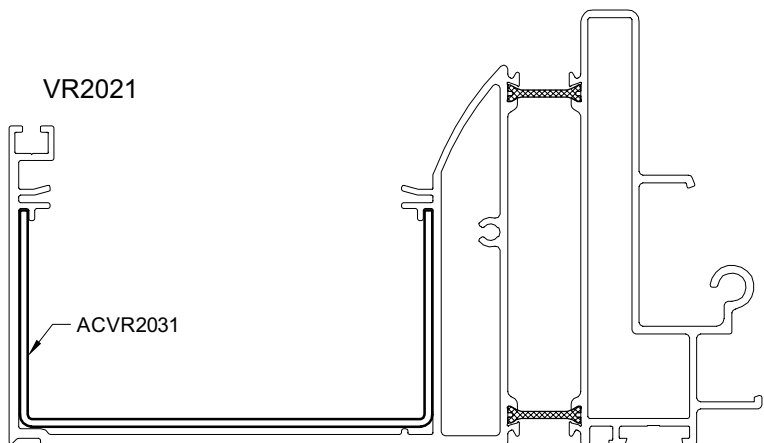
BEVESTIGING - FIXATION
BEFESTIGUNG - FIXATION



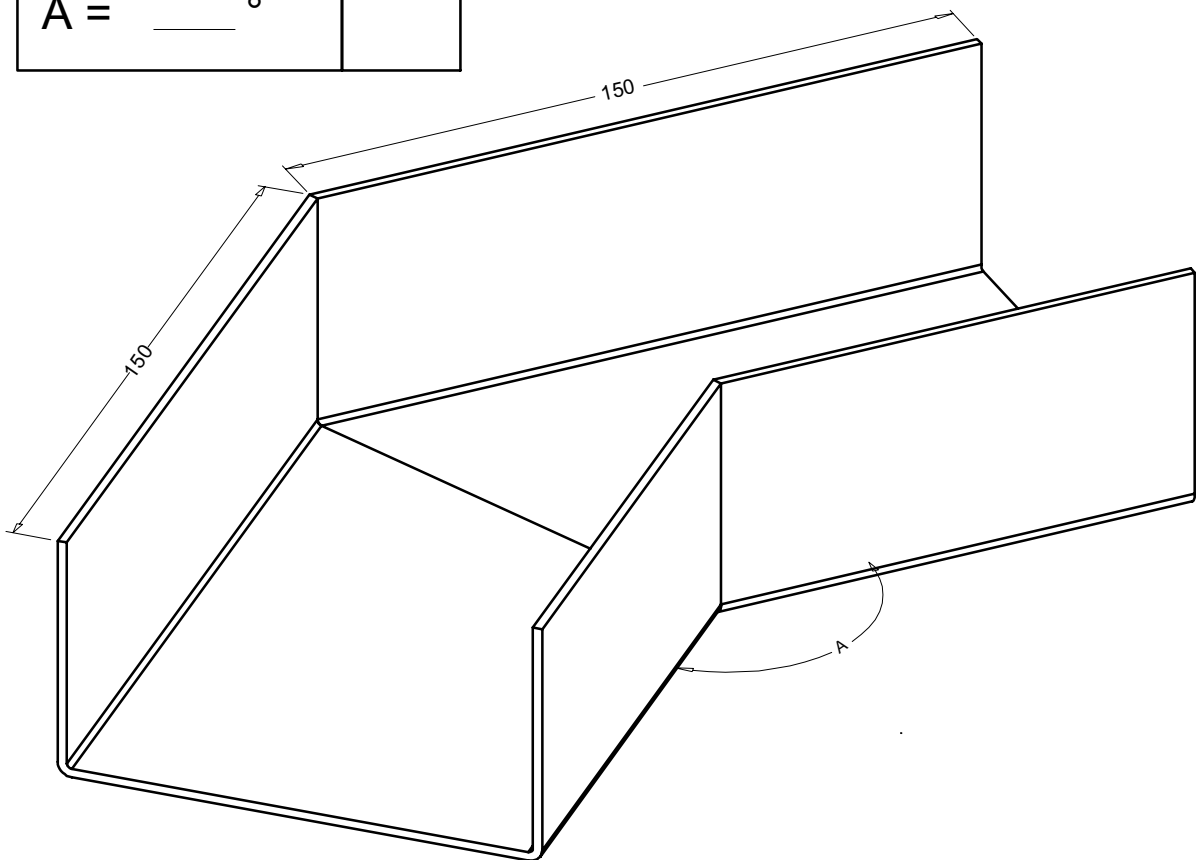
ALGEMENE INFORMATIE
INFORMATION GENERALE
ALGEMEINE INFORMATION
GENERAL INFORMATION

TOEBEHOREN - ACCESSOIRES - ZUBEHORTEILE - ACCESSORIES

| | |
|-----------------|-------|
| Aliplast intern | |
| P.O.: | _____ |
| Ordernr.: | _____ |
| Leveran.: | _____ |
| Dat. Lev.: | _____ |

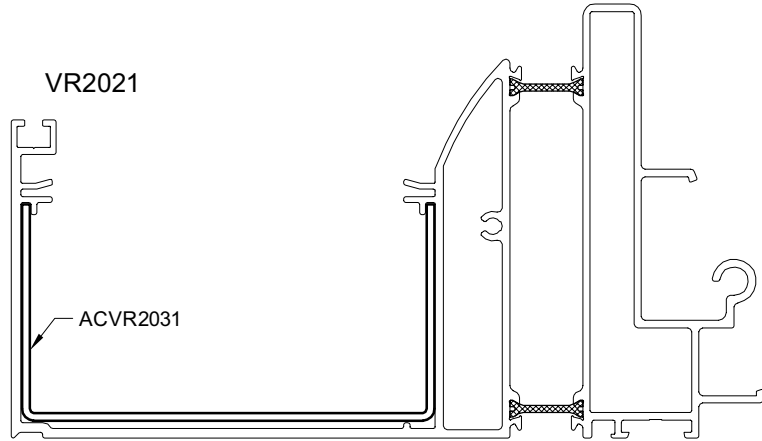


| | |
|------------------|--------------------------------------|
| ACVR2031A | AANTAL NOMBRE ANZALH NUMBER |
| A = _____ ° | |

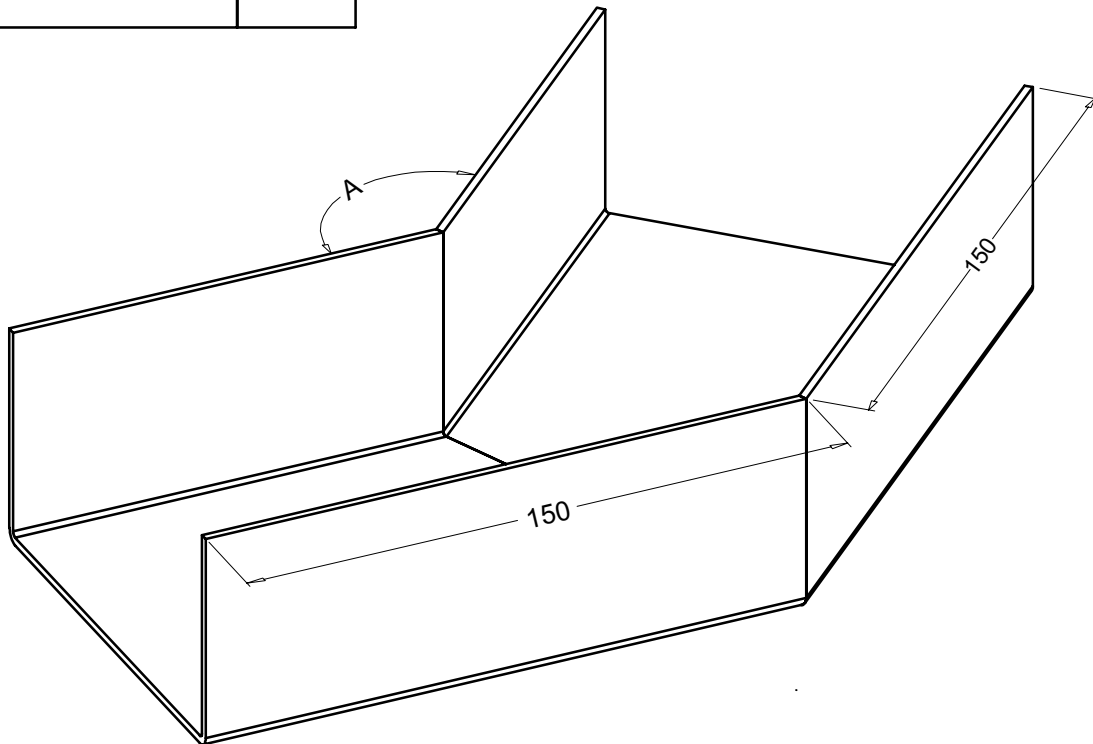


INFO1

| | |
|------------------|--|
| Aliplast intern | |
| P.O.: _____ | |
| Ordernr.: _____ | |
| Leveran.: _____ | |
| Dat. Lev.: _____ | |



| | |
|------------------|--------------------------------------|
| ACVR2031B | AANTAL NOMBRE ANZALH NUMBER |
| A = ____ ° | |



ALGEMENE INFORMATIE
INFORMATION GENERALE
ALGEMEINE INFORMATION
GENERAL INFORMATION

TOEBEHOREN - ACCESSOIRES - ZUBEHORTEILE - ACCESSORIES

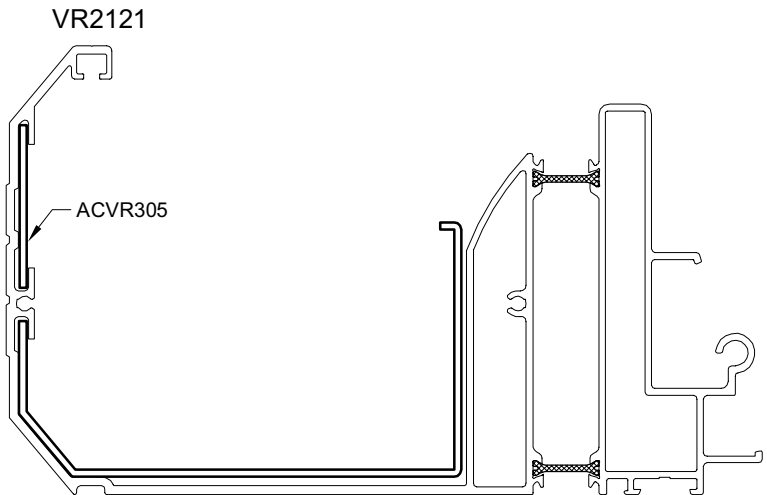
Aliplast intern

P.O.: _____

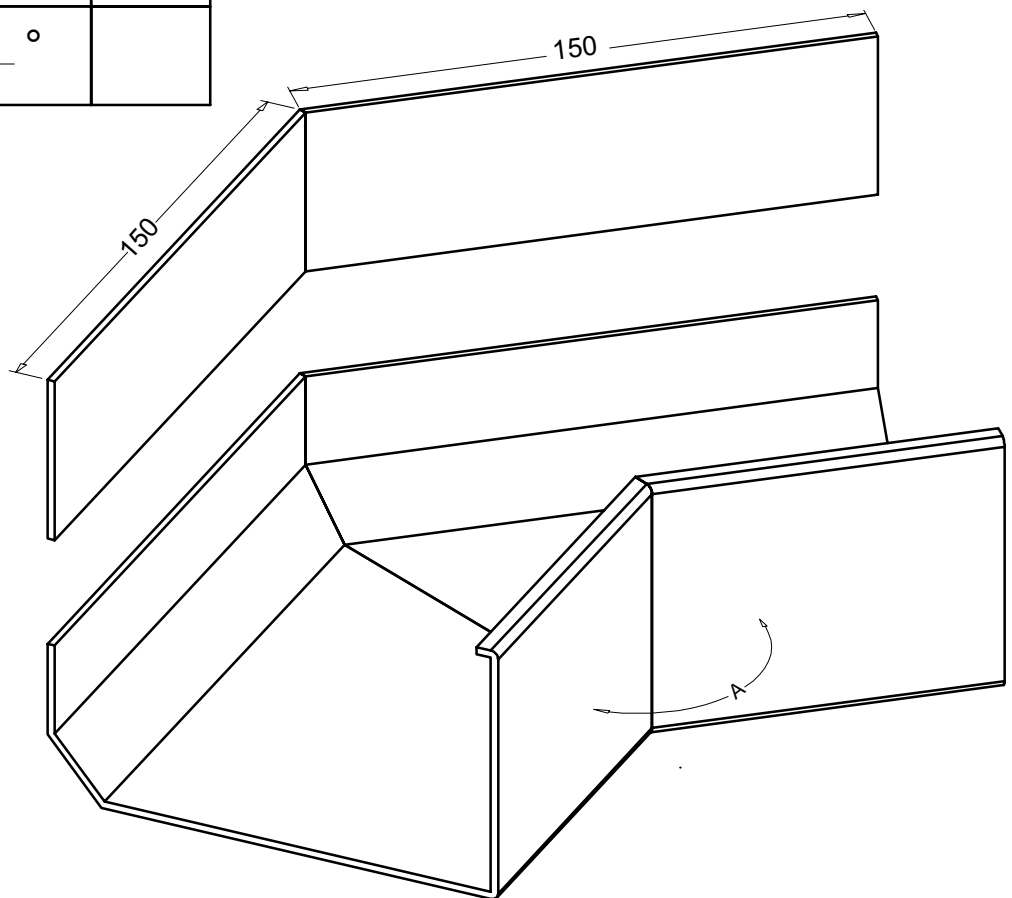
Ordernr.: _____

Leveran.: _____

Dat. Lev.: _____



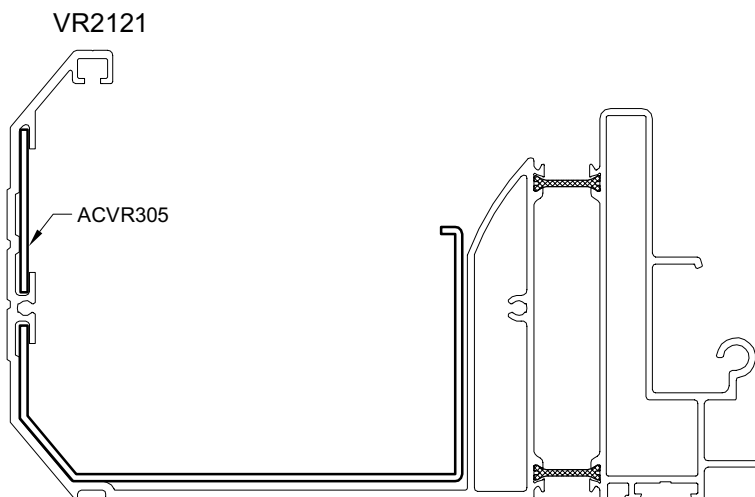
| | |
|-----------------|--------------------------------------|
| ACVR305A | AANTAL NOMBRE ANZALH NUMBER |
| A = ____ ° | |



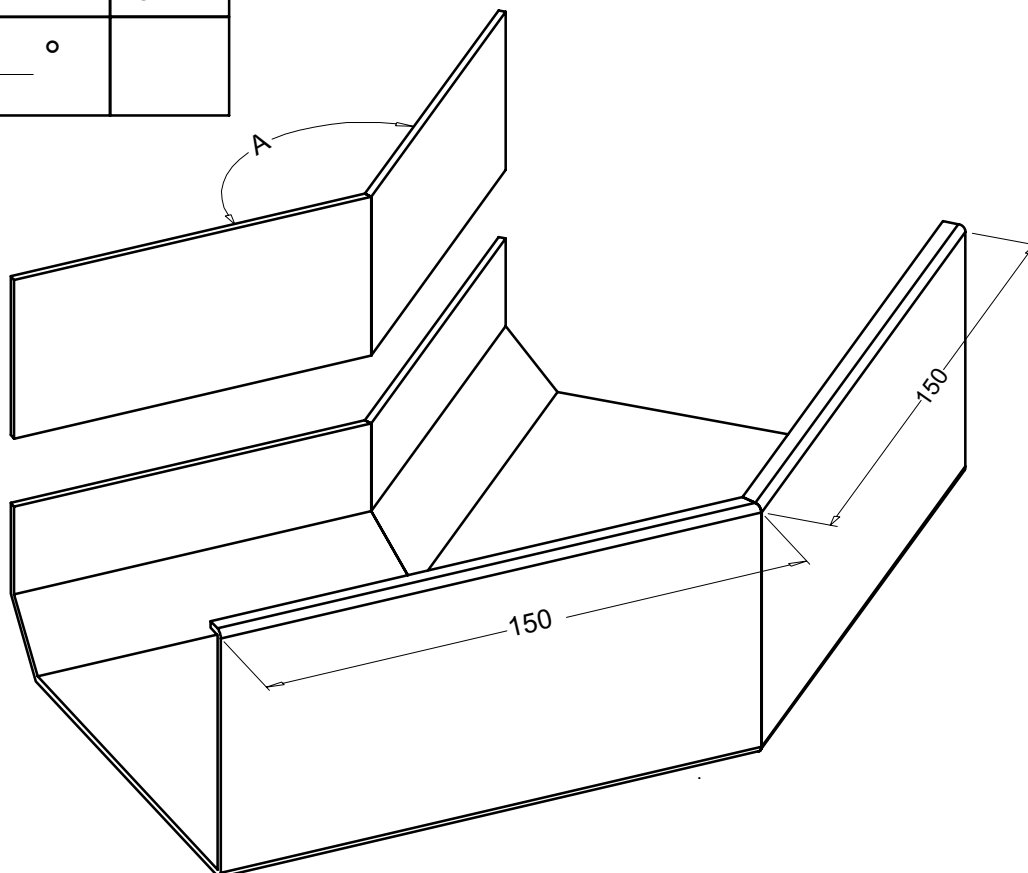
ALGEMENE INFORMATIE
INFORMATION GENERALE
ALGEMEINE INFORMATION
GENERAL INFORMATION

TOEBEHOREN - ACCESSOIRES - ZUBEHORTEILE - ACCESSORIES

| | |
|------------------|--|
| Aliplast intern | |
| P.O.: _____ | |
| Ordernr.: _____ | |
| Leveran.: _____ | |
| Dat. Lev.: _____ | |



| | |
|----------|--------------------------------------|
| ACVR305B | AANTAL NOMBRE ANZALH NUMBER |
| | A = ____ ° |

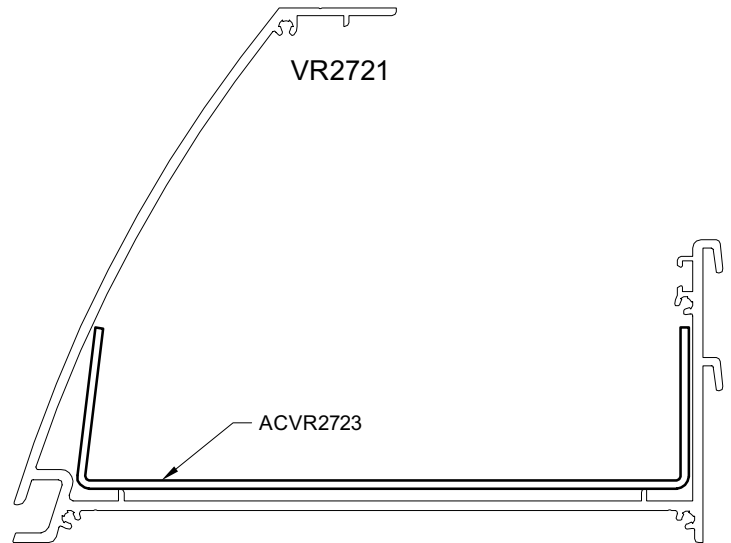


Info3

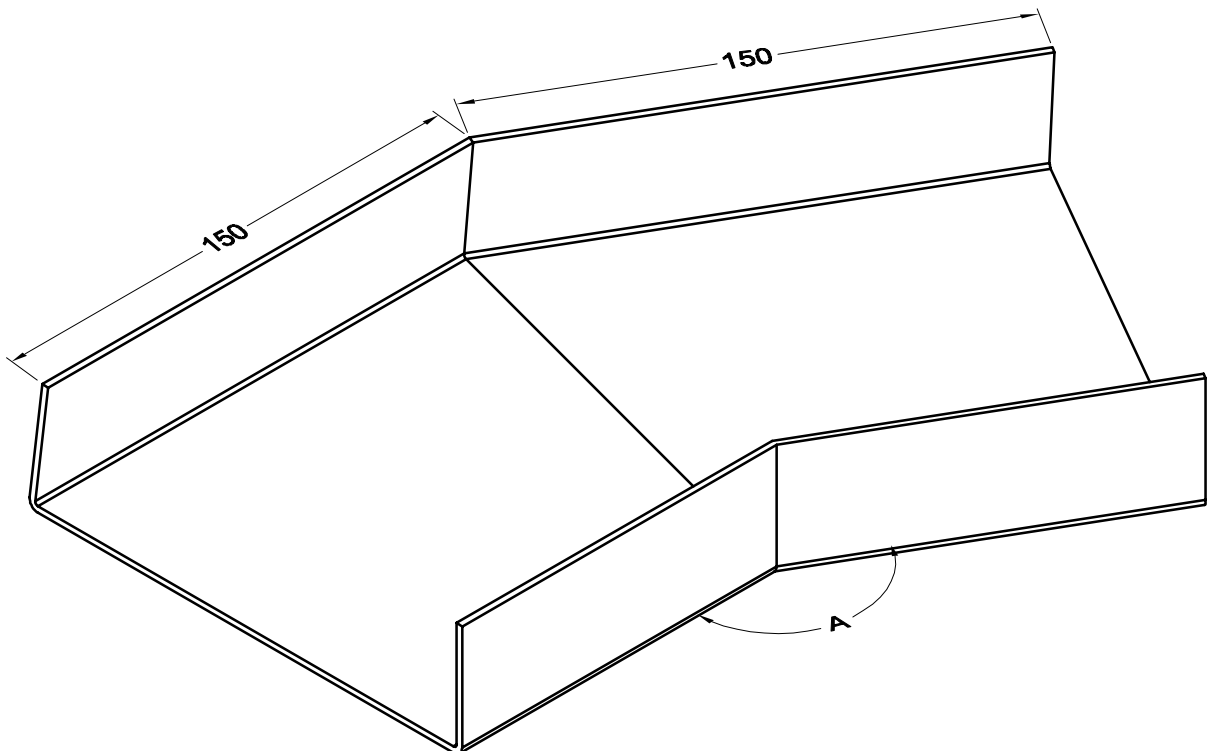
ALGEMENE INFORMATIE
INFORMATION GENERALE
ALGEMEINE INFORMATION
GENERAL INFORMATION

TOEBEHOREN - ACCESSOIRES - ZUBEHORTEILE - ACCESSORIES

| |
|------------------|
| Aliplast intern |
| P.O.: _____ |
| Ordernr.: _____ |
| Leveran.: _____ |
| Dat. Lev.: _____ |

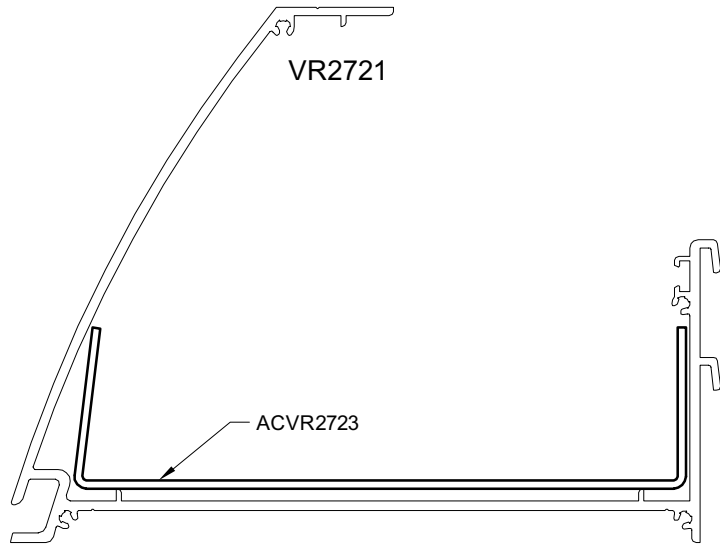


| | |
|-------------|--------------------------------------|
| ACVR2723A | AANTAL NOMBRE ANZALH NUMBER |
| A = _____ ° | |

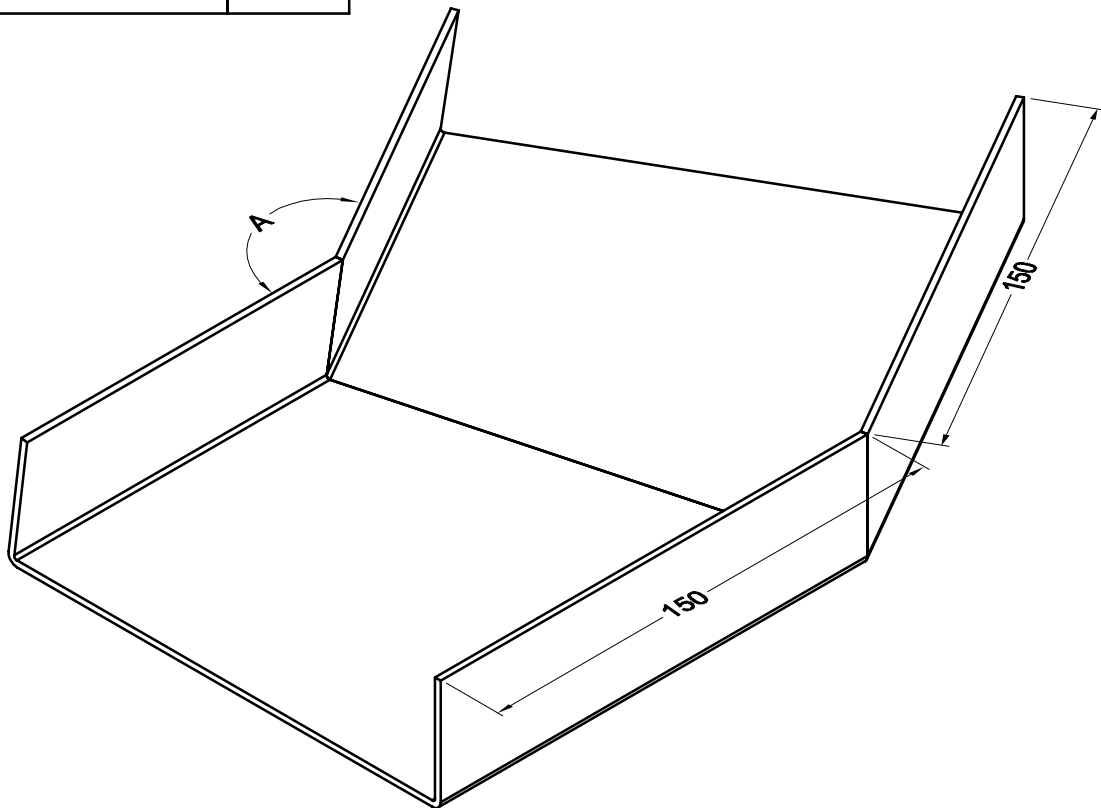


INFO5

| | |
|-----------------|-------|
| Aliplast intern | |
| P.O.: | _____ |
| Ordernr.: | _____ |
| Leveran.: | _____ |
| Dat. Lev.: | _____ |



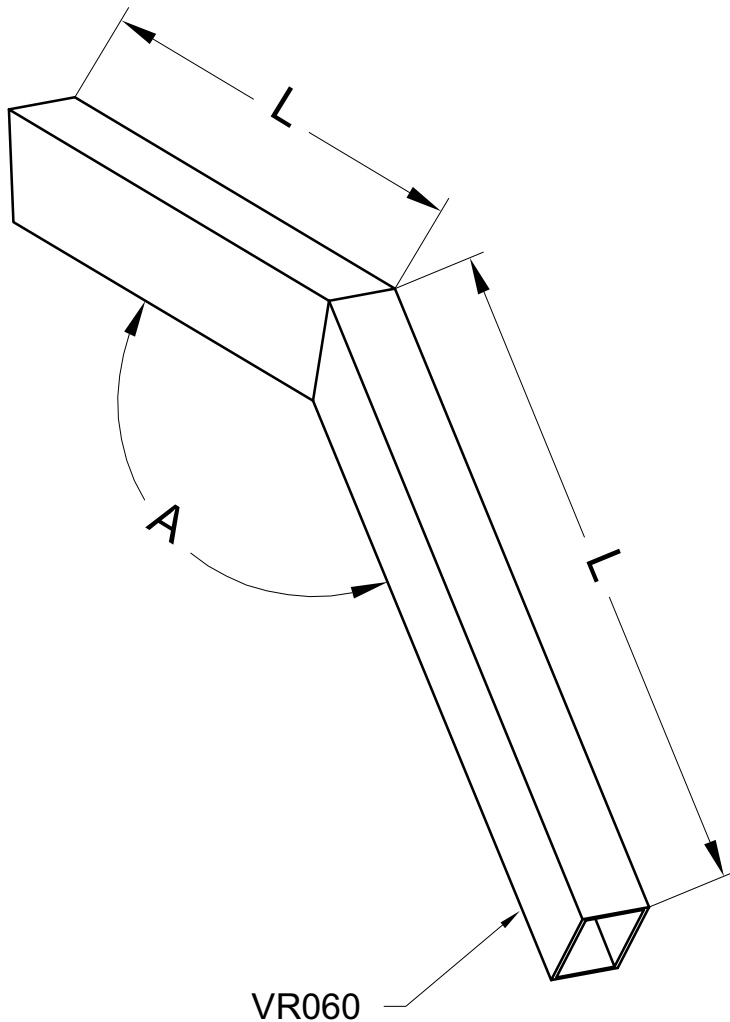
| | |
|------------|--------------------------------------|
| ACVR2723B | AANTAL NOMBRE ANZALH NUMBER |
| A = _____° | |



ALGEMENE INFORMATIE
INFORMATION GENERALE
ALGEMEINE INFORMATION
GENERAL INFORMATION

TOEBEHOREN - ACCESSOIRES - ZUBEHORTEILE - ACCESSORIES

| | | | |
|------------------------------|--|-------|--|
| ACVR306 | KOPPELSTUK JONCTION KUPPLUNGSBUGEL DILATATION | VR011 | BESTELFORMULIER BORDEREAU DE COMMANDE ORDER DOCUMENT AUFTRAG FORMULAR |
| DATE : _____ REF. : _____ | KLANT / CLIENT / KUNDE / CUSTOMER _____ _____ | | P.O. : _____ ORDERNR. : _____ LEVERANCIER : _____ DATUM LEV. : _____ |

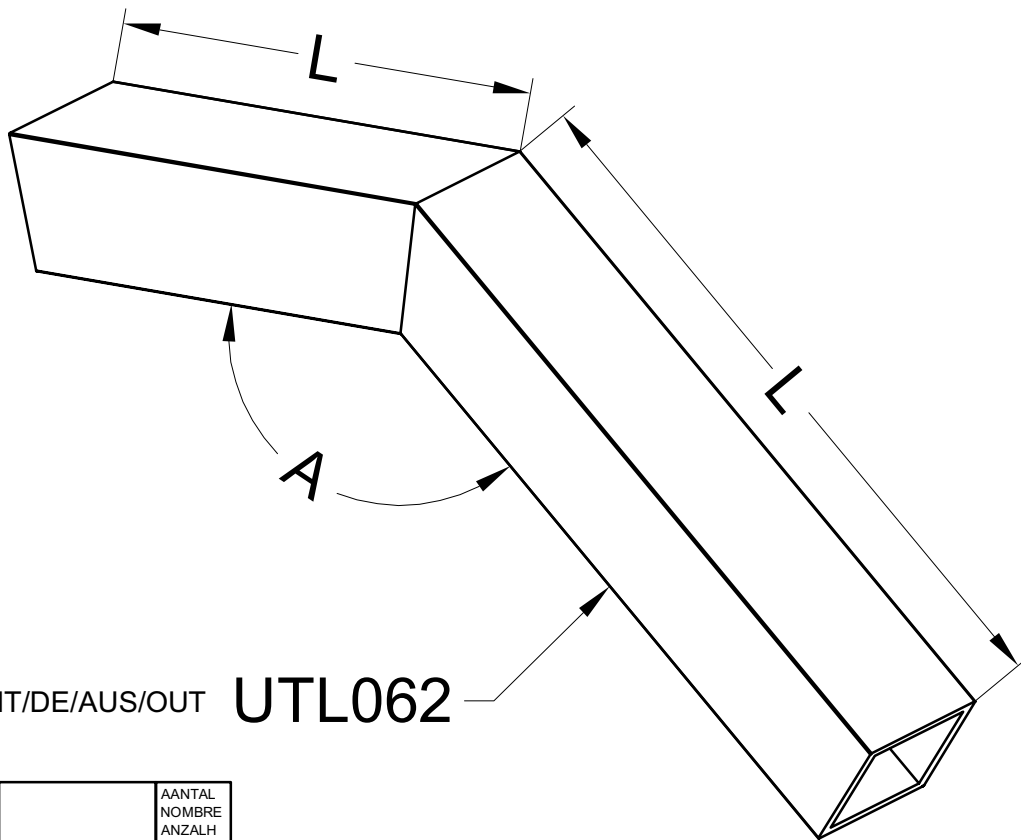


| | AANTAL NOMBRE ANZALH NUMBER |
|----------------------|--------------------------------------|
| A = ____ L = ____ | |
| A = ____ L = ____ | |
| A = ____ L = ____ | |
| A = ____ L = ____ | |

ALGEMENE INFORMATIE
INFORMATION GENERALE
ALGEMEINE INFORMATION
GENERAL INFORMATION

TOEBEHOREN - ACCESSOIRES - ZUBEHORTEILE - ACCESSORIES

| | | | |
|-----------------|--|--------|--|
| ACVR1307 | KOPPELSTUK JONCTION KUPPLUNGSBUGEL DILATATION | VR111N | BESTELFORMULIER BORDEREAU DE COMMANDE ORDER DOCUMENT AUFTRAG FORMULAR |
| DATE : _____ | KLANT / CLIENT / KUNDE / CUSTOMER | | P.O. : _____ |
| REF. : _____ | | | ORDERNR. : _____ |
| | | | LEVERANCIER : _____ |
| | | | DATUM LEV. : _____ |



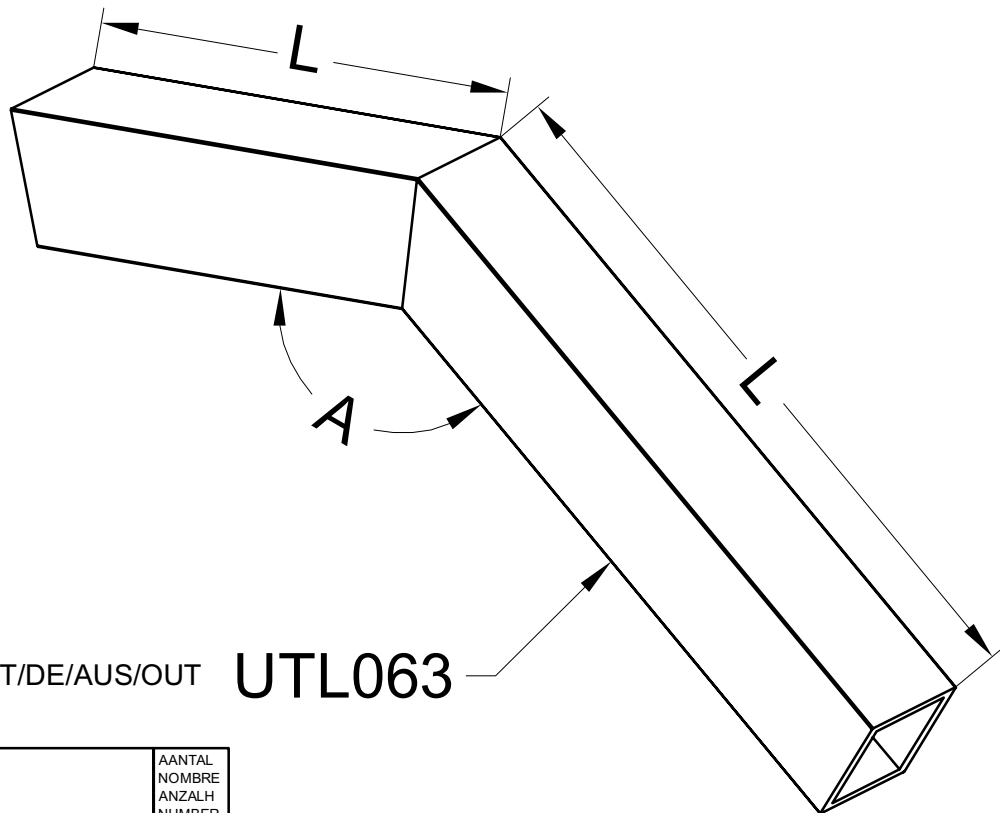
| | AANTAL NOMBRE ANZALH NUMBER |
|----------------------|--------------------------------------|
| A = ____ L = ____ | |
| A = ____ L = ____ | |
| A = ____ L = ____ | |
| A = ____ L = ____ | |

facvr1307

ALGEMENE INFORMATIE
INFORMATION GENERALE
ALGEMEINE INFORMATION
GENERAL INFORMATION

TOEBEHOREN - ACCESSOIRES - ZUBEHORTEILE - ACCESSORIES

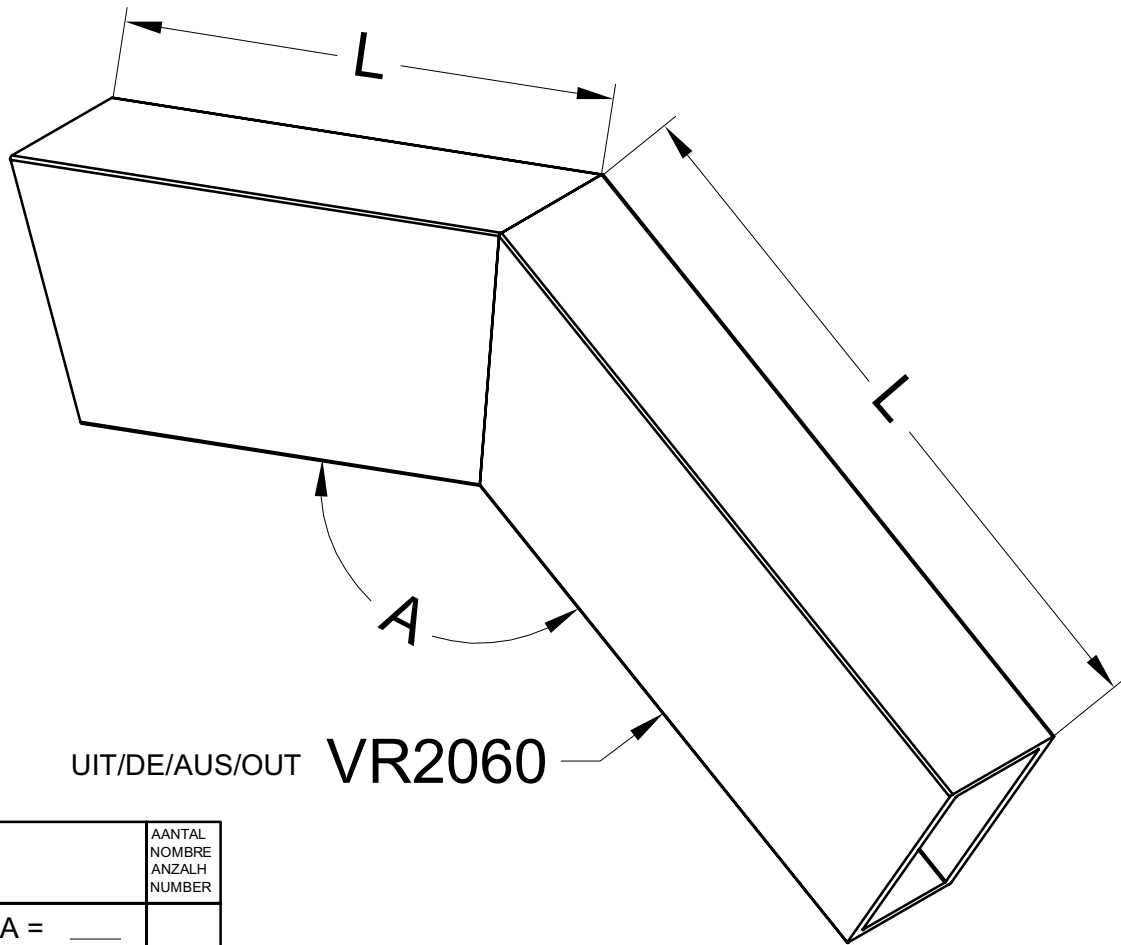
| | | | |
|-----------------|--|--------|--|
| ACVR1308 | KOPPELSTUK JONCTION KUPPLUNGSBUGEL DILATATION | VR111V | BESTELFORMULIER BORDEREAU DE COMMANDE ORDER DOCUMENT AUFTRAG FORMULAR |
| DATE : _____ | KLANT / CLIENT / KUNDE / CUSTOMER | | P.O. : _____ |
| REF. : _____ | | | ORDERNR. : _____ |
| | | | LEVERANCIER : _____ |
| | | | DATUM LEV. : _____ |



UIT/DE/AUS/OUT **UTL063**

| | AANTAL NOMBRE ANZALH NUMBER |
|----------------------|--------------------------------------|
| A = ____ L = ____ | |
| A = ____ L = ____ | |
| A = ____ L = ____ | |
| A = ____ L = ____ | |

| | | | |
|-----------------------------|--|--------|--|
| ACVR2306 | KOPPELSTUK JUNCTION KUPPLUNGSBUGEL DILATATION | VR2011 | BESTELFORMULIER BORDEREAU DE COMMANDE ORDER DOCUMENT AUFTRAG FORMULAR |
| DATE : _____ REF.: _____ | KLANT / CLIENT / KUNDE / CUSTOMER _____ _____ | | P.O. : _____ ORDERNR. : _____ LEVERANCIER : _____ DATUM LEV. : _____ |



UIT/DE/AUS/OUT **VR2060**

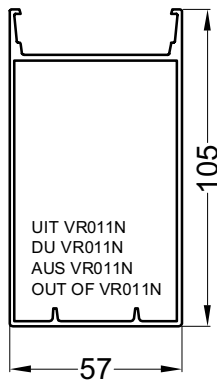
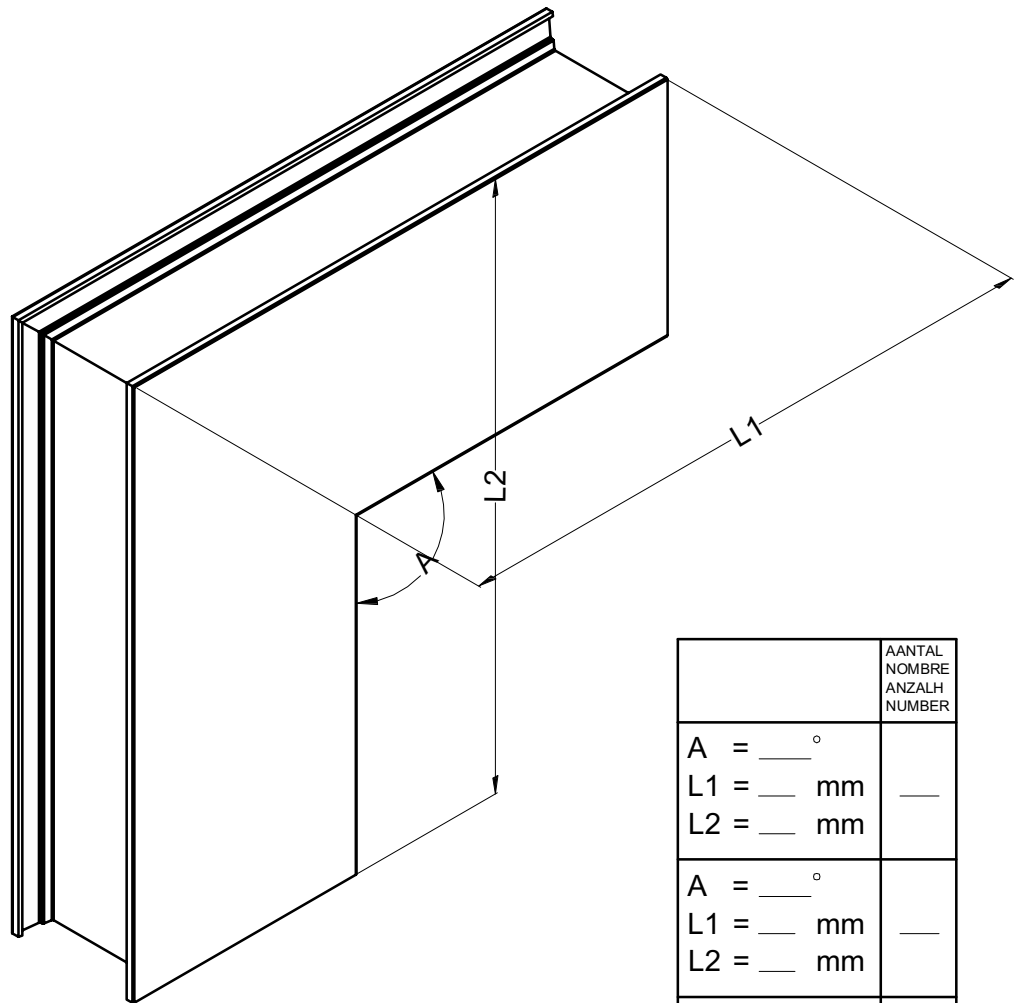
| | AANTAL NOMBRE ANZALH NUMBER |
|----------------------|--------------------------------------|
| A = ____ L = ____ | |
| A = ____ L = ____ | |
| A = ____ L = ____ | |
| A = ____ L = ____ | |

Standaardprijs geldig voor L=500mm
 Prix standard valable pour L=500mm
 Standardpreis gültig für L=500mm
 Standard price valid for L=50mm

ALGEMENE INFORMATIE
INFORMATION GENERALE
ALGEMEINE INFORMATION
GENERAL INFORMATION

TOEBEHOREN - ACCESSOIRES - ZUBEHORTEILE - ACCESSORIES

| | | |
|-----------------------------|--|--|
| ACVR011N | GELAST STUK UIT VR011N PIECE SOUDE DU VR011N GESCHWEISST STUK AUS VR011N WELDED PIECE OUT OF VR011N | BESTELFORMULIER BORDEREAU DE COMMANDE ORDER DOCUMENT AUFTRAG FORMULAR |
| DATE : _____ REF.: _____ | KLANT / CLIENT / KUNDE / CUSTOMER _____ _____ | P.O. : _____ ORDERNR. : _____ LEVERANCIER : _____ DATUM LEV. : _____ |



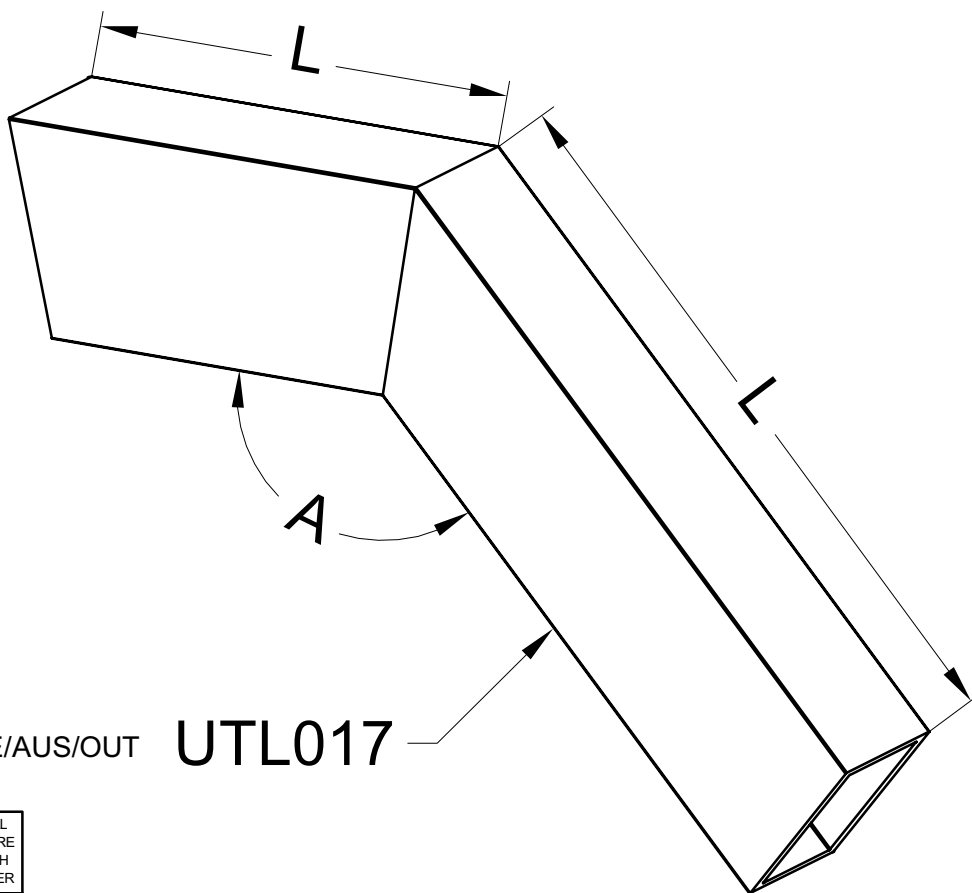
| | AANTAL NOMBRE ANZALH NUMBER |
|--|--------------------------------------|
| A = ___° L1 = ___ mm L2 = ___ mm | ___ |
| A = ___° L1 = ___ mm L2 = ___ mm | ___ |
| A = ___° L1 = ___ mm L2 = ___ mm | ___ |
| A = ___° L1 = ___ mm L2 = ___ mm | ___ |

ACVR011N

ALGEMENE INFORMATIE
INFORMATION GENERALE
ALGEMEINE INFORMATION
GENERAL INFORMATION

TOEBEHOREN - ACCESSOIRES - ZUBEHORTEILE - ACCESSORIES

| | | | |
|------------------------------|--|--------|--|
| ACVR2308 | KOPPELSTUK JONCTION KUPPLUNGSBUGEL DILATATION | VR011V | BESTELFORMULIER BORDEREAU DE COMMANDE ORDER DOCUMENT AUFTRAG FORMULAR |
| DATE : _____ REF. : _____ | KLANT / CLIENT / KUNDE / CUSTOMER _____ _____ _____ | | P.O. : _____ ORDERNR. : _____ LEVERANCIER : _____ DATUM LEV. : _____ |



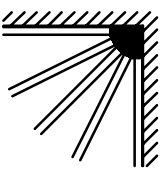
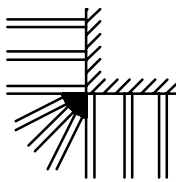
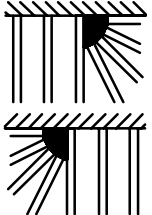
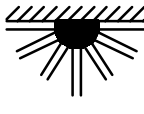
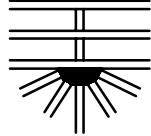
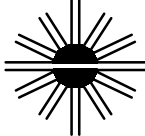
UIT/DE/AUS/OUT **UTL017**

| | AANTAL NOMBRE ANZALH NUMBER |
|----------------------|--------------------------------------|
| A = ____ L = ____ | |
| A = ____ L = ____ | |
| A = ____ L = ____ | |
| A = ____ L = ____ | |

1Acvr2308

RAL IN : RAL EX :

Selecteer type / Sélectionnez type / Selektier Typ / Select type

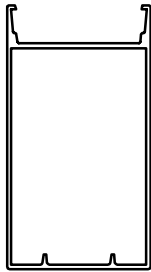
| ACVR300 | | | ACVR301 | | ACVR302 |
|---|---|---|--|---|---|
|  |  |  |  |  |  |
| <input type="checkbox"/> | <input type="checkbox"/> | <input type="checkbox"/> | <input type="checkbox"/> | <input type="checkbox"/> | <input type="checkbox"/> |

Grondplan in bijlage / Vue en plan en annexe / Grundplan in Anlage / Planview enclosed

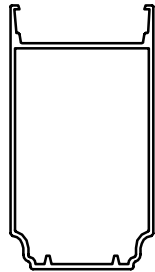
Grondplan + hoogteverschil / Vue en plan + différence de niveau /
Grundplan + Niveauunterschied / Planview + difference in height:

STATICA - STATIQUE - STATIK - STATICS

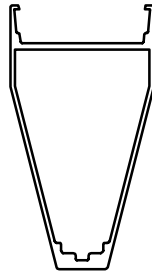
VR011N
I_{xx} = 79.3 cm⁴



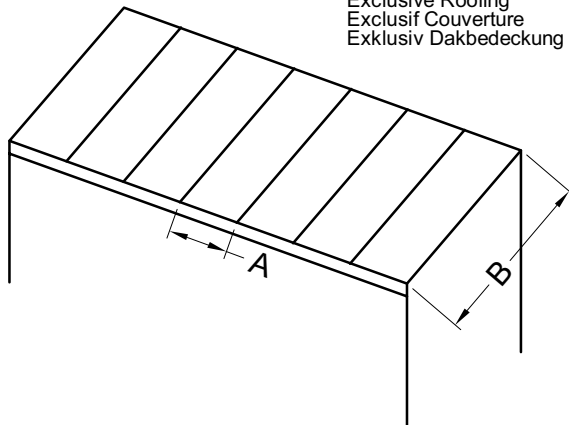
VR011V
I_{xx} = 80.1 cm⁴



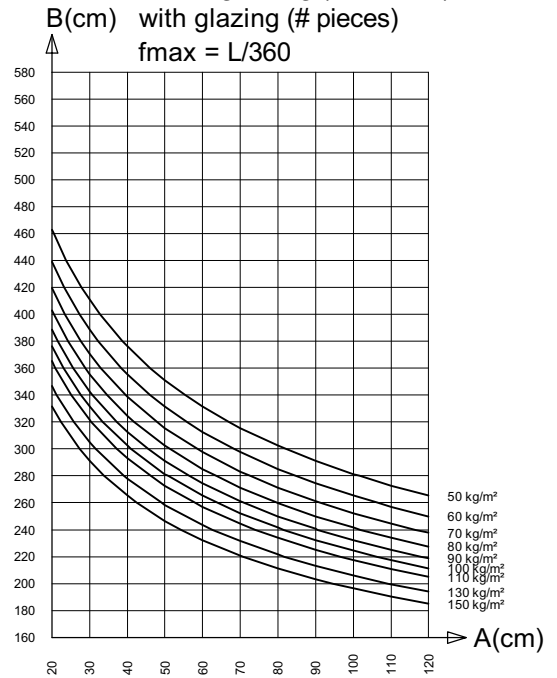
VR011ST
I_{xx} = 84.6 cm⁴



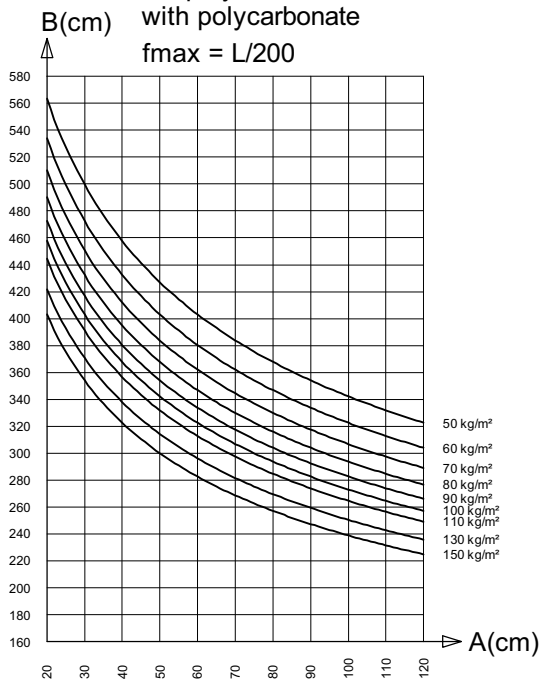
Exclusief Dakbedekking
Exclusive Roofing
Exclusif Couverture
Exklusiv Dakbedeckung



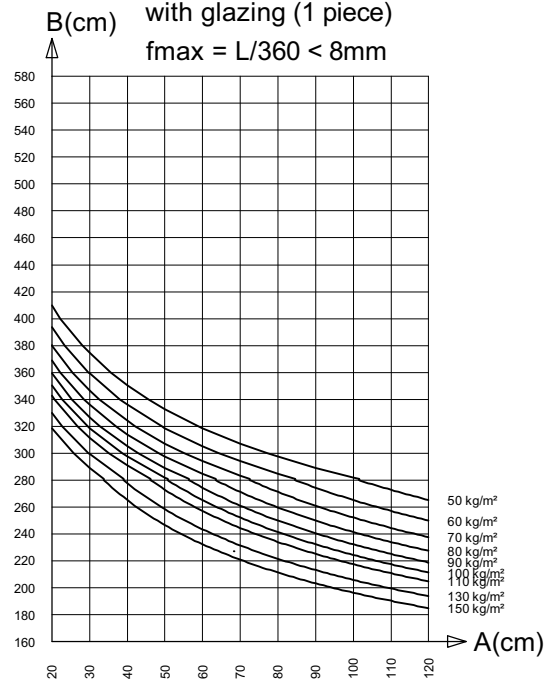
met glas (# stukken)
avec vitrage (# pièces)
mit verglasung (# Stücken)
with glazing (# pieces)
f_{max} = L/360



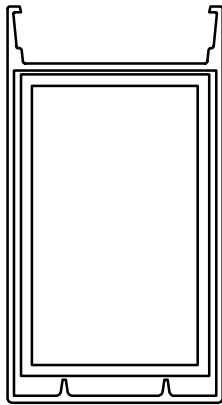
met polycarbonaat
avec polycarbonate
mit polycarbonat
with polycarbonate
f_{max} = L/200



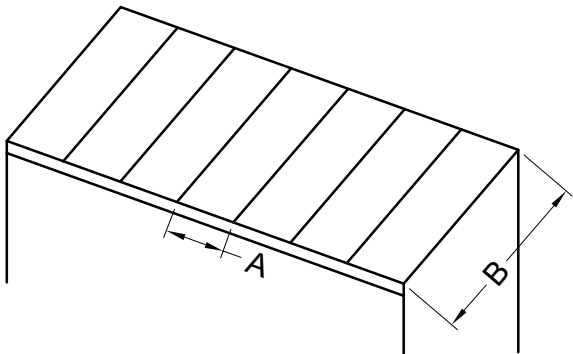
met glas (1 stuk)
avec vitrage (1 pièce)
mit verglasung (1 Stück)
with glazing (1 piece)
f_{max} = L/360 < 8mm



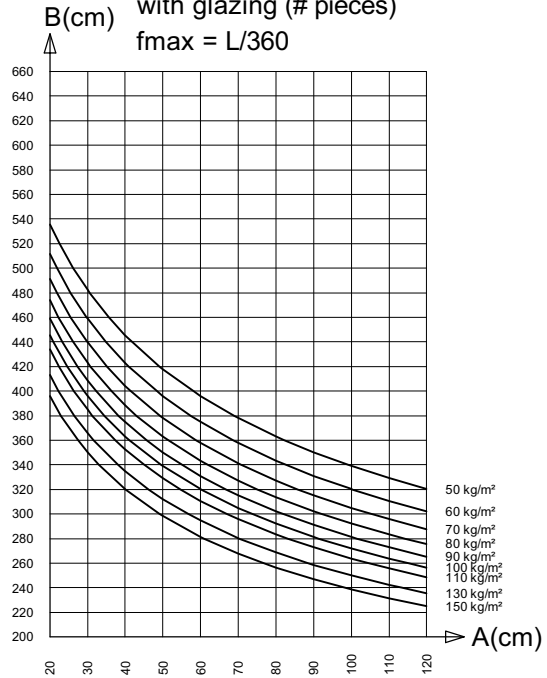
VR011N + VR060
I_{xx} = 144.1 cm⁴



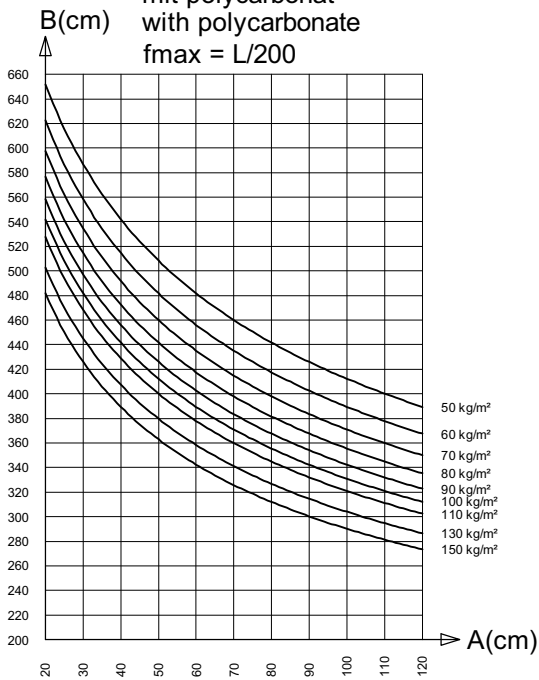
Exclusief Dakbedekking
Exclusive Roofing
Exclusif Couverture
Exklusiv Dakbedeckung



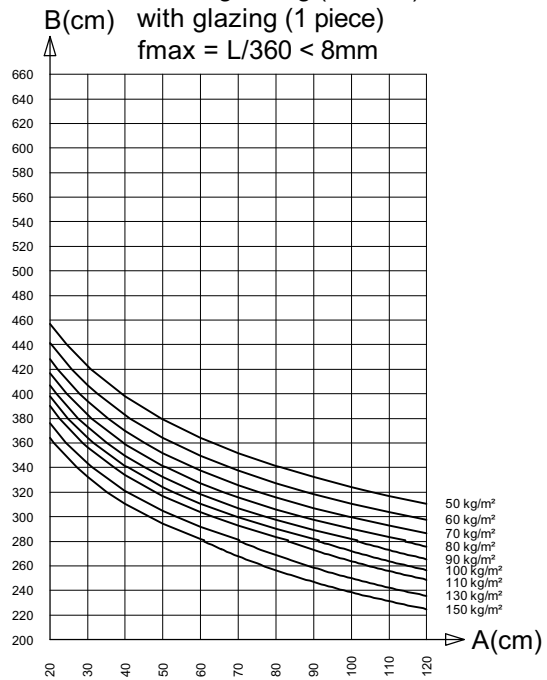
met glas (# stukken)
avec vitrage (# pièces)
mit verglasung (# Stücken)
with glazing (# pieces)
f_{max} = L/360



met polycarbonaat
avec polycarbonate
mit polycarbonat
with polycarbonate
f_{max} = L/200

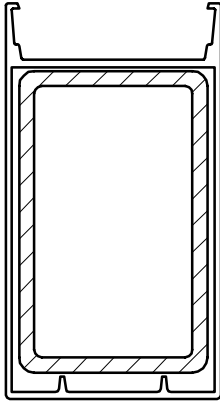


met glas (1 stuk)
avec vitrage (1 pièce)
mit verglasung (1 Stück)
with glazing (1 piece)
f_{max} = L/360 < 8mm

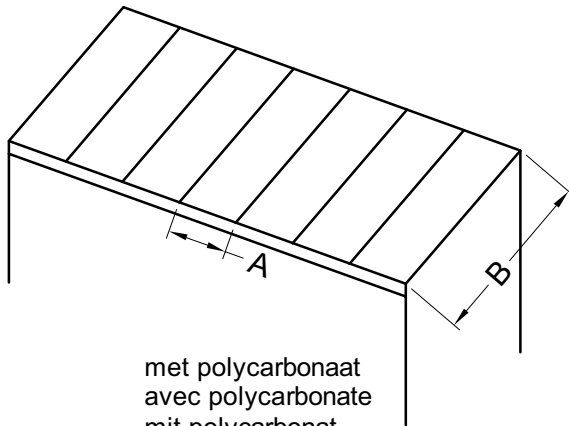


STATICA - STATIQUE - STATIK - STATICS

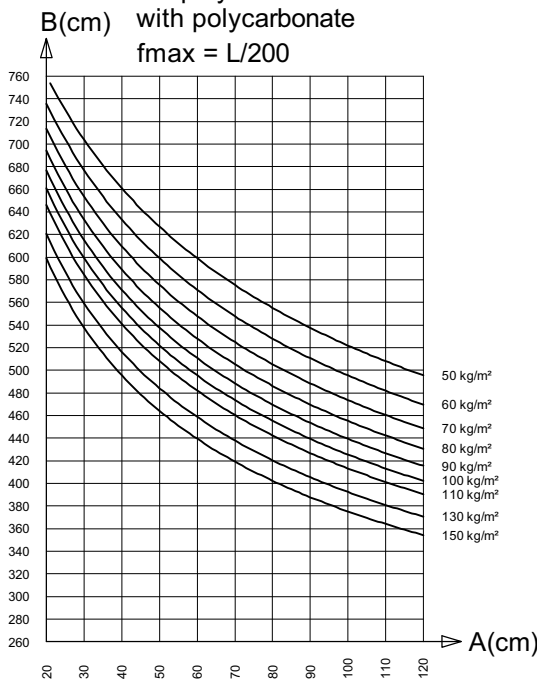
VR011N + VR061
l_{xx} = 322.4 cm4



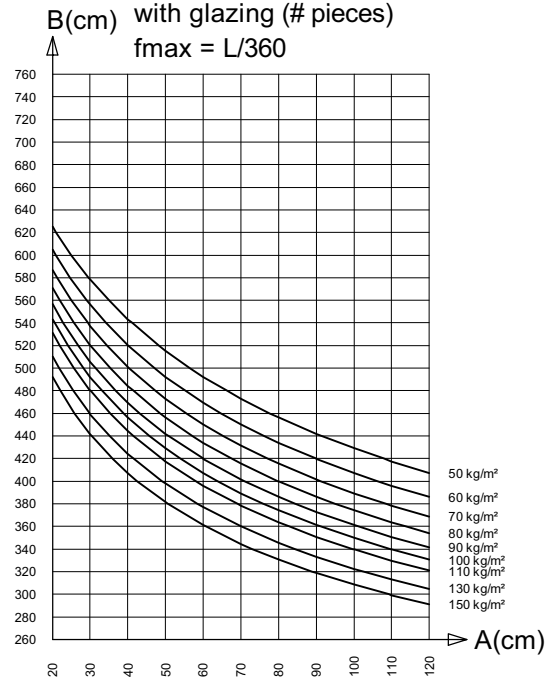
Exclusief Dakbedekking
Exclusive Roofing
Exclusif Couverture
Exklusiv Dakbedeckung



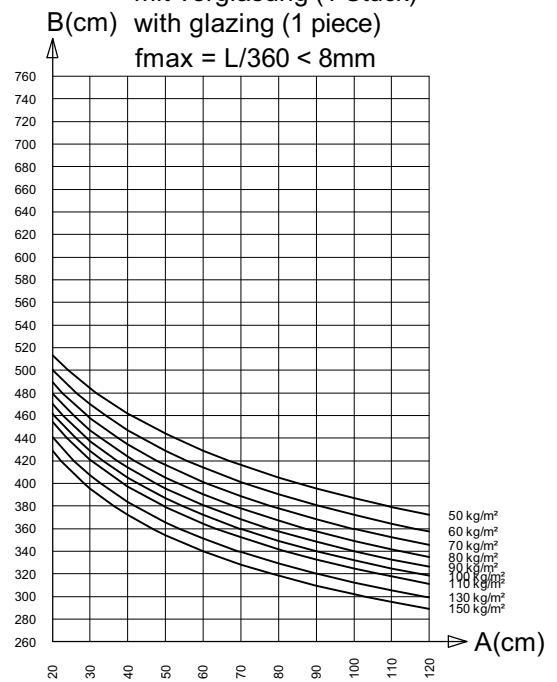
met polycarbonaat
avec polycarbonate
mit polycarbonat
with polycarbonate
f_{max} = L/200



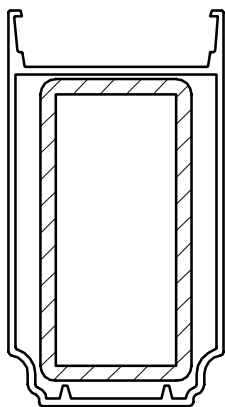
met glas (# stukken)
avec vitrage (# pièces)
mit verglasung (# Stücken)
with glazing (# pieces)
f_{max} = L/360



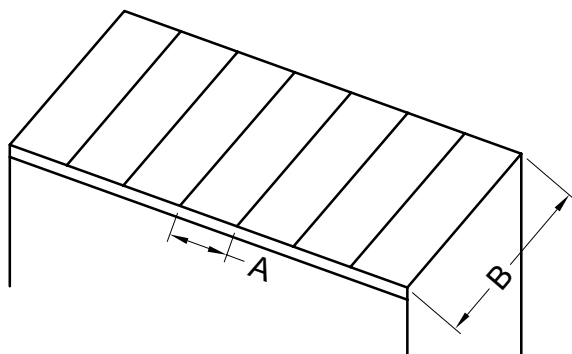
met glas (1 stuk)
avec vitrage (1 pièce)
mit verglasung (1 Stück)
with glazing (1 piece)
f_{max} = L/360 < 8mm



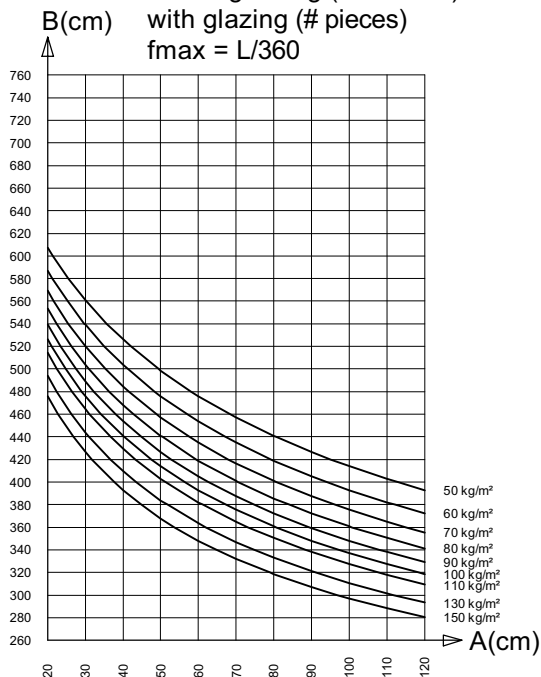
VR011V + VR062
I_{xx} = 287.2 cm⁴



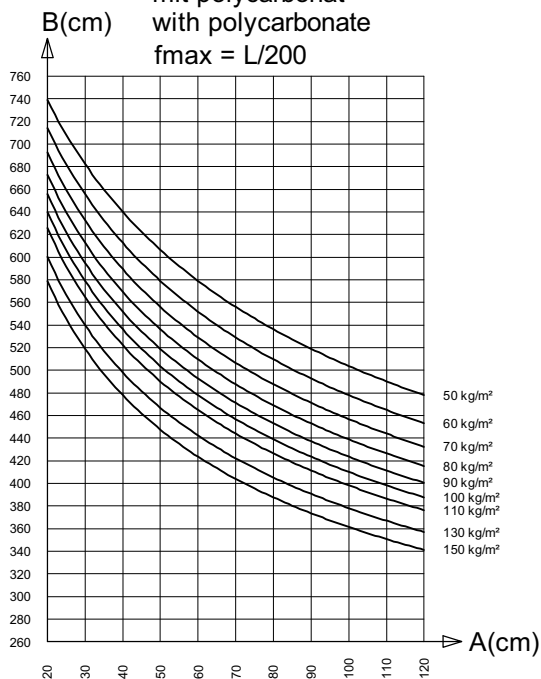
Exclusief Dakbedekking
Exclusive Roofing
Exclusif Couverture
Exklusiv Dakbedeckung



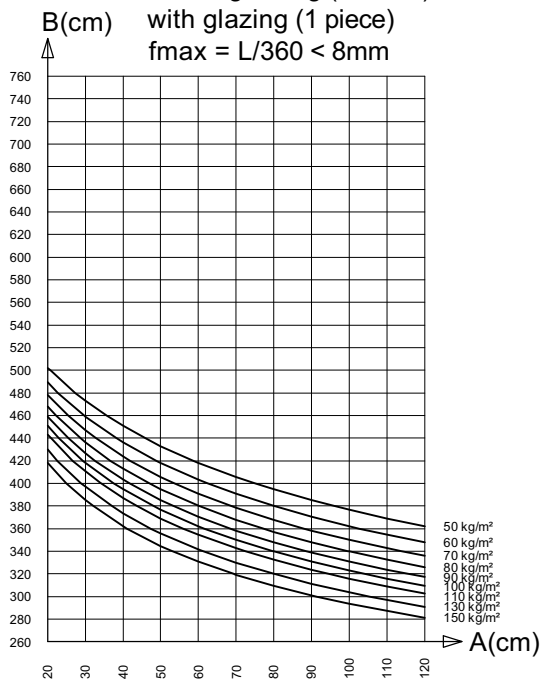
met glas (# stukken)
avec vitrage (# pièces)
mit verglasung (# Stücken)
with glazing (# pieces)
f_{max} = L/360



met polycarbonaat
avec polycarbonate
mit polycarbonat
with polycarbonate
f_{max} = L/200



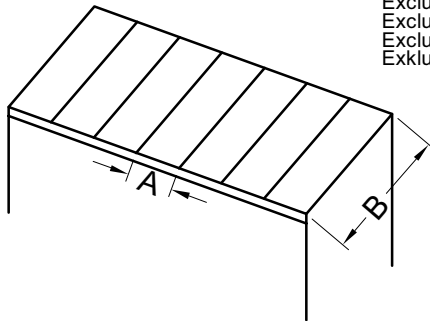
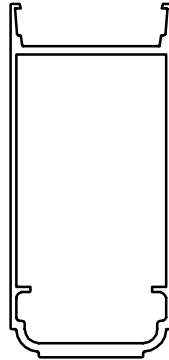
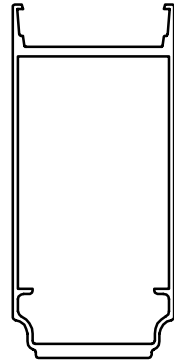
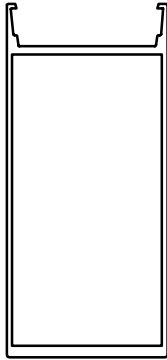
met glas (1 stuk)
avec vitrage (1 pièce)
mit verglasung (1 Stück)
with glazing (1 piece)
f_{max} = L/360 < 8mm



VR2011
lxx = 178.3 cm4

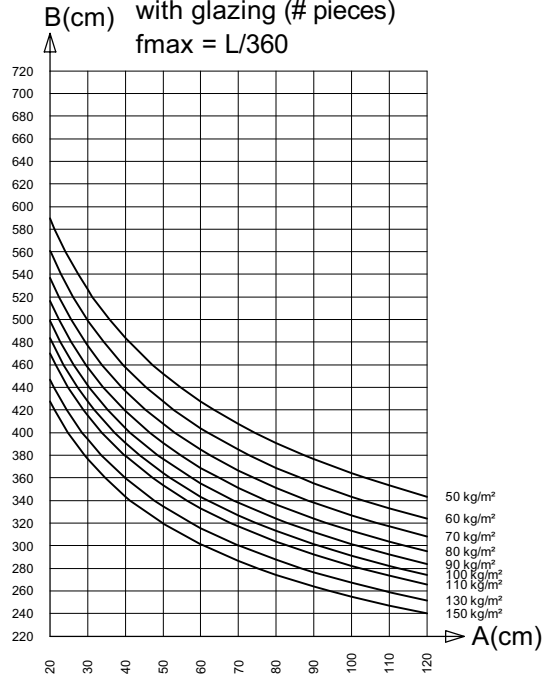
VR2011V
lxx = 176.2 cm4

VR2011B
lxx = 180.5 cm4

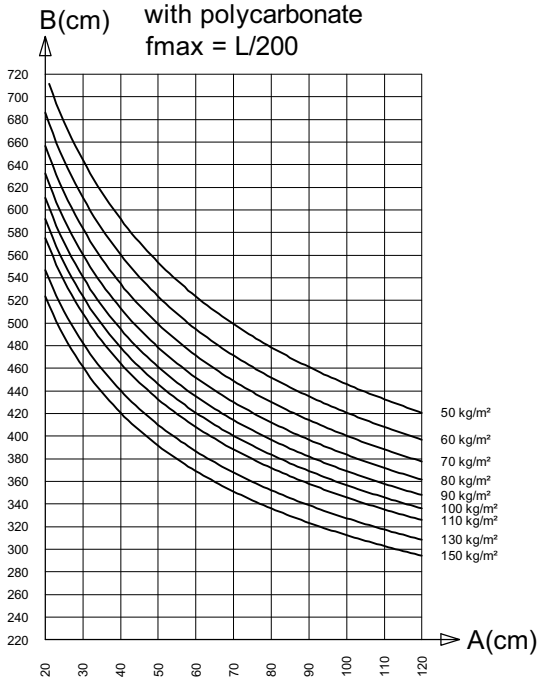


Exclusief Dakbedekking
Exclusive Roofing
Exclusif Couverture
Exklusiv Dakbedeckung

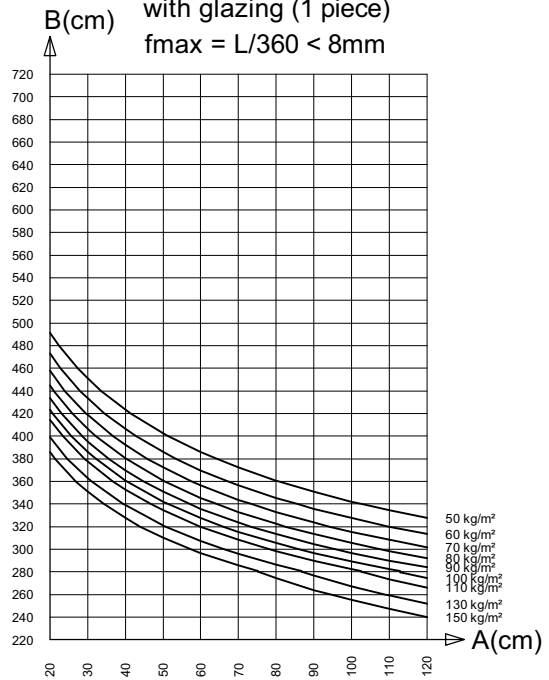
met glas (# stukken)
avec vitrage (# pièces)
mit verglasung (# Stücken)
with glazing (# pieces)
fmax = L/360



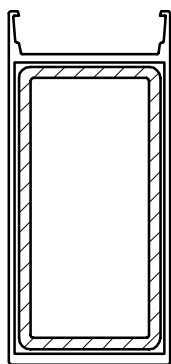
met polycarbonaat
avec polycarbonate
mit polycarbonat
with polycarbonate
fmax = L/200



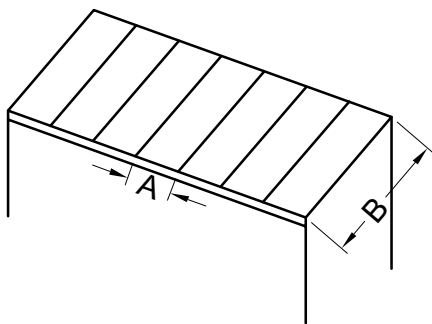
met glas (1 stuk)
avec vitrage (1 pièce)
mit verglasung (1 Stück)
with glazing (1 piece)
fmax = L/360 < 8mm



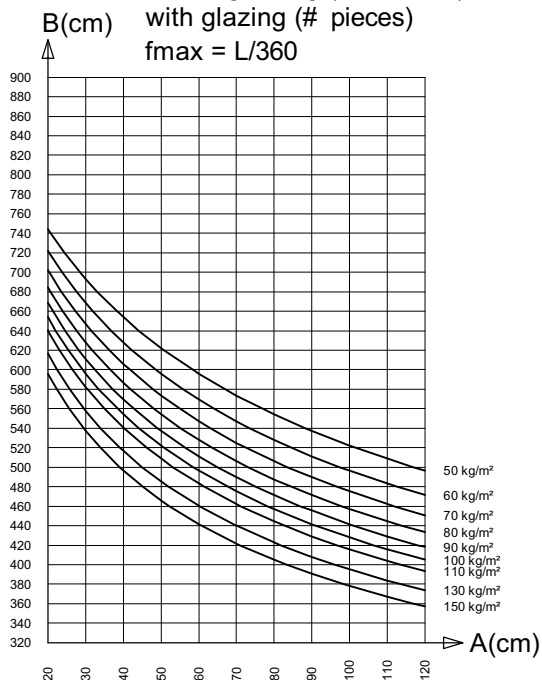
VR2011 + SR031
I_{xx} = 601.3 cm⁴



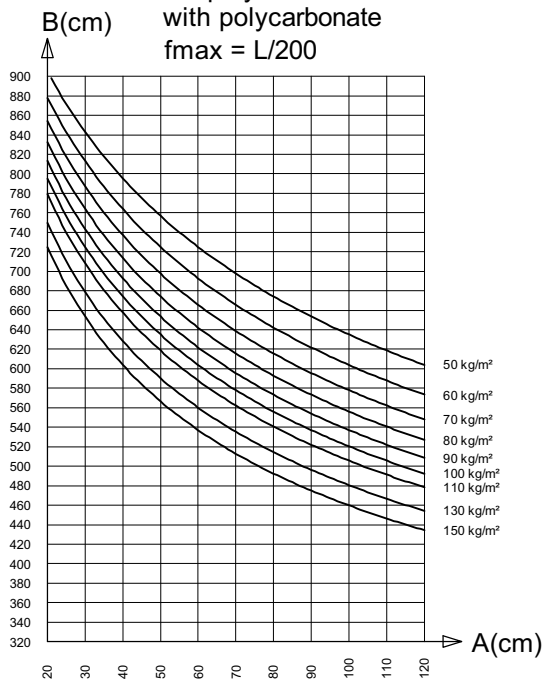
Exclusief Dakbedekking
Exclusive Roofing
Exclusif Couverture
Exklusiv Dakbedeckung



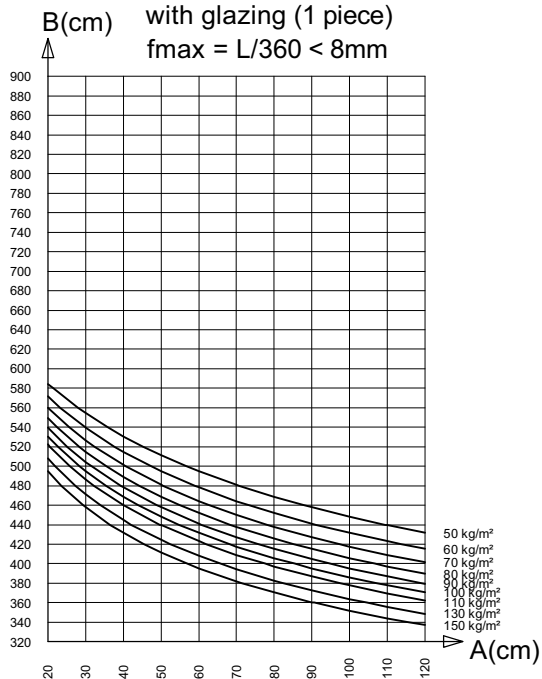
met glas (# stukken)
avec vitrage (# pièces)
mit verglasung (# Stücken)
with glazing (# pieces)
f_{max} = L/360



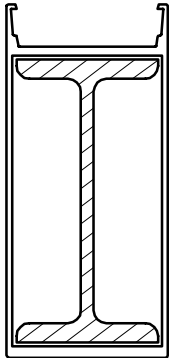
met polycarbonaat
avec polycarbonate
mit polycarbonat
with polycarbonate
f_{max} = L/200



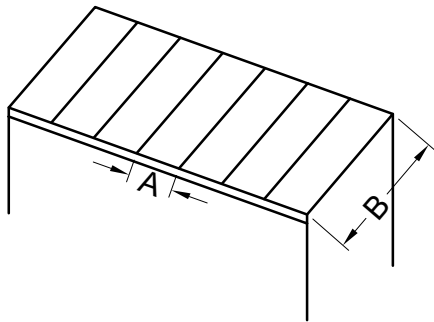
met glas (1 stuk)
avec vitrage (1 pièce)
mit verglasung (1 Stück)
with glazing (1 piece)
f_{max} = L/360 < 8mm



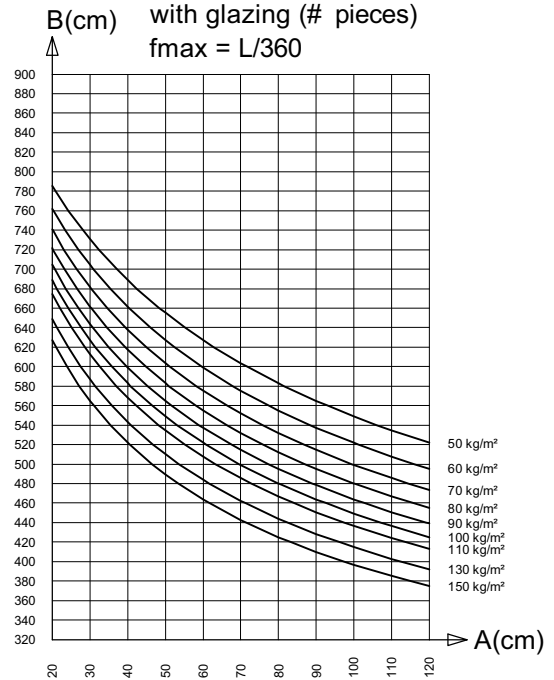
VR2011 + VR063
I_{xx} = 693.7 cm⁴



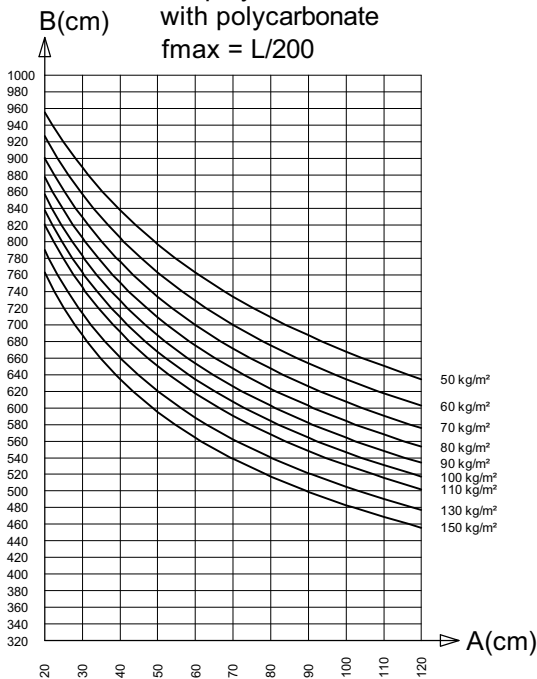
Exclusief Dakbedekking
Exclusive Roofing
Exclusif Couverture
Exklusiv Dakbedeckung



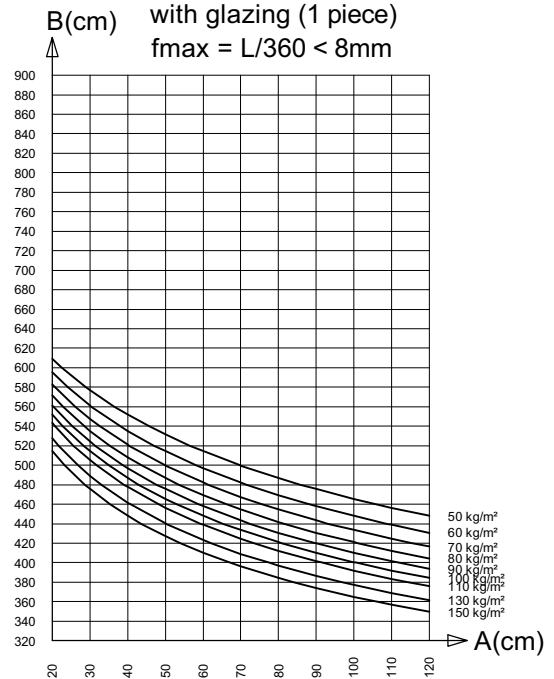
met glas (# stukken)
avec vitrage (# pièces)
mit verglasung (# Stück)
with glazing (# pieces)
f_{max} = L/360



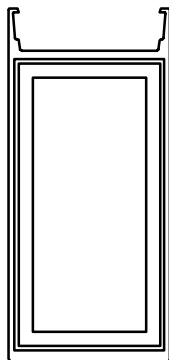
met polycarbonaat
avec polycarbonate
mit polycarbonat
with polycarbonate
f_{max} = L/200



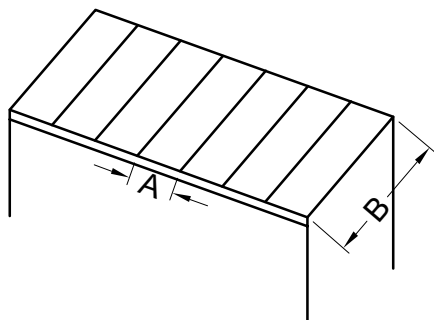
met glas (1 stuk)
avec vitrage (1 pièce)
mit verglasung (1 Stück)
with glazing (1 piece)
f_{max} = L/360 < 8mm



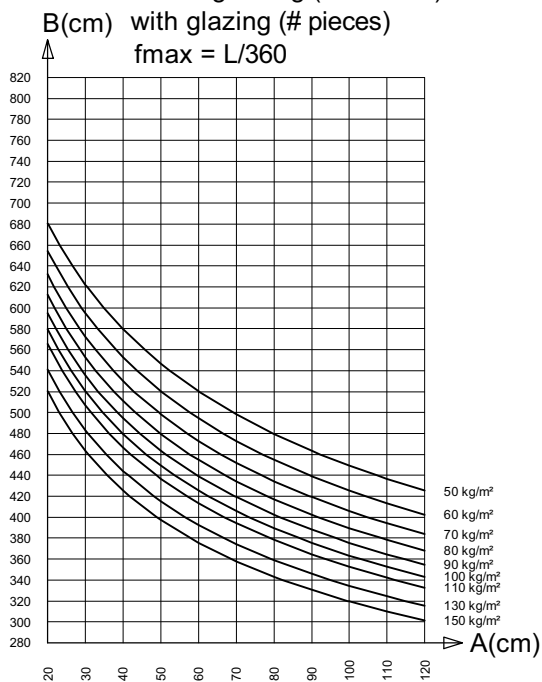
VR2011 + VR2060
lxx = 351.8 cm4



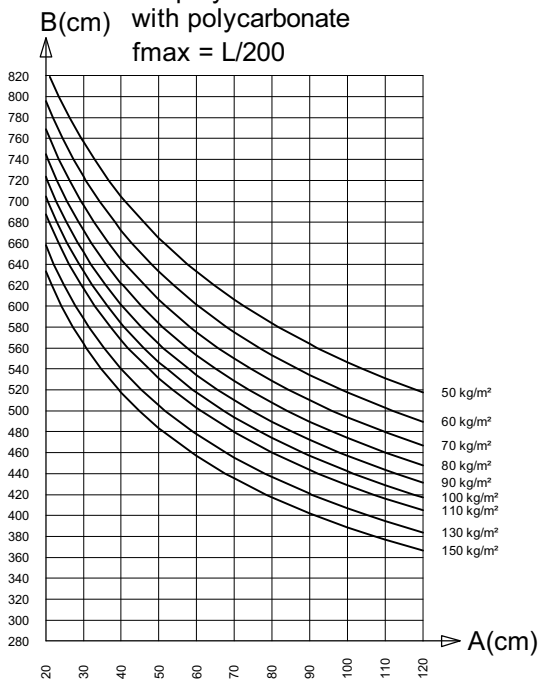
Exclusief Dakbedekking
Exclusive Roofing
Exclusif Couverture
Exklusiv Dakbedeckung



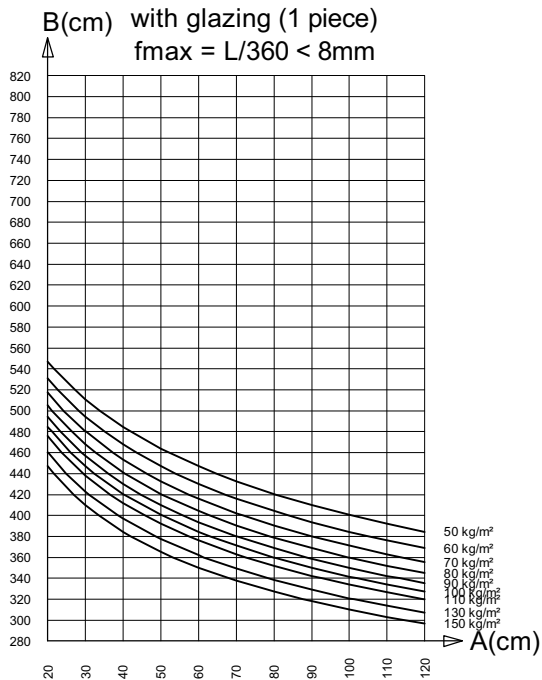
met glas (# stukken)
avec vitrage (# pièces)
mit verglasung (# Stücken)
with glazing (# pieces)
fmax = L/360



met polycarbonaat
avec polycarbonate
mit polycarbonat
with polycarbonate
fmax = L/200

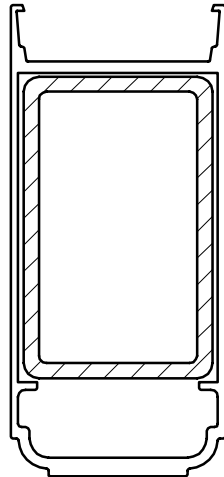


met glas (1 stuk)
avec vitrage (1 pièce)
mit verglasung (1 Stück)
with glazing (1 piece)
fmax = L/360 < 8mm

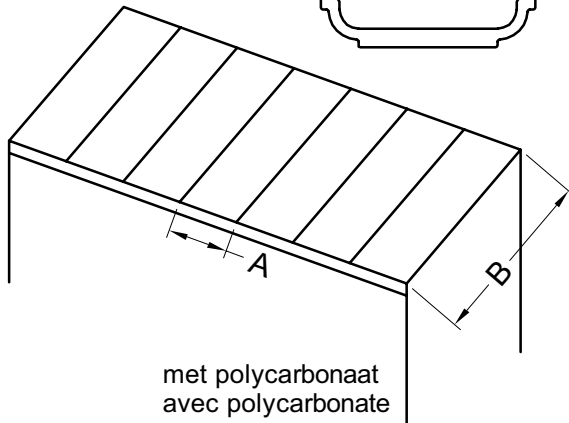


STATICA - STATIQUE - STATIK - STATICS

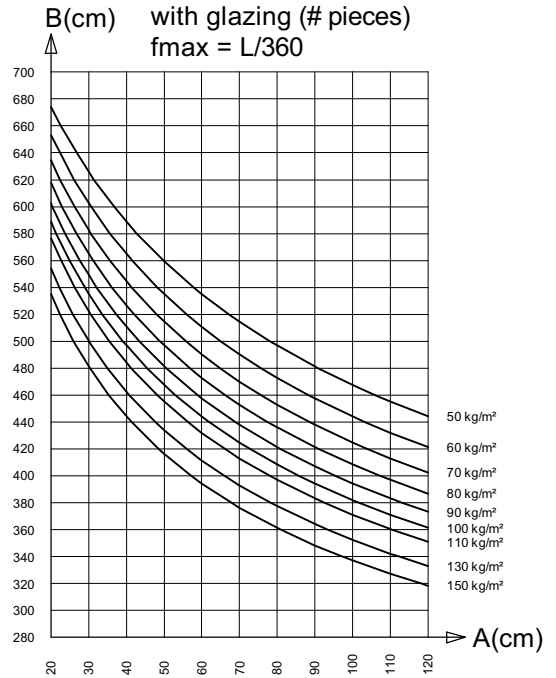
VR2011B + VR061
l_{xx} = 423.6 cm4



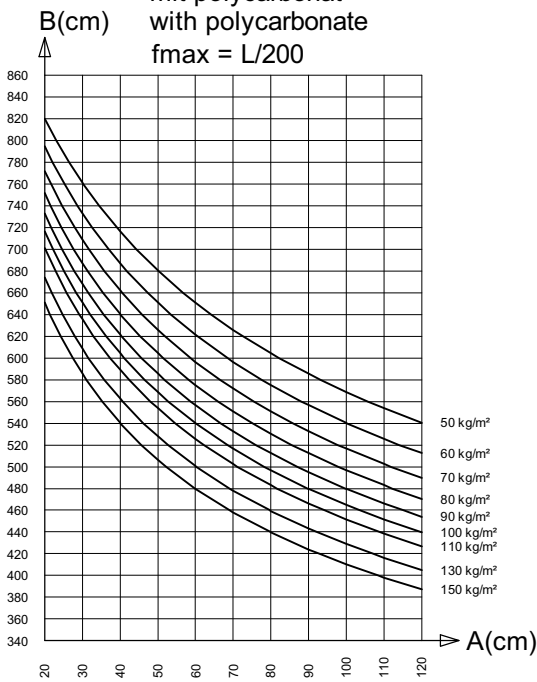
Exclusief Dakbedekking
Exclusive Roofing
Exclusif Couverture
Exklusiv Dakbedeckung



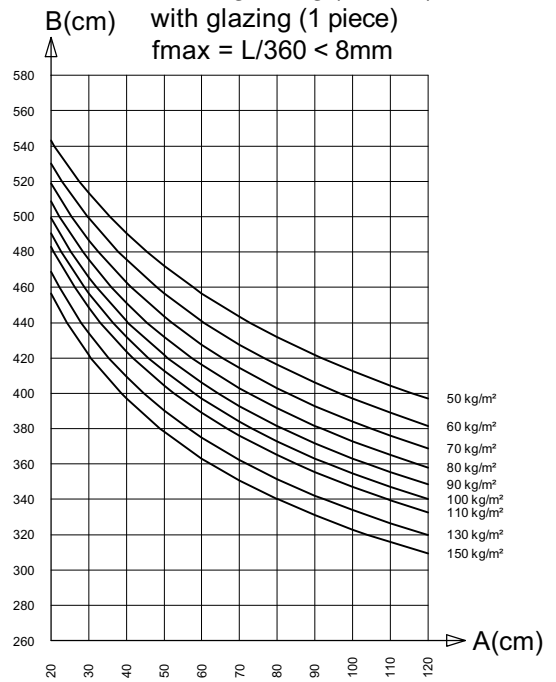
met glas (# stukken)
avec vitrage (# pièces)
mit verglasung (# Stücken)
with glazing (# pieces)
f_{max} = L/360



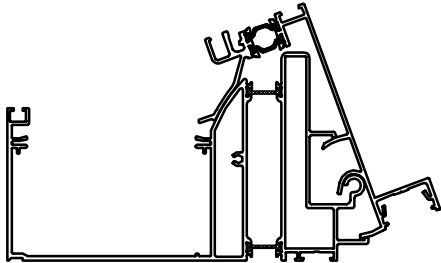
met polycarbonaat
avec polycarbonate
mit polycarbonat
with polycarbonate
f_{max} = L/200



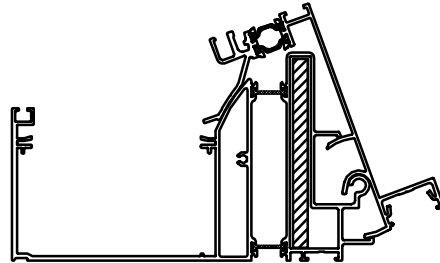
met glas (1 stuk)
avec vitrage (1 pièce)
mit verglasung (1 Stück)
with glazing (1 piece)
f_{max} = L/360 < 8mm



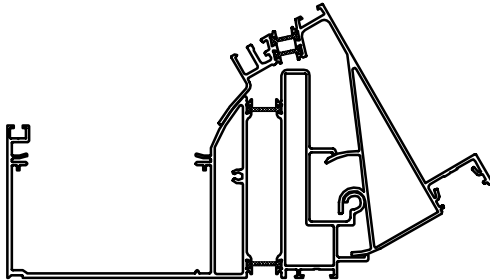
- ① VR2016 + VR2021 VR2017 + VR2021
I_{xx} = 186.5 cm⁴ I_{xx} = 188.4 cm⁴



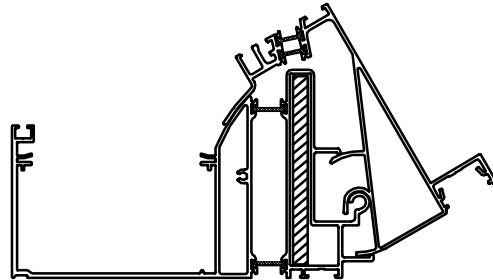
- ⑤ VR2016 + VR2021 + VR2122 VR2017 + VR2021 + VR2122
I_{xx} = 386.5 cm⁴ I_{xx} = 388.4 cm⁴



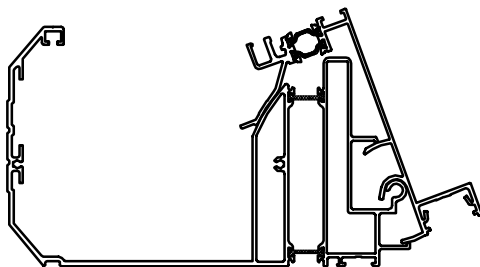
- ② VR2116 + VR2021 VR2117 + VR2021
I_{xx} = 210.9 cm⁴ I_{xx} = 213.7 cm⁴



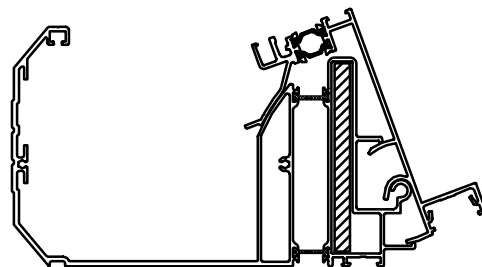
- ⑥ VR2116 + VR2021 + VR2122 VR2117 + VR2021 + VR2122
I_{xx} = 410.9 cm⁴ I_{xx} = 413.7 cm⁴



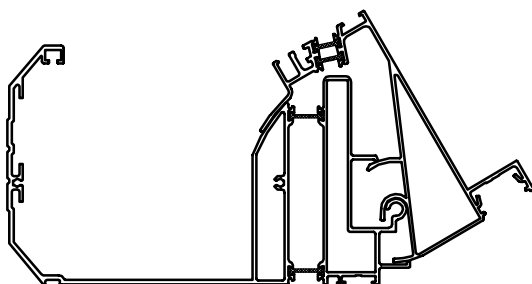
- ③ VR2016 + VR2121 VR2017 + VR2121
I_{xx} = 268.9 cm⁴ I_{xx} = 270.7 cm⁴



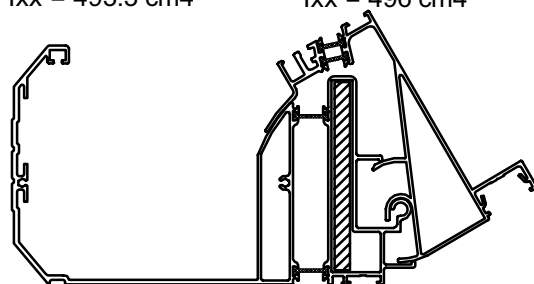
- ⑦ VR2016 + VR2121 + VR2122 VR2017 + VR2121 + VR2122
I_{xx} = 468.9 cm⁴ I_{xx} = 470.7 cm⁴



- ④ VR2116 + VR2121 VR2117 + VR2121
I_{xx} = 293.3 cm⁴ I_{xx} = 296 cm⁴



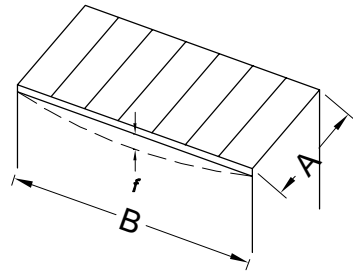
- ⑧ VR2116 + VR2121 + VR2122 VR2117 + VR2121 + VR2122
I_{xx} = 493.3 cm⁴ I_{xx} = 496 cm⁴



voorblad

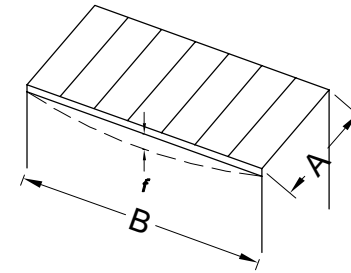
ZIE OVERZICHT BLZ 124
VOIR RESUME PAGE 124
SEHEN UBERSICHT SEITE 124
SEE OVERVIEW PAGE 124

STATICA - STATIQUE - STATIK - STATICS



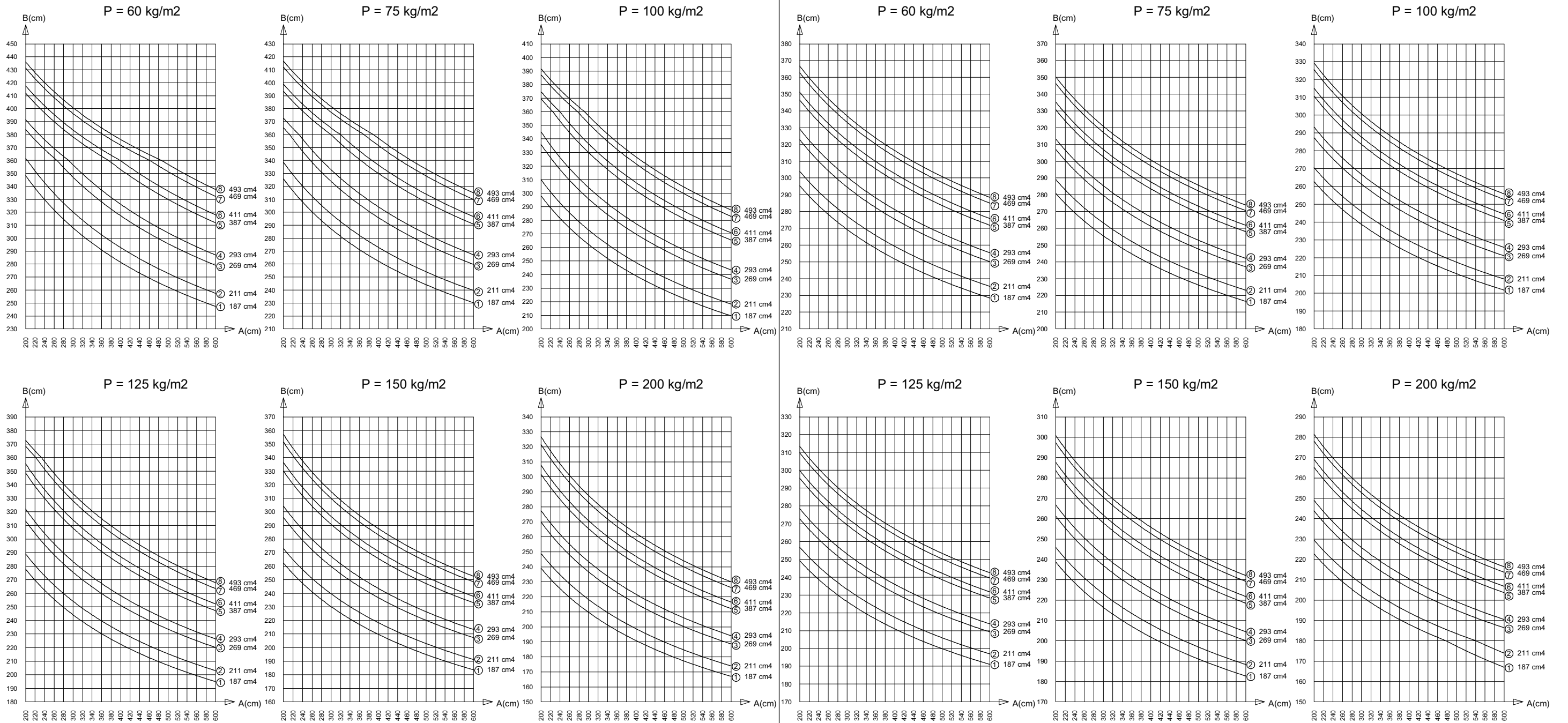
$f_{max} = 10 \text{ mm}$
 $f_{max} = L/360$
 $P = P_v + P_s$

$P_v =$ glasgewicht
poids de vitrage
glassgewicht
glazing weight
 $P_s =$ sneeuwlast
charge de neige
Schneelast
snowweight



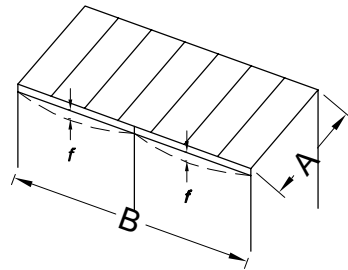
$f_{max} = 5 \text{ mm}$
 $f_{max} = L/360$
 $P = P_v + P_s$

$P_v =$ glasgewicht
poids de vitrage
glassgewicht
glazing weight
 $P_s =$ sneeuwlast
charge de neige
Schneelast
snowweight



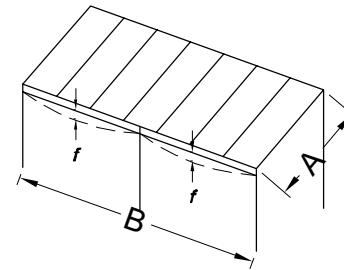
ZIE OVERZICHT BLZ 124
VOIR RESUME PAGE 124
SEHEN UBERSICHT SEITE 124
SEE OVERVIEW PAGE 124

STATICA - STATIQUE - STATIK - STATICS



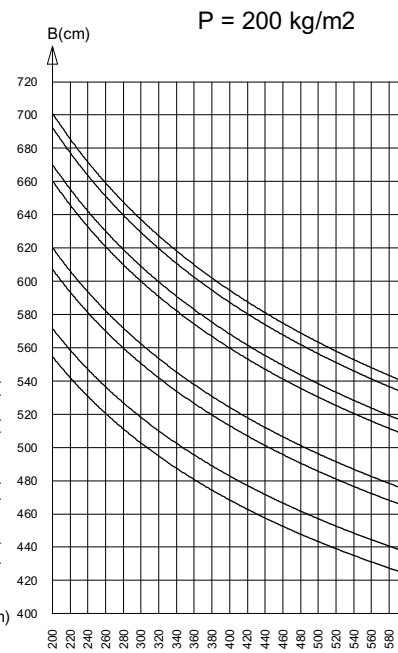
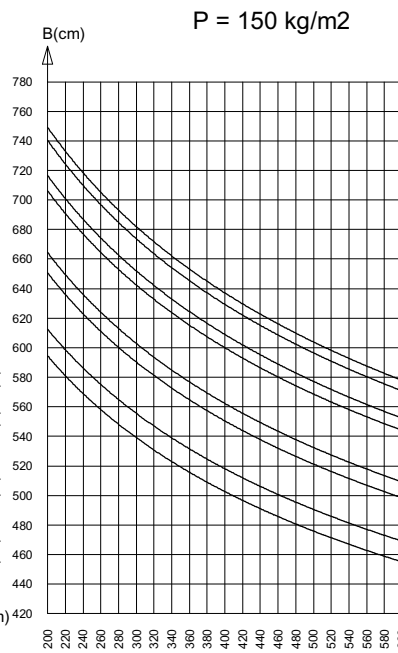
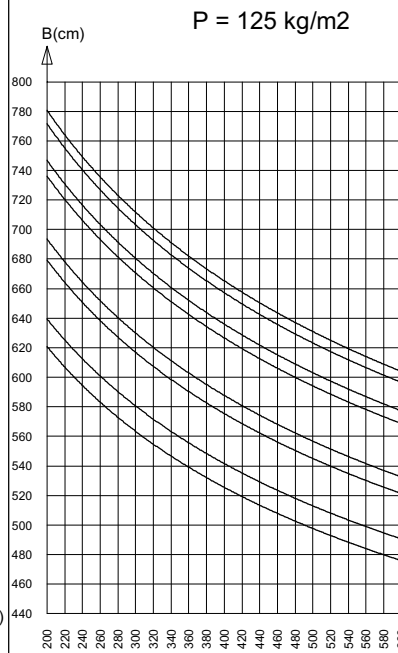
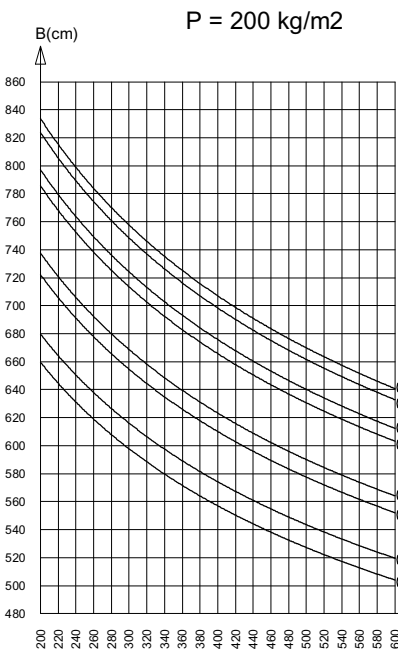
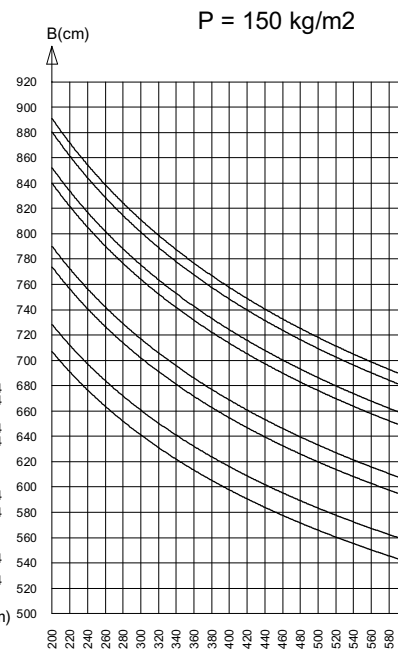
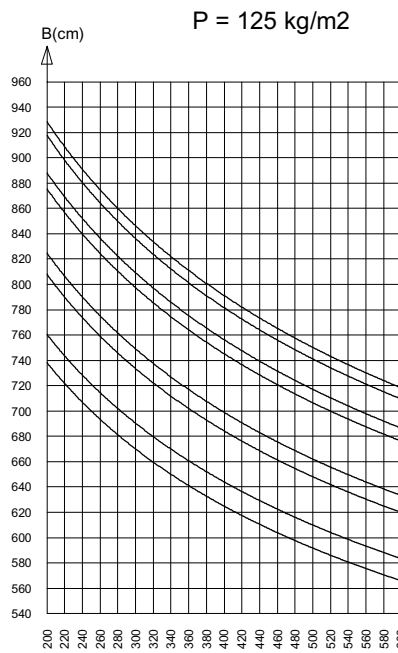
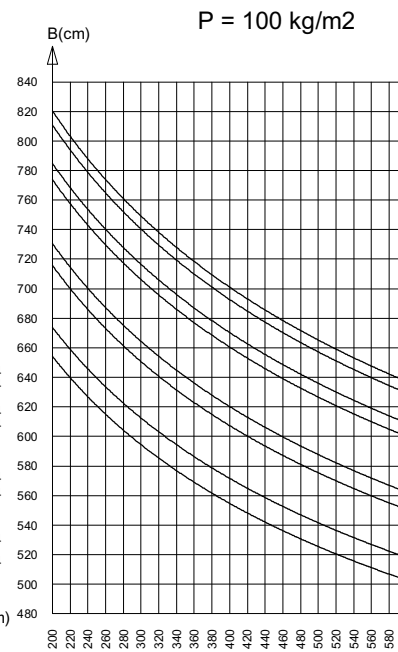
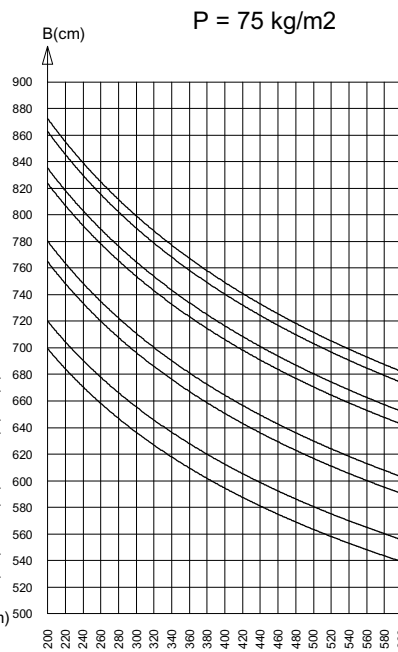
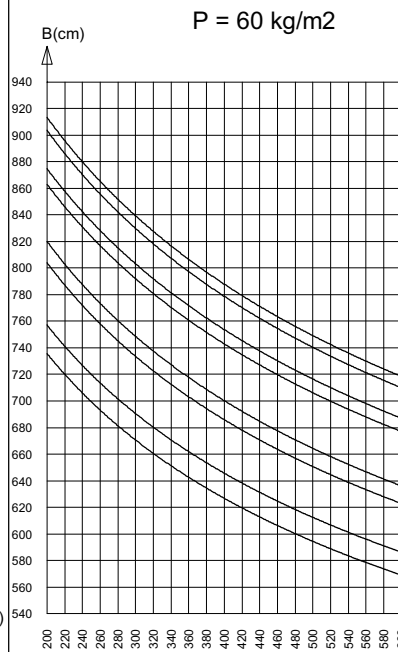
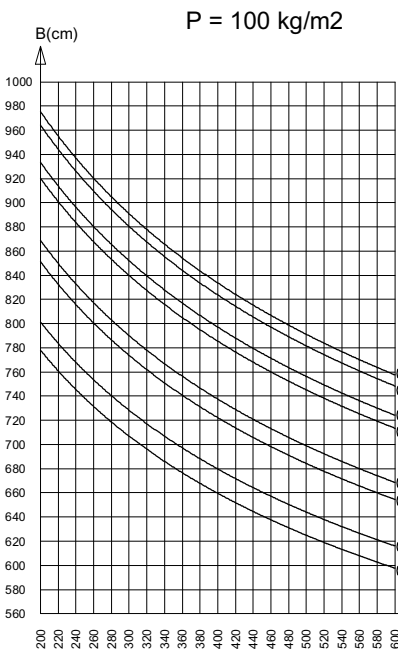
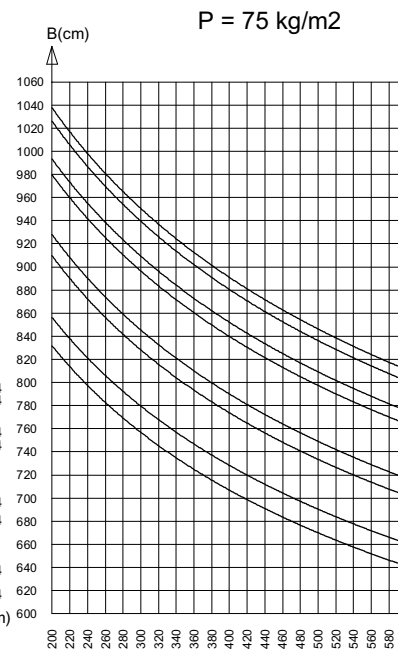
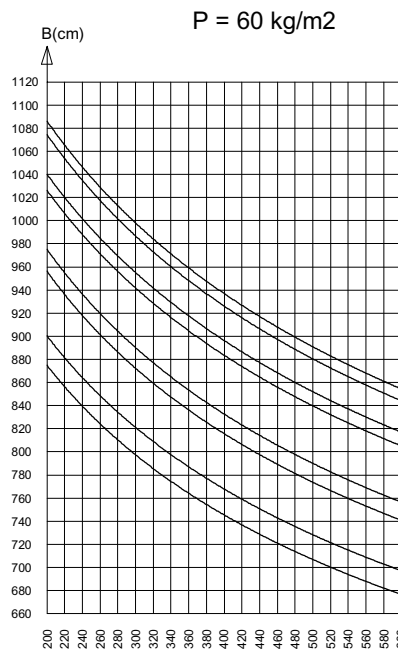
$f_{max} = 10 \text{ mm}$
 $f_{max} = L/360$
 $P = P_v + P_s$

$P_v =$ glasgewicht
poids de vitrage
glassgewicht
glazing weight
 $P_s =$ sneeuwlast
charge de neige
Schneelast
snowweight



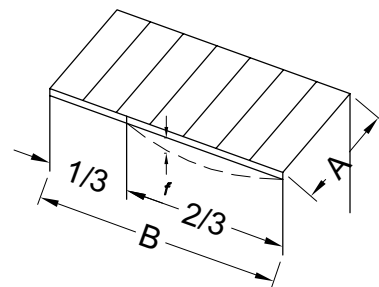
$f_{max} = 5 \text{ mm}$
 $f_{max} = L/360$
 $P = P_v + P_s$

$P_v =$ glasgewicht
poids de vitrage
glassgewicht
glazing weight
 $P_s =$ sneeuwlast
charge de neige
Schneelast
snowweight



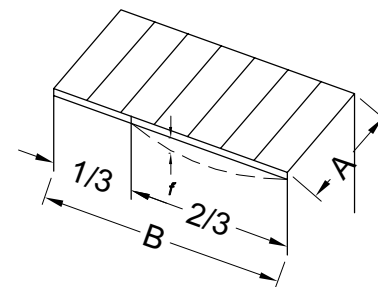
ZIE OVERZICHT BLZ 124
VOIR RESUME PAGE 124
SEHEN UBERSICHT SEITE 124
SEE OVERVIEW PAGE 124

STATICA - STATIQUE - STATIK - STATICS



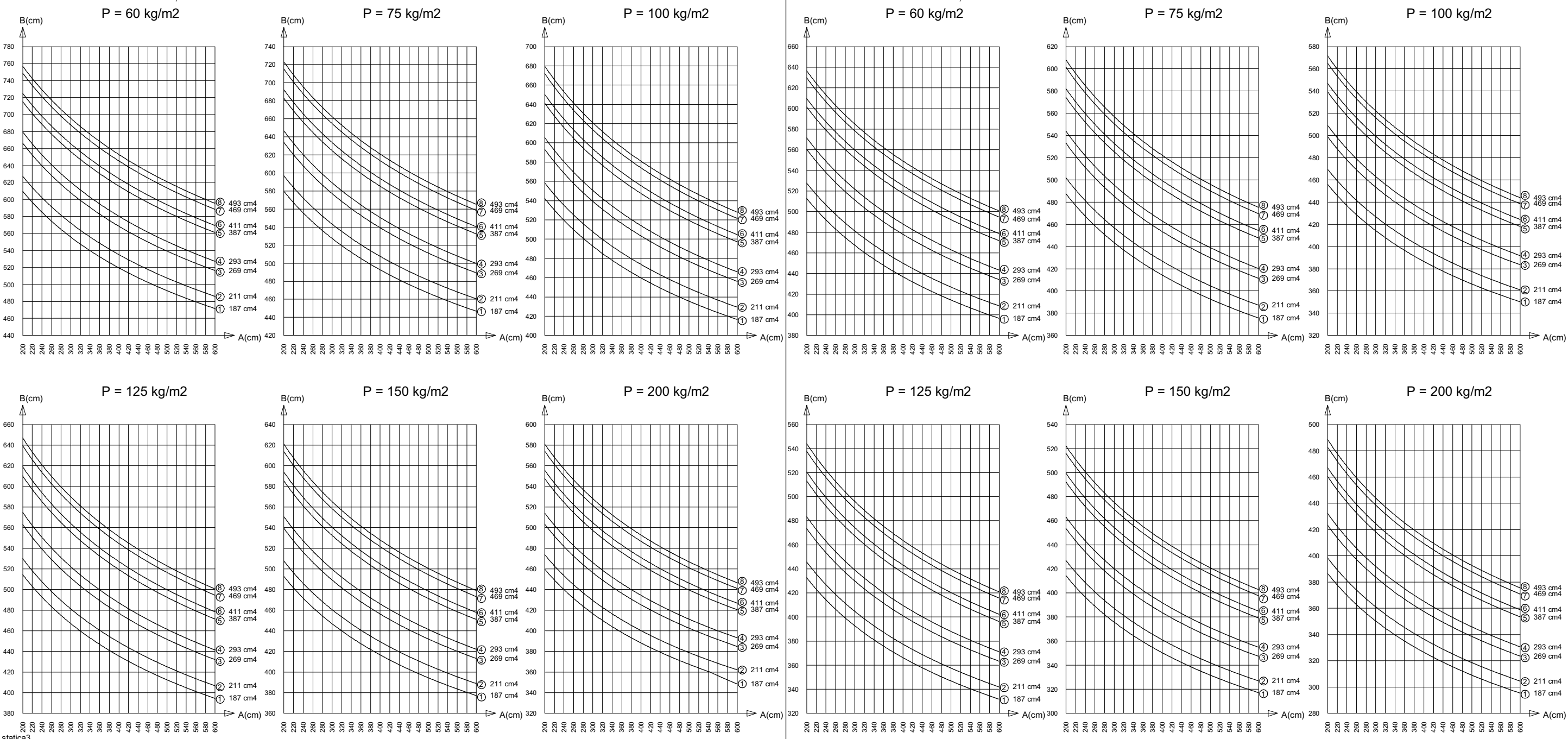
$f_{max} = 10 \text{ mm}$
 $f_{max} = L/360$
 $P = P_v + P_s$

$P_v =$ glasgewicht
poids de vitrage
glassgewicht
glazing weight
 $P_s =$ sneeuwlast
charge de neige
Schneelast
snowweight



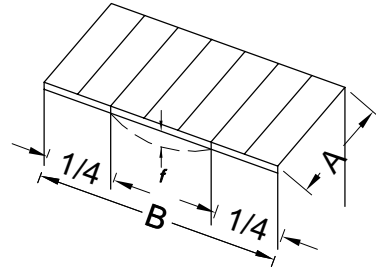
$f_{max} = 5 \text{ mm}$
 $f_{max} = L/360$
 $P = P_v + P_s$

$P_v =$ glasgewicht
poids de vitrage
glassgewicht
glazing weight
 $P_s =$ sneeuwlast
charge de neige
Schneelast
snowweight



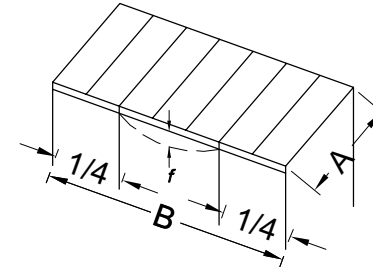
ZIE OVERZICHT BLZ 124
VOIR RESUME PAGE 124
SEHEN UBERSICHT SEITE 124
SEE OVERVIEW PAGE 124

STATICA - STATIQUE - STATIK - STATICS



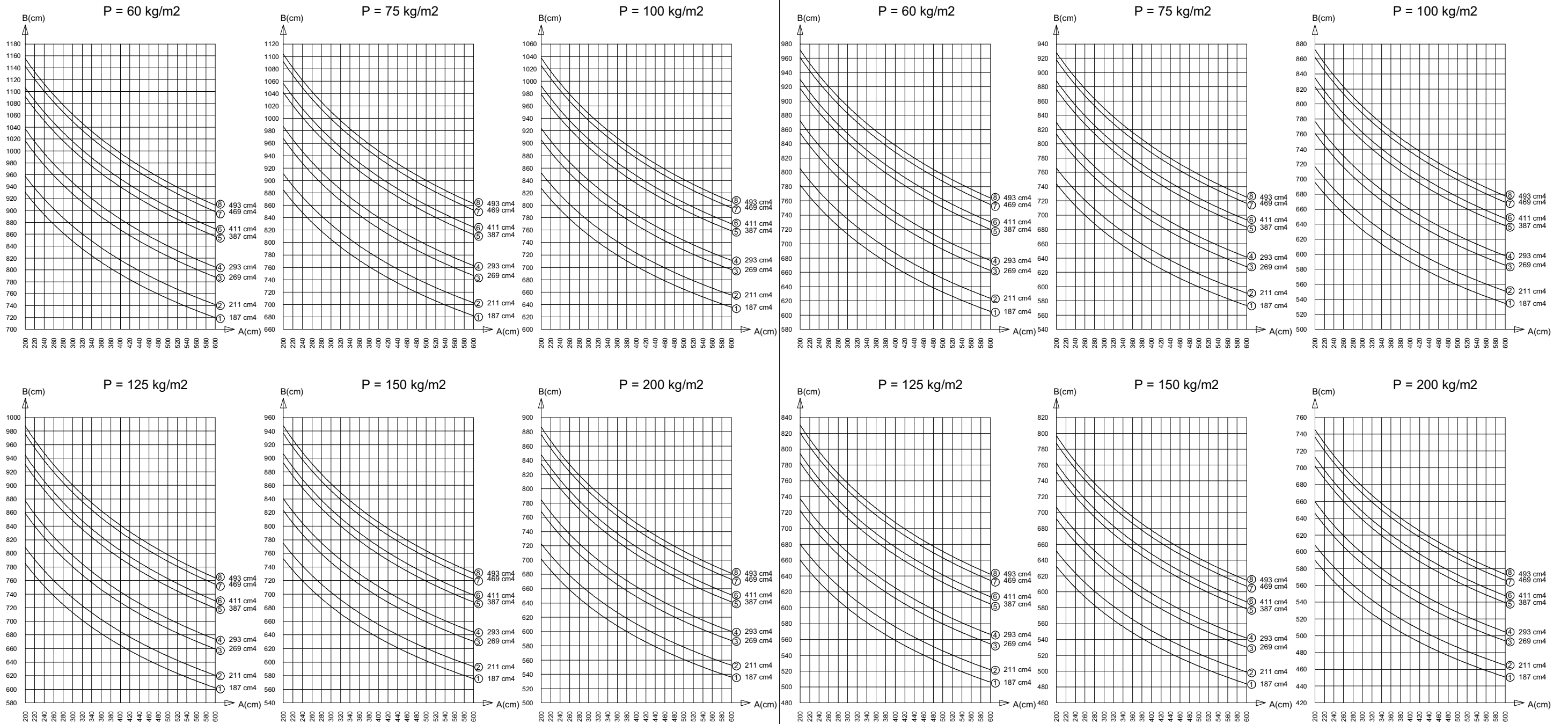
$f_{max} = 10 \text{ mm}$
 $f_{max} = L/360$
 $P = P_v + P_s$

$P_v =$ glasgewicht
poids de vitrage
glassgewicht
glazing weight
 $P_s =$ sneeuwlast
charge de neige
Schneelast
snowweight



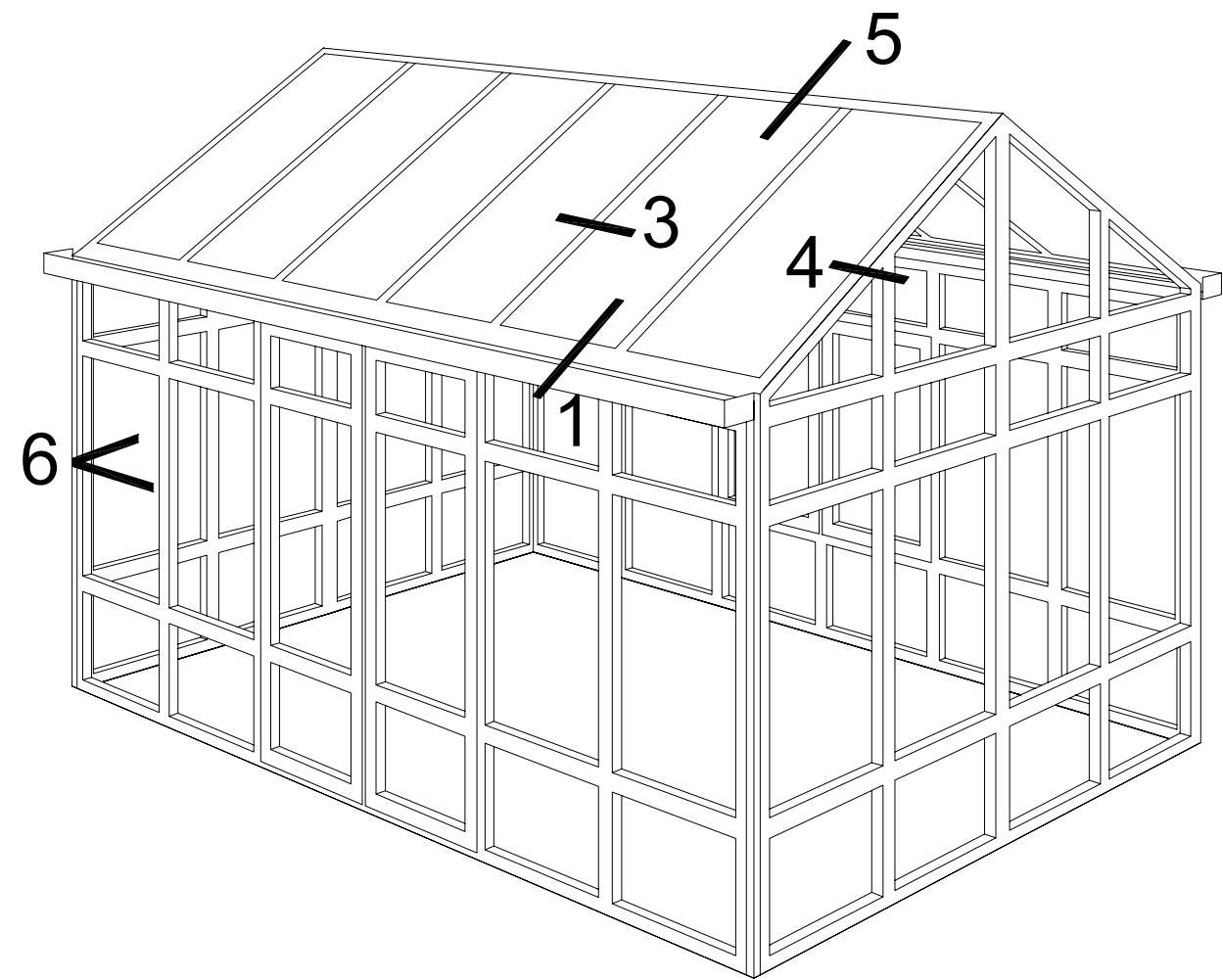
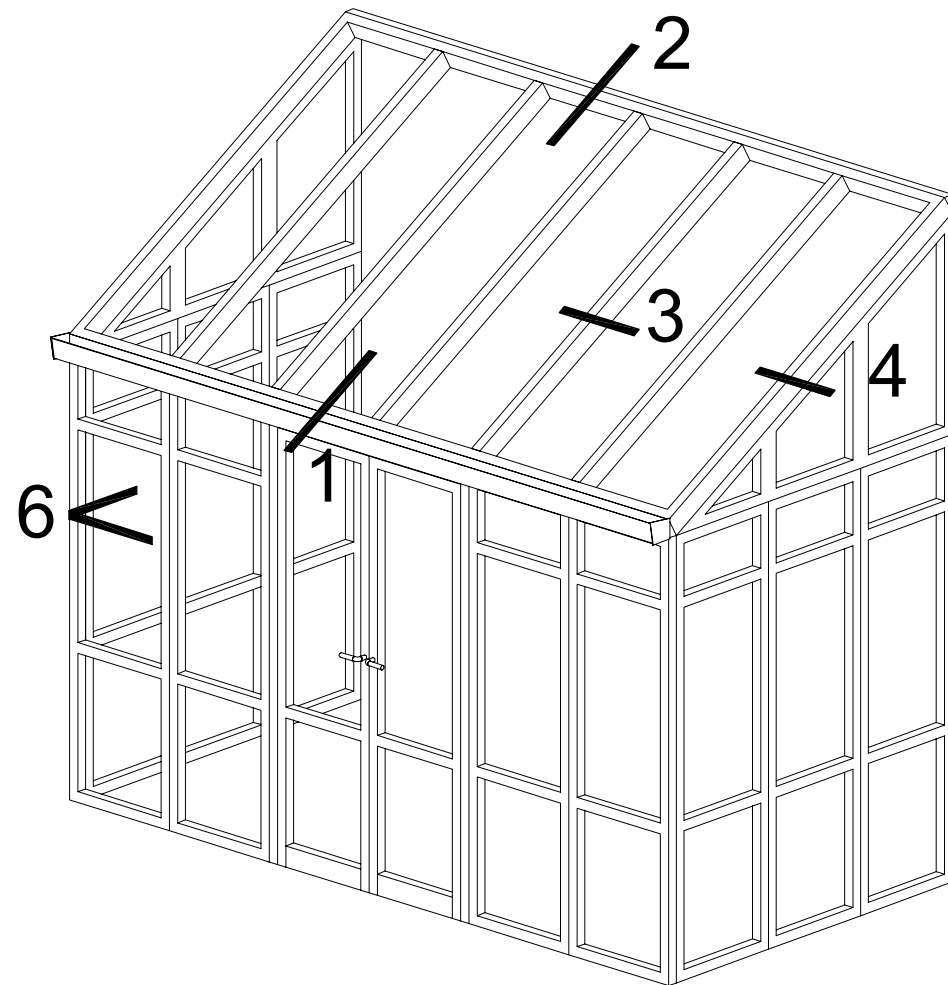
$f_{max} = 5 \text{ mm}$
 $f_{max} = L/360$
 $P = P_v + P_s$

$P_v =$ glasgewicht
poids de vitrage
glassgewicht
glazing weight
 $P_s =$ sneeuwlast
charge de neige
Schneelast
snowweight



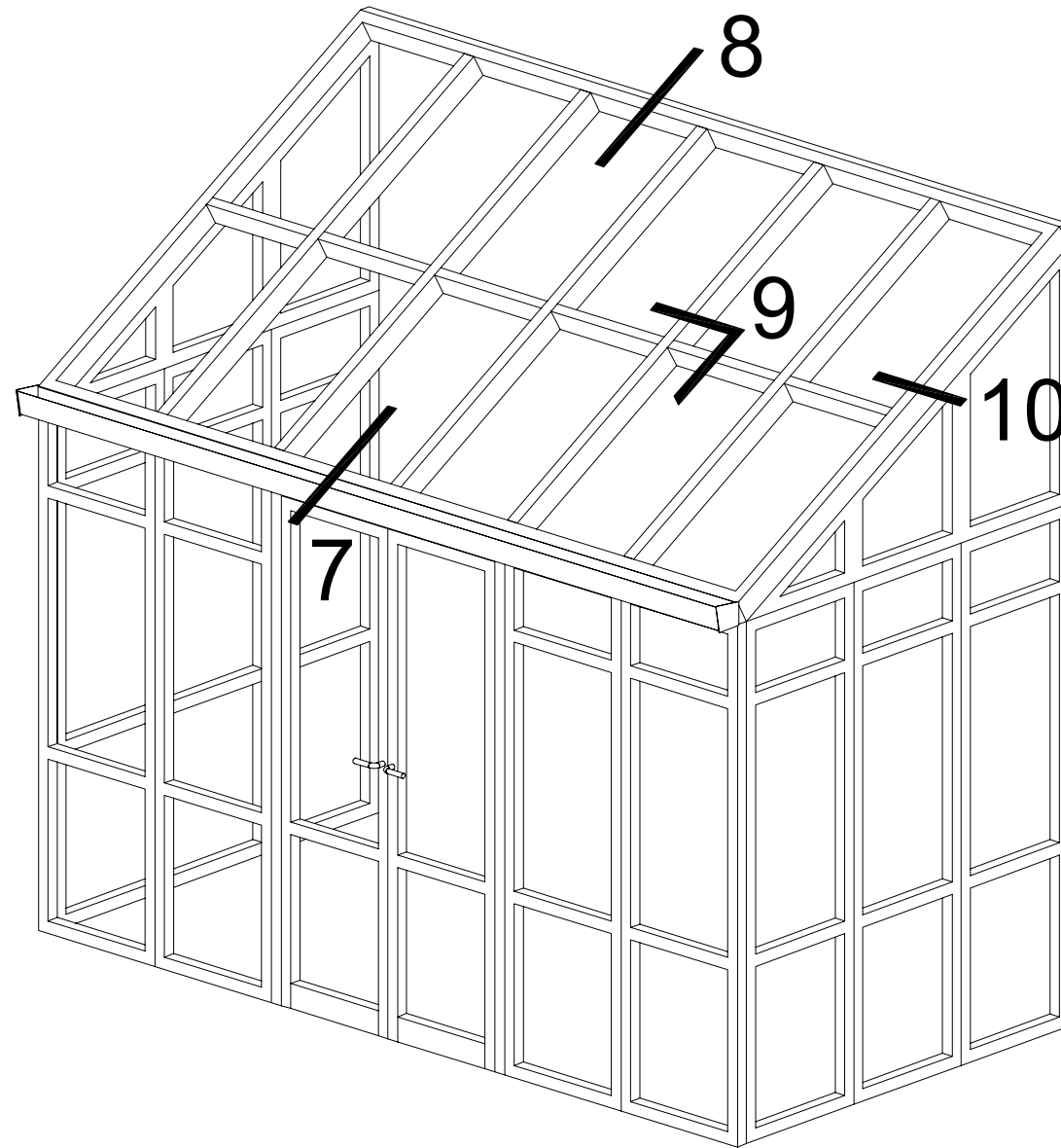
VERANDA MET GLAS/POLYCARBONAAT
VERANDA AVEC VERRE/POLYCARBONATE
WINTERGARTEN MIT GLAS/POLYCARBONAT
CONSERVATORY WITH GLAS/POLYCARBONATE

DOORSNEDE - COUPE - SCHNITT - SECTION



VERANDA MET GLAS/POLYCARBONAAT
VERANDA AVEC VERRE/POLYCARBONATE
WINTERGARTEN MIT GLAS/POLYCARBONAT
CONSERVATORY WITH GLAS/POLYCARBONATE

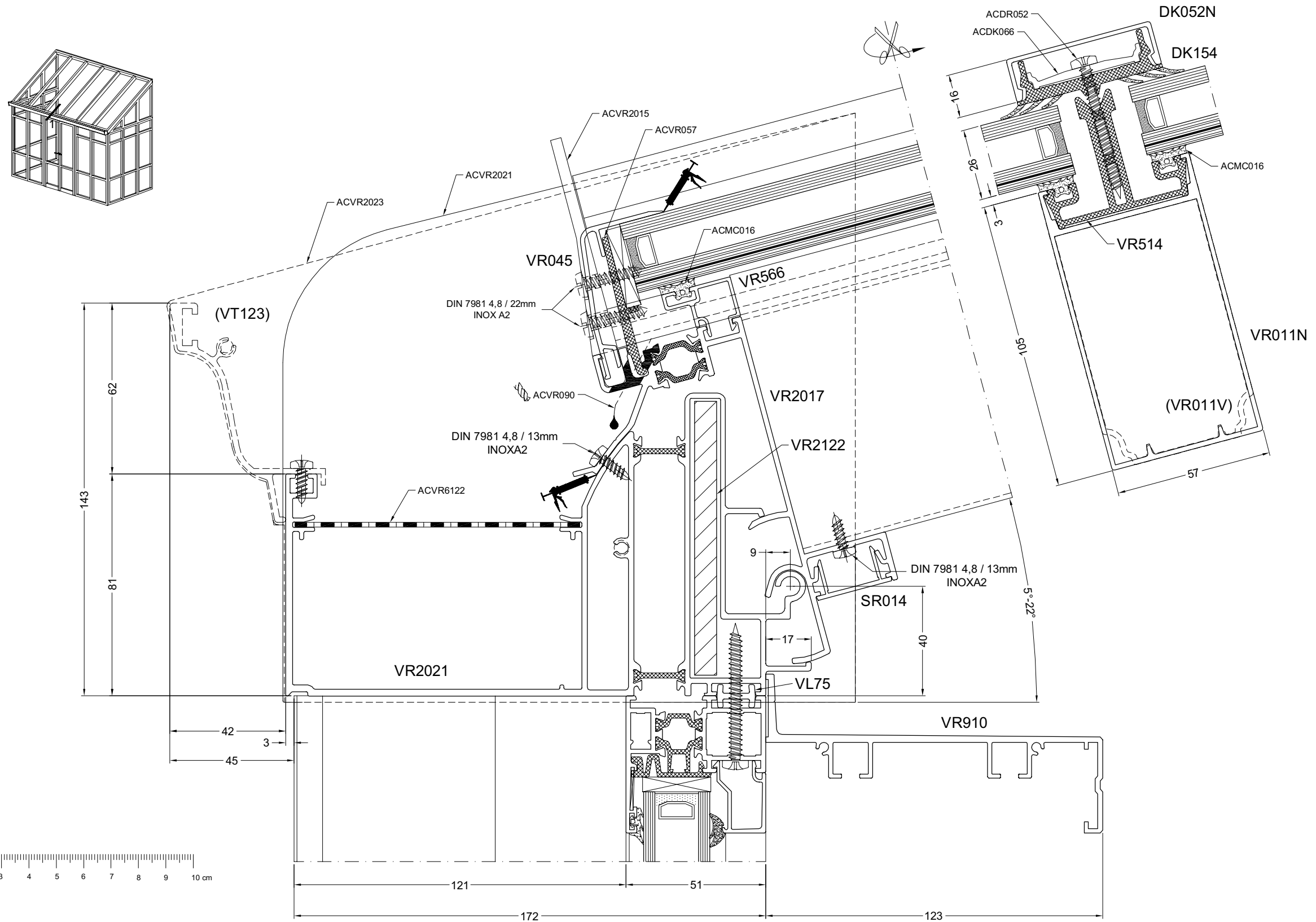
DOORSNEDE - COUPE - SCHNITT - SECTION



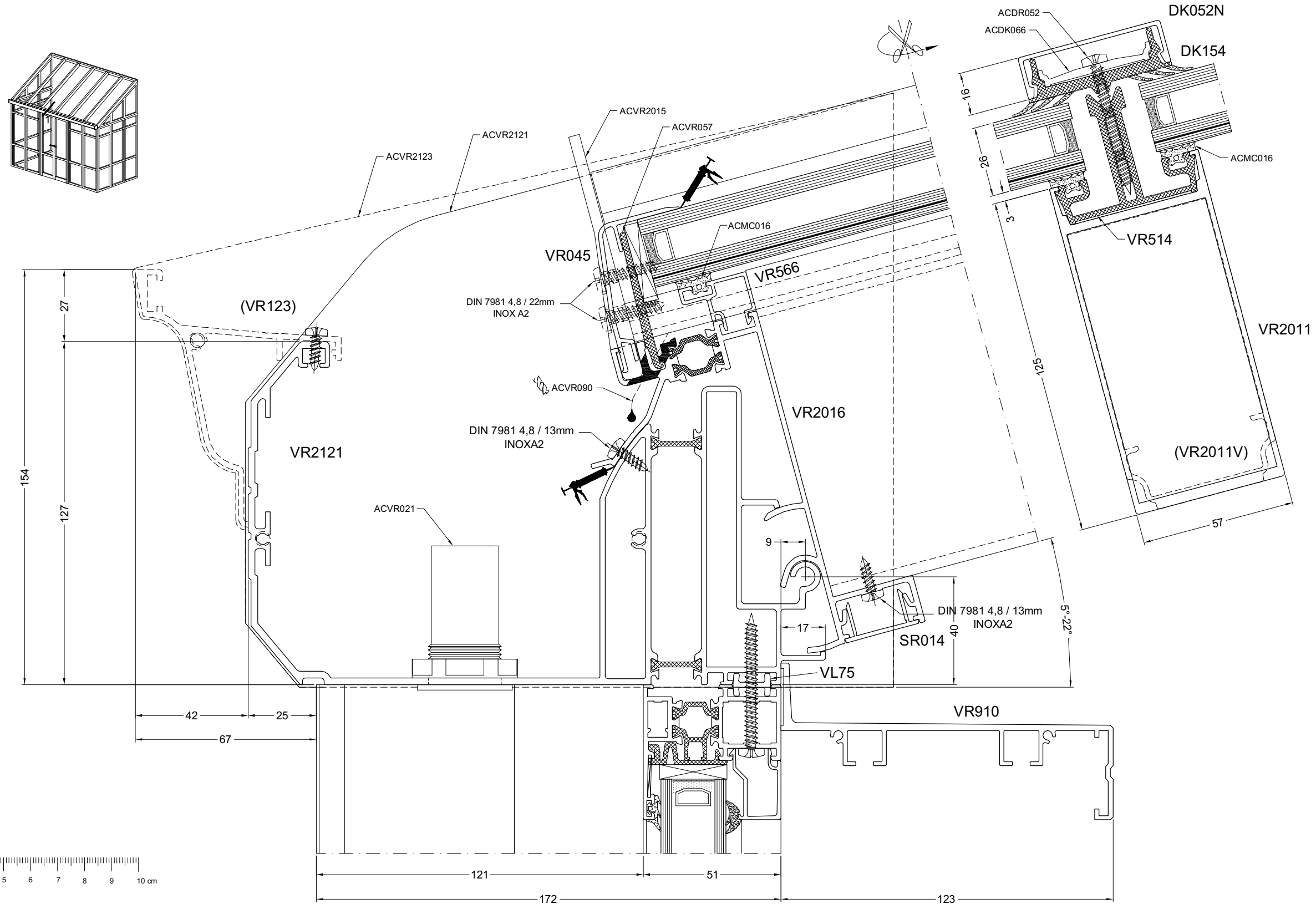
1A

5°-22°

DOORSNEDE - COUPE - SCHNITT - SECTION



door1a

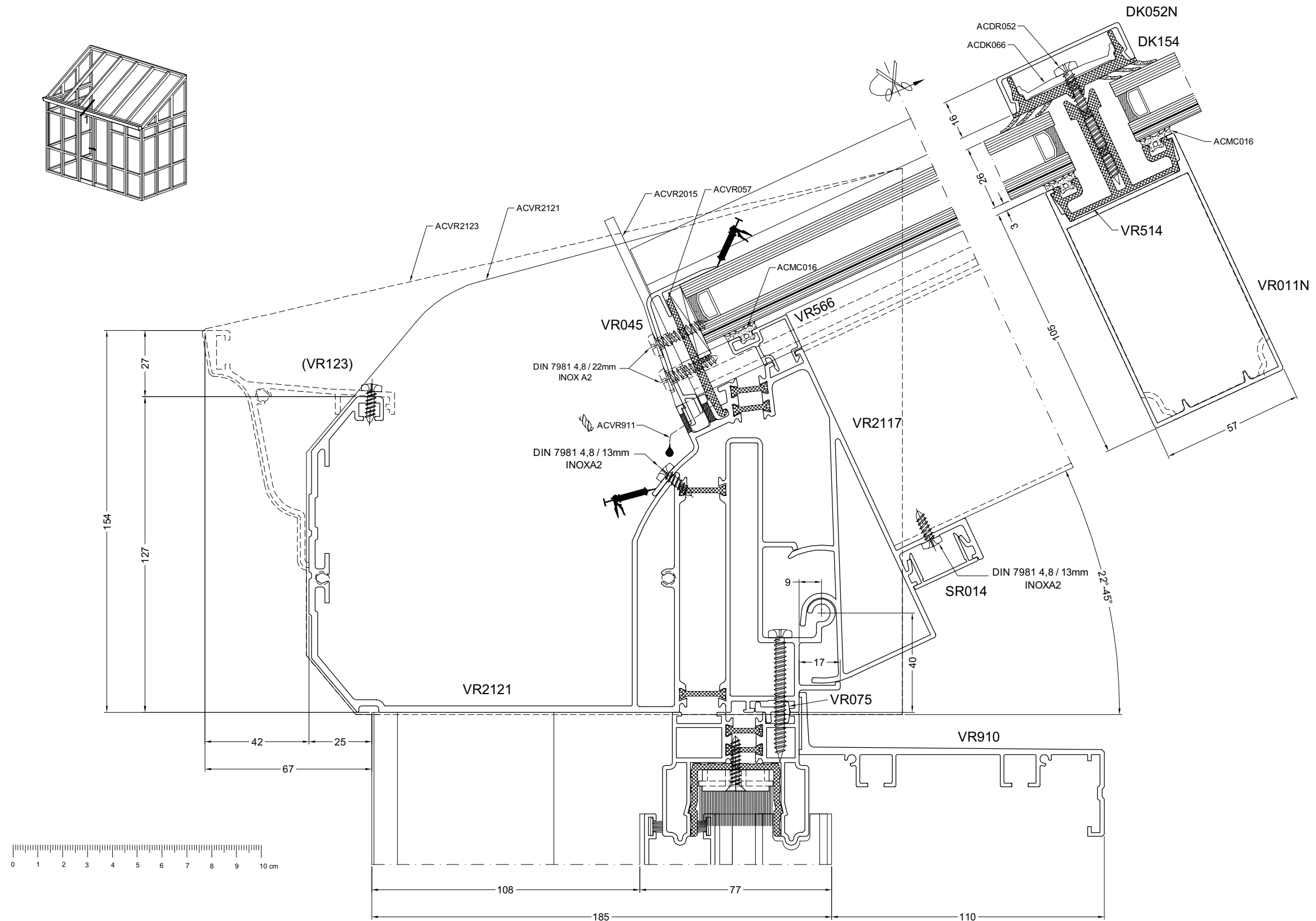
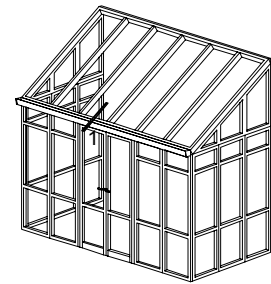


door1b

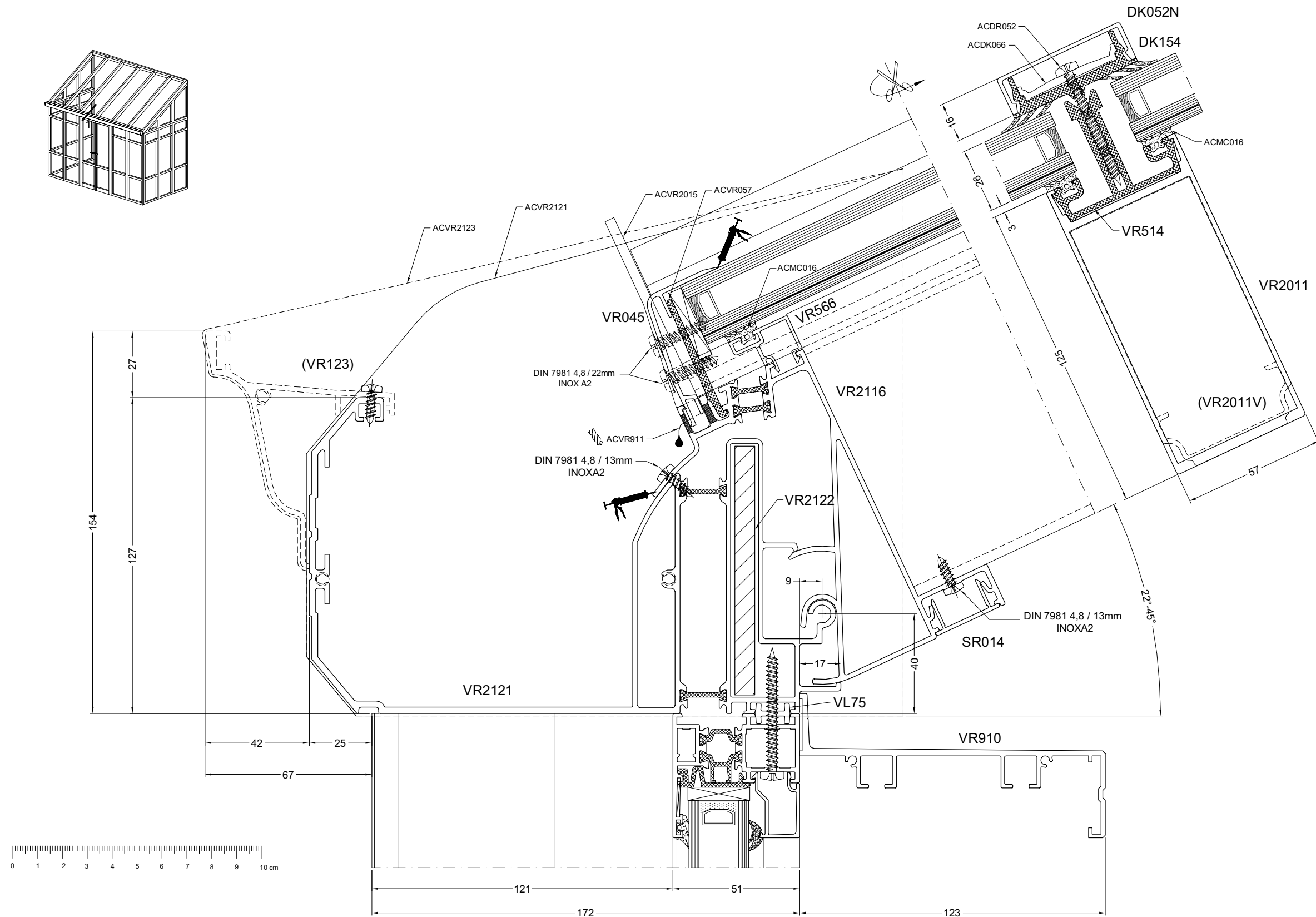
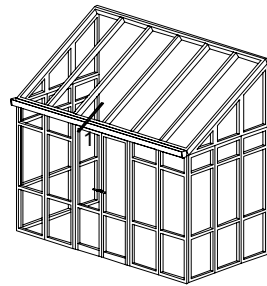
1C

22°-45°

DOORSNEDE - COUPE - SCHNITT - SECTION



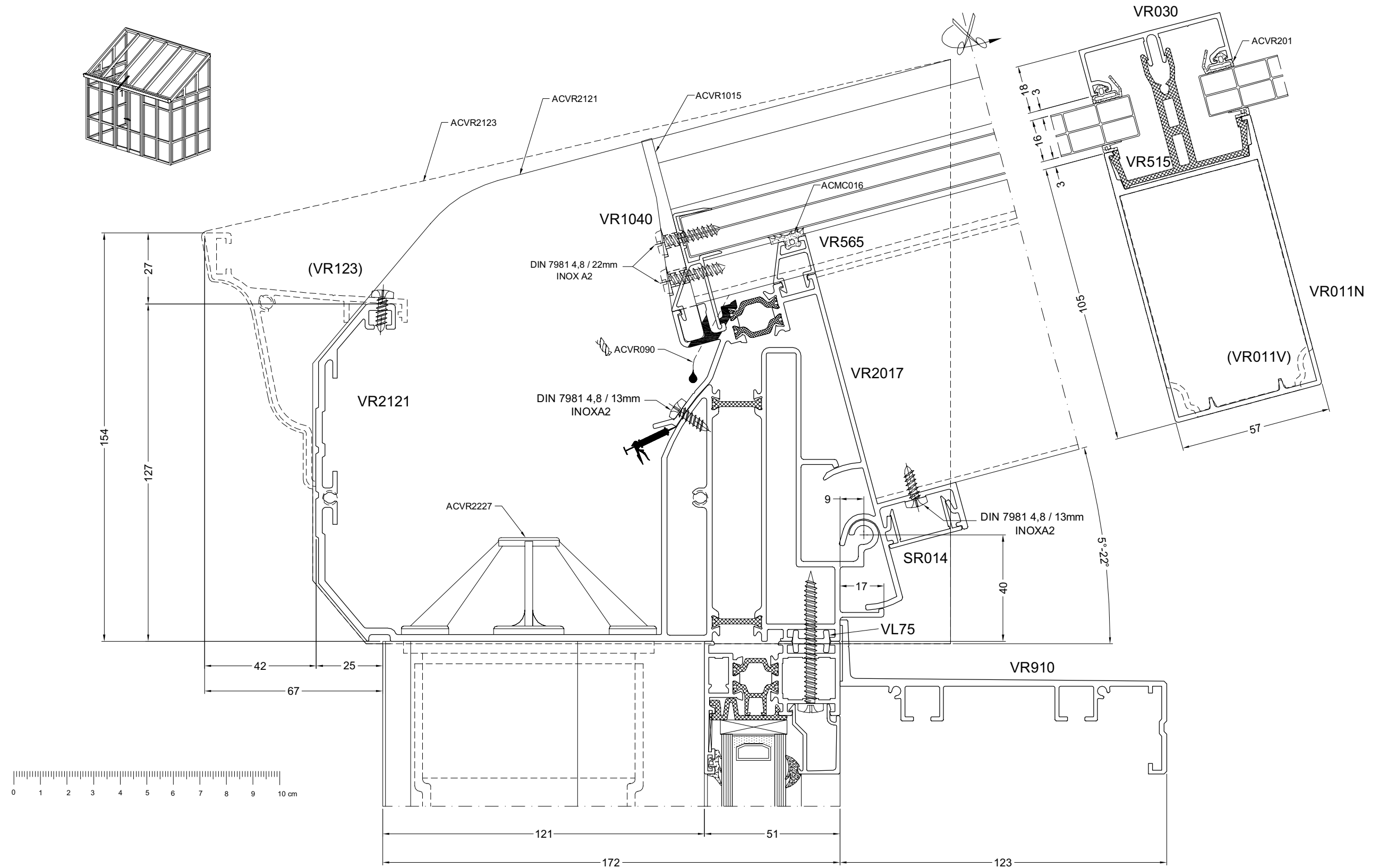
door1e



1E

5°-22°

DOORSNEDE - COUPE - SCHNITT - SECTION

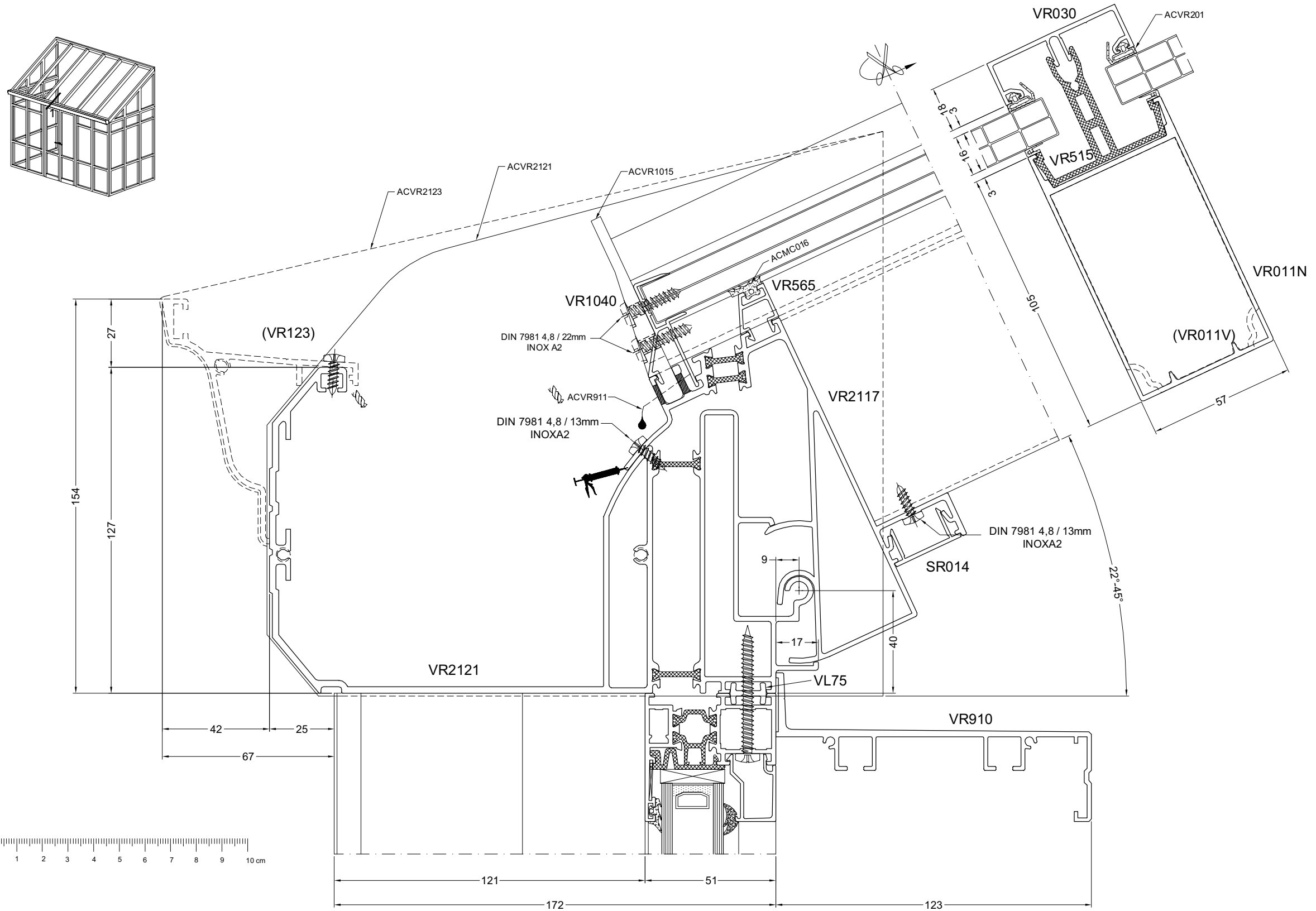


DOOR1C

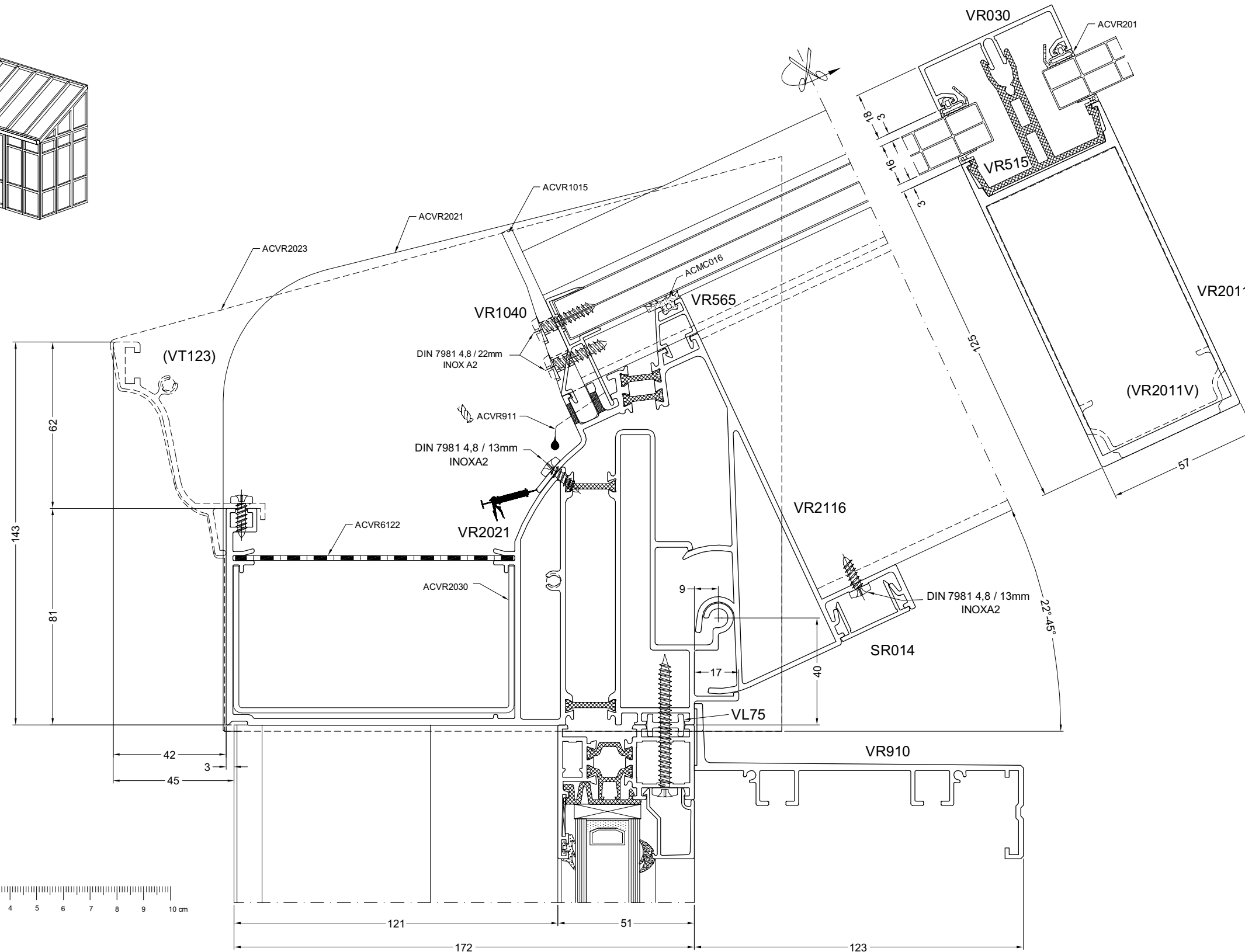
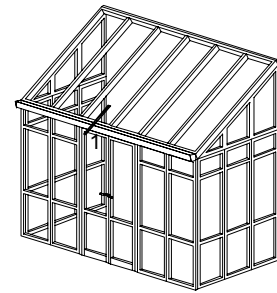
1G

22°-45°

DOORSNEDE - COUPE - SCHNITT - SECTION



door1g

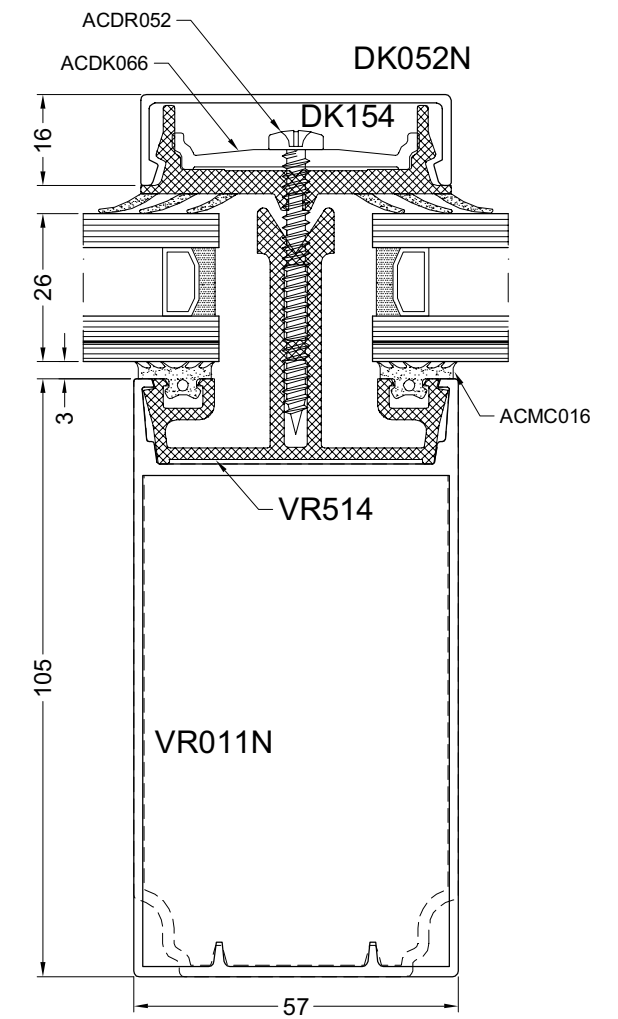
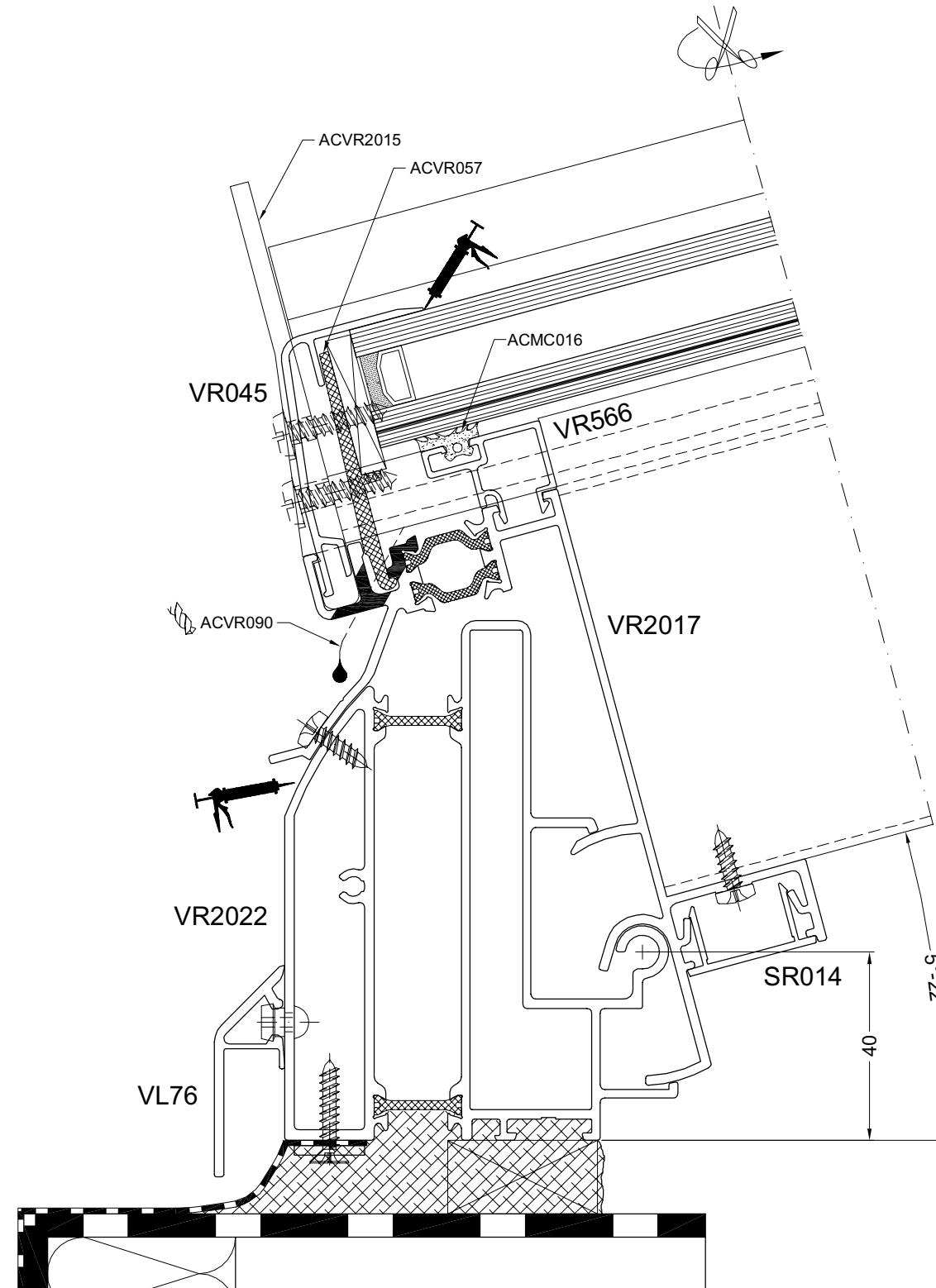
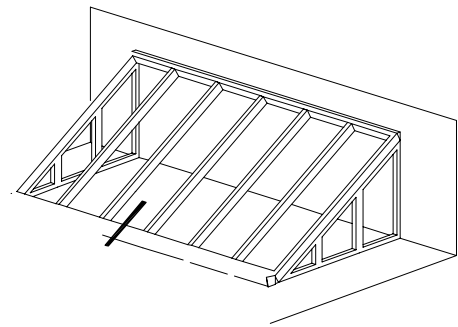


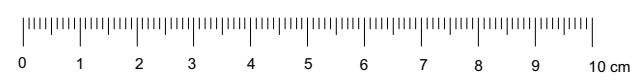
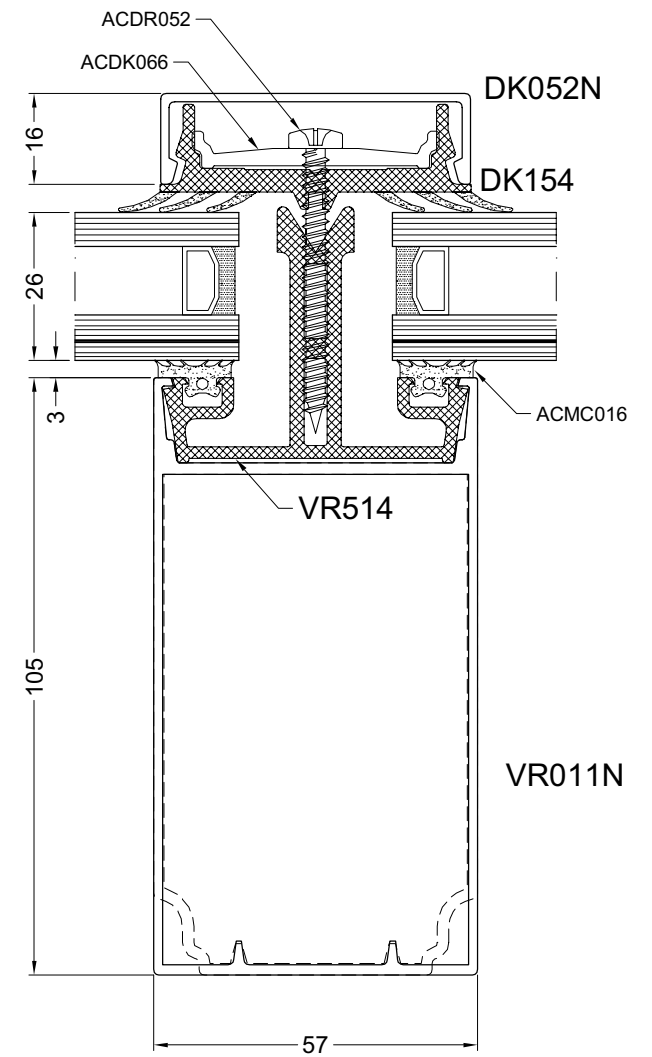
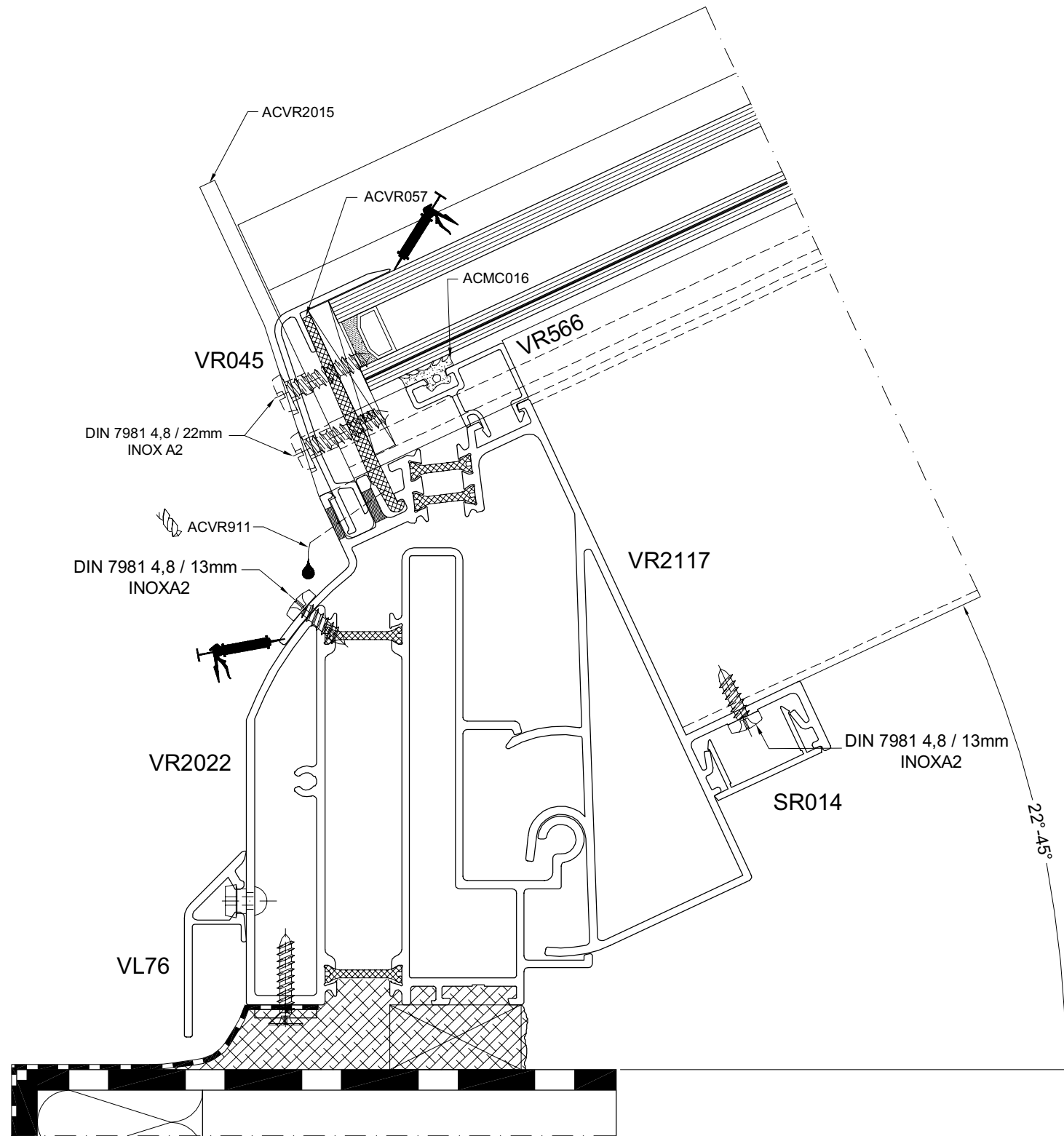
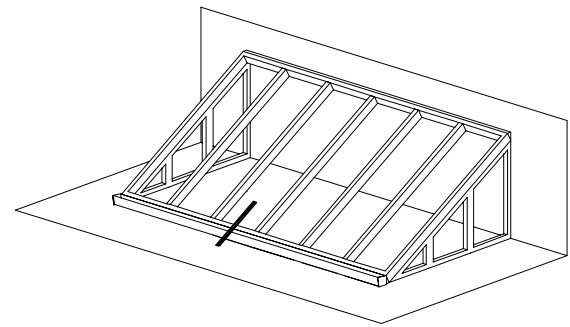
door1h

11

5°-22°

DOORSNEDE - COUPE - SCHNITT - SECTION

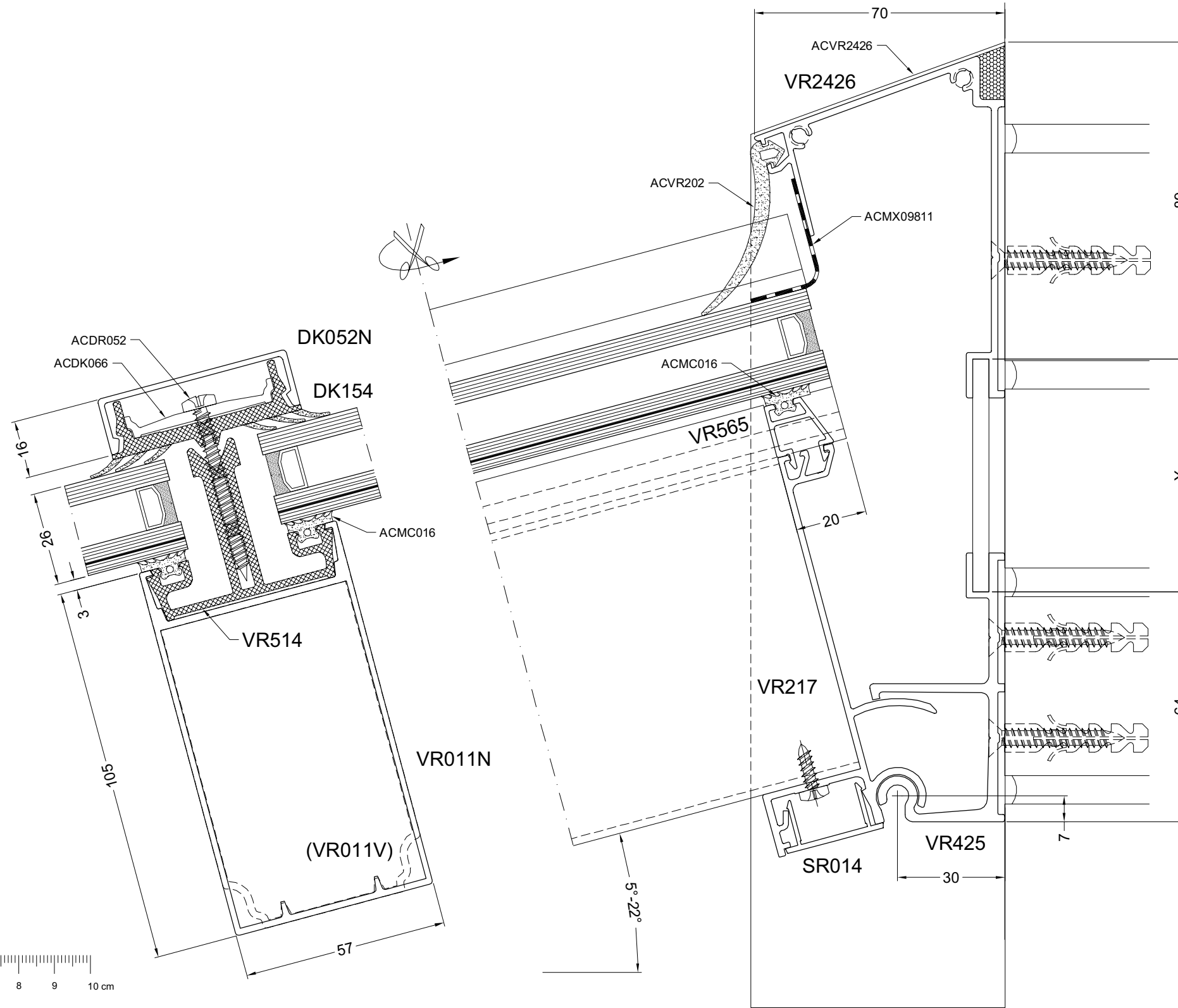
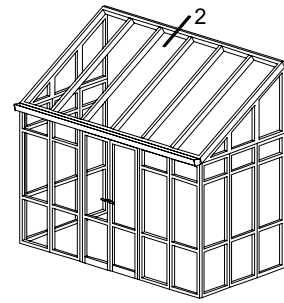




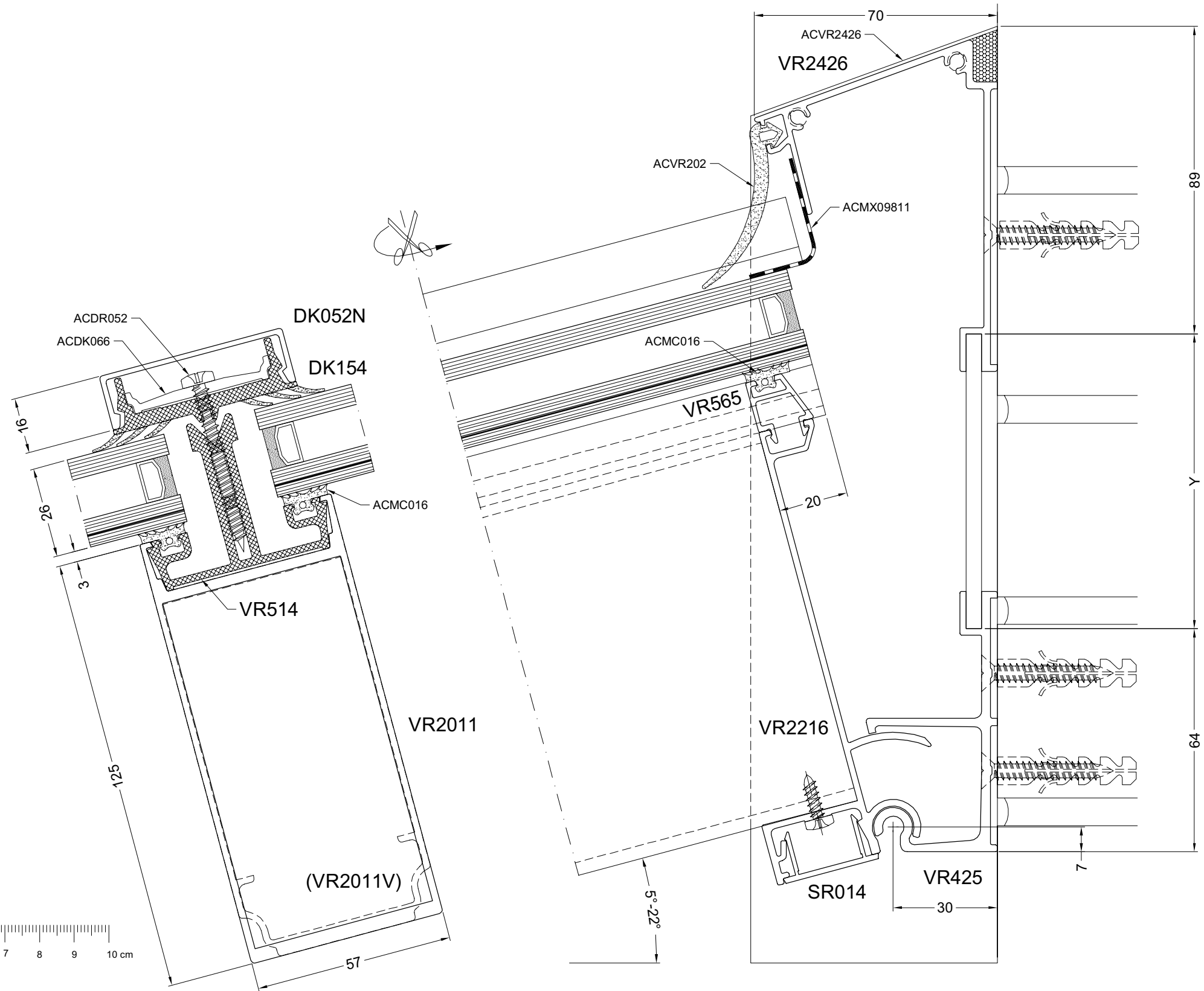
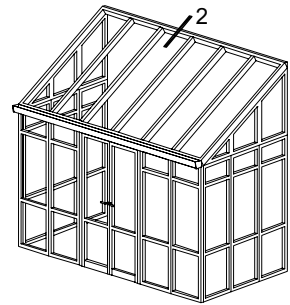
2A

5°-22°

DOORSNEDE - COUPE - SCHNITT - SECTION



DOOR2A

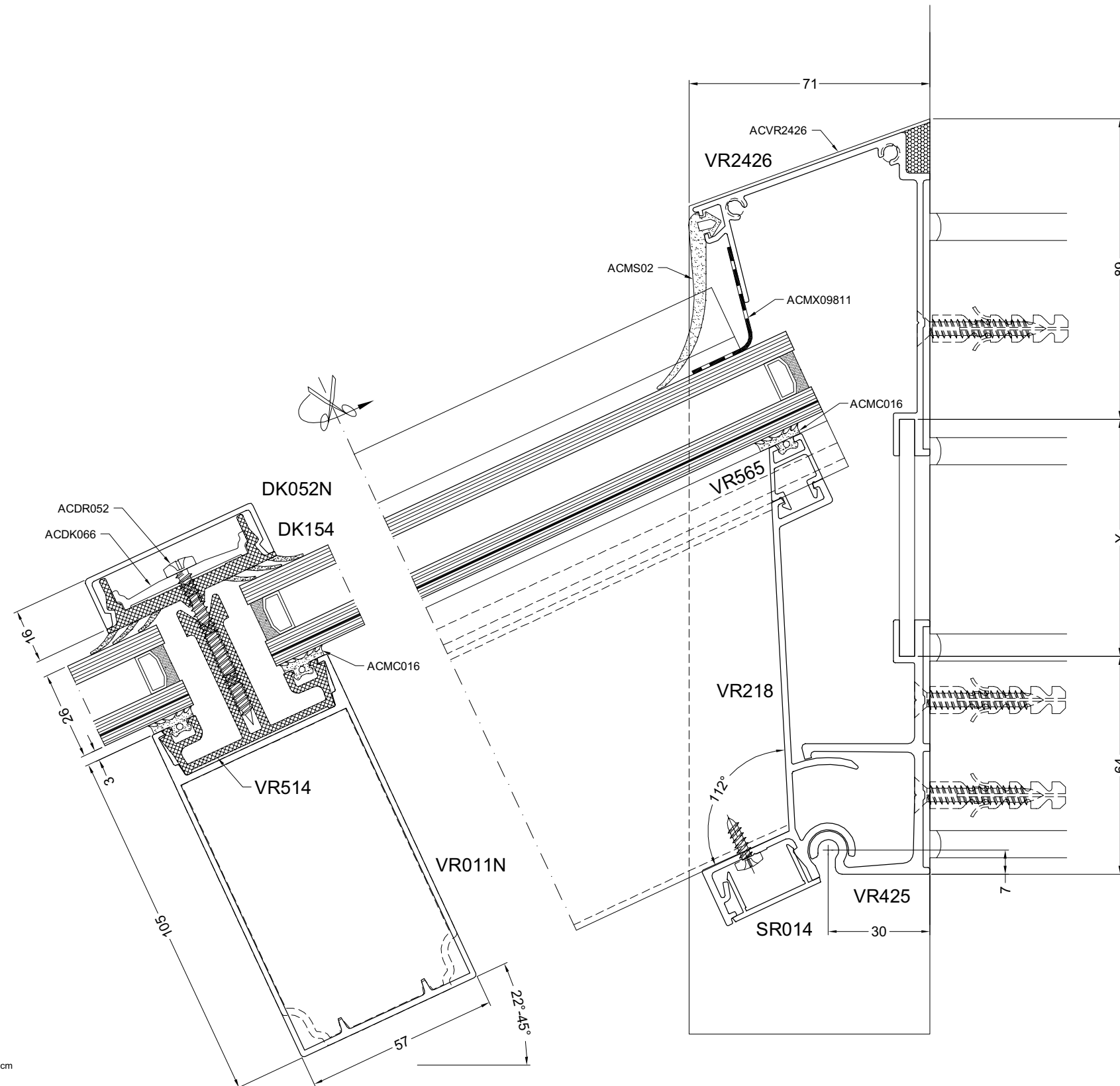
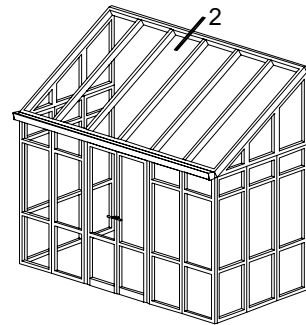


door2b

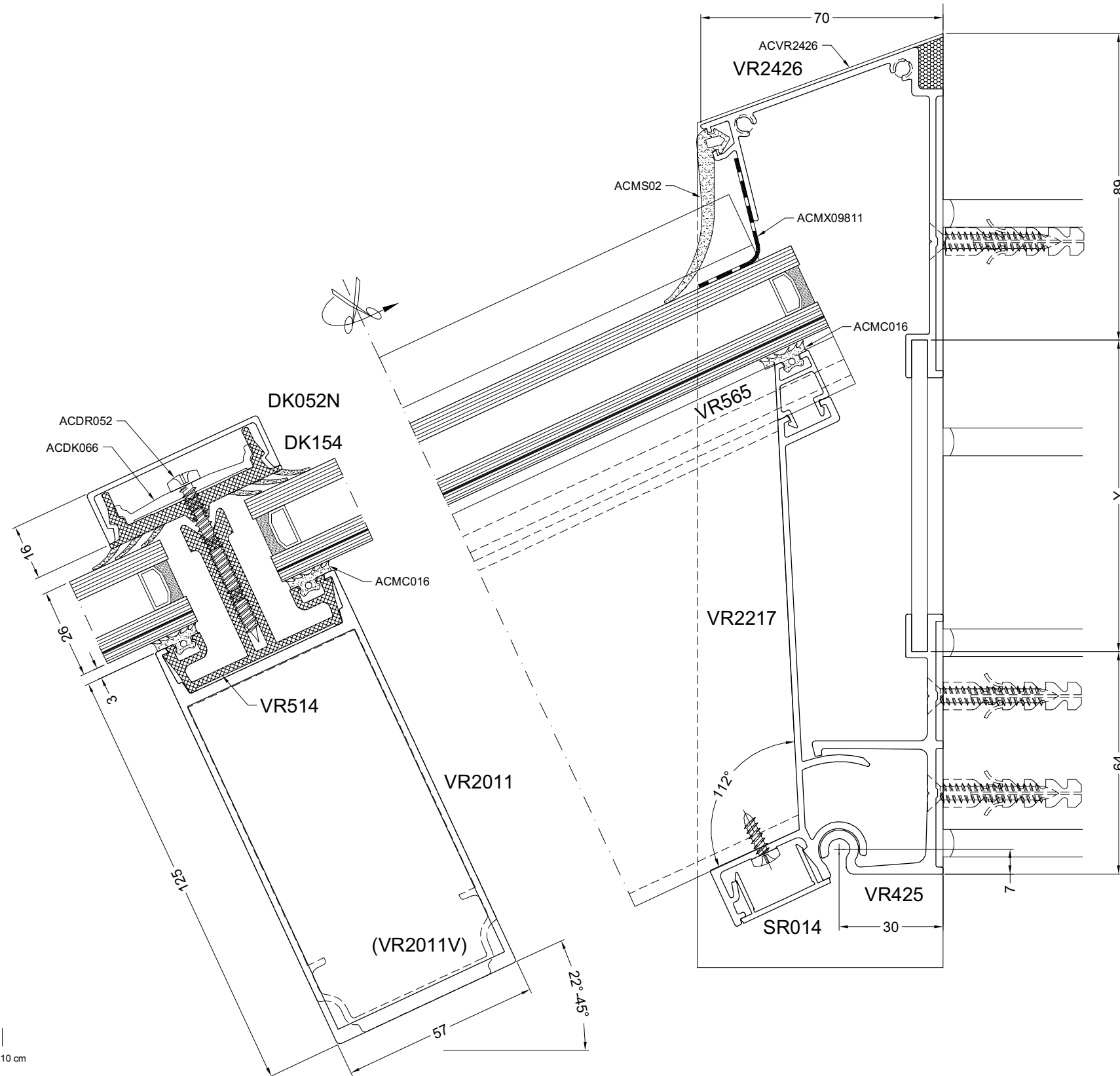
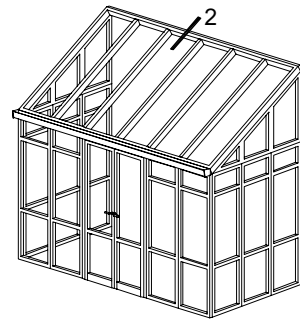
2C

22°-45°

DOORSNEDE - COUPE - SCHNITT - SECTION



DOOR2E

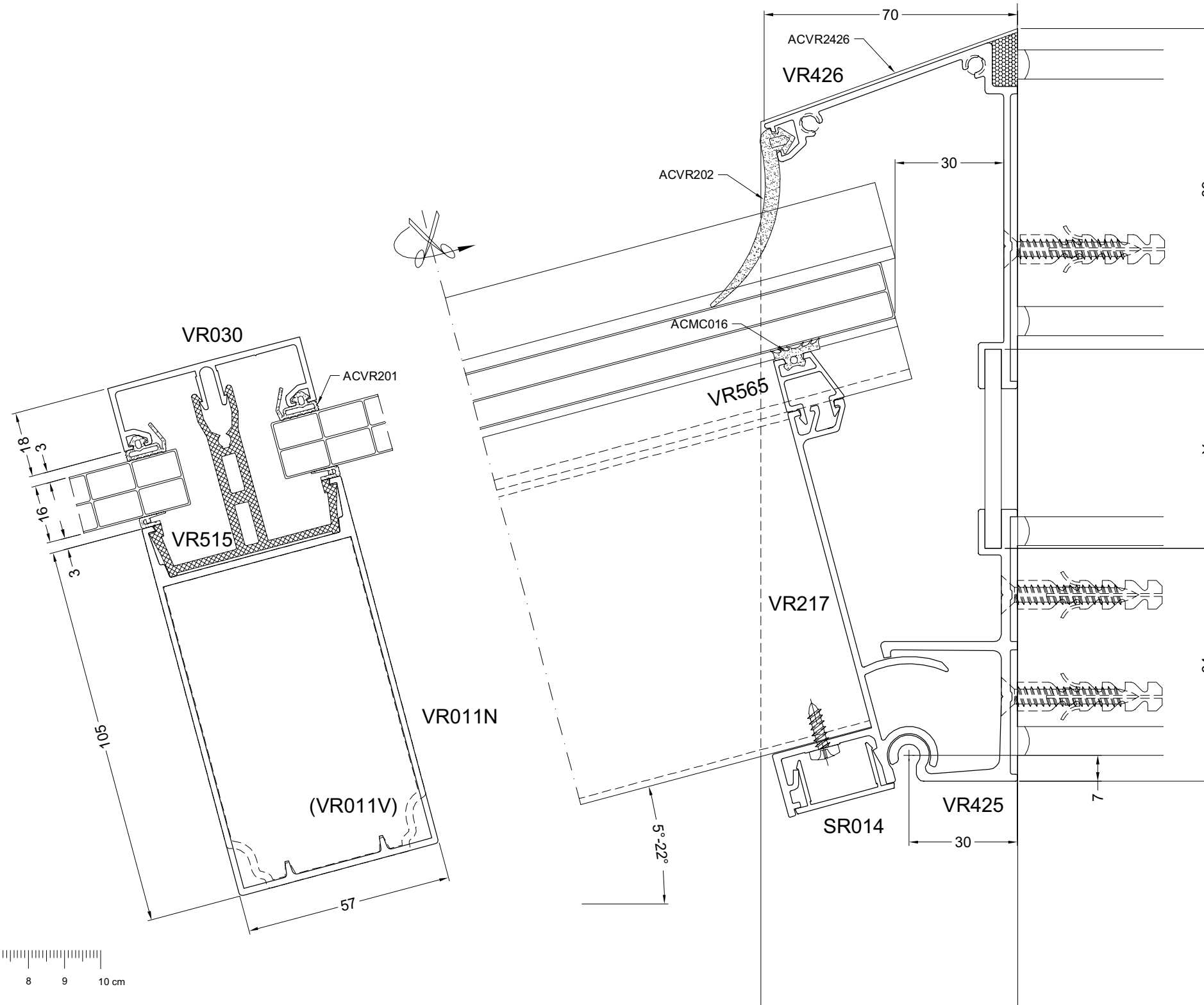
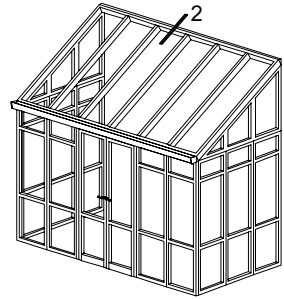


door2f

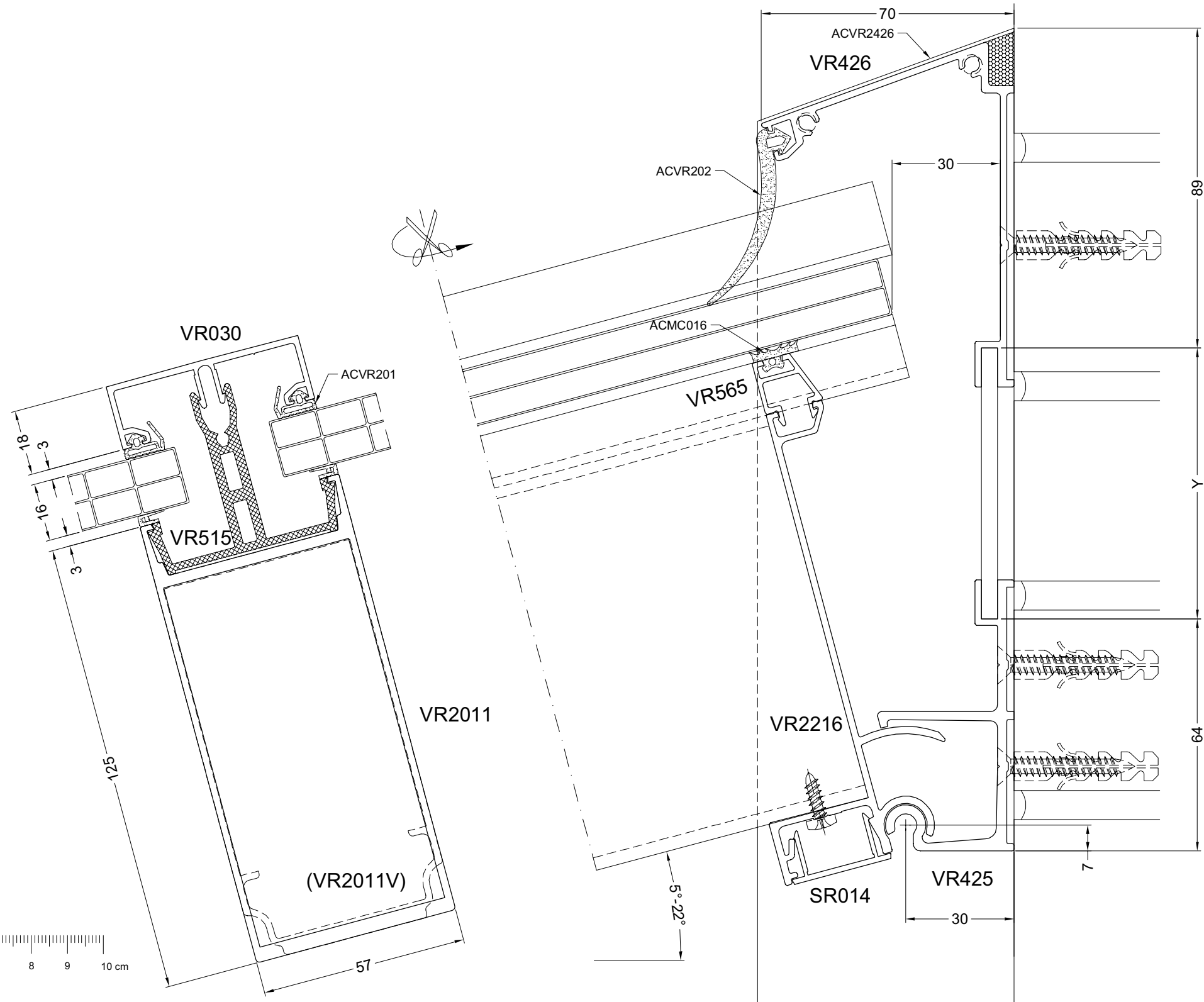
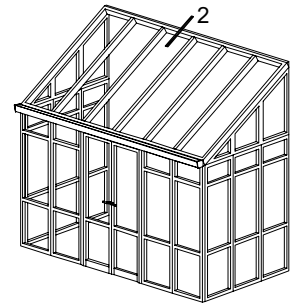
2E

5°-22°

DOORSNEDE - COUPE - SCHNITT - SECTION



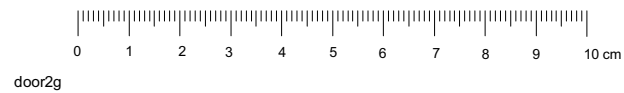
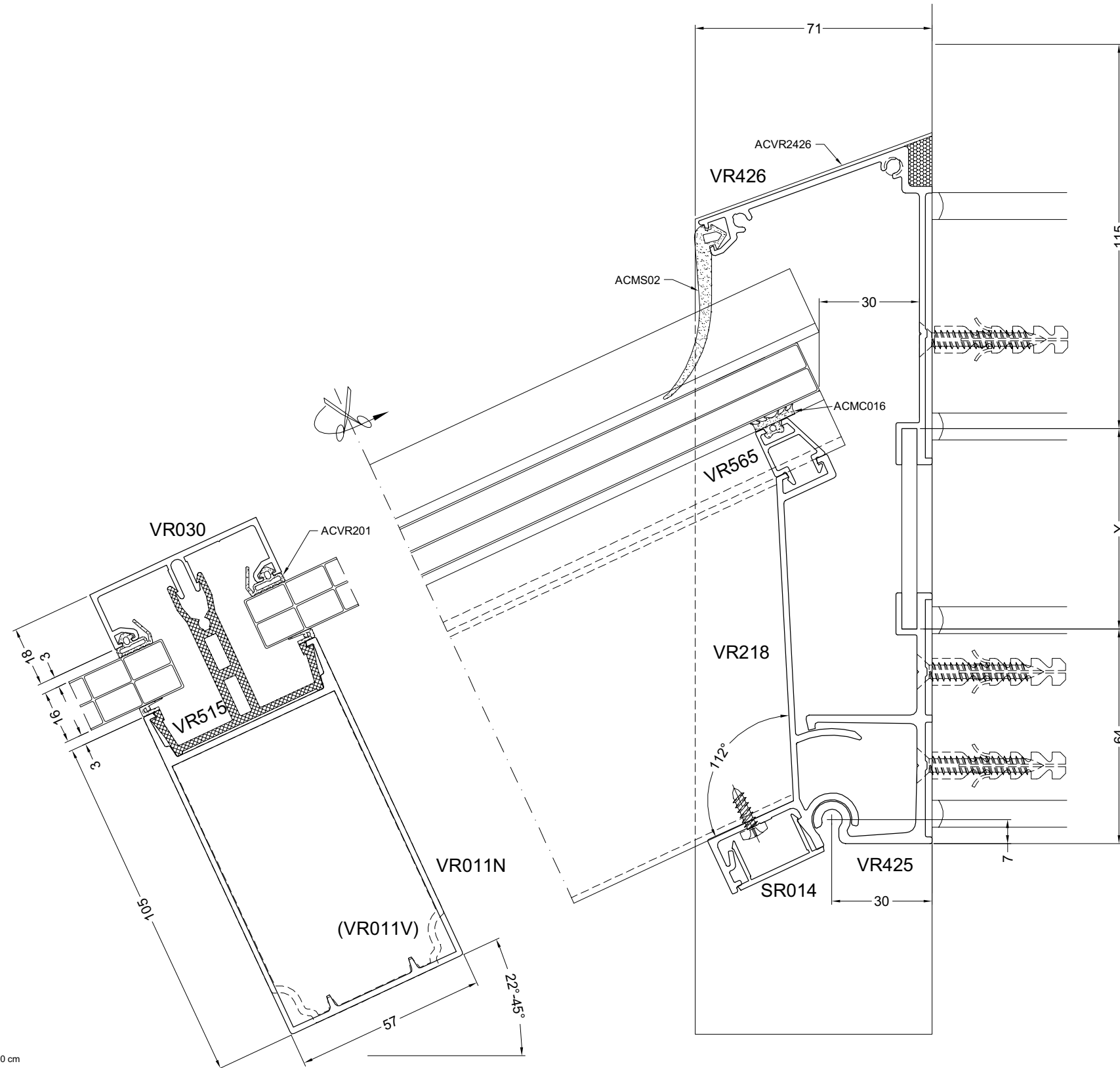
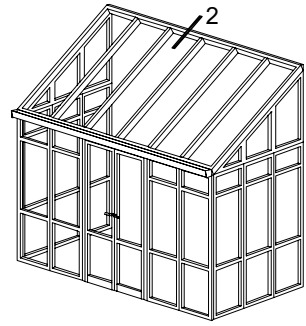
door2c

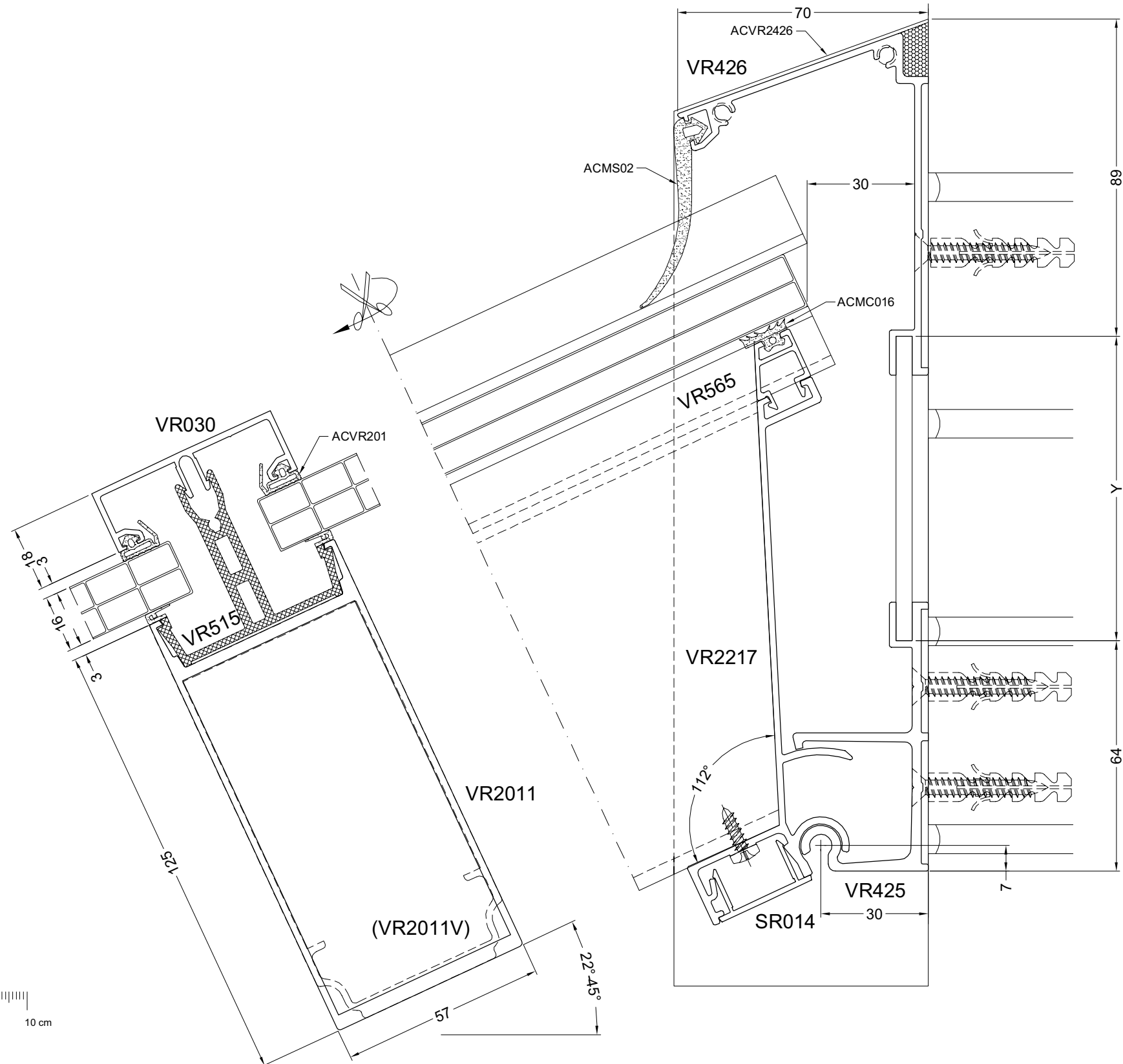
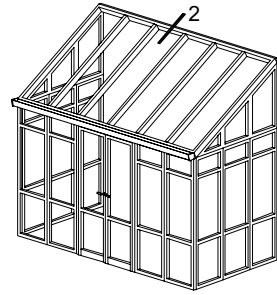


2G

22°-45°

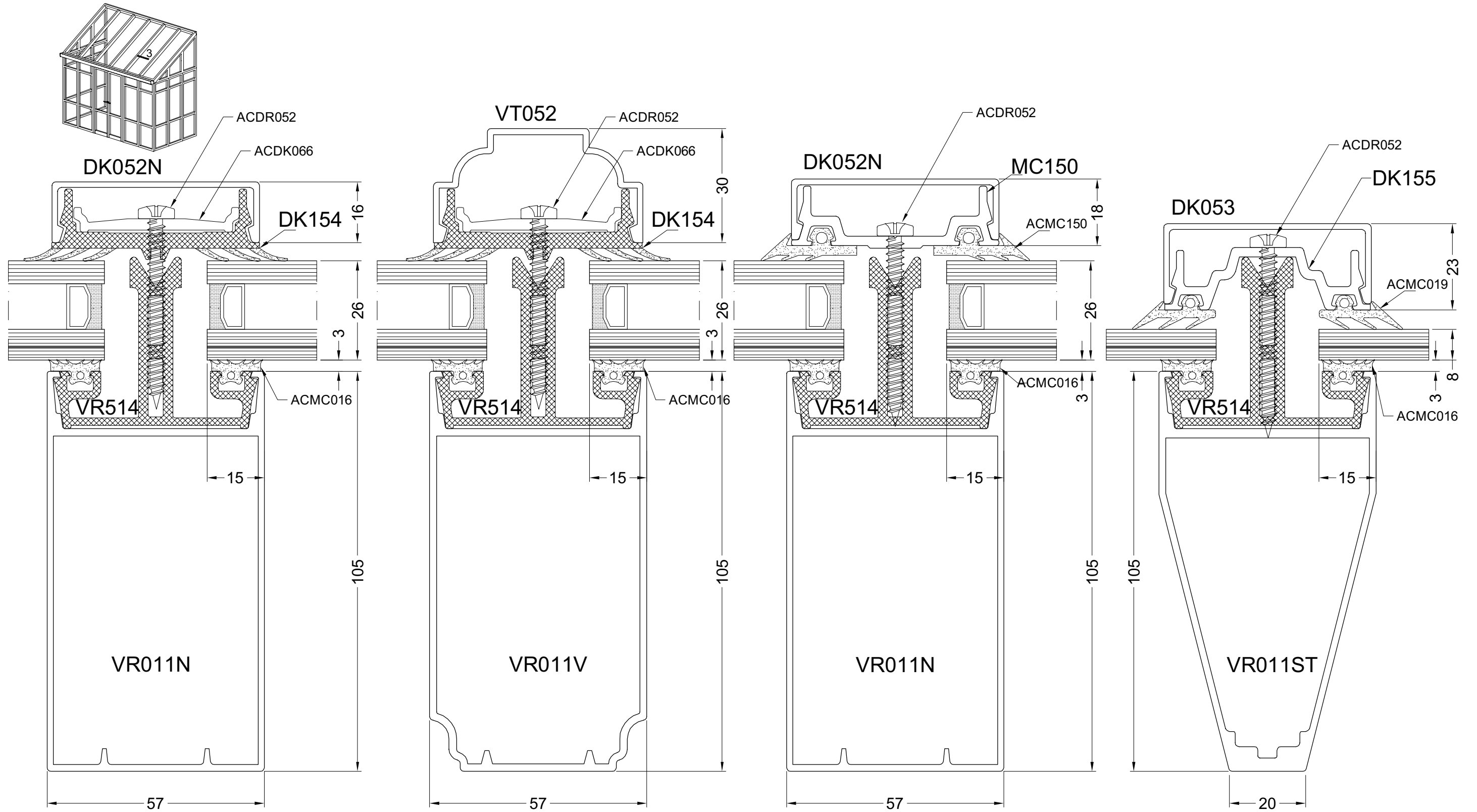
DOORSNEDE - COUPE - SCHNITT - SECTION



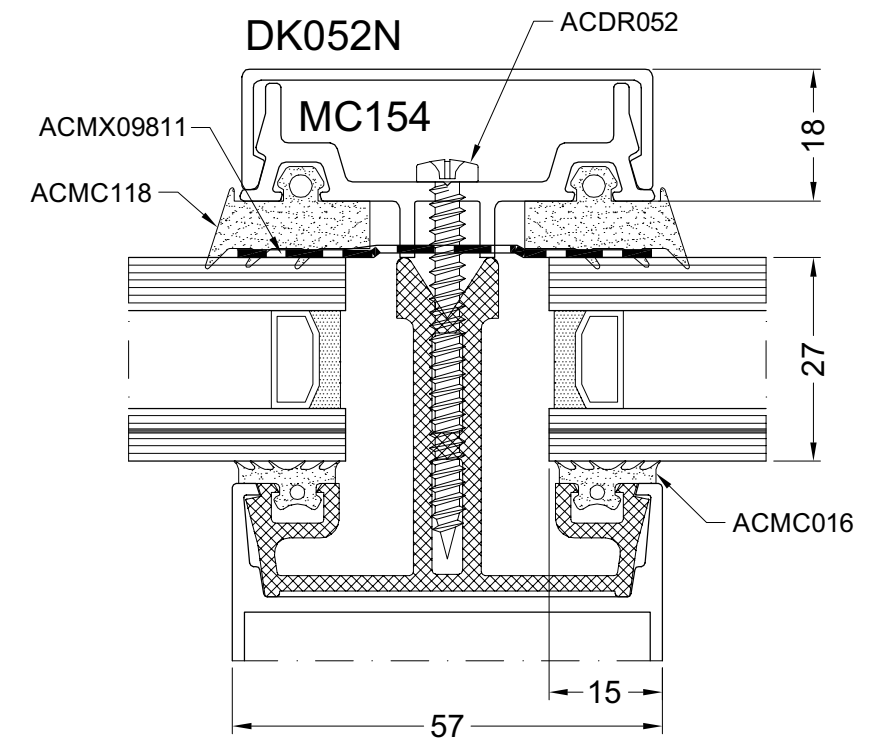
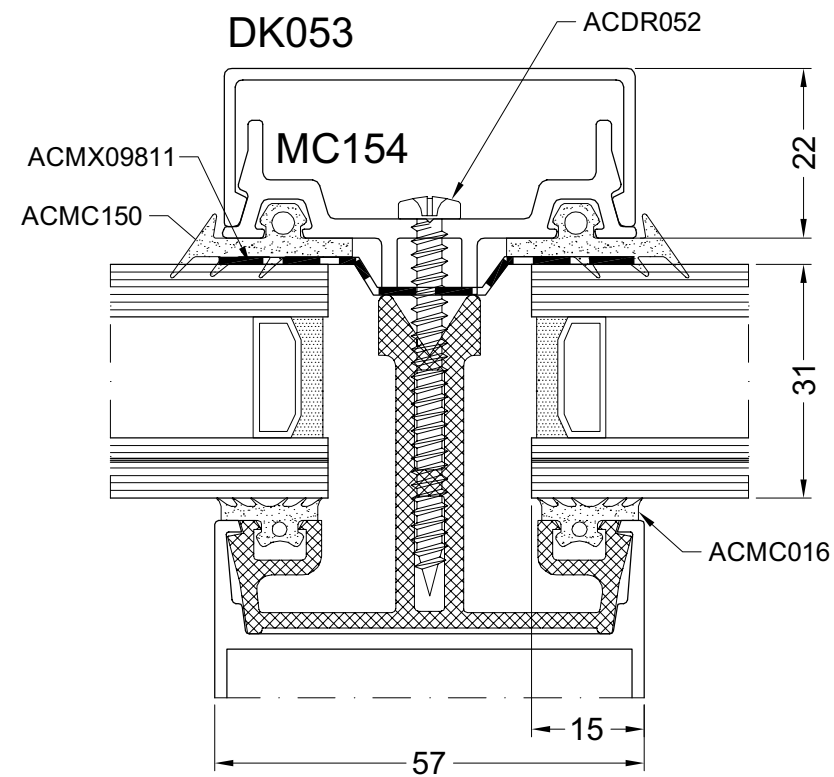
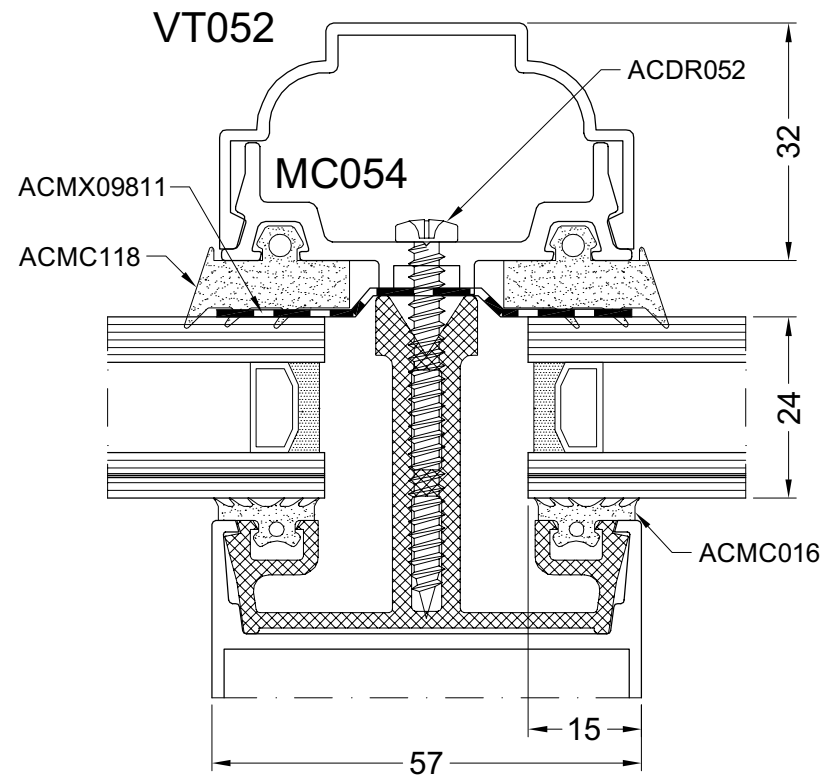
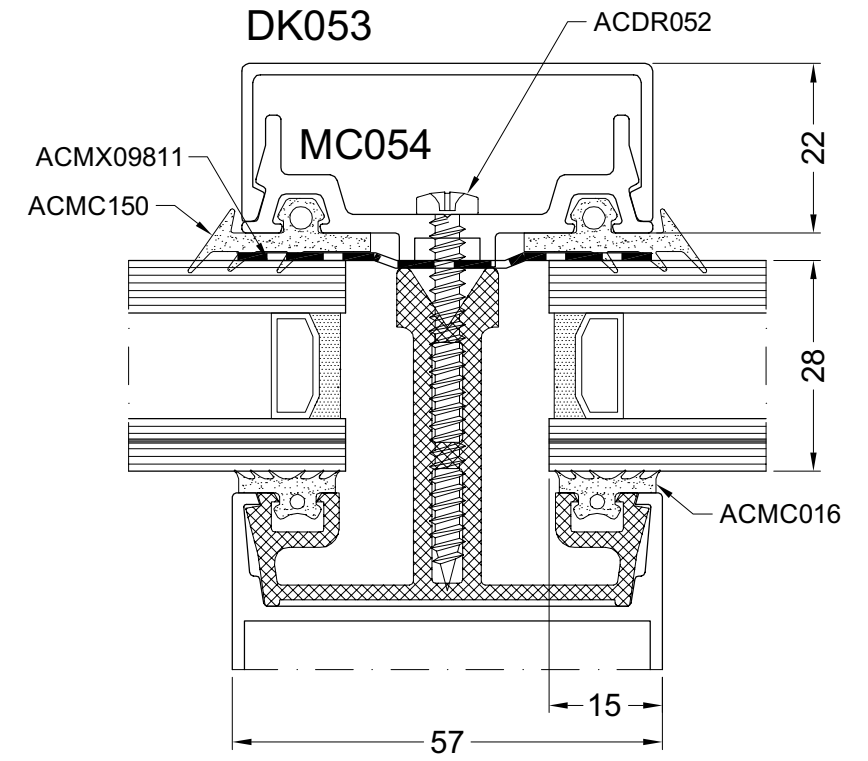
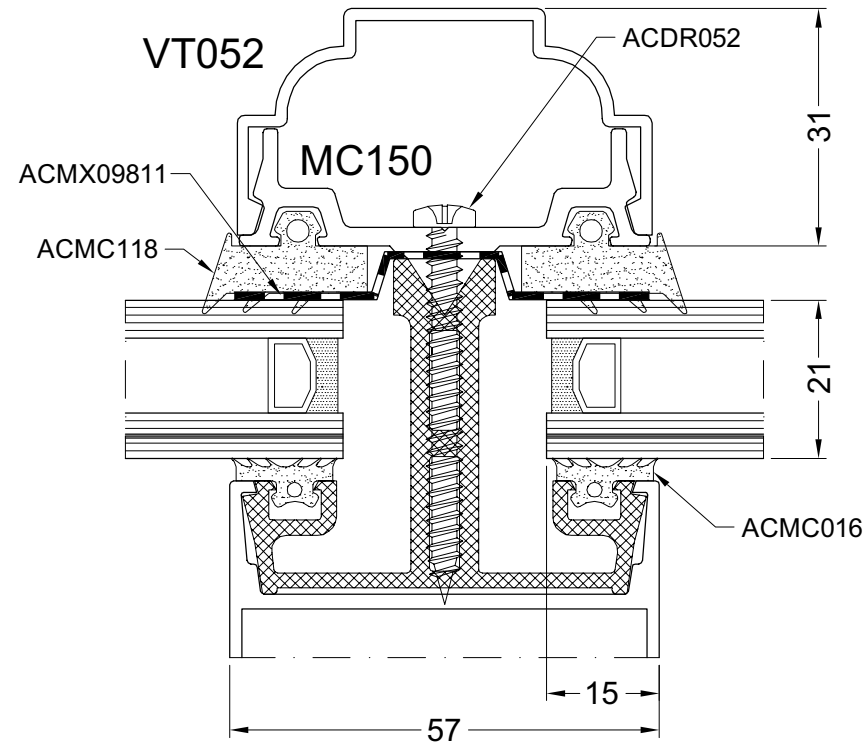
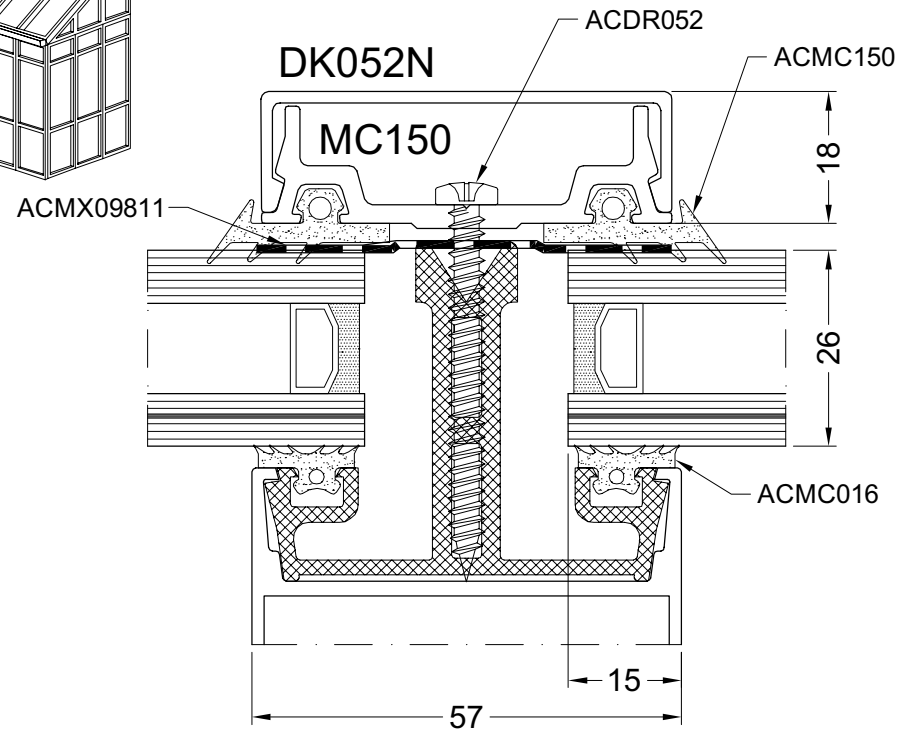
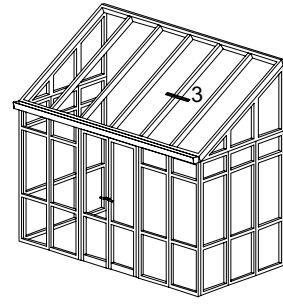


3A

DOORSNEDE - COUPE - SCHNITT - SECTION



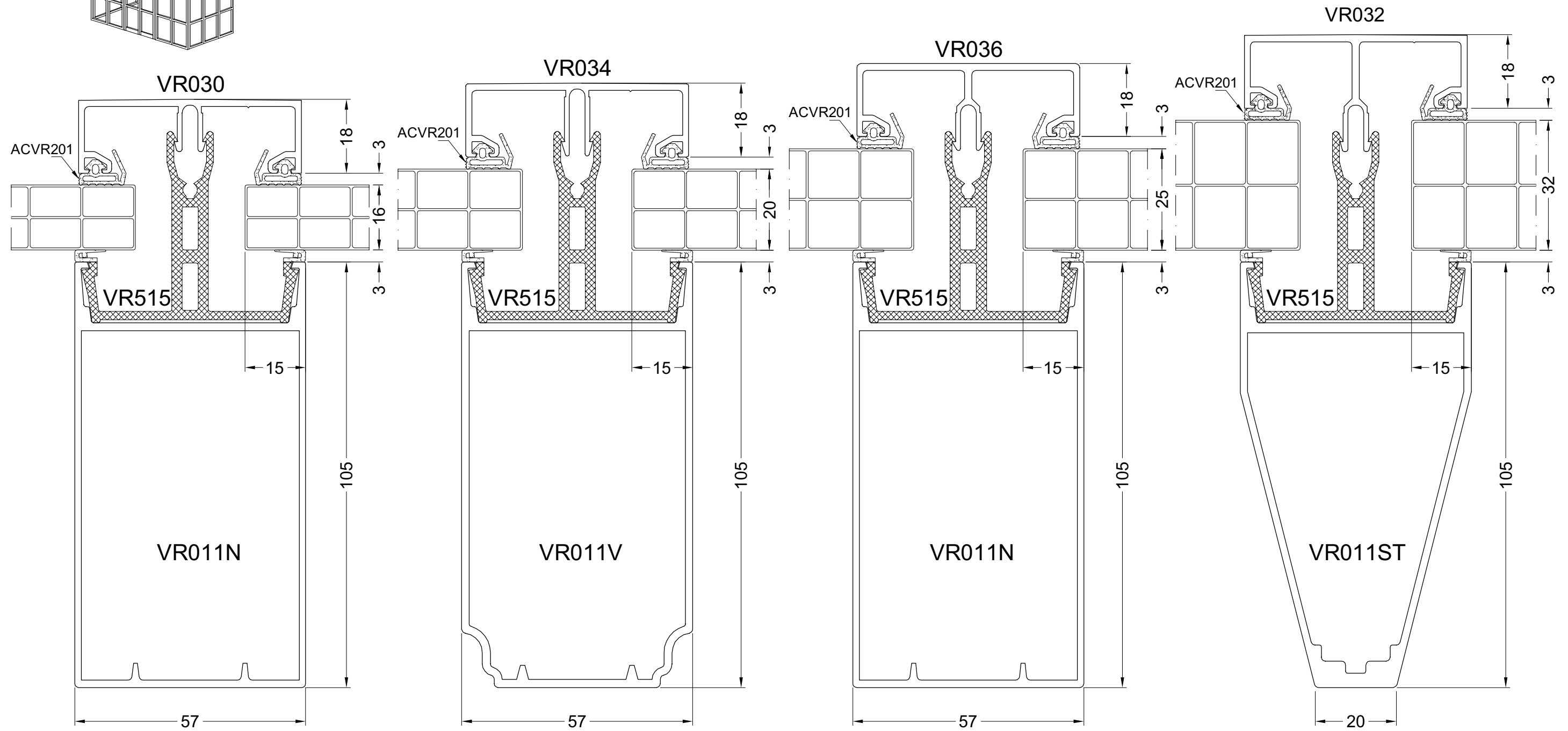
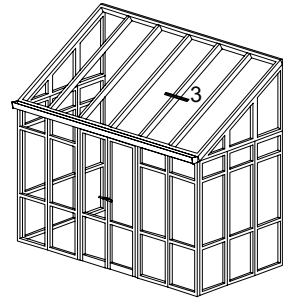
DOOR3A



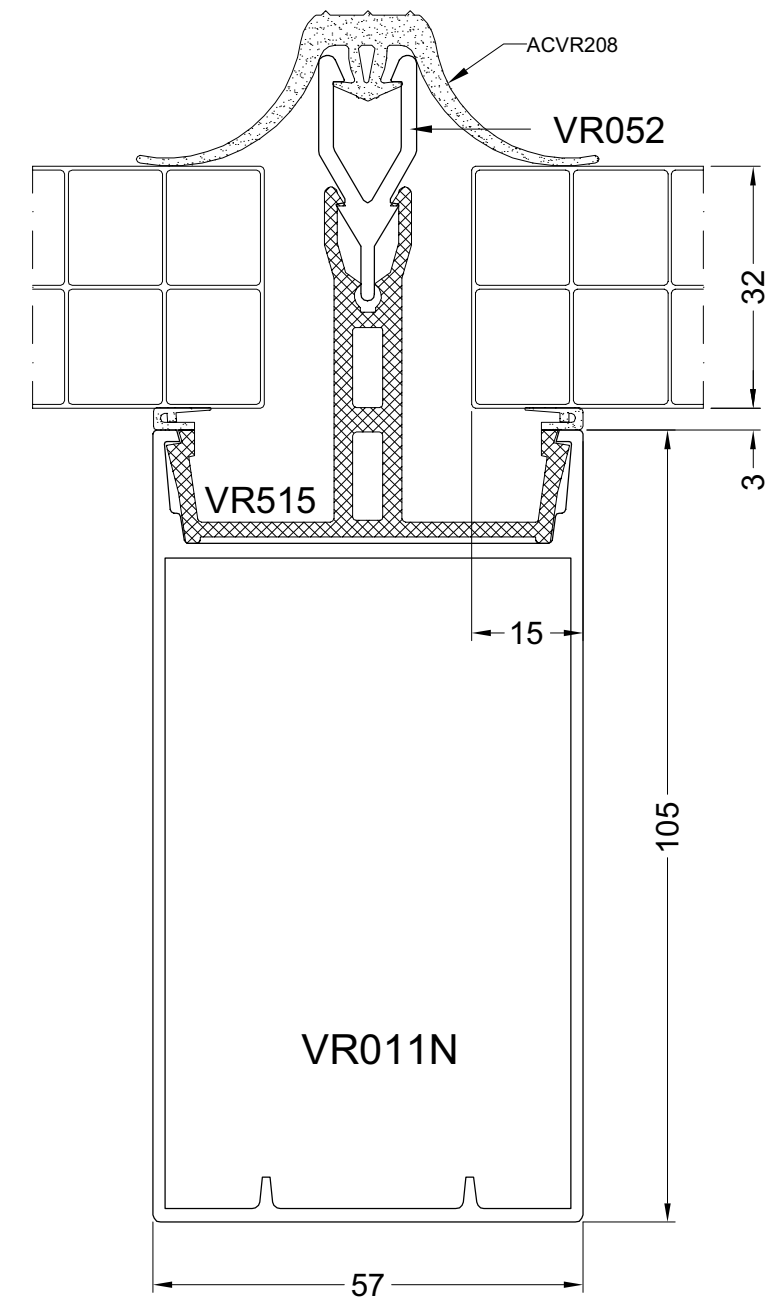
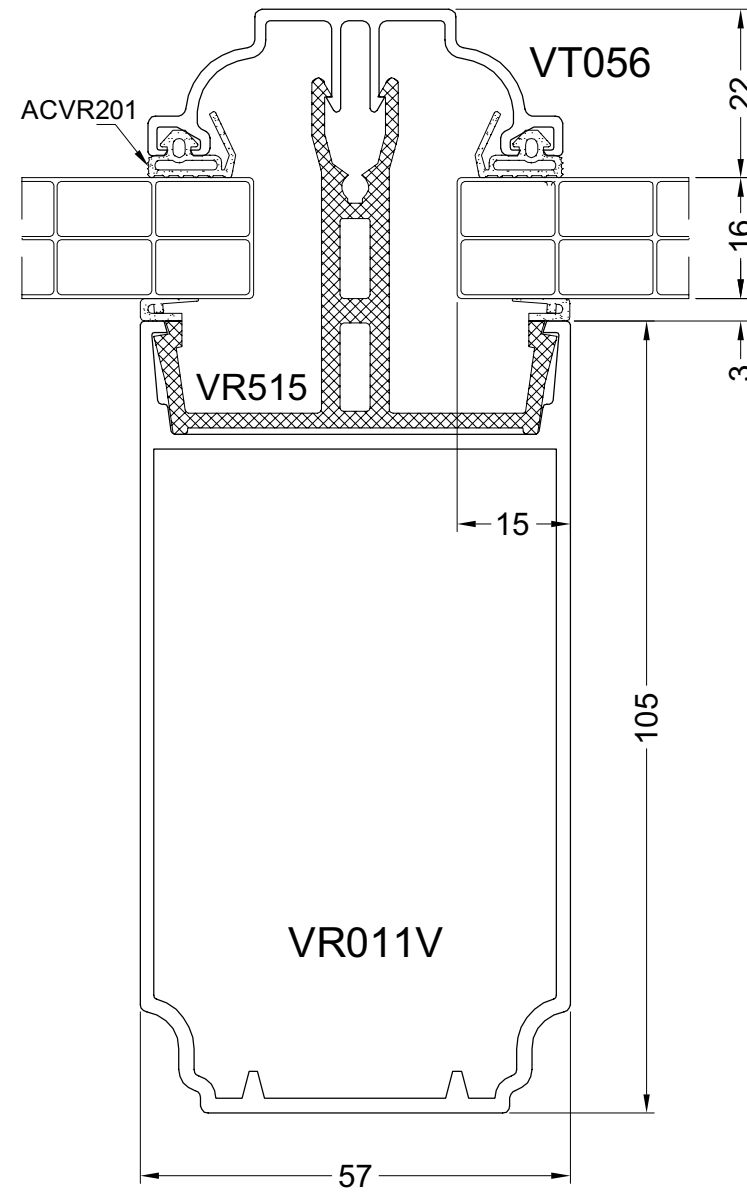
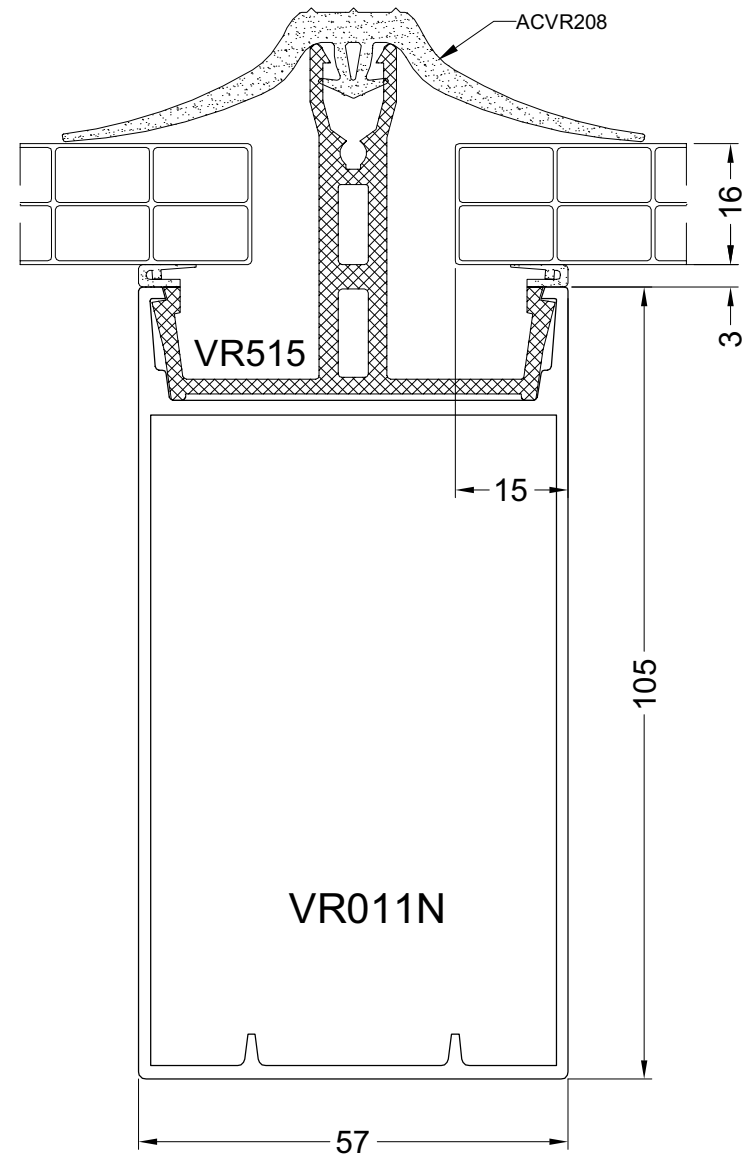
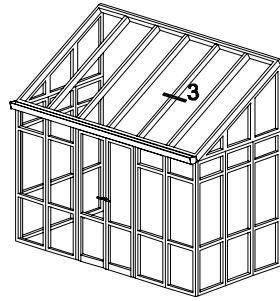
door3d

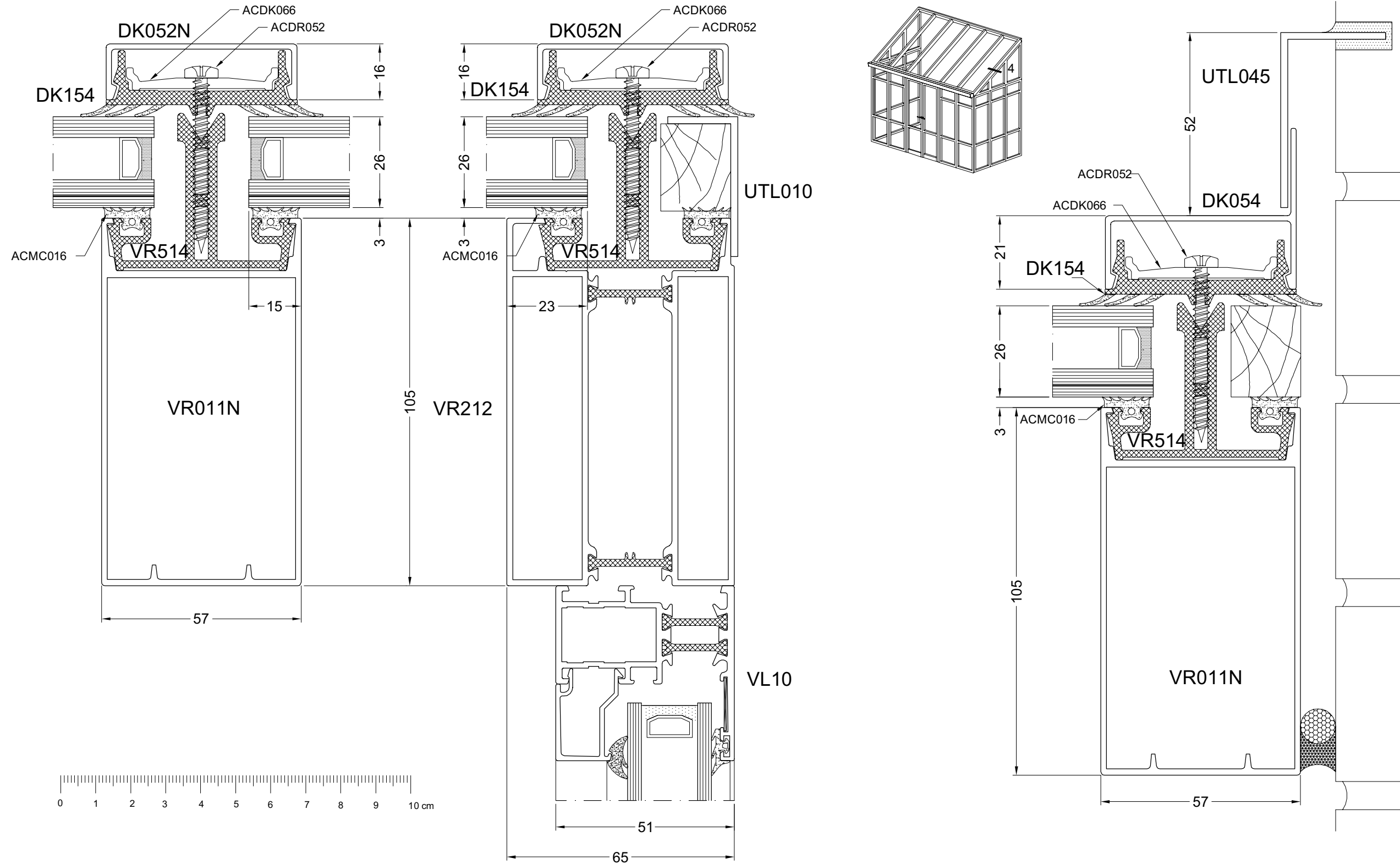
3C

DOORSNEDE - COUPE - SCHNITT - SECTION

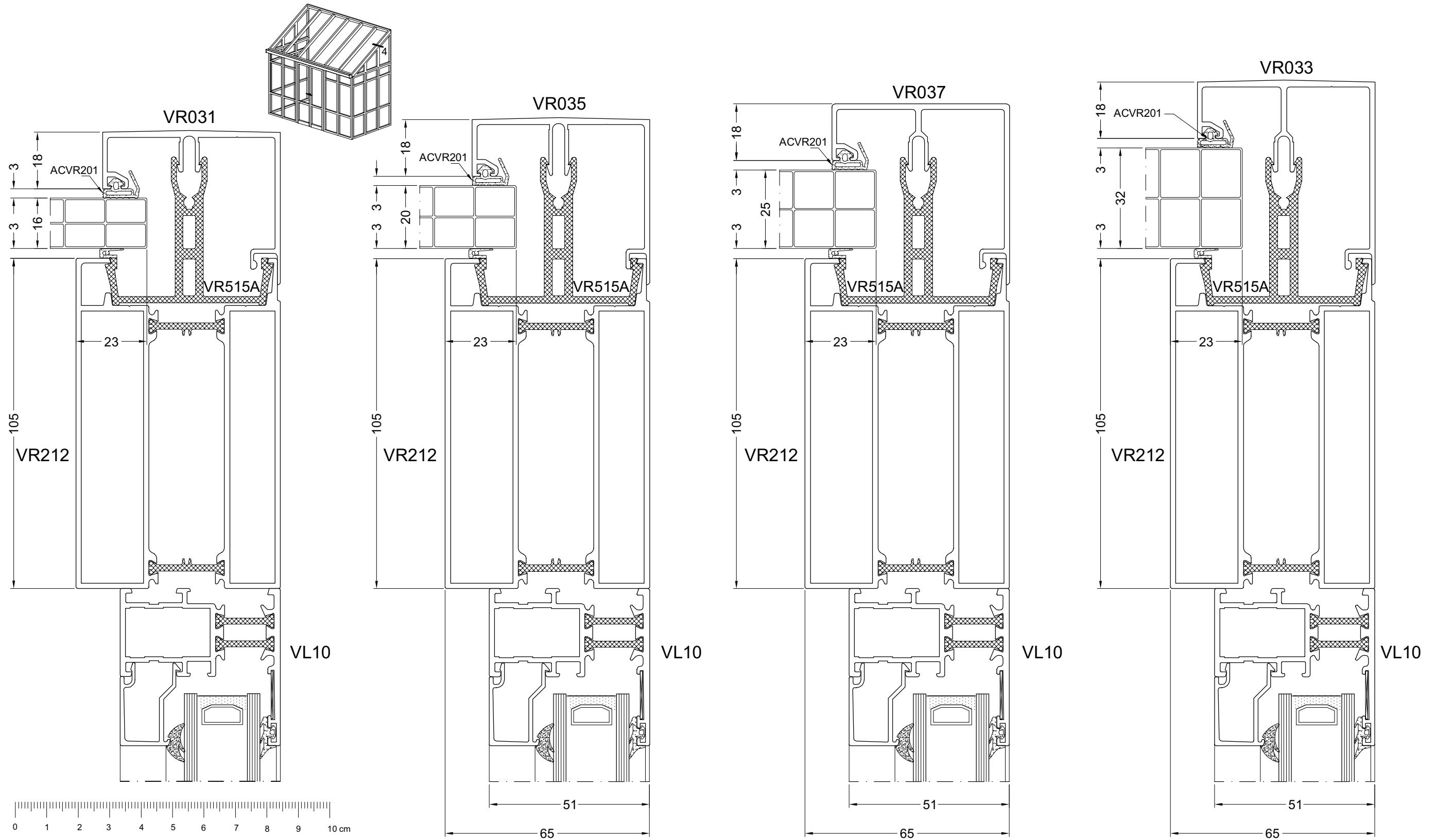


door3b

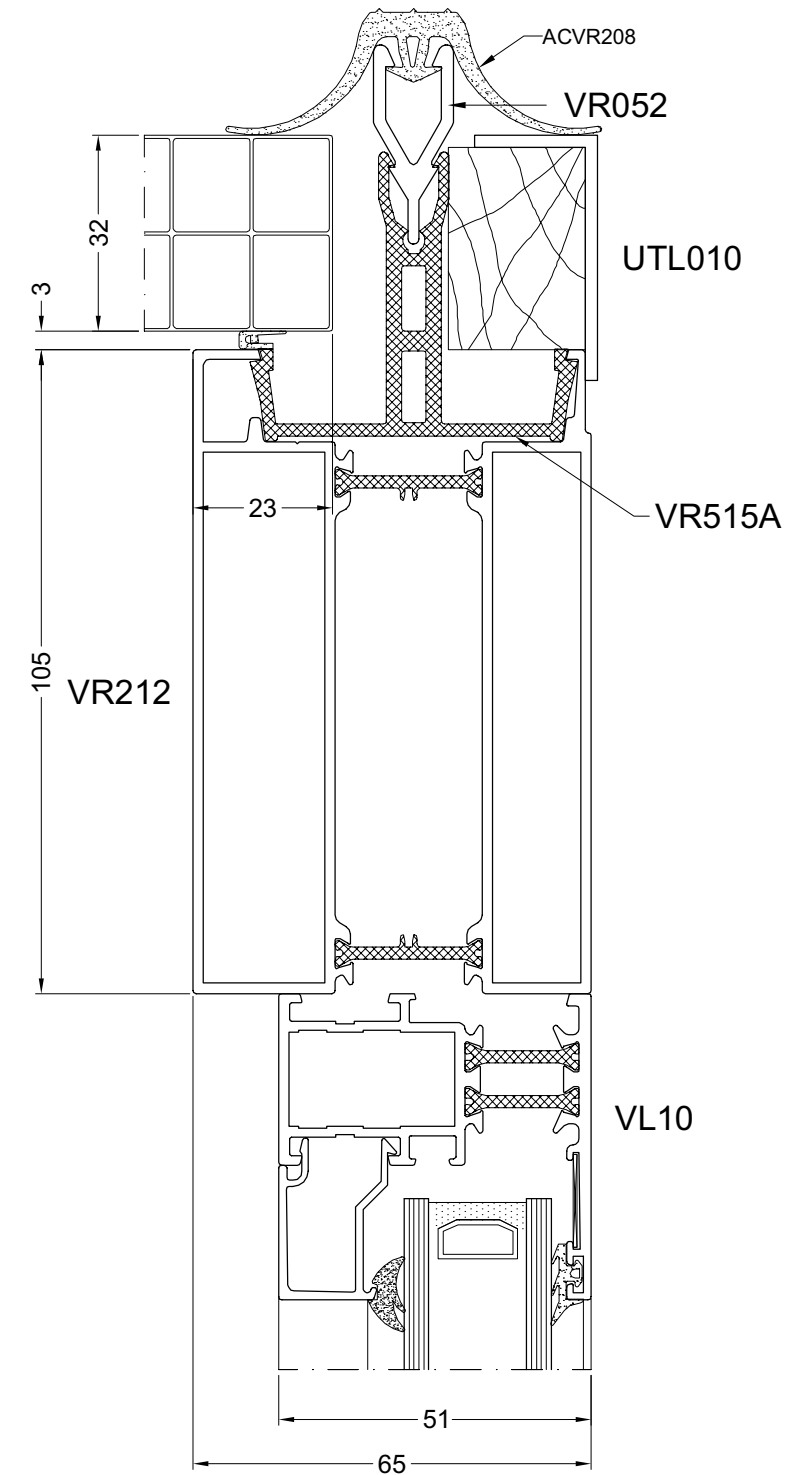
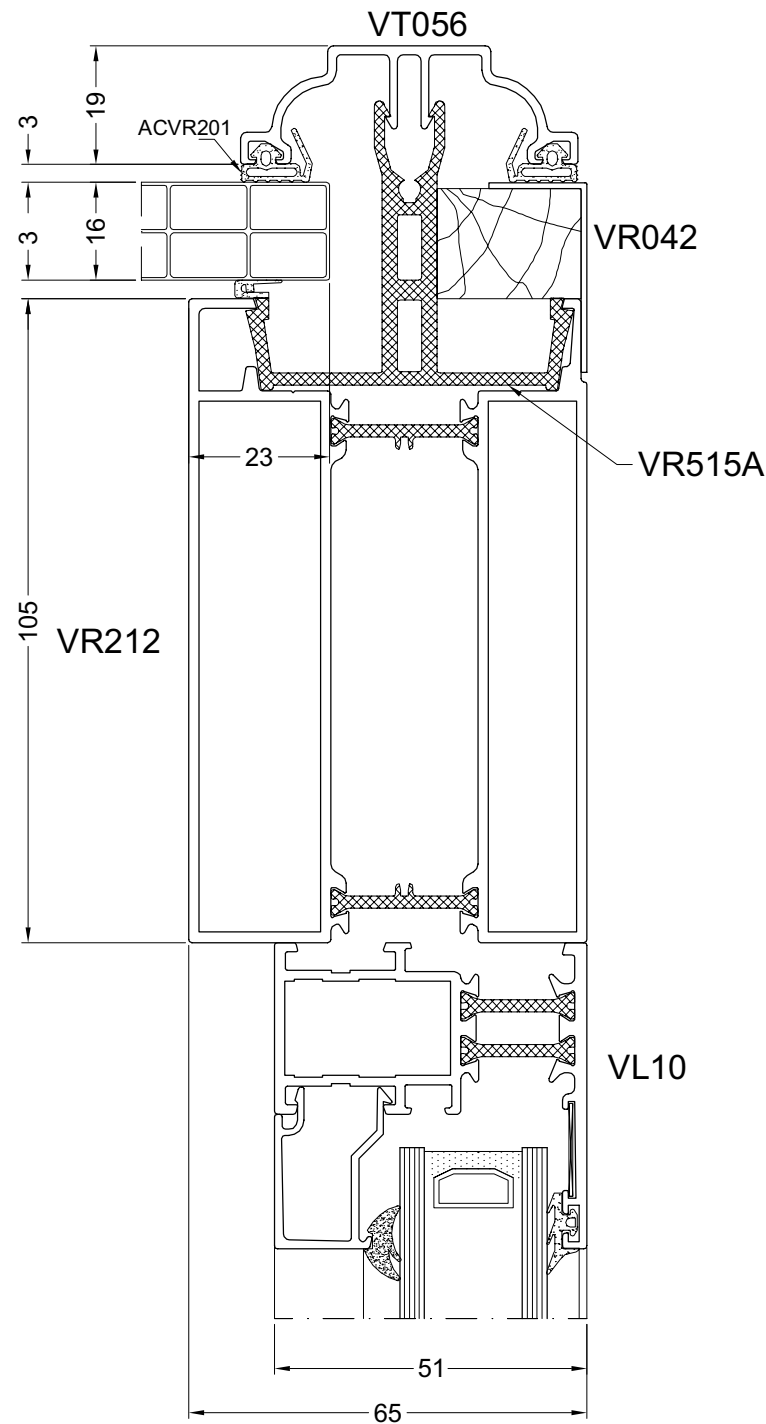
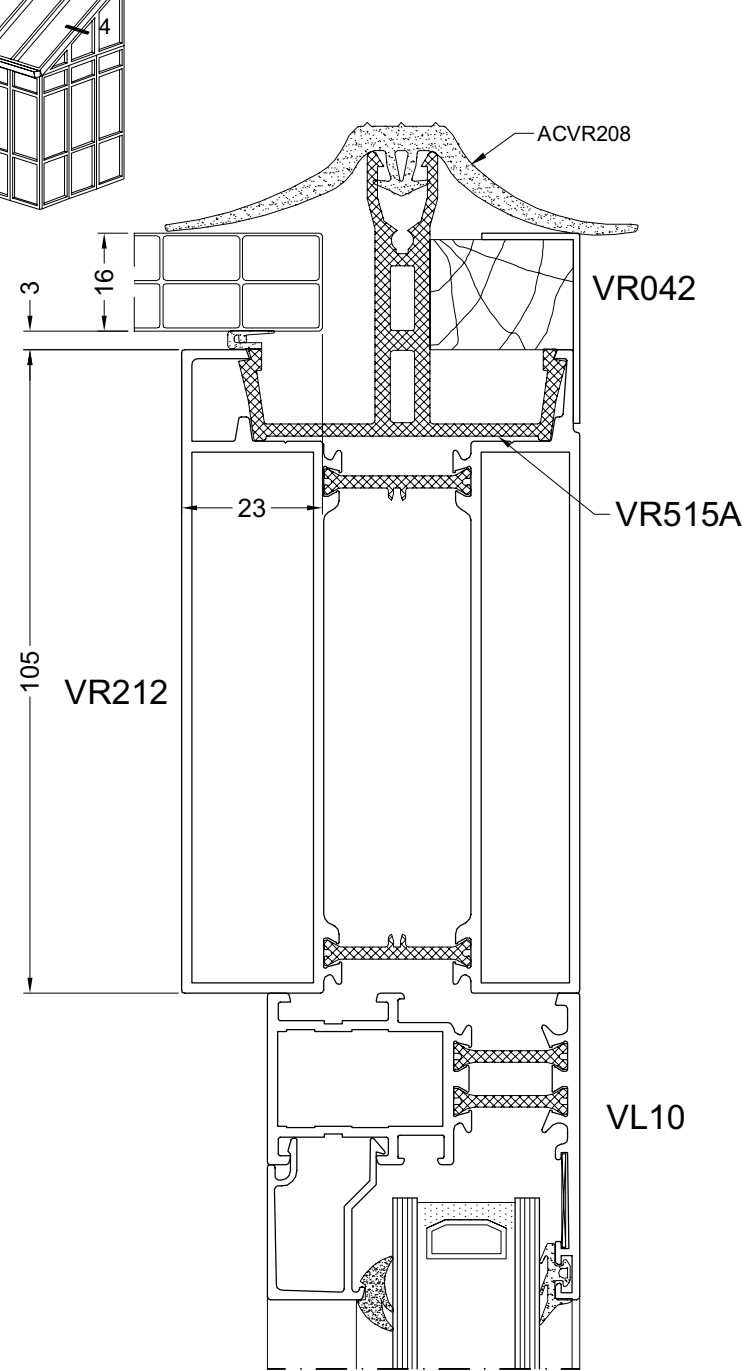
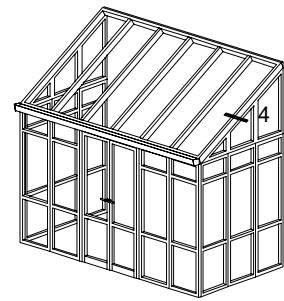




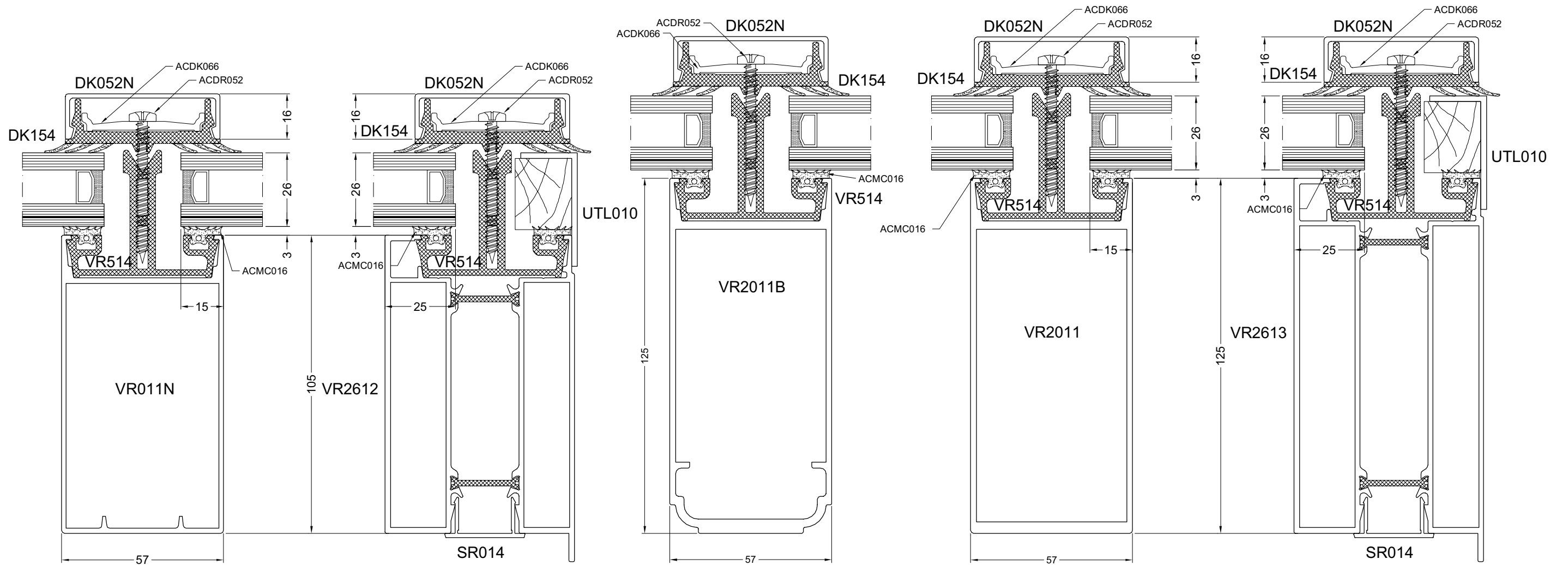
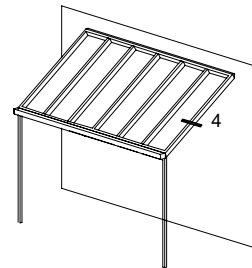
DOOR4a



door4b

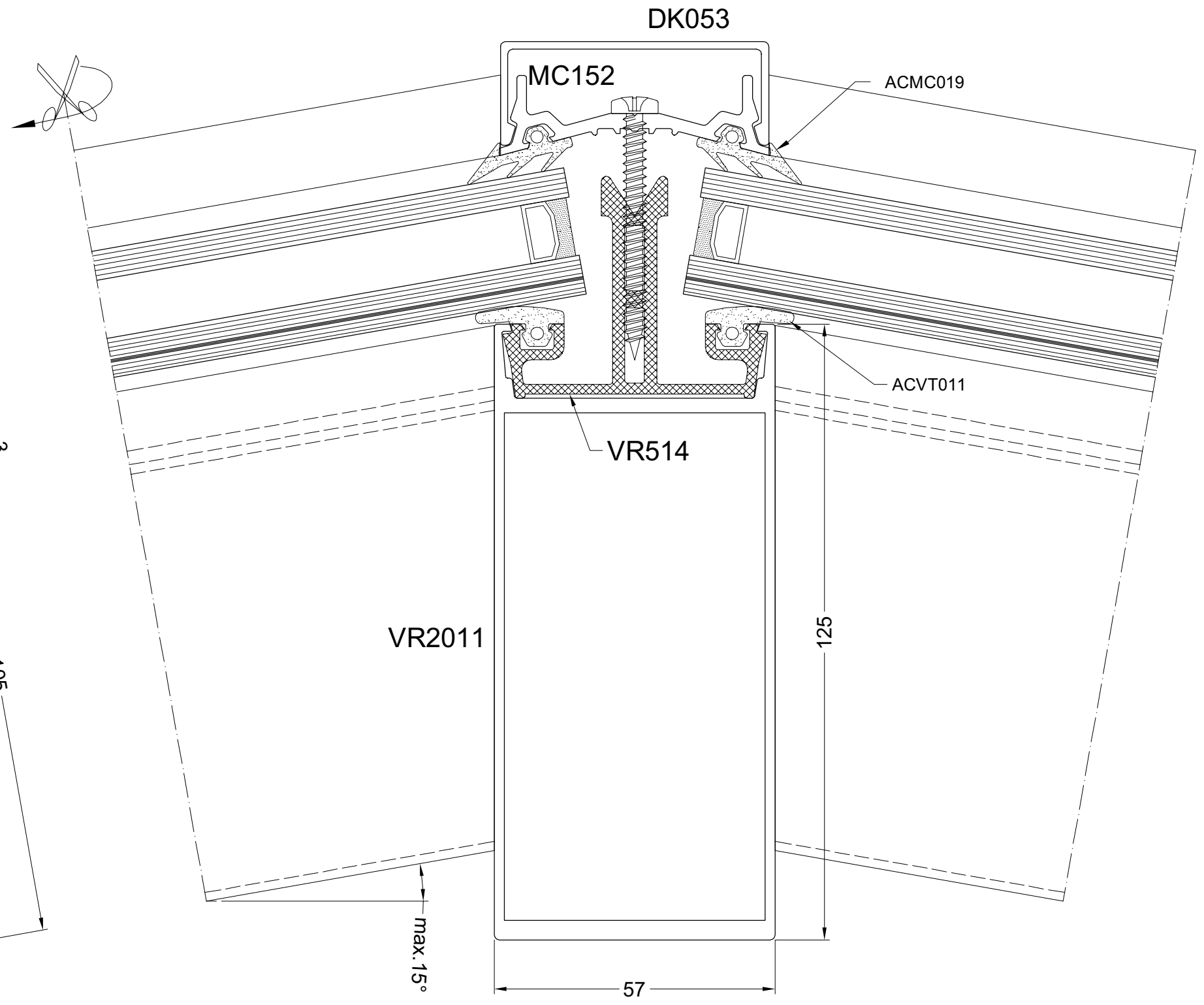
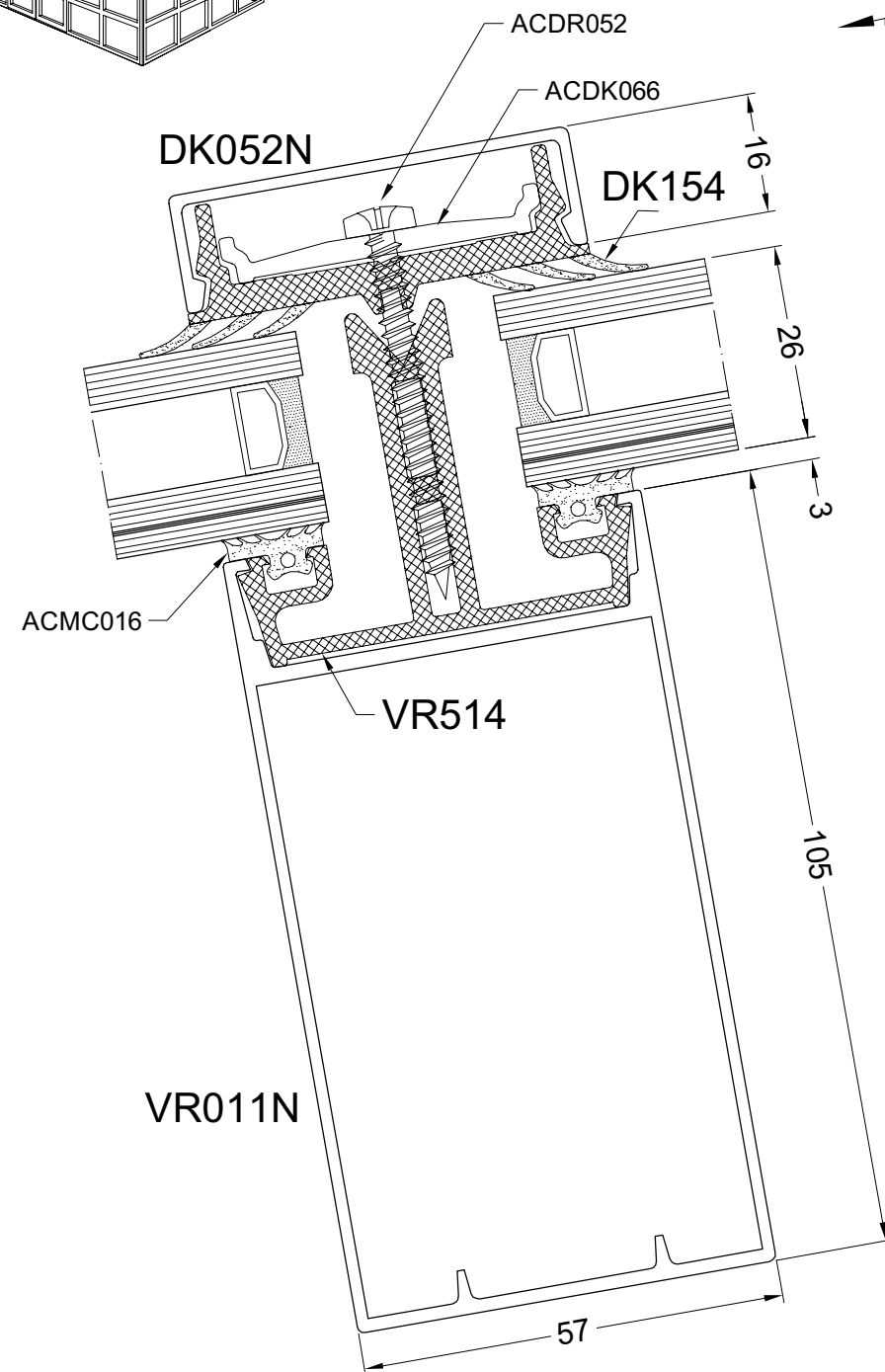
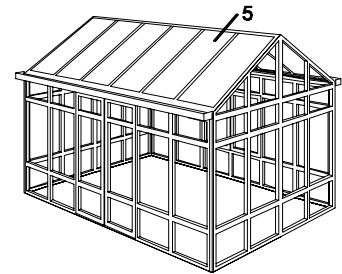


door4c

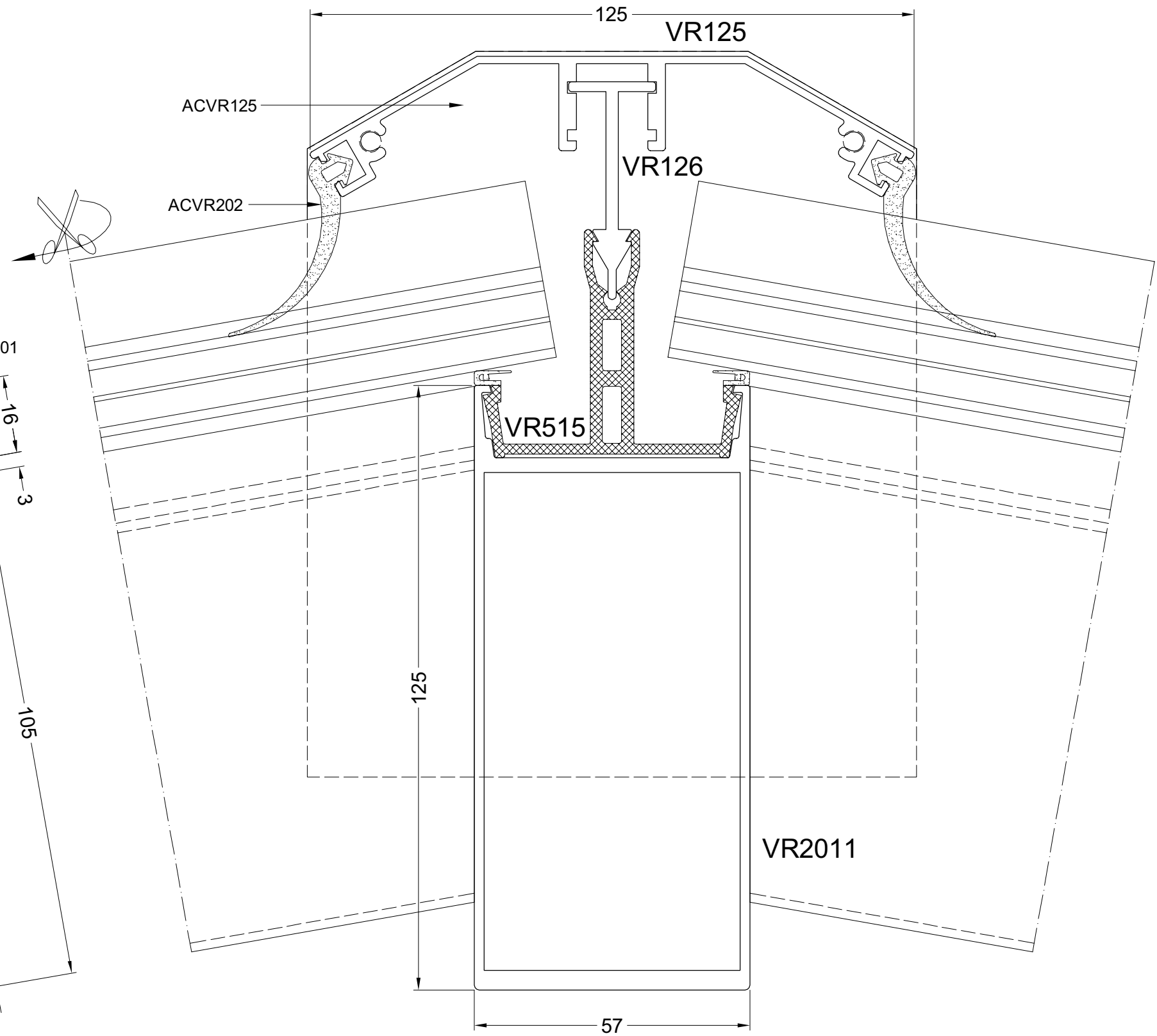
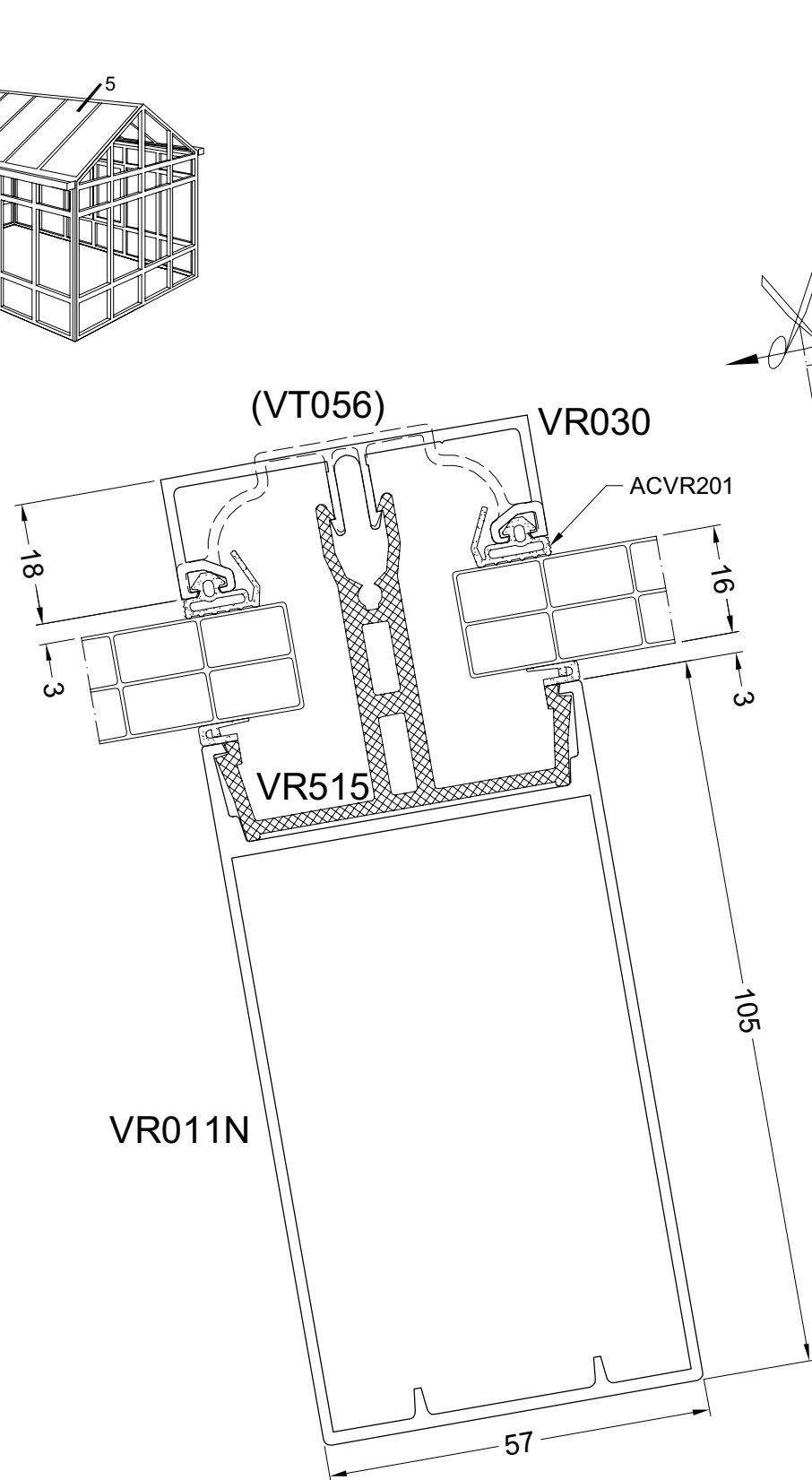
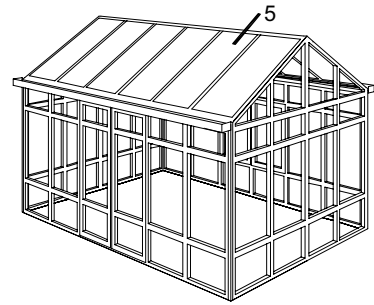


5A

DOORSNEDE - COUPE - SCHNITT - SECTION

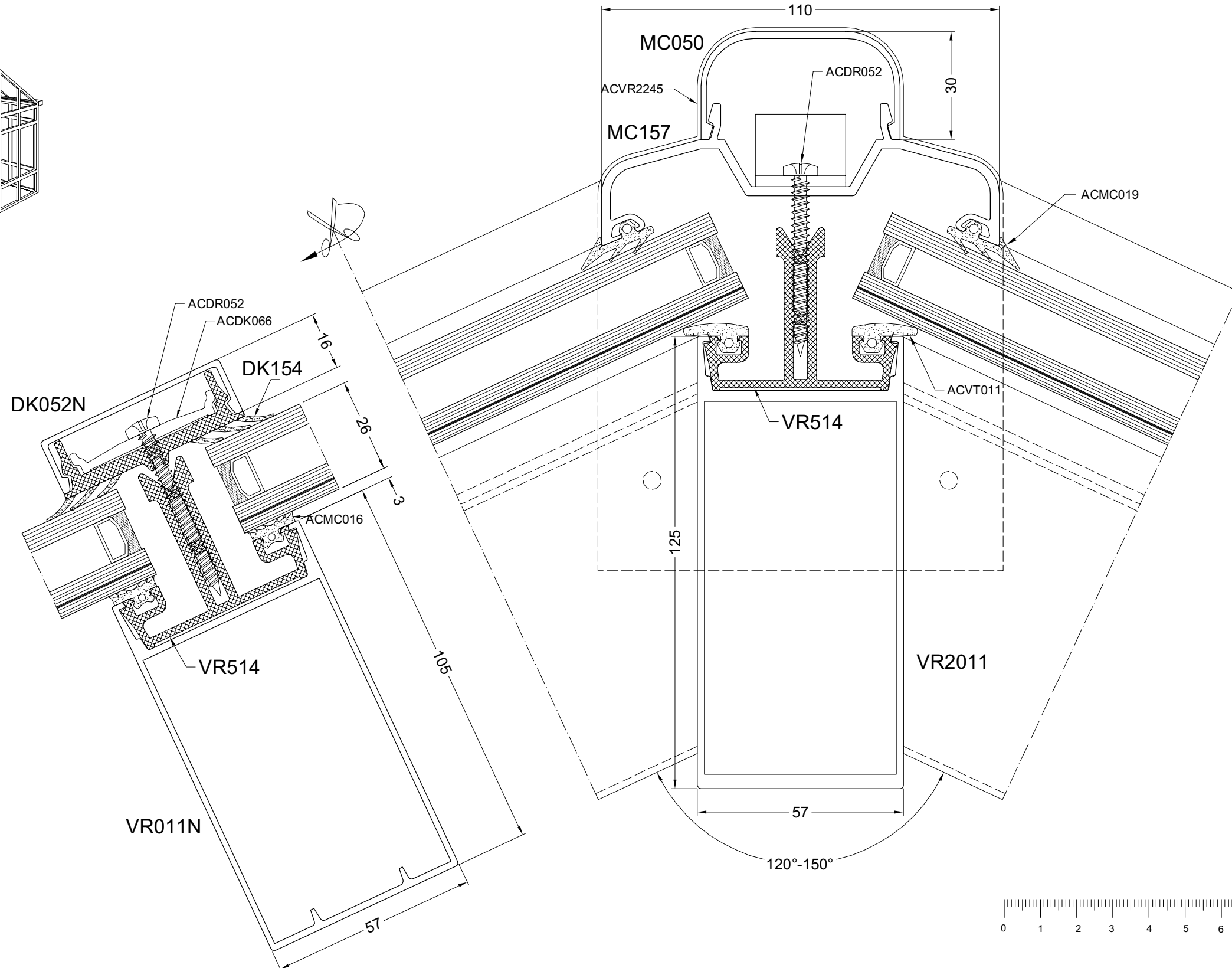
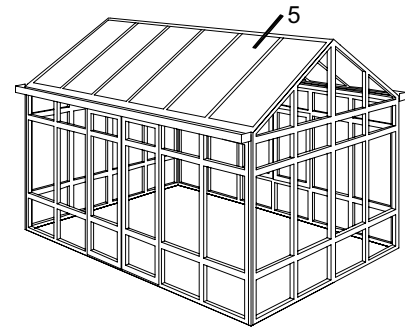


door5a

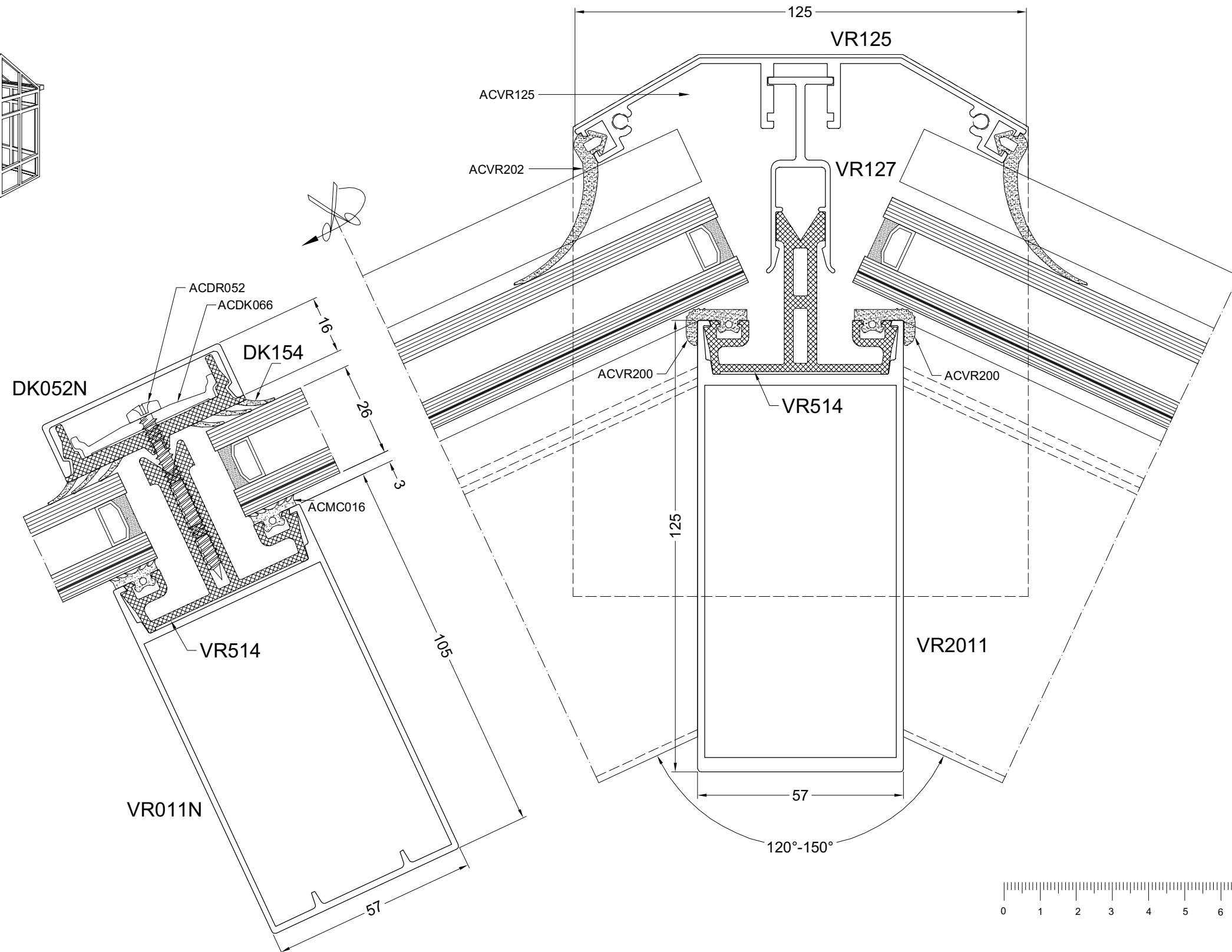
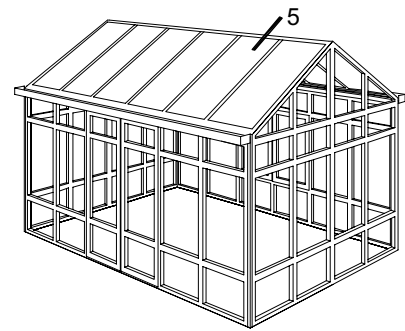


5C

DOORSNEDE - COUPE - SCHNITT - SECTION



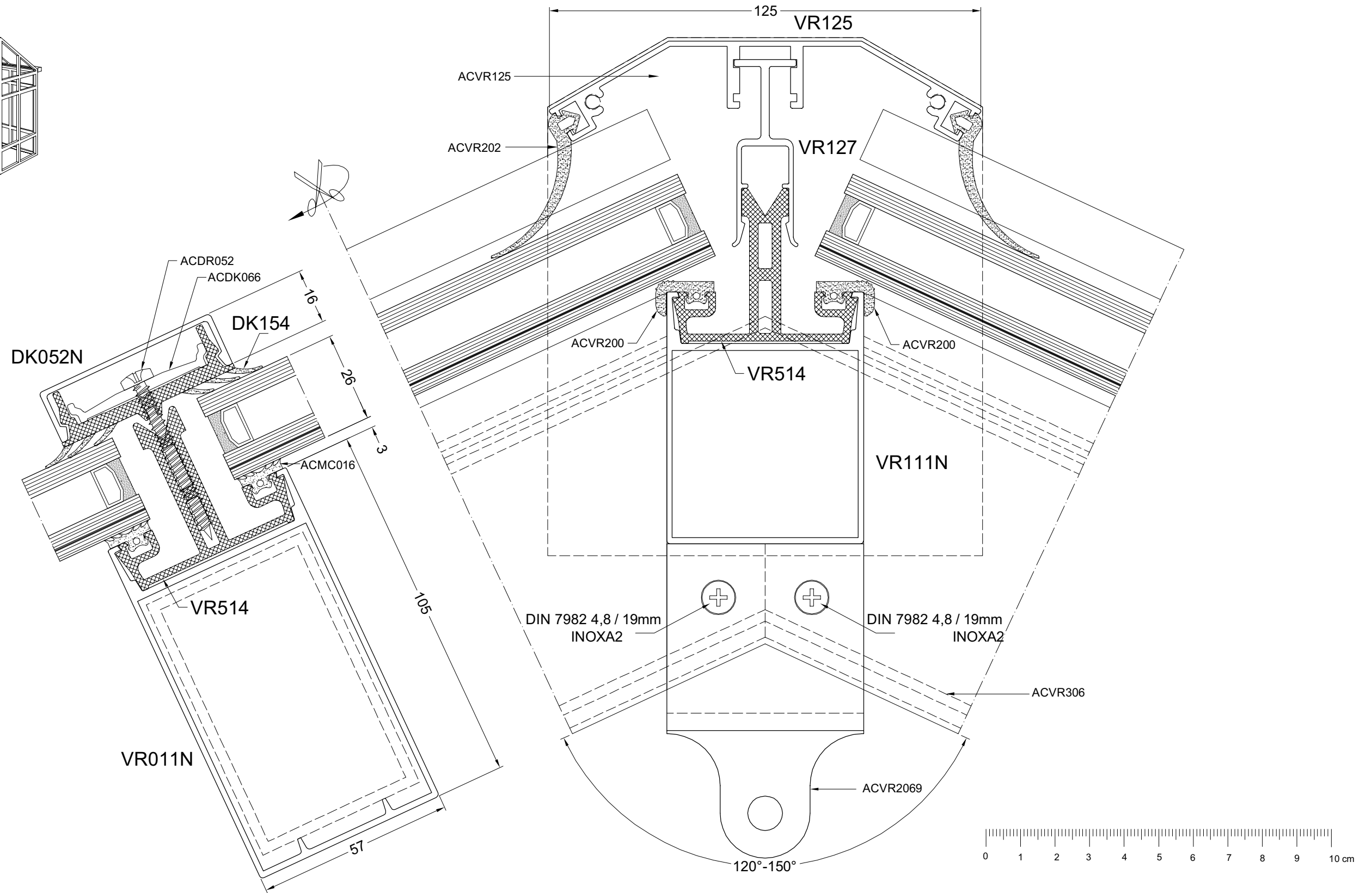
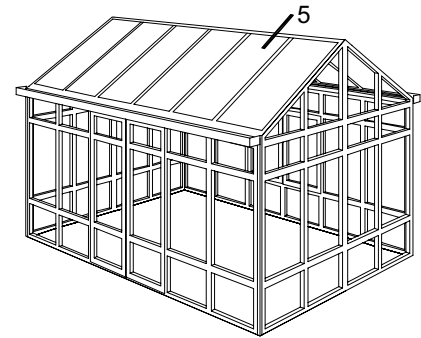
door5c



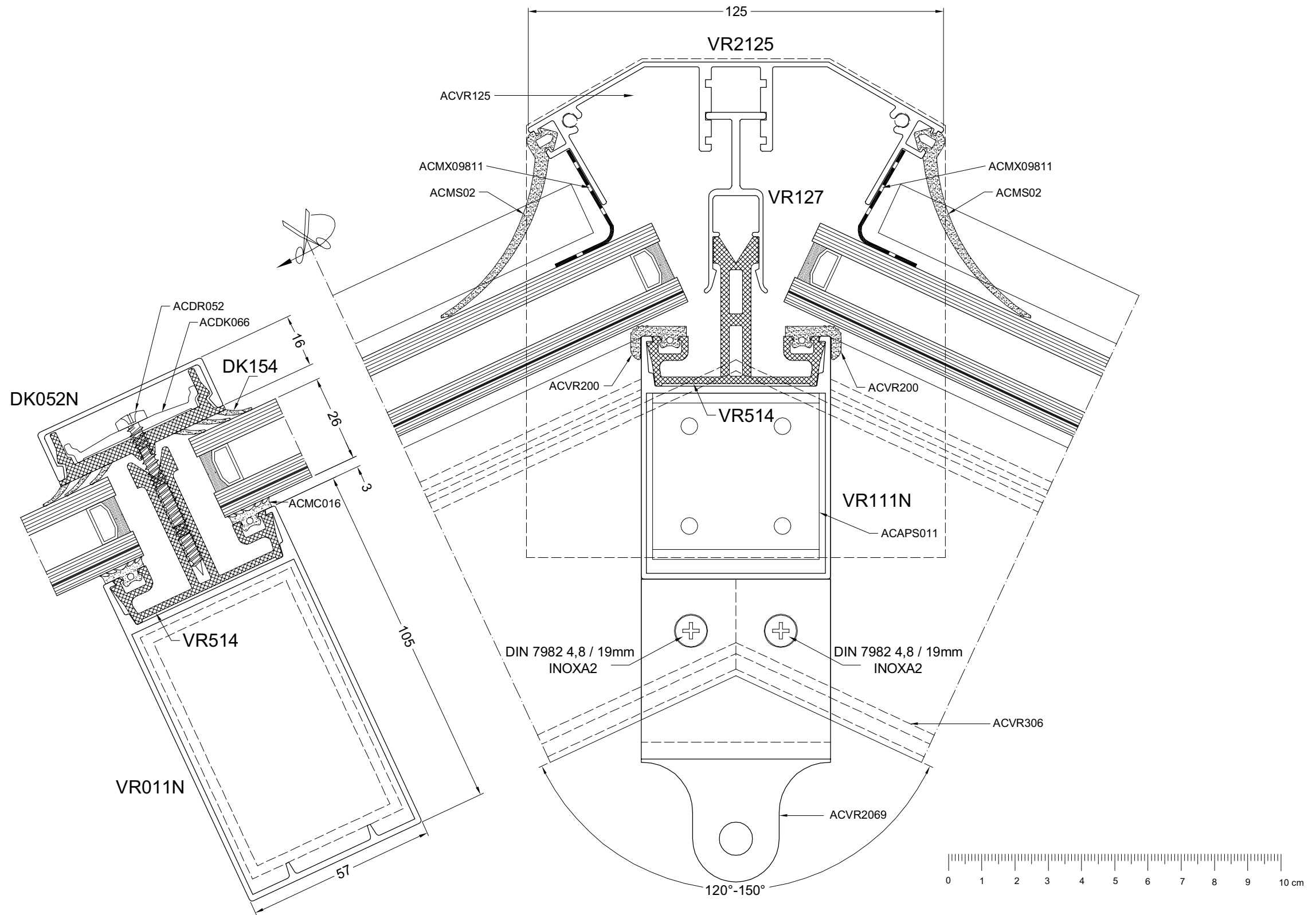
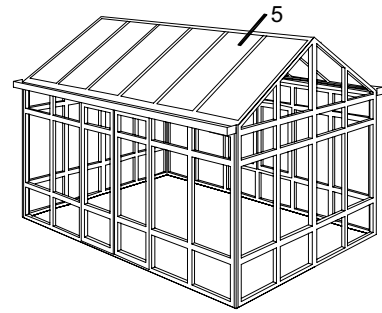
door5d

5E

DOORSNEDE - COUPE - SCHNITT - SECTION

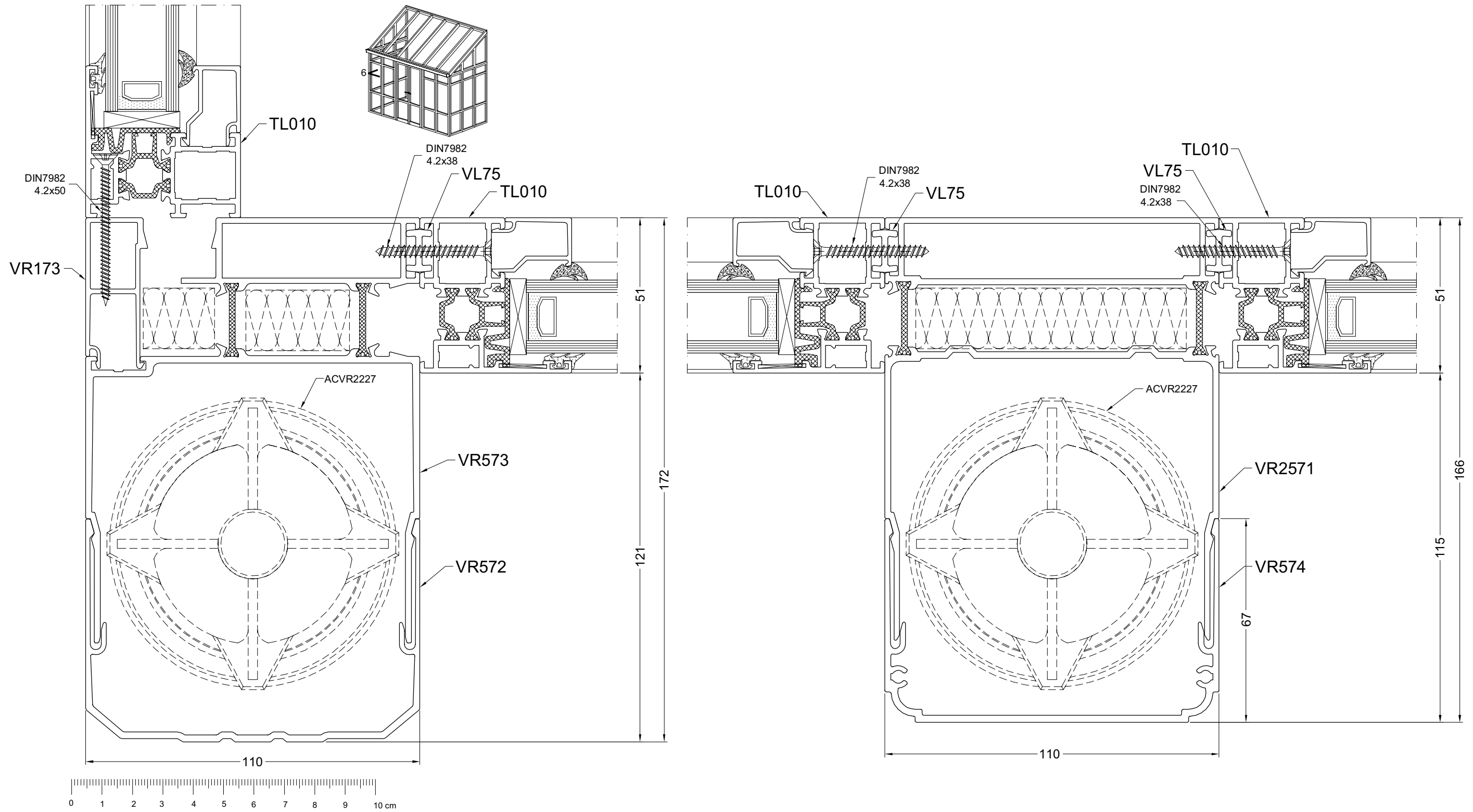


door5e

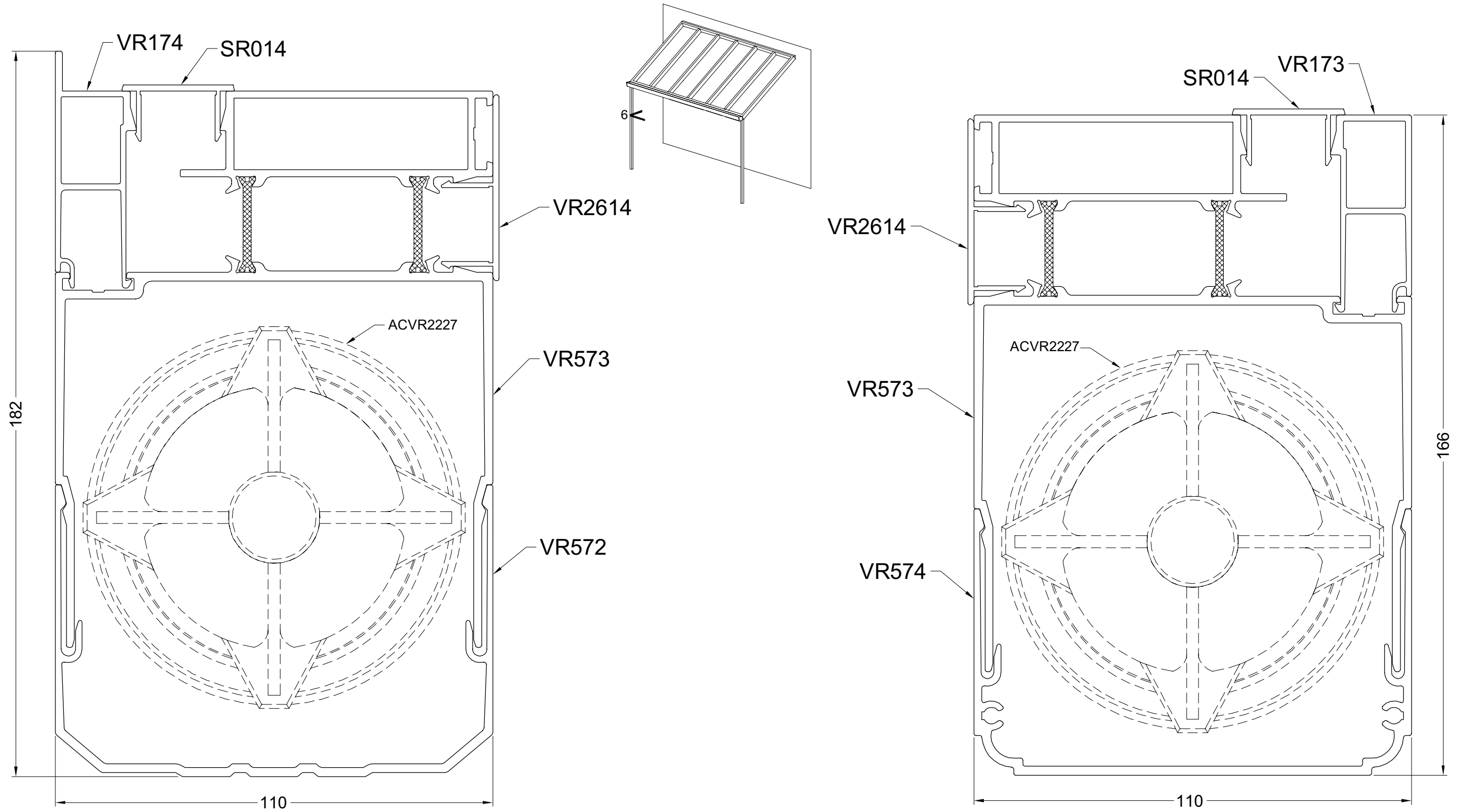


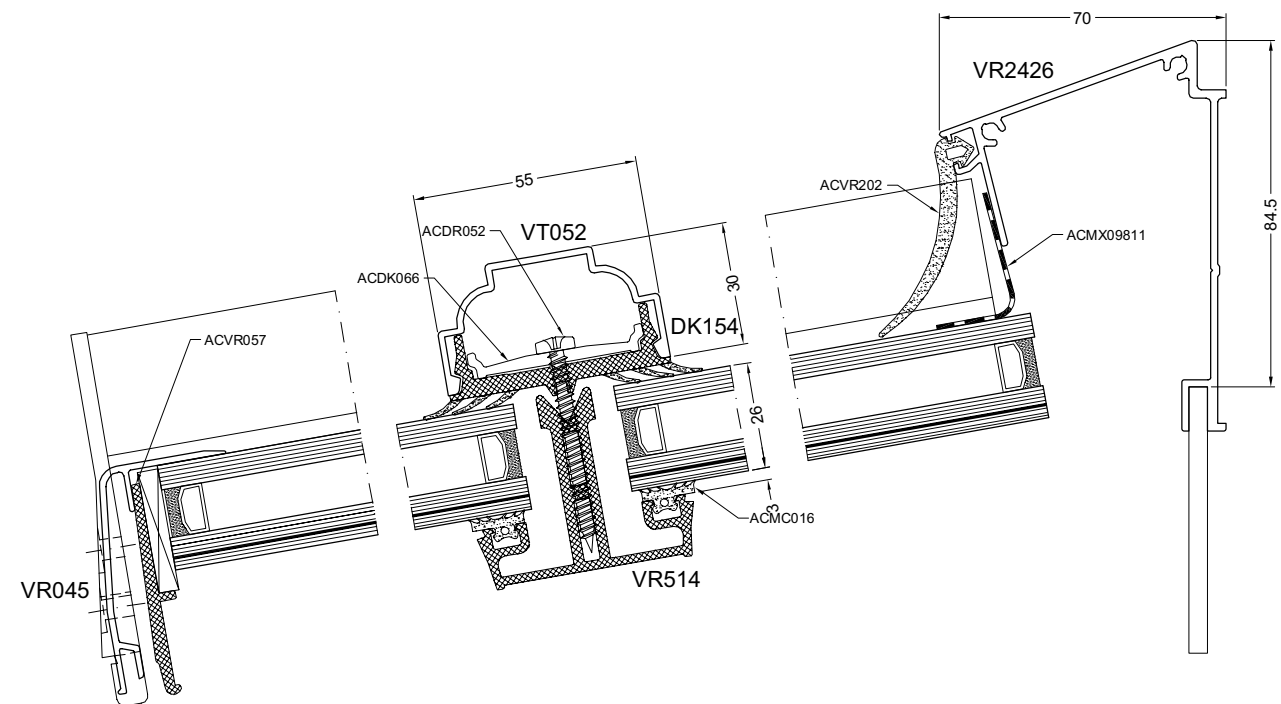
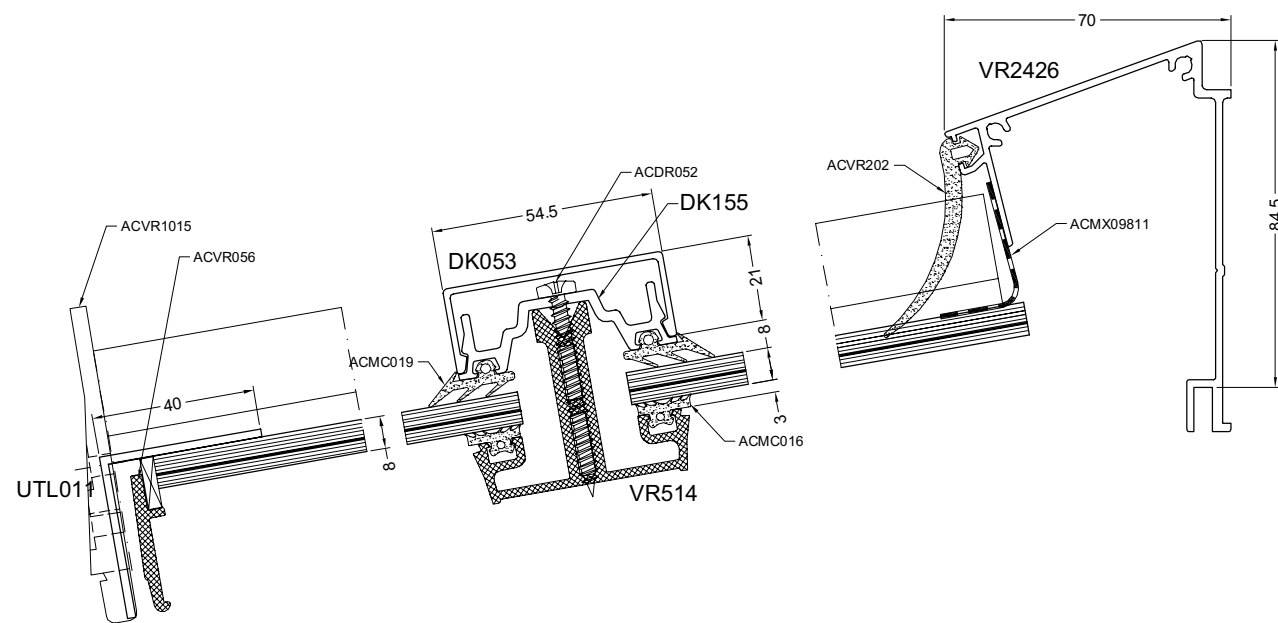
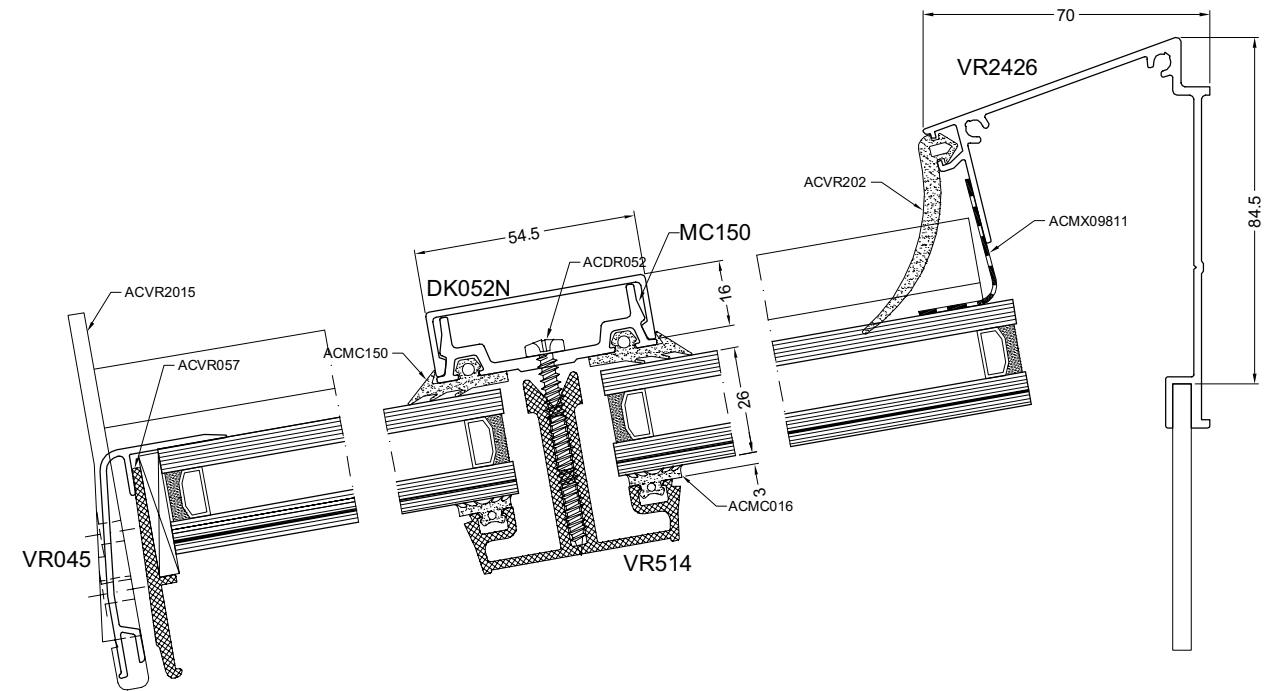
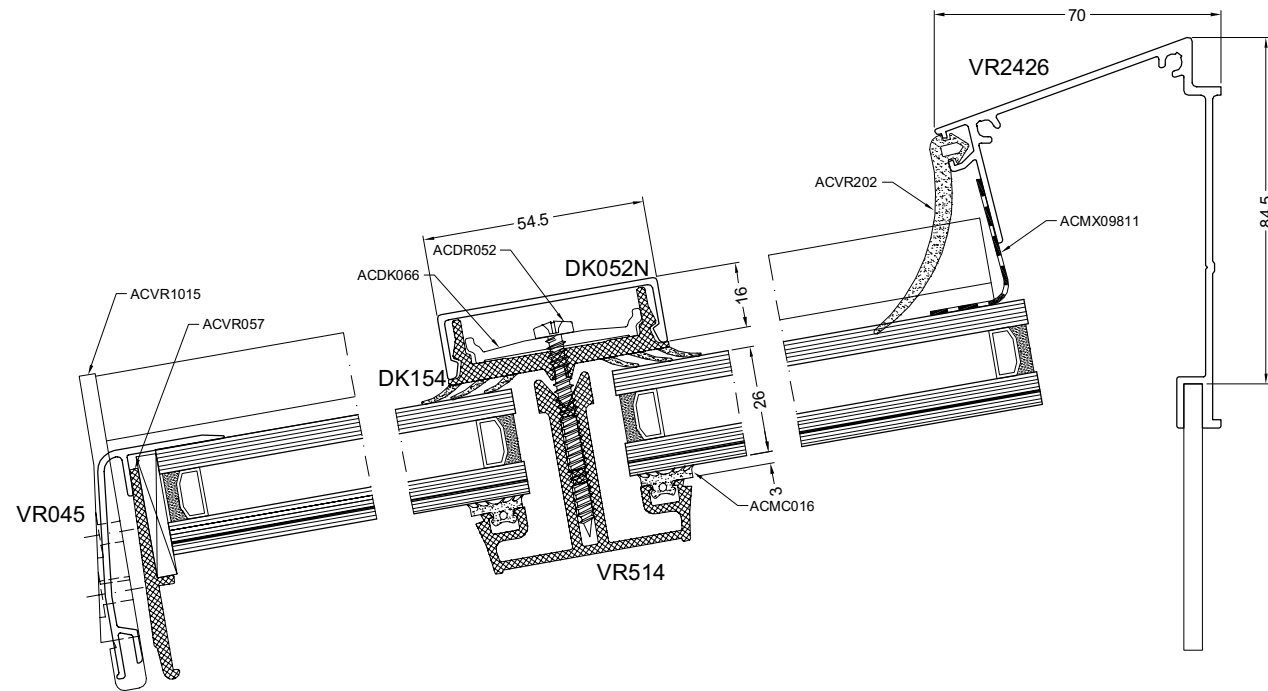
6A

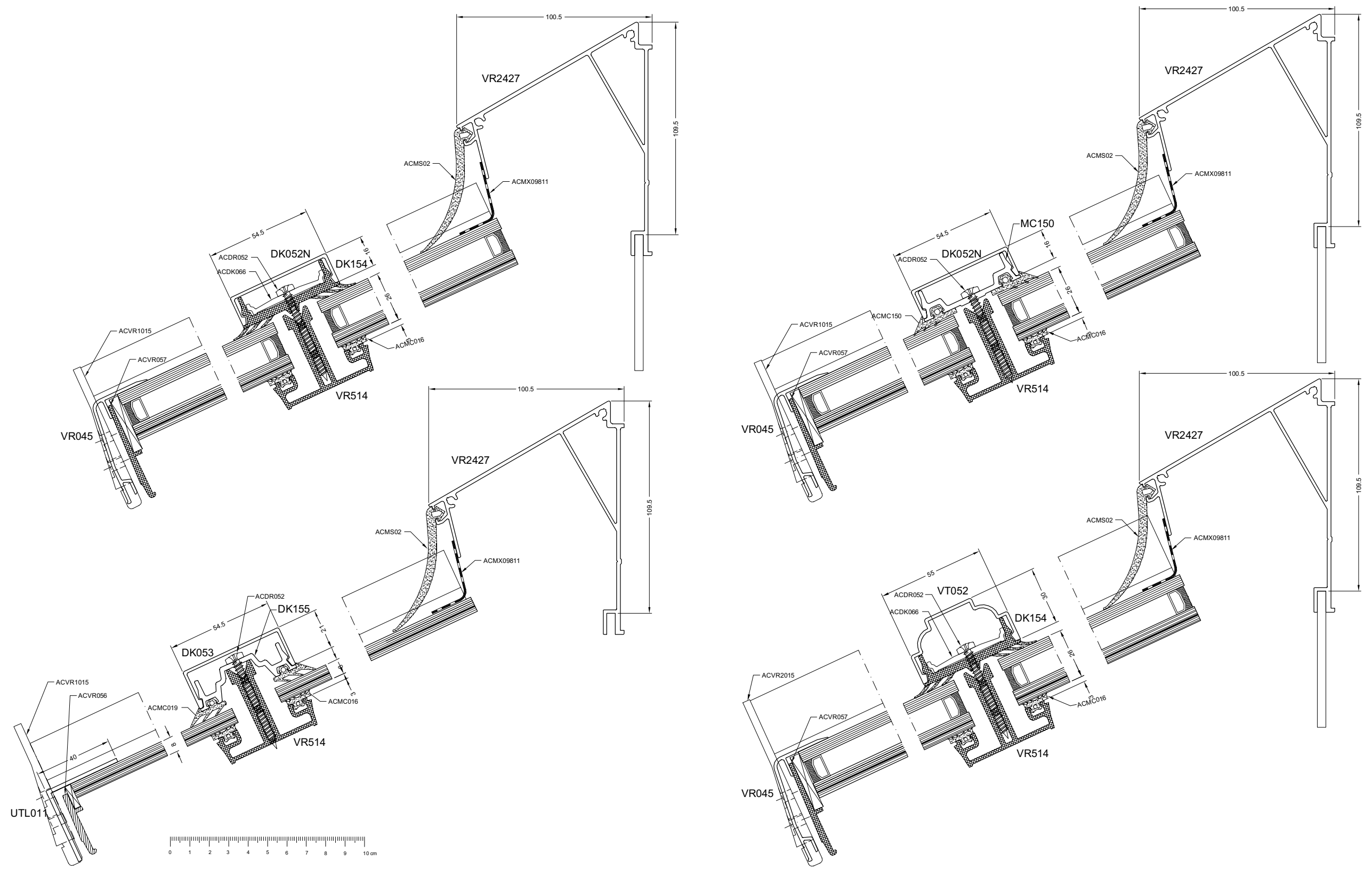
DOORSNEDE - COUPE - SCHNITT - SECTION



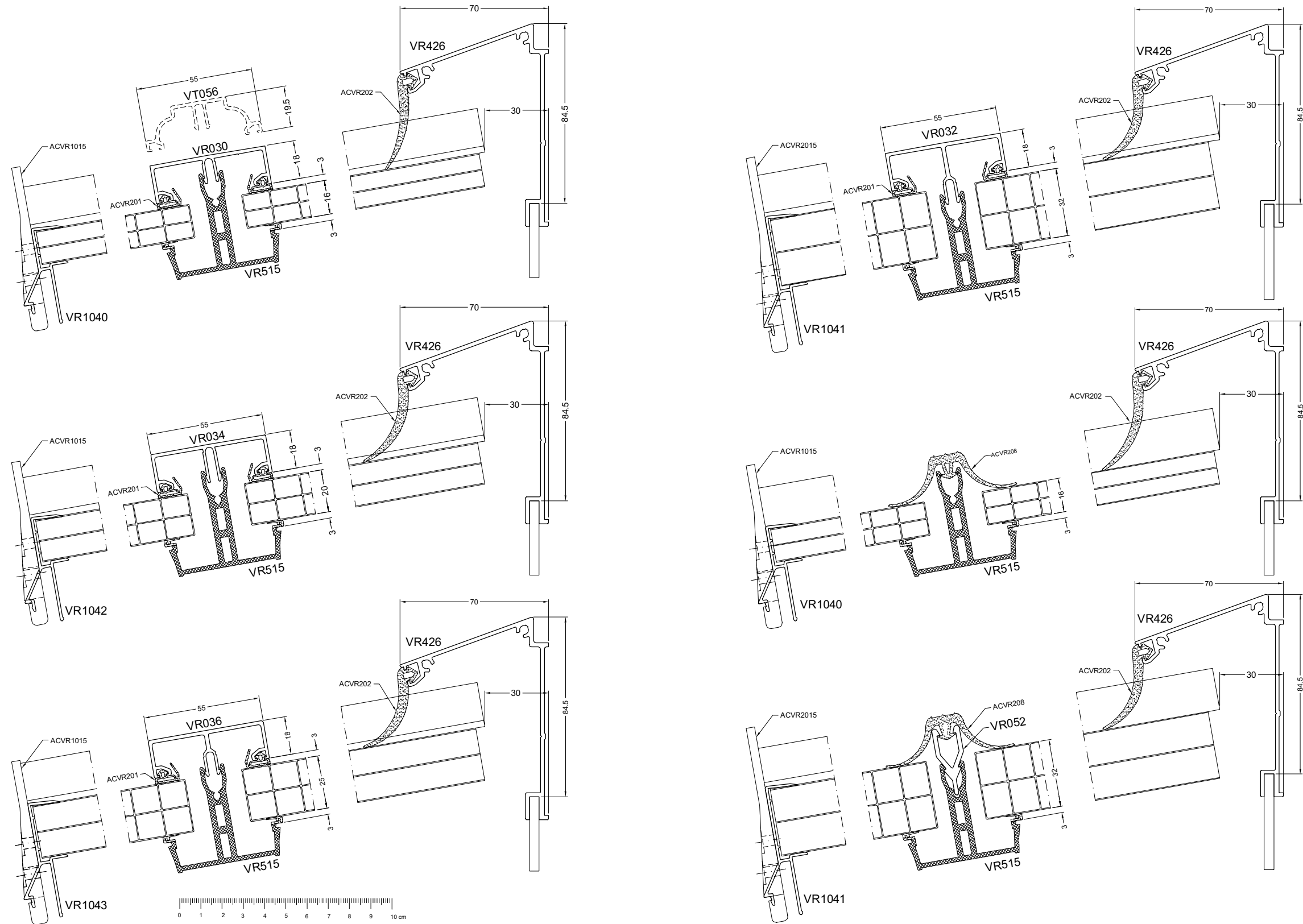
DOOR6

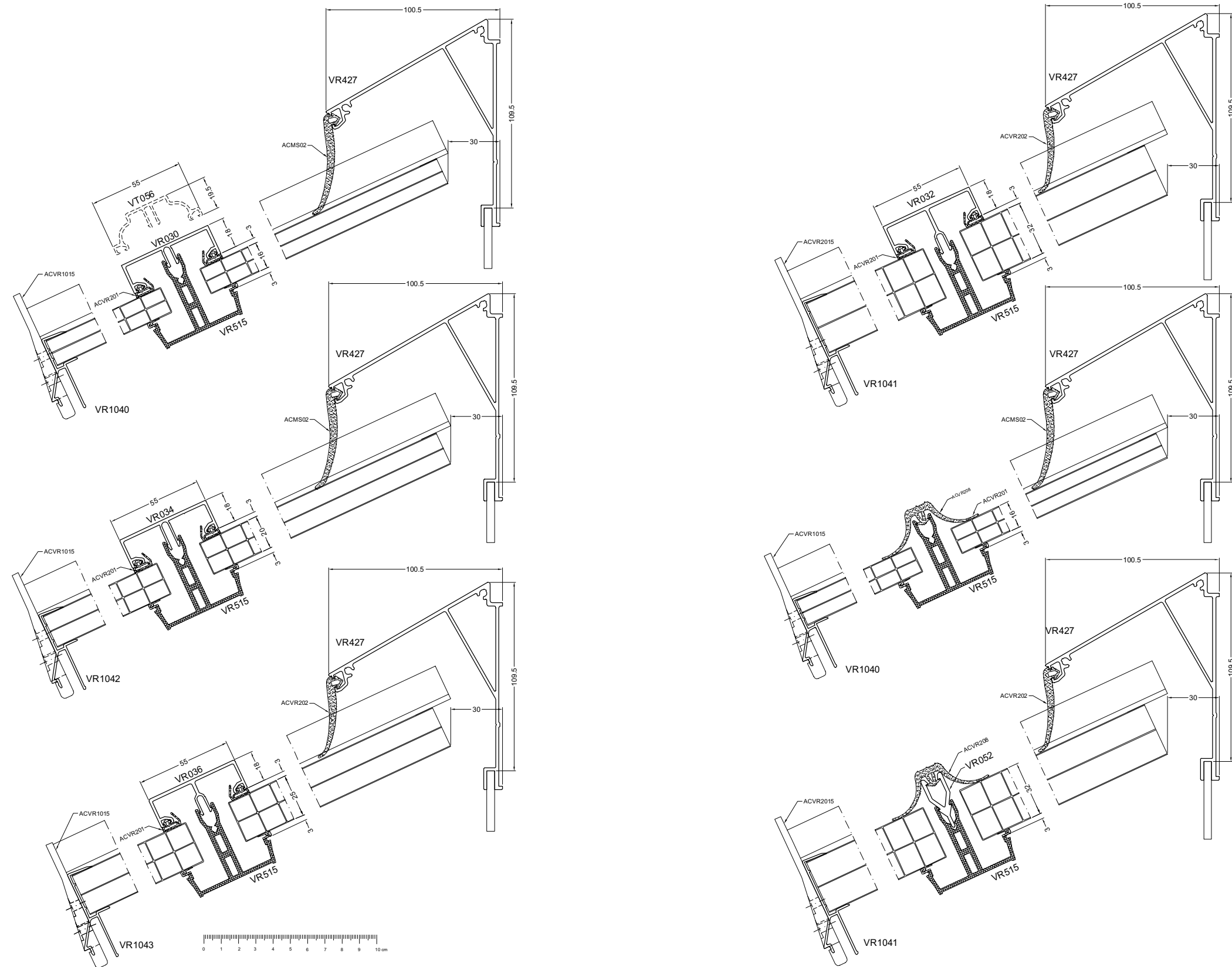




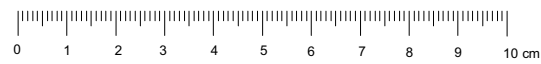
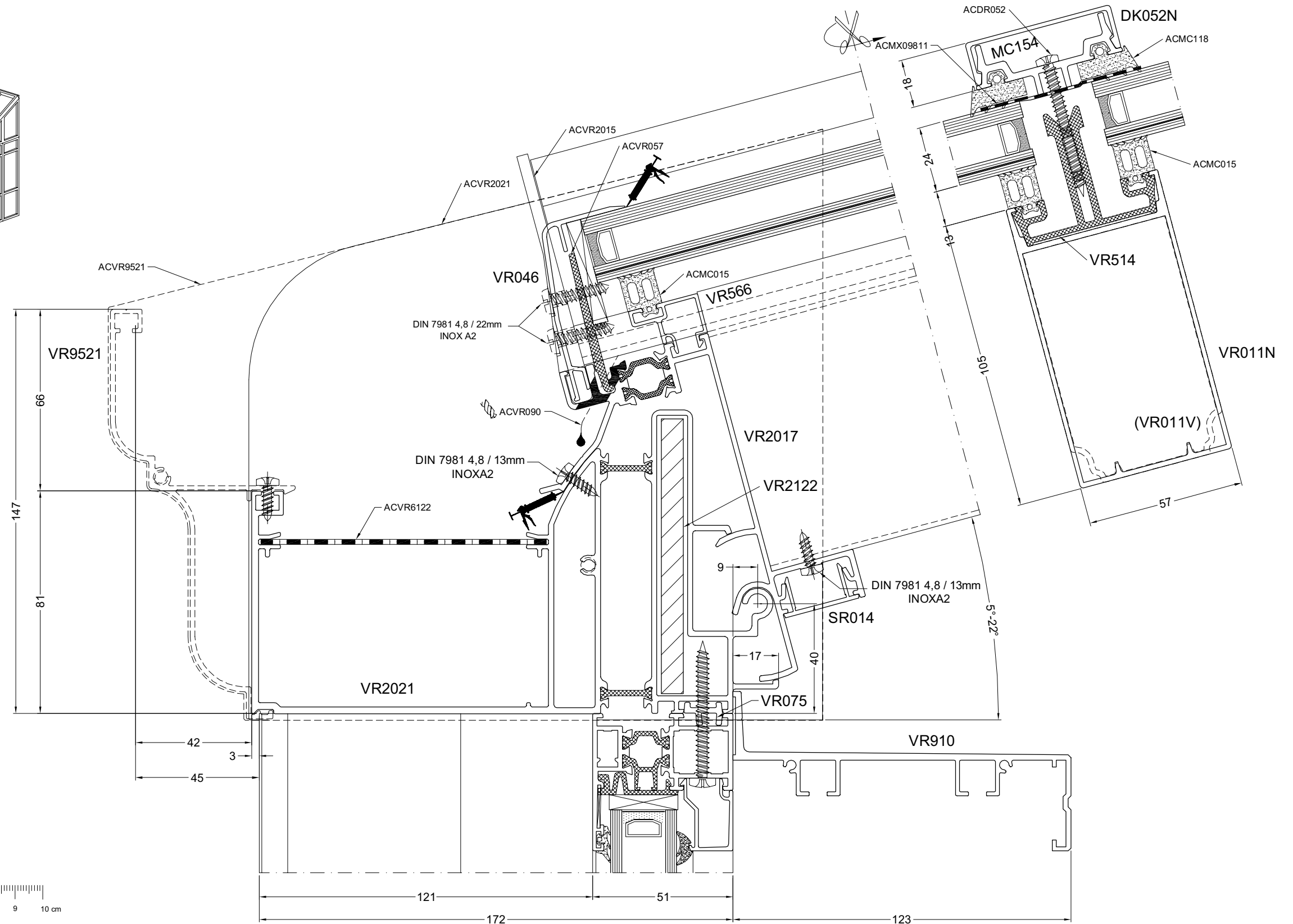
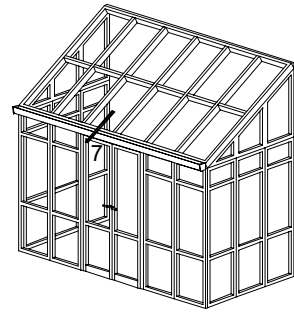


overzgt





overzpc1

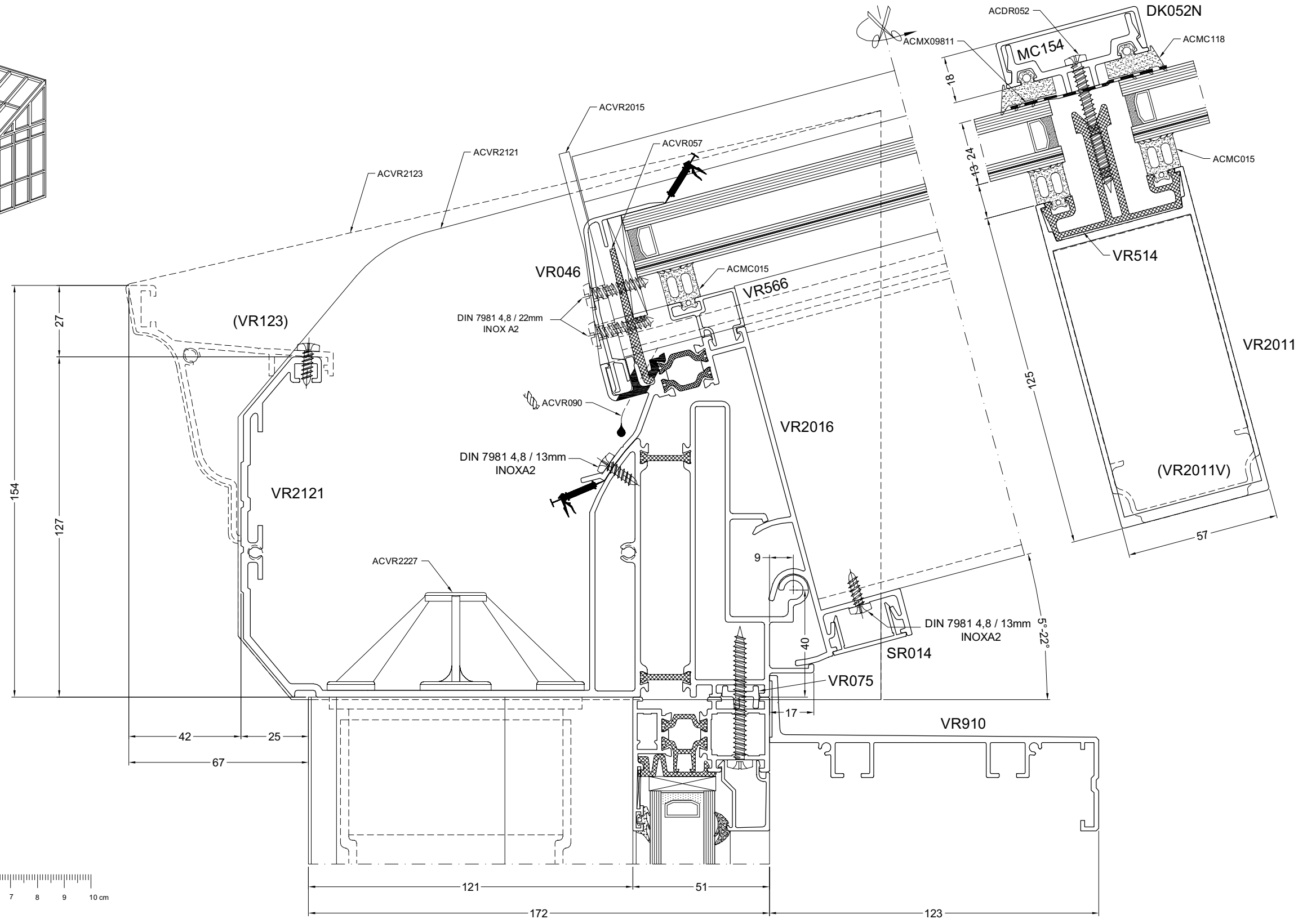
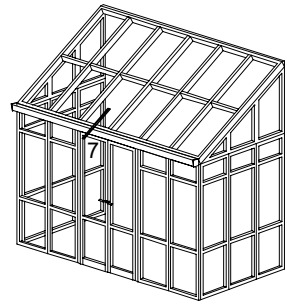


door10a

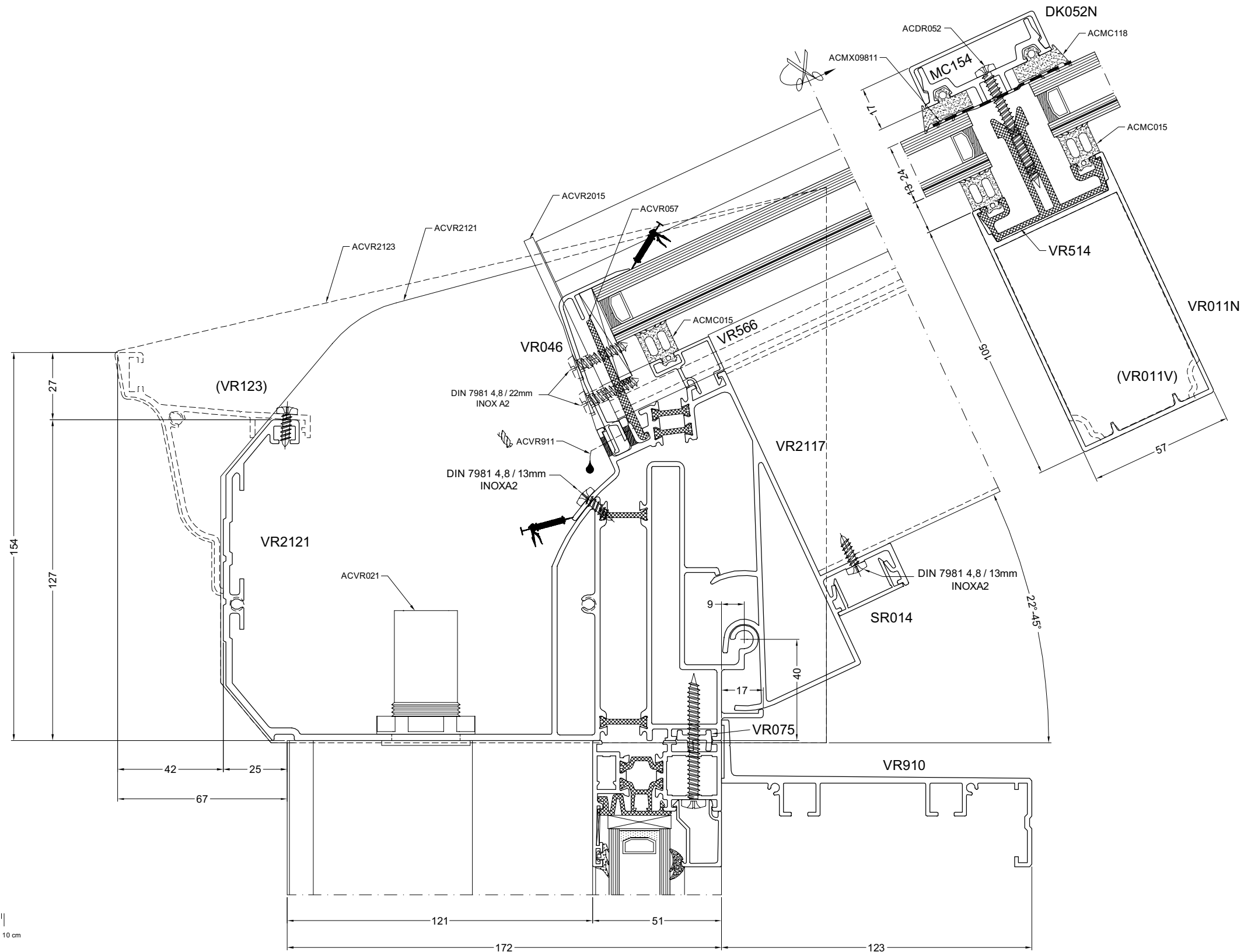
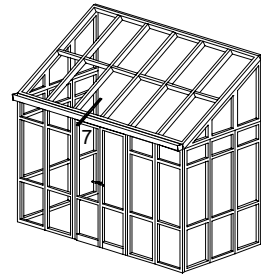
7B

5°-22°

DOORSNEDE - COUPE - SCHNITT - SECTION



door10b

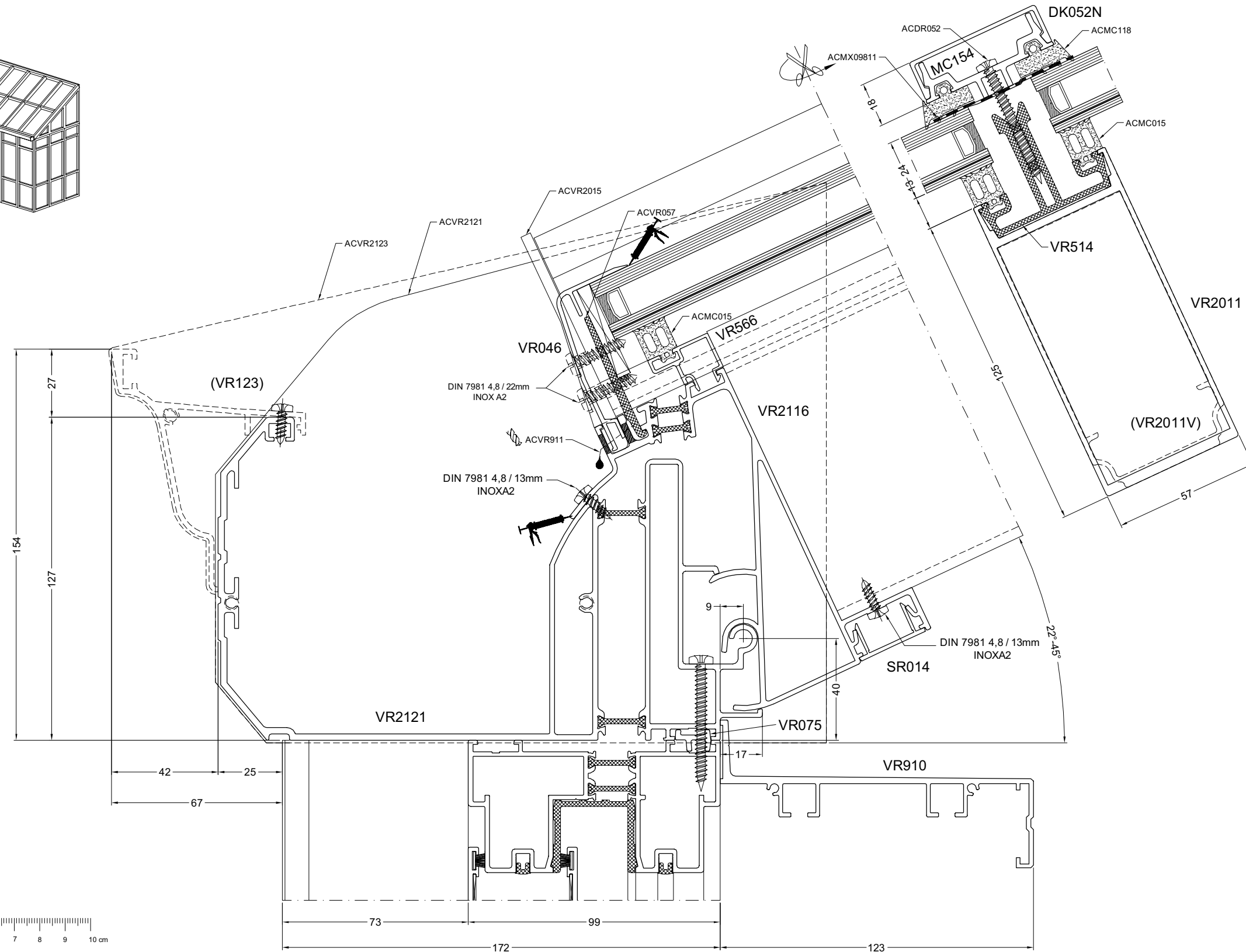
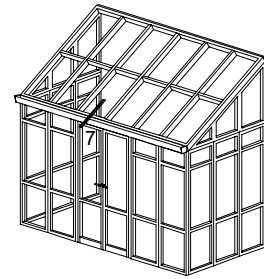


door10c

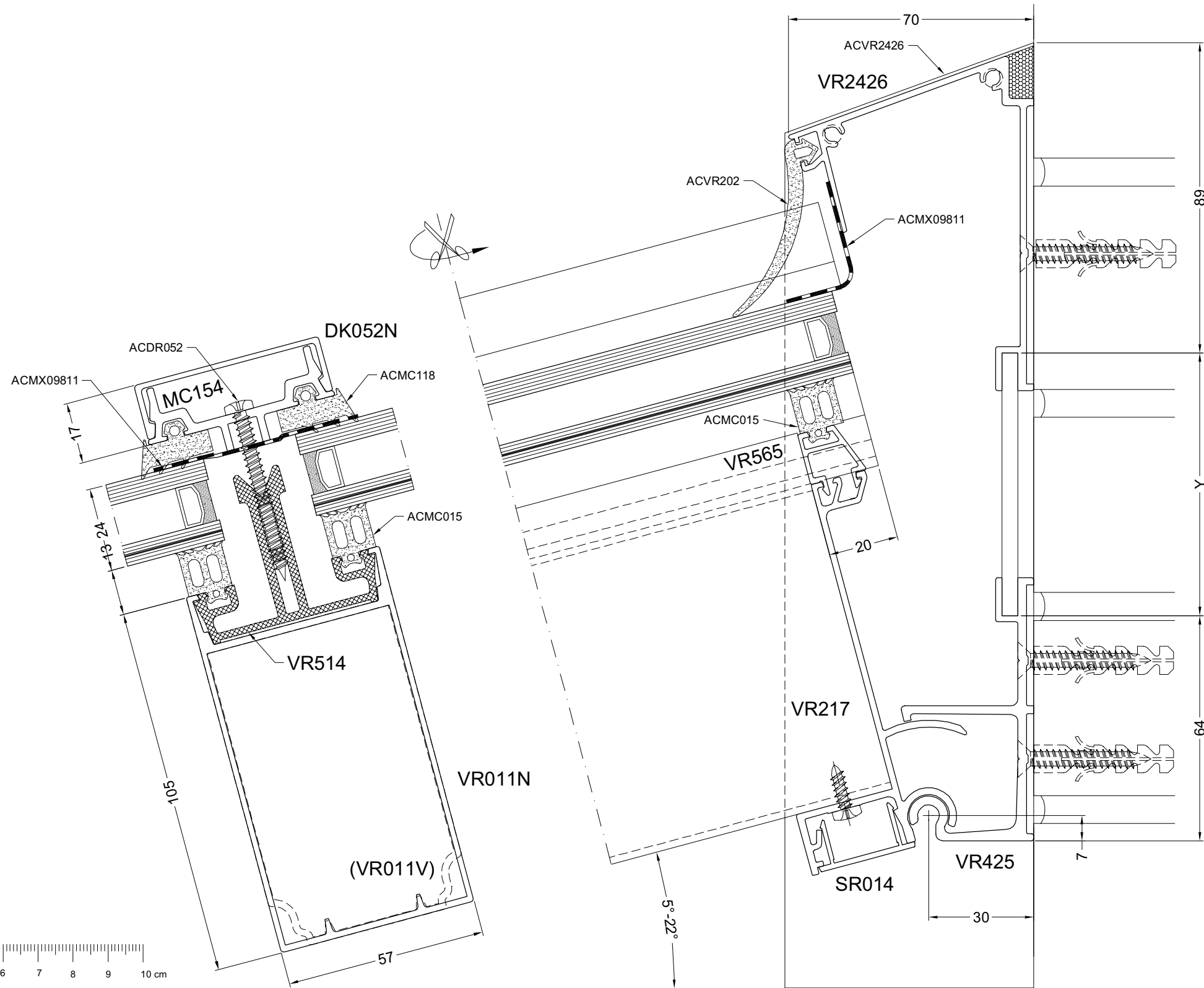
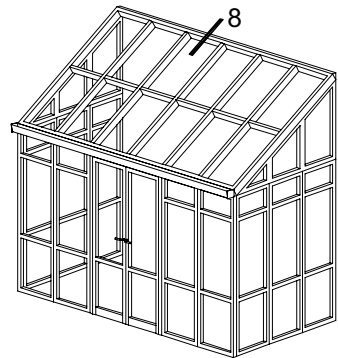
7D

22°-45°

DOORSNEDE - COUPE - SCHNITT - SECTION



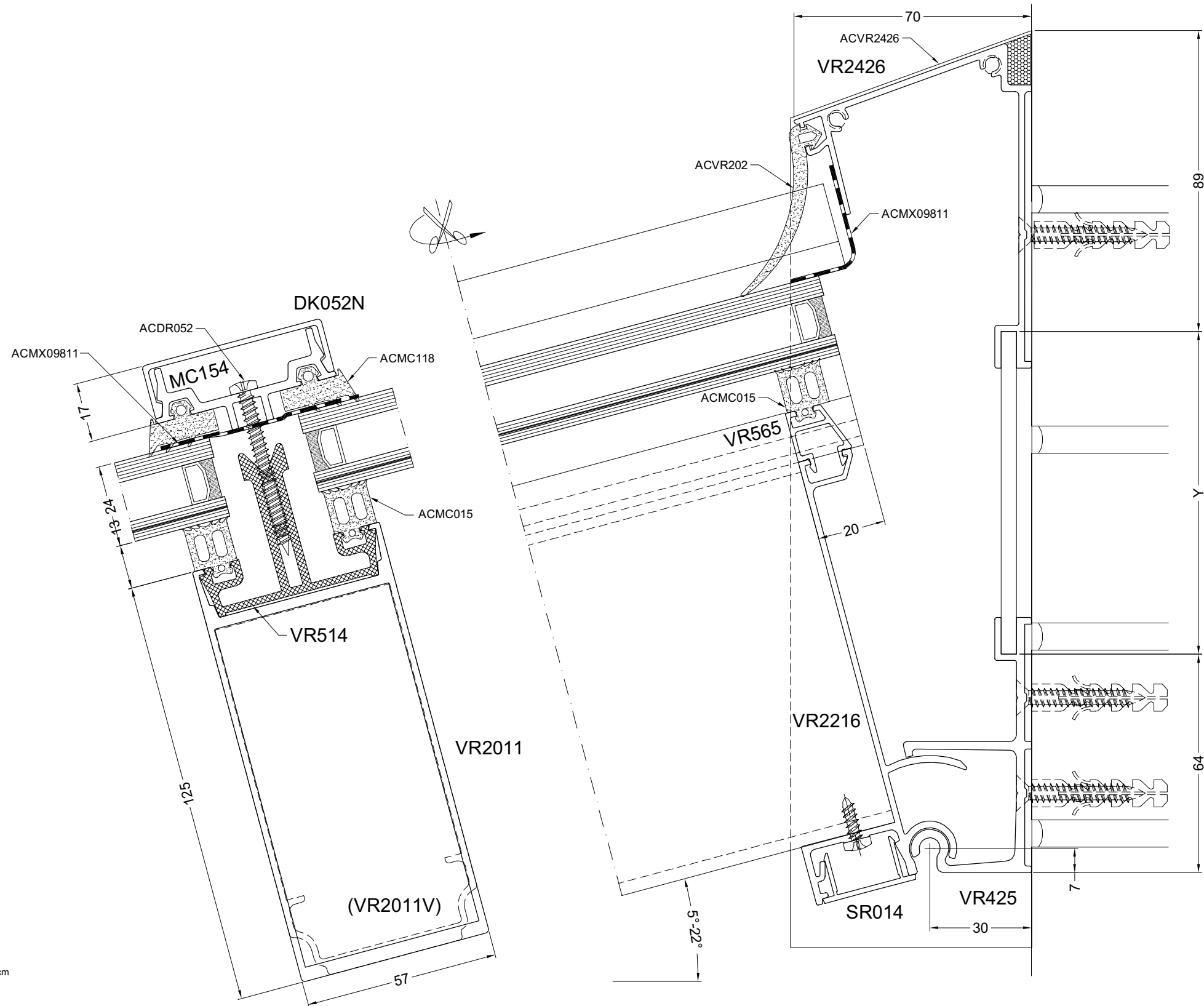
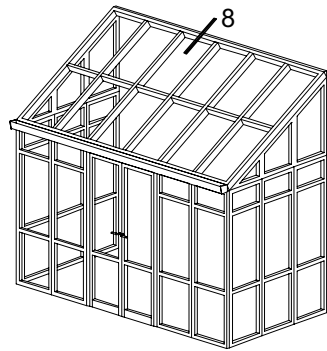
door10d



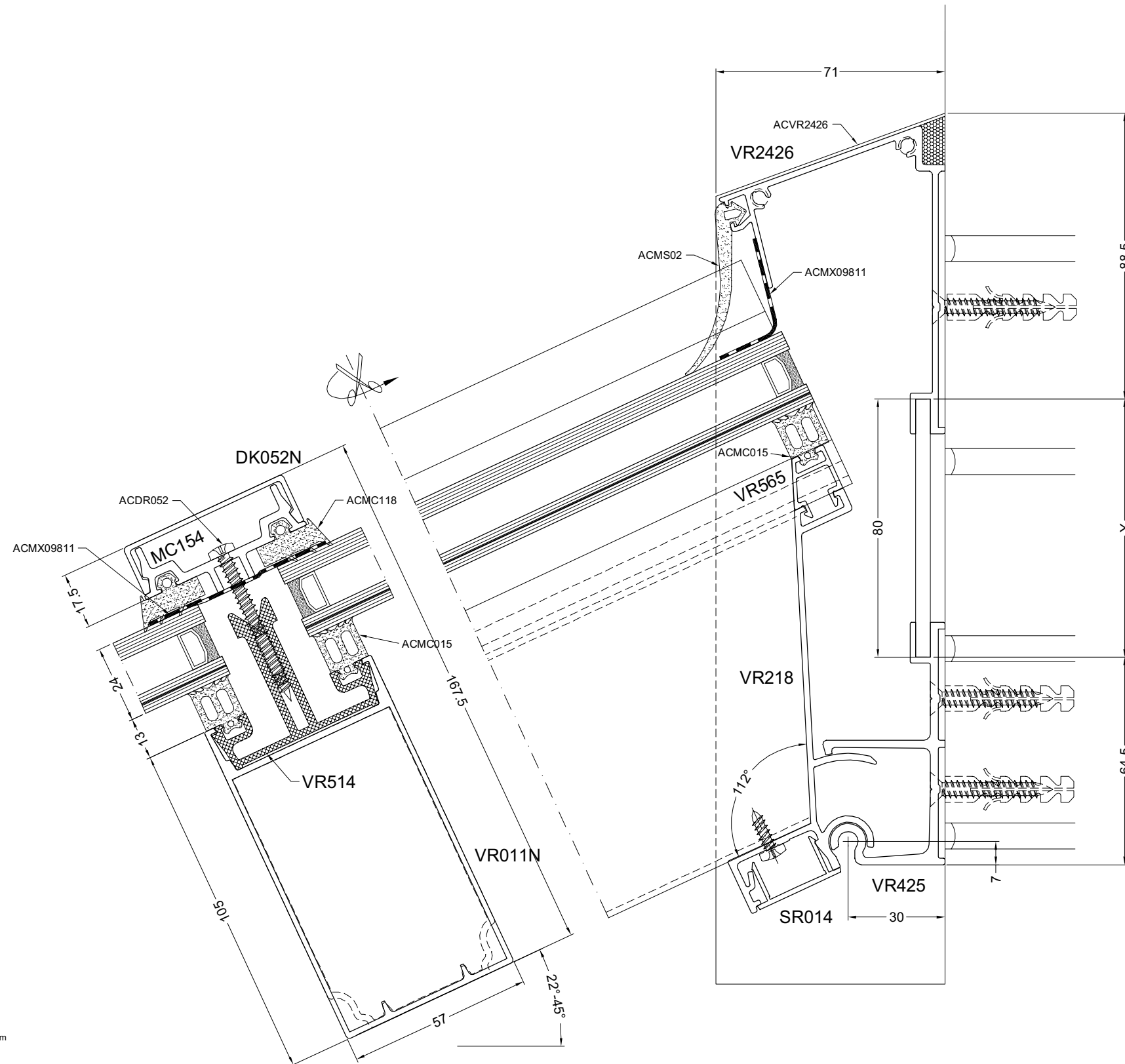
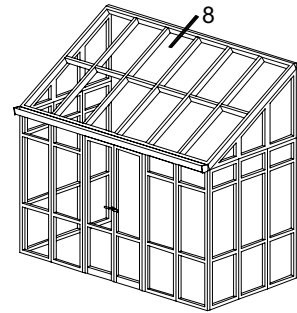
8B

5°-22°

DOORSNEDE - COUPE - SCHNITT - SECTION



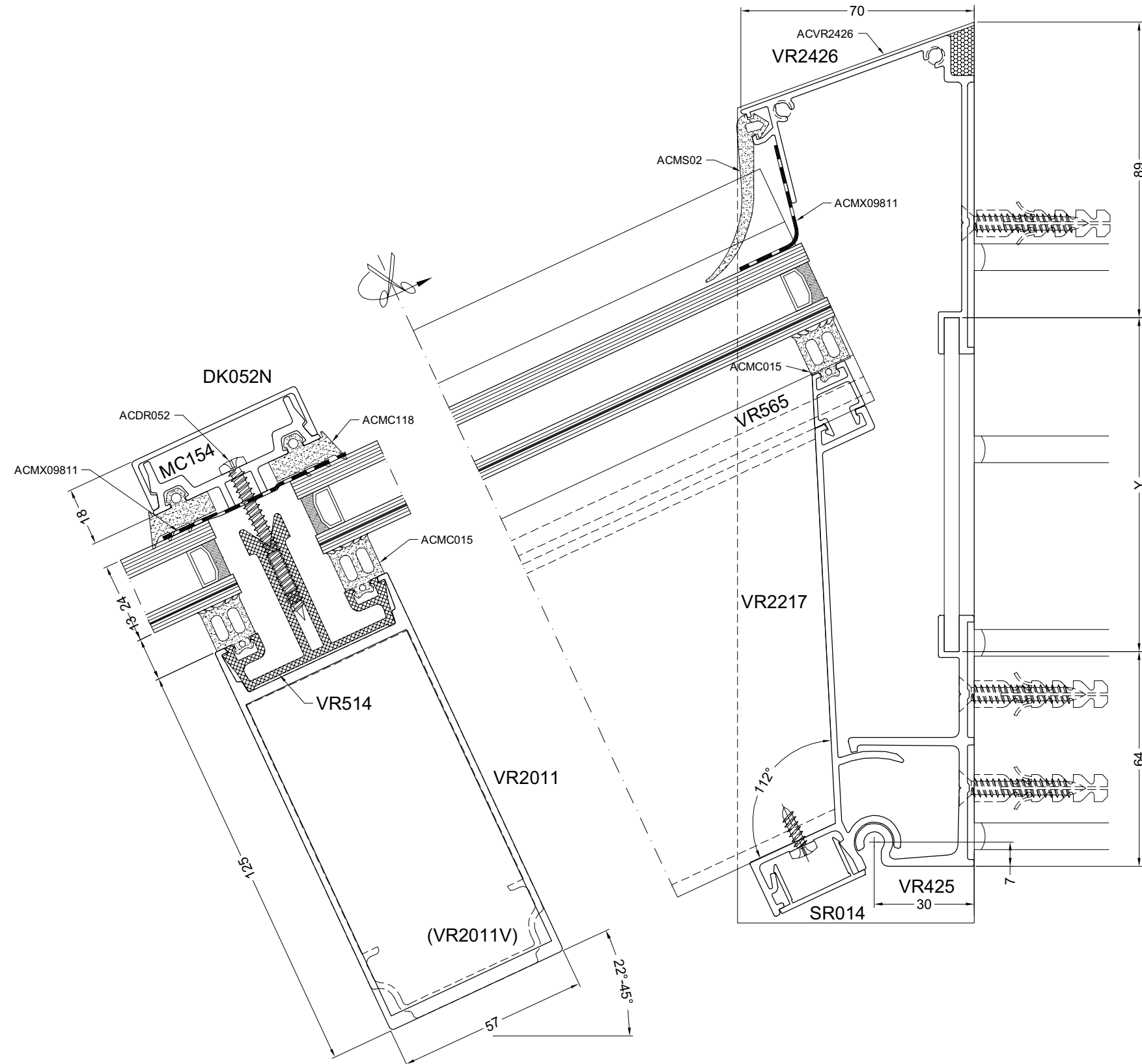
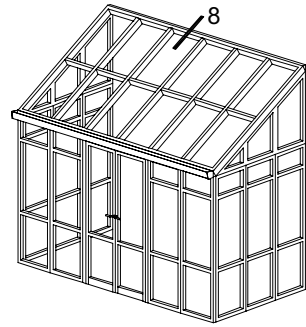
door11b



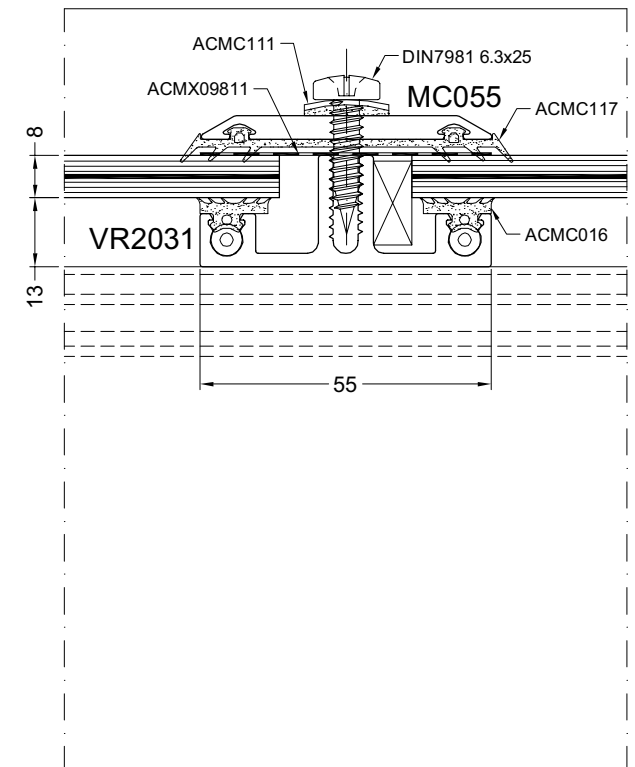
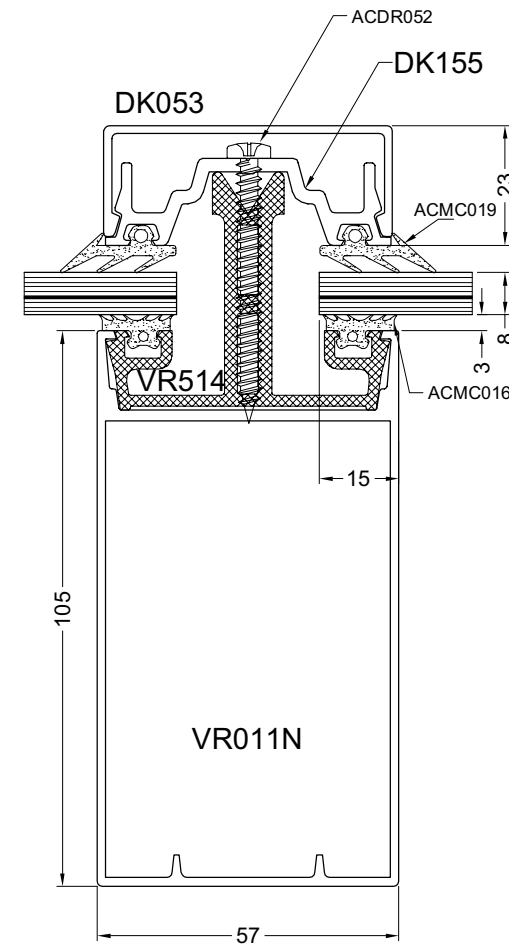
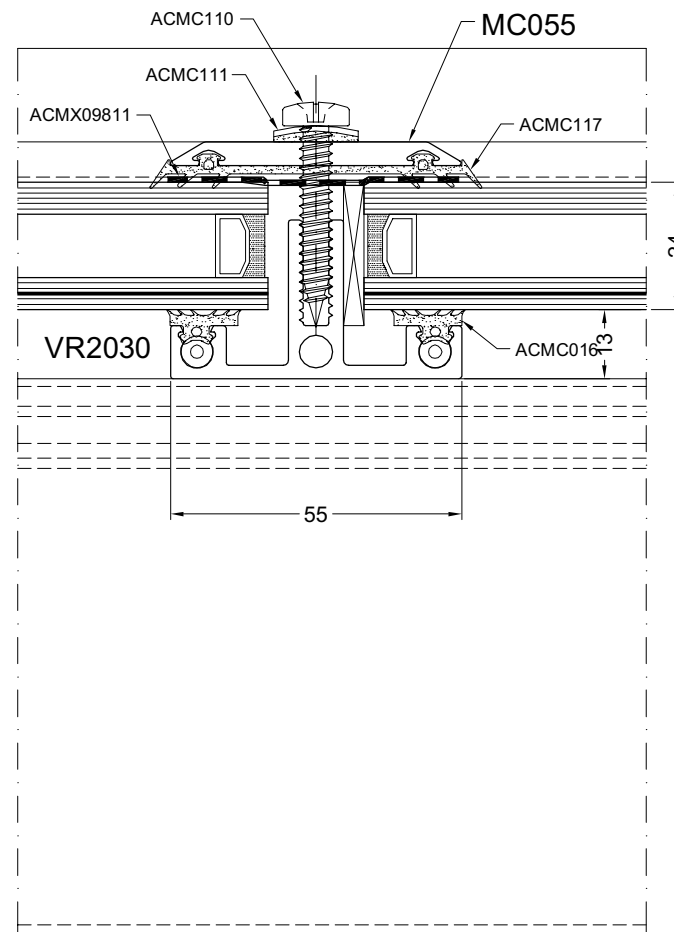
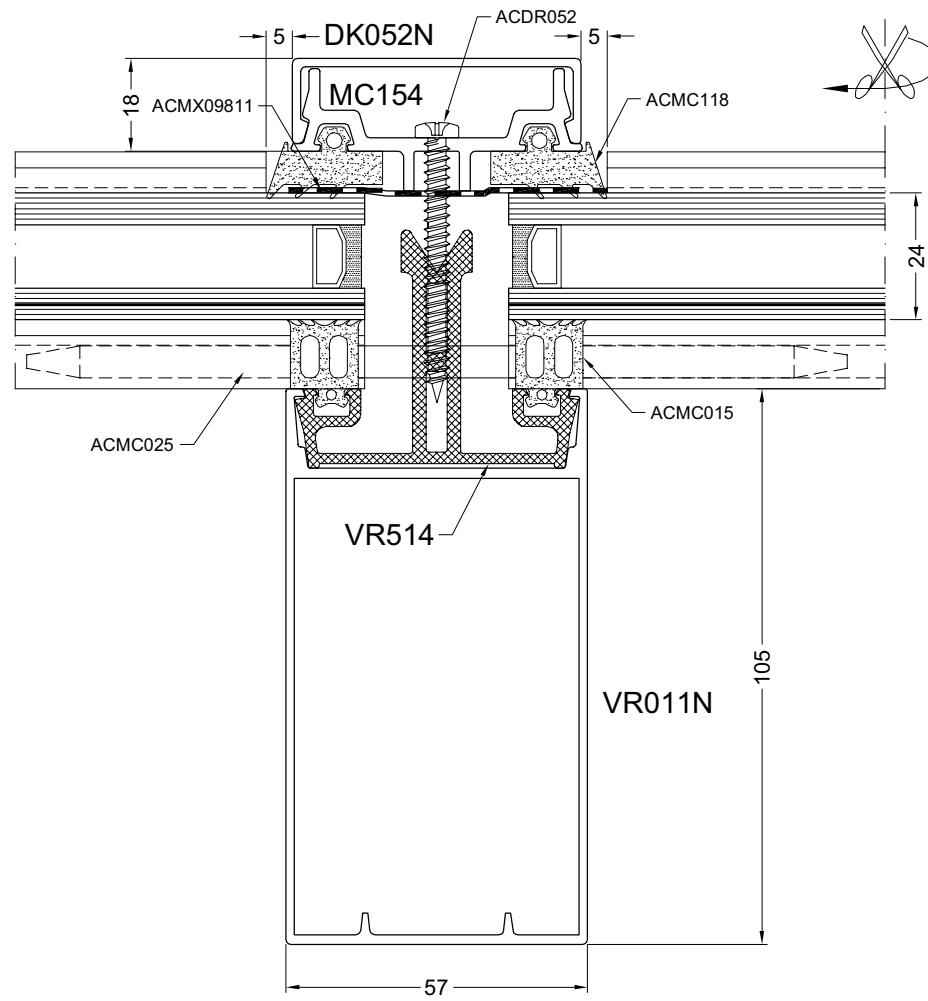
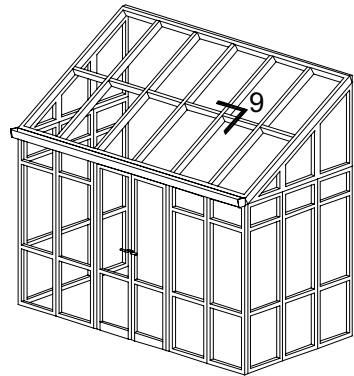
8D

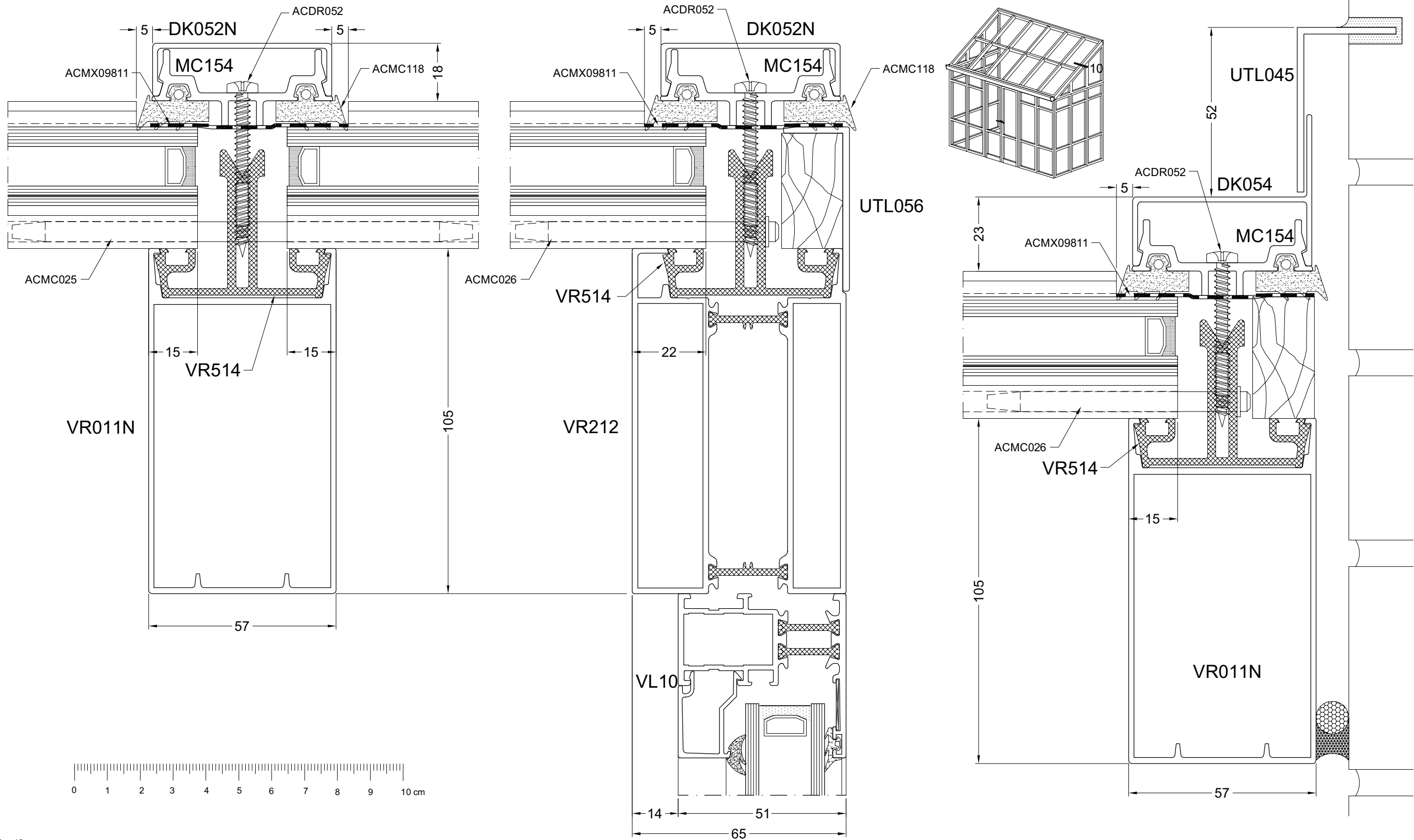
22°-45°

DOORSNEDE - COUPE - SCHNITT - SECTION



door11d

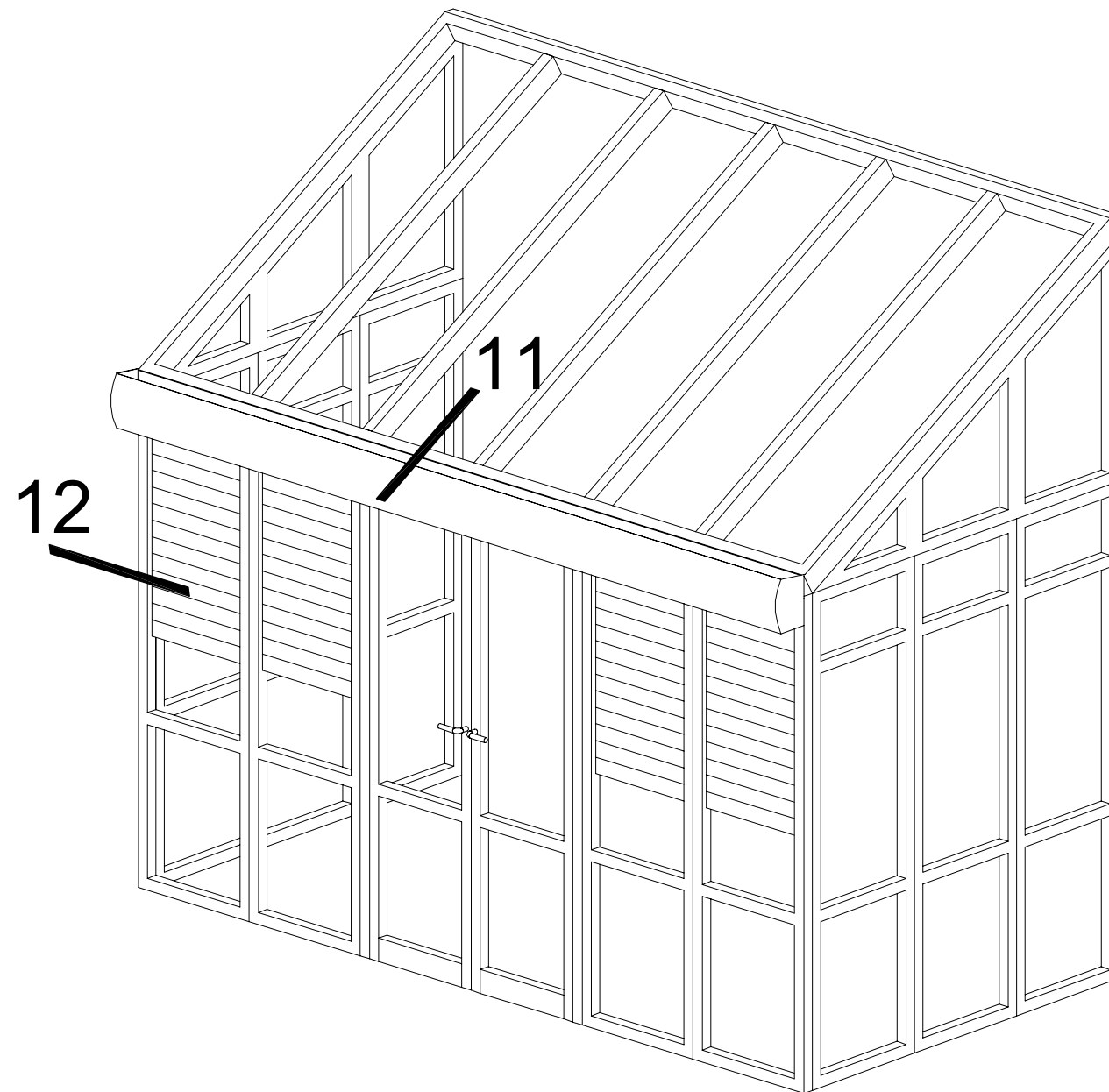




Door12a

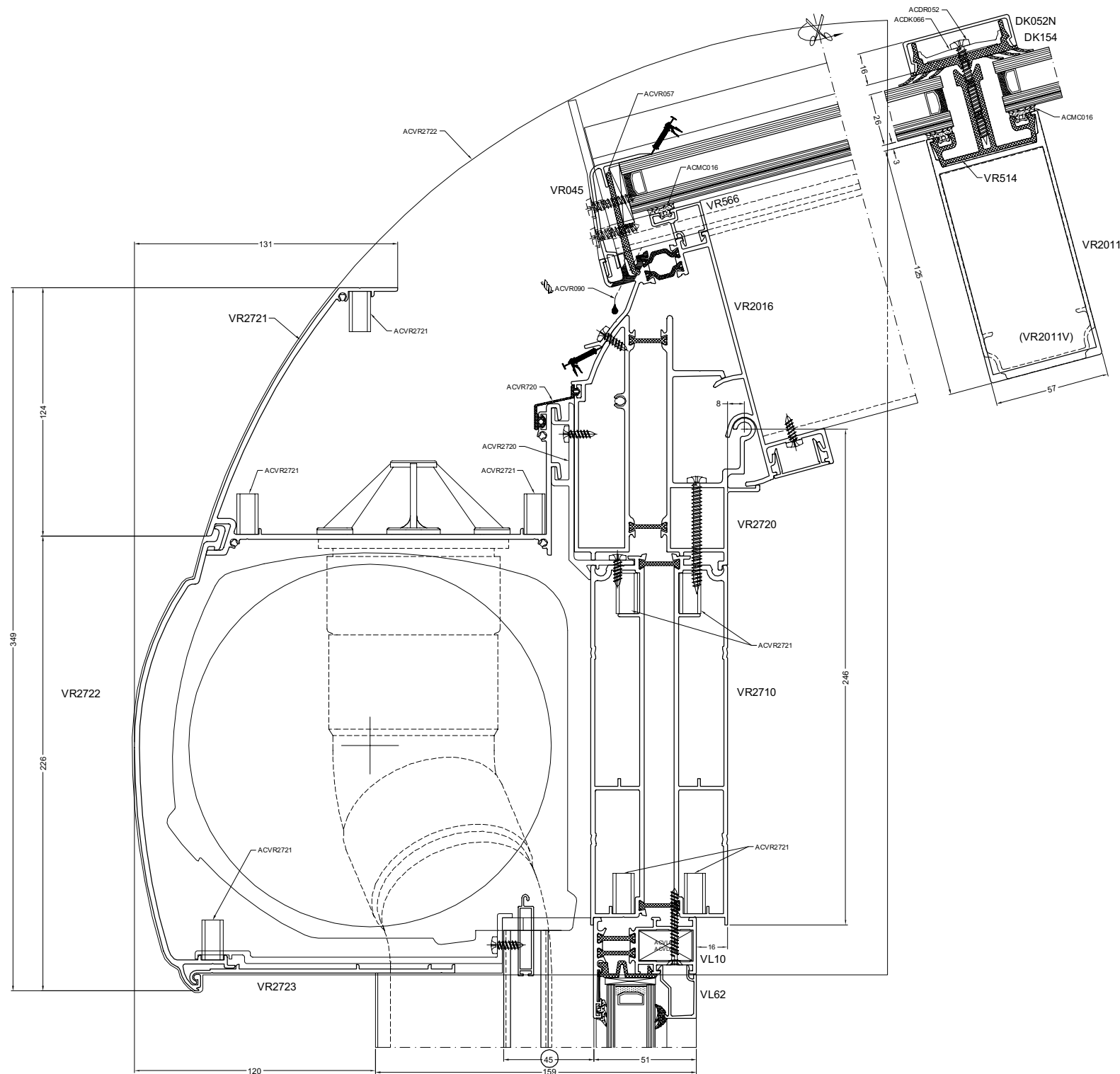
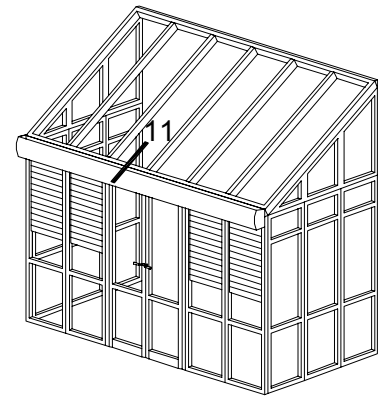
VERANDA MET ROLLUIK
VERANDA AVEC VOLET
WINTERGARTEN MIT ROLLADEN
CONSERVATORY WITH BLINDS

DOORSNEDE - COUPE - SCHNITT - SECTION



11B

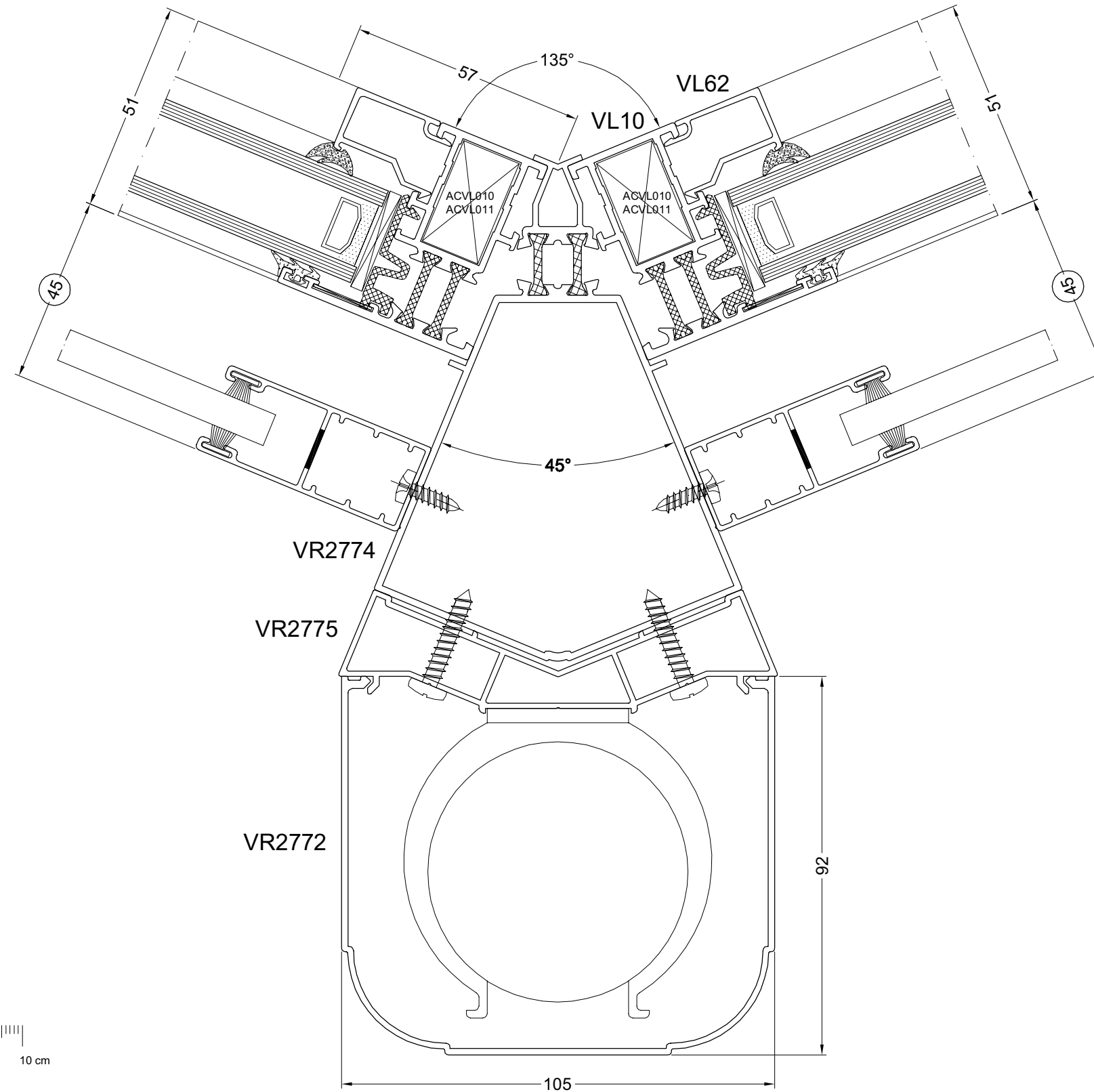
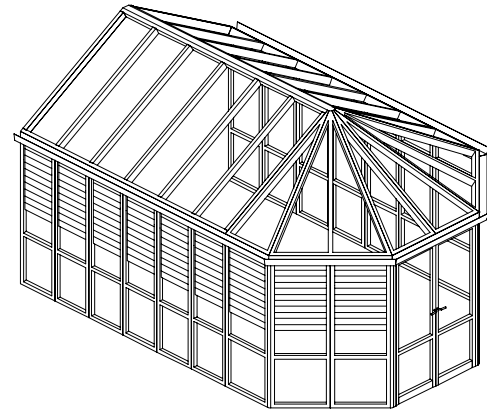
DOORSNEDE - COUPE - SCHNITT - SECTION



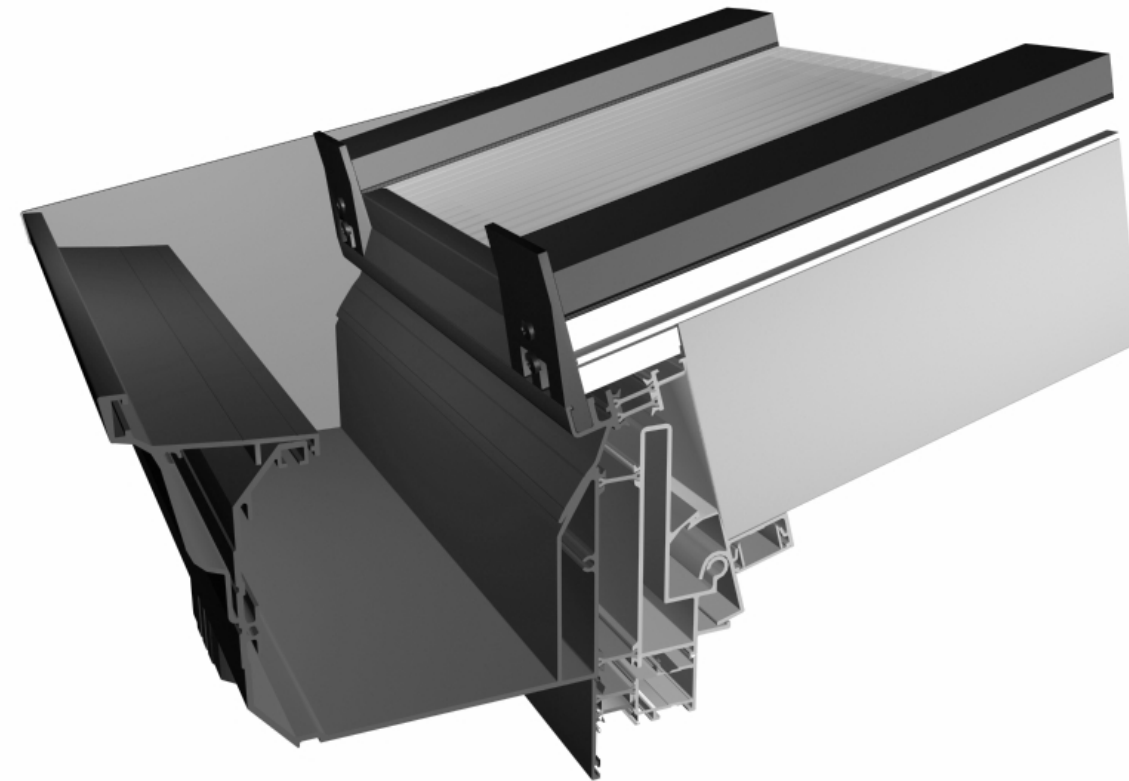
door20c

12B

DOORSNEDE - COUPE - SCHNITT - SECTION



door21c

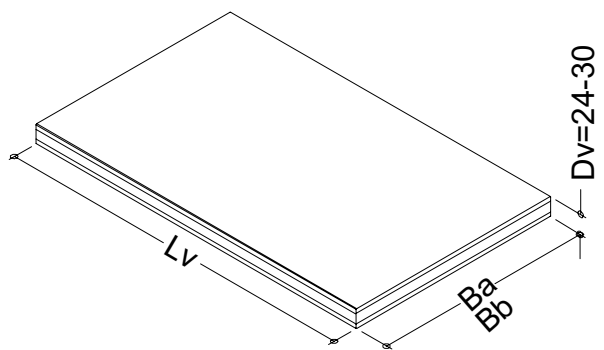
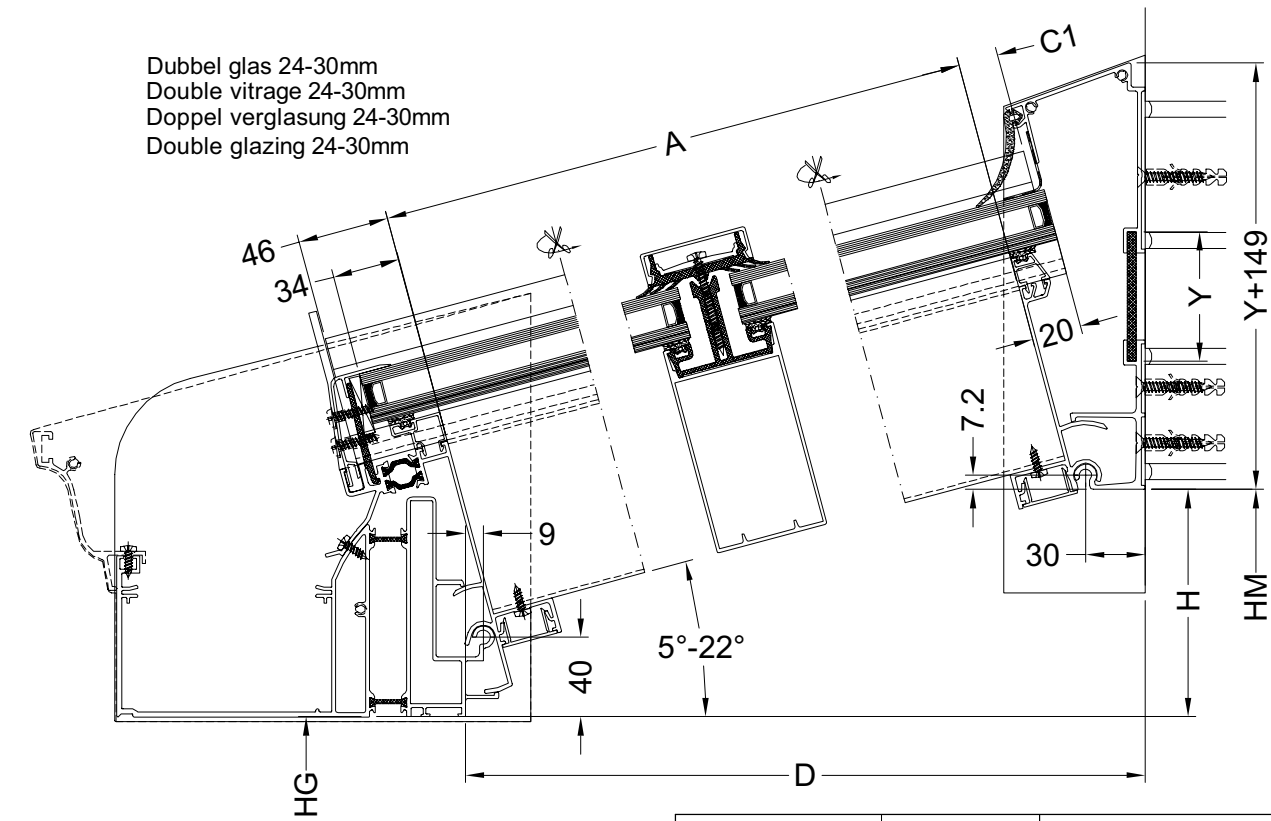


**ZAAGTABELLEN MET DUBBEL GLAS
TABLES DE SCIAGES AVEC DOUBLE VITRAGE
ZUSCHNITT-TABELLEN MIT DOPPEL VERGLAZUNG
SAWING TABLES WITH DOUBLE GLAZING**

VERANDA MET DUBBEL GLAS VAN 5° TOT 22°
VERANDA AVEC DOUBLE VITRAGE DE 5° JUSQU'A 22°
WINTERGARTEN MIT DOPPEL VERGLASUNG VON 5° BIS 22°
CONSERVATORY WITH DOUBLE GLAZING FROM 5° UP TO 22°

ZAAGTABELLEN - TABLES DE SCIAGES - ZUSCHNITT-TABELLEN - SAWING TABLES

Dubbel glas 24-30mm
Double vitrage 24-30mm
Doppel verglasung 24-30mm
Double glazing 24-30mm

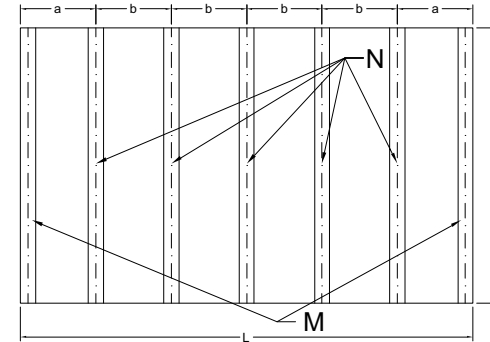


| | AANTAL QUANTITE ANZAHL NUMBER | FORMULE FORMULE FORMEL FORMULA |
|----|--|---|
| Lv | | A+54 |
| Ba | 2 | a-55 |
| Bb | N-1 | b-27 |

| TOEBEHOREN ACCESSOIRES ZUBEHÖRTEILE ACCESSORIES | AANTAL QUANTITE ANZAHL NUMBER | FORMULE FORMULE FORMEL FORMULA |
|--|--|---|
| ACMC016 | 2x(N+M) | A+66 |
| ACMC016 | 1 | (VR2021/VR2121) |
| ACMC016 | 1 | (VR425) |
| ACVR057 | 2xN+M | |
| ACVR140 | 1 | |
| ACVR2015 | N+M | |
| ACVR202 | 1 | (VR2426/VR2427) |
| ACDR052 | (N+M)x(A+46+C1)/250 | |
| ACDK066 | (N+M)x(A+46+C1)/250 | |
| ACVR6xx | L/1000 | |
| ACVR2021/ACVR2023 | | 2 |
| ACVR2121/ACVR2123 | | |
| ACVR2426 | 2 | |
| ACVR2427 | | |
| ACMX09811 | 1 | (VR2426/VR2427) |

$\alpha = 5^\circ - 15^\circ \rightarrow$ VR2426
 $\alpha = 15^\circ - 22^\circ \rightarrow$ VR2427

C1/Y : zie berekeningstabel
C1/Y : voir tableau de calcul
C1/Y : sieh Berechnungstabelle
C1/Y : see calculation table



N = Aantal Dakliggers
Nombre de montants
Anzahl Balken
Number of Beams

M = Aantal Zijliggers
Montants de cote
Anzahl Seitenbalken
Number of Sidebeams

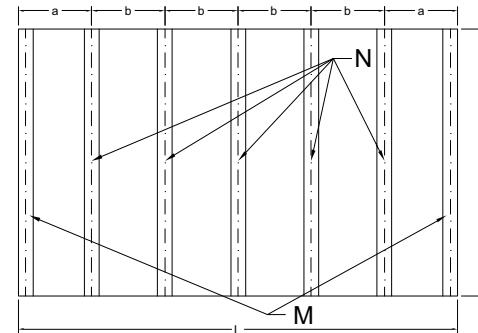
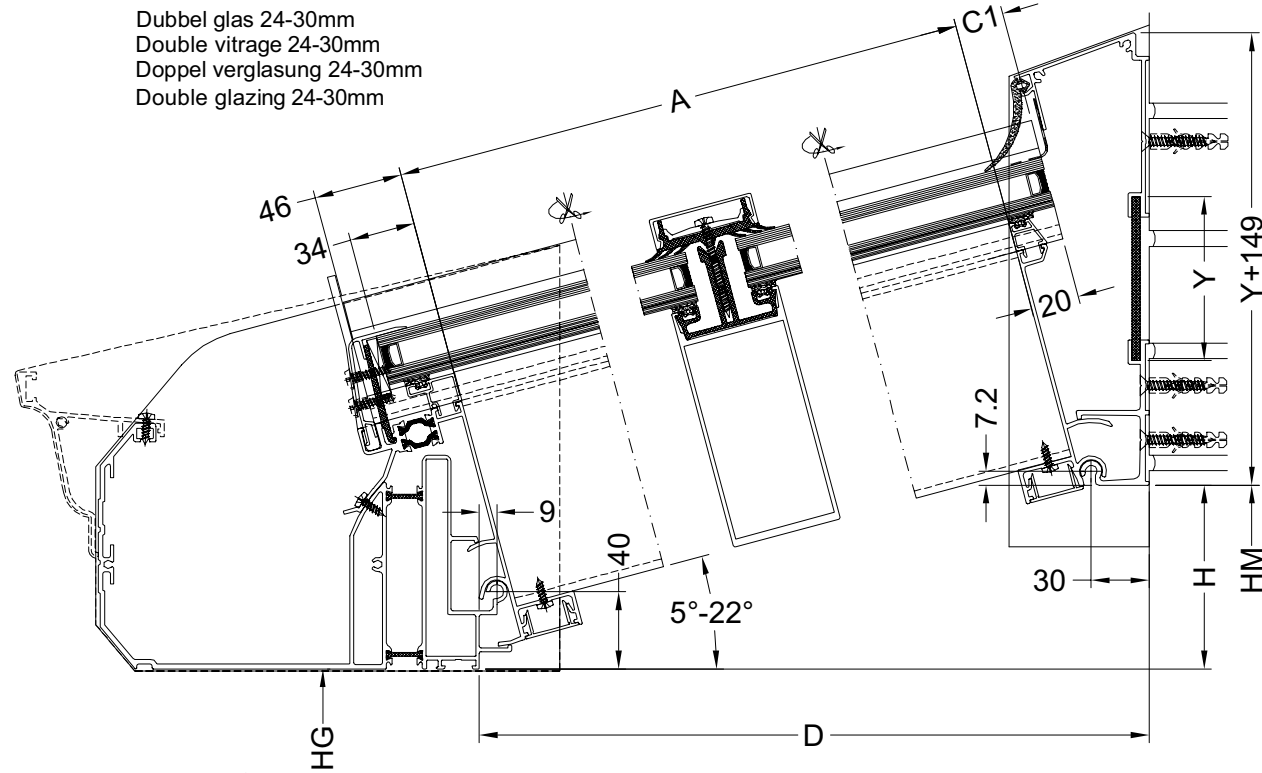
** = 2x kozjindiepte
2x epaisseur domant
2x rahmentiefe
2x frame depth

| |
|---|
| L |
| D |
| HM |
| HG |
| H=HM-HG |
| N |
| M |
| $A = \sqrt{(D-39)^2 + (H-32.8)^2} - 16$ |
| $\alpha = \text{ARCTAN} \left[\frac{H-32.8}{D-39} \right]$ |

| PROFIELN PROFILS PROFILE PROFILES | AFBEELDING IMAGE BILD PICTURE | SNEDE COUPE SCHNITT PROFILES | AANTAL QUANTITE ANZAHL NUMBER | FORMULE FORMULE FORMEL FORMULA |
|--|--|---------------------------------------|--|---|
| VR2021(+VT123) | | | 1 | L |
| VR2121(+VR123) | | | 1 | L |
| VR2017 | | | 1 | L |
| VR217 | | | 1 | L-** |
| SR014 | | | 2 | L-** |
| VR425 | | | 1 | L-** |
| VR2426 | | | 1 | L |
| VR2427 | | | 1 | L |
| VR011N | | | N | A |
| VR212 | | | M | A+(105*TANa) |
| VR514 | | | N+M | A+66 |
| DK154 | | | N+M | A+C1+46 |
| DK052N | | | N+M | A+C1+46 |
| VR566 | | | N-1 | b-53.5 |
| VR566 | | | 2 | a-82 |
| VR565 | | | N-1 | b-53.5 |
| VR565 | | | 2 | a-82 |
| VR045 | | | 2 | a-85.5 |
| VR045 | | | N-1 | b-57 |
| UTL010 | | | M | A+66 |

VERANDA MET DUBBEL GLAS VAN 5° TOT 22°
VERANDA AVEC DOUBLE VITRAGE DE 5° JUSQU'À 22°
WINTERGARTEN MIT DOPPEL VERGLASUNG VON 5° BIS 22°
CONSERVATORY WITH DOUBLE GLAZING FROM 5° UP TO 22°

ZAAGTABELLEN - TABLES DE SCIAGES - ZUSCHNITT-TABELLEN - SAWING TABLES



N = Aantal Dakliggers
Nombre de montants
Anzahl Balken
Number of Beams
M = Aantal Zijliggers
Montants de cote
Anzahl Seitenbalken
Number of Sidebeams
** = 2x kozjindiepte
2x epaisseur dormant
2x rahmentiefe
2x frame depth

C1/Y : zie berekeningstabel
C1/Y : voir tableau de calcul
C1/Y : siehe Berechnungstabelle
C1/Y : see calculation table

| |
|--|
| L |
| D |
| HM |
| HG |
| H=HM-HG |
| N |
| M |
| $A = \sqrt{(D-39)^2 + (H-32.8)^2} - 400 - 16$ |
| $\alpha = \text{ARCTAN} \left[\frac{H-32.8}{D-39} \right] + \text{ARCSIN} \left[\frac{20}{\sqrt{(D-39)^2 + (H-32.8)^2}} \right]$ |

| | AANTAL QUANTITE ANZAHL NUMBER | FORMULE FORMULE FORMEL FORMULA |
|----|--|---|
| Lv | | A+54 |
| Ba | 2 | a-55 |
| Bb | N-1 | b-27 |

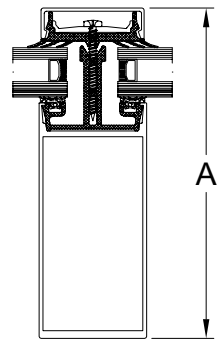
| TOEBEHOREN ACCESSOIRES ZUBEHÖRTEILE ACCESSORIES | AANTAL QUANTITE ANZAHL NUMBER | FORMULE FORMULE FORMEL FORMULA |
|--|--|---|
| ACMC016 | 2x(N+M) | A+66 |
| ACMC016 | 1 | (VR2021/VR2121) |
| ACMC016 | 1 | (VR425) |
| ACVR057 | 2xN+M | |
| ACVR140 | 1 | |
| ACVR2015 | N+M | |
| ACVR202 | 1 | (VR2426/VR2427) |
| ACDR052 | (N+M)x(A+46+C1)/250 | |
| ACDK066 | (N+M)x(A+46+C1)/250 | |
| ACVR6xx | L/1000 | |
| ACVR2021/ACVR2023 | | 2 |
| ACVR2121/ACVR2123 | | |
| ACVR2426 | 2 | |
| ACVR2427 | | |
| ACMX09811 | 1 | (VR2426/VR2427) |

| PROFIELEN PROFILS PROFILE PROFILES | AFBEELDING IMAGE BILD PICTURE | SNEDE COUPE SCHNITT PROFILES | AANTAL QUANTITE ANZAHL NUMBER | FORMULE FORMULE FORMEL FORMULA |
|---|--|---------------------------------------|--|---|
| VR2021(+VT123) | | | 1 | L |
| VR2121(+VR123) | | | 1 | L |
| VR2016 | | | 1 | L |
| VR2216 | | | 1 | L-** |
| SR014 | | | 2 | L-** |
| VR425 | | | 1 | L-** |
| VR2426 | | | 1 | L |
| VR2427 | | | 1 | L |
| VR2011 | | | N | A |
| VR212 | | | M | A+(105*TANa) |
| VR514 | | | N+M | A+66 |
| DK154 | | | N+M | A+C1+46 |
| DK052N | | | N+M | A+C1+46 |
| VR566 | | | N-1 | b-53.5 |
| VR566 | | | 2 | a-82 |
| VR565 | | | N-1 | b-53.5 |
| VR565 | | | 2 | a-82 |
| VR045 | | | 2 | a-85.5 |
| VR045 | | | N-1 | b-57 |
| UTL010 | | | M | A+66 |

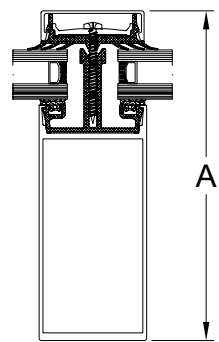
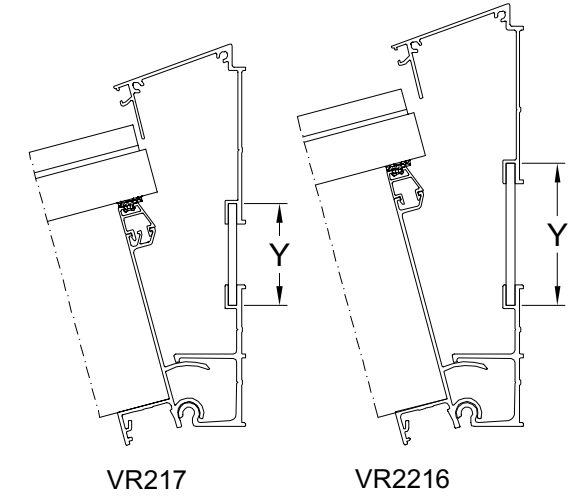
$\alpha = 5^\circ - 15^\circ \rightarrow$ VR2426
 $\alpha = 15^\circ - 22^\circ \rightarrow$ VR2427

BEREKENING C1 / Y VAN 5° TOT 22°
CALCULATION C1 / Y DE 5° JUSQU'À 22°
BERECHNUNG C1 / Y VON 5° BIS 22°
CALCULATION C1 / Y FROM 5° UP TO 22°

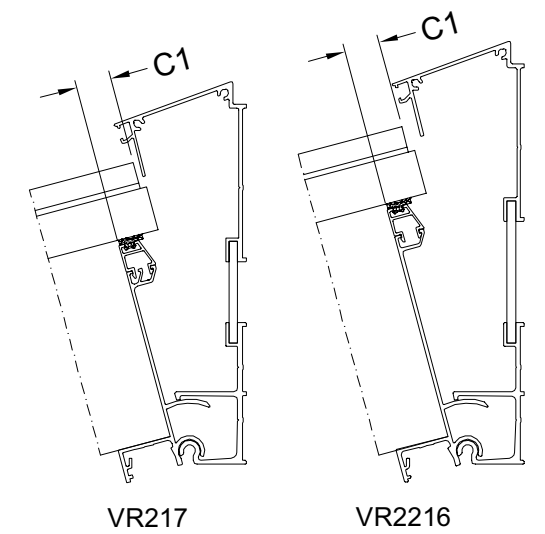
ZAAGTABELLEN - TABLES DE SCIAGES - ZUSCHNITT-TABELLEN - SAWING TABLES



| Y | a = 5°-22° | VR2426 / VR426 | | | | | | | | | | | VR2427 / VR427 | | | | | | | |
|-----|------------|----------------|-----|-----|-----|-----|-----|-----|-----|-----|-----|-----|----------------|-----|-----|-----|-----|-----|-----|--|
| a | A | 5 | 6 | 7 | 8 | 9 | 10 | 11 | 12 | 13 | 14 | 15 | 16 | 17 | 18 | 19 | 20 | 21 | 22 | |
| 140 | 140 | 50 | 50 | 50 | 50 | 50 | 50 | 50 | 50 | 50 | 50 | 50 | 45 | 45 | 45 | 45 | 45 | 45 | 45 | |
| 145 | 145 | 55 | 55 | 55 | 55 | 55 | 55 | 55 | 55 | 55 | 55 | 55 | 50 | 50 | 50 | 50 | 50 | 50 | 50 | |
| 150 | 150 | 60 | 60 | 60 | 60 | 60 | 60 | 60 | 60 | 60 | 60 | 60 | 55 | 55 | 55 | 55 | 55 | 55 | 55 | |
| 155 | 155 | 65 | 65 | 65 | 65 | 65 | 65 | 65 | 65 | 65 | 65 | 65 | 60 | 60 | 60 | 60 | 60 | 60 | 60 | |
| 160 | 160 | 70 | 70 | 70 | 70 | 70 | 70 | 70 | 70 | 70 | 70 | 70 | 65 | 65 | 65 | 65 | 65 | 65 | 65 | |
| 165 | 165 | 75 | 75 | 75 | 75 | 75 | 75 | 75 | 75 | 75 | 75 | 75 | 70 | 70 | 70 | 70 | 70 | 70 | 70 | |
| 170 | 170 | 80 | 80 | 80 | 80 | 80 | 80 | 80 | 80 | 80 | 80 | 80 | 75 | 75 | 75 | 75 | 75 | 75 | 75 | |
| 175 | 175 | 85 | 85 | 85 | 85 | 85 | 85 | 85 | 85 | 85 | 85 | 85 | 80 | 80 | 80 | 80 | 80 | 80 | 80 | |
| 180 | 180 | 90 | 90 | 90 | 90 | 90 | 90 | 90 | 90 | 90 | 90 | 90 | 85 | 85 | 85 | 90 | 90 | 90 | 90 | |
| 185 | 185 | 95 | 95 | 95 | 95 | 95 | 95 | 95 | 95 | 95 | 95 | 95 | 90 | 90 | 95 | 95 | 95 | 95 | 95 | |
| 190 | 190 | 100 | 100 | 100 | 100 | 100 | 100 | 100 | 100 | 100 | 100 | 100 | 100 | 100 | 100 | 100 | 100 | 100 | 100 | |
| 195 | 195 | 105 | 105 | 105 | 105 | 105 | 105 | 105 | 105 | 105 | 105 | 105 | 105 | 105 | 105 | 105 | 105 | 105 | 105 | |
| 200 | 200 | 110 | 110 | 110 | 110 | 110 | 110 | 110 | 110 | 110 | 110 | 110 | 110 | 110 | 110 | 110 | 110 | 110 | 110 | |



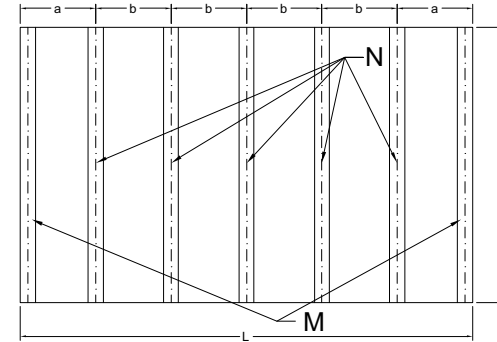
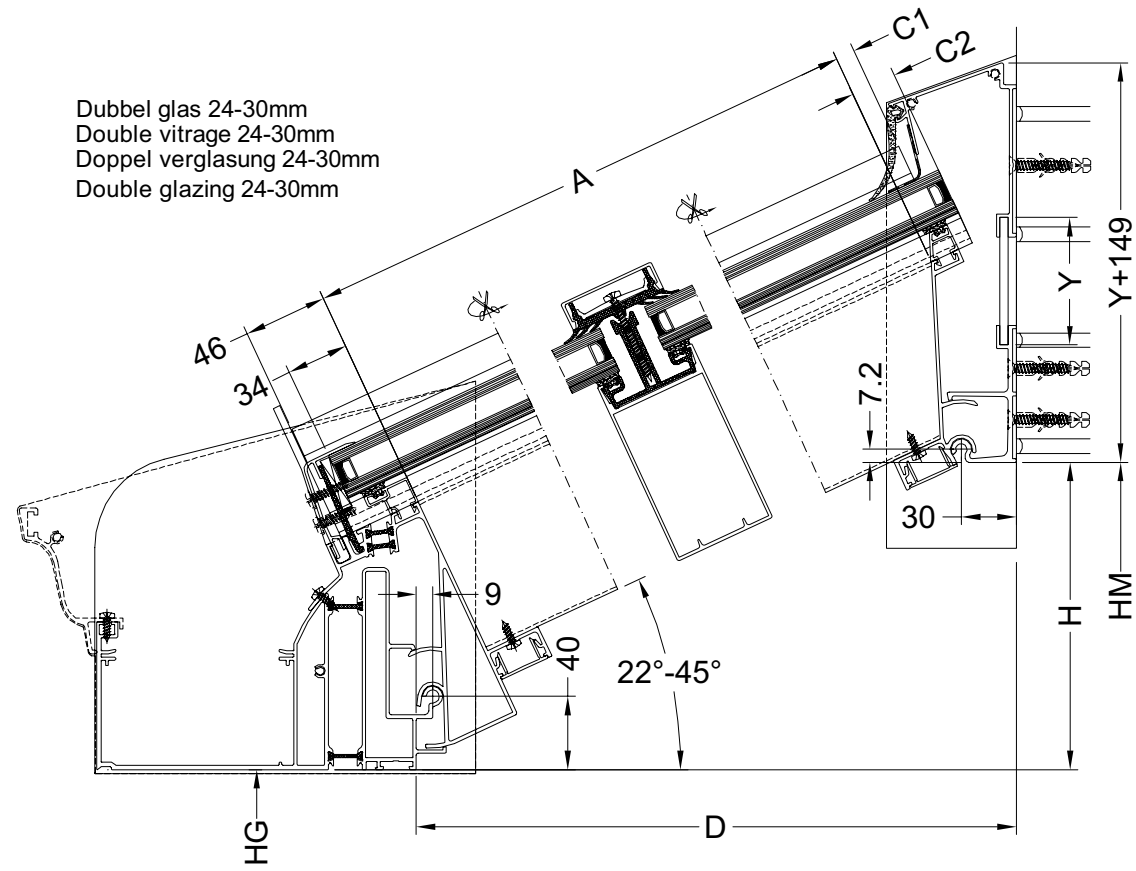
| C1 | a = 5°-22° | VR2426 / VR426 | | | | | | | | | | | VR2427 / VR427 | | | | | | | |
|-----|------------|----------------|------|------|------|------|------|------|------|------|------|------|----------------|-------|------|------|------|------|------|--|
| a | A | 5 | 6 | 7 | 8 | 9 | 10 | 11 | 12 | 13 | 14 | 15 | 16 | 17 | 18 | 19 | 20 | 21 | 22 | |
| 140 | 140 | -8,8 | -6,3 | -3,8 | -1,4 | 1,1 | 3,6 | 6,1 | 8,6 | 11,1 | 13,7 | 16,2 | -13,7 | -11,3 | -8,8 | -6,4 | -3,9 | -1,5 | 1 | |
| 145 | 145 | -8,3 | -5,8 | -3,2 | -0,7 | 1,9 | 4,5 | 7,1 | 9,7 | 12,3 | 14,9 | 17,6 | -12,2 | -9,7 | -7,2 | -4,7 | -2,1 | 0,5 | 3,1 | |
| 150 | 150 | -7,9 | -5,3 | -2,6 | 0 | 2,7 | 5,4 | 8 | 10,7 | 13,4 | 16,2 | 18,9 | -10,8 | -8,2 | -5,6 | -3 | -0,3 | 2,4 | 5,1 | |
| 155 | 155 | -7,5 | -4,7 | -2 | 0,7 | 3,5 | 6,2 | 9 | 11,8 | 14,6 | 17,4 | 20,3 | -9,4 | -6,7 | -4 | -1,2 | 1,5 | 4,3 | 7,1 | |
| 160 | 160 | -7 | -4,2 | -1,4 | 1,4 | 4,3 | 7,1 | 10 | 12,9 | 15,8 | 18,7 | 21,6 | -7,9 | -5,1 | -2,3 | 0,5 | 3,3 | 6,2 | 9,1 | |
| 165 | 165 | -6,6 | -3,7 | -0,8 | 2,1 | 5,1 | 8 | 11 | 13,9 | 16,9 | 19,9 | 22,9 | -6,5 | -3,6 | -0,7 | 2,2 | 5,2 | 8,1 | 11,1 | |
| 170 | 170 | -6,2 | -3,2 | -0,2 | 2,8 | 5,9 | 8,9 | 11,9 | 15 | 18,1 | 21,2 | 24,3 | -5,1 | -2,1 | 0,9 | 3,9 | 7 | 10,1 | 13,2 | |
| 175 | 175 | -5,7 | -2,6 | 0,4 | 3,5 | 6,7 | 9,8 | 12,9 | 16 | 19,2 | 22,4 | 25,6 | -3,6 | -0,6 | 2,5 | 5,7 | 8,8 | 12 | 15,2 | |
| 180 | 180 | -5,3 | -2,1 | 1,1 | 4,2 | 7,4 | 10,6 | 13,9 | 17,1 | 20,4 | 23,7 | 27 | -2,2 | 1 | 4,2 | 7,4 | 10,6 | 13,9 | 17,2 | |
| 185 | 185 | -4,9 | -1,6 | 1,7 | 5 | 8,2 | 11,5 | 14,8 | 18,2 | 21,5 | 24,9 | 28,3 | -0,8 | 2,5 | 5,8 | 9,1 | 12,4 | 15,8 | 19,2 | |
| 190 | 190 | -4,4 | -1,1 | 2,3 | 5,7 | 9 | 12,4 | 15,8 | 19,2 | 22,7 | 26,1 | 29,6 | 0,7 | 4 | 7,4 | 10,8 | 14,3 | 17,7 | 21,2 | |
| 195 | 195 | -4 | -0,5 | 2,9 | 6,4 | 9,8 | 13,3 | 16,8 | 20,3 | 23,8 | 27,4 | 31 | 2,1 | 5,6 | 9 | 12,5 | 16,1 | 19,7 | 23,3 | |
| 200 | 200 | -3,5 | 0 | 3,5 | 7,1 | 10,6 | 14,2 | 17,8 | 21,4 | 25 | 28,6 | 32,3 | 3,5 | 7,1 | 10,7 | 14,3 | 17,9 | 21,6 | 25,3 | |



VERANDA MET DUBBEL GLAS VAN 22° TOT 45°
VERANDA AVEC DOUBLE VITRAGE DE 22° JUSQU'À 45°
WINTERGARTEN MIT DOPPEL VERGLASUNG VON 22° BIS 45°
CONSERVATORY WITH DOUBLE GLAZING FROM 22° UP TO 45°

ZAAGTABELLEN - TABLES DE SCIAGES - ZUSCHNITT-TABELLEN - SAWING TABLES

Dubbel glas 24-30mm
Double vitrage 24-30mm
Doppel verglasung 24-30mm
Double glazing 24-30mm



N = Aantal Dakliggers
Nombre de montants
Anzahl Balken
Number of Beams
M = Aantal Zijliggers
Montants de cote
Anzahl Seitenbalken
Number of Sidebeams
** = 2x kozjndiepte
2x epaisseur dormant
2x rahmentiefe
2x frame depth

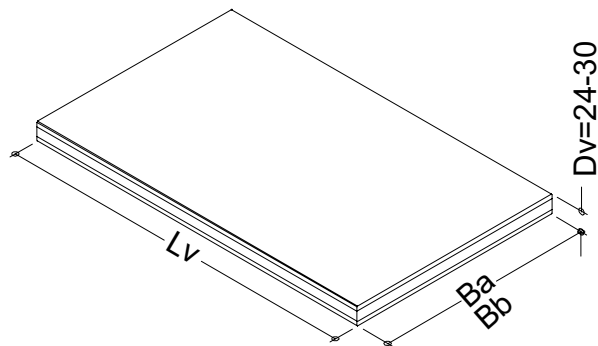
$\alpha = 22^\circ - 30^\circ \rightarrow$ VR2426
 $\alpha = 31^\circ - 45^\circ \rightarrow$ VR2427

C1/Y : zie berekeningstabel
C1/Y : voir tableau de calcul
C1/Y : sieh Berechnungstabelle
C1/Y : see calculation table

| |
|---|
| L |
| D |
| HM |
| HG |
| H=HM-HG |
| N |
| M |
| $A = \sqrt{(D-39)^2 + (H-32.8)^2} - 9.7$ |
| $\alpha = \text{ARCTAN} \left[\frac{H-32.8}{D-39} \right]$ |

| | C2 |
|---------|----|
| 22°-25° | 25 |
| 26°-30° | 35 |
| 31°-35° | 25 |
| 36°-40° | 35 |
| 41°-45° | 50 |

| PROFIEN PROFILS PROFILE PROFILES | AFBEELDING IMAGE BILD PICTURE | SNEDE COUPE SCHNITT PROFILES | AANTAL QUANTITE ANZAHL NUMBER | FORMULE FORMULE FORMEL FORMULA |
|---|--|---------------------------------------|--|---|
| VR2021(+VT123) | | | 1 | L |
| VR2121(+VR123) | | | 1 | L |
| VR2117 | | | 1 | L |
| VR218 | | | 1 | L-** |
| SR014 | | | 2 | L-** |
| VR425 | | | 1 | L-** |
| VR2426 | | | 1 | L |
| VR2427 | | | 1 | L |
| VR011N | | | N | A+6 |
| VR212 | | | M | A+6 |
| VR514 | | | N+M | A+46+C2 |
| DK154 | | | N+M | A+C1+46 |
| DK052N | | | N+M | A+C1+46 |
| VR566 | | | N-1 | b-53.5 |
| VR566 | | | 2 | a-82 |
| VR565 | | | N-1 | b-53.5 |
| VR565 | | | 2 | a-82 |
| VR045 | | | 2 | a-85.5 |
| VR045 | | | N-1 | b-57 |
| UTL010 | | | M | A+46+C2 |



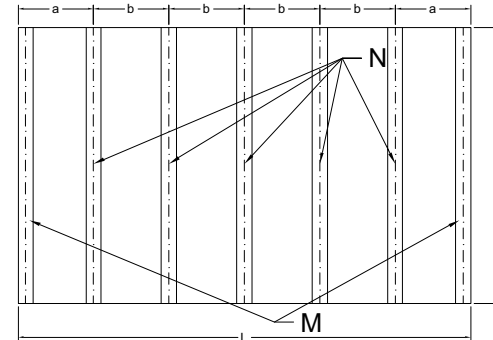
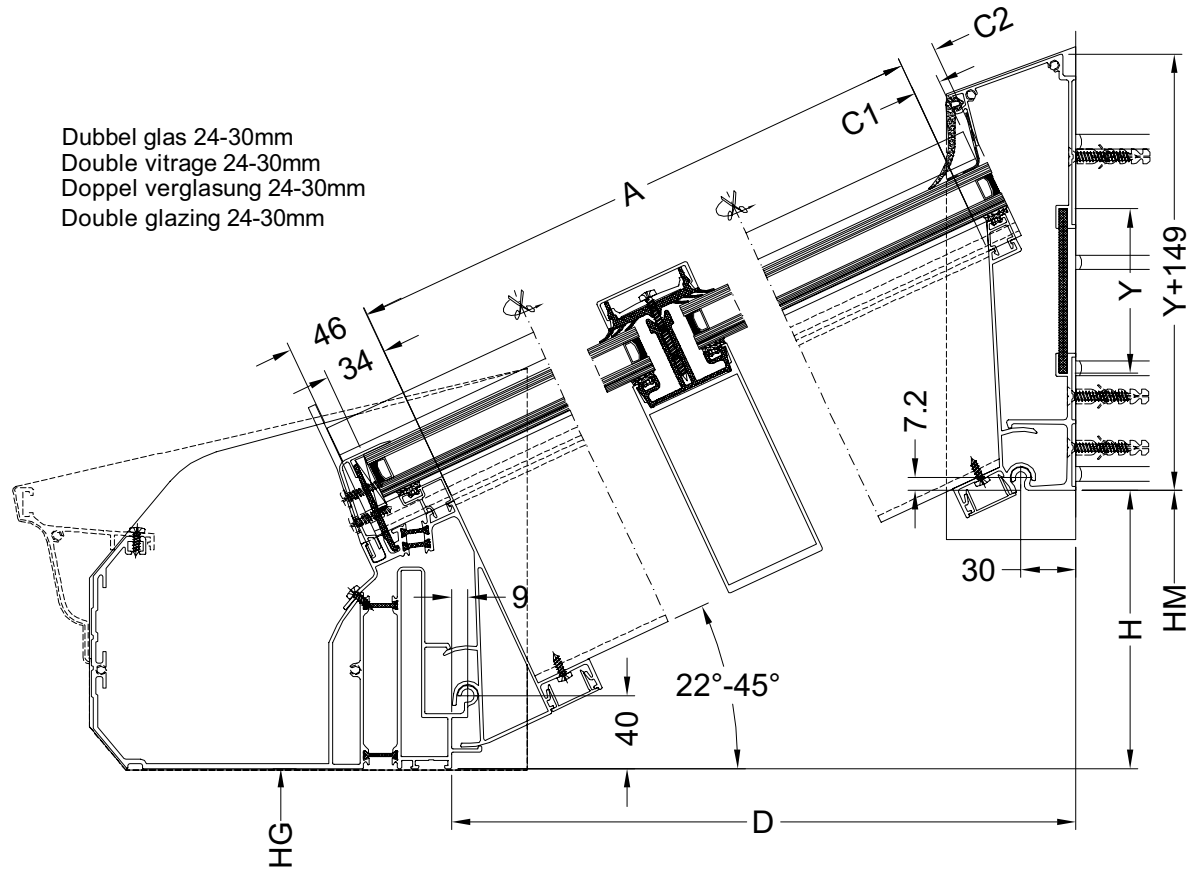
| | AANTAL QUANTITE ANZAHL NUMBER | FORMULE FORMULE FORMEL FORMULA |
|----|--|---|
| Lv | | A+34+C2 |
| Ba | 2 | a-55 |
| Bb | N-1 | b-27 |

| TOEBEHOREN ACCESSOIRES ZUBEHÖRTEILE ACCESSORIES | AANTAL QUANTITE ANZAHL NUMBER | FORMULE FORMULE FORMEL FORMULA |
|--|--|---|
| ACMC016 | 2x(N+M) | A+46+C2 |
| ACMC016 | 1 | (VR2021/VR2121) |
| ACMC016 | 1 | (VR425) |
| ACVR057 | 2xN+M | |
| ACVR140 | 1 | |
| ACVR2015 | N+M | |
| ACMS02 | 1 | (VR2427) |
| ACDR052 | (N+M)x(A+46+C1)/250 | |
| ACDK066 | (N+M)x(A+46+C1)/250 | |
| ACVR6xx | L/1000 | |
| ACVR2021/ACVR2023 | | 2 |
| ACVR2121/ACVR2123 | | 2 |
| ACVR2427 | 2 | |
| ACMX09811 | 1 | (VR2427) |

VERANDA MET DUBBEL GLAS VAN 22° TOT 45°
VERANDA AVEC DOUBLE VITRAGE DE 22° JUSQU'A 45°
WINTERGARTEN MIT DOPPEL VERGLASUNG VON 22° BIS 45°
CONSERVATORY WITH DOUBLE GLAZING FROM 22° UP TO 45°

ZAAGTABELLEN - TABLES DE SCIAGES - ZUSCHNITT-TABELLEN - SAWING TABLES

Dubbel glas 24-30mm
Double vitrage 24-30mm
Doppel verglasung 24-30mm
Double glazing 24-30mm



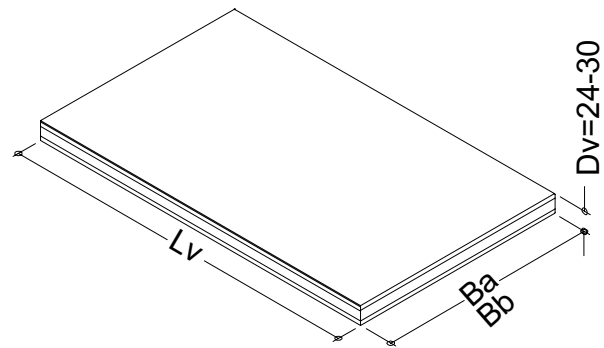
N = Aantal Dakliggers
Nombre de montants
Anzahl Balken
Number of Beams
M = Aantal Zijliggers
Montants de cote
Anzahl Seitenbalken
Number of Sidebeams
** = 2x kozjindiepte
2x epaisseur dormant
2x rahmentiefe
2x frame depth

C1/Y : zie berekeningstabel
C1/Y : voir tableau de calcul
C1/Y : siehe Berechnungstabelle
C1/Y : see calculation table

$\alpha = 22^\circ - 30^\circ \rightarrow$ VR2426
 $\alpha = 31^\circ - 45^\circ \rightarrow$ VR2427

| |
|--|
| L |
| D |
| HM |
| HG |
| H=HM-HG |
| N |
| M |
| $A = \sqrt{(D-39)^2 + (H-32.8)^2} - 400 - 1.9$ |
| $\alpha = \text{ARCTAN} \left[\frac{H-32.8}{D-39} \right] + \text{ARCSIN} \left[\frac{20}{\sqrt{(D-39)^2 + (H-32.8)^2}} \right]$ |

| | |
|---------|----|
| | C2 |
| 22°-25° | 25 |
| 26°-30° | 35 |
| 31°-35° | 25 |
| 36°-40° | 35 |
| 41°-45° | 50 |



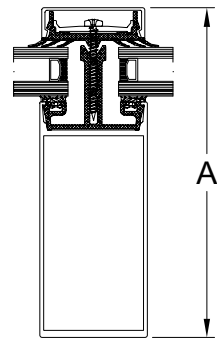
| | AANTAL QUANTITE ANZAHL NUMBER | FORMULE FORMULE FORMEL FORMULA |
|----|--|---|
| Lv | | A+34+C2 |
| Ba | 2 | a-55 |
| Bb | N-1 | b-27 |

| TOEBEHOREN ACCESSOIRES ZUBEHÖRTEILE ACCESSORIES | AANTAL QUANTITE ANZAHL NUMBER | FORMULE FORMULE FORMEL FORMULA |
|--|--|---|
| ACMC016 | 2x(N+M) | A+46+C2 |
| ACMC016 | 1 | (VR2021/VR2121) |
| ACMC016 | 1 | (VR425) |
| ACVR057 | 2xN+M | |
| ACVR140 | 1 | |
| ACVR2015 | N+M | |
| ACMS02 | 1 | (VR2426/VR2427) |
| ACDR052 | (N+M)x(A+46+C1)/250 | |
| ACDK066 | (N+M)x(A+46+C1)/250 | |
| ACVR6xx | L/1000 | |
| ACVR2021/ACVR2023 | | 2 |
| ACVR2121/ACVR2123 | | |
| ACVR2426 | 2 | |
| ACVR2427 | | |
| ACMX09811 | 1 | (VR2426/VR2427) |

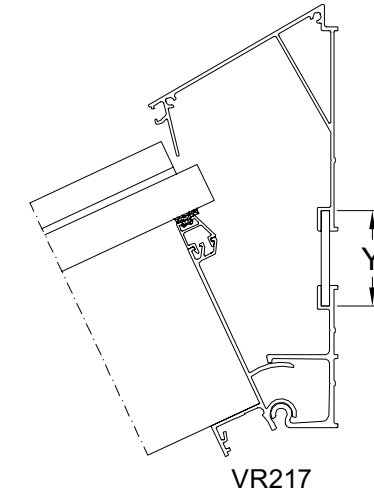
| PROFIELEN PROFILS PROFILES | AFBEELDING IMAGE BILD PICTURE | SNEDE COUPE SCHNITT PROFILES | AANTAL QUANTITE ANZAHL NUMBER | FORMULE FORMULE FORMEL FORMULA |
|----------------------------------|--|---------------------------------------|--|---|
| VR2021(+VT123) | | | 1 | |
| VR2121(+VR123) | | | 1 | L |
| VR2116 | | | 1 | L |
| VR2217 | | | 1 | L-** |
| SR014 | | | 2 | L-** |
| VR425 | | | 1 | L-** |
| VR2426 | | | 1 | L |
| VR2427 | | | 1 | L |
| VR2011 | | | N | A+6.3 |
| VR212 | | | M | A+6.3 |
| VR514 | | | N+M | A+46+C2 |
| DK154 | | | N+M | A+C1+46 |
| DK052N | | | N+M | A+C1+46 |
| VR566 | | | N-1 | b-53.5 |
| VR566 | | | 2 | a-82 |
| VR565 | | | N-1 | b-53.5 |
| VR565 | | | 2 | a-82 |
| VR045 | | | 2 | a-85.5 |
| VR045 | | | N-1 | b-57 |
| UTL010 | | | M | A+46+C2 |

BEREKENING C1 / Y VAN 22° TOT 45°
CALCULATION C1 / Y DE 22° JUSQU'À 45°
BERECHNUNG C1 / Y VON 22° BIS 45°
CALCULATION C1 / Y FROM 22° UP TO 45°

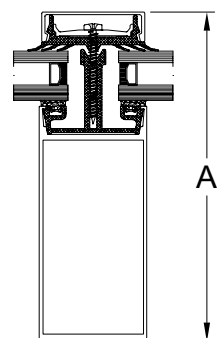
ZAAGTABELLEN - TABLES DE SCIAGES - ZUSCHNITT-TABELLEN - SAWING TABLES



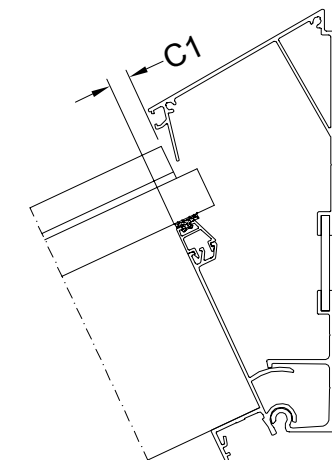
| Y | a = 22°-35° VR217+VR2427 / VR427 | | | | | | | | | | | | | |
|-----|-------------------------------------|-----|-----|-----|-----|-----|-----|-----|-----|-----|-----|-----|-----|-----|
| a | | | | | | | | | | | | | | |
| A | 22 | 23 | 24 | 25 | 26 | 27 | 28 | 29 | 30 | 31 | 32 | 33 | 34 | 35 |
| 140 | 50 | 50 | 50 | 50 | 50 | 50 | 50 | 55 | 55 | 55 | 55 | 55 | 55 | 55 |
| 145 | 55 | 55 | 55 | 55 | 55 | 55 | 60 | 60 | 60 | 60 | 60 | 60 | 60 | 65 |
| 150 | 60 | 60 | 60 | 60 | 60 | 65 | 65 | 65 | 65 | 65 | 65 | 65 | 70 | 70 |
| 155 | 65 | 65 | 65 | 65 | 70 | 70 | 70 | 70 | 70 | 70 | 70 | 75 | 75 | 75 |
| 160 | 70 | 70 | 70 | 75 | 75 | 75 | 75 | 75 | 75 | 75 | 80 | 80 | 80 | 80 |
| 165 | 75 | 75 | 80 | 80 | 80 | 80 | 80 | 80 | 80 | 85 | 85 | 85 | 85 | 90 |
| 170 | 80 | 85 | 85 | 85 | 85 | 85 | 85 | 85 | 90 | 90 | 90 | 90 | 95 | 95 |
| 175 | 90 | 90 | 90 | 90 | 90 | 90 | 90 | 95 | 95 | 95 | 95 | 95 | 100 | 100 |
| 180 | 95 | 95 | 95 | 95 | 95 | 95 | 95 | 100 | 100 | 100 | 100 | 105 | 105 | 105 |
| 185 | 100 | 100 | 100 | 100 | 100 | 100 | 105 | 105 | 105 | 105 | 110 | 110 | 110 | 110 |
| 190 | 105 | 105 | 105 | 105 | 105 | 110 | 110 | 110 | 110 | 110 | 115 | 115 | 115 | 120 |
| 195 | 110 | 110 | 110 | 110 | 110 | 115 | 115 | 115 | 115 | 120 | 120 | 120 | 125 | 125 |
| 200 | 115 | 115 | 115 | 115 | 120 | 120 | 120 | 120 | 120 | 125 | 125 | 125 | 130 | 130 |



VR217



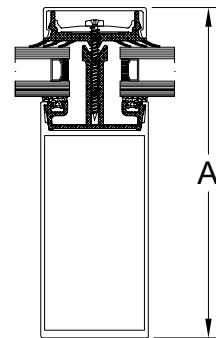
| C1 | a = 22°-35° VR217+VR2427 / VR427 | | | | | | | | | | | | | |
|-----|-------------------------------------|------|------|------|------|------|------|------|------|------|------|------|------|------|
| a | | | | | | | | | | | | | | |
| A | 22 | 23 | 24 | 25 | 26 | 27 | 28 | 29 | 30 | 31 | 32 | 33 | 34 | 35 |
| 140 | 2,9 | 5,5 | 8,2 | 10,8 | 13,5 | 16,3 | 19,1 | 21,9 | 24,8 | 27,8 | 30,8 | 33,8 | 36,9 | 40,1 |
| 145 | 4,9 | 7,6 | 10,4 | 13,2 | 16 | 18,9 | 21,8 | 24,7 | 27,7 | 30,8 | 33,9 | 37,1 | 40,3 | 43,6 |
| 150 | 6,9 | 9,7 | 12,6 | 15,5 | 18,4 | 21,4 | 24,4 | 27,5 | 30,6 | 33,8 | 37 | 40,3 | 43,7 | 47,1 |
| 155 | 8,9 | 11,9 | 14,8 | 17,8 | 20,9 | 23,9 | 27,1 | 30,3 | 33,5 | 36,8 | 40,1 | 43,5 | 47 | 50,6 |
| 160 | 11 | 14 | 17,1 | 20,2 | 23,3 | 26,5 | 29,7 | 33 | 36,4 | 39,8 | 43,3 | 46,8 | 50,4 | 54,1 |
| 165 | 13 | 16,1 | 19,3 | 22,5 | 25,7 | 29 | 32,4 | 35,8 | 39,3 | 42,8 | 46,4 | 50 | 53,8 | 57,6 |
| 170 | 15 | 18,2 | 21,5 | 24,8 | 28,2 | 31,6 | 35 | 38,6 | 42,1 | 45,8 | 49,5 | 53,3 | 57,2 | 61,1 |
| 175 | 17 | 20,4 | 23,7 | 27,2 | 30,6 | 34,1 | 37,7 | 41,3 | 45 | 48,8 | 52,6 | 56,5 | 60,5 | 64,6 |
| 180 | 19 | 22,5 | 26 | 29,5 | 33,1 | 36,7 | 40,4 | 44,1 | 47,9 | 51,8 | 55,7 | 59,8 | 63,9 | 68,1 |
| 185 | 21,1 | 24,6 | 28,2 | 31,8 | 35,5 | 39,2 | 43 | 46,9 | 50,8 | 54,8 | 58,9 | 63 | 67,3 | 71,6 |
| 190 | 23,1 | 26,7 | 30,4 | 34,1 | 37,9 | 41,8 | 45,7 | 49,7 | 53,7 | 57,8 | 62 | 66,3 | 70,6 | 75,1 |
| 195 | 25,1 | 28,8 | 32,6 | 36,5 | 40,4 | 44,3 | 48,3 | 52,4 | 56,6 | 60,8 | 65,1 | 69,5 | 74 | 78,6 |
| 200 | 27,1 | 31 | 34,9 | 38,8 | 42,8 | 46,9 | 51 | 55,2 | 59,5 | 63,8 | 68,2 | 72,8 | 77,4 | 82,1 |



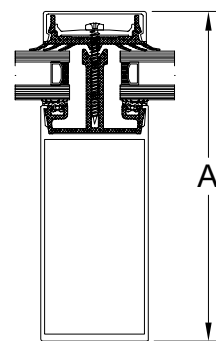
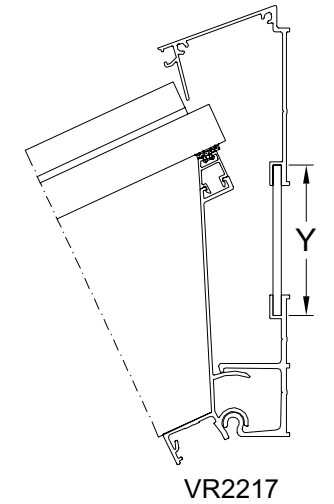
VR217

BEREKENING C1 / Y VAN 22° TOT 45°
CALCULATION C1 / Y DE 22° JUSQU'A 45°
BERECHNUNG C1 / Y VON 22° BIS 45°
CALCULATION C1 / Y FROM 22° UP TO 45°

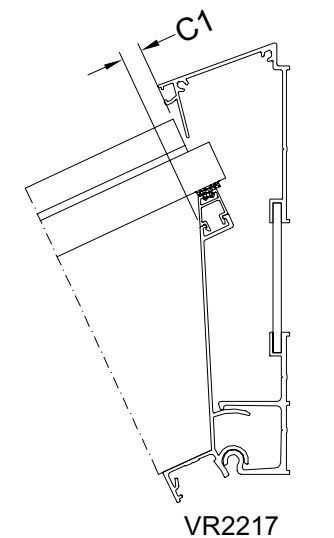
ZAAGTABELLEN - TABLES DE SCIAGES - ZUSCHNITT-TABELLEN - SAWING TABLES

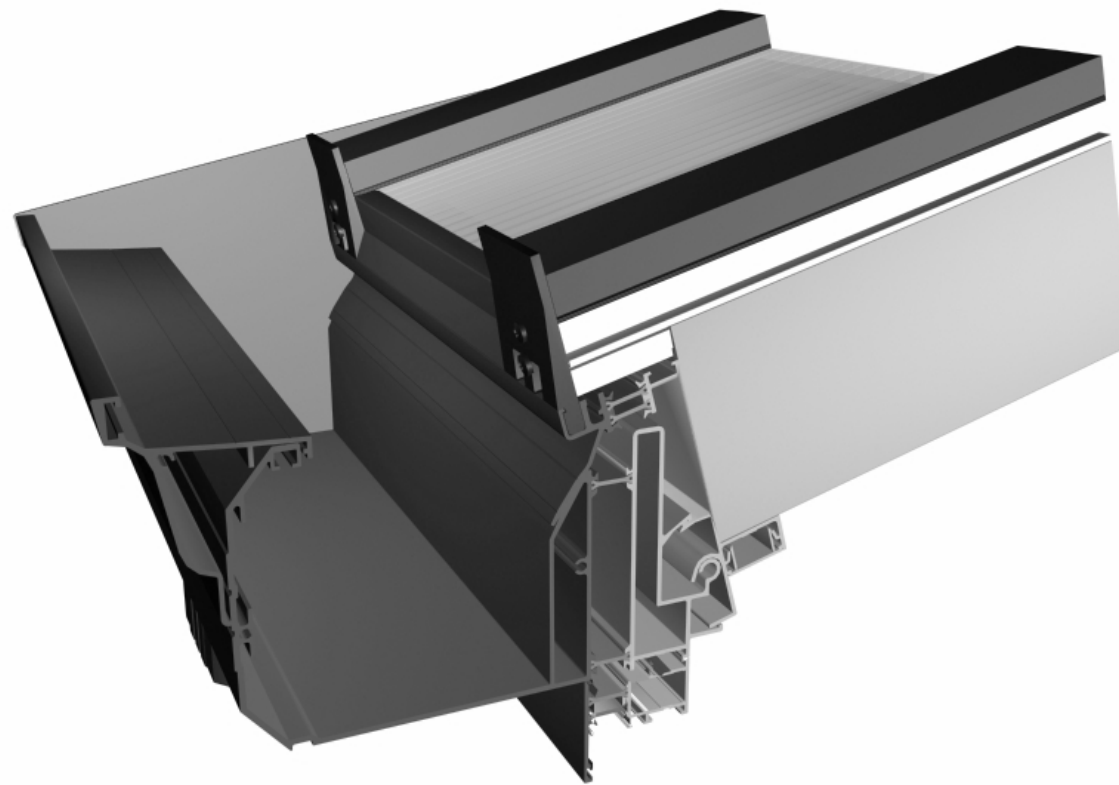


| Y | a = 22°-45° | VR2217 + VR2426 / VR426 | | | | | | | | | | VR2217 + VR2427 / VR427 | | | | | | | | | | | | | |
|-----|-------------|-------------------------|-----|-----|-----|-----|-----|-----|-----|-----|-----|-------------------------|-----|-----|-----|-----|-----|-----|-----|-----|-----|-----|-----|-----|-----|
| a | A | 22 | 23 | 24 | 25 | 26 | 27 | 28 | 29 | 30 | 31 | 32 | 33 | 34 | 35 | 36 | 37 | 38 | 39 | 40 | 41 | 42 | 43 | 44 | 45 |
| 140 | 50 | 50 | 50 | 50 | 50 | 50 | 50 | 55 | 55 | 55 | 45 | 45 | 45 | 45 | 45 | 50 | 50 | 50 | 50 | 55 | 55 | 55 | 60 | 60 | 60 |
| 145 | 55 | 55 | 55 | 55 | 55 | 55 | 60 | 60 | 60 | 60 | 50 | 50 | 50 | 55 | 55 | 55 | 55 | 55 | 60 | 60 | 60 | 65 | 65 | 65 | 70 |
| 150 | 60 | 60 | 60 | 60 | 60 | 65 | 65 | 65 | 65 | 65 | 55 | 55 | 60 | 60 | 60 | 60 | 60 | 65 | 65 | 65 | 70 | 70 | 70 | 75 | 75 |
| 155 | 65 | 65 | 65 | 65 | 70 | 70 | 70 | 70 | 70 | 75 | 60 | 65 | 65 | 65 | 65 | 65 | 70 | 70 | 70 | 75 | 75 | 75 | 80 | 80 | 85 |
| 160 | 70 | 70 | 70 | 70 | 75 | 75 | 75 | 75 | 75 | 80 | 70 | 70 | 70 | 70 | 70 | 75 | 75 | 75 | 80 | 80 | 80 | 85 | 85 | 90 | 90 |
| 165 | 75 | 75 | 75 | 80 | 80 | 80 | 80 | 80 | 85 | 85 | 75 | 75 | 75 | 75 | 80 | 80 | 80 | 80 | 85 | 85 | 90 | 90 | 90 | 95 | 95 |
| 170 | 80 | 80 | 80 | 85 | 85 | 85 | 85 | 85 | 90 | 90 | 80 | 80 | 80 | 85 | 85 | 85 | 85 | 90 | 90 | 95 | 95 | 95 | 100 | 100 | 105 |
| 175 | 85 | 85 | 85 | 90 | 90 | 90 | 90 | 95 | 95 | 95 | 85 | 85 | 85 | 90 | 90 | 90 | 95 | 95 | 95 | 100 | 100 | 105 | 105 | 110 | 110 |
| 180 | 90 | 90 | 95 | 95 | 95 | 95 | 100 | 100 | 100 | 100 | 90 | 90 | 95 | 95 | 95 | 100 | 100 | 100 | 105 | 105 | 110 | 110 | 115 | 115 | 120 |
| 185 | 95 | 95 | 100 | 100 | 100 | 100 | 105 | 105 | 105 | 105 | 95 | 100 | 100 | 100 | 100 | 105 | 105 | 110 | 110 | 110 | 115 | 115 | 120 | 125 | 125 |
| 190 | 100 | 105 | 105 | 105 | 105 | 110 | 110 | 110 | 115 | 115 | 105 | 105 | 105 | 105 | 110 | 110 | 110 | 115 | 115 | 120 | 120 | 125 | 125 | 130 | 135 |
| 195 | 105 | 110 | 110 | 110 | 110 | 115 | 115 | 115 | 120 | 120 | 110 | 110 | 110 | 115 | 115 | 115 | 120 | 120 | 125 | 125 | 130 | 130 | 135 | 135 | 140 |
| 200 | 110 | 115 | 115 | 115 | 120 | 120 | 120 | 125 | 125 | 125 | 115 | 115 | 115 | 120 | 120 | 125 | 125 | 125 | 130 | 130 | 135 | 135 | 140 | 145 | 145 |



| C1 | a = 22°-45° | VR2217 + VR2426 / VR426 | | | | | | | | | | VR2217 + VR2427 / VR427 | | | | | | | | | | | | | |
|-----|-------------|-------------------------|------|------|------|------|------|------|------|------|-------|-------------------------|-------|-------|-------|------|------|------|------|------|------|------|------|------|------|
| a | A | 22 | 23 | 24 | 25 | 26 | 27 | 28 | 29 | 30 | 31 | 32 | 33 | 34 | 35 | 36 | 37 | 38 | 39 | 40 | 41 | 42 | 43 | 44 | 45 |
| 140 | -11,1 | -8,4 | -5,7 | -2,9 | 0 | 2,9 | 5,8 | 8,8 | 11,9 | 14,7 | -21,9 | -19,1 | -16,3 | -13,4 | -10,5 | -7,4 | -4,4 | -1,2 | 2 | 5,4 | 8,8 | 12,3 | 15,9 | 19,7 | 23,5 |
| 145 | -9,1 | -6,3 | -3,4 | -0,5 | 2,4 | 5,4 | 8,5 | 11,6 | 14,7 | 17,6 | -18,9 | -16 | -13 | -10 | -7 | -3,8 | -0,6 | 2,7 | 6,1 | 9,6 | 13,1 | 16,8 | 20,6 | 24,5 | 28,5 |
| 150 | -7,1 | -4,2 | -1,2 | 1,8 | 4,8 | 7,9 | 11,1 | 14,3 | 17,6 | 20,5 | -15,9 | -12,9 | -9,8 | -6,7 | -3,5 | -0,2 | 3,2 | 6,6 | 10,1 | 13,8 | 17,5 | 21,3 | 25,3 | 29,3 | 33,5 |
| 155 | -5,1 | -2,1 | 1 | 4,1 | 7,3 | 10,5 | 13,8 | 17,1 | 20,5 | 23,4 | -12,9 | -9,7 | -6,6 | -3,3 | 0 | 3,5 | 6,9 | 10,5 | 14,2 | 18 | 21,8 | 25,8 | 29,9 | 34,2 | 38,5 |
| 160 | -3 | 0,1 | 3,2 | 6,5 | 9,7 | 13 | 16,4 | 19,9 | 23,4 | 26,3 | -9,9 | -6,6 | -3,3 | 0,1 | 3,5 | 7,1 | 10,7 | 14,4 | 18,2 | 22,1 | 26,2 | 30,3 | 34,6 | 39 | 43,5 |
| 165 | -1 | 2,2 | 5,5 | 8,8 | 12,2 | 15,6 | 19,1 | 22,7 | 26,3 | 29,2 | -6,9 | -3,5 | -0,1 | 3,5 | 7 | 10,7 | 14,5 | 18,3 | 22,3 | 26,3 | 30,5 | 34,8 | 39,2 | 43,8 | 48,5 |
| 170 | 1 | 4,3 | 7,7 | 11,1 | 14,6 | 18,1 | 21,7 | 25,4 | 29,2 | 32,1 | -3,9 | -0,4 | 3,2 | 6,8 | 10,5 | 14,3 | 18,2 | 22,2 | 26,3 | 30,5 | 34,9 | 39,3 | 43,9 | 48,6 | 53,5 |
| 175 | 3 | 6,4 | 9,9 | 13,4 | 17 | 20,7 | 24,4 | 28,2 | 32,1 | 35 | -0,9 | 2,7 | 6,4 | 10,2 | 14 | 18 | 22 | 26,1 | 30,4 | 34,7 | 39,2 | 43,8 | 48,6 | 53,5 | 58,5 |
| 180 | 5 | 8,6 | 12,1 | 15,8 | 19,5 | 23,2 | 27,1 | 31 | 35 | 37,8 | 2,1 | 5,9 | 9,7 | 13,6 | 17,5 | 21,6 | 25,8 | 30 | 34,4 | 38,9 | 43,6 | 48,3 | 53,2 | 58,3 | 63,5 |
| 185 | 7,1 | 10,7 | 14,4 | 18,1 | 21,9 | 25,8 | 29,7 | 33,7 | 37,8 | 40,7 | 5,1 | 9 | 12,9 | 16,9 | 21 | 25,2 | 29,5 | 34 | 38,5 | 43,1 | 47,9 | 52,8 | 57,9 | 63,1 | 68,5 |
| 190 | 9,1 | 12,8 | 16,6 | 20,4 | 24,4 | 28,3 | 32,4 | 36,5 | 40,7 | 43,6 | 8,1 | 12,1 | 16,2 | 20,3 | 24,5 | 28,9 | 33,3 | 37,9 | 42,5 | 47,3 | 52,3 | 57,3 | 62,6 | 68 | 73,5 |
| 195 | 11,1 | 14,9 | 18,8 | 22,8 | 26,8 | 30,9 | 35 | 39,3 | 43,6 | 46,5 | 11,2 | 15,2 | 19,4 | 23,7 | 28,1 | 32,5 | 37,1 | 41,8 | 46,6 | 51,5 | 56,6 | 61,8 | 67,2 | 72,8 | 78,5 |
| 200 | 13,1 | 17,1 | 21 | 25,1 | 29,2 | 33,4 | 37,7 | 42,1 | 46,5 | 49,4 | 14,2 | 18,4 | 22,7 | 27,1 | 31,6 | 36,1 | 40,9 | 45,7 | 50,6 | 55,7 | 60,9 | 66,3 | 71,9 | 77,6 | 83,5 |

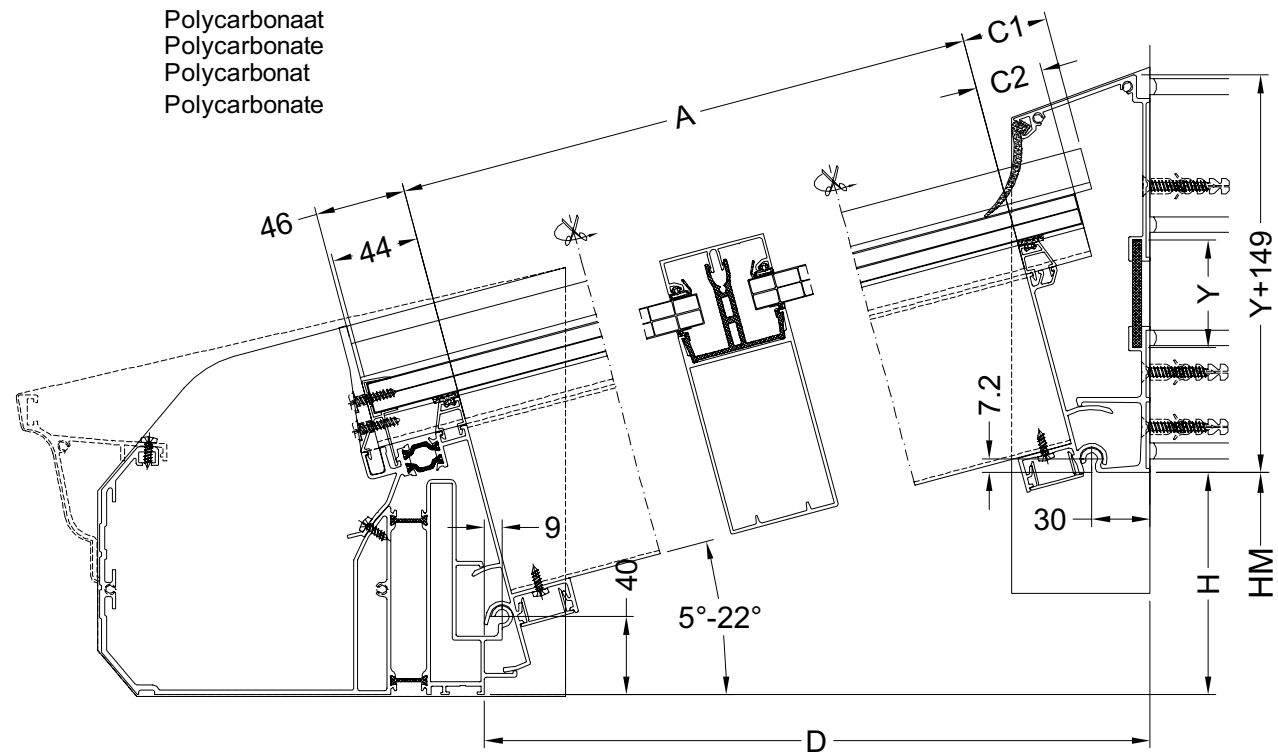




**ZAAGTABELLEN MET POLYCARBONAAT
TABLES DE SCIAGES AVEC POLYCARBONATE
ZUSCHNITT-TABELLEN MIT POLYCARBONAT
SAWING TABLES WITH POLYCARBONATE**

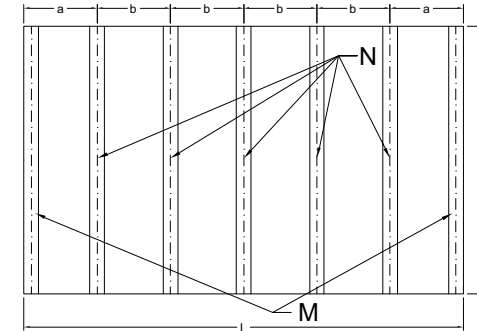
VERANDA MET POLYCARBONAAT VAN 5° TOT 22°
VERANDA AVEC POLYCARBONATE DE 5° JUSQU'A 22°
WINTERGARTEN MIT POLYCARBONAT VON 5° BIS 22°
CONSERVATORY WITH POLYCARBONATE FROM 5° UP TO 22°

ZAAGTABELLEN - TABLES DE SCIAGES - ZUSCHNITT-TABELLEN - SAWING TABLES



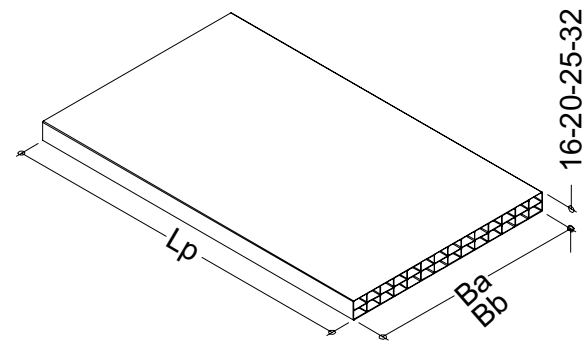
$\alpha = 5^\circ - 15^\circ \rightarrow$ VR426
 $\alpha = 15^\circ - 22^\circ \rightarrow$ VR427

C1/C2/Y : zie berekeningstabel
C1/C2/Y : voir tableau de calcul
C1/C2/Y : siehe Berechnungstabelle
C1/C2/Y : see calculation table



N = Aantal Dakliggers
Nombre de montants
Anzahl Balken
Number of Beams
M = Aantal Zijliggers
Montants de cote
Anzahl Seitenbalken
Number of Sidebeams
** = 2x kozjndiepte
2x epaisseur dormant
2x rahmentiefe
2x frame depth

| |
|---|
| L |
| D |
| HM |
| HG |
| H=HM-HG |
| N |
| M |
| $A = \sqrt{(D-39)^2 + (H-32.8)^2} - 16$ |
| $\alpha = \text{ARCTAN} \left[\frac{H-32.8}{D-39} \right]$ |



| | AANTAL QUANTITE ANZAHL NUMBER | FORMULE FORMULE FORMEL FORMULA |
|----|--|---|
| Lp | | A+C2+44 |
| Ba | 2 | a-55 |
| Bb | N-1 | b-27 |

| TOEBEHOREN ACCESSOIRES ZUBEHÖRTEILE ACCESSORIES | AANTAL QUANTITE ANZAHL NUMBER | FORMULE FORMULE FORMEL FORMULA |
|--|--|---|
| ACVR201 | 2x(N+M) | A+C1+46 |
| ACMC016 | 1 | (VR2021/VR2121) |
| ACMC016 | 1 | (VR425) |
| ACVR202 | 1 | (VR426/VR427) |
| ACVR6xx | L/1000 | |
| ACVR2021/ACVR2023 | | 2 |
| ACVR2121/ACVR2123 | | |
| ACVR2426 | 2 | |
| ACVR2427 | | |

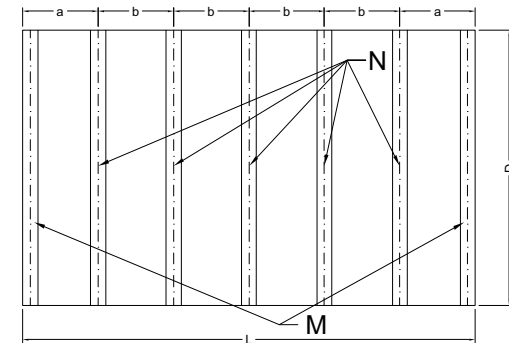
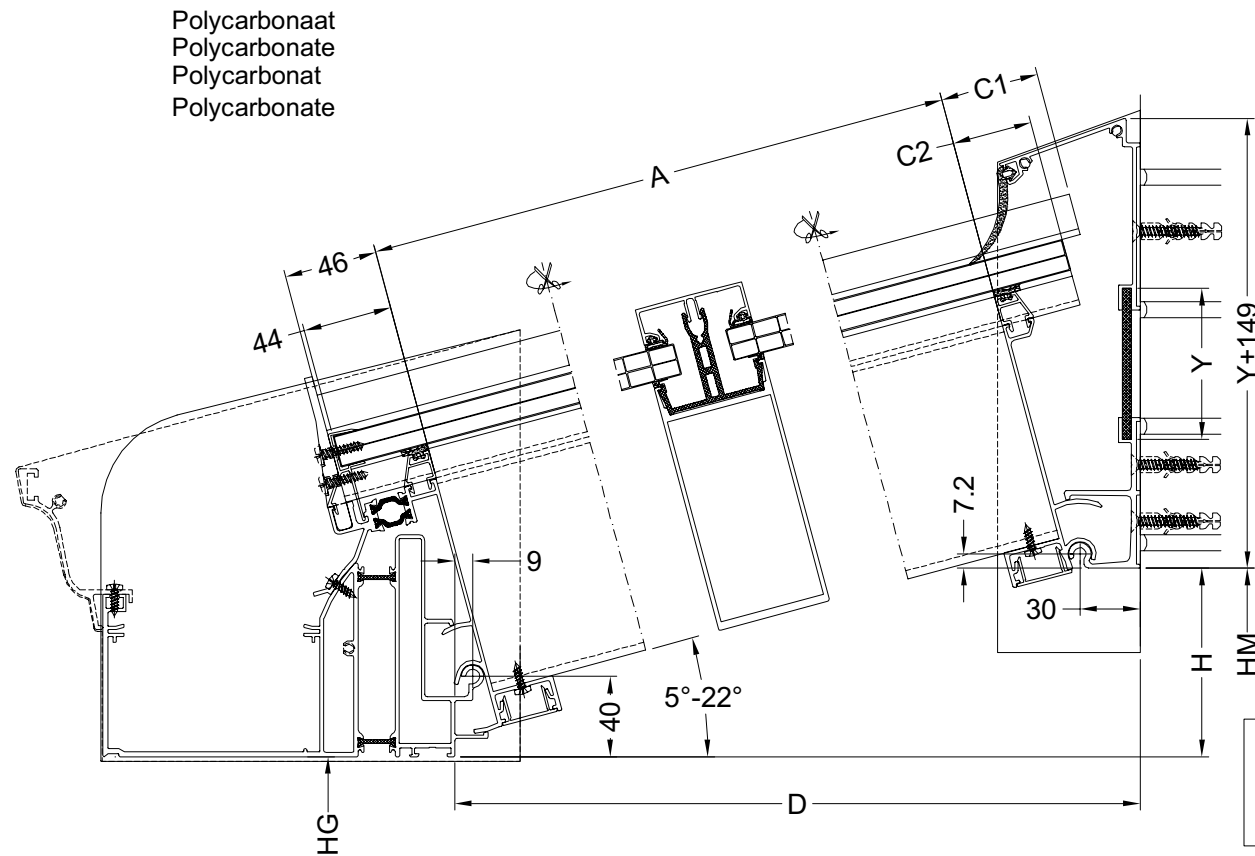
| Polycarbonaat Polycarbonate Polycarbonat Polycarbonate | 16mm 20mm 25mm | 32mm | |
|---|----------------------|----------|-----|
| | ACVR1015 | ACVR2015 | N+M |

| PROFIELN PROFILS PROFILE PROFILES | AFBEELDING IMAGE BILD PICTURE | SNEDE COUPE SCHNITT PROFILES | AANTAL QUANTITE ANZAHL NUMBER | FORMULE FORMULE FORMEL FORMULA |
|--|--|---------------------------------------|--|---|
| VR2021(+VT123) | | | 1 | L |
| VR2121(+VR123) | | | 1 | L |
| VR2017 | | | 1 | L |
| VR217 | | | 1 | L-** |
| VR425 | | | 1 | L-** |
| VR426 | | | 1 | L |
| VR427 | | | 1 | L |
| VR011N | | | N | A |
| VR212 | | | M | A+(105*TANa) |
| VR515 | | | M | A+C2+46 |
| VR515A | | | N | A+C2+46 |
| VR565 | | | 2*(N-1) | b-53.5 |
| VR565 | | | 4 | a-82 |

| Polycarbonaat Polycarbonate Polycarbonat Polycarbonate | 16mm | 20mm | 25mm | 32mm | | | | |
|---|--------|--------|--------|--------|--|--|-----|---------|
| | VR030 | VR034 | VR036 | VR032 | | | N | A+C1+46 |
| | VR031 | VR035 | VR037 | VR033 | | | M | A+C1+46 |
| | VR1040 | VR1042 | VR1043 | VR1041 | | | N-1 | b-27 |
| | VR1040 | VR1042 | VR1043 | VR1041 | | | 2 | a-55 |

VERANDA MET POLYCARBONAAT VAN 5° TOT 22°
VERANDA AVEC POLYCARBONATE DE 5° JUSQU'À 22°
WINTERGARTEN MIT POLYCARBONAT VON 5° BIS 22°
CONSERVATORY WITH POLYCARBONATE FROM 5° UP TO 22°

ZAAGTABELLEN - TABLES DE SCIAGES - ZUSCHNITT-TABELLEN - SAWING TABLES



N = Aantal Dakliggers
Nombre de montants
Anzahl Balken
Number of Beams

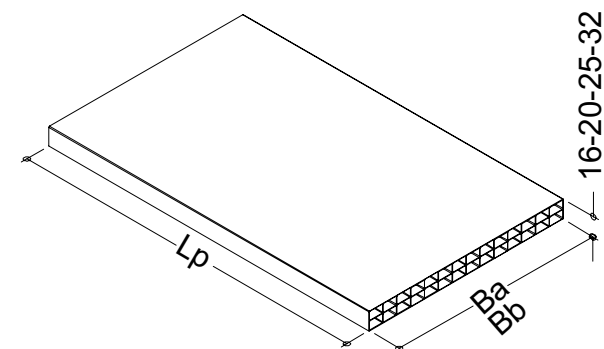
M = Aantal Zijliggers
Montants de cote
Anzahl Seitenbalken
Number of Sidebeams

** = 2x kozjndiepte
2x epaisseur dormant
2x rahmentiefe
2x frame depth

$\alpha = 5^\circ - 15^\circ \rightarrow$ VR426
 $\alpha = 15^\circ - 22^\circ \rightarrow$ VR427

C1/C2/Y : zie berekeningstabel
C1/C2/Y : voir tableau de calcul
C1/C2/Y : siehe Berechnungstabelle
C1/C2/Y : see calculation table

| |
|--|
| L |
| D |
| HM |
| HG |
| H=HM-HG |
| N |
| M |
| $A = \sqrt{(D-39)^2 + (H-32.8)^2} - 400 - 16$ |
| $\alpha = \text{ARCTAN} \left[\frac{H-32.8}{D-39} \right] + \text{ARCSIN} \left[\frac{20}{\sqrt{(D-39)^2 + (H-32.8)^2}} \right]$ |



| | AANTAL QUANTITE ANZAHL NUMBER | FORMULE FORMULE FORMEL FORMULA |
|----|--|---|
| Lp | | A+C2+44 |
| Ba | 2 | a-55 |
| Bb | N-1 | b-27 |

| TOEBEHOREN ACCESSOIRES ZUBEHÖRTEILE ACCESSORIES | AANTAL QUANTITE ANZAHL NUMBER | FORMULE FORMULE FORMEL FORMULA |
|--|--|---|
| ACVR201 | 2x(N+M) | A+C1+46 |
| ACMC016 | 1 | (VR2021/VR2121) |
| ACMC016 | 1 | (VR425) |
| ACVR202 | 1 | (VR426/VR427) |
| ACVR6xx | L/1000 | |
| ACVR2021/ACVR2023 | | 2 |
| ACVR2121/ACVR2123 | | |
| ACVR2426 | 2 | |
| ACVR2427 | | |

| Polycarbonaat Polycarbonate Polycarbonat Polycarbonate | 16mm 20mm 25mm | 32mm | |
|---|----------------------|----------|-----|
| | ACVR1015 | ACVR2015 | N+M |

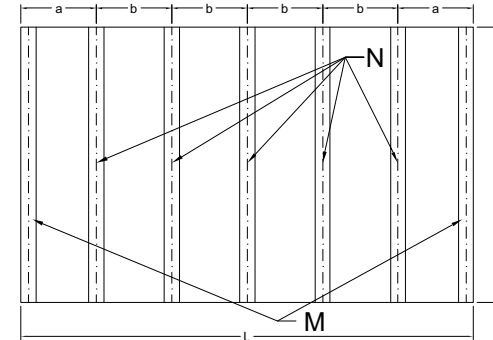
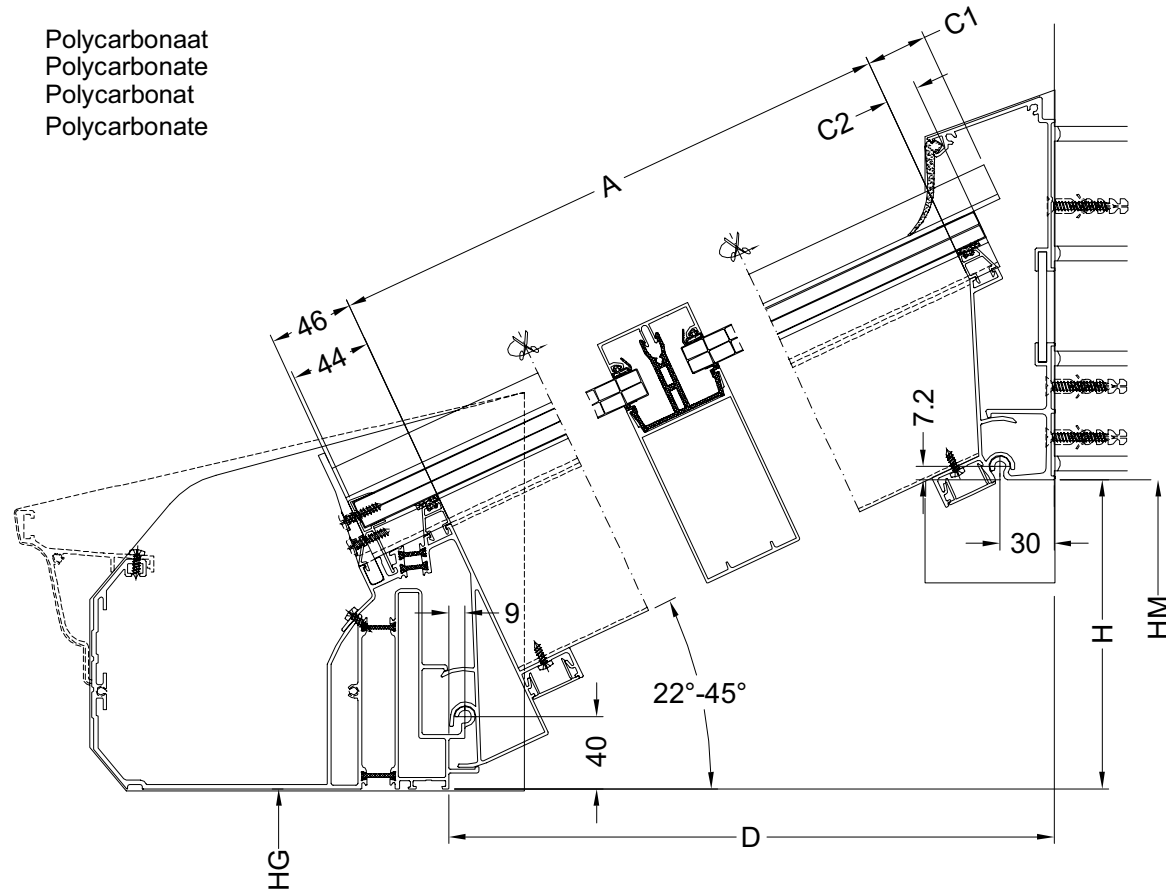
| PROFIELEN PROFILS PROFILE | AFBEELDING IMAGE BILD PICTURE | SNEDE COUPE SCHNITT PROFILES | AANTAL QUANTITE ANZAHL NUMBER | FORMULE FORMULE FORMEL FORMULA |
|---------------------------------|--|---------------------------------------|--|---|
| VR2021(+VT123) | | | 1 | L |
| VR2121(+VR123) | | | 1 | L |
| VR2016 | | | 1 | L |
| VR2216 | | | 1 | L-** |
| VR425 | | | 1 | L-** |
| VR426 | | | 1 | L |
| VR427 | | | 1 | L |
| VR2011 | | | N | A |
| VR212 | | | M | A+(105*TANa) |
| VR515 | | | M | A+C2+46 |
| VR515A | | | N | A+C2+46 |
| VR565 | | | 2*(N-1) | b-53.5 |
| VR565 | | | 4 | a-82 |

| Polycarbonaat Polycarbonate Polycarbonat Polycarbonate | 16mm | 20mm | 25mm | 32mm | | | | |
|---|--------|--------|--------|--------|--|--|-----|---------|
| | VR030 | VR034 | VR036 | VR032 | | | N | A+C1+46 |
| | VR031 | VR035 | VR037 | VR033 | | | M | A+C1+46 |
| | VR1040 | VR1042 | VR1043 | VR1041 | | | N-1 | b-27 |
| | VR1040 | VR1042 | VR1043 | VR1041 | | | 2 | a-55 |

VERANDA MET POLYCARBONAAT VAN 22° TOT 45°
VERANDA AVEC POLYCARBONATE DE 22° JUSQU'A 45°
WINTERGARTEN MIT POLYCARBONAT VON 22° BIS 45°
CONSERVATORY WITH POLYCARBONATE FROM 22° UP TO 45°

ZAAGTABELLEN - TABLES DE SCIAGES - ZUSCHNITT-TABELLEN - SAWING TABLES

Polycarbonaat
Polycarbonat
Polycarbonat
Polycarbonat



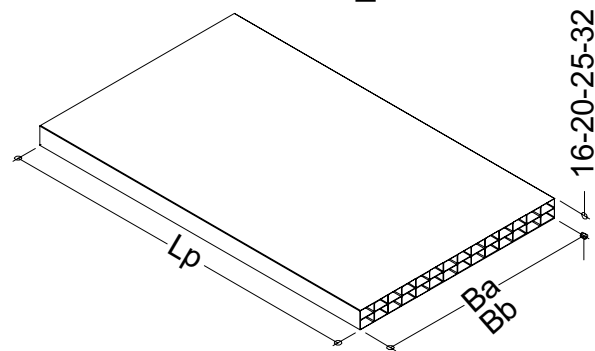
N = Aantal Dakliggers
Nombre de montants
Anzahl Balken
Number of Beams

M = Aantal Zijliggers
Montants de cote
Anzahl Seitenbalken
Number of Sidebeams

** = 2x kozjndiepte
2x epaisseur domant
2x rahmentiefe
2x frame depth

C1/C2/Y : zie berekeningstabel
C1/C2/Y : voir tableau de calcul
C1/C2/Y : sieh Berechnungstabelle
C1/C2/Y : see calculation table

| |
|---|
| L |
| D |
| HM |
| HG |
| H=HM-HG |
| N |
| M |
| $A = \sqrt{(D-39)^2 + (H-32.8)^2} - 9.7$ |
| $\alpha = \text{ARCTAN} \left[\frac{H-32.8}{D-39} \right]$ |



| TOEBEHOREN ACCESSOIRES ZUBEHÖRTEILE ACCESSORIES | AANTAL QUANTITE ANZAHL NUMBER | FORMULE FORMULE FORMEL FORMULA |
|--|--|---|
| ACVR201 | 2x(N+M) | A+C1+46 |
| ACMC016 | 1 | (VR2021/VR2121) |
| ACMC016 | 1 | (VR425) |
| ACMS02 | 1 | (VR427) |
| ACVR6xx | L/1000 | |
| ACVR2021/ACVR2023 | | 2 |
| ACVR2121/ACVR2123 | | |
| ACVR2427 | 2 | |

| | AANTAL QUANTITE ANZAHL NUMBER | FORMULE FORMULE FORMEL FORMULA |
|----|--|---|
| Lp | | A+C2+44 |
| Ba | 2 | a-55 |
| Bb | N-1 | b-27 |

| Polycarbonaat Polycarbonat Polycarbonat Polycarbonat | 16mm 20mm 25mm | 32mm | |
|---|----------------------|------|--|
| ACVR1015 | ACVR2015 | N+M | |

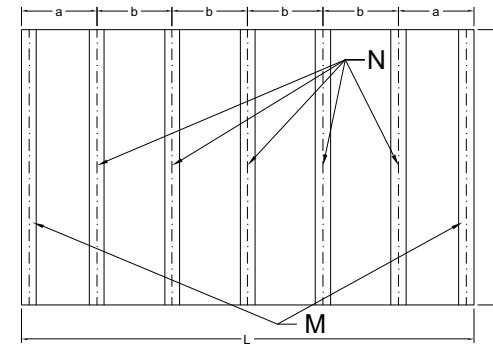
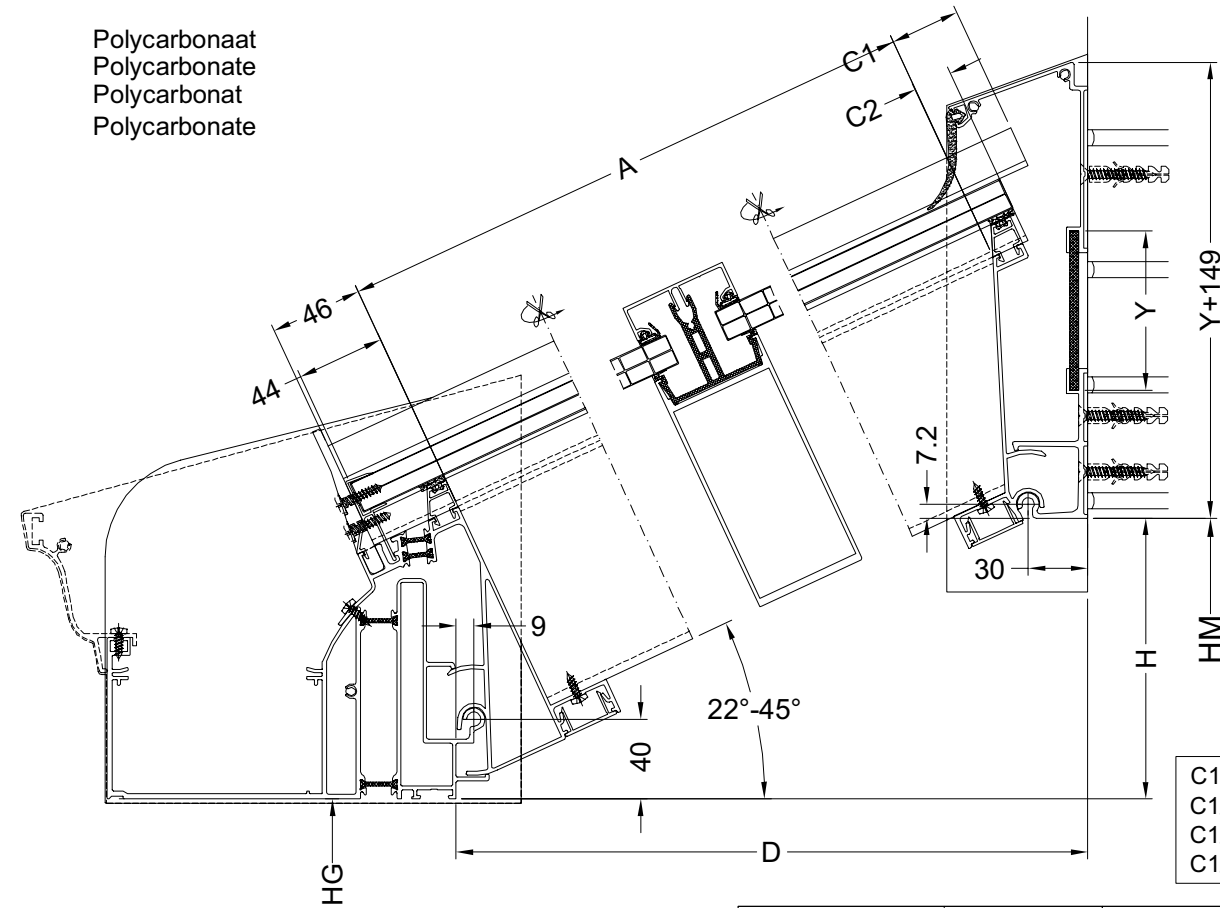
| PROFIELEN PROFILS PROFILE PROFILES | AFBEELDING IMAGE BILD PICTURE | SNEDE COUPE SCHNITT PROFILES | AANTAL QUANTITE ANZAHL NUMBER | FORMULE FORMULE FORMEL FORMULA |
|---|--|---------------------------------------|--|---|
| VR2021(+VT123) | | | 1 | L |
| VR2121(+VR123) | | | 1 | L |
| VR2117 | | | 1 | L |
| VR218 | | | 1 | L-** |
| VR425 | | | 1 | L-** |
| VR426 | | | 1 | L |
| VR011N | | | N | A+6 |
| VR212 | | | M | A+6 |
| VR515 | | | M | A+C2+46 |
| VR515A | | | N | A+C2+46 |
| VR565 | | | 2*(N-1) | b-53.5 |
| VR565 | | | 4 | a-82 |

| Polycarbonaat Polycarbonat Polycarbonat Polycarbonat | 16mm | 20mm | 25mm | 32mm | | | | |
|---|--------|--------|--------|------|--|-----|---------|--|
| VR030 | VR034 | VR036 | VR032 | | | N | A+C1+46 | |
| VR031 | VR035 | VR037 | VR033 | | | M | A+C1+46 | |
| VR1040 | VR1042 | VR1043 | VR1041 | | | N-1 | b-27 | |
| VR1040 | VR1042 | VR1043 | VR1041 | | | 2 | a-55 | |

VERANDA MET POLYCARBONAAT VAN 22° TOT 45°
VERANDA AVEC POLYCARBONATE DE 22° JUSQU'A 45°
WINTERGARTEN MIT POLYCARBONAT VON 22° BIS 45°
CONSERVATORY WITH POLYCARBONATE FROM 22° UP TO 45°

ZAAGTABELLEN - TABLES DE SCIAGES - ZUSCHNITT-TABELLEN - SAWING TABLES

Polycarbonaat
Polycarbonate
Polycarbonat
Polycarbonate

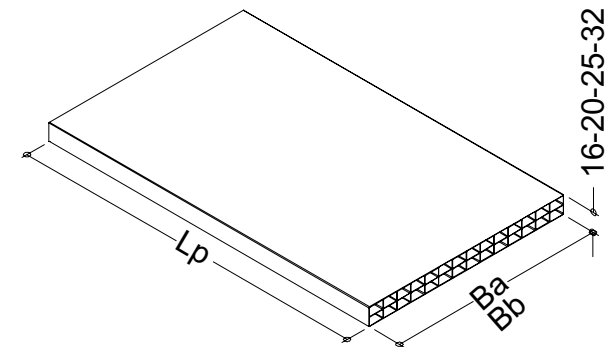


N = Aantal Dakliggers
Nombre de montants
Number of Beams
M = Aantal Zijliggers
Montants de cote
Anzahl Seitenbalken
Number of Sidebeams
** = 2x kozjindiepte
2x epaisseur dormant
2x rahmentiefe
2x frame depth

$\alpha = 22^\circ-30^\circ \rightarrow$ VR426
 $\alpha = 31^\circ-45^\circ \rightarrow$ VR427

C1/C2/Y : zie berekeningstabel
C1/C2/Y : voir tableau de calcul
C1/C2/Y : siehe Berechnungstabelle
C1/C2/Y : see calculation table

| |
|--|
| L |
| D |
| HM |
| HG |
| H=HM-HG |
| N |
| M |
| $A = \sqrt{(D-39)^2 + (H-32.8)^2} - 400 - 1.9$ |
| $\alpha = \text{ARCTAN} \left[\frac{H-32.8}{D-39} \right] + \text{ARCSIN} \left[\frac{20}{\sqrt{(D-39)^2 + (H-32.8)^2}} \right]$ |



| | AANTAL QUANTITE ANZAHL NUMBER | FORMULE FORMULE FORMEL FORMULA |
|----|--|---|
| Lp | | A+C2+44 |
| Ba | 2 | a-55 |
| Bb | N-1 | b-27 |

| TOEBEHOREN ACCESSOIRES ZUBEHÖRTEILE ACCESSORIES | AANTAL QUANTITE ANZAHL NUMBER | FORMULE FORMULE FORMEL FORMULA |
|--|--|---|
| ACVR201 | 2x(N+M) | A+C1+46 |
| ACMC016 | 1 | (VR2021/VR2121) |
| ACMC016 | 1 | (VR425) |
| ACMS02 | 1 | (VR426/VR427) |
| ACVR6xx | L/1000 | |
| ACVR140 | 1 | |
| ACVR2021/ACVR2023 | | 2 |
| ACVR2121/ACVR2123 | | |
| ACVR2426 | 2 | |
| ACVR2427 | | |

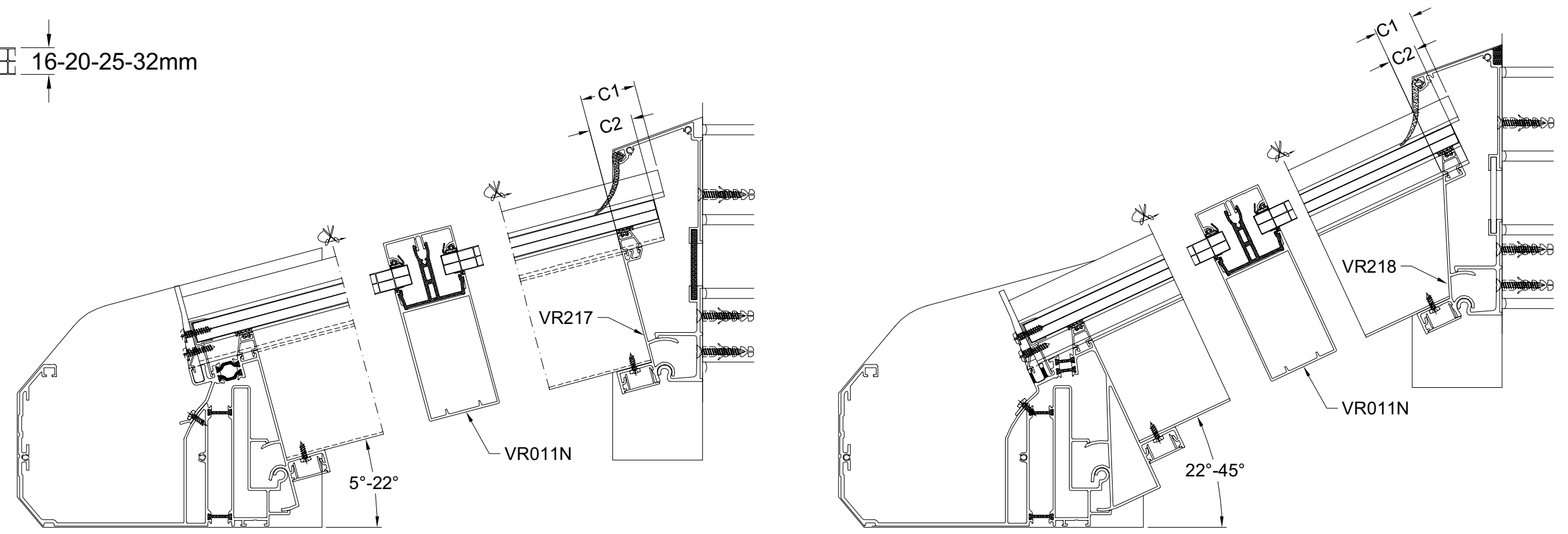
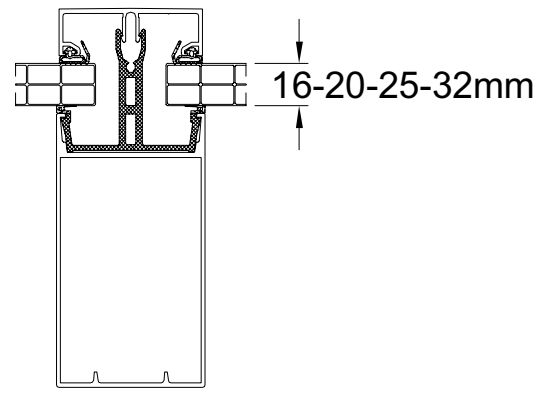
| Polycarbonaat Polycarbonate Polycarbonat Polycarbonate | 16mm 20mm 25mm | 32mm | N+M |
|---|----------------------|------|-----|
| ACVR1015 | ACVR2015 | | |

| PROFIELEN PROFILS PROFILE PROFILES | AFBEELDING IMAGE BILD PICTURE | SNEDE COUPE SCHNITT PROFILES | AANTAL QUANTITE ANZAHL NUMBER | FORMULE FORMULE FORMEL FORMULA |
|---|--|---------------------------------------|--|---|
| VR2021(+VT123) | | | 1 | L |
| VR2121(+VR123) | | | 1 | L |
| VR2116 | | | 1 | L |
| VR2217 | | | 1 | L-** |
| VR425 | | | 1 | L-** |
| VR426 | | | 1 | L |
| VR427 | | | 1 | L |
| VR2011 | | | N | A+6.3 |
| VR212 | | | M | A+6.3 |
| VR515 | | | M | A+C2+46 |
| VR515A | | | N | A+C2+46 |
| VR565 | | | 2*(N-1) | b-53.5 |
| VR565 | | | 4 | a-82 |

| Polycarbonaat Polycarbonate Polycarbonat Polycarbonate | 16mm | 20mm | 25mm | 32mm | | | | |
|---|--------|--------|--------|------|--|-----|---------|--|
| VR030 | VR034 | VR036 | VR032 | | | N | A+C1+46 | |
| VR031 | VR035 | VR037 | VR033 | | | M | A+C1+46 | |
| VR1040 | VR1042 | VR1043 | VR1041 | | | N-1 | b-27 | |
| VR1040 | VR1042 | VR1043 | VR1041 | | | 2 | a-55 | |

BEREKENING C1 / C2 VAN 5° TOT 45°
CALCULATION C1 / C2 DE 5° JUSQU'A 45°
BERECHNUNG C1 / C2 VON 5° BIS 45°
CALCULATION C1 / C2 FROM 5° UP TO 45°

ZAAGTABELLEN - TABLES DE SCIAGES - ZUSCHNITT-TABELLEN - SAWING TABLES



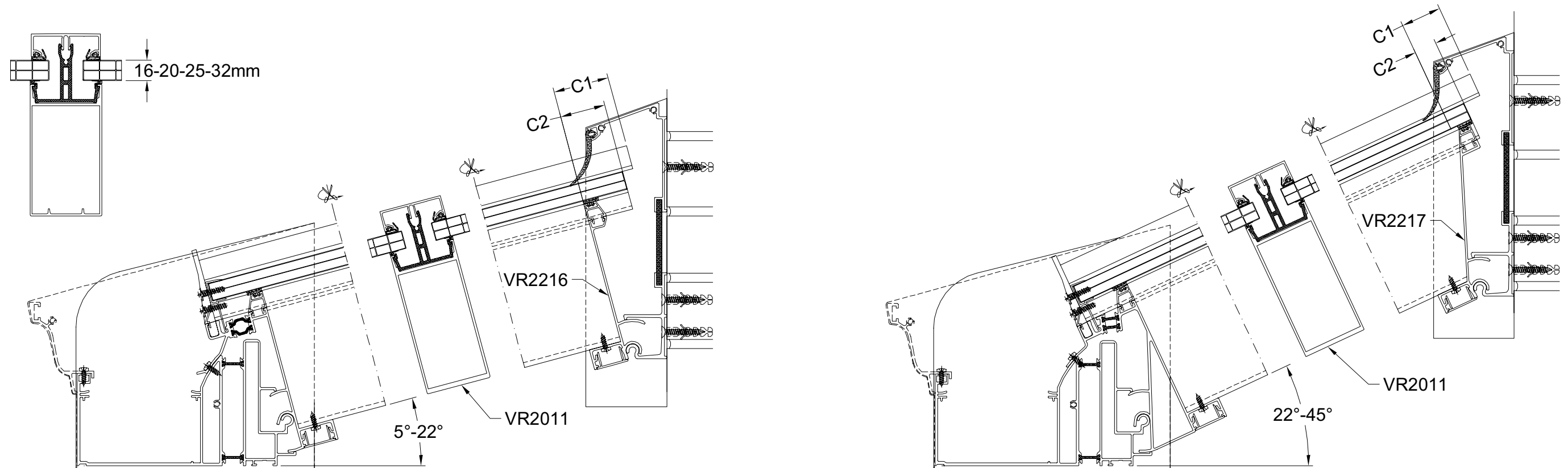
| C1 | a = 5°-22° | | | | | | | | | | | | | | | | | |
|----|------------|------|------|------|------|------|------|------|------|------|------|------|------|------|------|------|------|------|
| | 5 | 6 | 7 | 8 | 9 | 10 | 11 | 12 | 13 | 14 | 15 | 16 | 17 | 18 | 19 | 20 | 21 | 22 |
| 16 | 15,9 | 18,3 | 20,6 | 23 | 25,4 | 27,8 | 30,2 | 32,6 | 35 | 37,5 | 40 | 42,5 | 45 | 47,5 | 50,1 | 52,7 | 55,4 | 58 |
| 20 | 16,3 | 18,7 | 21,1 | 23,6 | 26 | 28,5 | 31 | 33,4 | 36 | 38,5 | 41 | 43,6 | 46,2 | 48,8 | 51,5 | 54,2 | 56,9 | 59,7 |
| 25 | 16,7 | 19,2 | 21,7 | 24,3 | 26,8 | 29,4 | 31,9 | 34,5 | 37,1 | 39,7 | 42,4 | 45,1 | 47,7 | 50,5 | 53,2 | 56 | 58,8 | 61,7 |
| 32 | 17,3 | 19,9 | 22,6 | 25,2 | 27,9 | 30,6 | 33,3 | 36 | 38,7 | 41,5 | 44,3 | 47,1 | 49,9 | 52,7 | 55,6 | 58,6 | 61,5 | 64,5 |
| C2 | 14,5 | 16,6 | 18,7 | 20,7 | 22,8 | 24,9 | 27,1 | 29,2 | 31,3 | 33,5 | 35,7 | 37,9 | 40,1 | 42,3 | 44,6 | 46,9 | 49,2 | 51,6 |

| C1 | a = 22°-45° | | | | | | | | | | | | | | | | | | | | | | |
|----|-------------|------|------|------|------|------|------|------|------|------|------|------|------|------|------|------|------|------|------|-------|-------|-------|-------|
| | 22 | 23 | 25 | 26 | 27 | 28 | 29 | 30 | 31 | 32 | 33 | 34 | 35 | 36 | 37 | 38 | 39 | 40 | 41 | 42 | 43 | 44 | 45 |
| 16 | 21,9 | 24,7 | 30,2 | 33 | 35,9 | 38,8 | 41,8 | 44,9 | 48 | 51,2 | 54,4 | 57,7 | 61,1 | 64,6 | 68,1 | 71,8 | 75,5 | 79,4 | 83,3 | 87,4 | 91,7 | 96 | 100,5 |
| 20 | 23,7 | 26,4 | 32,2 | 35,1 | 38 | 41,1 | 44,1 | 47,3 | 50,5 | 53,8 | 57,1 | 60,5 | 64 | 67,6 | 71,2 | 75 | 78,9 | 82,8 | 86,9 | 91,1 | 95,5 | 100 | 104,6 |
| 25 | 25,7 | 28,6 | 34,5 | 37,5 | 40,6 | 43,7 | 46,9 | 50,2 | 53,5 | 56,9 | 60,3 | 63,9 | 67,5 | 71,2 | 75 | 78,9 | 82,9 | 87 | 91,3 | 95,6 | 100,2 | 104,8 | 109,6 |
| 32 | 28,5 | 31,5 | 37,8 | 40,9 | 44,2 | 47,5 | 50,8 | 54,2 | 57,7 | 61,2 | 64,9 | 68,6 | 72,4 | 76,3 | 80,3 | 84,4 | 88,6 | 92,9 | 97,4 | 101,9 | 106,7 | 111,6 | 116,6 |
| C2 | 15,6 | 18 | 22,8 | 25,3 | 27,9 | 30,4 | 33,1 | 35,7 | 38,5 | 41,3 | 44,1 | 47 | 50 | 53 | 56,2 | 59,4 | 62,7 | 66,1 | 69,5 | 73,1 | 76,8 | 80,7 | 84,6 |

tabel4

BEREKENING C1 / C2 VAN 5° TOT 45°
CALCULATION C1 / C2 DE 5° JUSQU'À 45°
BERECHNUNG C1 / C2 VON 5° BIS 45°
CALCULATION C1 / C2 FROM 5° UP TO 45°

ZAAGTABELLEN - TABLES DE SCIAGES - ZUSCHNITT-TABELLEN - SAWING TABLES



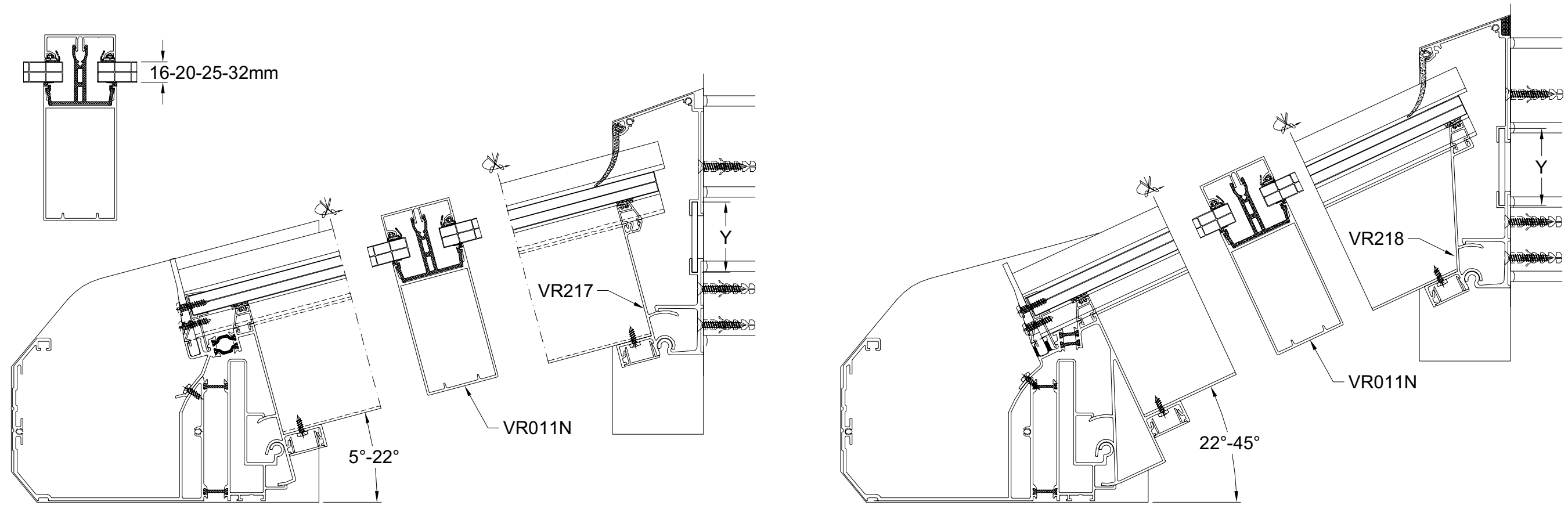
| C1 | a = 5°-22° | | | | | | | | | | | | | | | | | |
|----|------------|------|------|------|------|------|------|------|------|------|------|------|------|------|------|------|------|------|
| | 5 | 6 | 7 | 8 | 9 | 10 | 11 | 12 | 13 | 14 | 15 | 16 | 17 | 18 | 19 | 20 | 21 | 22 |
| 16 | 17,7 | 20,4 | 23,1 | 25,8 | 28,5 | 31,3 | 34,1 | 36,8 | 39,7 | 42,5 | 45,3 | 48,2 | 51,1 | 54 | 57 | 60 | 63 | 66,1 |
| 20 | 18 | 20,8 | 23,6 | 26,4 | 29,2 | 32 | 34,8 | 37,7 | 40,6 | 43,5 | 46,4 | 49,4 | 52,3 | 55,3 | 58,4 | 61,5 | 64,6 | 67,7 |
| 25 | 18,4 | 21,3 | 24,2 | 27,1 | 30 | 32,9 | 35,8 | 38,8 | 41,7 | 44,7 | 47,7 | 50,8 | 53,9 | 57 | 60,1 | 63,3 | 66,5 | 69,8 |
| 32 | 19,1 | 22 | 25 | 28,1 | 31,1 | 34,1 | 37,2 | 40,2 | 43,3 | 46,5 | 49,6 | 52,8 | 56 | 59,2 | 62,5 | 65,8 | 69,2 | 72,6 |
| C2 | 16,3 | 18,7 | 21,1 | 23,6 | 26 | 28,5 | 31 | 33,4 | 36 | 38,5 | 41 | 43,6 | 46,2 | 48,8 | 51,5 | 54,2 | 56,9 | 59,7 |

| C1 | a = 22°-45° | | | | | | | | | | | | | | | | | | | | | | | |
|----|-------------|------|------|------|------|------|------|------|------|------|------|------|------|------|------|------|------|------|-------|-------|-------|-------|-------|-------|
| | 22 | 23 | 24 | 25 | 26 | 27 | 28 | 29 | 30 | 31 | 32 | 33 | 34 | 35 | 36 | 37 | 38 | 39 | 40 | 41 | 42 | 43 | 44 | 45 |
| 16 | 22 | 25,1 | 28,3 | 31,5 | 34,8 | 38,1 | 41,5 | 44,9 | 48,4 | 52 | 55,6 | 59,4 | 63,2 | 67,1 | 71,1 | 75,2 | 79,4 | 83,7 | 88,2 | 92,7 | 97,4 | 102,3 | 107,3 | 112,5 |
| 20 | 23,6 | 26,8 | 30,1 | 33,4 | 36,7 | 40,1 | 43,6 | 47,1 | 50,7 | 54,4 | 58,1 | 62 | 65,9 | 69,9 | 74 | 78,2 | 82,5 | 87 | 91,5 | 96,2 | 101,1 | 106 | 111,2 | 116,5 |
| 25 | 25,7 | 29 | 32,3 | 35,7 | 39,2 | 42,7 | 46,3 | 49,9 | 53,6 | 57,4 | 61,3 | 65,2 | 69,3 | 73,4 | 77,6 | 82 | 86,4 | 91 | 95,7 | 100,6 | 105,6 | 110,7 | 116 | 121,5 |
| 32 | 28,5 | 31,9 | 35,4 | 39 | 42,6 | 46,3 | 50 | 53,8 | 57,7 | 61,6 | 65,6 | 69,8 | 74 | 78,3 | 82,7 | 87,2 | 91,9 | 96,7 | 101,6 | 106,6 | 111,9 | 117,2 | 122,8 | 128,5 |
| C2 | 15,6 | 18,3 | 21,2 | 24,1 | 27 | 29,9 | 33 | 36 | 39,2 | 42,4 | 45,7 | 49 | 52,4 | 55,9 | 59,5 | 63,1 | 66,9 | 70,8 | 74,7 | 78,8 | 83 | 87,4 | 91,9 | 96,5 |

tabel5

BEREKENING Y VAN 5° TOT 45°
CALCULATION Y DE 5° JUSQU'À 45°
BERECHNUNG Y VON 5° BIS 45°
CALCULATION Y FROM 5° UP TO 45°

ZAAGTABELLEN - TABLES DE SCIAGES - ZUSCHNITT-TABELLEN - SAWING TABLES



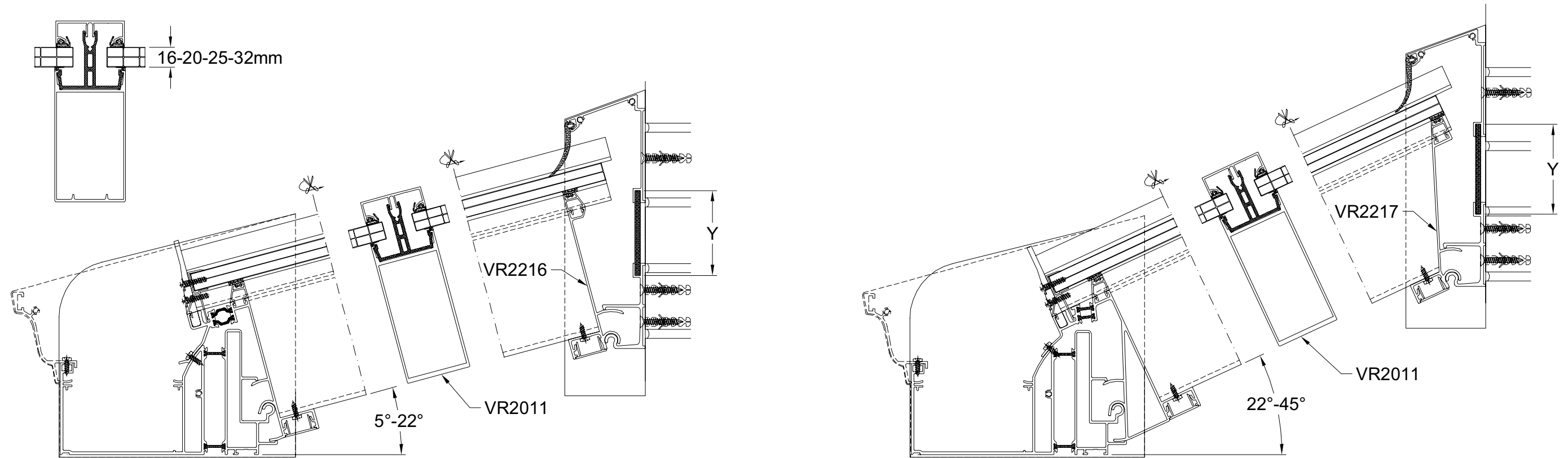
| Y | a = 5°-24° | | | | | | | | | | | | | | | | | |
|----|------------|----|----|----|----|----|----|----|----|----|----|----|----|----|----|----|----|----|
| | 5 | 6 | 7 | 8 | 9 | 10 | 11 | 12 | 13 | 14 | 15 | 16 | 17 | 18 | 19 | 20 | 21 | 22 |
| 16 | 55 | 55 | 55 | 55 | 55 | 55 | 55 | 55 | 55 | 55 | 55 | 50 | 50 | 50 | 50 | 50 | 50 | 55 |
| 20 | 60 | 60 | 60 | 60 | 60 | 60 | 60 | 60 | 60 | 60 | 60 | 55 | 55 | 55 | 55 | 55 | 55 | 60 |
| 25 | 65 | 65 | 65 | 65 | 65 | 65 | 65 | 65 | 65 | 65 | 65 | 60 | 60 | 60 | 60 | 60 | 60 | 65 |
| 32 | 70 | 70 | 70 | 70 | 70 | 70 | 70 | 70 | 70 | 70 | 70 | 65 | 65 | 65 | 65 | 65 | 65 | 70 |

| Y | a = 25°-45° | | | | | | | | | | | | | | | | | | | | | | | |
|----|-------------|----|----|----|----|----|----|----|----|----|----|----|----|----|----|----|----|----|----|----|----|----|----|----|
| | 22 | 23 | 24 | 25 | 26 | 27 | 28 | 29 | 30 | 31 | 32 | 33 | 34 | 35 | 36 | 37 | 38 | 39 | 40 | 41 | 42 | 43 | 44 | 45 |
| 16 | 55 | 55 | 55 | 55 | 55 | 55 | 60 | 60 | 60 | 60 | 60 | 60 | 60 | 65 | 65 | 65 | 70 | 70 | 70 | 75 | 75 | 80 | 80 | 80 |
| 20 | 60 | 60 | 60 | 60 | 60 | 60 | 65 | 65 | 65 | 65 | 65 | 65 | 65 | 70 | 70 | 70 | 75 | 75 | 75 | 80 | 80 | 85 | 85 | 85 |
| 25 | 65 | 65 | 65 | 65 | 65 | 65 | 70 | 70 | 70 | 70 | 70 | 70 | 70 | 75 | 75 | 75 | 80 | 80 | 80 | 85 | 85 | 90 | 90 | 90 |
| 32 | 70 | 70 | 70 | 70 | 70 | 70 | 75 | 75 | 75 | 75 | 75 | 75 | 75 | 80 | 80 | 80 | 85 | 90 | 90 | 90 | 95 | 95 | 95 | 95 |

tabel6

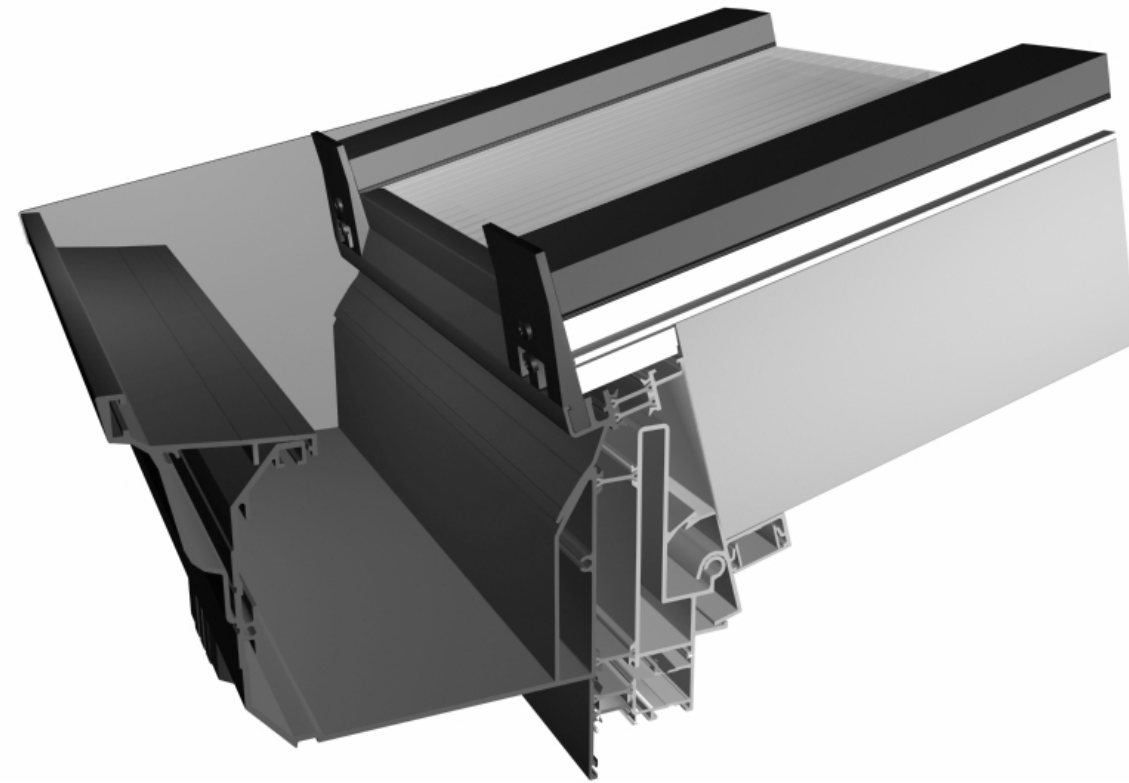
BEREKENING Y VAN 5° TOT 45°
CALCULATION Y DE 5° JUSQU'À 45°
BERECHNUNG Y VON 5° BIS 45°
CALCULATION Y FROM 5° UP TO 45°

ZAAGTABELLEN - TABLES DE SCIAGES - ZUSCHNITT-TABELLEN - SAWING TABLES



| Y | a = 5°-22° | | | | | | | | | | | | | | | | | | |
|----|------------|----|----|----|----|----|----|----|----|----|----|----|----|----|----|----|----|----|--|
| | 5 | 6 | 7 | 8 | 9 | 10 | 11 | 12 | 13 | 14 | 15 | 16 | 17 | 18 | 19 | 20 | 21 | 22 | |
| 16 | 75 | 75 | 75 | 75 | 75 | 75 | 75 | 75 | 75 | 75 | 75 | 70 | 70 | 70 | 70 | 70 | 70 | 70 | |
| 20 | 80 | 80 | 80 | 80 | 80 | 80 | 80 | 80 | 80 | 80 | 80 | 75 | 75 | 75 | 75 | 75 | 75 | 75 | |
| 25 | 85 | 85 | 85 | 85 | 85 | 85 | 85 | 85 | 85 | 85 | 85 | 80 | 80 | 80 | 80 | 80 | 80 | 80 | |
| 32 | 90 | 90 | 90 | 90 | 90 | 90 | 90 | 90 | 90 | 90 | 90 | 85 | 85 | 85 | 90 | 90 | 90 | 90 | |

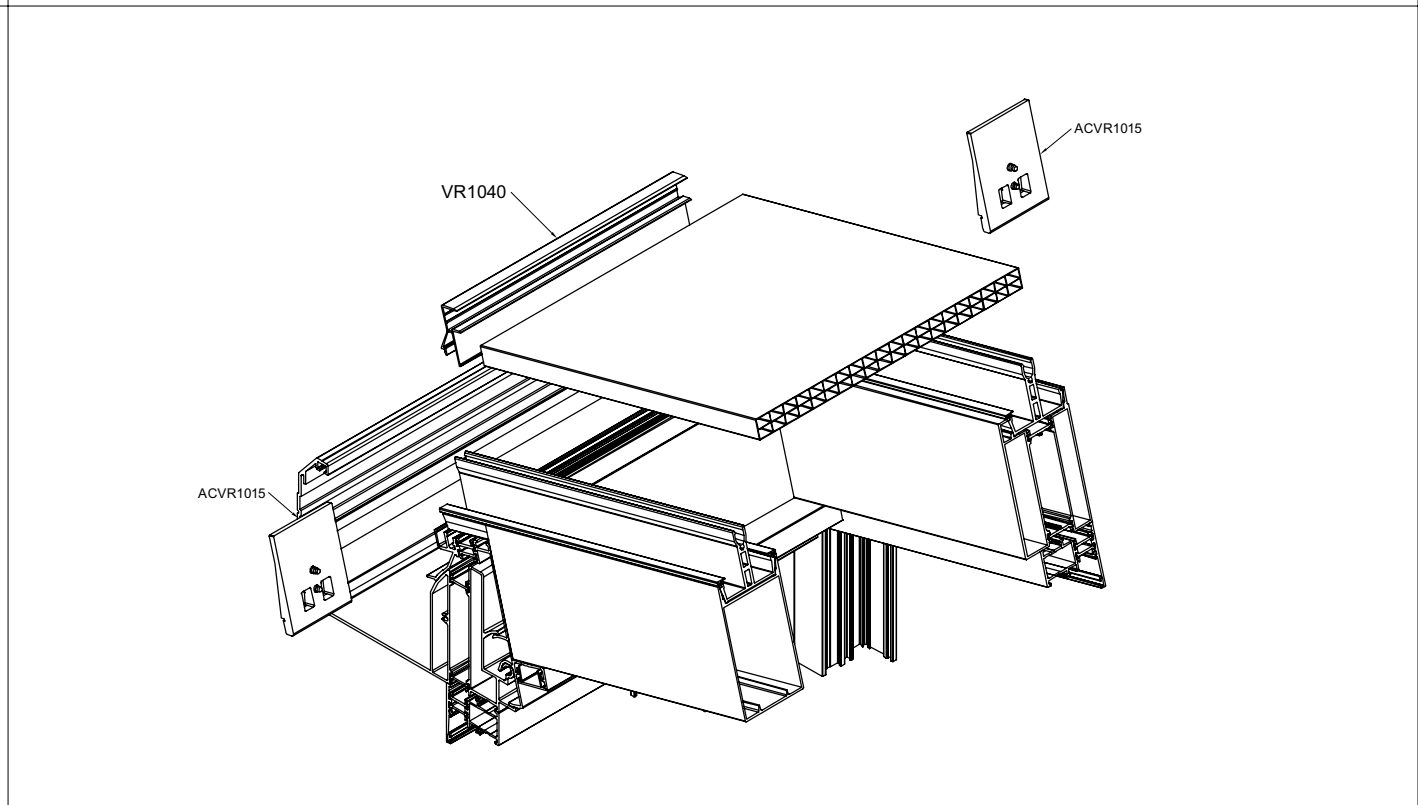
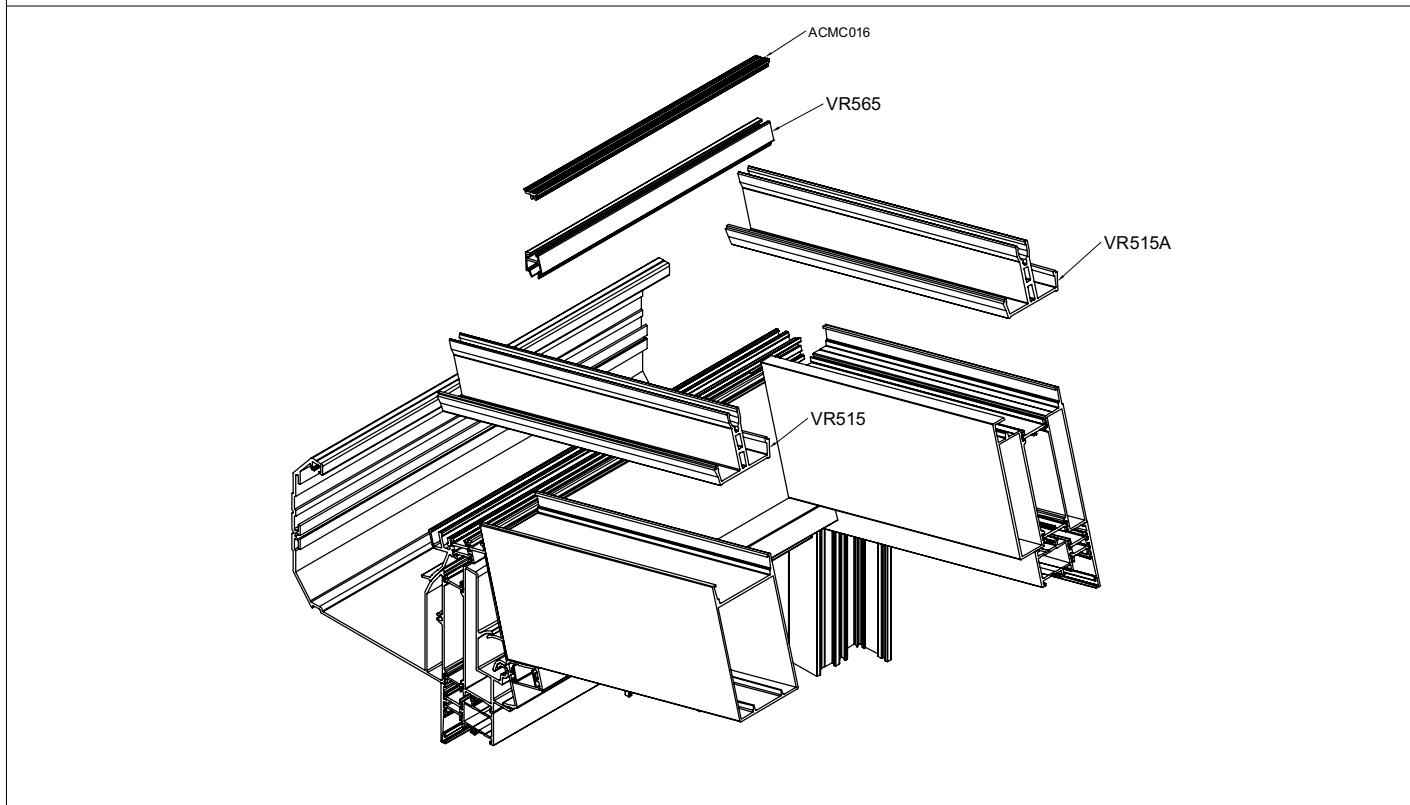
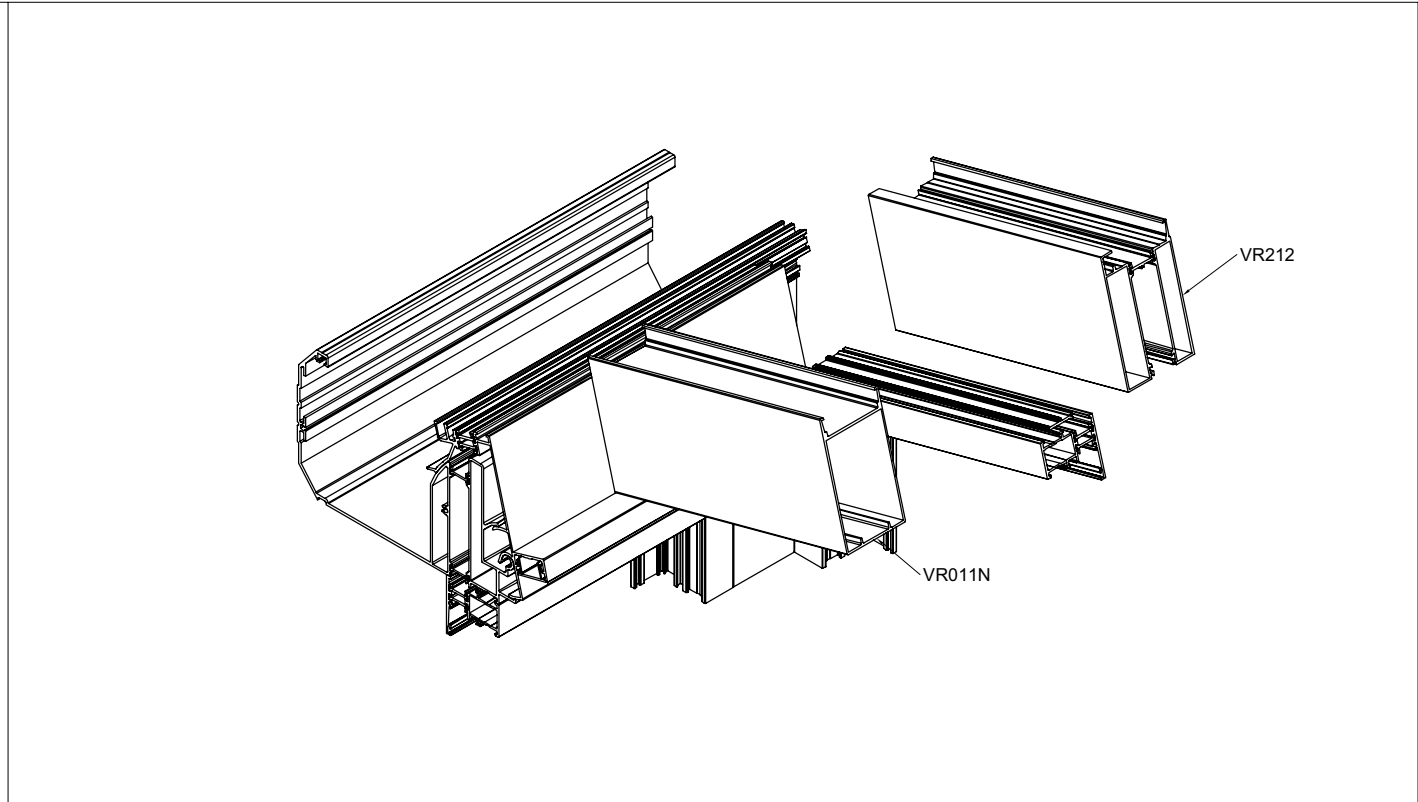
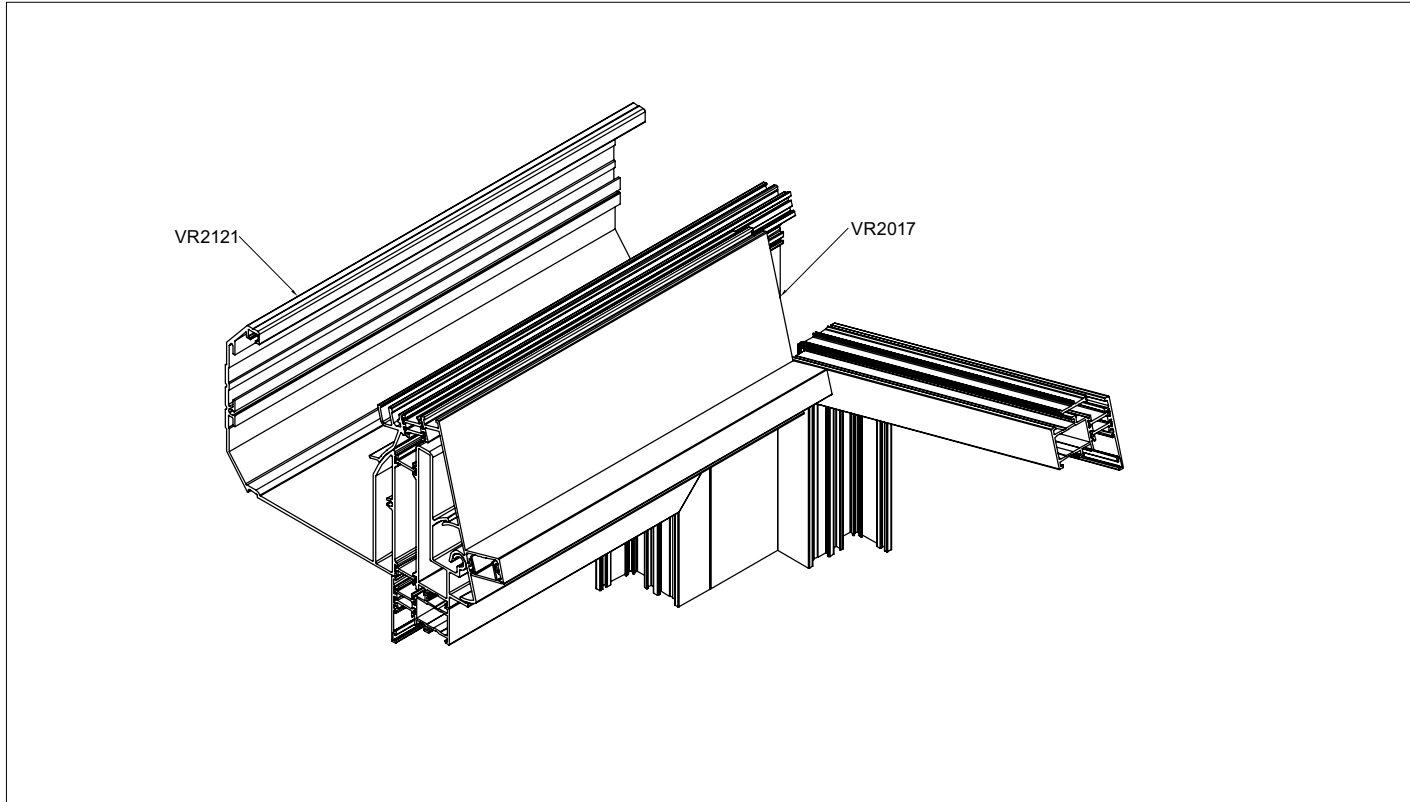
| Y | a = 22°-45° | | | | | | | | | | | | | | | | | | | | | | | | |
|----|-------------|----|----|----|----|----|-----|-----|-----|----|----|----|----|----|-----|-----|-----|-----|-----|-----|-----|-----|-----|-----|--|
| | 22 | 23 | 24 | 25 | 26 | 27 | 28 | 29 | 30 | 31 | 32 | 33 | 34 | 35 | 36 | 37 | 38 | 39 | 40 | 41 | 42 | 43 | 44 | 45 | |
| 16 | 75 | 75 | 75 | 80 | 80 | 80 | 80 | 85 | 85 | 75 | 75 | 75 | 75 | 80 | 80 | 80 | 80 | 85 | 85 | 90 | 90 | 90 | 95 | 95 | |
| 20 | 80 | 80 | 80 | 85 | 85 | 85 | 85 | 90 | 90 | 80 | 80 | 80 | 85 | 85 | 85 | 85 | 90 | 90 | 95 | 95 | 95 | 100 | 100 | 105 | |
| 25 | 85 | 85 | 85 | 90 | 90 | 90 | 95 | 95 | 95 | 85 | 85 | 85 | 90 | 90 | 90 | 95 | 95 | 95 | 100 | 100 | 105 | 105 | 110 | 110 | |
| 32 | 90 | 90 | 95 | 95 | 95 | 95 | 100 | 100 | 100 | 90 | 90 | 95 | 95 | 95 | 100 | 100 | 100 | 105 | 105 | 110 | 110 | 115 | 115 | 120 | |



**WERKTEKENINGEN
DESSINS DE CONSTRUCTION
KONSTRUKTIONZEICHNUNGEN
CONSTRUCTION DRAWINGS**

MONTAGE GOOT
MONTAGE GOUTTIERE
AUFSTELLEN DACHRINNE
ASSEMBLY GUTTER

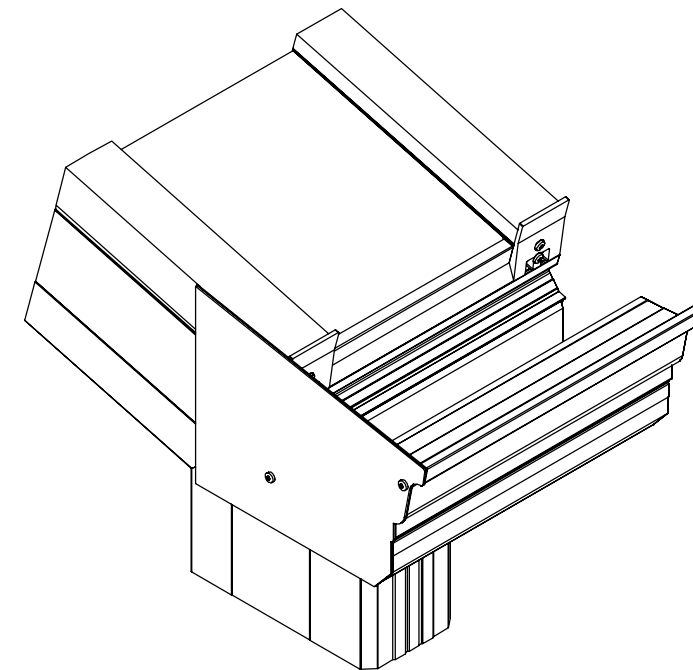
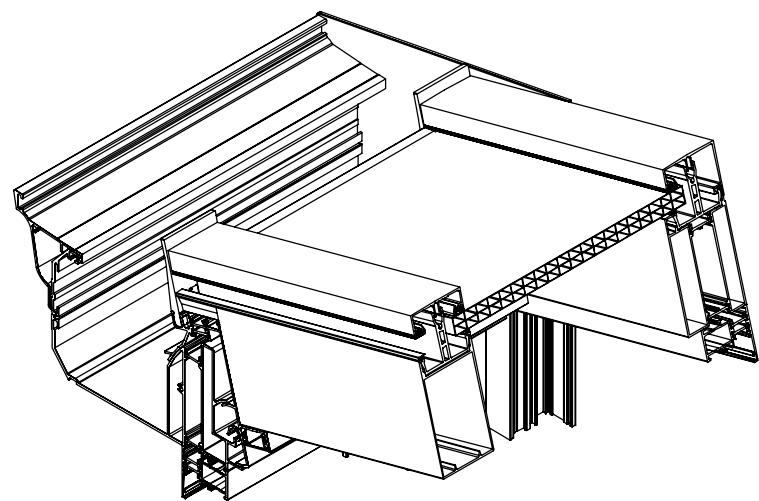
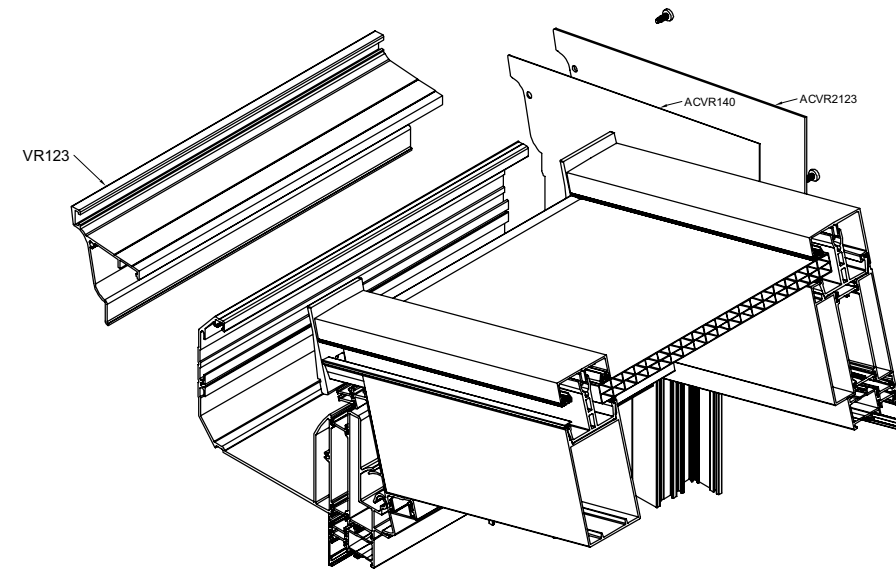
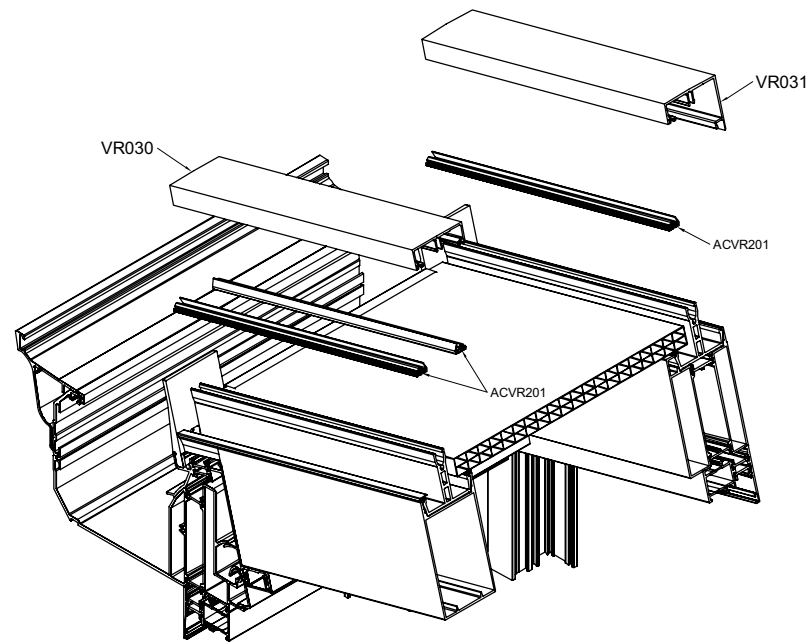
WERKTEKENINGEN - DESSINS DE CONSTRUCTION - KONSTRUKTIONZEICHNUNGEN - CONSTRUCTION DRAWINGS



MONT1

MONTAGE GOOT
MONTAGE GOUTTIERE
AUFSTELLEN DACHRINNE
ASSEMBLY GUTTER

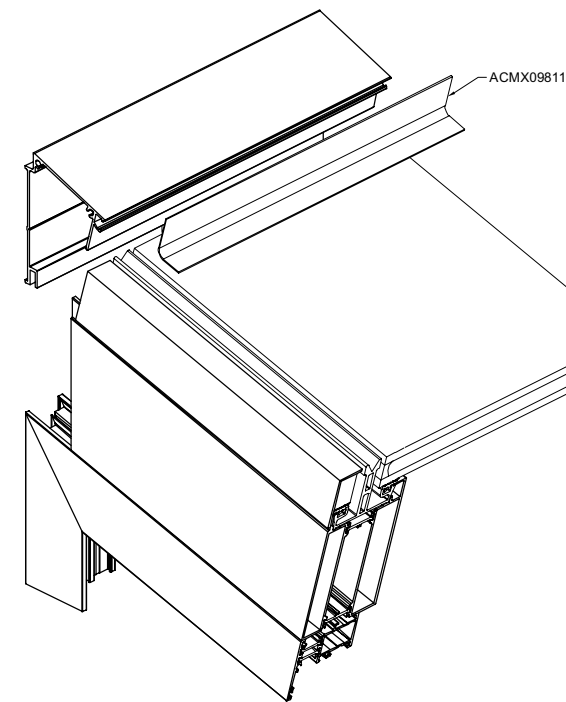
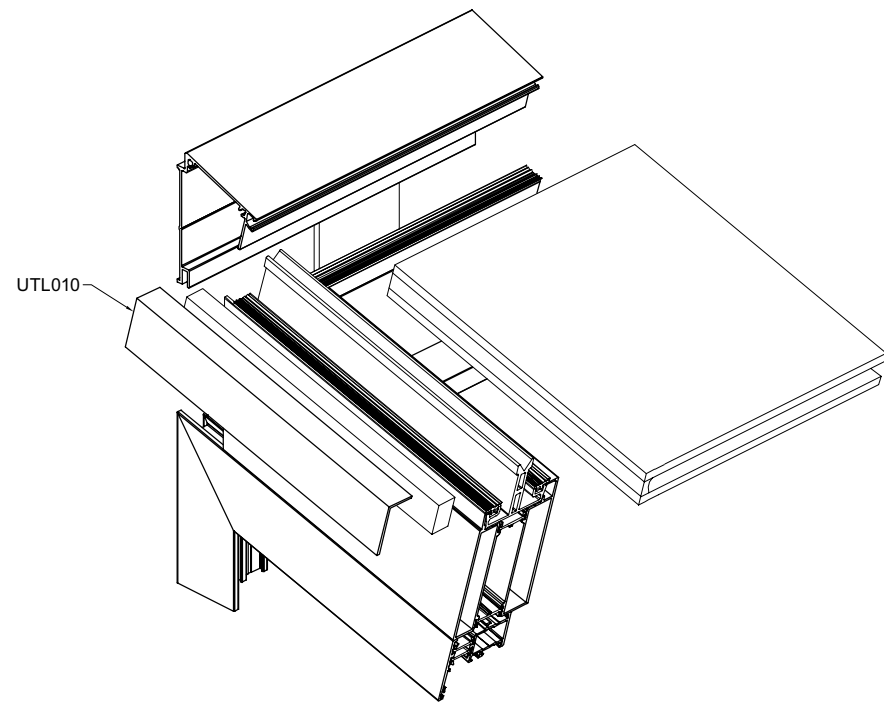
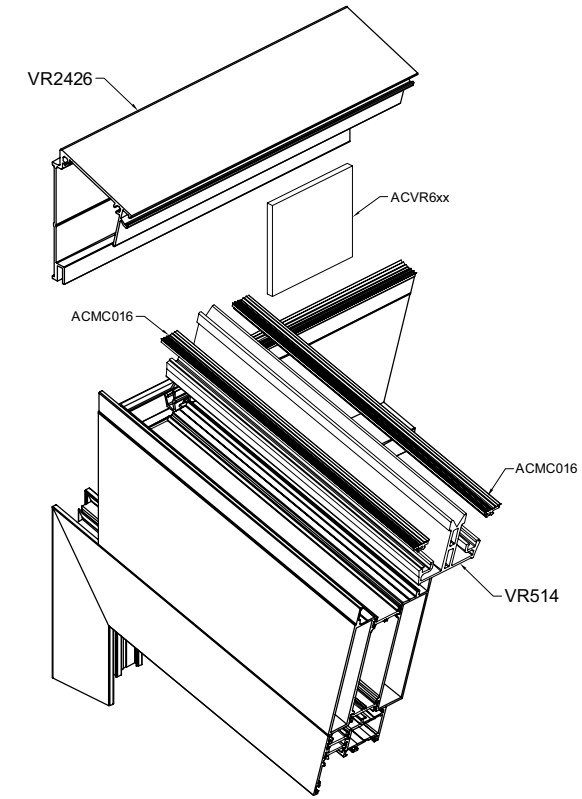
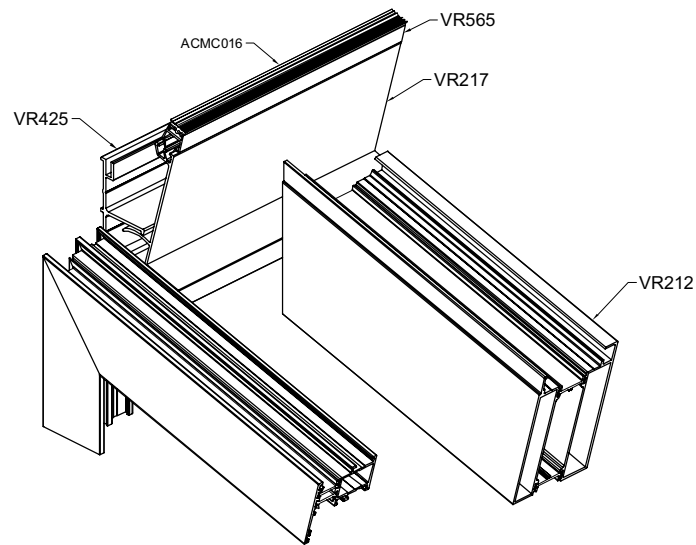
WERKTEKENINGEN - DESSINS DE CONSTRUCTION - KONSTRUKTIONZEICHNUNGEN - CONSTRUCTION DRAWINGS



mont2

MONTAGE MUURPROFIEL
MONTAGE PROFIL MURAL
AUFSTELLEN MAUERPROFIL
ASSEMBLY WALL PROFILE

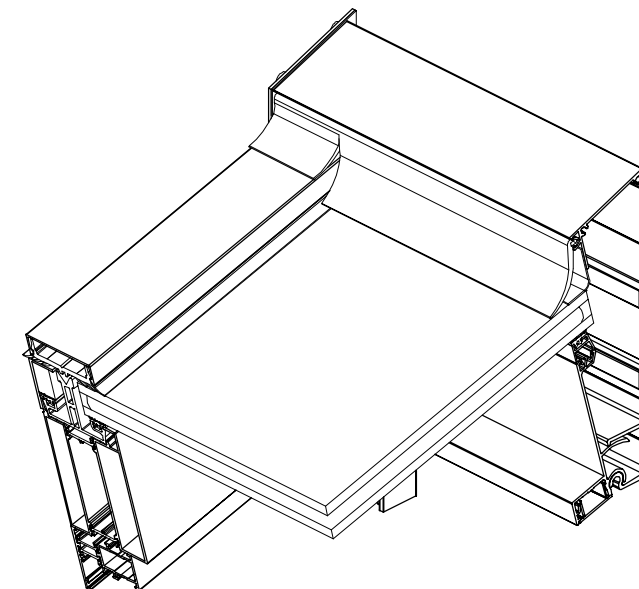
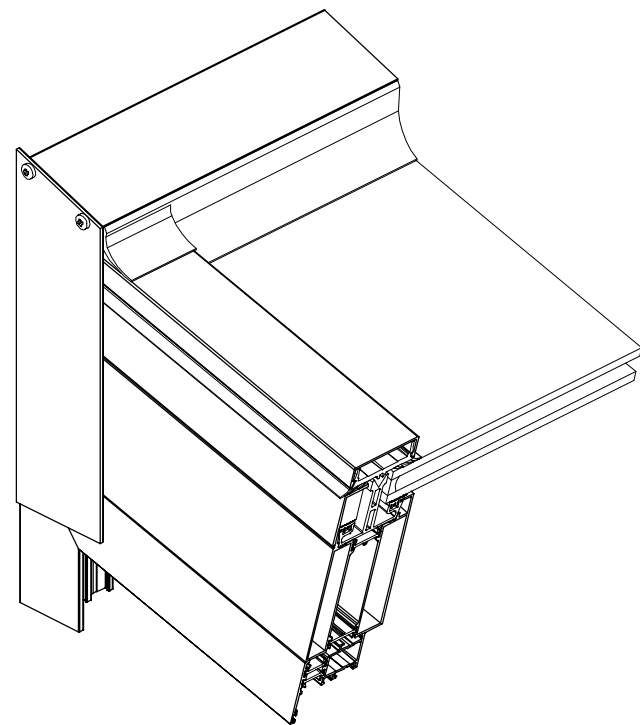
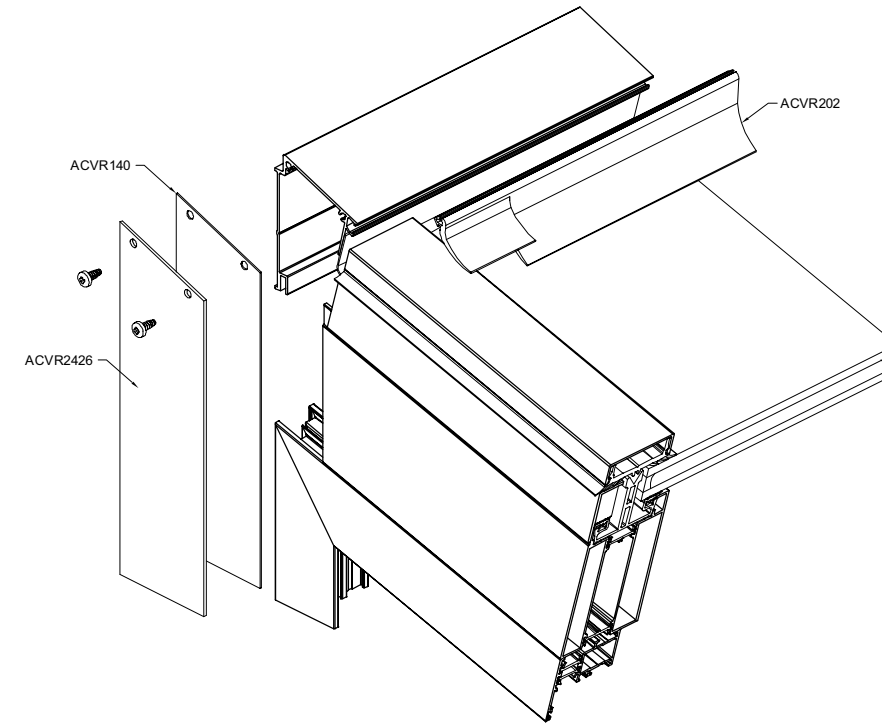
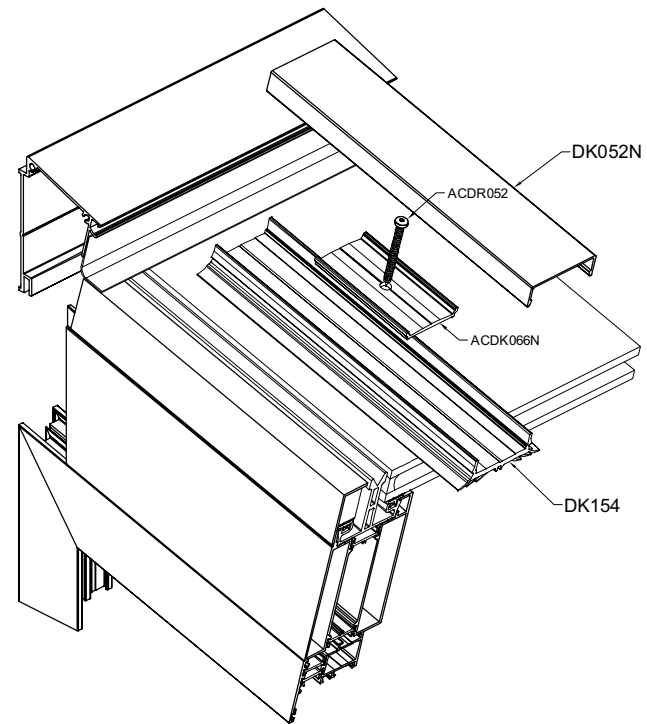
WERKTEKENINGEN - DESSINS DE CONSTRUCTION - KONSTRUKTIONZEICHNUNGEN - CONSTRUCTION DRAWINGS



MONT4

MONTAGE MUURPROFIEL
MONTAGE PROFIL MURAL
AUFSTELLEN MAUERPROFIL
ASSEMBLY WALL PROFILE

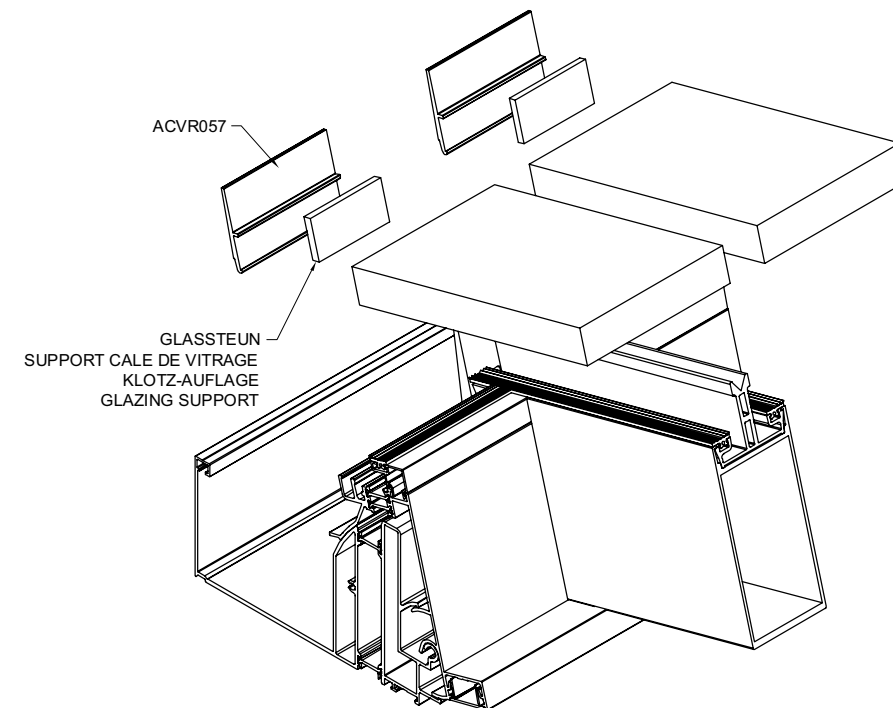
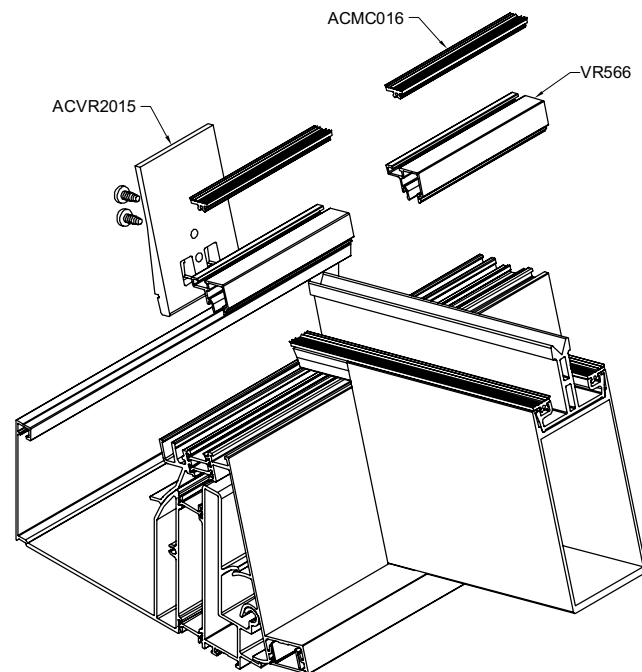
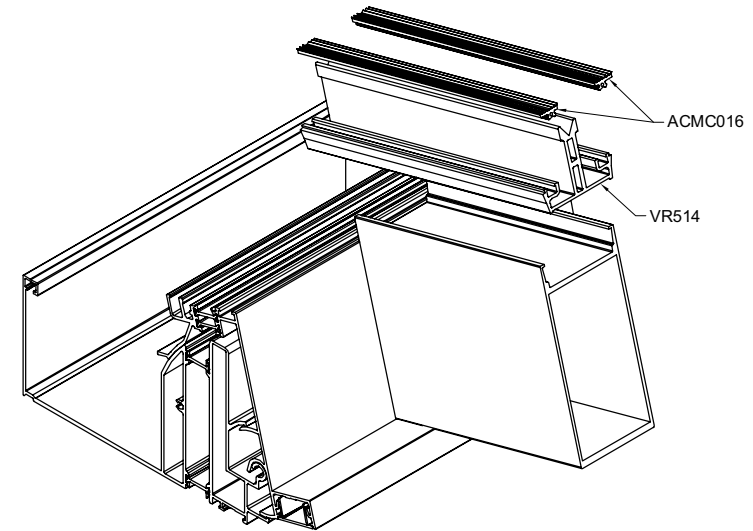
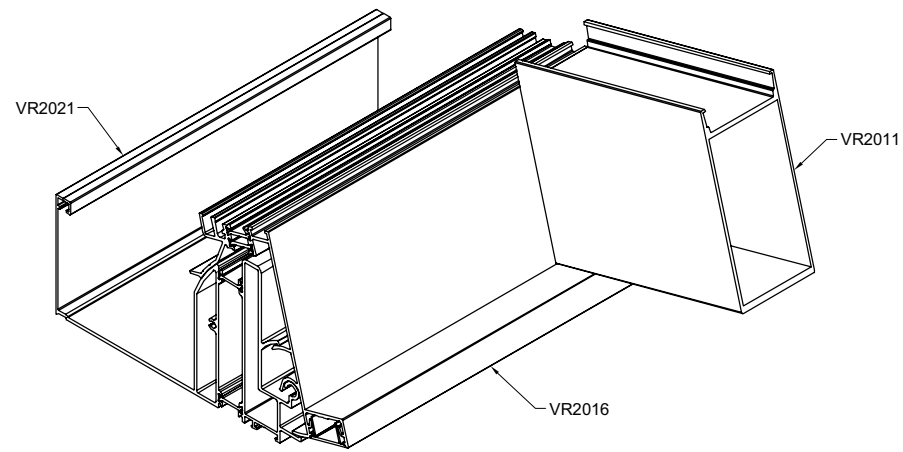
WERKTEKENINGEN - DESSINS DE CONSTRUCTION - KONSTRUKTIONZEICHNUNGEN - CONSTRUCTION DRAWINGS



mont5

MONTAGE GOOT MET DUBBEL GLAS
MONTAGE GOUTTIERE AVEC DOUBLE VITRAGE
AUFSTELLEN DACHRINNE MIT DOPPEL VERGLASUNG
ASSEMBLY GUTTER WITH DOUBLE GLAZING

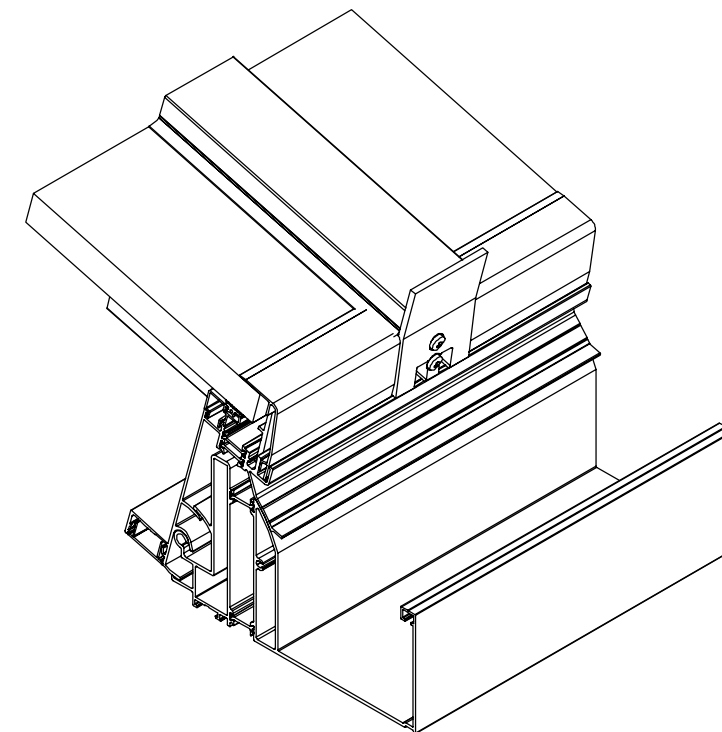
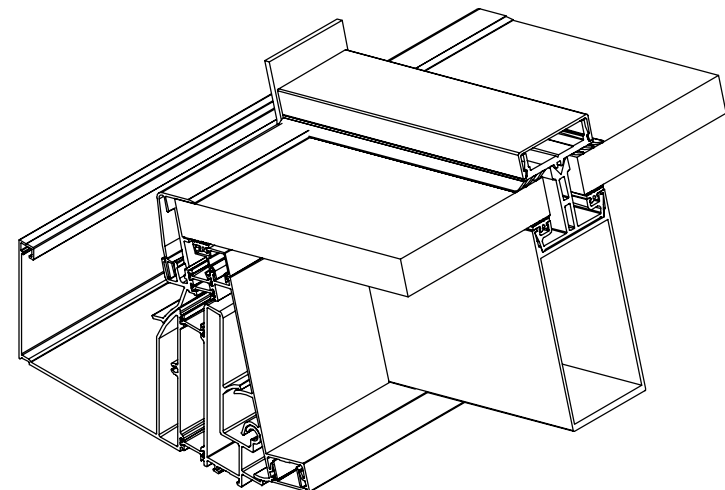
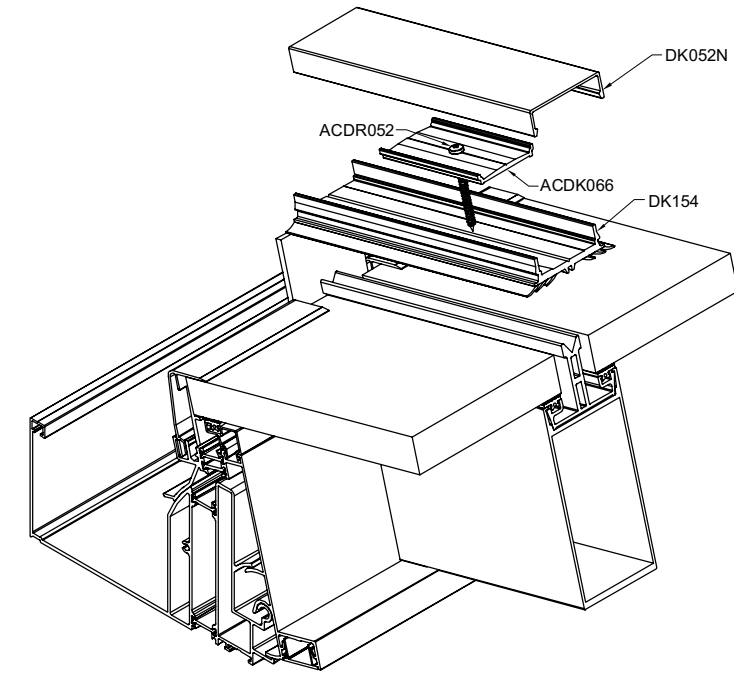
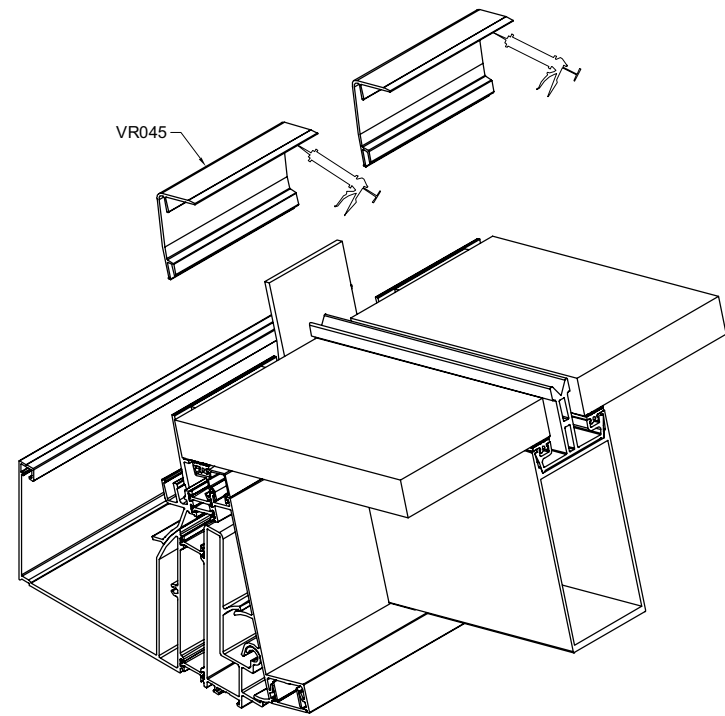
WERKTEKENINGEN - DESSINS DE CONSTRUCTION - KONSTRUKTIONZEICHNUNGEN - CONSTRUCTION DRAWINGS



MONTGL1

MONTAGE GOOT MET DUBBEL GLAS
MONTAGE GOUTTIERE AVEC DOUBLE VITRAGE
AUFSTELLEN DACHRINNE MIT DOPPEL VERGLASUNG
ASSEMBLY GUTTER WITH DOUBLE GLAZING

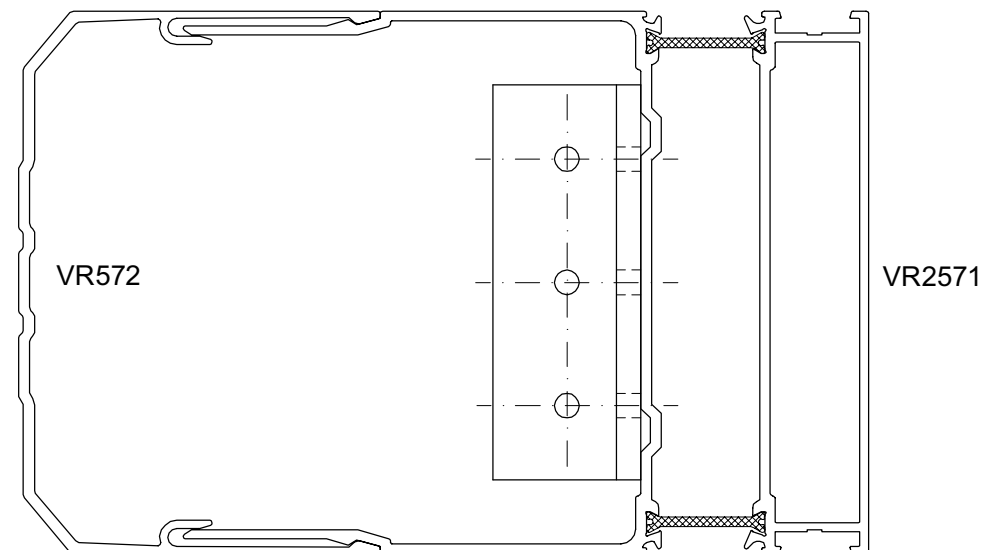
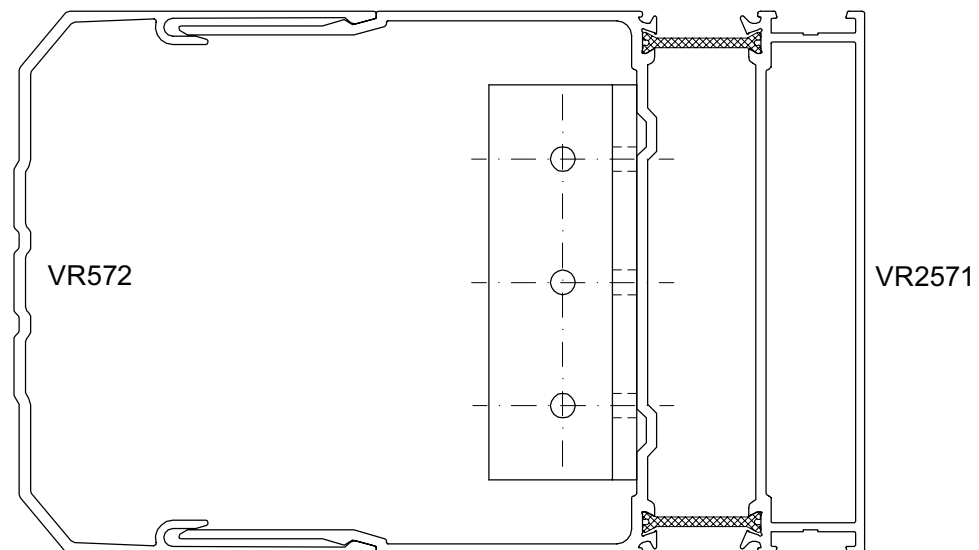
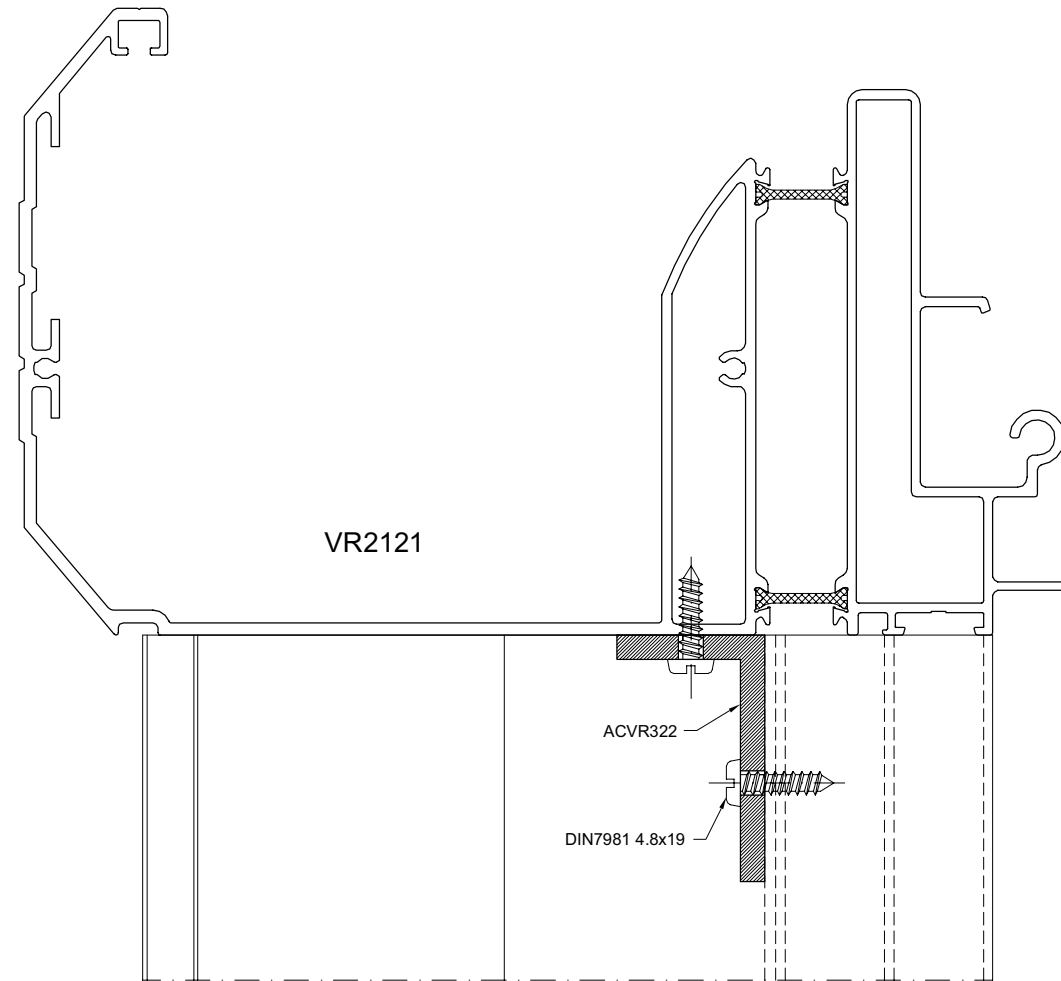
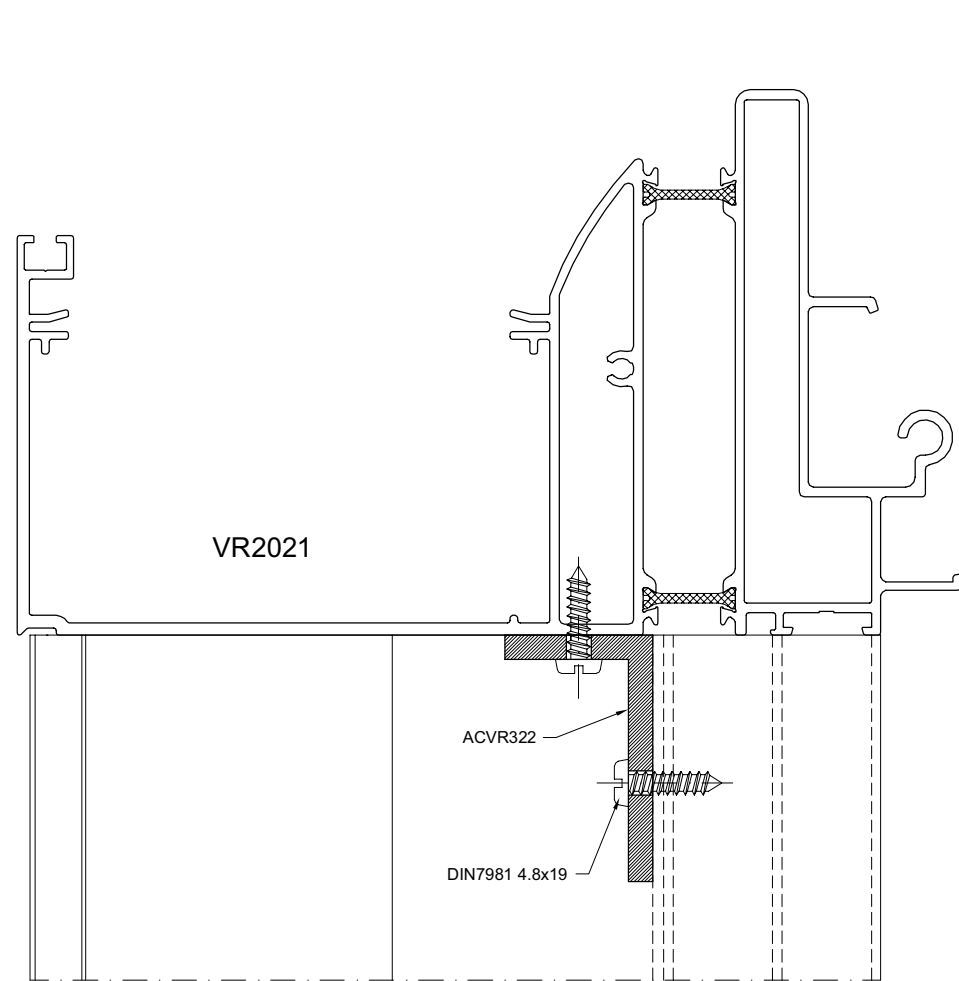
WERKTEKENINGEN - DESSINS DE CONSTRUCTION - KONSTRUKTIONZEICHNUNGEN - CONSTRUCTION DRAWINGS



montg12

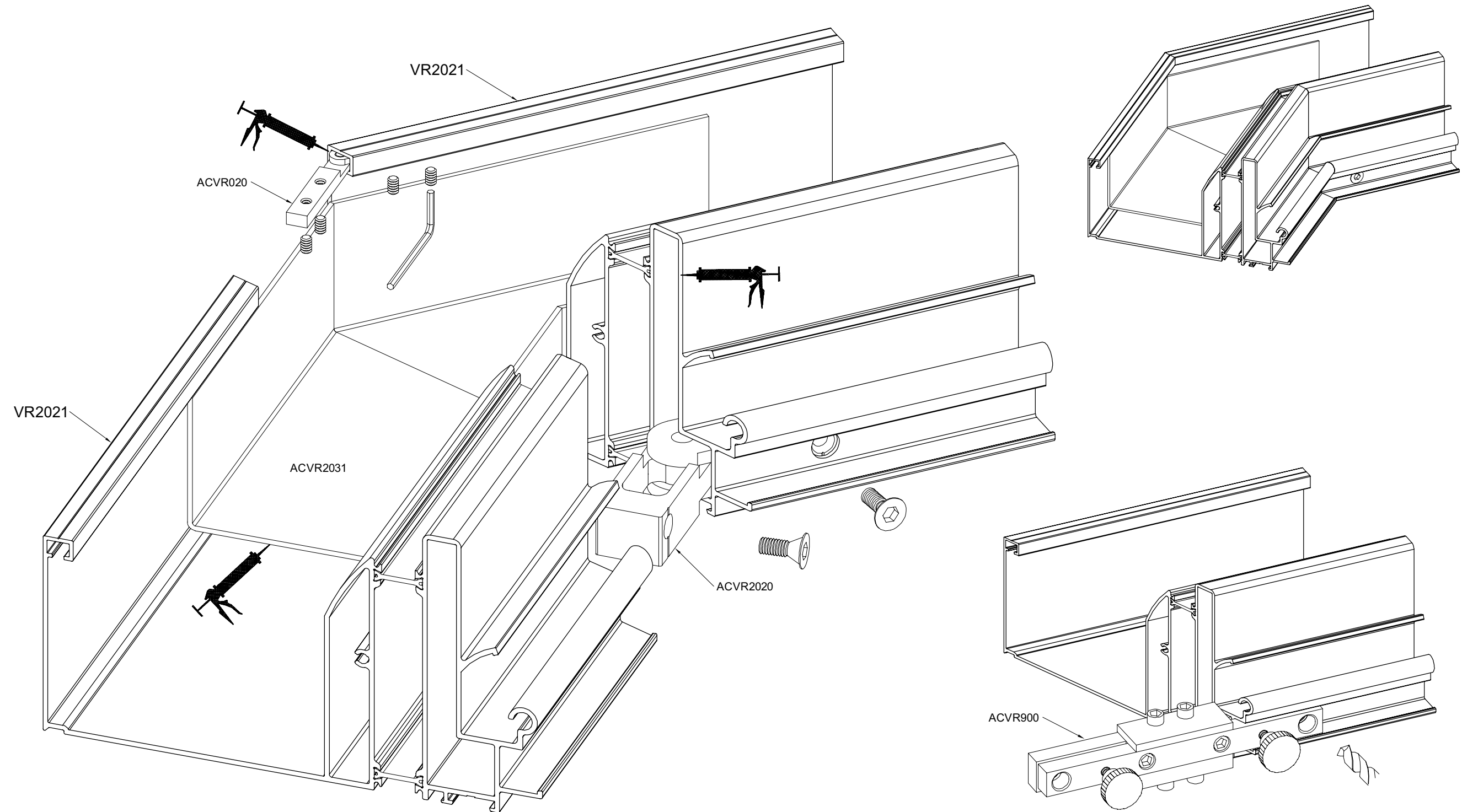
MONTAGE PAAL
MONTAGE POTEAU
AUFSTELLEN PFAHL
ASSEMBLY POST

WERKTEKENINGEN - DESSINS DE CONSTRUCTION - KONSTRUKTIONZEICHNUNGEN - CONSTRUCTION DRAWINGS



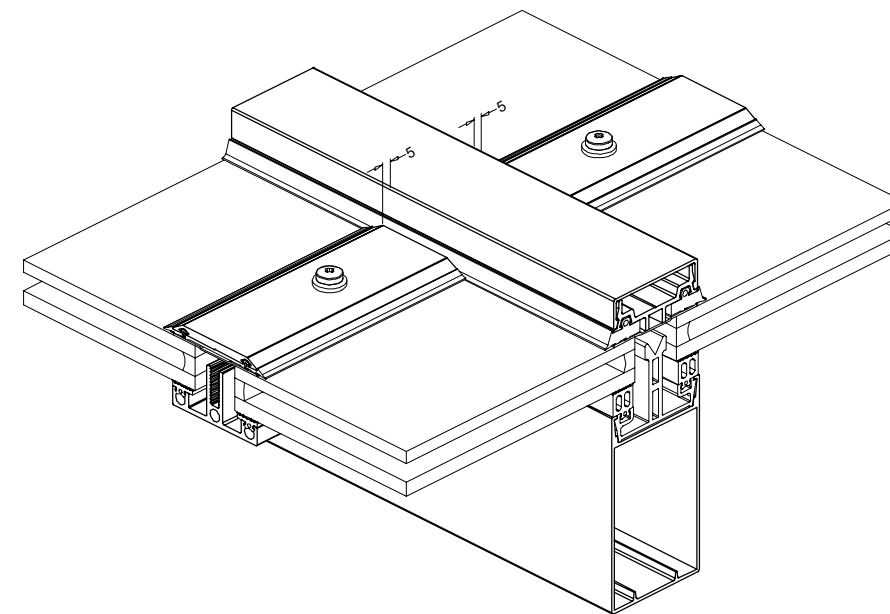
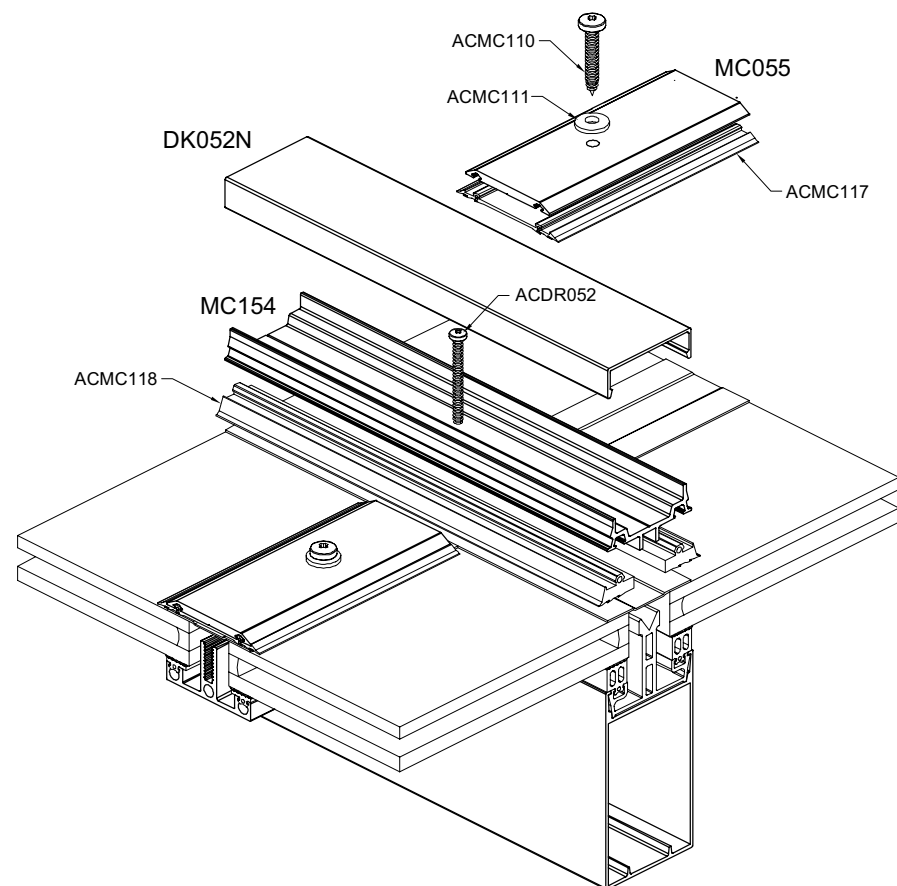
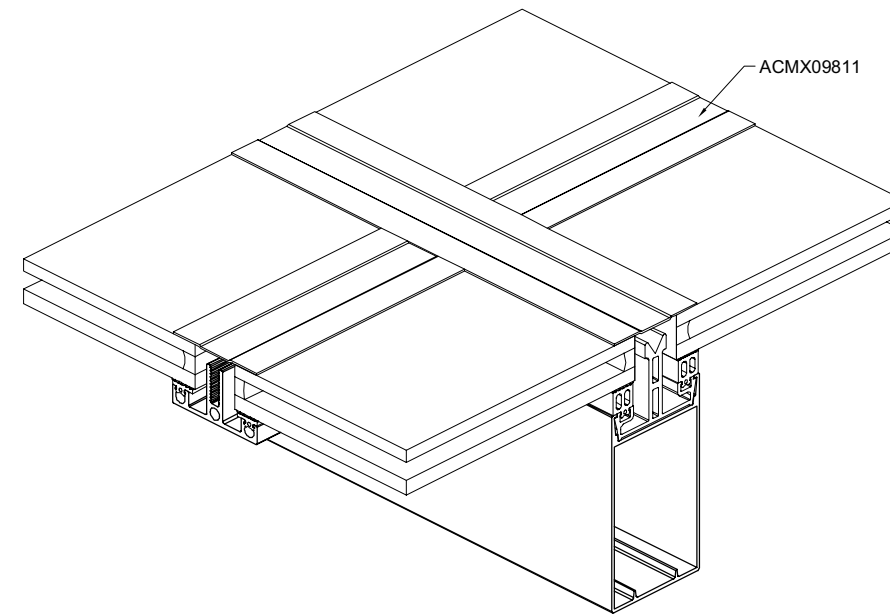
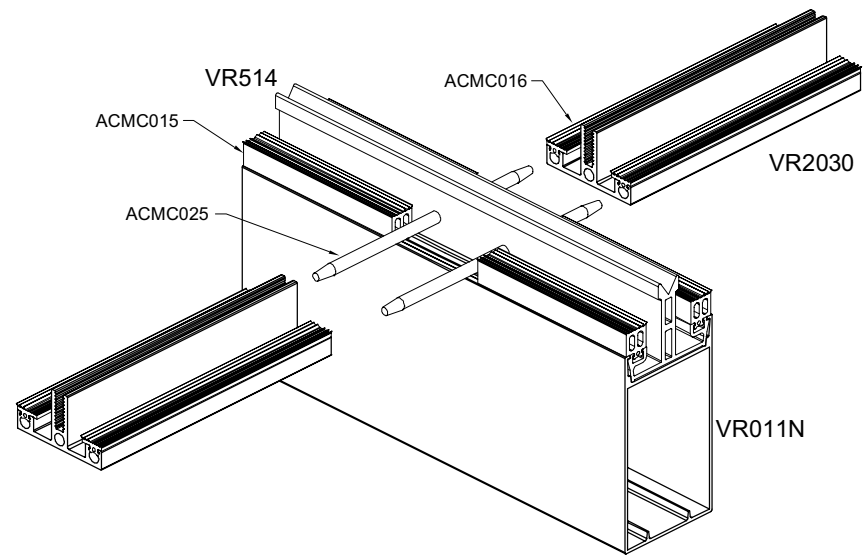
MONTAGE ACVR2031
MONTAGE ACVR2031
AUFSTELLEN ACVR2031
ASSEMBLY ACVR2031

WERKTEKENINGEN - DESSINS DE CONSTRUCTION - KONSTRUKTIONZEICHNUNGEN - CONSTRUCTION DRAWINGS



MONTAGE VR2030 MET DUBBEL GLAS VAN 5° TOT 45°
MONTAGE VR2030 AVEC DOUBLE VITRAGE DE 5° JUSQU'A 45°
AUFSTELLEN VR2030 MIT DOPPEL VERGLASUNG VON 5° BIS 45°
ASSEMBLY VR2030 WITH DOUBLE GLAZING FROM 5° UP TO 45°

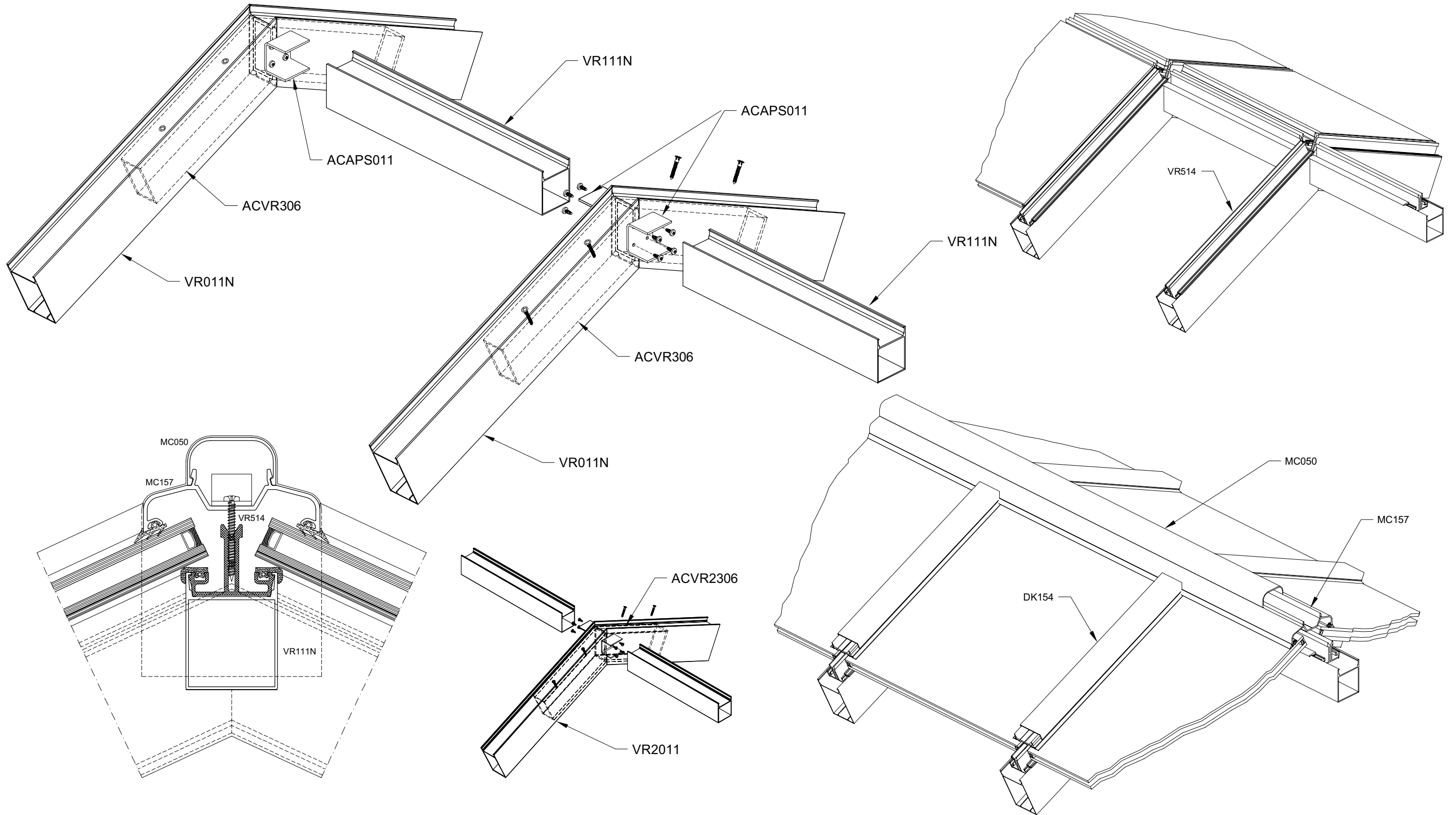
WERKTEKENINGEN - DESSINS DE CONSTRUCTION - KONSTRUKTIONZEICHNUNGEN - CONSTRUCTION DRAWINGS



DK051M

MONTAGE NOK
MONTAGE FAITIERE
MONTAGE DACHFIRST
ASSEMBLY RIDGE

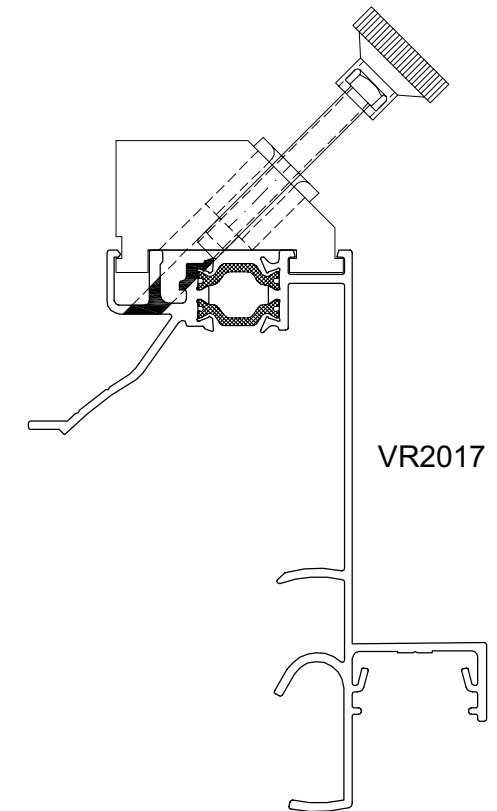
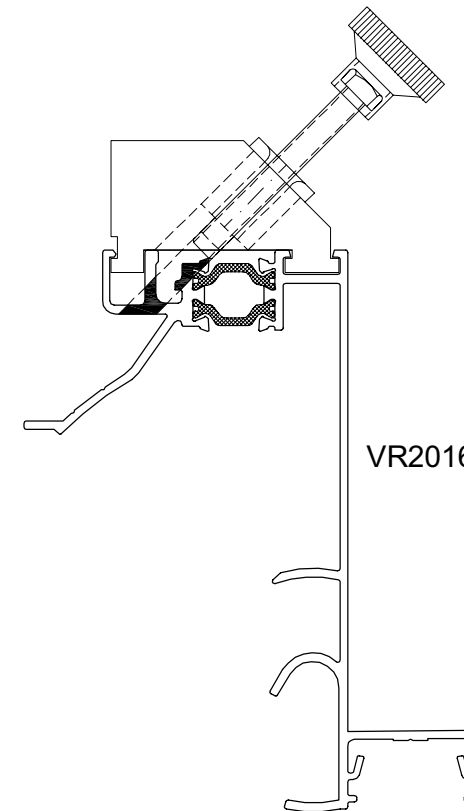
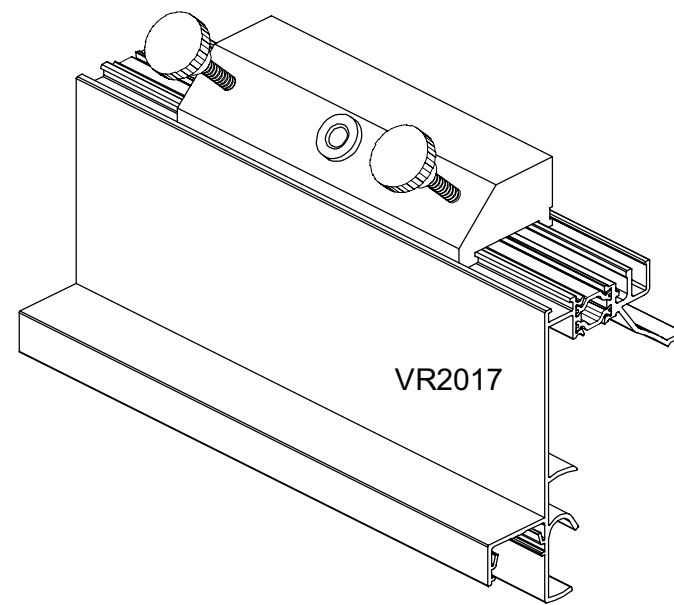
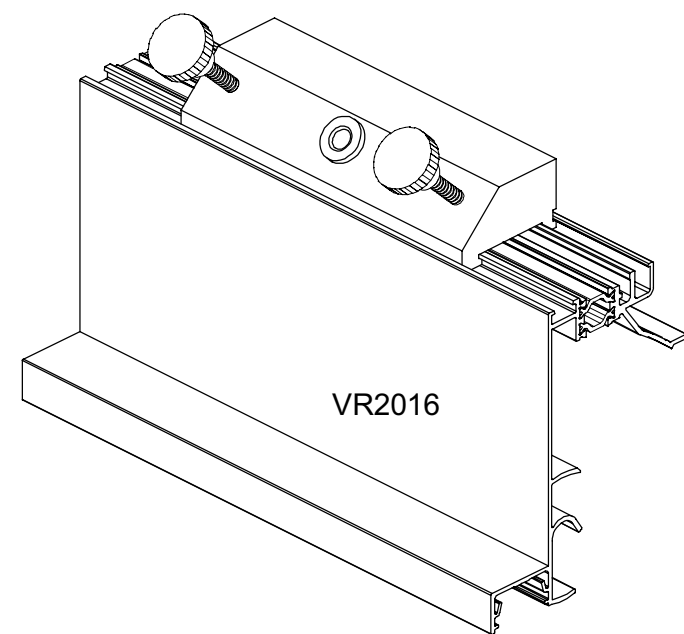
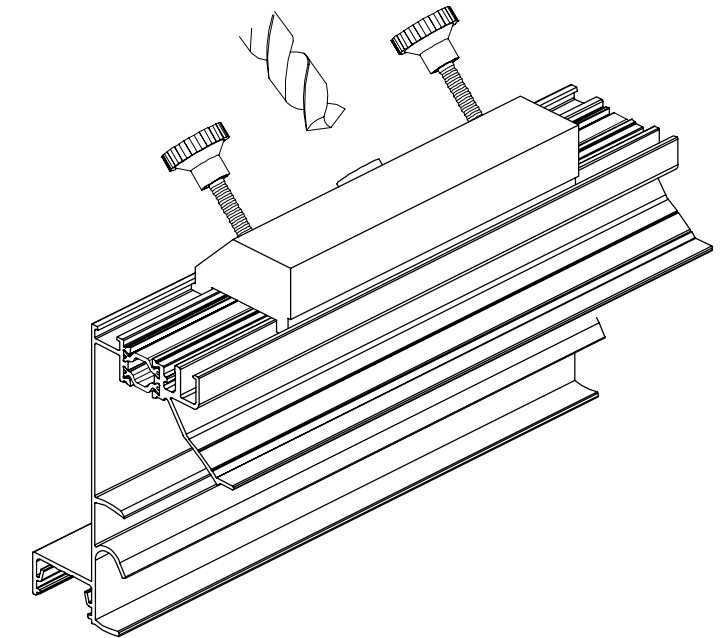
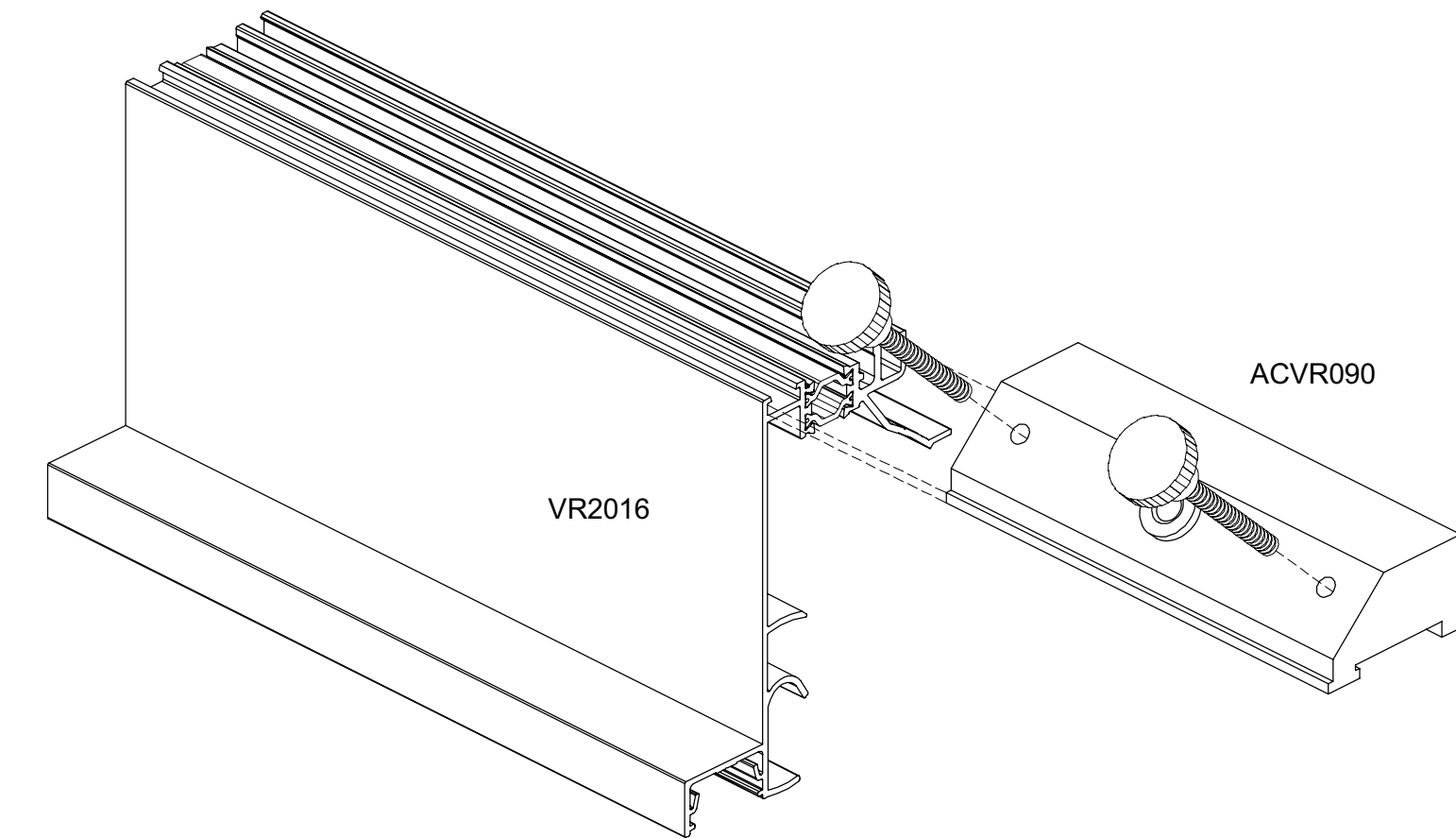
WERKTEKENINGEN - DESSINS DE CONSTRUCTION - KONSTRUKTIONZEICHNUNGEN - CONSTRUCTION DRAWINGS



nok

MONTAGE BOORMAL VOOR VR2016/VR2017
MONTAGE CALIBRE POUR VR2016/VR2017
AUFSTELLEN BOHRSCABLONE FÜR VR2016/VR2017
ASSEMBLY BORING JIG SET FOR VR2016/VR2017

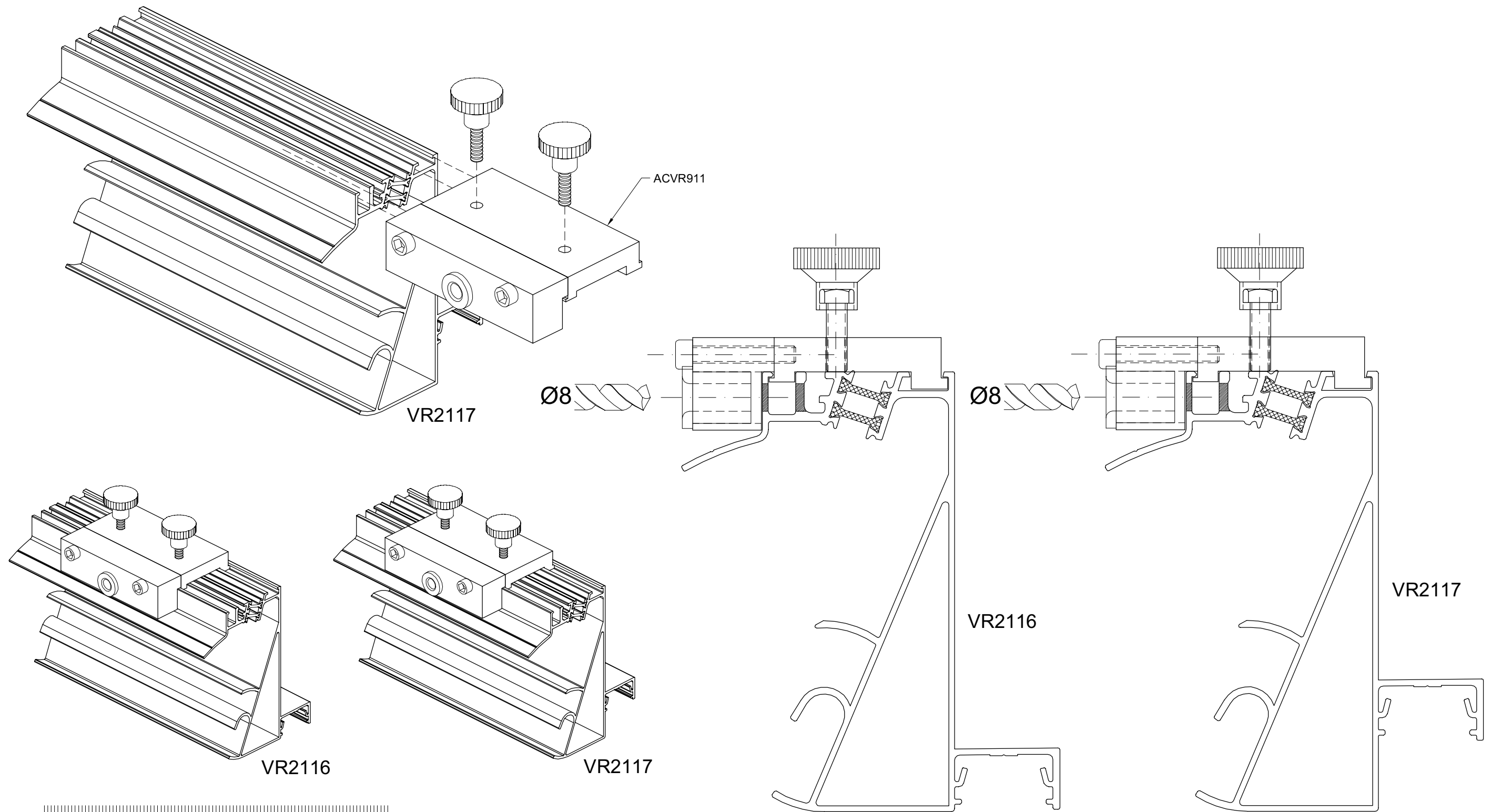
WERKTEKENINGEN - DESSINS DE CONSTRUCTION - KONSTRUKTIONZEICHNUNGEN - CONSTRUCTION DRAWINGS



BOOR

MONTAGE BOORMAL VOOR VR116/VR117
MONTAGE CALIBRE POUR VR116/VR117
AUFSTELLEN BOHRSCHABLONE FÜR VR116/VR117
ASSEMBLY BORING JIG SET FOR VR116/VR117

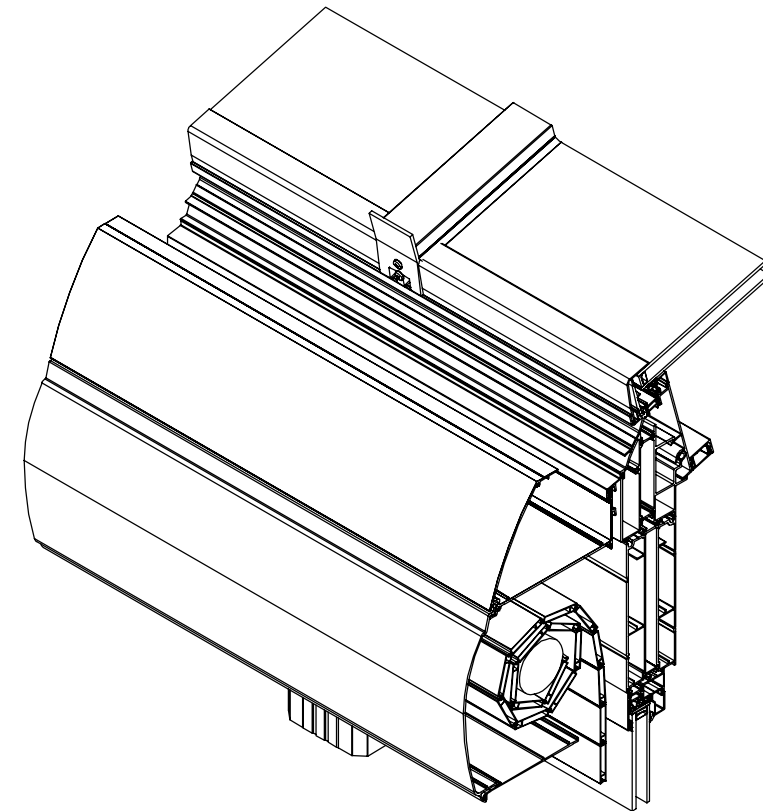
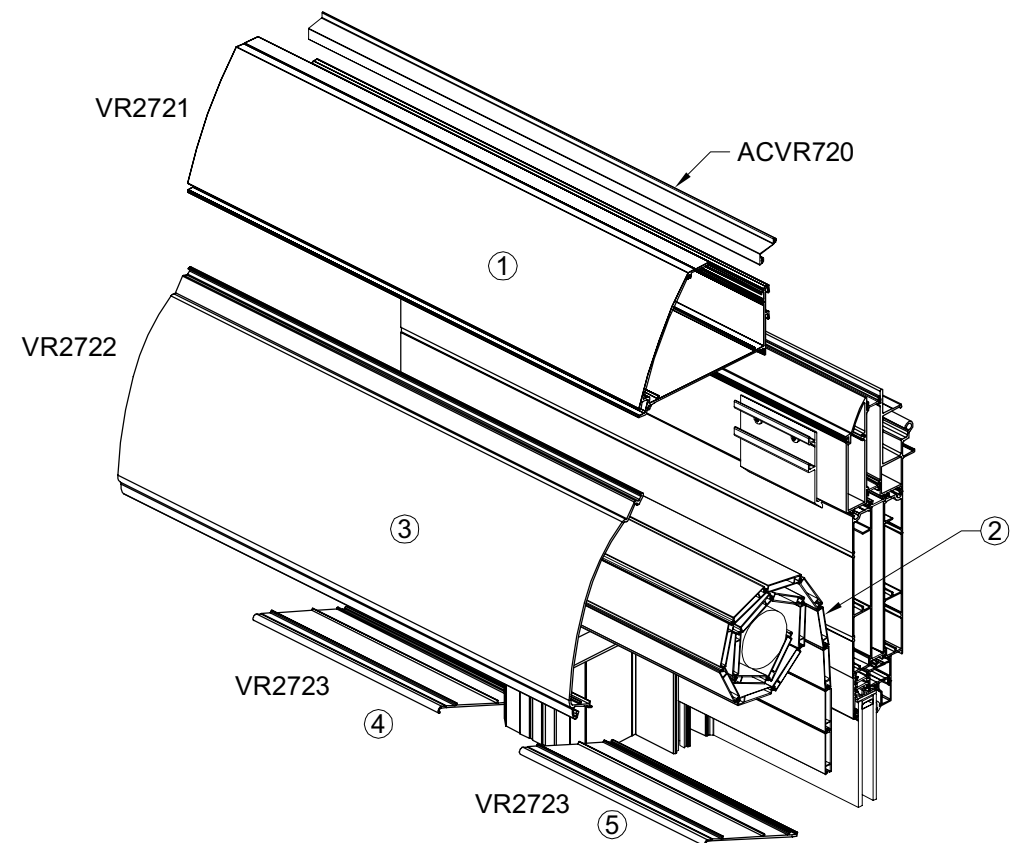
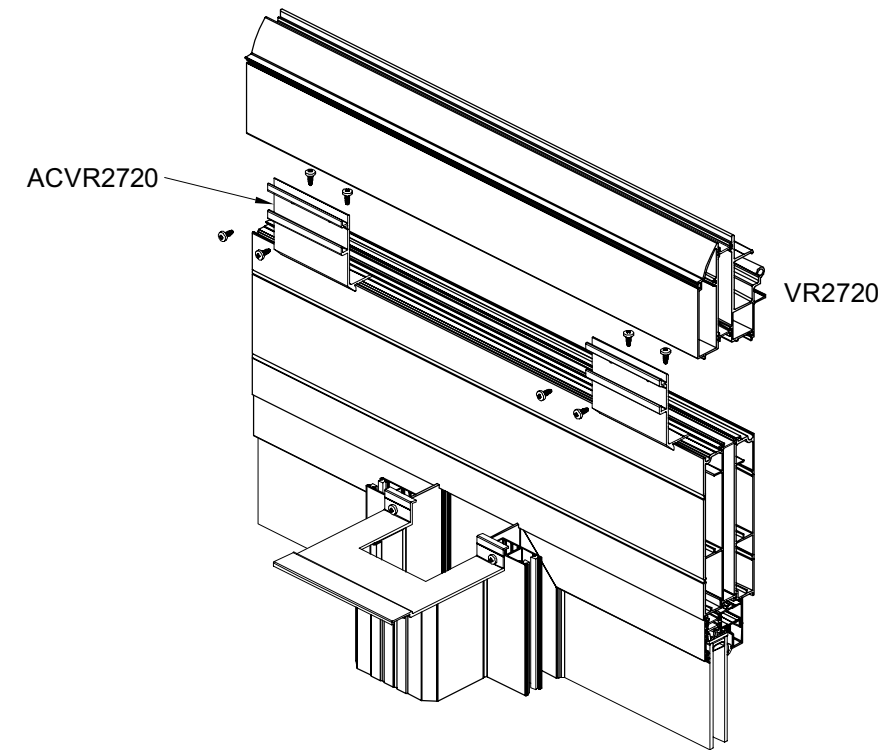
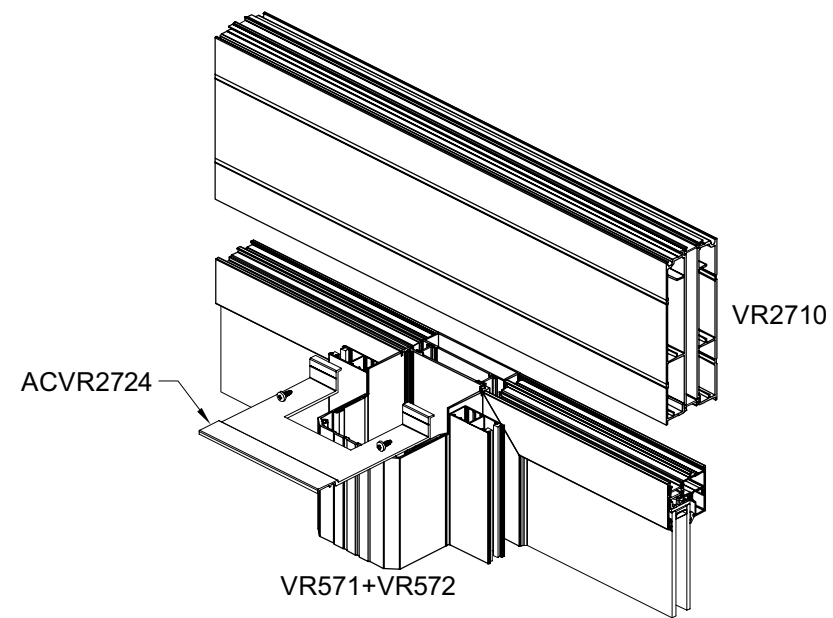
WERKTEKENINGEN - DESSINS DE CONSTRUCTION - KONSTRUKTIONZEICHNUNGEN - CONSTRUCTION DRAWINGS



boor2

MONTAGE GOOT MET ROLLUIK
MONTAGE GOUTTIERE AVEC VOLET
AUFSTELLEN RINNE MIT ROLLADEN
ASSEMBLY GUTTER WITH BLINDS

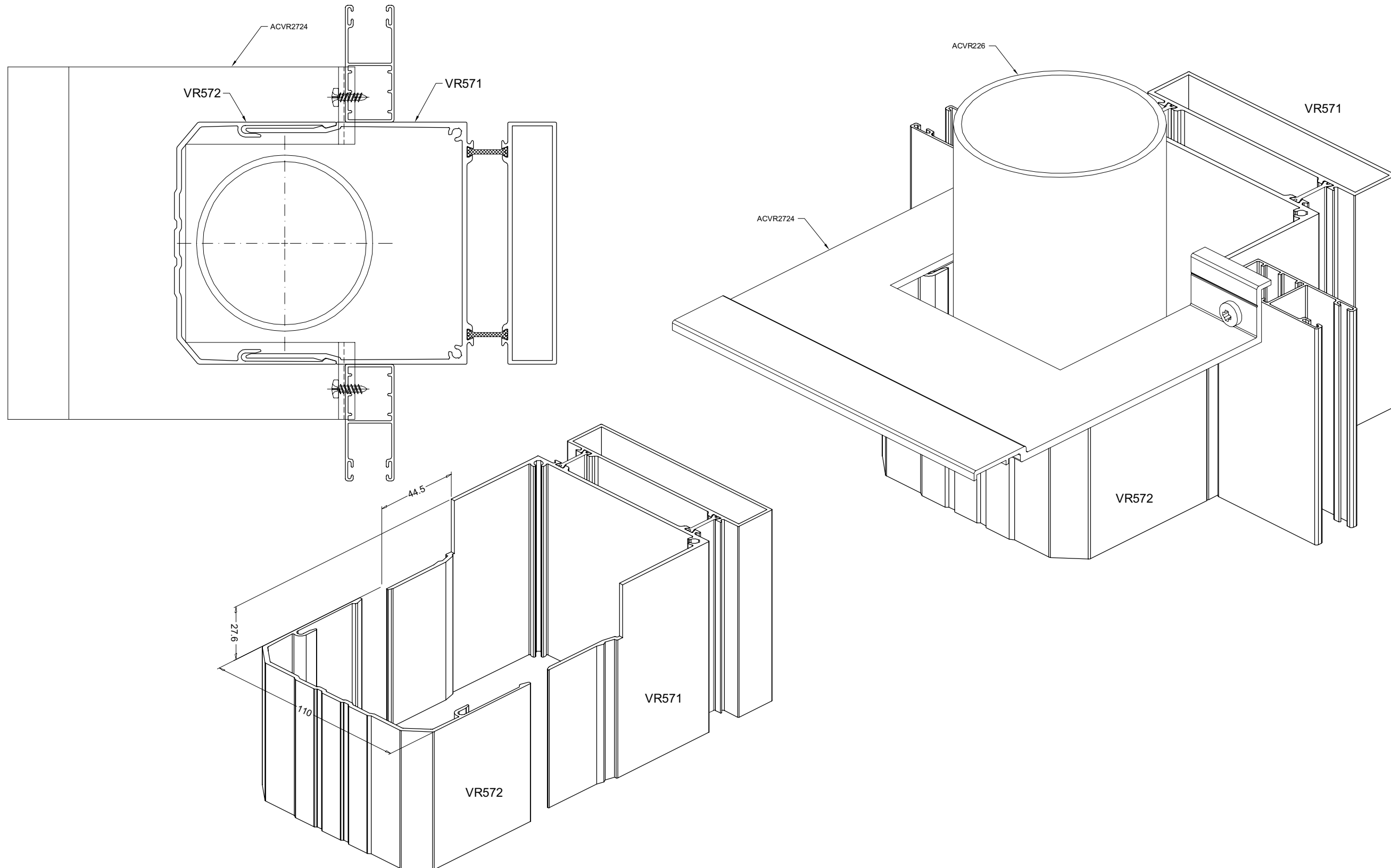
WERKTEKENINGEN - DESSINS DE CONSTRUCTION - KONSTRUKTIONZEICHNUNGEN - CONSTRUCTION DRAWINGS



voletexpl1

MONTAGE ACVR2724
MONTAGE ACVR2724
AUFSTELLEN ACVR2724
ASSEMBLY ACVR2724

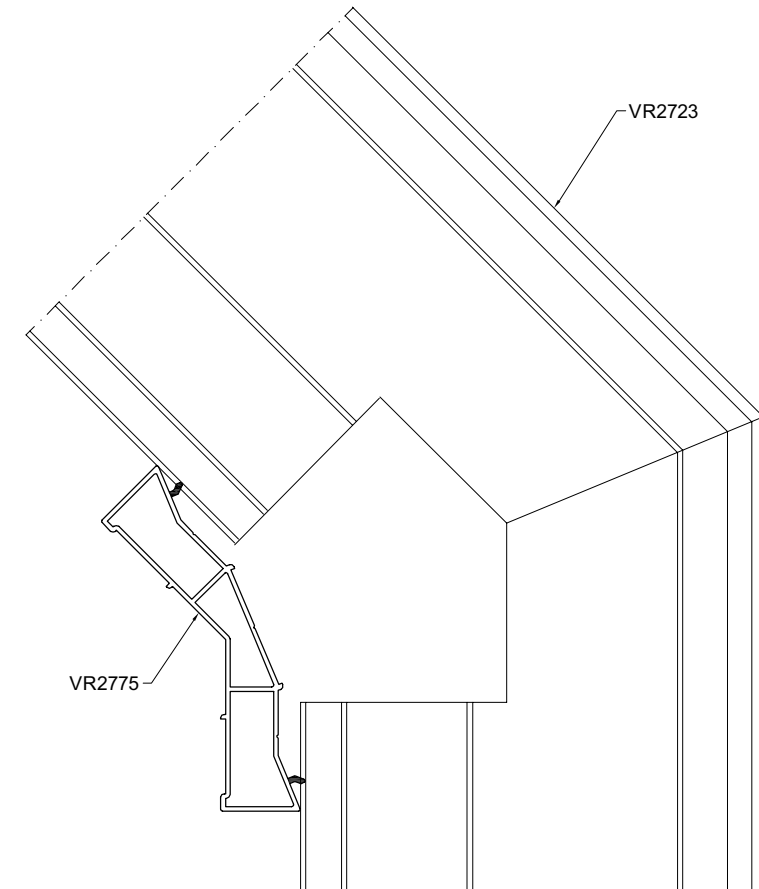
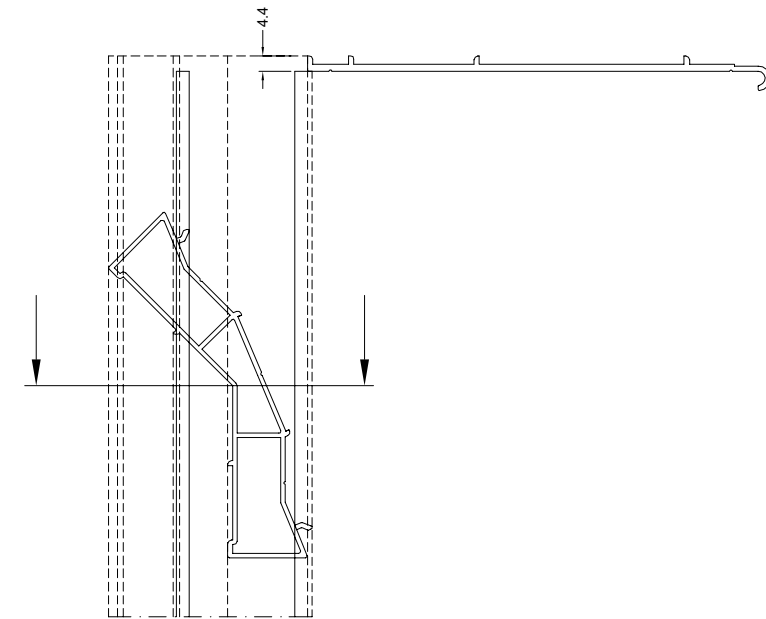
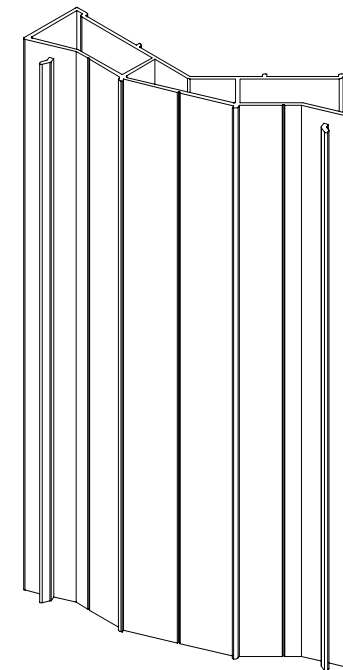
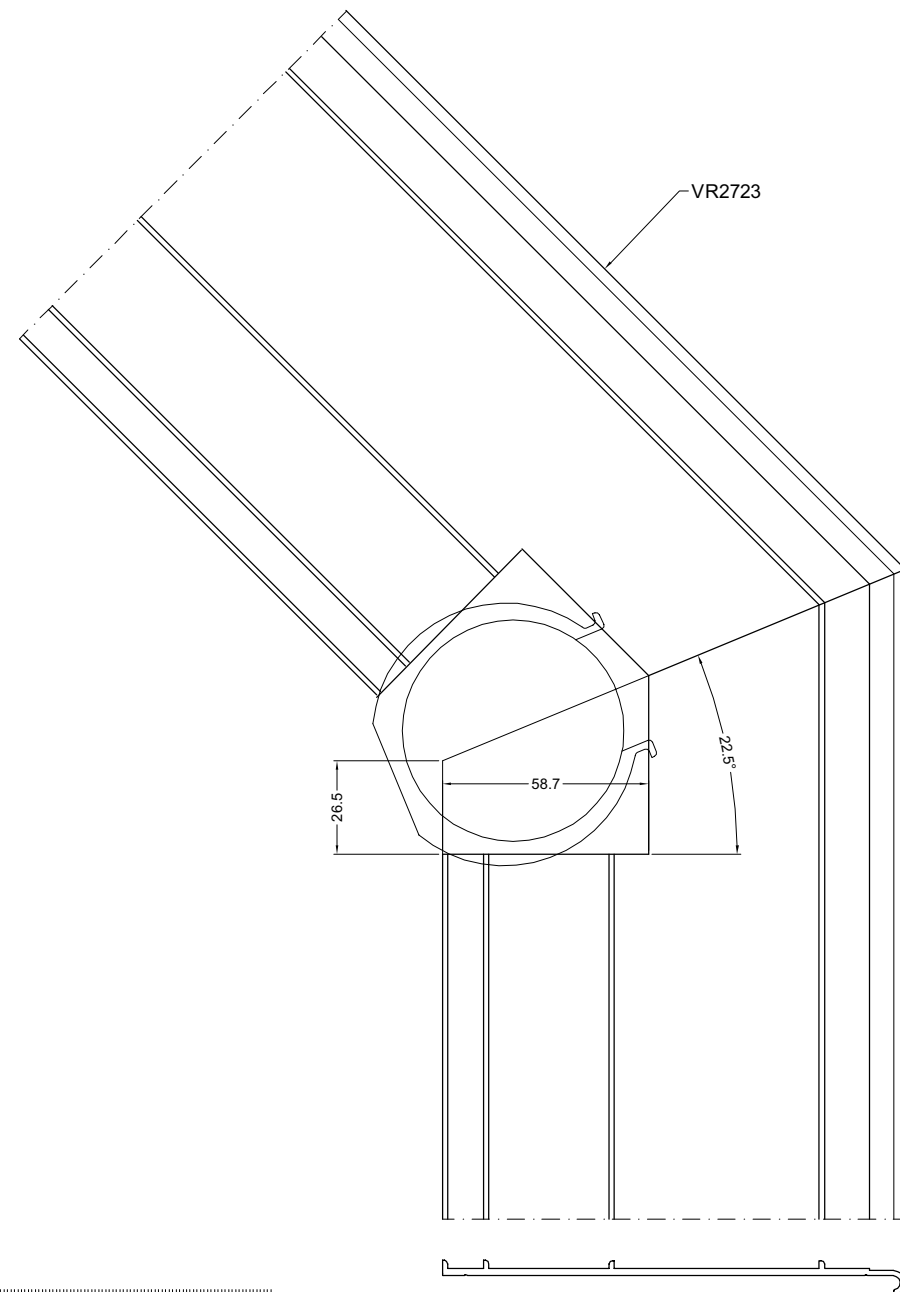
WERKTEKENINGEN - DESSINS DE CONSTRUCTION - KONSTRUKTIONZEICHNUNGEN - CONSTRUCTION DRAWINGS



volet

BEWERKING VR2773/VR2775
USINAGE VR2773/VR2775
BEARBEITUNG VR2773/VR2775
MACHINING VR2773/VR2775

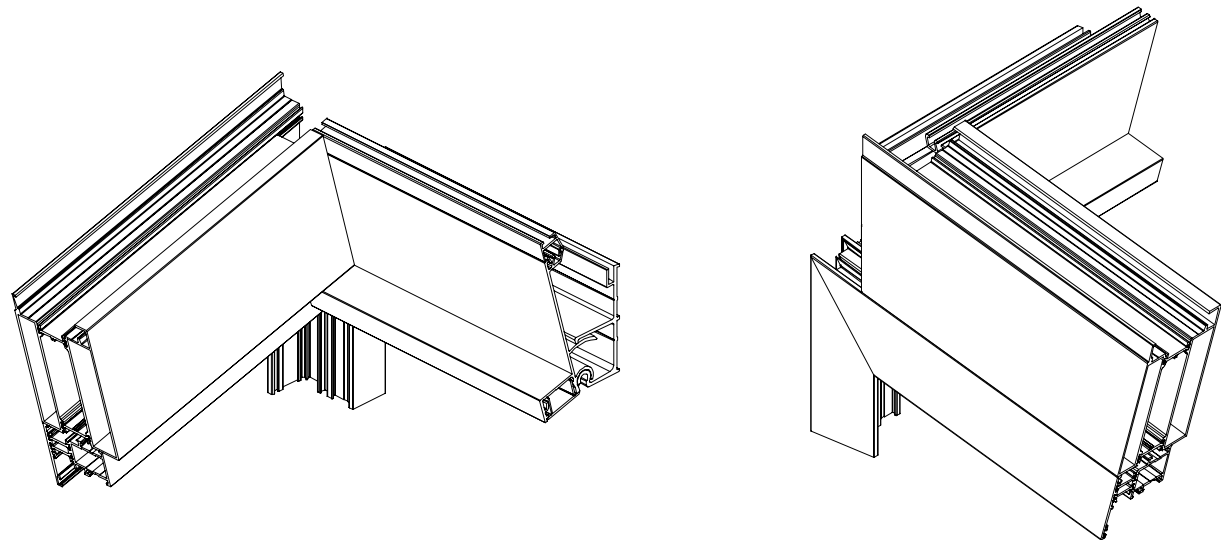
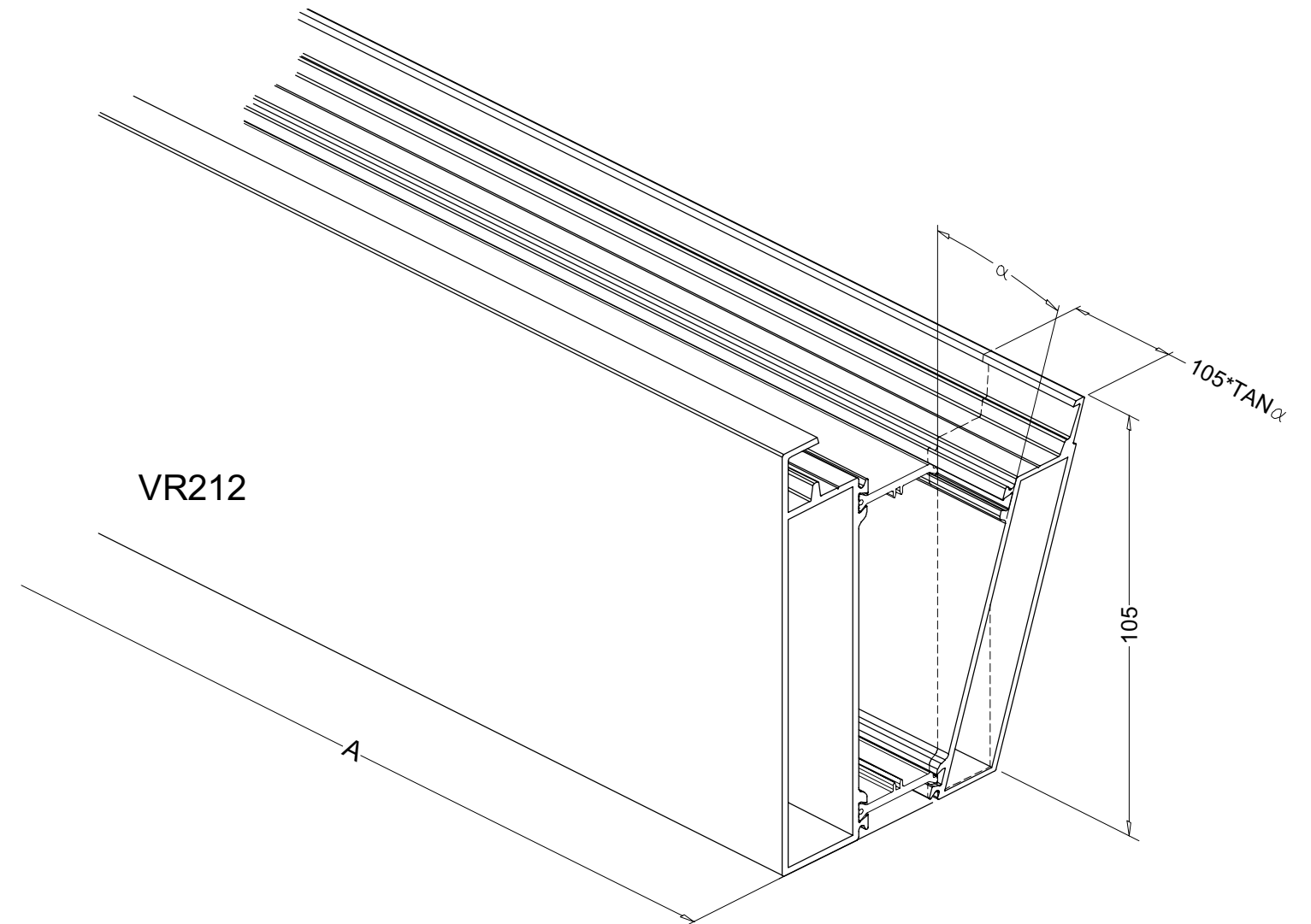
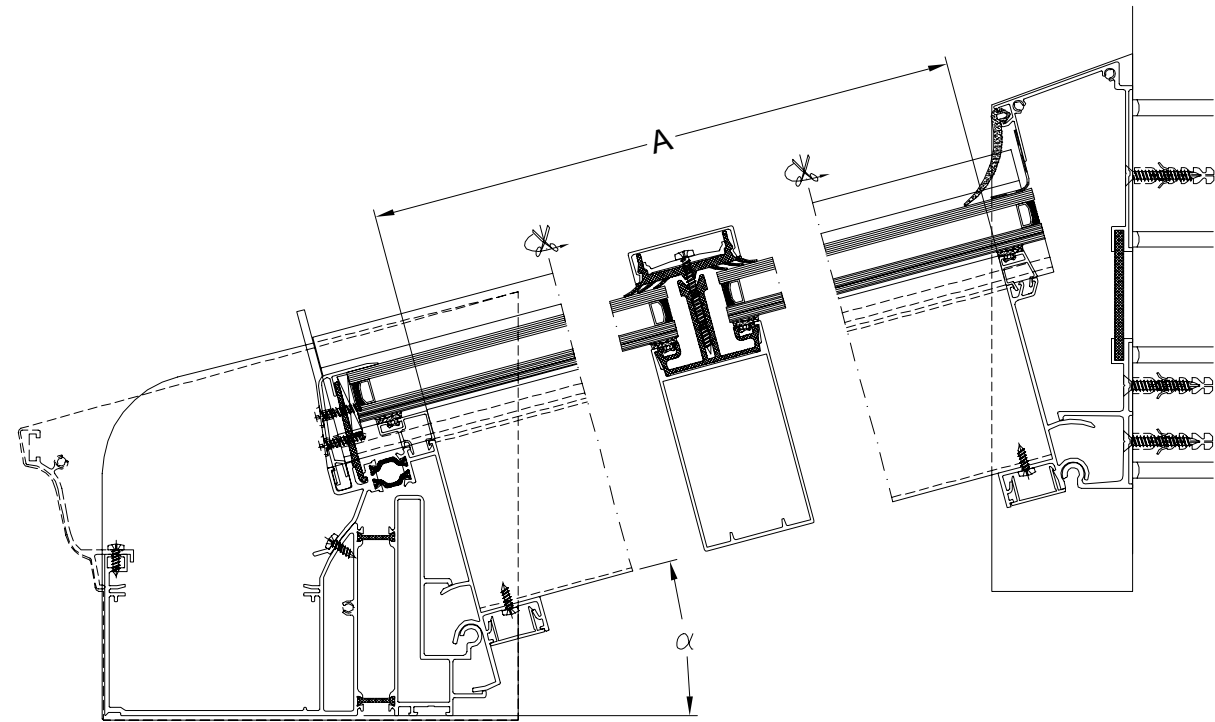
WERKTEKENINGEN - DESSINS DE CONSTRUCTION - KONSTRUKTIONZEICHNUNGEN - CONSTRUCTION DRAWINGS



violet2

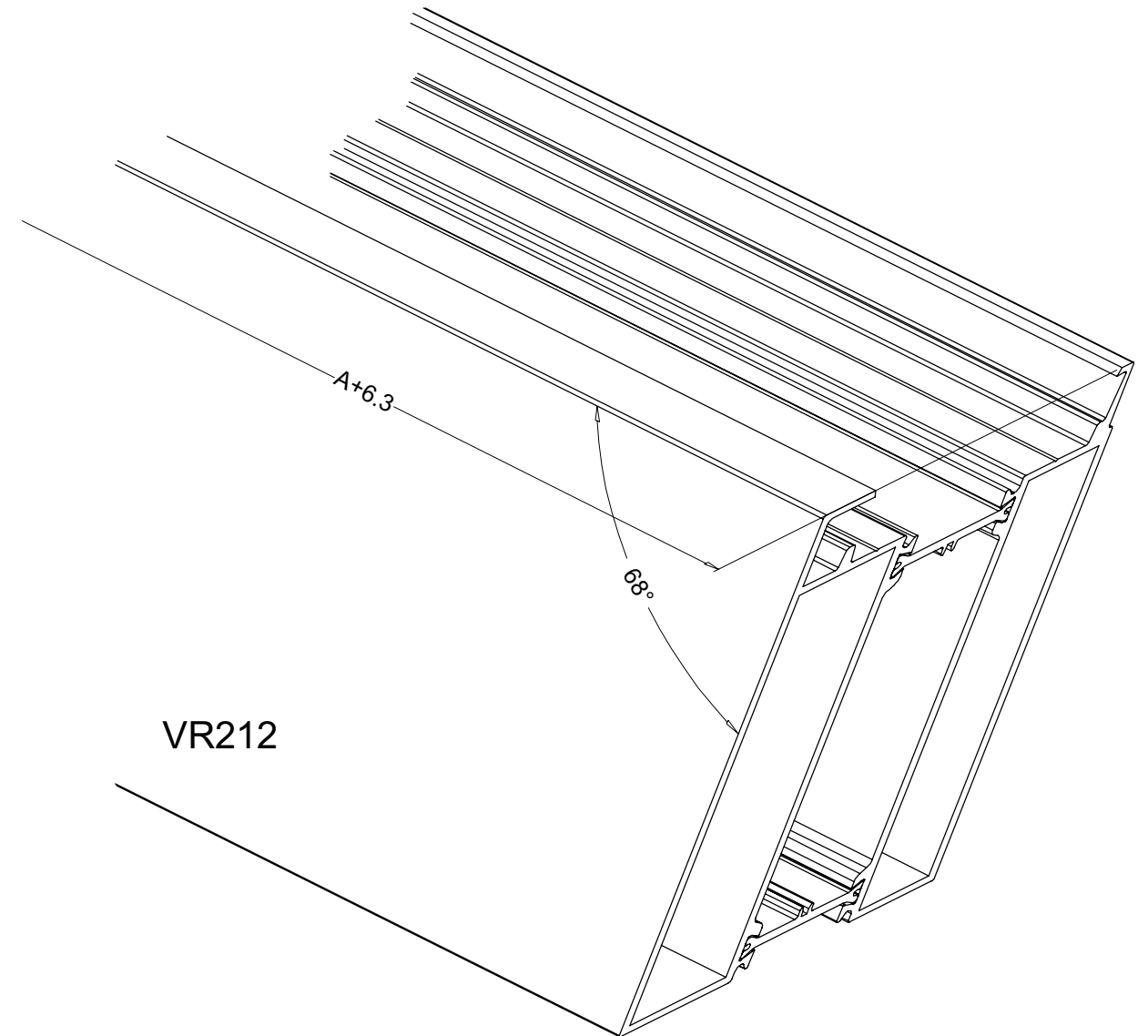
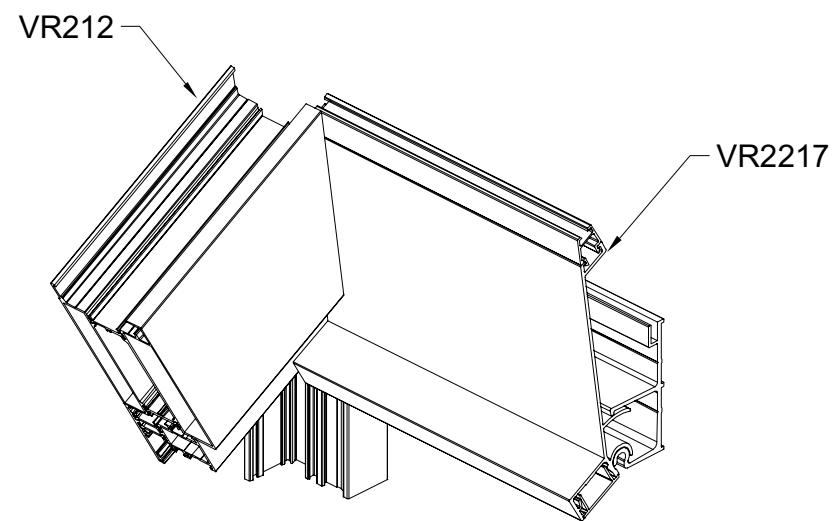
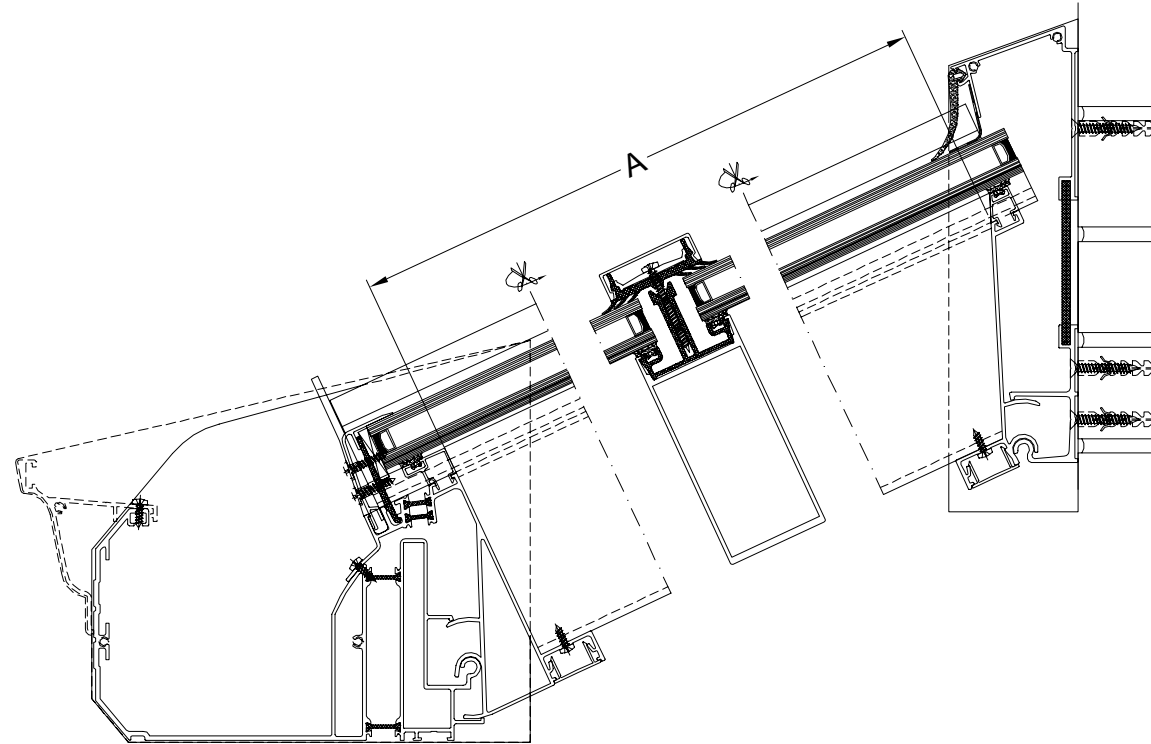
BEWERKING VR212
USINAGE VR212
BEARBEITUNG VR212
MACHINING VR212

WERKTEKENINGEN - DESSINS DE CONSTRUCTION - KONSTRUKTIONZEICHNUNGEN - CONSTRUCTION DRAWINGS



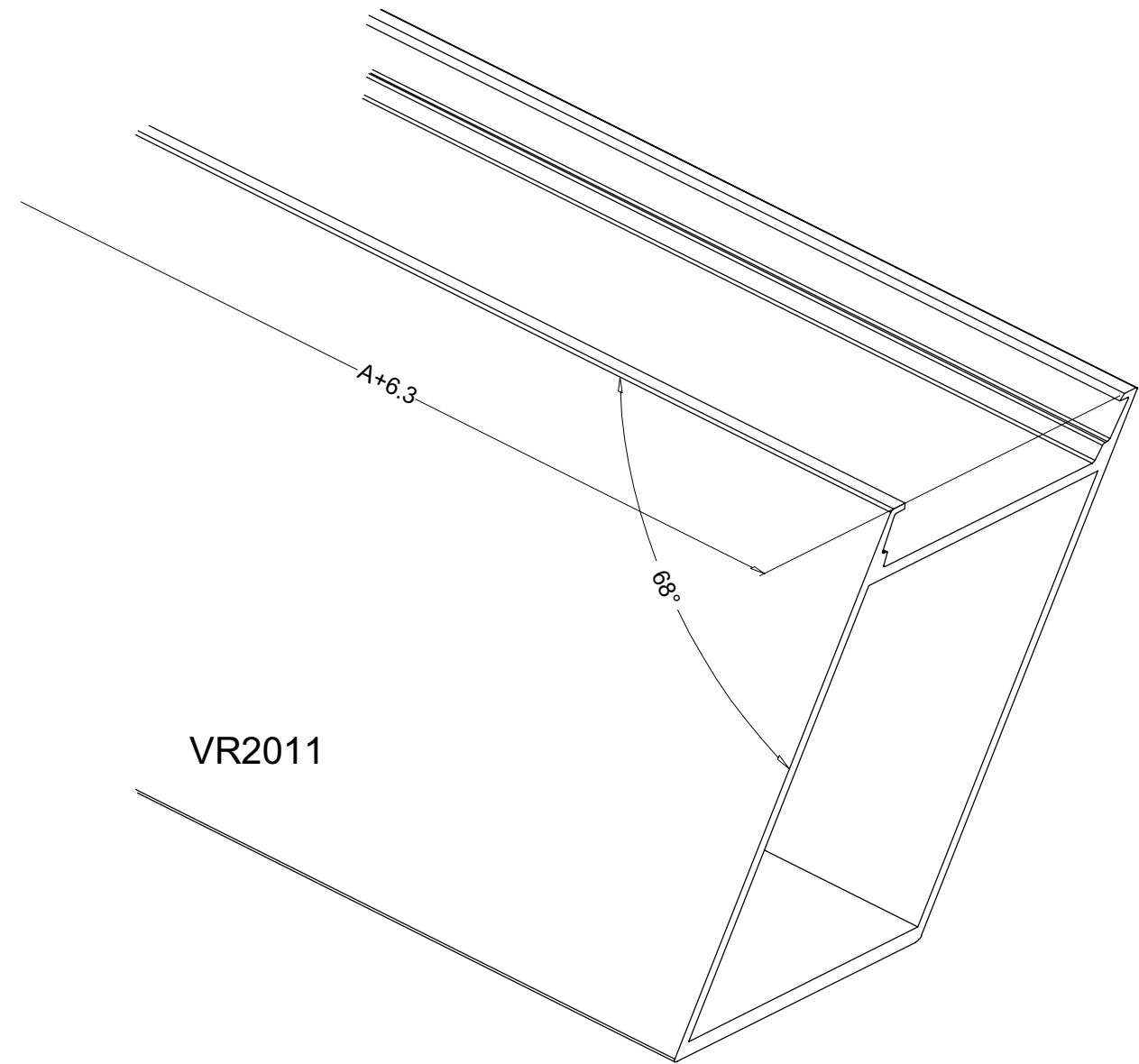
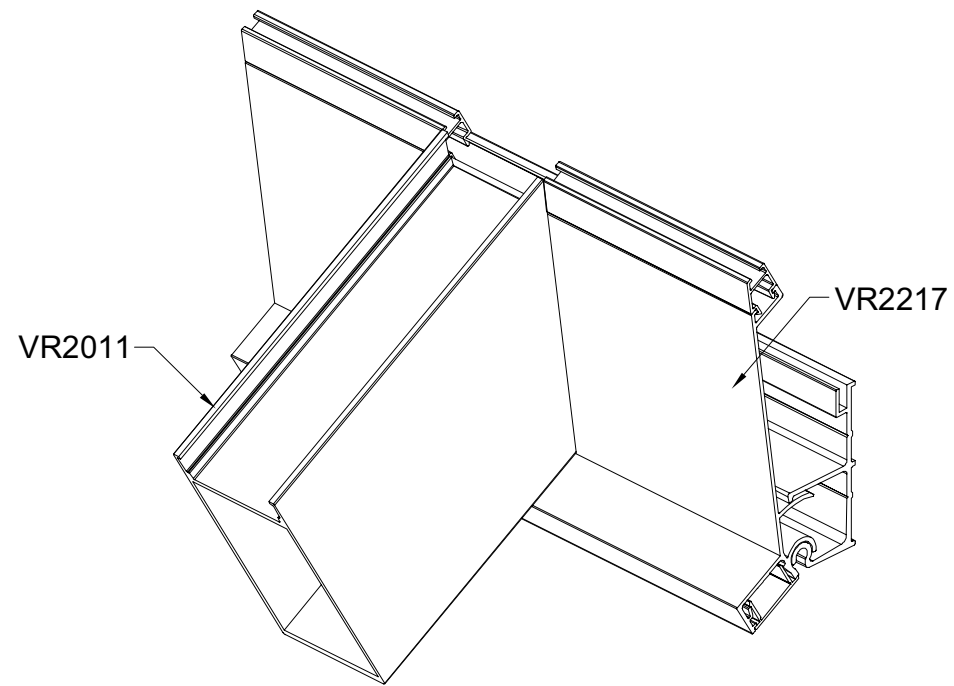
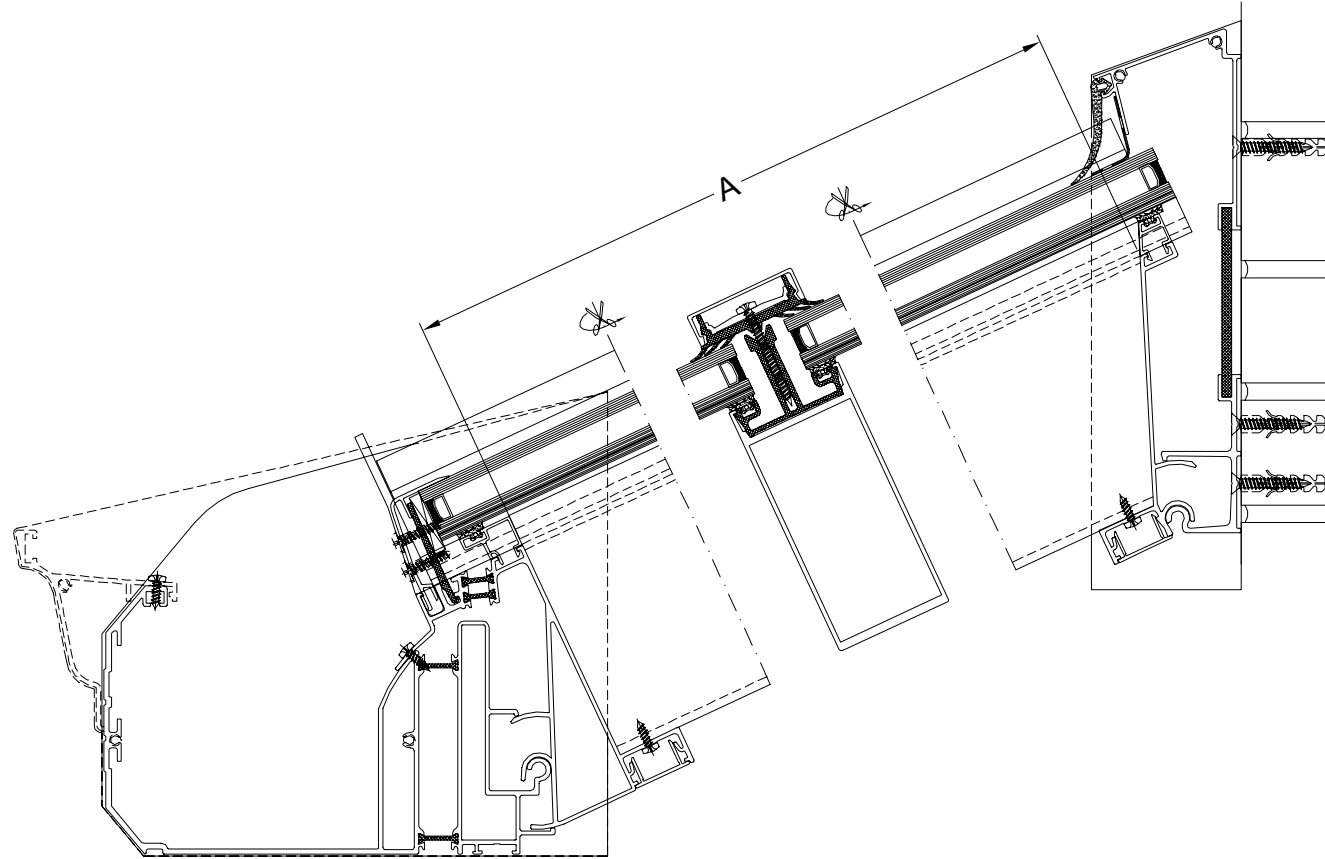
BEWERKING VR212 MET VR2217
USINAGE VR212 AVEC VR2217
BEARBEITUNG VR212 MIT VR2217
MACHINING VR212 WITH VR2217

WERKTEKENINGEN - DESSINS DE CONSTRUCTION - KONSTRUKTIONZEICHNUNGEN - CONSTRUCTION DRAWINGS



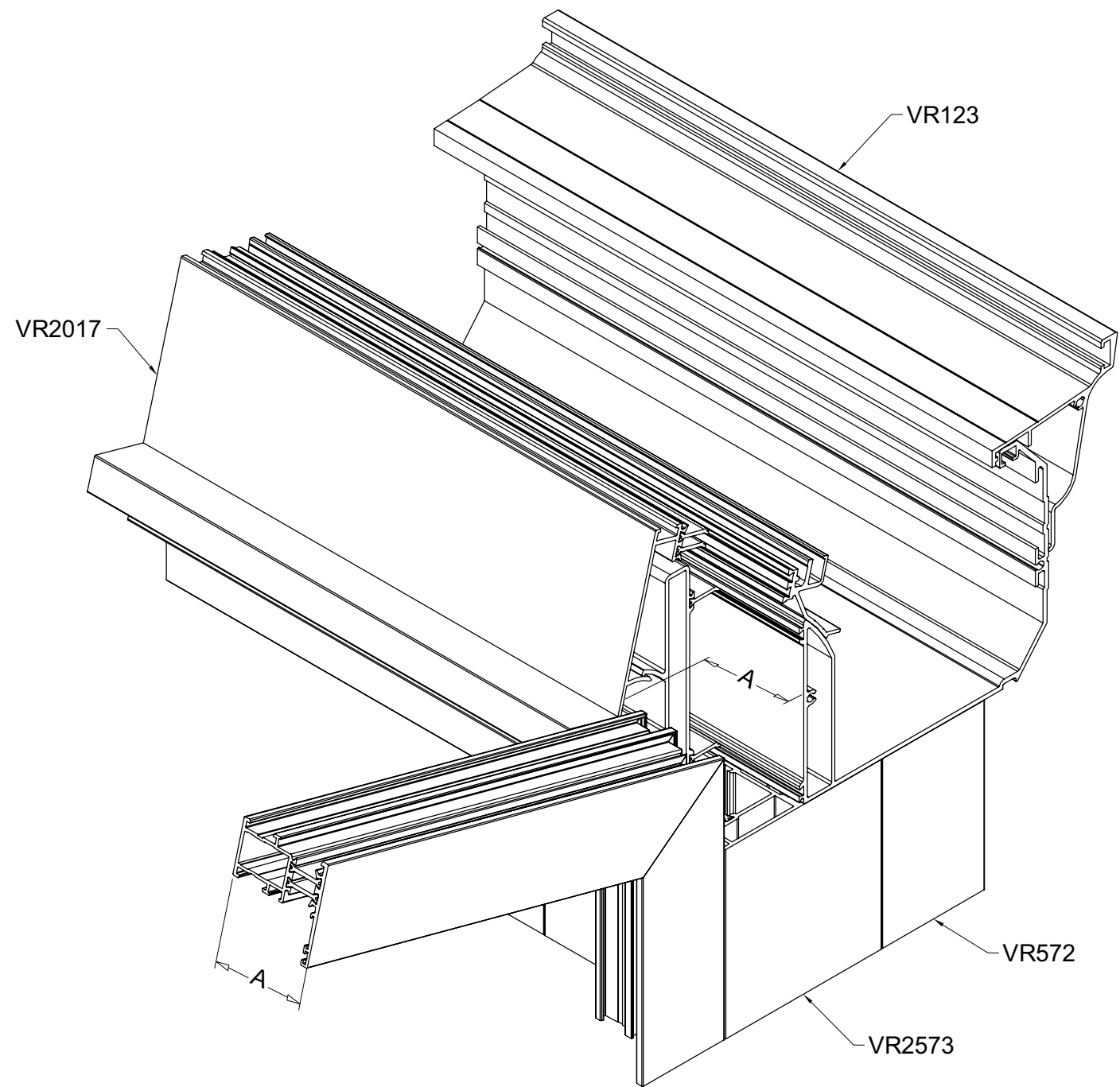
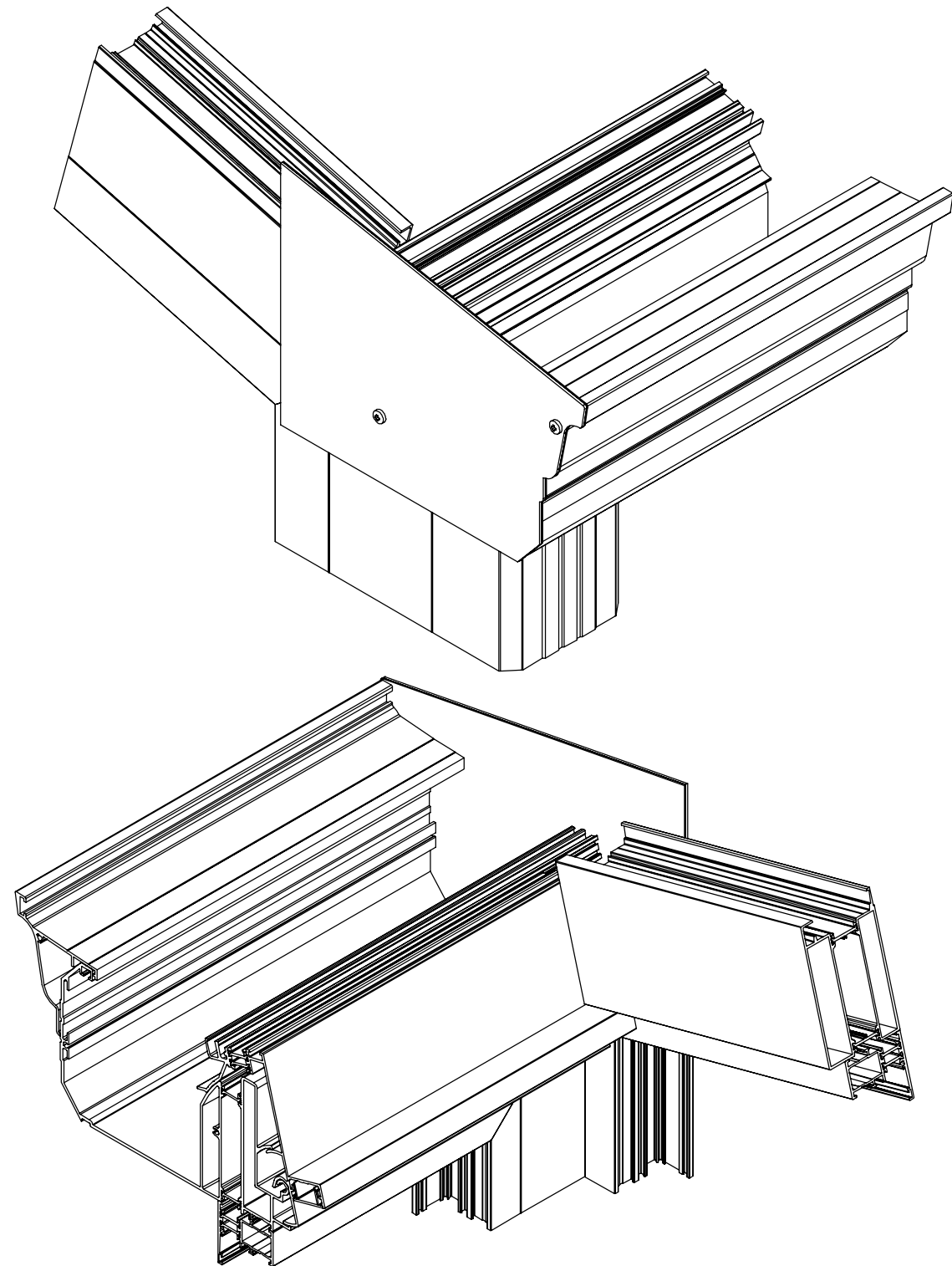
BEWERKING VR2011
USINAGE VR2011
BEARBEITUNG VR2011
MACHINING VR2011

WERKTEKENINGEN - DESSINS DE CONSTRUCTION - KONSTRUKTIONZEICHNUNGEN - CONSTRUCTION DRAWINGS



BEWERKING SCHARNIERPROFIEL EN GOOT
USINAGE PROFIL CHARNIERE ET GOUTTIERE
BEARBEITUNG SCHARNIERPROFIL UND DACHRINNE
MACHINING HINGE PROFILE AND GUTTER

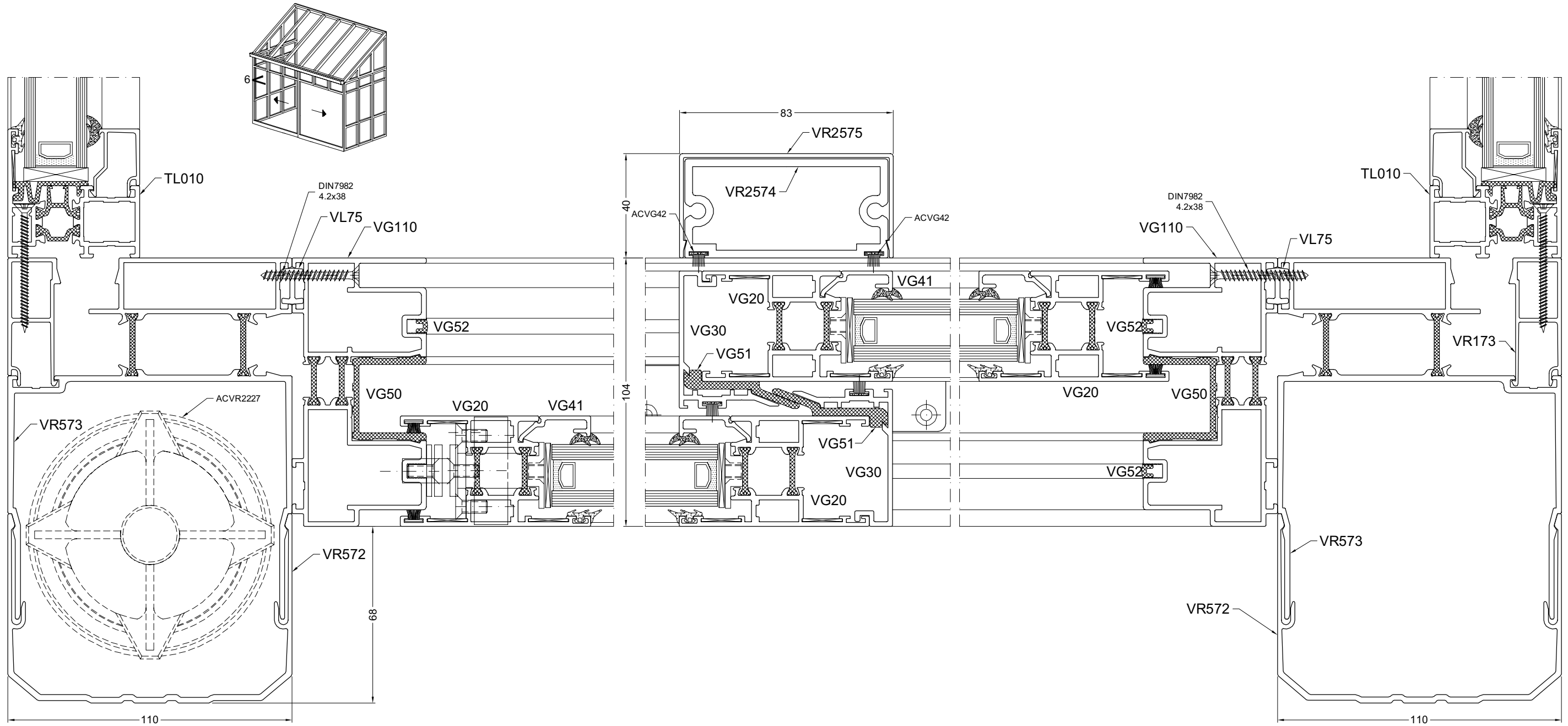
WERKTEKENINGEN - DESSINS DE CONSTRUCTION - KONSTRUKTIONZEICHNUNGEN - CONSTRUCTION DRAWINGS



zaag

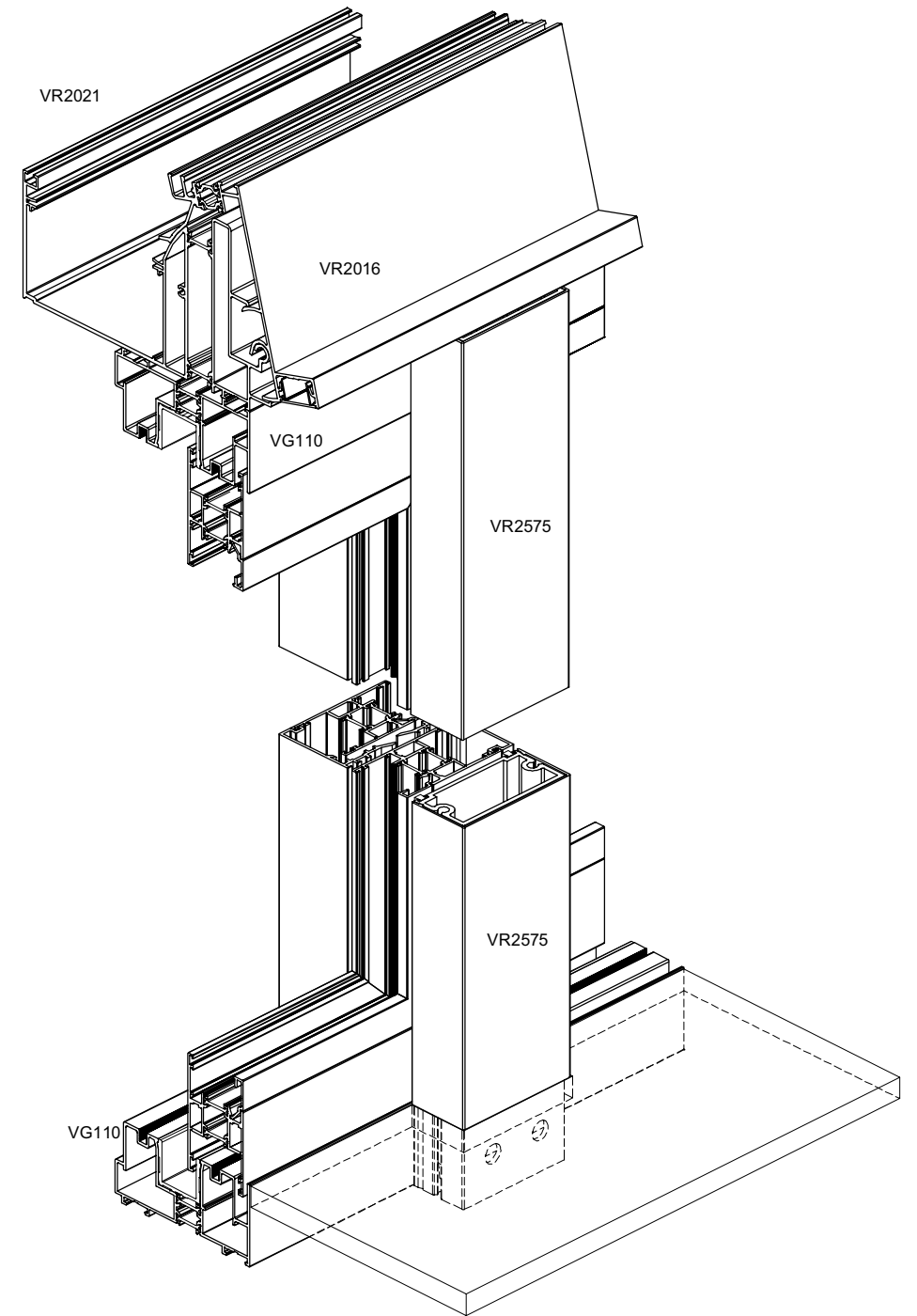
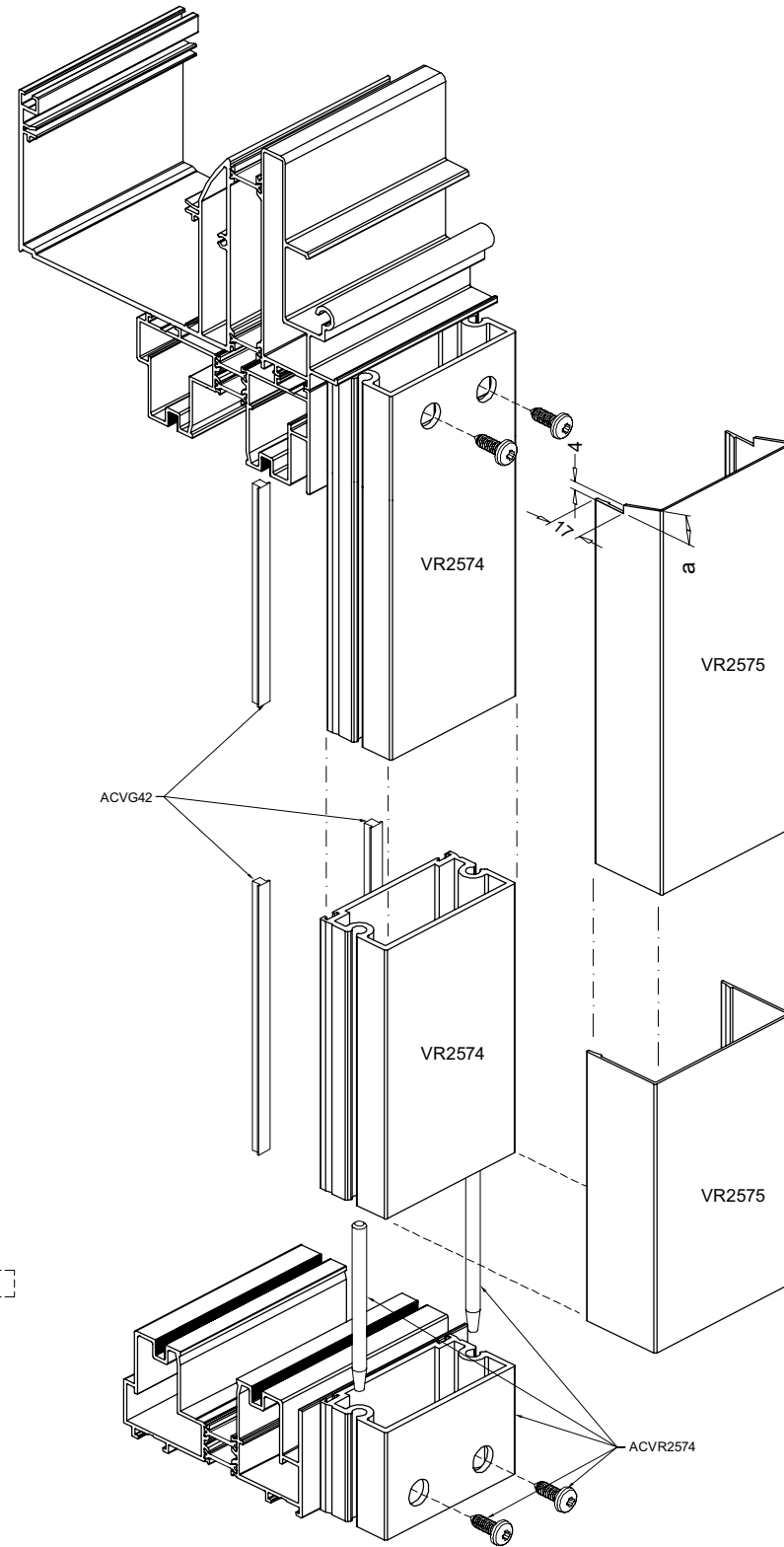
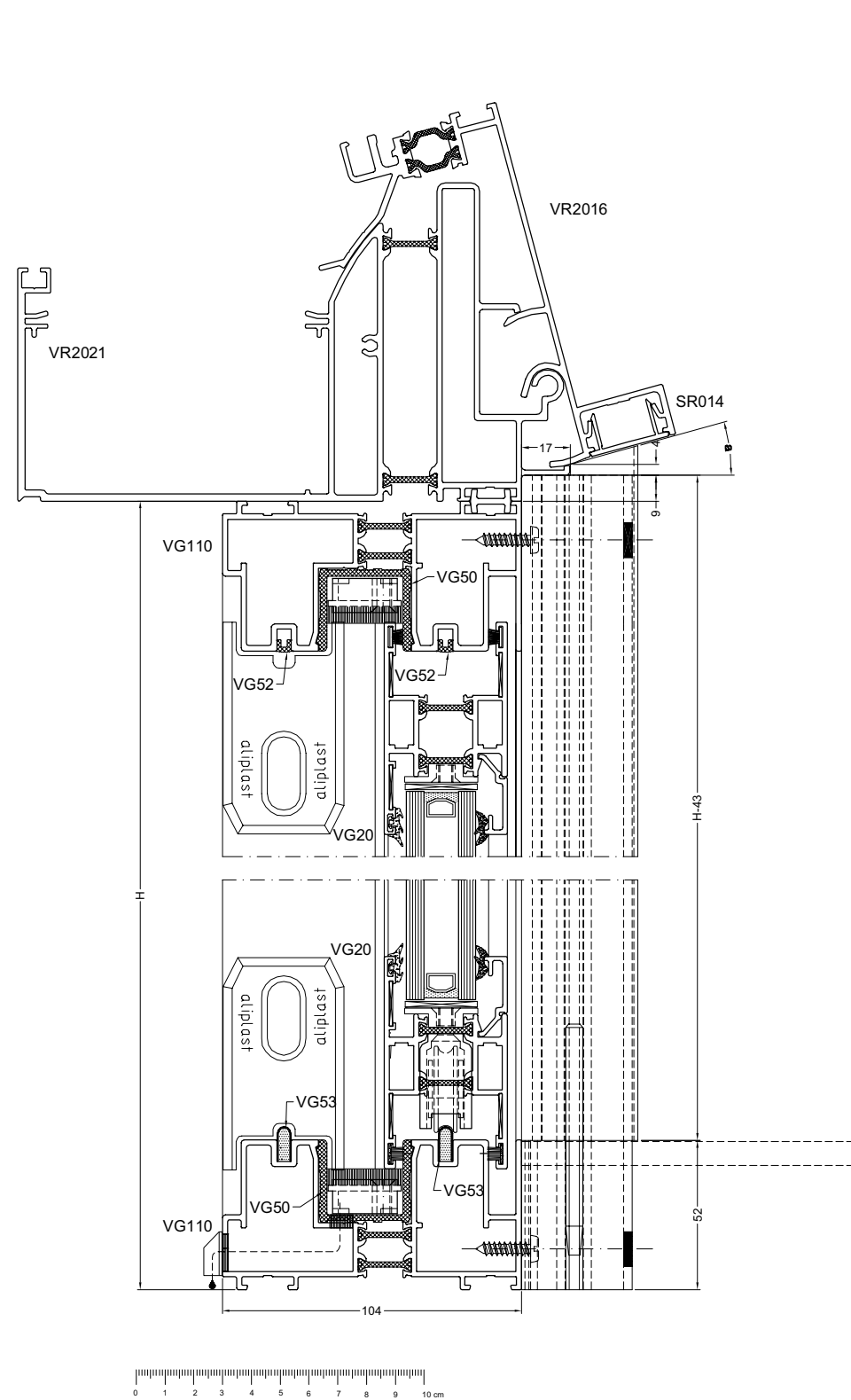
BIJKOMENDE ONDERSTEUNING VOOR GOOT
SUPPORT SUPPLEMENTAIRE POUR GOUTTIERE
ZUSÄTZLICHE UNTERSTÜTZUNG FÜR DACHRINNE
ADDITIONAL SUPPORT FOR GUTTER

WERKTEKENINGEN - DESSINS DE CONSTRUCTION - KONSTRUKTIONZEICHNUNGEN - CONSTRUCTION DRAWINGS



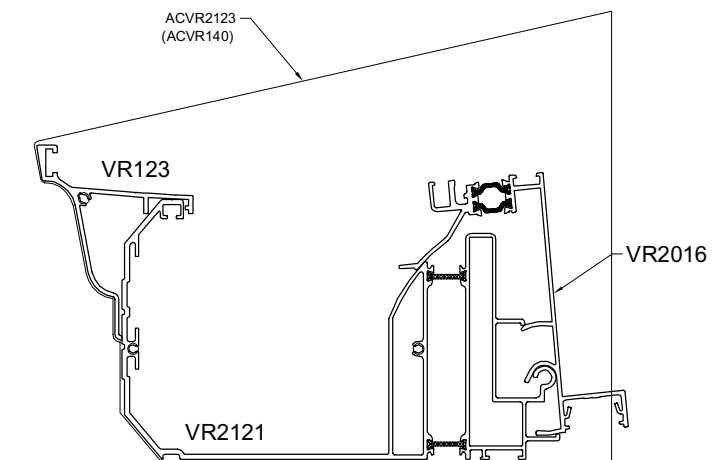
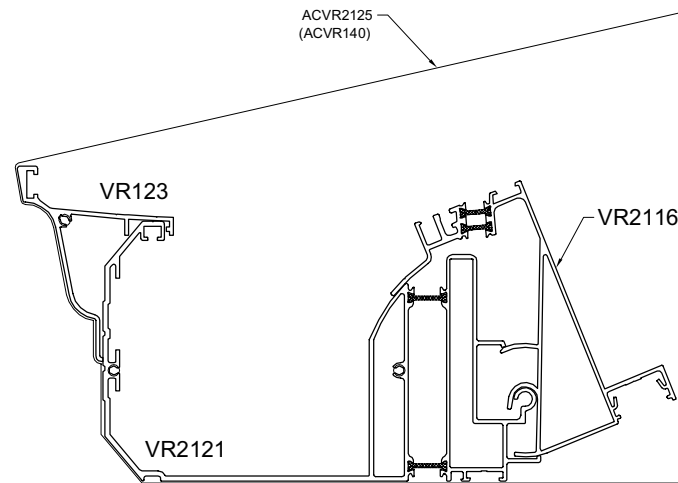
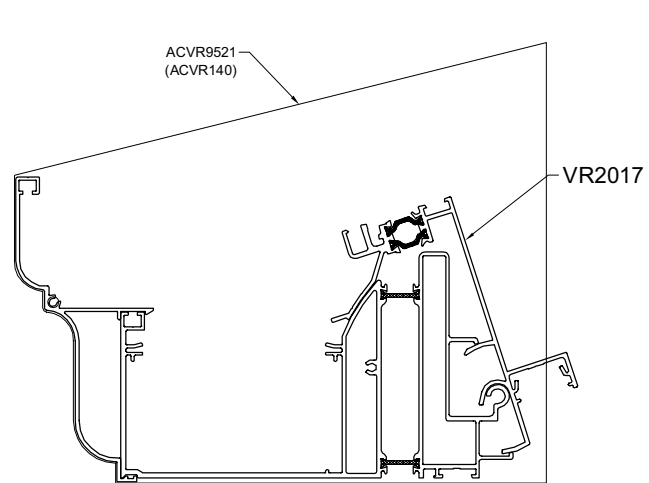
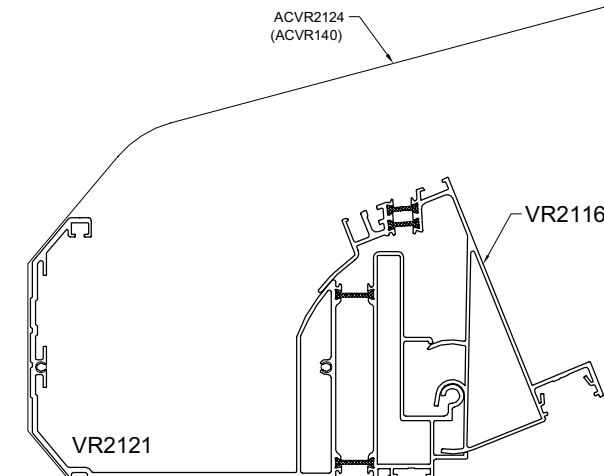
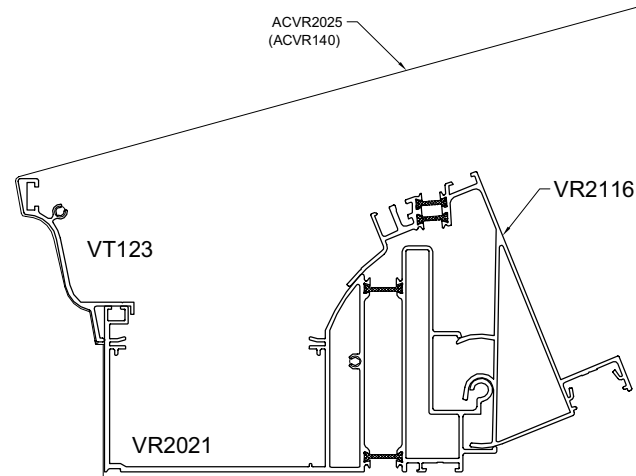
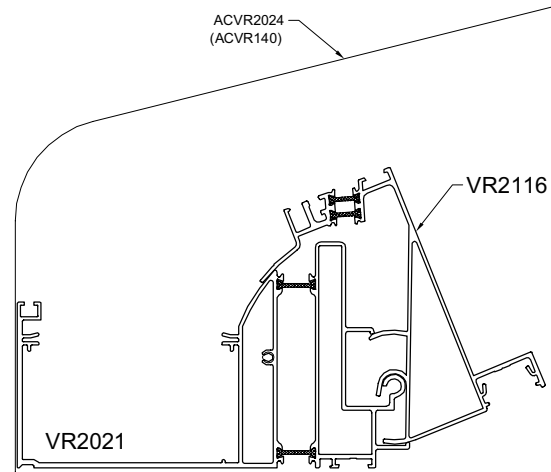
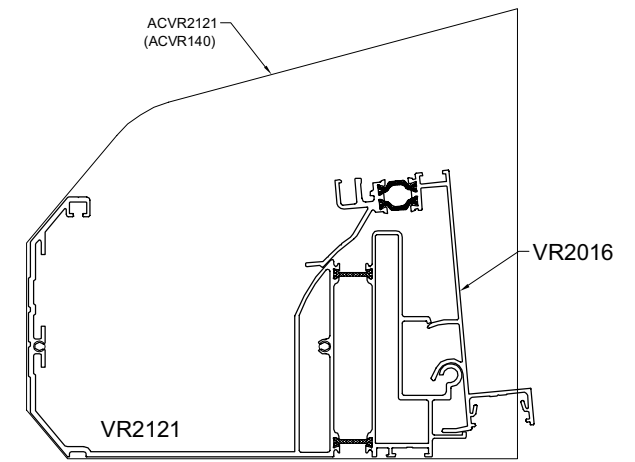
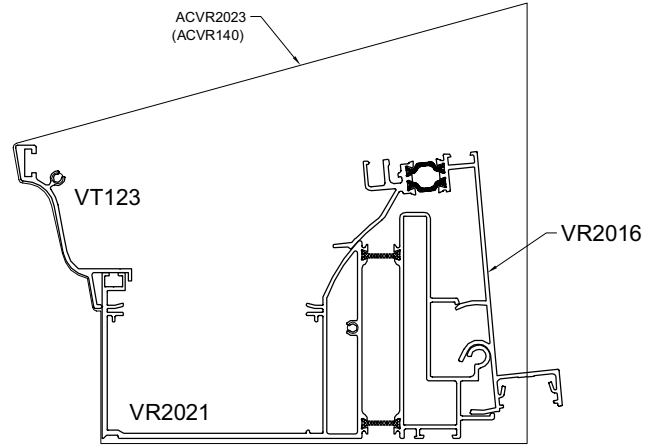
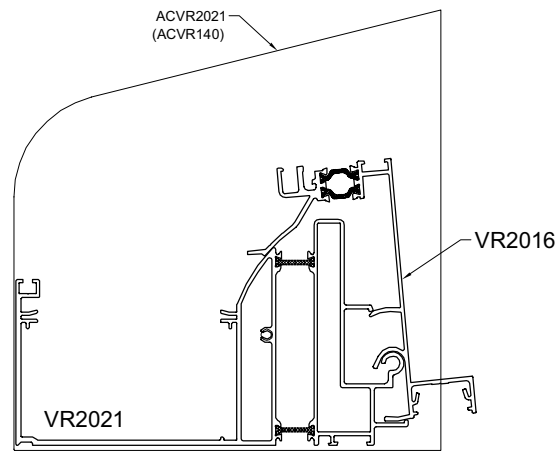
BIJKOMENDE ONDERSTEUNING VOOR GOOT
SUPPORT SUPPLEMENTAIRE POUR GOUTTIERE
ZUSÄTZLICHE UNTERSTÜTZUNG FÜR DACHRINNE
ADDITIONAL SUPPORT FOR GUTTER

WERKTEKENINGEN - DESSINS DE CONSTRUCTION - KONSTRUKTIONZEICHNUNGEN - CONSTRUCTION DRAWINGS



OVERZICHT KOPPLATEN GOOT
RESUME FERMETURES LATERALES GOUTTIERE
ÜBERSICHT ENDKAPPE DACHRINNE
OVERVIEW GUTTER SIDEPLATES

WERKTEKENINGEN - DESSINS DE CONSTRUCTION - KONSTRUKTIONZEICHNUNGEN - CONSTRUCTION DRAWINGS



overzicht

MAATBEPALING HOOGTE TRAPEZIUM VAN 5° TOT 22°
DIMENSIONS HAUTEUR TRAPEZE DE 5° JUSQU'A 22°
MASSBESTIMMUNG HOHE TRAPEZ VON 5° BIS 22°
MEASURE TRAPEZIUM HEIGHT FROM 5° UP TO 22°

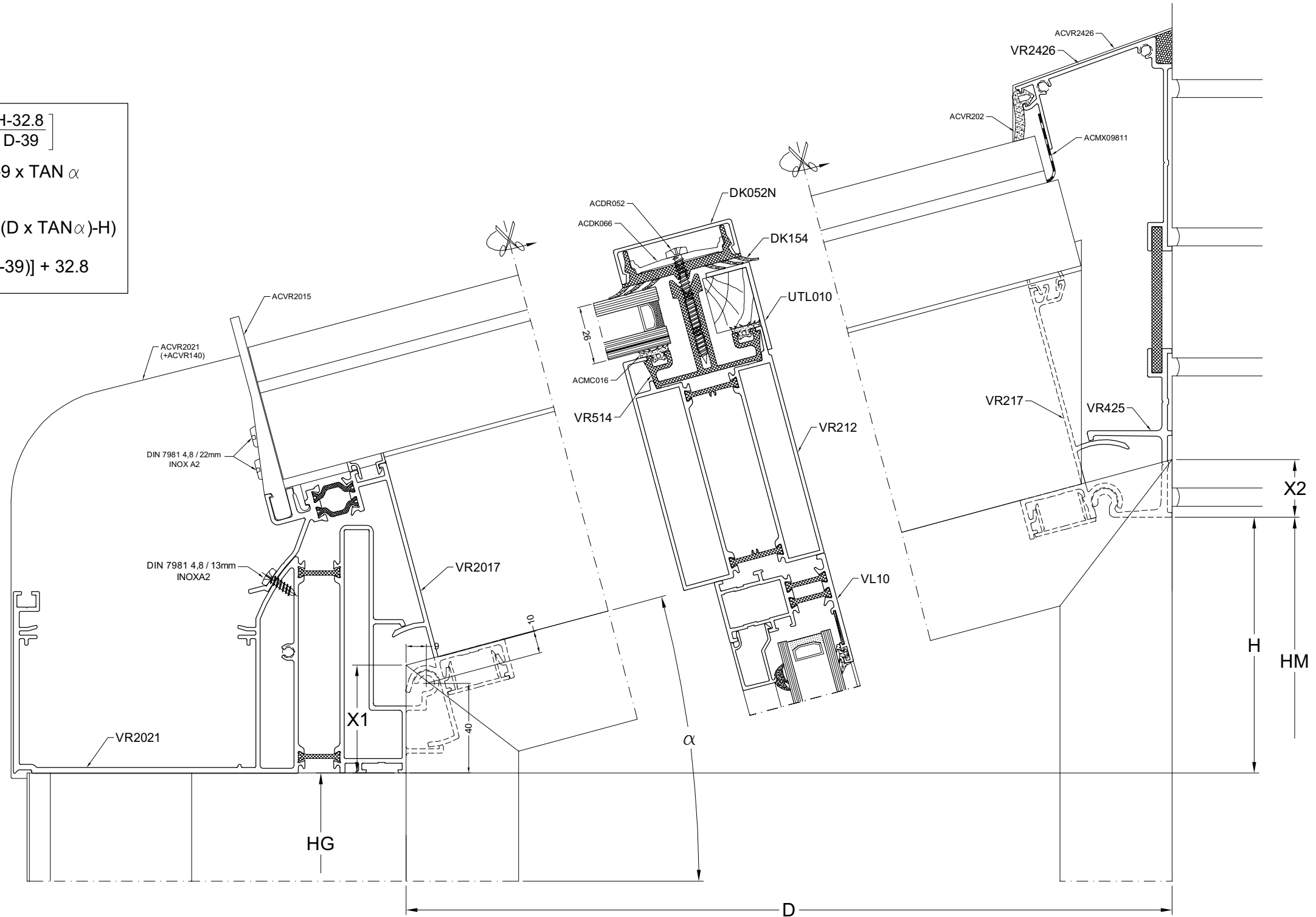
WERKTEKENINGEN - DESSINS DE CONSTRUCTION - KONSTRUKTIONZEICHNUNGEN - CONSTRUCTION DRAWINGS

$$\alpha = \text{ARCTAN} \left[\frac{H-32.8}{D-39} \right]$$

$$X1 = 40 + \frac{10}{\cos \alpha} - 9 \times \tan \alpha$$

$$X2 = \text{ABS}(X1 + (D \times \tan \alpha) - H)$$

$$H = [\tan \alpha \times (D - 39)] + 32.8$$



TRAP1

MAATBEPALING HOOGTE TRAPEZIUM VAN 5° TOT 22°
 DIMENSIONS HAUTEUR TRAPEZE DE 5° JUSQU'A 22°
 MASSBESTIMMUNG HOHE TRAPEZ VON 5° BIS 22°
 MEASURE TRAPEZIUM HEIGHT FROM 5° UP TO 22°

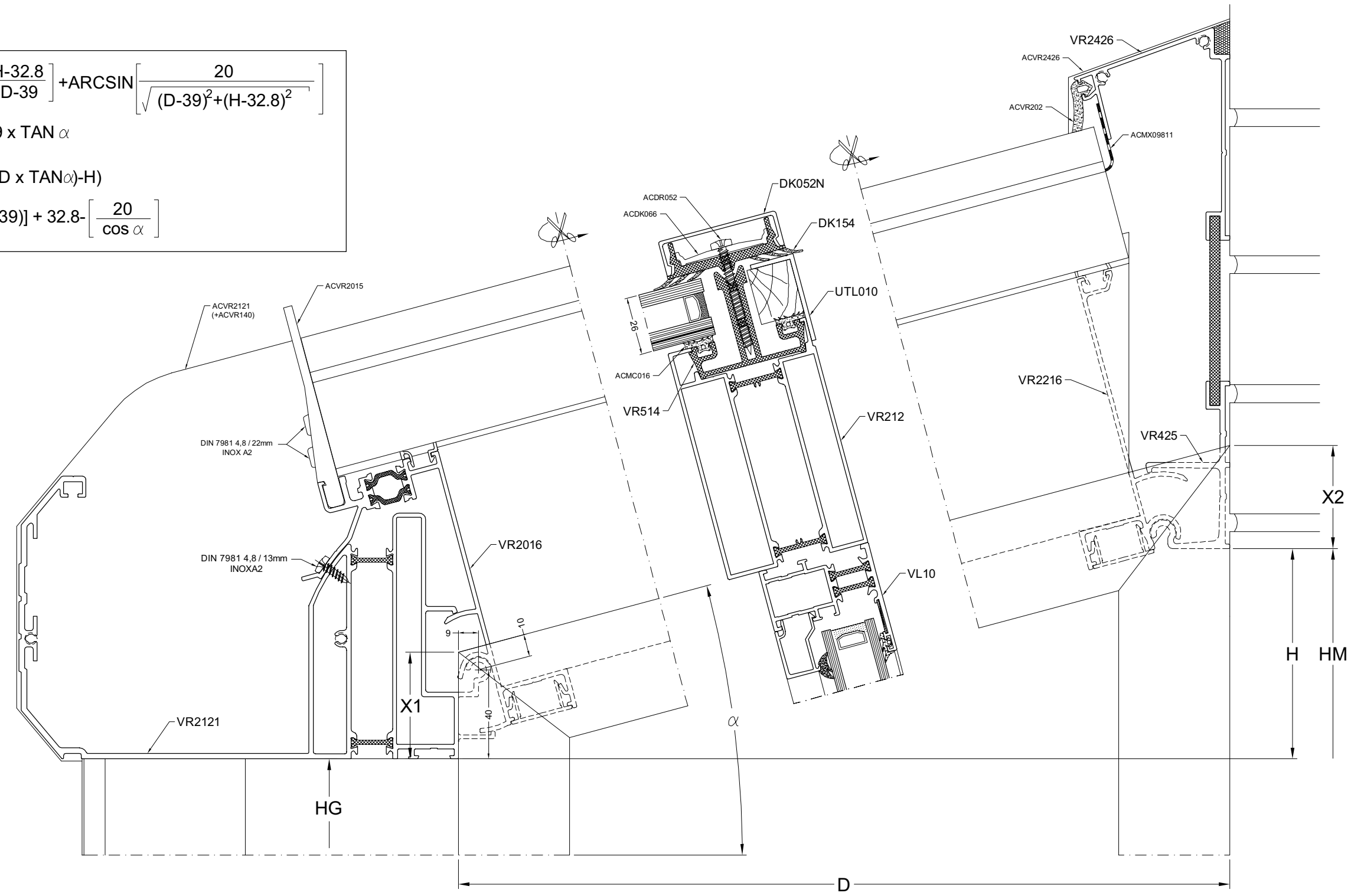
WERKTEKENINGEN - DESSINS DE CONSTRUCTION - KONSTRUKTIONZEICHNUNGEN - CONSTRUCTION DRAWINGS

$$\alpha = \text{ARCTAN} \left[\frac{H-32.8}{D-39} \right] + \text{ARCSIN} \left[\frac{20}{\sqrt{(D-39)^2 + (H-32.8)^2}} \right]$$

$$X1 = 40 + \frac{10}{\cos \alpha} - 9 \times \tan \alpha$$

$$X2 = \text{ABS}(X1 + (D \times \tan \alpha) - H)$$

$$H = [\tan \alpha \times (D-39)] + 32.8 - \left[\frac{20}{\cos \alpha} \right]$$



MAATBEPALING HOOGTE TRAPEZIUM VAN 5° TOT 22°
DIMENSIONS HAUTEUR TRAPEZE DE 5° JUSQU'A 22°
MASSBESTIMMUNG HOHE TRAPEZ VON 5° BIS 22°
MEASURE TRAPEZIUM HEIGHT FROM 5° UP TO 22°

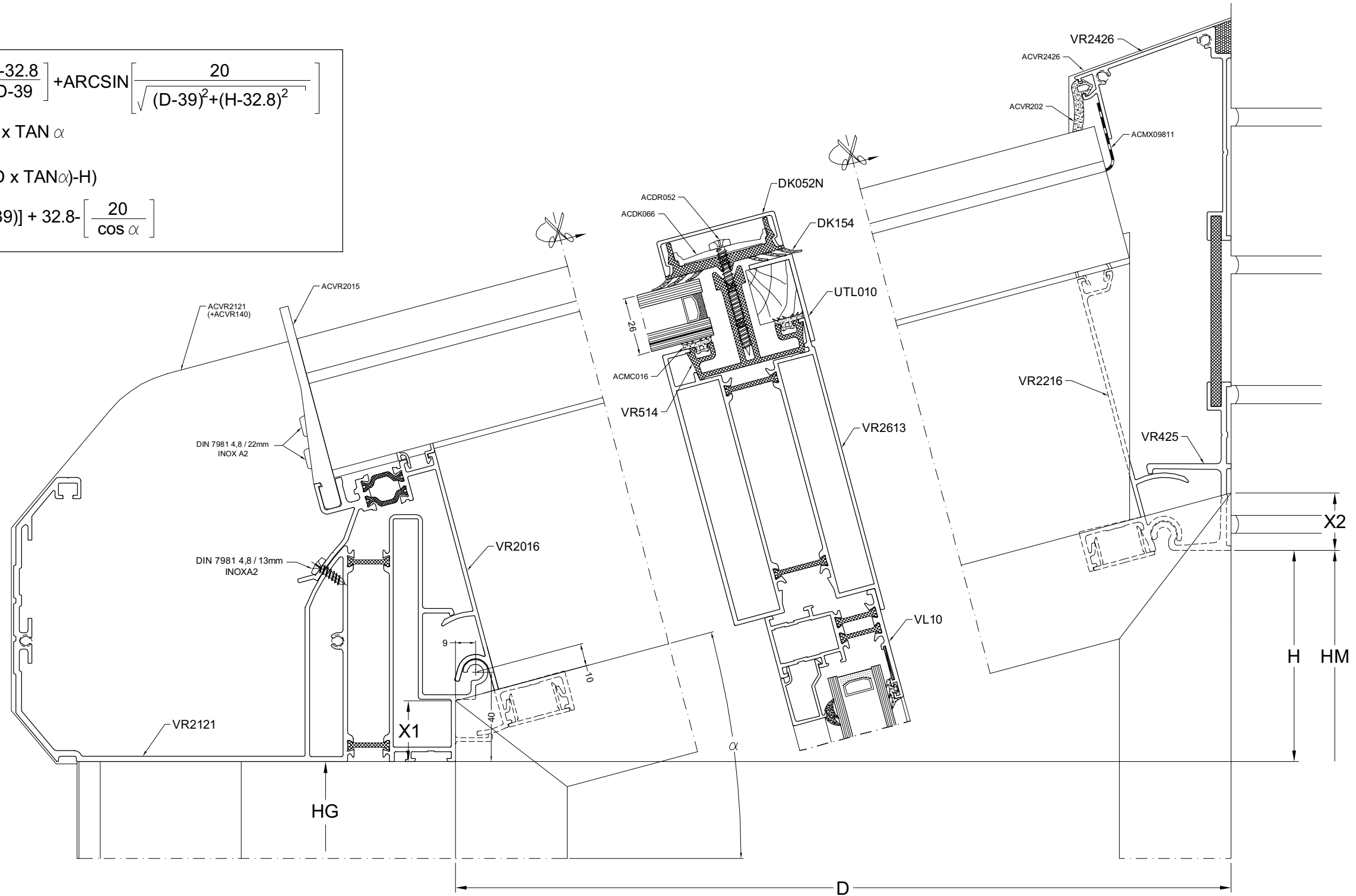
WERKTEKENINGEN - DESSINS DE CONSTRUCTION - KONSTRUKTIONZEICHNUNGEN - CONSTRUCTION DRAWINGS

$$\alpha = \text{ARCTAN} \left[\frac{H-32.8}{D-39} \right] + \text{ARCSIN} \left[\frac{20}{\sqrt{(D-39)^2 + (H-32.8)^2}} \right]$$

$$X1 = 40 + \frac{10 - 9 \times \tan \alpha}{\cos \alpha}$$

$$X2 = \text{ABS}(X1 + (D \times \tan \alpha) - H)$$

$$H = [\tan \alpha \times (D-39)] + 32.8 - \frac{20}{\cos \alpha}$$



TRAP5

MAATBEPALING HOOGTE TRAPEZIUM VAN 22° TOT 45°
 DIMENSIONS HAUTEUR TRAPEZE DE 22° JUSQU'A 45°
 MASSBESTIMMUNG HOHE TRAPEZ VON 22° BIS 45°
 MEASURE TRAPEZIUM HEIGHT FROM 22° UP TO 45°

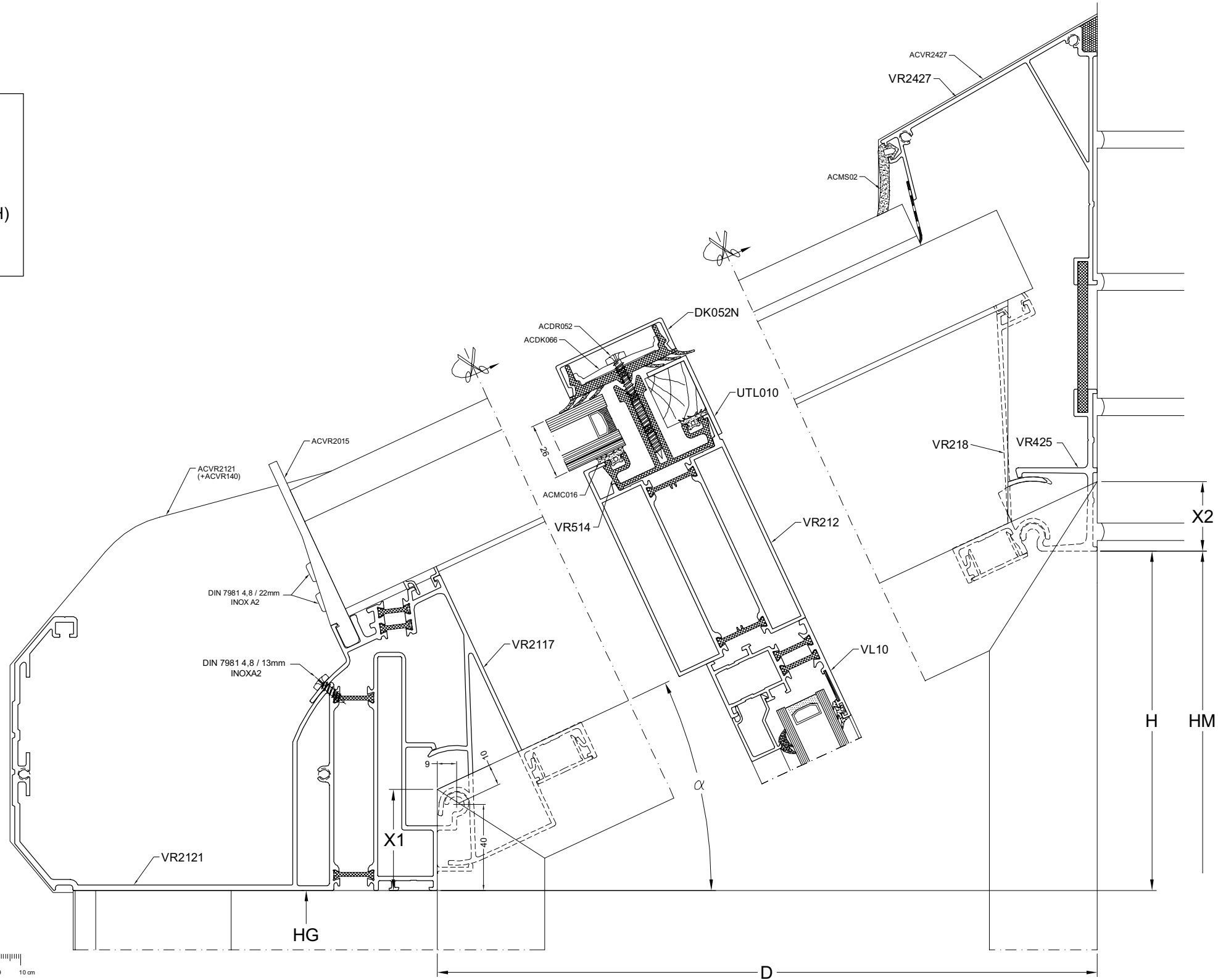
WERKTEKENINGEN - DESSINS DE CONSTRUCTION - KONSTRUKTIONZEICHNUNGEN - CONSTRUCTION DRAWINGS

$$\alpha = \text{ARCTAN} \left[\frac{H-32.8}{D-39} \right]$$

$$X1 = 40 + \frac{10 - 9 \times \tan \alpha}{\cos \alpha}$$

$$X2 = \text{ABS}(X1 + (D \times \tan \alpha) - H)$$

$$H = [\tan \alpha \times (D-39)] + 32.8$$



MAATBEPALING HOOGTE TRAPEZIUM VAN 22° TOT 45°
DIMENSIONS HAUTEUR TRAPEZE DE 22° JUSQU'A 45°
MASSBESTIMMUNG HOHE TRAPEZ VON 22° BIS 45°
MEASURE TRAPEZIUM HEIGHT FROM 22° UP TO 45°

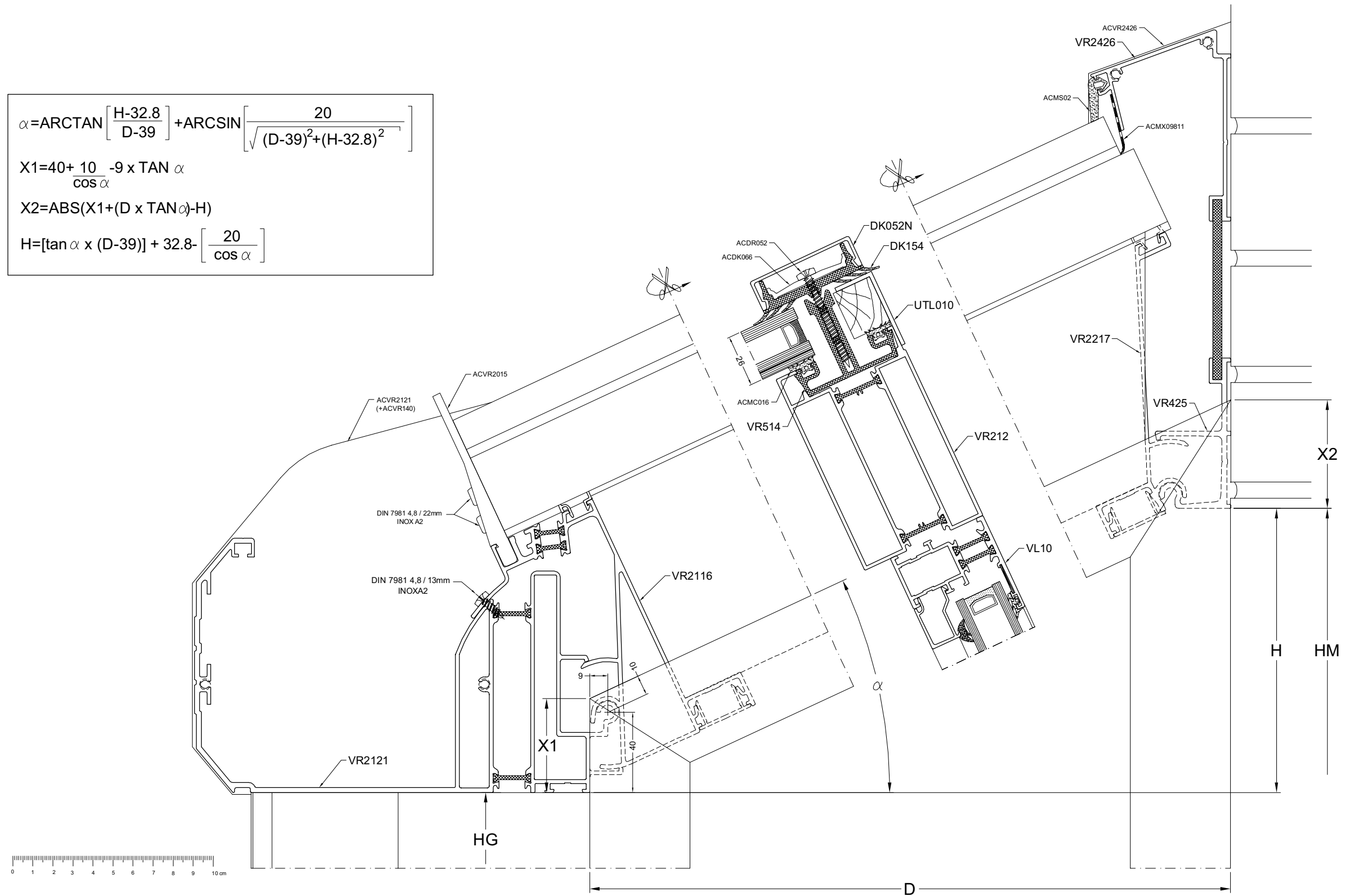
WERKTEKENINGEN - DESSINS DE CONSTRUCTION - KONSTRUKTIONZEICHNUNGEN - CONSTRUCTION DRAWINGS

$$\alpha = \text{ARCTAN} \left[\frac{H-32.8}{D-39} \right] + \text{ARCSIN} \left[\frac{20}{\sqrt{(D-39)^2 + (H-32.8)^2}} \right]$$

$$X1 = 40 + \frac{10}{\cos \alpha} - 9 \times \text{TAN } \alpha$$

$$X2 = \text{ABS}(X1 + (D \times \text{TAN } \alpha) - H)$$

$$H = [\text{tan } \alpha \times (D-39)] + 32.8 - \left[\frac{20}{\cos \alpha} \right]$$



TRAP4

MAATBEPALING HOOGTE TRAPEZIUM VAN 22° TOT 45°
 DIMENSIONS HAUTEUR TRAPEZE DE 22° JUSQU'A 45°
 MASSBESTIMMUNG HOHE TRAPEZ VON 22° BIS 45°
 MEASURE TRAPEZIUM HEIGHT FROM 22° UP TO 45°

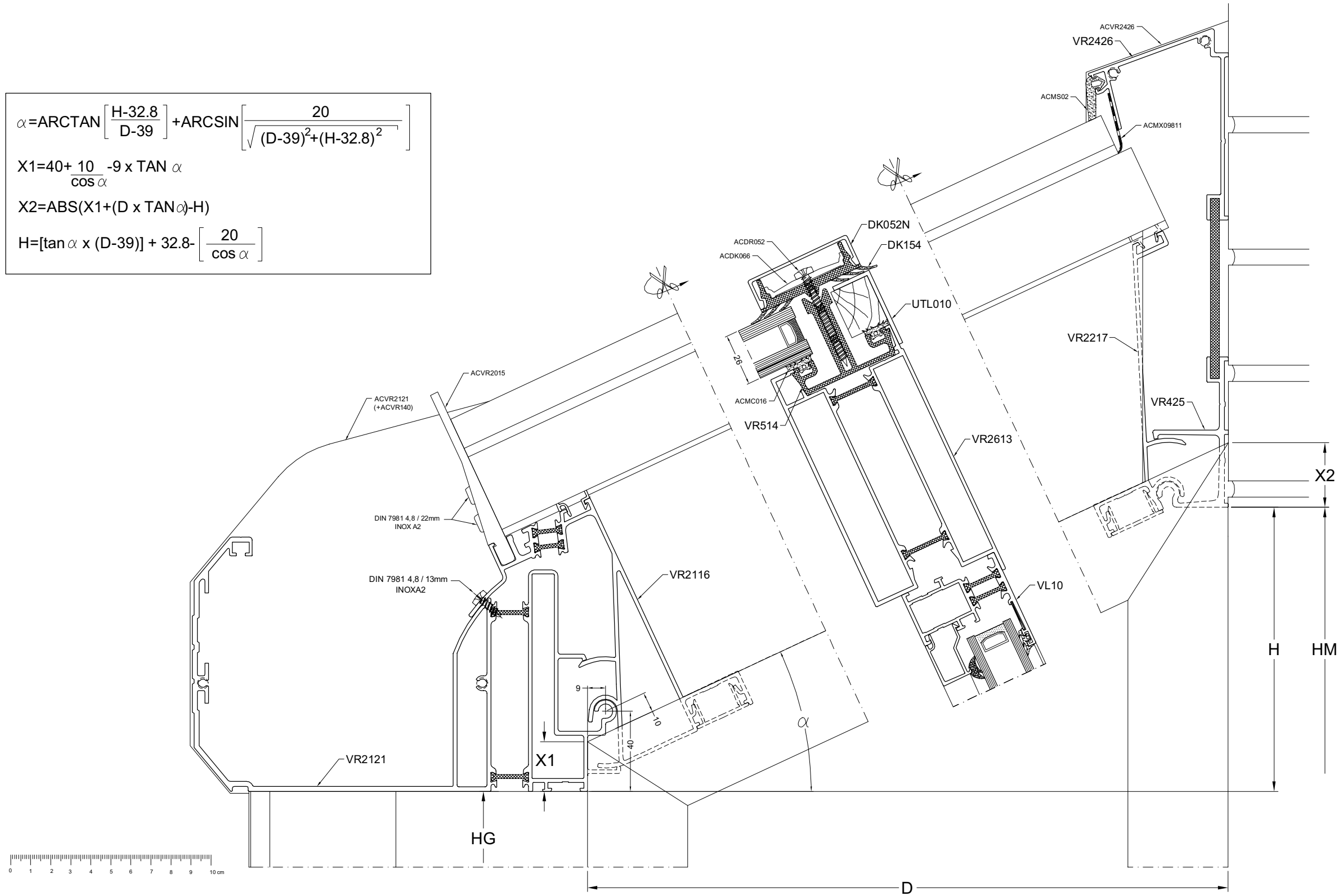
WERKTEKENINGEN - DESSINS DE CONSTRUCTION - KONSTRUKTIONZEICHNUNGEN - CONSTRUCTION DRAWINGS

$$\alpha = \text{ARCTAN} \left[\frac{H-32.8}{D-39} \right] + \text{ARCSIN} \left[\frac{20}{\sqrt{(D-39)^2 + (H-32.8)^2}} \right]$$

$$X1 = 40 + \frac{10}{\cos \alpha} - 9 \times \text{TAN } \alpha$$

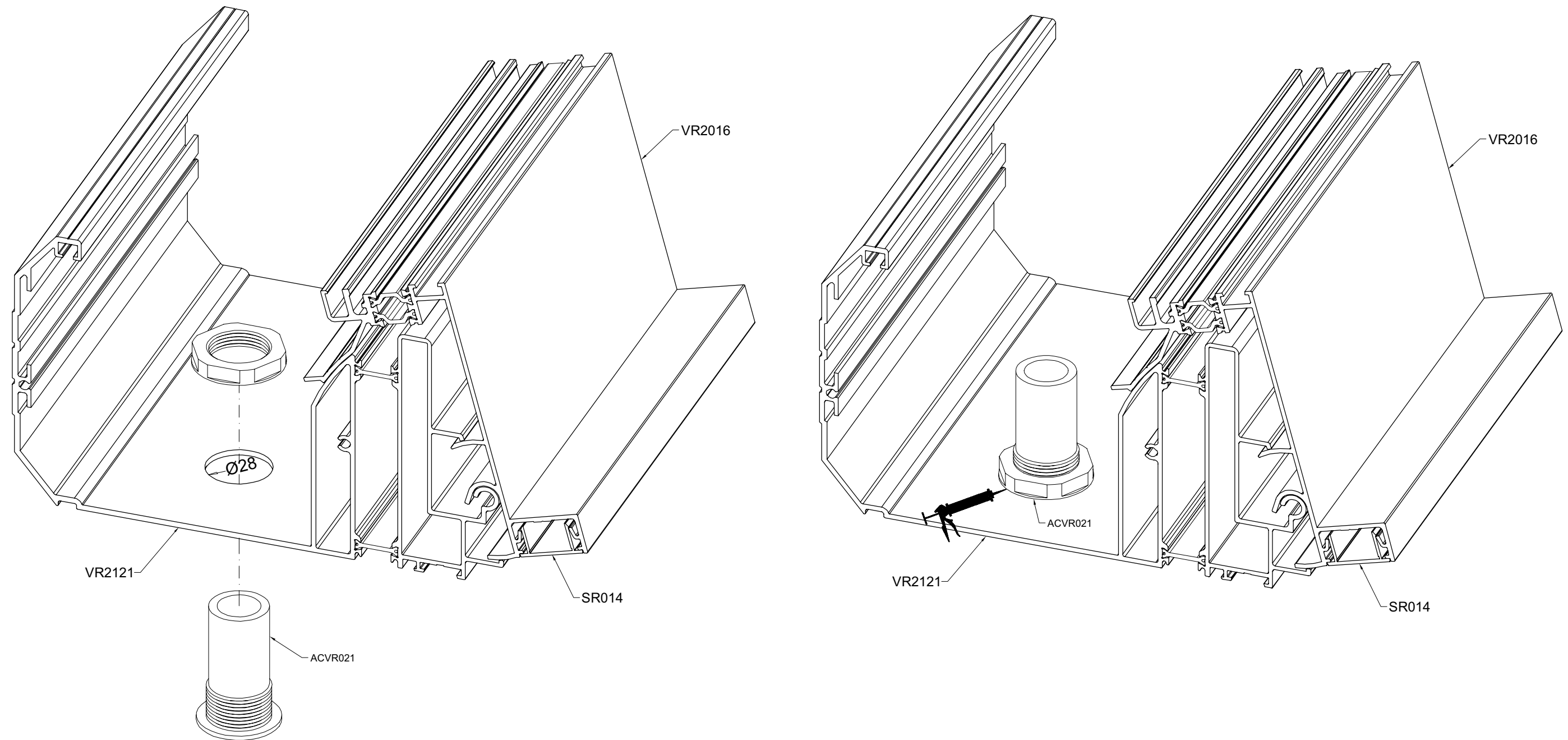
$$X2 = \text{ABS}(X1 + (D \times \text{TAN } \alpha) - H)$$

$$H = [\text{tan } \alpha \times (D-39)] + 32.8 - \left[\frac{20}{\cos \alpha} \right]$$



OVERLOOP
TROP PLEIN
UBERLAUFEN KONTROLLE
OVERFLOW CONTROL

WERKTEKENINGEN - DESSINS DE CONSTRUCTION - KONSTRUKTIONZEICHNUNGEN - CONSTRUCTION DRAWINGS



OVERLOOP

WATERAFVOER PVC
CREPINE PVC
REGENABFUR PVC
LEAF TRAP PVC

WERKTEKENINGEN - DESSINS DE CONSTRUCTION - KONSTRUKTIONZEICHNUNGEN - CONSTRUCTION DRAWINGS

