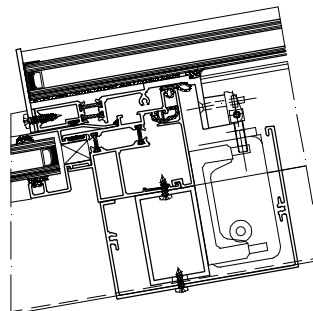


roof light

20/11/2007

DAKRAAM
TABATIÈRE
DACHFENSTER
ROOF LIGHT



DRa

PROFIELEN _____ P. 7

PROFILS
PROFILE
PROFILES

DRb

TOEBEHOREN _____ P. 15

ACCESSOIRES
ZUBEHÖRTEILE
ACCESSORIES

DRc

DOORSNEDEN _____ P. 29

COUPES
SCHNITT
SECTIONS

DRd

ALGEMENE INFORMATIE _____ P. 43

INFORMATION GENERALE
ALGEMEINE INFORMATION
GENERAL INFORMATION

DRe

ZAAGTABELLEN _____ P. 45

TABLES DE SCIAGES
ZUSCHNITT-TABELLEN
SAWING TABLES

DRf

WERKTEKENINGEN _____ P. 51

DESSINS DE CONSTRUCTION
KONSTRUKTIONZEICHNUNGEN
CONSTRUCTION DRAWINGS

AFKORTINGEN / ABBREVIATIONS / ABKURZUNGEN / ABBREVIATIONS

BR = BRUT - BRUT - ROH - BRUT

AN = GEANODISEERD - ANODISE - ELOXIERT - ANODISED

AN (■) = GELAKT - LAQUE - LACKIERT - LACQUERED -- RAL9006M

KL = STANDAARDKLEUREN - COULEURS STANDARDS - BASIS FARBEN - BASIC COLORS

GS = SPECIAAL GEMOFFELD - LAQUE SPECIAL - SPECIALFARBE - SPECIAL COLOR

Z = ZWART - NOIR - SCHWARZ - BLACK


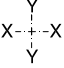
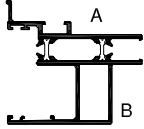
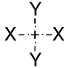
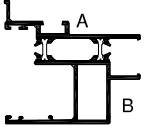
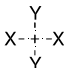
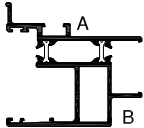
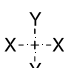

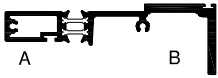
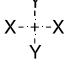
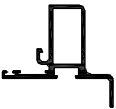
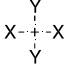


W = WIT - BLANC - WEISS - WHITE

De tekeningen die voorgesteld zijn op schaal 1:1, kunnen kleine maatafwijkingen vertonen, te wijten aan de reproductietechniek van deze catalogoog.

Les dessins représentés à l'échelle 1 peuvent avoir de légères variations dimensionnelles dues aux techniques de reproduction de ce catalogue.

Die Zeichnungen im Maßstab 1:1 können aus technischen Reproduktionsgründen leichte Messungsschwankungen darstellen.

The drawings represented on a scale 1 basis may have light dimensional variations due to the reproduction of the manual.





NUMMER NUMERO NUMBER	AFBEELDING IMAGE BILD PICTURE	BLAD PAGE SEITE PAGE	OMTREK PERIM. UMRIB PERIM. mm	MECH. MEC. MEC. mm	lx (cm4)		LENGTE LONG. LANGE LENGTH	VERP. PER EMB. PAR PACK PR.	BR	AN	KL	GS	M1
					Wx (cm3)	Wy (cm3)							
APS017	 	13	651.7	304	169.75	52.03	7	2	X	X	X	X	
					25.40	7.78							
DR010	 	7	462.3	109	20.93	20.00	4.5	2	X	X	X	X	X
					5.94	5.45							
DR011	 	8	461.9	101	20.99	20.00	4.5	2	X	X	X	X	X
					5.89	5.45							
DR012	 	8	461.9	93	21.44	20.00	4.5	2	X	X	X	X	X
					5.94	5.45							
DR013		9	205	76	-	-	4.5	4	X	X	X	X	
DR015	 	11	400.8	50	4.51	90.93	0.9 4.5	2	X	X	X	X	X
					1.71	14.20							
DR020	 	11	283.6	106	6.61	6.96	4.5	2	X	X	X	X	
					2.44	2.09							
DR040		10	122.1	44	-	-	4.5	10	X	X	X	X	
DR041		10	154.2	60	-	-	4.5	6	X	X	X	X	

BR = BRUT - BRUT - ROH - BRUT
 AN = ANODISATIE - ANODISE - ELOXIERT - ANODISED
 KL = STANDAARDKLEUREN - COULEUR STANDARD - BASIS FARBEN - BASIC COLORS
 GS = GEMOFFELD SPECIAAL - LAQUE SPECIAL - SPECIALFARBE - SPECIAL COLOR
 M1 = BICOLOR - BICOLOR - BICOLOR - BICOLOR

A = BUITEN - EXTERIEUR - AUSSEN - OUTSIDE
 B = BINNEN - INTERIEUR - INNEN - INSIDE

NUMMER NUMERO NUMBER	AFBEELDING IMAGE BILD PICTURE	BLAD PAGE SEITE PAGE	OMTREK PERIM. UMRIB PERIM. mm	MECH. MEC. MECH. MEC. mm	Ix (cm4)		Iy (cm4)		LENGTE LONG. LANGE LENGTH	VERP. PER EMB. PAR PACK PR.	BR	AN	KL	GS	M1
					Wx (cm3)	Wy (cm3)	Wx (cm3)	Wy (cm3)							
DR060		10	100.7	26	-	-	-	-	4.5	10	X	X	X	X	
DR061		10	110.2	26	-	-	-	-	4.5	10	X	X	X	X	
DR062		10	125.1	36.1	-	-	-	-	4.5	6	X	X	X	X	
DR065		9	96.4	26	-	-	-	-	4.5	10	X	X	X	X	
DR066		9	189.6	45	-	-	-	-	4.5	6	X	X	X	X	
DR067		9	163.9	50	-	-	-	-	4.5	6	X	X	X	X	
DR910		7	460	-	20.63	19.86	5.85	5.42	4.5	2	X	X	X	X	X
DR960		10	109	-	-	-	-	-	4.5	10	X	X	X	X	
UTL007		12	78.7	78.7	-	-	-	-	6	10	X	X	X	X	

BR = BRUT - BRUT - ROH - BRUT
AN = ANODISATIE - ANODISE - ELOXIERT - ANODISED
KL = STANDAARDKLEUREN - COULEUR STANDARD - BASIS FARBEN - BASIC COLORS
GS = GEMOFFELD SPECIAAL - LAQUE SPECIAL - SPECIALFARBE - SPECIAL COLOR
M1 = BICOLOR - BICOLOR - BICOLOR - BICOLOR

NUMMER NUMERO NUMBER NUMBER	AFBEELDING IMAGE BILD PICTURE	BLAD PAGE SEITE PAGE	OMTREK PERIM. UMRIB PERIM. mm	MECH. MEC. MECH. MEC. mm	lx (cm4)	ly (cm4)	LENGTE LONG. LANGE LENGTH	VERP. PER EMB. PAR PACK PR. PACK PR.	BR	AN	KL	GS	M1
					Wx (cm3)	Wy (cm3)							
UTL040		12	199.1	199.1	-	-	6	2	X	X	X	X	
VG60		9	-	-	-	-	7	20	X				
VR042		10	93.7	49	-	-	6	10	X	X	X	X	
VR043		10	151	-	-	-	7	10	X	X	X	X	

BR = BRUT - BRUT - ROH - BRUT

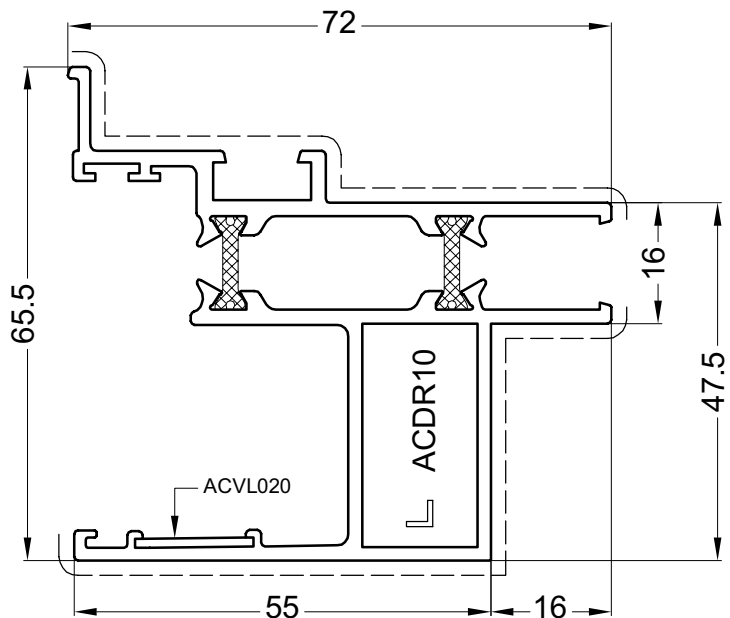
AN = ANODISATIE - ANODISE - ELOXIERT - ANODISED

KL = STANDAARDKLEUREN - COULEUR STANDARD - BASIS FARBEN - BASIC COLORS

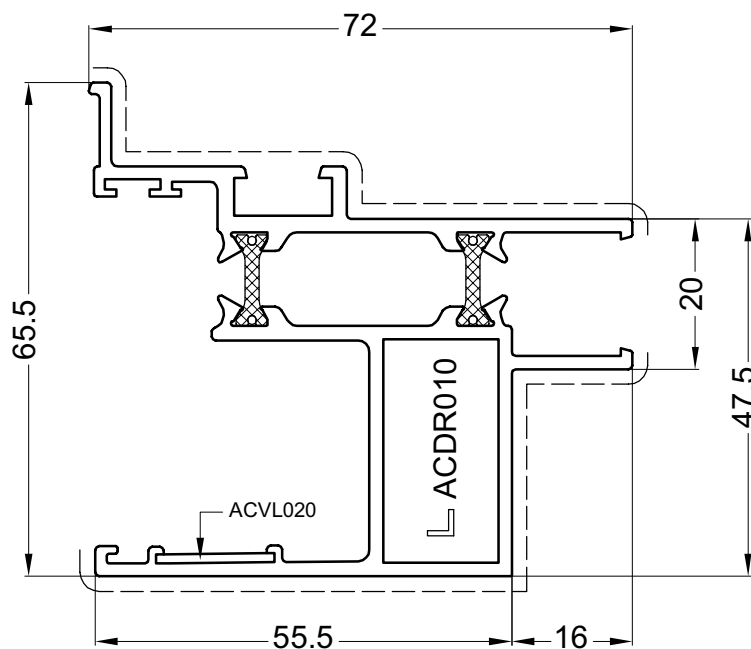
GS = GEMOFFELD SPECIAAL - LAQUE SPECIAL - SPECIALFARBE - SPECIAL COLOR

M1 = BICOLOR - BICOLOR - BICOLOR - BICOLOR

A = BUITEN - EXTERIEUR - AUSSEN - OUTSIDE
B = BINNEN - INTERIEUR - INNEN - INSIDE



DR010

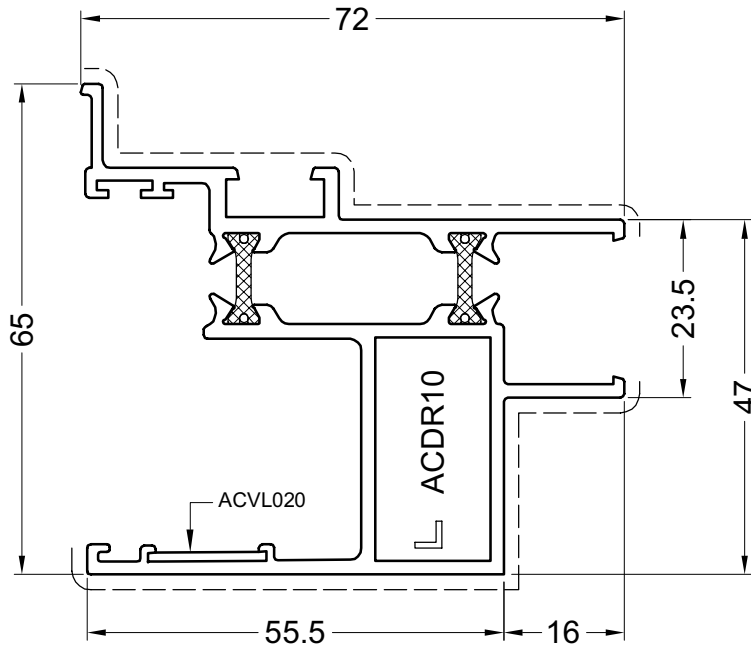


DR910

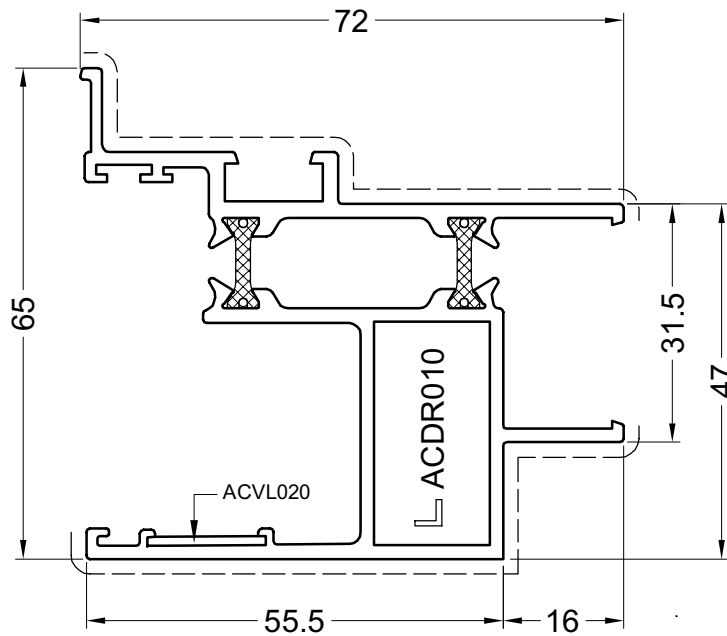
PROF01

Primaire zichtbare zijde
Face visible primaire
Primär sichtbare Seite
Primary visible side

Secundaire zichtbare zijde
Face visible secondaire
Secondär sichtbare Seite
Secondary visible side

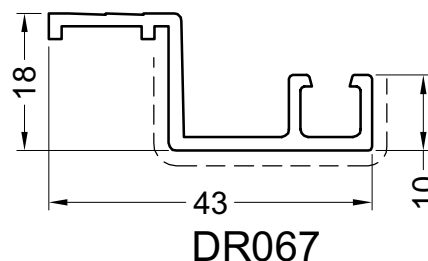
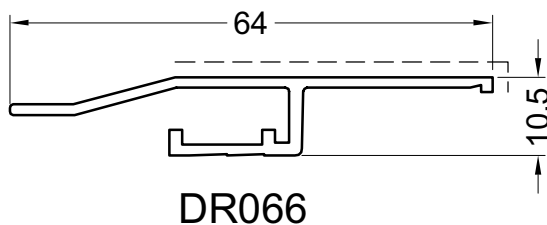
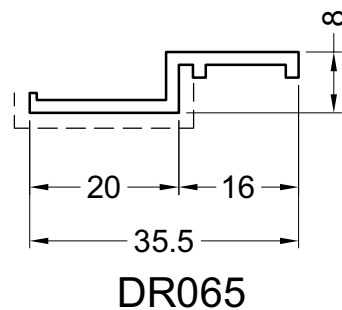
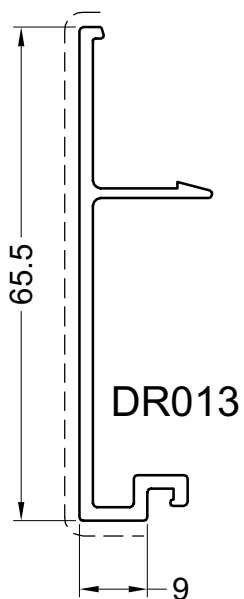


DR011



DR012

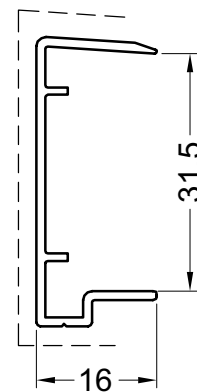
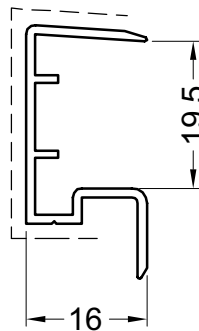
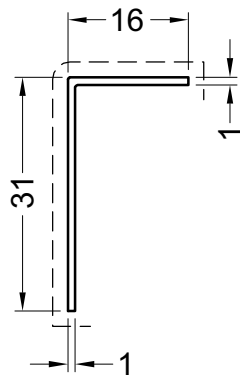
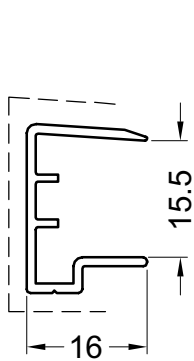
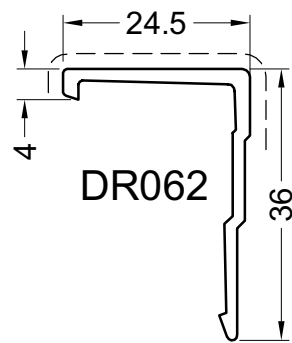
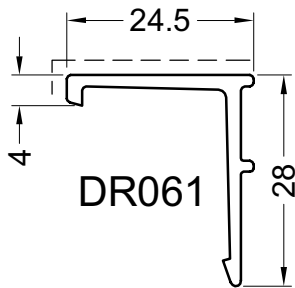
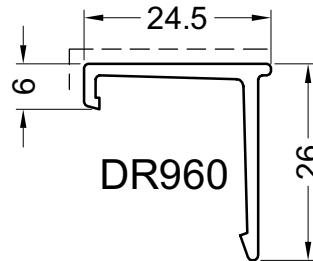
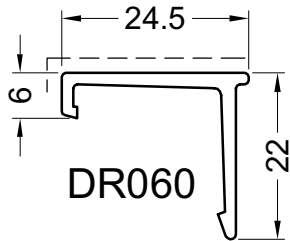
PROF02



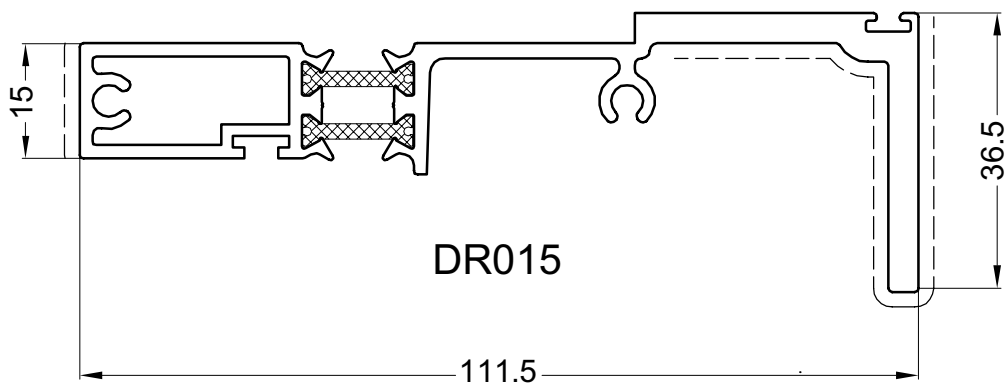
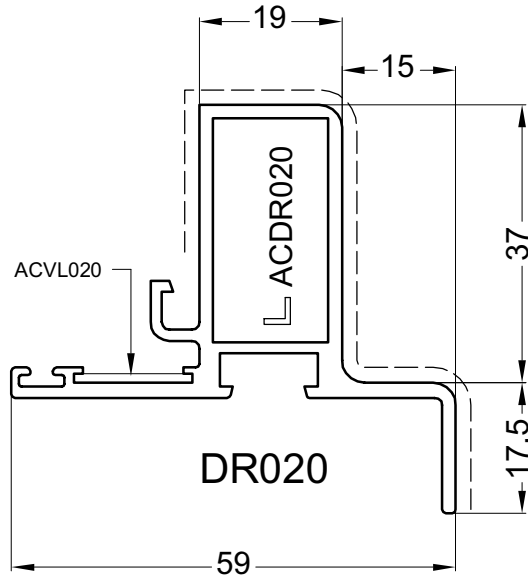
PROF03

Primaire zichtbare zijde
Face visible primaire
Primär sichtbare Seite
Primary visible side

Secundaire zichtbare zijde
Face visible secondaire
Secondär sichtbare Seite
Secondary visible side



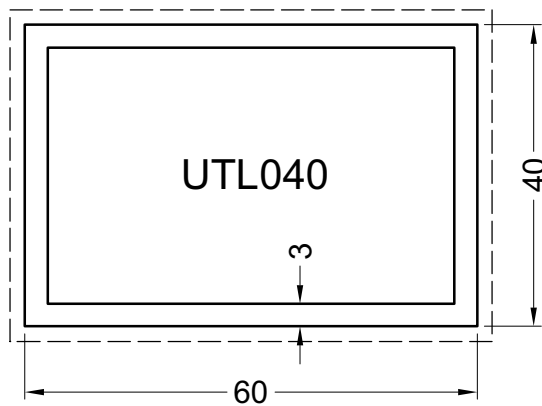
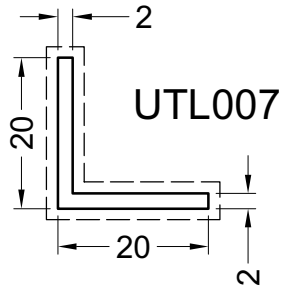
PROF04



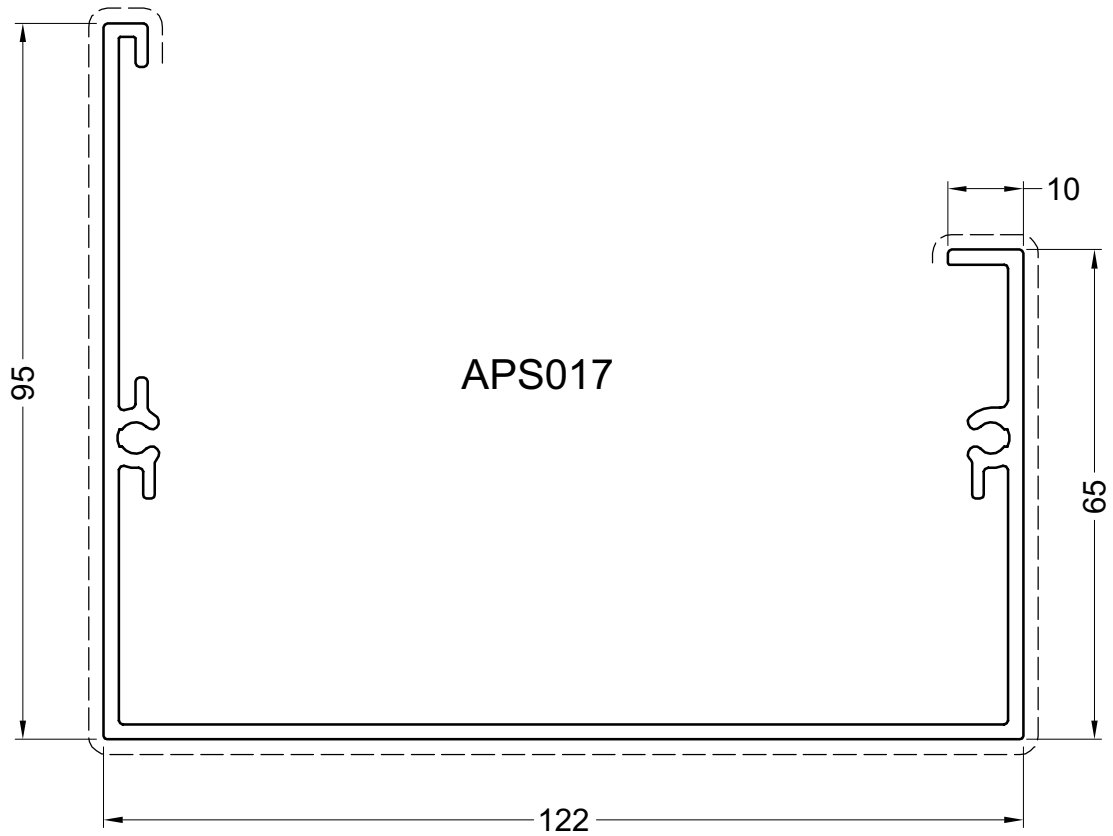
prof05

Primaire zichtbare zijde
Face visible primaire
Primär sichtbare Seite
Primary visible side

Secundaire zichtbare zijde
Face visible secondaire
Secondär sichtbare Seite
Secondary visible side



prof06








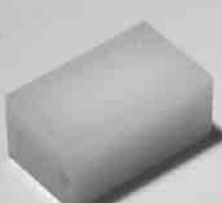
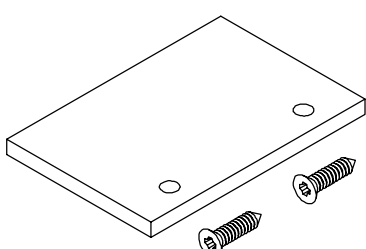
prof07

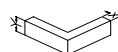
Primaire zichtbare zijde
Face visible primaire
Primär sichtbare Seite
Primary visible side



Secundaire zichtbare zijde
Face visible secondaire
Secondär sichtbare Seite
Secondary visible side

19/9/05

13

	Verp. per Emb. par Pack pr.	Einheid Unité Einheit Unit	Toepassing Application Anwendung Application	Kleur Couleur Farbe Color												
 <p>ACDR010 -Schroefhoek voor DR010-11-12-910 -Clame à visser pour DR010-11-12-910 -Eckverbinder schraubbar für DR010-11-12-910 -Square coupling joint for DR010-11-12-910</p> <p> ACDR921</p> <p>X=15mm Y=30mm</p>	1 24	Stuk Pièce Stück Pièce	DR010 DR011 DR012 DR910	<table border="1"> <tr><td>BR</td><td></td></tr> <tr><td>AN</td><td></td></tr> <tr><td>KL</td><td></td></tr> <tr><td>GS</td><td></td></tr> <tr><td>Z</td><td></td></tr> <tr><td>W</td><td></td></tr> </table>	BR		AN		KL		GS		Z		W	
BR																
AN																
KL																
GS																
Z																
W																
 <p>ACDR016 -Afstandhouder 16mm PVC -Entretoise 16mm PVC -Abstandstück 16mm PVC -Spacer 16mm PVC</p>	1	Stuk Pièce Stück Pièce	DR010 DR065	<table border="1"> <tr><td>BR</td><td></td></tr> <tr><td>AN</td><td></td></tr> <tr><td>KL</td><td></td></tr> <tr><td>GS</td><td></td></tr> <tr><td>Z</td><td></td></tr> <tr><td>W</td><td></td></tr> </table>	BR		AN		KL		GS		Z		W	
BR																
AN																
KL																
GS																
Z																
W																
 <p>ACDR020 -Schroefhoek voor DR020 -Clame à visser pour DR020 -Eckverbinder schraubbar für DR020 -Square coupling joint for DR020</p> <p> ACDR920</p> <p>X=15mm Y=30mm</p>	1 24	Stuk Pièce Stück Pièce	DR020	<table border="1"> <tr><td>BR</td><td></td></tr> <tr><td>AN</td><td></td></tr> <tr><td>KL</td><td></td></tr> <tr><td>GS</td><td></td></tr> <tr><td>Z</td><td></td></tr> <tr><td>W</td><td></td></tr> </table>	BR		AN		KL		GS		Z		W	
BR																
AN																
KL																
GS																
Z																
W																
 <p>ACDR024 -Afstandhouder 25mm PVC -Entretoise 24mm PVC -Abstandstück 24mm PVC -Spacer 24mm PVC</p>	1	Stuk Pièce Stück Pièce	DR011 DR066 DR067	<table border="1"> <tr><td>BR</td><td></td></tr> <tr><td>AN</td><td></td></tr> <tr><td>KL</td><td></td></tr> <tr><td>GS</td><td></td></tr> <tr><td>Z</td><td></td></tr> <tr><td>W</td><td></td></tr> </table>	BR		AN		KL		GS		Z		W	
BR																
AN																
KL																
GS																
Z																
W																
 <p>ACDR029 -Extra glassteun -Support de vitrage supplémentaire -Extra klotzbrücke -Extra glazing support</p>	1	Stuk Pièce Stück Pièce	DR015	<table border="1"> <tr><td>BR</td><td></td></tr> <tr><td>AN</td><td></td></tr> <tr><td>KL</td><td></td></tr> <tr><td>GS</td><td></td></tr> <tr><td>Z</td><td>X</td></tr> <tr><td>W</td><td>X</td></tr> </table>	BR		AN		KL		GS		Z	X	W	X
BR																
AN																
KL																
GS																
Z	X															
W	X															



		Verp. per Emb. par Pack pr. Pack pr.	Eenheid Unité Einheit Unit	Toepassing Application Anwendung Application	Kleur Couleur Farbe Color												
	ACDR030 -PVC eindstuk voor DR020 -PVC embout pour DR020 -PVC Endstück für DR020 -PVC sealing sill member for DR020	1	Set	DR020	<table border="1"> <tr><td>BR</td><td></td></tr> <tr><td>AN</td><td></td></tr> <tr><td>KL</td><td></td></tr> <tr><td>GS</td><td></td></tr> <tr><td>Z</td><td>X</td></tr> <tr><td>W</td><td>X</td></tr> </table>	BR		AN		KL		GS		Z	X	W	X
BR																	
AN																	
KL																	
GS																	
Z	X																
W	X																
	ACDR031 -Dopje -Bouchon -Kapsel -Cap ø10mm	1	Stuk	UTL040	<table border="1"> <tr><td>brown</td><td>X</td></tr> <tr><td>AN</td><td></td></tr> <tr><td>KL</td><td></td></tr> <tr><td>GS</td><td></td></tr> <tr><td>Z</td><td></td></tr> <tr><td>W</td><td>X</td></tr> </table>	brown	X	AN		KL		GS		Z		W	X
brown	X																
AN																	
KL																	
GS																	
Z																	
W	X																
	ACDR032 -Afstandhouder 32mm PVC -Bouchon -Abdeckkappe -Cap	1	Stuk Pièce Stück Pièce	DR012 DR065	<table border="1"> <tr><td>BR</td><td></td></tr> <tr><td>AN</td><td></td></tr> <tr><td>KL</td><td></td></tr> <tr><td>GS</td><td></td></tr> <tr><td>Z</td><td></td></tr> <tr><td>W</td><td></td></tr> </table>	BR		AN		KL		GS		Z		W	
BR																	
AN																	
KL																	
GS																	
Z																	
W																	
	ACDR040 -Scharnier -Charnière -Band -Hinge	1	Stuk Pièce Stück Pièce	DR010 DR011 DR012 DR020	<table border="1"> <tr><td>BR</td><td></td></tr> <tr><td>AN</td><td>X</td></tr> <tr><td>KL</td><td></td></tr> <tr><td>GS</td><td></td></tr> <tr><td>Z</td><td></td></tr> <tr><td>W</td><td></td></tr> </table>	BR		AN	X	KL		GS		Z		W	
BR																	
AN	X																
KL																	
GS																	
Z																	
W																	
	ACDR050 -Inox schroef DIN7981 4.8x32 -Vis en inox DIN7981 4.8x32 -Inox Schraube DIN7981 4.8x32 -Stainless steel screw DIN7981 4.8x32	200	Stuks Pièces Stücke Pièces	DR015 DR020	<table border="1"> <tr><td>BR</td><td></td></tr> <tr><td>AN</td><td></td></tr> <tr><td>KL</td><td></td></tr> <tr><td>GS</td><td></td></tr> <tr><td>Z</td><td></td></tr> <tr><td>W</td><td></td></tr> </table>	BR		AN		KL		GS		Z		W	
BR																	
AN																	
KL																	
GS																	
Z																	
W																	

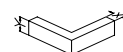
BR = BRUT - BRUT - ROH - BRUT
AN (X) = ANODISATIE - ANODISE - ELOXIERT - ANODISED
AN (■) = GELAKT - LAQUE - LACKIERT - LACQUERED -- RAL9006M
KL = STANDAARDKLEUREN - COULEUR STANDARD - BASIS FARBEN - BASIC COLORS
GS = GEMOFFELD SPECIAAL - LAQUE SPECIAL - SPECIALFARBE - SPECIAL COLOR
Z = ZWART - NOIR - SCHWARZ - BLACK
W = WIT - BLANC - WEISS - WHITE




GEREEDSCHAP - OUTILLAGE
WERKZEUG - TOOL

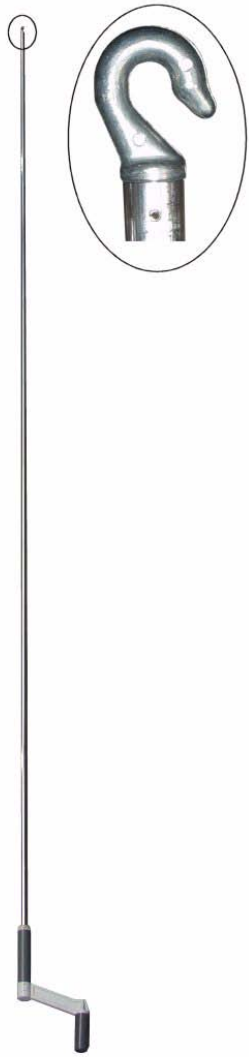

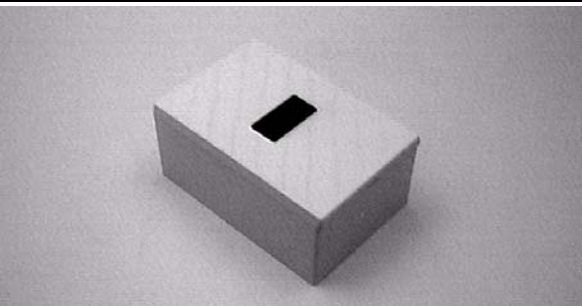


BEVESTIGING - FIXATION
BEFESTIGUNG - FIXATION



	Verp. per Emb. par Pack pr.	Einheid Unit	Toepassing Application	Kleur Couleur												
 <p>ACDR051</p> <ul style="list-style-type: none"> -Vijs DIN85 M5x10 met moer DIN934 M5 -Vis DIN85 M5x10 avec écrou DIN934 M5 -Schraube DIN85 M5x10 mit Mutter DIN934 M5 -Screw DIN85 M5x10 with bolt DIN934 M5 <p> ACDR921  DIN7982 M4x20</p>	100	Stuks Pièces Stücke Pieces	DR015 DR020	<table border="1"> <tr><td>BR</td><td></td></tr> <tr><td>AN</td><td></td></tr> <tr><td>KL</td><td></td></tr> <tr><td>GS</td><td></td></tr> <tr><td>Z</td><td></td></tr> <tr><td>W</td><td></td></tr> </table>	BR		AN		KL		GS		Z		W	
BR																
AN																
KL																
GS																
Z																
W																
 <p>ACDR052</p> <ul style="list-style-type: none"> -Inox schroef DIN7981 4.8x50 -Vis en inox DIN7981 4.8x50 -Inox Schraube DIN7981 4.8x50 -Stainless steel screw DIN7981 4.8x50 	200	Stuks Pièces Stücke Pieces	DR015 DR020	<table border="1"> <tr><td>BR</td><td></td></tr> <tr><td>AN</td><td></td></tr> <tr><td>KL</td><td></td></tr> <tr><td>GS</td><td></td></tr> <tr><td>Z</td><td></td></tr> <tr><td>W</td><td></td></tr> </table>	BR		AN		KL		GS		Z		W	
BR																
AN																
KL																
GS																
Z																
W																
 <p>ACDR133</p> <ul style="list-style-type: none"> -Rubber aanslag -Joint de frappe -Flügeldichtung -Gasket 	50	m	DR010 DR011 DR012	<table border="1"> <tr><td>BR</td><td></td></tr> <tr><td>AN</td><td></td></tr> <tr><td>KL</td><td></td></tr> <tr><td>GS</td><td></td></tr> <tr><td>Z</td><td>X</td></tr> <tr><td>W</td><td></td></tr> </table>	BR		AN		KL		GS		Z	X	W	
BR																
AN																
KL																
GS																
Z	X															
W																
 <p>ACDR610</p> <ul style="list-style-type: none"> -Spindel voor dakraam -Dispositif pour commande manuelle tabatière -Spindel für Dachfenster -Spindle for roof light <p> DIN7981</p>	1	Stuk Pièce Stück Piece	DR015	<table border="1"> <tr><td>BR</td><td></td></tr> <tr><td>AN</td><td></td></tr> <tr><td>KL</td><td></td></tr> <tr><td>GS</td><td></td></tr> <tr><td>Z</td><td></td></tr> <tr><td>W</td><td></td></tr> </table>	BR		AN		KL		GS		Z		W	
BR																
AN																
KL																
GS																
Z																
W																



	Verp. per Emb. per Pack pr. Pack pr.	Eenheid Unité Einheit Unit	Toepassing Application Anwendung Application	Kleur Couleur Farbe Color												
	1	Stuk Pièce Stück Piece	ACDR610	<table border="1"> <tr><td>BR</td><td></td></tr> <tr><td>AN</td><td></td></tr> <tr><td>KL</td><td></td></tr> <tr><td>GS</td><td></td></tr> <tr><td>Z</td><td></td></tr> <tr><td>W</td><td></td></tr> </table>	BR		AN		KL		GS		Z		W	
				BR												
AN																
KL																
GS																
Z																
W																
<p>ACDR611</p> <p>-Bedieningsstang voor ACDR610 L=2000mm -Perche de manoeuvre pour ACDR610 L=2000mm -Bedienungsstange für ACDR610 L=2000mm -Operating stick for ACDR610 L=2000mm</p> <p>ACDR611-3L</p> <p>-Bedieningsstang voor ACDR610 L=3000mm -Perche de manoeuvre pour ACDR610 L=3000mm -Bedienungsstange für ACDR610 L=3000mm -Operating stick for ACDR610 L=3000mm</p>																
	1	Stuk Pièce Stück Piece		<table border="1"> <tr><td>BR</td><td></td></tr> <tr><td>AN</td><td>X</td></tr> <tr><td>KL</td><td></td></tr> <tr><td>GS</td><td></td></tr> <tr><td>Z</td><td>X</td></tr> <tr><td>W</td><td>X</td></tr> </table>	BR		AN	X	KL		GS		Z	X	W	X
BR																
AN	X															
KL																
GS																
Z	X															
W	X															
	1	Stuk Pièce Stück Piece	ACDR633	<table border="1"> <tr><td>BR</td><td></td></tr> <tr><td>AN</td><td></td></tr> <tr><td>KL</td><td></td></tr> <tr><td>GS</td><td></td></tr> <tr><td>Z</td><td></td></tr> <tr><td>W</td><td></td></tr> </table>	BR		AN		KL		GS		Z		W	
BR																
AN																
KL																
GS																
Z																
W																

BR = BRUT - BRUT - ROH - BRUT

AN (X) = ANODISATIE - ANODISE - ELOXIERT - ANODISED

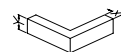
AN () = GELAKT - LAQUE - LACKIERT - LACQUERED -- RAL9006M

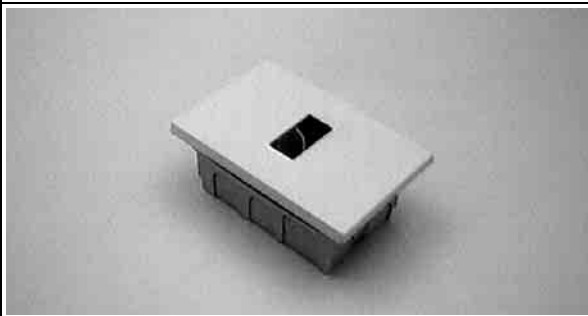
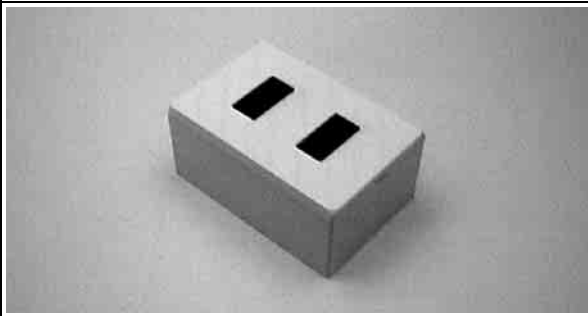
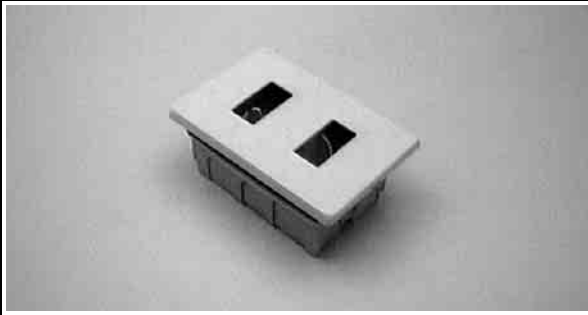
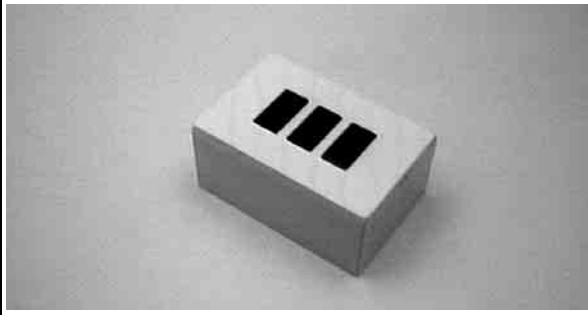
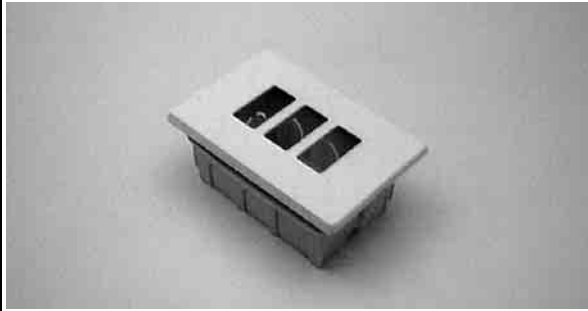
KL = STANDAARDKLEUREN - COULEUR STANDARD - BASIS FARBEN - BASIC COLORS

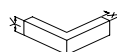
GS = GEMOFFELD SPECIAAL - LAQUE SPECIAL - SPECIALFARBE - SPECIAL COLOR






Z = ZWART - NOIR - SCHWARZ - BLACK

W = WIT - BLANC - WEISS - WHITE

GEREEDSCHAP - OUTILLAGE
WERKZEUG - TOOLBEVESTIGING - FIXATION
BEFESTIGUNG - FIXATION

	Verp. per Emb. par Pack pr.	Einheid Unité Einheit Unit	Toepassing Application Anwendung Application	Kleur Couleur Farbe Color												
 <p>ACDR630B -Inbouwdoos voor 1 schakelaar -Boîtier à encastré pour 1 interrupteur -Einbaubüchse für 1 Schalter -Recessed fitting box for 1 switch</p>	1	Stuk Pièce Stück Piece	ACDR633	<table border="1"> <tr><td>BR</td><td></td></tr> <tr><td>AN</td><td></td></tr> <tr><td>KL</td><td></td></tr> <tr><td>GS</td><td></td></tr> <tr><td>Z</td><td></td></tr> <tr><td>W</td><td></td></tr> </table>	BR		AN		KL		GS		Z		W	
BR																
AN																
KL																
GS																
Z																
W																
 <p>ACDR631A -Opbouwdoos voor 2 schakelaars -Boîtier applicable pour 2 interrupteurs -Aufbaubüchse für 2 Schalter -Surface mounting box for 2 switches</p>	1	Stuk Pièce Stück Piece	ACDR633	<table border="1"> <tr><td>BR</td><td></td></tr> <tr><td>AN</td><td></td></tr> <tr><td>KL</td><td></td></tr> <tr><td>GS</td><td></td></tr> <tr><td>Z</td><td></td></tr> <tr><td>W</td><td></td></tr> </table>	BR		AN		KL		GS		Z		W	
BR																
AN																
KL																
GS																
Z																
W																
 <p>ACDR631B -Inbouwdoos voor 2 schakelaars -Boîtier à encastré pour 2 interrupteurs -Einbaubüchse für 2 Schalter -Recessed fitting box for 2 switches</p>	1	Stuk Pièce Stück Piece	ACDR633	<table border="1"> <tr><td>BR</td><td></td></tr> <tr><td>AN</td><td></td></tr> <tr><td>KL</td><td></td></tr> <tr><td>GS</td><td></td></tr> <tr><td>Z</td><td></td></tr> <tr><td>W</td><td></td></tr> </table>	BR		AN		KL		GS		Z		W	
BR																
AN																
KL																
GS																
Z																
W																
 <p>ACDR632A -Opbouwdoos voor 3 schakelaars -Boîtier applicable pour 3 interrupteurs -Aufbaubüchse für 3 Schalter -Surface mounting box for 3 switches</p>	1	Stuk Pièce Stück Piece	ACDR633	<table border="1"> <tr><td>BR</td><td></td></tr> <tr><td>AN</td><td></td></tr> <tr><td>KL</td><td></td></tr> <tr><td>GS</td><td></td></tr> <tr><td>Z</td><td></td></tr> <tr><td>W</td><td></td></tr> </table>	BR		AN		KL		GS		Z		W	
BR																
AN																
KL																
GS																
Z																
W																
 <p>ACDR632B -Inbouwdoos voor 3 schakelaars -Boîtier à encastré pour 3 interrupteurs -Einbaubüchse für 3 Schalter -Recessed fitting box for 3 switches</p>	1	Stuk Pièce Stück Piece	ACDR633	<table border="1"> <tr><td>BR</td><td></td></tr> <tr><td>AN</td><td></td></tr> <tr><td>KL</td><td></td></tr> <tr><td>GS</td><td></td></tr> <tr><td>Z</td><td></td></tr> <tr><td>W</td><td></td></tr> </table>	BR		AN		KL		GS		Z		W	
BR																
AN																
KL																
GS																
Z																
W																



		Verp. per Emb. par Pack pr. Pack pr.	Eenheid Unité Einheit Unit	Toepassing Application Anwendung Application	Kleur Couleur Farbe Color												
	ACDR633 -Dubbele schakelaar -Interrupteur double -Doppel Schalter -Double switch MAX. 10A	1	Stuk Pièce Stück Pièce	ACDR615	<table border="1"> <tr><td>BR</td><td></td></tr> <tr><td>AN</td><td></td></tr> <tr><td>KL</td><td></td></tr> <tr><td>GS</td><td></td></tr> <tr><td>Z</td><td></td></tr> <tr><td>W</td><td></td></tr> </table>	BR		AN		KL		GS		Z		W	
BR																	
AN																	
KL																	
GS																	
Z																	
W																	
	ACDR660 -Zelfklevende alu-folie (br.=100mm) -Feuille autocollante (larg.=100mm) -Selbstklebend alu folie (br.=100mm) -Self adhesive alu foil (width=100mm)	50	m		<table border="1"> <tr><td>BR</td><td></td></tr> <tr><td>AN</td><td></td></tr> <tr><td>KL</td><td></td></tr> <tr><td>GS</td><td></td></tr> <tr><td>Z</td><td></td></tr> <tr><td>W</td><td></td></tr> </table>	BR		AN		KL		GS		Z		W	
BR																	
AN																	
KL																	
GS																	
Z																	
W																	
	ACDR722 -Relaisdoos -Boîte de relais -Relaisbox -Relaisbox	1	Stuk Pièce Stück Pièce	ACDR615	<table border="1"> <tr><td>BR</td><td></td></tr> <tr><td>AN</td><td></td></tr> <tr><td>KL</td><td></td></tr> <tr><td>GS</td><td></td></tr> <tr><td>Z</td><td></td></tr> <tr><td>W</td><td></td></tr> </table>	BR		AN		KL		GS		Z		W	
BR																	
AN																	
KL																	
GS																	
Z																	
W																	
	ACDR725 -Automaat + binnenthermostaat -Automate + thermostate à l'intérieur -Automat + innen Thermostat -Control unit + inside thermostat	1	Stuk Pièce Stück Pièce	ACDR615	<table border="1"> <tr><td>BR</td><td></td></tr> <tr><td>AN</td><td></td></tr> <tr><td>KL</td><td></td></tr> <tr><td>GS</td><td></td></tr> <tr><td>Z</td><td></td></tr> <tr><td>W</td><td></td></tr> </table>	BR		AN		KL		GS		Z		W	
BR																	
AN																	
KL																	
GS																	
Z																	
W																	
	ACDR727 -Regenmelder -Avertisseur de pluie -Regen Alarmgeber -Rain detector	1	Stuk Pièce Stück Pièce	ACDR615	<table border="1"> <tr><td>BR</td><td></td></tr> <tr><td>AN</td><td></td></tr> <tr><td>KL</td><td></td></tr> <tr><td>GS</td><td></td></tr> <tr><td>Z</td><td></td></tr> <tr><td>W</td><td></td></tr> </table>	BR		AN		KL		GS		Z		W	
BR																	
AN																	
KL																	
GS																	
Z																	
W																	

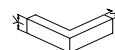
BR = BRUT - BRUT - ROH - BRUT
AN (X) = ANODISATIE - ANODISE - ELOXIERT - ANODISED
AN (■) = GELAKT - LAQUE - LACKIERT - LACQUERED -- RAL9006M
KL = STANDAARDKLEUREN - COULEUR STANDARD - BASIS FARBEN - BASIC COLORS
GS = GEMOFFELD SPECIAAL - LAQUE SPECIAL - SPECIALFARBE - SPECIAL COLOR
Z = ZWART - NOIR - SCHWARZ - BLACK
W = WIT - BLANC - WEISS - WHITE





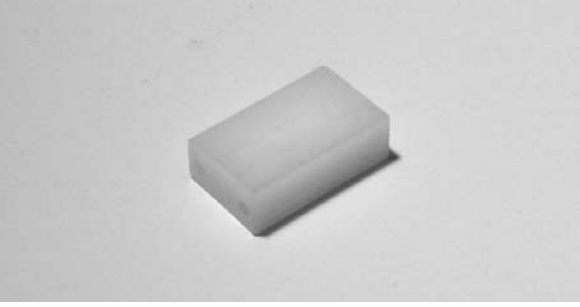


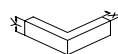
GEREEDSCHAP - OUTILLAGE
WERKZEUG - TOOL


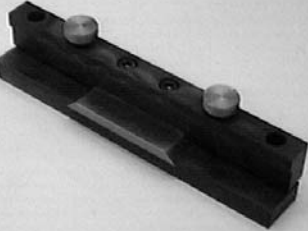
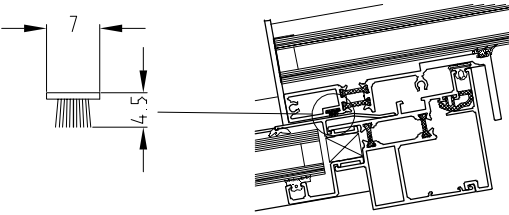
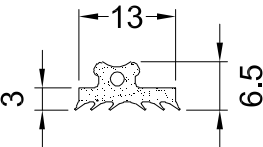



BEVESTIGING - FIXATION
BEFESTIGUNG - FIXATION



	Verp. per Emb. par Pack pr.	Einheid Unité Einheit Unit	Toepassing Application Anwendung Application	Kleur Couleur Farbe Color												
 <p>ACDR728 -Winddetector -Détecteur de vent -Lüftentaster -Wind detector</p>	1	Stuk Pièce Stück Pièce	ACDR615	<table border="1"> <tr><td>BR</td><td></td></tr> <tr><td>AN</td><td></td></tr> <tr><td>KL</td><td></td></tr> <tr><td>GS</td><td></td></tr> <tr><td>Z</td><td></td></tr> <tr><td>W</td><td></td></tr> </table>	BR		AN		KL		GS		Z		W	
BR																
AN																
KL																
GS																
Z																
W																
 <p>ACDR729 -Bevestigingsbeugel wit -Etrier de fixation blanc -Befestigungsbügel weiss -Fixing stirrup white</p>	1	Stuk Pièce Stück Pièce	ACDR728	<table border="1"> <tr><td>BR</td><td></td></tr> <tr><td>AN</td><td></td></tr> <tr><td>KL</td><td></td></tr> <tr><td>GS</td><td></td></tr> <tr><td>Z</td><td></td></tr> <tr><td>W</td><td></td></tr> </table>	BR		AN		KL		GS		Z		W	
BR																
AN																
KL																
GS																
Z																
W																
 <p>ACDR750 -Ontvanger -Récepteur -Empfänger -Receiver</p>	1	Stuk Pièce Stück Pièce	ACDR615	<table border="1"> <tr><td>BR</td><td></td></tr> <tr><td>AN</td><td></td></tr> <tr><td>KL</td><td></td></tr> <tr><td>GS</td><td></td></tr> <tr><td>Z</td><td></td></tr> <tr><td>W</td><td></td></tr> </table>	BR		AN		KL		GS		Z		W	
BR																
AN																
KL																
GS																
Z																
W																
 <p>ACDR751 -Zender -Commande à distance -Sender -Remote control</p>	1	Stuk Pièce Stück Pièce	ACDR615	<table border="1"> <tr><td>BR</td><td></td></tr> <tr><td>AN</td><td></td></tr> <tr><td>KL</td><td></td></tr> <tr><td>GS</td><td></td></tr> <tr><td>Z</td><td></td></tr> <tr><td>W</td><td></td></tr> </table>	BR		AN		KL		GS		Z		W	
BR																
AN																
KL																
GS																
Z																
W																
 <p>ACDR910 -Afstandhouder 20mm PVC -Entretoise 20mm PVC -Abstandstück 20mm PVC -Spacer 20mm PVC</p>	1	Stuk Pièce Stück Pièce	DR910 DR065	<table border="1"> <tr><td>BR</td><td></td></tr> <tr><td>AN</td><td></td></tr> <tr><td>KL</td><td></td></tr> <tr><td>GS</td><td></td></tr> <tr><td>Z</td><td></td></tr> <tr><td>W</td><td></td></tr> </table>	BR		AN		KL		GS		Z		W	
BR																
AN																
KL																
GS																
Z																
W																



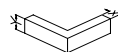
	Verp. per Emb. par Pack pr. Pack pr.	Eenheid Unité Einheit Unit	Toepassing Application Anwendung Application	Kleur Couleur Farbe Color												
	1	Stuk Pièce Stück Pièce	DR020	<table border="1"> <tr><td>BR</td><td></td></tr> <tr><td>AN</td><td></td></tr> <tr><td>KL</td><td></td></tr> <tr><td>GS</td><td></td></tr> <tr><td>Z</td><td></td></tr> <tr><td>W</td><td></td></tr> </table>	BR		AN		KL		GS		Z		W	
BR																
AN																
KL																
GS																
Z																
W																
	1	Stuk Pièce Stück Pièce	DR010 DR011 DR012	<table border="1"> <tr><td>BR</td><td></td></tr> <tr><td>AN</td><td></td></tr> <tr><td>KL</td><td></td></tr> <tr><td>GS</td><td></td></tr> <tr><td>Z</td><td></td></tr> <tr><td>W</td><td></td></tr> </table>	BR		AN		KL		GS		Z		W	
BR																
AN																
KL																
GS																
Z																
W																
	20	m	DR015	<table border="1"> <tr><td>BR</td><td></td></tr> <tr><td>AN</td><td></td></tr> <tr><td>KL</td><td></td></tr> <tr><td>GS</td><td></td></tr> <tr><td>Z</td><td></td></tr> <tr><td>W</td><td></td></tr> </table>	BR		AN		KL		GS		Z		W	
BR																
AN																
KL																
GS																
Z																
W																
	150	m	DR067	<table border="1"> <tr><td>BR</td><td></td></tr> <tr><td>AN</td><td></td></tr> <tr><td>KL</td><td></td></tr> <tr><td>GS</td><td></td></tr> <tr><td>Z</td><td>X</td></tr> <tr><td>W</td><td></td></tr> </table>	BR		AN		KL		GS		Z	X	W	
BR																
AN																
KL																
GS																
Z	X															
W																
	1	Stuk Pièce Stück Pièce		<table border="1"> <tr><td>BR</td><td></td></tr> <tr><td>AN</td><td></td></tr> <tr><td>KL</td><td></td></tr> <tr><td>GS</td><td></td></tr> <tr><td>Z</td><td></td></tr> <tr><td>W</td><td></td></tr> </table>	BR		AN		KL		GS		Z		W	
BR																
AN																
KL																
GS																
Z																
W																

BR = BRUT - BRUT - ROH - BRUT
AN (X) = ANODISATIE - ANODISE - ELOXIERT - ANODISED
AN (■) = GELAKT - LAQUE - LACKIERT - LACQUERED -- RAL9006M
KL = STANDAARDKLEUREN - COULEUR STANDARD - BASIS FARBEN - BASIC COLORS
GS = GEMOFFELD SPECIAAL - LAQUE SPECIAL - SPECIALFARBE - SPECIAL COLOR
Z = ZWART - NOIR - SCHWARZ - BLACK
W = WIT - BLANC - WEISS - WHITE

GEREEDSCHAP - OUTILLAGE
WERKZEUG - TOOL
BEVESTIGING - FIXATION
BEFESTIGUNG - FIXATION



	Verp. per Emb. par Pack pr.	Einheid Unité Einheit Unit	Toepassing Application Anwendung Application	Kleur Couleur Farbe Color												
 <p>ACMX09761 -Maxi-gloss -Maxi-gloss -Maxi-gloss -Maxi-gloss 500ml</p>	1	Stuk Pièce Stück Pièce		<table border="1"> <tr><td>BR</td><td></td></tr> <tr><td>AN</td><td></td></tr> <tr><td>KL</td><td></td></tr> <tr><td>GS</td><td></td></tr> <tr><td>Z</td><td></td></tr> <tr><td>W</td><td></td></tr> </table>	BR		AN		KL		GS		Z		W	
BR																
AN																
KL																
GS																
Z																
W																
 <p>ACMX09762 -Periodi-clean -Periodi-clean -Periodi-clean -Periodi-clean 500ml</p>	1	Stuk Pièce Stück Pièce		<table border="1"> <tr><td>BR</td><td></td></tr> <tr><td>AN</td><td></td></tr> <tr><td>KL</td><td></td></tr> <tr><td>GS</td><td></td></tr> <tr><td>Z</td><td></td></tr> <tr><td>W</td><td></td></tr> </table>	BR		AN		KL		GS		Z		W	
BR																
AN																
KL																
GS																
Z																
W																
 <p>ACMX09763 -Teflon spray -Teflon spray -Teflon spray -Teflon spray 400ml</p>	1	Stuk Pièce Stück Pièce		<table border="1"> <tr><td>BR</td><td></td></tr> <tr><td>AN</td><td></td></tr> <tr><td>KL</td><td></td></tr> <tr><td>GS</td><td></td></tr> <tr><td>Z</td><td></td></tr> <tr><td>W</td><td></td></tr> </table>	BR		AN		KL		GS		Z		W	
BR																
AN																
KL																
GS																
Z																
W																
 <p>ACMX09764 -Maxi-cleaner -Maxi-cleaner -Maxi-cleaner -Maxi-cleaner 500ml</p>	1	Stuk Pièce Stück Pièce		<table border="1"> <tr><td>BR</td><td></td></tr> <tr><td>AN</td><td></td></tr> <tr><td>KL</td><td></td></tr> <tr><td>GS</td><td></td></tr> <tr><td>Z</td><td></td></tr> <tr><td>W</td><td></td></tr> </table>	BR		AN		KL		GS		Z		W	
BR																
AN																
KL																
GS																
Z																
W																
 <p>ACMX09765 -Glue-cleaner -Glue-cleaner -Glue-cleaner -Glue-cleaner 500ml</p>	1	Stuk Pièce Stück Pièce		<table border="1"> <tr><td>BR</td><td></td></tr> <tr><td>AN</td><td></td></tr> <tr><td>KL</td><td></td></tr> <tr><td>GS</td><td></td></tr> <tr><td>Z</td><td></td></tr> <tr><td>W</td><td></td></tr> </table>	BR		AN		KL		GS		Z		W	
BR																
AN																
KL																
GS																
Z																
W																



		Verp. per Emb. par Pack pr. Pack pr.	Eenheid Unité Einheit Unit	Toepassing Application Anwendung Application	Kleur Couleur Farbe Color												
	ACMX09766 -Surface activator -Surface activator -Surface activator -Surface activator 1l	1	Stuk Pièce Stück Pièce		<table border="1"> <tr><td>BR</td><td></td></tr> <tr><td>AN</td><td></td></tr> <tr><td>KL</td><td></td></tr> <tr><td>GS</td><td></td></tr> <tr><td>Z</td><td></td></tr> <tr><td>W</td><td></td></tr> </table>	BR		AN		KL		GS		Z		W	
BR																	
AN																	
KL																	
GS																	
Z																	
W																	
	ACMX09767 -Anti-stone opgepast voor natuursteen en metselwerk attention pour pierre de taille et maçonnerie achtung für Naturstein und Mauerwerk attention for natural stone and bricklaying 500ml	1	Stuk Pièce Stück Pièce		<table border="1"> <tr><td>BR</td><td></td></tr> <tr><td>AN</td><td></td></tr> <tr><td>KL</td><td></td></tr> <tr><td>GS</td><td></td></tr> <tr><td>Z</td><td></td></tr> <tr><td>W</td><td></td></tr> </table>	BR		AN		KL		GS		Z		W	
BR																	
AN																	
KL																	
GS																	
Z																	
W																	
	ACMX09770 -Rol andywrap 100mm -Rouleau andywrap 100mm -Rolle andywrap 100mm -Roll andywrap 100mm	150	m		<table border="1"> <tr><td>BR</td><td></td></tr> <tr><td>AN</td><td></td></tr> <tr><td>KL</td><td></td></tr> <tr><td>GS</td><td></td></tr> <tr><td>Z</td><td></td></tr> <tr><td>W</td><td></td></tr> </table>	BR		AN		KL		GS		Z		W	
BR																	
AN																	
KL																	
GS																	
Z																	
W																	
	ACMX09775 -Houder andywrap -Manche andywrap -Halter andywrap -Grip andywrap	1	Stuk Pièce Stück Pièce		<table border="1"> <tr><td>BR</td><td></td></tr> <tr><td>AN</td><td></td></tr> <tr><td>KL</td><td></td></tr> <tr><td>GS</td><td></td></tr> <tr><td>Z</td><td></td></tr> <tr><td>W</td><td></td></tr> </table>	BR		AN		KL		GS		Z		W	
BR																	
AN																	
KL																	
GS																	
Z																	
W																	
	ACMX09801 -Beschermtape 50mm(500m) -Tape de protection 50mm(500m) -Schutz Klebeband 50mm(500m) -Protective tape 50mm(500m)	1	Stuk Pièce Stück Pièce		<table border="1"> <tr><td>BR</td><td></td></tr> <tr><td>AN</td><td></td></tr> <tr><td>KL</td><td></td></tr> <tr><td>GS</td><td></td></tr> <tr><td>Z</td><td></td></tr> <tr><td>W</td><td></td></tr> </table>	BR		AN		KL		GS		Z		W	
BR																	
AN																	
KL																	
GS																	
Z																	
W																	

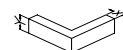
BR = BRUT - BRUT - ROH - BRUT
AN (X) = ANODISATIE - ANODISE - ELOXIERT - ANODISED
AN (■) = GELAKT - LAQUE - LACKIERT - LACQUERED -- RAL9006M
KL = STANDAARDKLEUREN - COULEUR STANDARD - BASIS FARBEN - BASIC COLORS
GS = GEMOFFELD SPECIAAL - LAQUE SPECIAL - SPECIALFARBE - SPECIAL COLOR
Z = ZWART - NOIR - SCHWARZ - BLACK
W = WIT - BLANC - WEISS - WHITE




GEREEDSCHAP - OUTILLAGE
WERKZEUG - TOOL








BEVESTIGING - FIXATION
BEFESTIGUNG - FIXATION



	Verp. per Emb. par Pack pr.	Einheid Unit	Toepassing Application	Kleur Couleur												
 <p>ACMX09802</p> <ul style="list-style-type: none"> -Beschermtape 70mm(500m) -Tape de protection 70mm(500m) -Schutz Klebeband 70mm(500m) -Protective tape 70mm(500m) 	1	Stuk Pièce Stück Piece		<table border="1"> <tr><td>BR</td><td></td></tr> <tr><td>AN</td><td></td></tr> <tr><td>KL</td><td></td></tr> <tr><td>GS</td><td></td></tr> <tr><td>Z</td><td></td></tr> <tr><td>W</td><td></td></tr> </table>	BR		AN		KL		GS		Z		W	
BR																
AN																
KL																
GS																
Z																
W																
 <p>ACMX09803</p> <ul style="list-style-type: none"> -Beschermtape 100mm(500m) -Tape de protection 100mm(500m) -Schutz Klebeband 100mm(500m) -Protective tape 100mm(500m) 	1	Stuk Pièce Stück Piece		<table border="1"> <tr><td>BR</td><td></td></tr> <tr><td>AN</td><td></td></tr> <tr><td>KL</td><td></td></tr> <tr><td>GS</td><td></td></tr> <tr><td>Z</td><td></td></tr> <tr><td>W</td><td></td></tr> </table>	BR		AN		KL		GS		Z		W	
BR																
AN																
KL																
GS																
Z																
W																
 <p>ACMX09804</p> <ul style="list-style-type: none"> -Beschermtape 35mm(500m) -Tape de protection 35mm(500m) -Schutz Klebeband 35mm(500m) -Protective tape 35mm(500m) 	1	Stuk Pièce Stück Piece		<table border="1"> <tr><td>BR</td><td></td></tr> <tr><td>AN</td><td></td></tr> <tr><td>KL</td><td></td></tr> <tr><td>GS</td><td></td></tr> <tr><td>Z</td><td></td></tr> <tr><td>W</td><td></td></tr> </table>	BR		AN		KL		GS		Z		W	
BR																
AN																
KL																
GS																
Z																
W																
 <p>ACMX09830</p> <ul style="list-style-type: none"> -Kleefstof voor EPDM-rubbers -Colle pour EPDM-caoutchouc -Dichtmasse + Klebestoff EPDM-Gummi -Gum for EPDM-rubber 	1	Stuk Pièce Stück Piece		<table border="1"> <tr><td>BR</td><td></td></tr> <tr><td>AN</td><td></td></tr> <tr><td>KL</td><td></td></tr> <tr><td>GS</td><td></td></tr> <tr><td>Z</td><td>X</td></tr> <tr><td>W</td><td></td></tr> </table>	BR		AN		KL		GS		Z	X	W	
BR																
AN																
KL																
GS																
Z	X															
W																
 <p>ACUN020</p> <ul style="list-style-type: none"> -Klembaar verstekhoekje -Equerre avec fonction de serrage -Eckverbindung mit sperrfunktion -Alignment corner with locking function 	10	Stuk Pièce Stück Piece	DR010 DR011 DR012 DR020	<table border="1"> <tr><td>BR</td><td></td></tr> <tr><td>AN</td><td></td></tr> <tr><td>KL</td><td></td></tr> <tr><td>GS</td><td></td></tr> <tr><td>Z</td><td></td></tr> <tr><td>W</td><td></td></tr> </table>	BR		AN		KL		GS		Z		W	
BR																
AN																
KL																
GS																
Z																
W																



		Verp. per Emb. par Pack pr. Pack pr.	Eenheid Unité Einheit Unit	Toepassing Application Anwendung Application	Kleur Couleur Farbe Color												
	ACVG31 -Beglazingsrubber binnen -Joint de vitrage intérieur -Glasanlage Dichtung -Glazing gasket inside	200	m	DR020	<table border="1"> <tr><td>BR</td><td></td></tr> <tr><td>AN</td><td></td></tr> <tr><td>KL</td><td></td></tr> <tr><td>GS</td><td></td></tr> <tr><td>Z</td><td></td></tr> <tr><td>W</td><td></td></tr> </table>	BR		AN		KL		GS		Z		W	
BR																	
AN																	
KL																	
GS																	
Z																	
W																	
	ACVG31N -Beglazingsrubber binnen ronddraaiend -Joint de vitrage intérieur tournant -Glasanlage Dichtung herumdrehend -Glazing gasket inside rotated	200	m	DR020	<table border="1"> <tr><td>BR</td><td></td></tr> <tr><td>AN</td><td></td></tr> <tr><td>KL</td><td></td></tr> <tr><td>GS</td><td></td></tr> <tr><td>Z</td><td></td></tr> <tr><td>W</td><td></td></tr> </table>	BR		AN		KL		GS		Z		W	
BR																	
AN																	
KL																	
GS																	
Z																	
W																	
	ACVG32 -Beglazingsrubber 3mm -Joint de vitrage 3mm -Glasdichtung 3mm -Glazing gasket 3mm	100	m	DR060 DR061 DR062	<table border="1"> <tr><td>BR</td><td></td></tr> <tr><td>AN</td><td></td></tr> <tr><td>KL</td><td></td></tr> <tr><td>GS</td><td></td></tr> <tr><td>Z</td><td></td></tr> <tr><td>W</td><td></td></tr> </table>	BR		AN		KL		GS		Z		W	
BR																	
AN																	
KL																	
GS																	
Z																	
W																	
	ACVG32N -Beglazingsrubber 3mm ronddraaiend -Joint de vitrage 3mm tournant -Glasdichtung 3mm herumdrehend -Glazing gasket 3mm rotated	100	m	DR060 DR061 DR062	<table border="1"> <tr><td>BR</td><td></td></tr> <tr><td>AN</td><td></td></tr> <tr><td>KL</td><td></td></tr> <tr><td>GS</td><td></td></tr> <tr><td>Z</td><td></td></tr> <tr><td>W</td><td></td></tr> </table>	BR		AN		KL		GS		Z		W	
BR																	
AN																	
KL																	
GS																	
Z																	
W																	
	ACVG33 -Beglazingsrubber 4mm -Joint de vitrage 4mm -Glasdichtung 4mm -Glazing gasket 4mm	100	m	DR060 DR061 DR062	<table border="1"> <tr><td>BR</td><td></td></tr> <tr><td>AN</td><td></td></tr> <tr><td>KL</td><td></td></tr> <tr><td>GS</td><td></td></tr> <tr><td>Z</td><td></td></tr> <tr><td>W</td><td></td></tr> </table>	BR		AN		KL		GS		Z		W	
BR																	
AN																	
KL																	
GS																	
Z																	
W																	

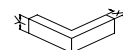
BR = BRUT - BRUT - ROH - BRUT
 AN (X) = ANODISATIE - ANODISE - ELOXIERT - ANODISED
 AN (■) = GELAKT - LAQUE - LACKIERT - LACQUERED -- RAL9006M
 KL = STANDAARDKLEUREN - COULEUR STANDARD - BASIS FARBEN - BASIC COLORS
 GS = GEMOFFELD SPECIAAL - LAQUE SPECIAL - SPECIALFARBE - SPECIAL COLOR
 Z = ZWART - NOIR - SCHWARZ - BLACK
 W = WIT - BLANC - WEISS - WHITE




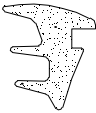



GEREEDSCHAP - OUTILLAGE
 WERKZEUG - TOOL



BEVESTIGING - FIXATION
 BEFESTIGUNG - FIXATION



		Verp. per Emb. par Pack pr.	Einheid Unité Unit	Toepassing Application Anwendung Application	Kleur Couleur Farbe Color												
	ACVG33N -Beglazingsrubber 4mm ronddraaiend -Joint de vitrage 4mm tournant -Glasdichtung 4mm herumdrehend -Glazing gasket 4mm rotated	100	m	DR060 DR061 DR062	<table border="1"> <tr><td>BR</td><td></td></tr> <tr><td>AN</td><td></td></tr> <tr><td>KL</td><td></td></tr> <tr><td>GS</td><td></td></tr> <tr><td>Z</td><td></td></tr> <tr><td>W</td><td></td></tr> </table>	BR		AN		KL		GS		Z		W	
BR																	
AN																	
KL																	
GS																	
Z																	
W																	
	ACVG34 -Beglazingsrubber 5mm -Joint de vitrage 5mm -Glasdichtung 5mm -Glazing gasket 5mm	100	m	DR060 DR061 DR062	<table border="1"> <tr><td>BR</td><td></td></tr> <tr><td>AN</td><td></td></tr> <tr><td>KL</td><td></td></tr> <tr><td>GS</td><td></td></tr> <tr><td>Z</td><td></td></tr> <tr><td>W</td><td></td></tr> </table>	BR		AN		KL		GS		Z		W	
BR																	
AN																	
KL																	
GS																	
Z																	
W																	
	ACVG34N -Beglazingsrubber 5mm ronddraaiend -Joint de vitrage 5mm tournant -Glasdichtung 5mm herumdrehend -Glazing gasket 5mm rotated	100	m	DR060 DR061 DR062	<table border="1"> <tr><td>BR</td><td></td></tr> <tr><td>AN</td><td></td></tr> <tr><td>KL</td><td></td></tr> <tr><td>GS</td><td></td></tr> <tr><td>Z</td><td></td></tr> <tr><td>W</td><td></td></tr> </table>	BR		AN		KL		GS		Z		W	
BR																	
AN																	
KL																	
GS																	
Z																	
W																	
	ACVG340 -Beglazingsrubber 6mm -Joint de vitrage 6mm -Glasdichtung 6mm -Glazing gasket 6mm	200	m	DR060 DR061 DR062	<table border="1"> <tr><td>BR</td><td></td></tr> <tr><td>AN</td><td></td></tr> <tr><td>KL</td><td></td></tr> <tr><td>GS</td><td></td></tr> <tr><td>Z</td><td></td></tr> <tr><td>W</td><td></td></tr> </table>	BR		AN		KL		GS		Z		W	
BR																	
AN																	
KL																	
GS																	
Z																	
W																	
	ACVG340N -Beglazingsrubber 6mm ronddraaiend -Joint de vitrage 6mm tournant -Glasdichtung 6mm herumdrehend -Glazing gasket 6mm rotated	100	m	DR060 DR061 DR062	<table border="1"> <tr><td>BR</td><td></td></tr> <tr><td>AN</td><td></td></tr> <tr><td>KL</td><td></td></tr> <tr><td>GS</td><td></td></tr> <tr><td>Z</td><td></td></tr> <tr><td>W</td><td></td></tr> </table>	BR		AN		KL		GS		Z		W	
BR																	
AN																	
KL																	
GS																	
Z																	
W																	

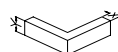
BR = BRUT - BRUT - ROH - BRUT
 AN (X) = ANODISATIE - ANODISE - ELOXIERT - ANODISED
 AN (■) = GELAKT - LAQUE - LACKIERT - LACQUERED -- RAL9006M
 KL = STANDAARDKLEUREN - COULEUR STANDARD - BASIS FARBEN - BASIC COLORS
 GS = GEMOFFELD SPECIAAL - LAQUE SPECIAL - SPECIALFARBE - SPECIAL COLOR
 Z = ZWART - NOIR - SCHWARZ - BLACK
 W = WIT - BLANC - WEISS - WHITE



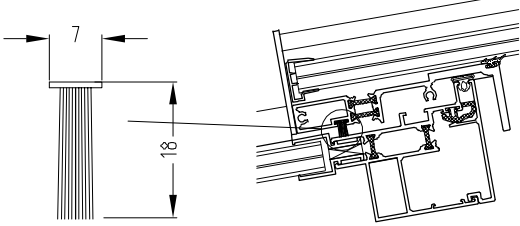


GEREEDSCHAP - OUTILLAGE
WERKZEUG - TOOL





BEVESTIGING - FIXATION
BEFESTIGUNG - FIXATION



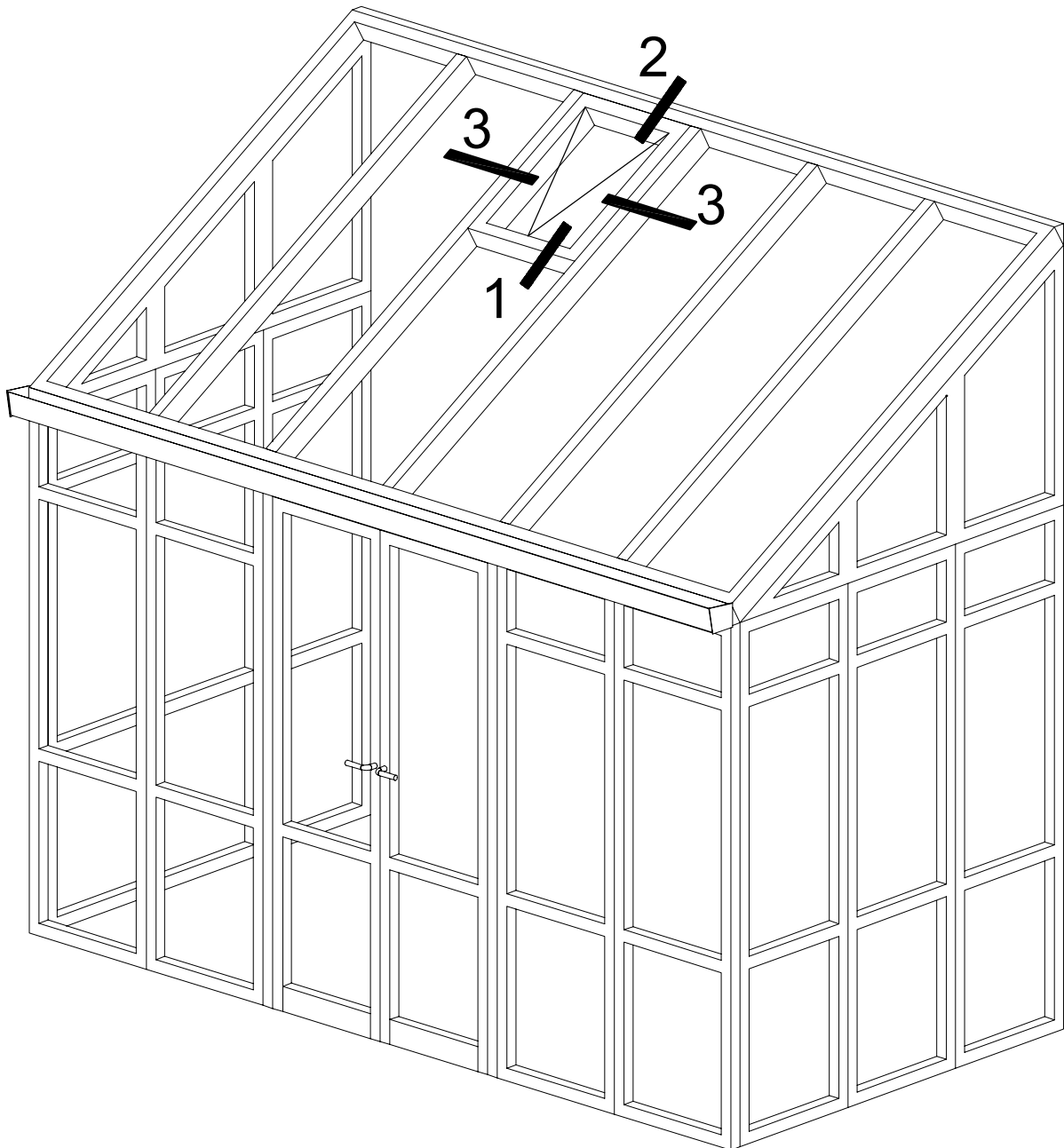
		Verp. per Emb. par Pack pr. Pack pr.	Eenheid Unité Einheit Unit	Toepassing Application Anwendung Application	Kleur Couleur Farbe Color												
	<p>ACVL020</p> <p>-Inox verstekhoekje -Equerre de jonction en inox -Inox Eckverstärkung -Stainless steel framing square</p>	1	Stuk Pièce Stück Pièce	DR010 DR011 DR012 DR020	<table border="1"> <tr><td>BR</td><td></td></tr> <tr><td>AN</td><td></td></tr> <tr><td>KL</td><td></td></tr> <tr><td>GS</td><td></td></tr> <tr><td>Z</td><td></td></tr> <tr><td>W</td><td></td></tr> </table>	BR		AN		KL		GS		Z		W	
BR																	
AN																	
KL																	
GS																	
Z																	
W																	
	<p>ACVL020B</p> <p>-Verstekhoekje in kunststof -Equerre de jonction en plastique -Eckverstärkung in plastik -Framing square in plastic</p>	1	Stuk Pièce Stück Pièce	DR010 DR011 DR012 DR020	<table border="1"> <tr><td>BR</td><td></td></tr> <tr><td>AN</td><td></td></tr> <tr><td>KL</td><td></td></tr> <tr><td>GS</td><td></td></tr> <tr><td>Z</td><td>X</td></tr> <tr><td>W</td><td></td></tr> </table>	BR		AN		KL		GS		Z	X	W	
BR																	
AN																	
KL																	
GS																	
Z	X																
W																	
	<p>ACVS012-18</p> <p>-Dichtingsborstel voor polycarbonaat -Brosse d'étanchéité pour polycarbonate -Dichtingsbürste für Polycarbonat -Weatherstrip for polycarbonat</p>	25	m	DR015	<table border="1"> <tr><td>BR</td><td></td></tr> <tr><td>AN</td><td></td></tr> <tr><td>KL</td><td></td></tr> <tr><td>GS</td><td></td></tr> <tr><td>Z</td><td></td></tr> <tr><td>W</td><td></td></tr> </table>	BR		AN		KL		GS		Z		W	
BR																	
AN																	
KL																	
GS																	
Z																	
W																	

BR = BRUT - BRUT - ROH - BRUT
 AN (X) = ANODISATIE - ANODISE - ELOXIERT - ANODISED
 AN (■) = GELAKT - LAQUE - LACKIERT - LACQUERED -- RAL9006M
 KL = STANDAARDKLEUREN - COULEUR STANDARD - BASIS FARBEN - BASIC COLORS
 GS = GEMOFFELD SPECIAAL - LAQUE SPECIAL - SPECIALFARBE - SPECIAL COLOR
 Z = ZWART - NOIR - SCHWARZ - BLACK
 W = WIT - BLANC - WEISS - WHITE

 GEREEDSCHAP - OUTILLAGE
 WERKZEUG - TOOL
 BEVESTIGING - FIXATION
 BEFESTIGUNG - FIXATION



DOORSNEDE - COUPE - SCHNITT - SECTION

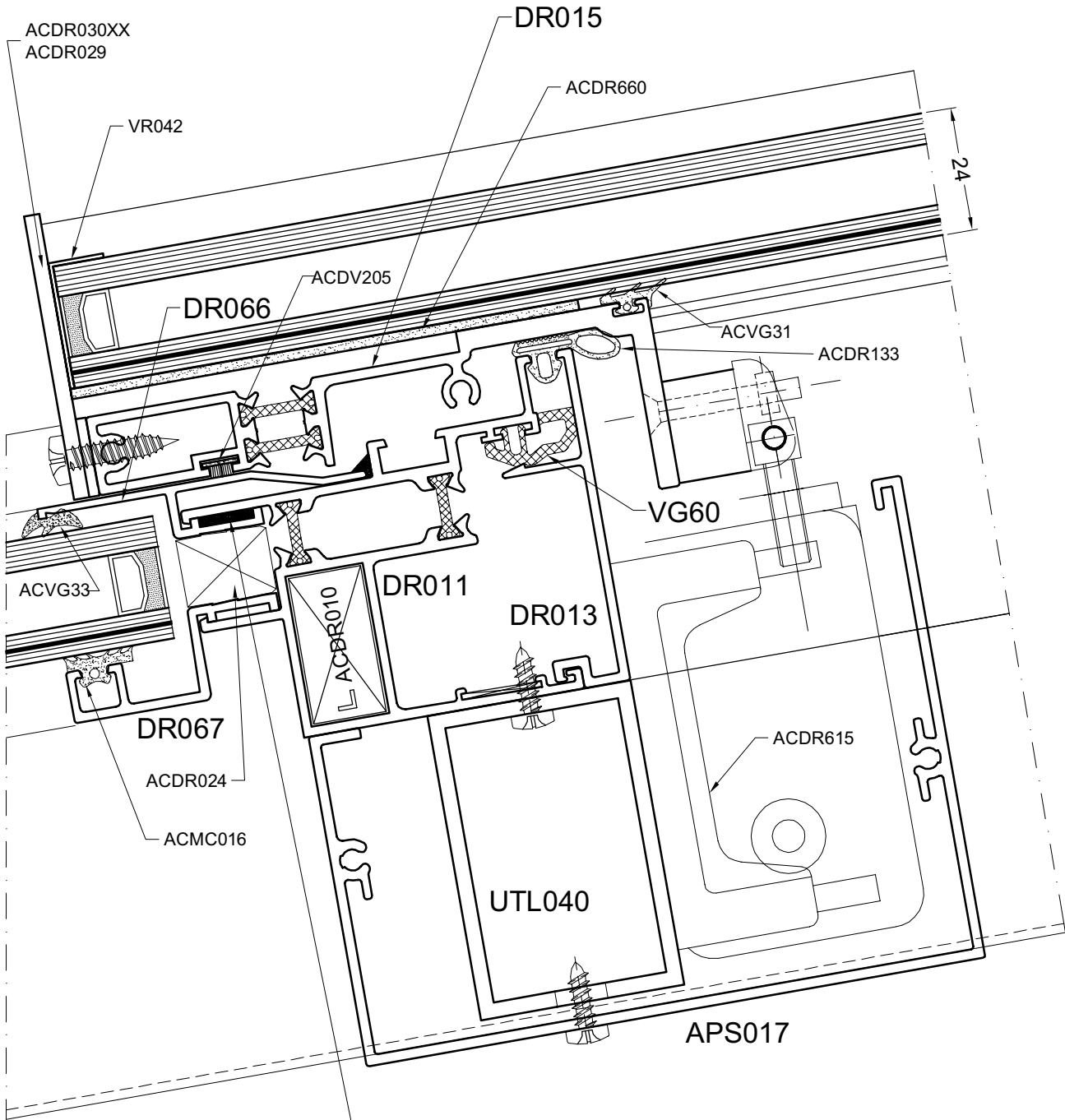


Maximale vleugelafmetingen Dimension maximum par vantail Maximal Flügelmassen Maximum dimension of the vent	Polycarbonaat Polycarbonate Polycarbonat Polycarbonatę	Glas Vitrage Verglazung Glass
	Bv= 1.25m Hv= 1.3m	Bv= 0.9m Hv= 1m

doortyp

1A

DOORSNEDE - COUPE - SCHNITT - SECTION



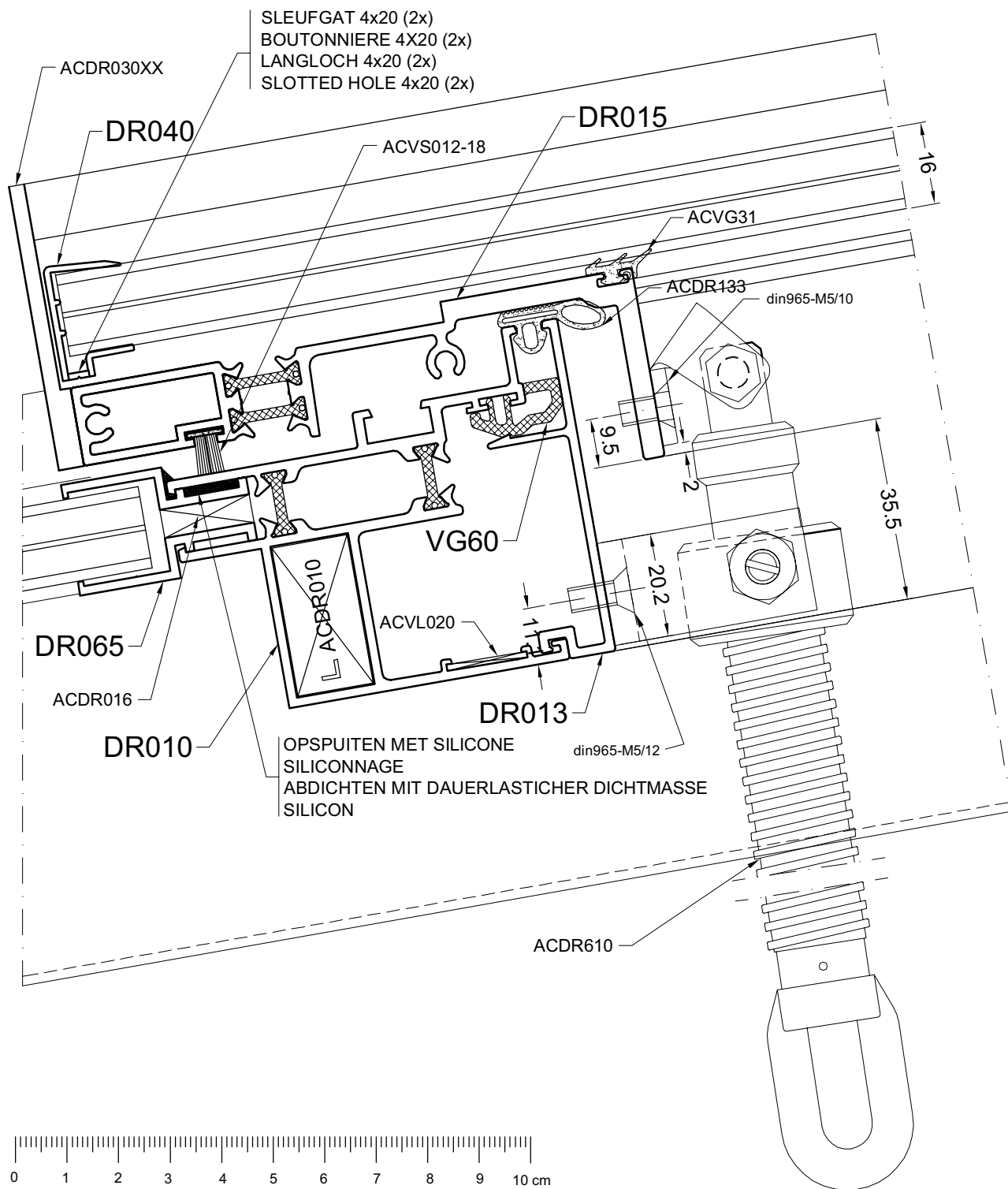
OPSPUITEN MET SILICONE
SILICONNAGE
ABDICHTEN MIT DAUERLASTICHER DICHTMASSE
SILICON



DOOR1A

1B

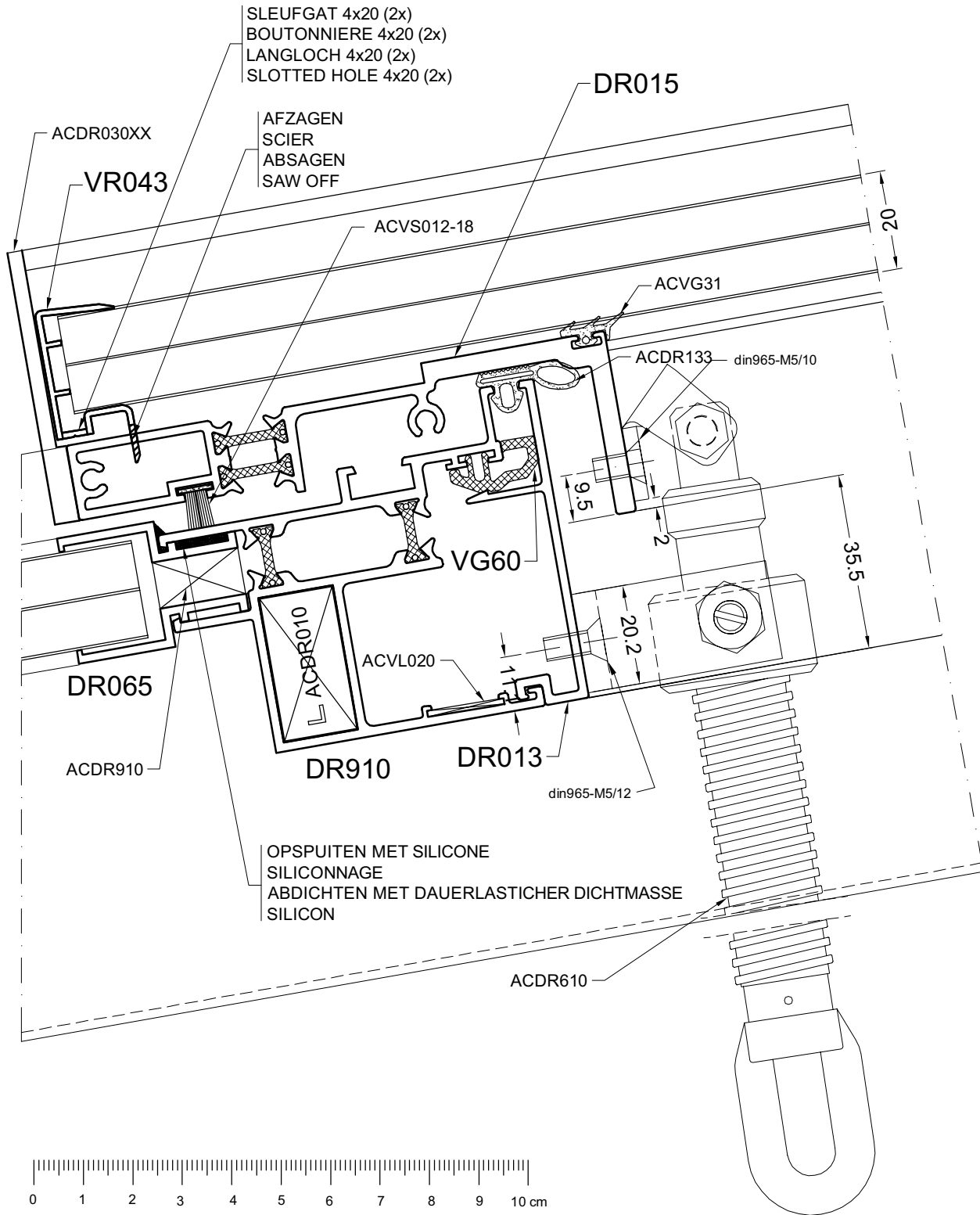
DOORSNEDE - COUPE - SCHNITT - SECTION



door1b

1C

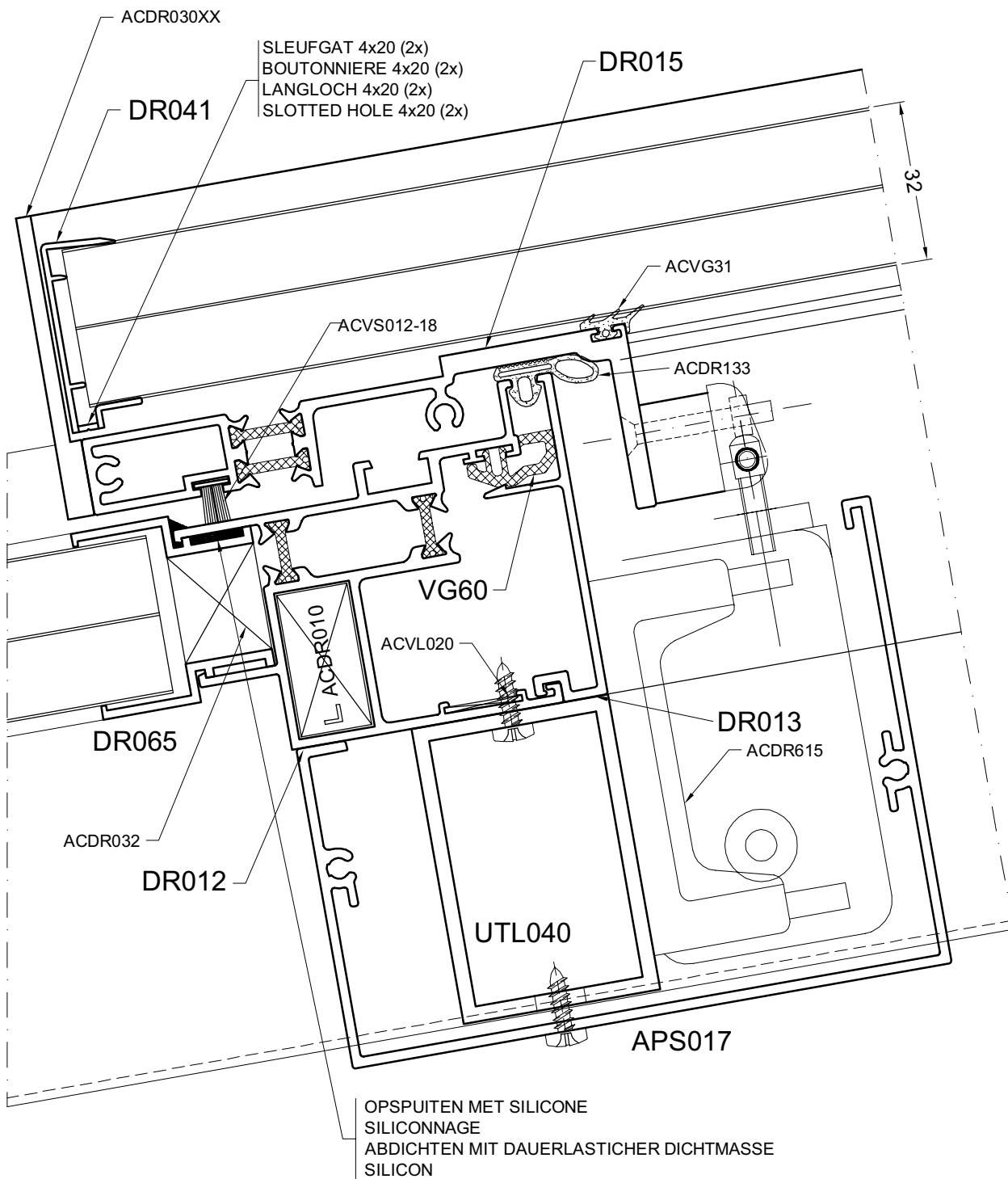
DOORSNEDE - COUPE - SCHNITT - SECTION



DOOR1C

1D

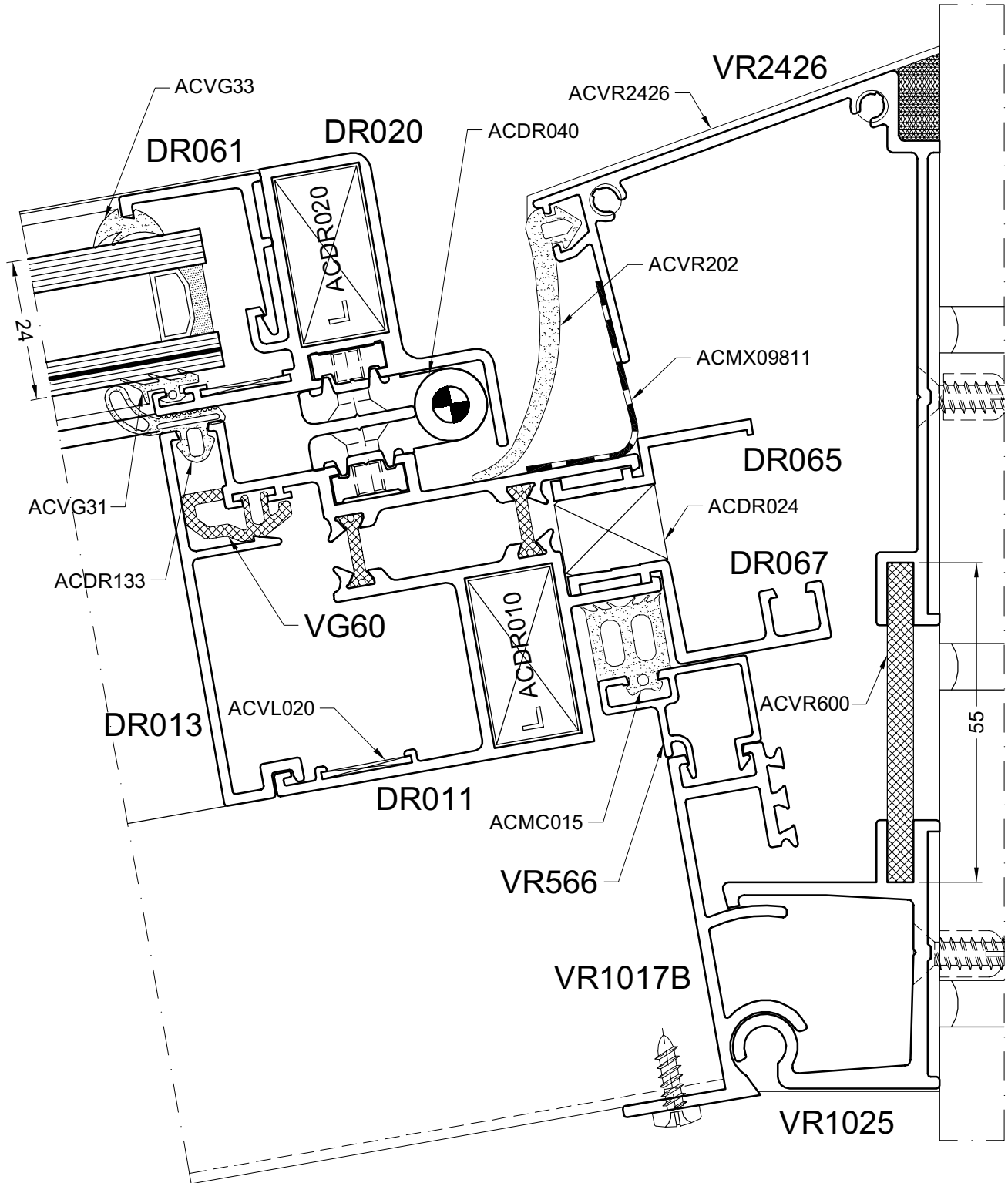
DOORSNEDE - COUPE - SCHNITT - SECTION



door1d

2A

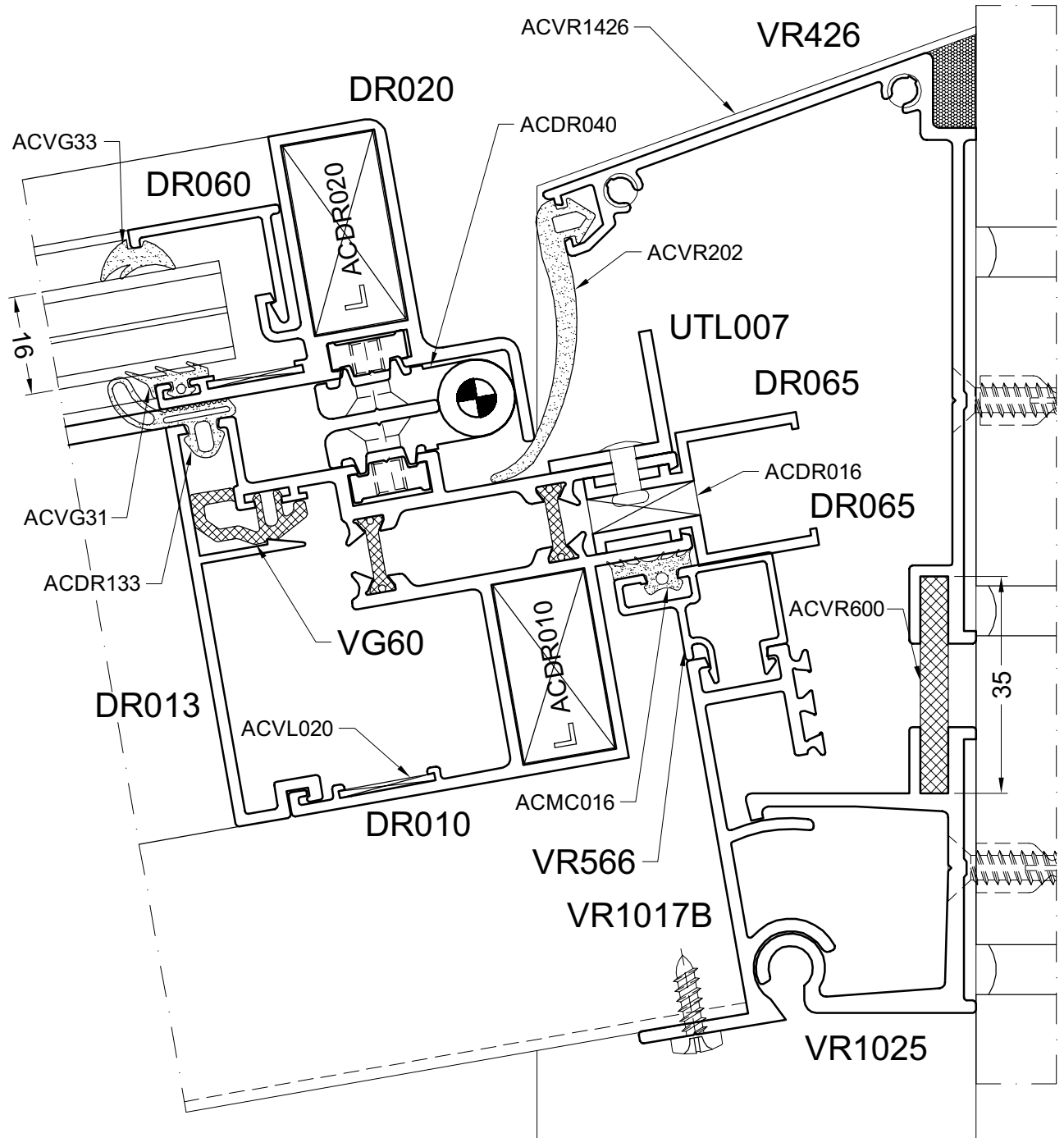
DOORSNEDE - COUPE - SCHNITT - SECTION



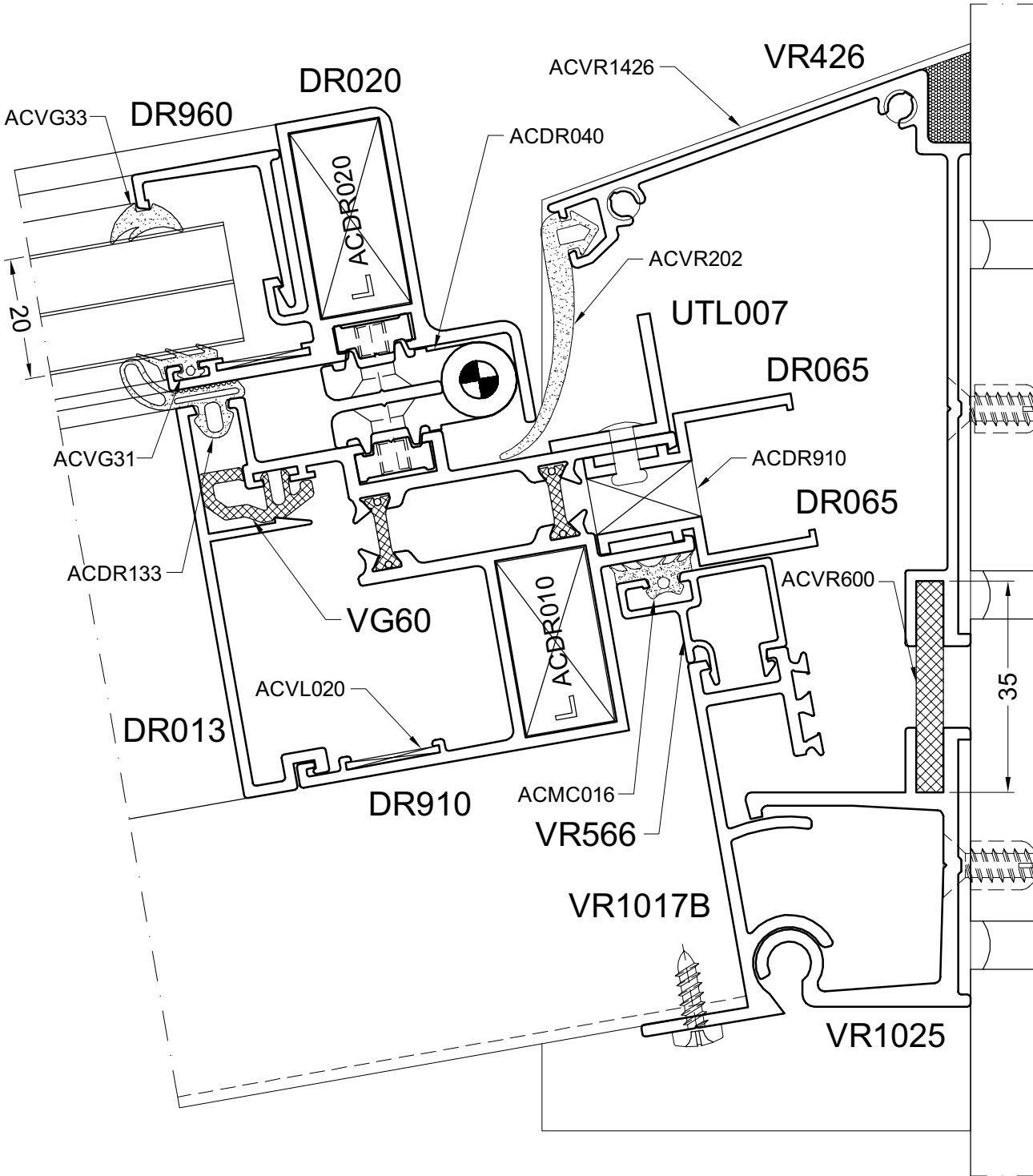
door2a

2B

DOORSNEDE - COUPE - SCHNITT - SECTION



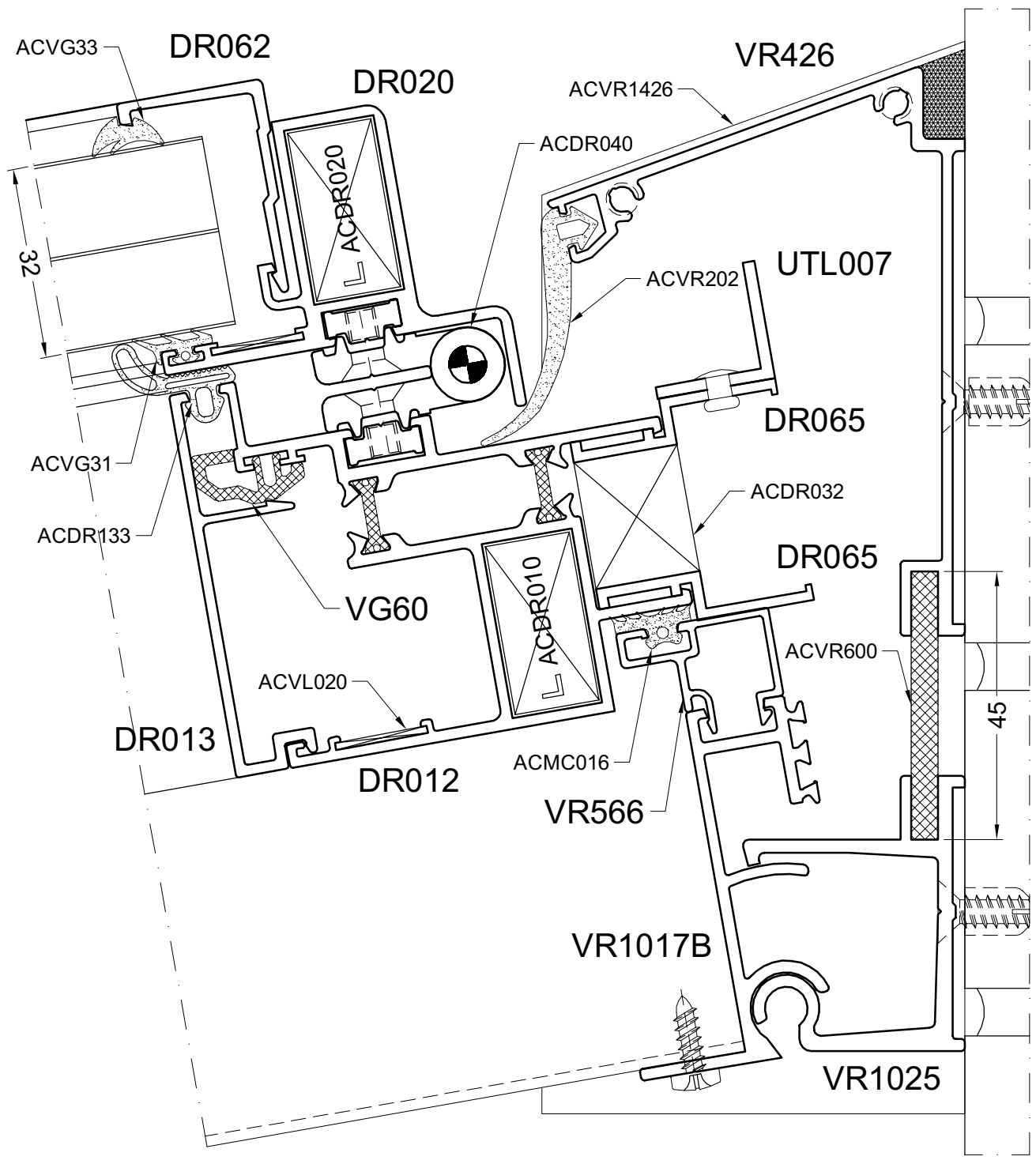
door2b



door2c

2D

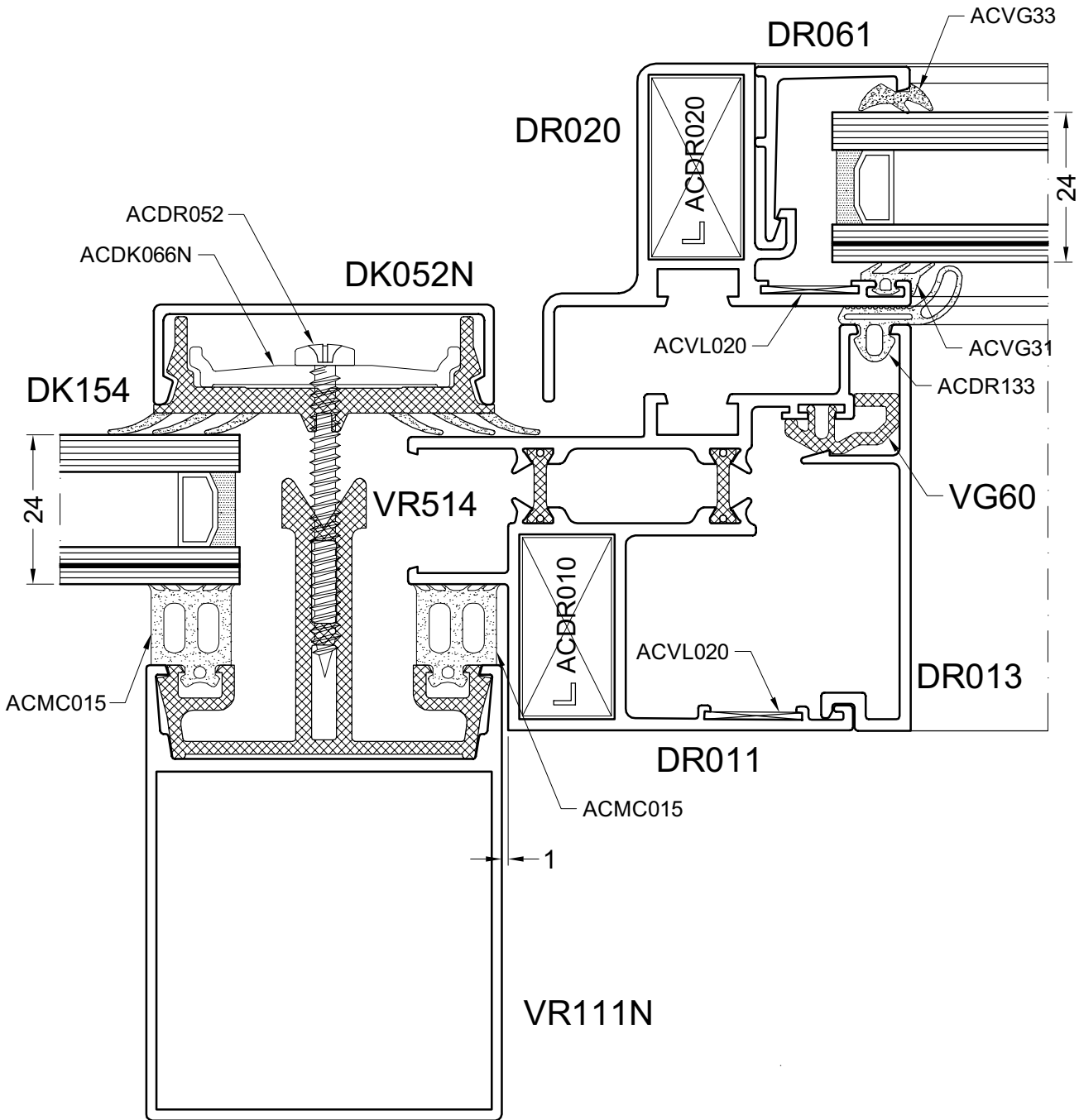
DOORSNEDE - COUPE - SCHNITT - SECTION



door2d

3A

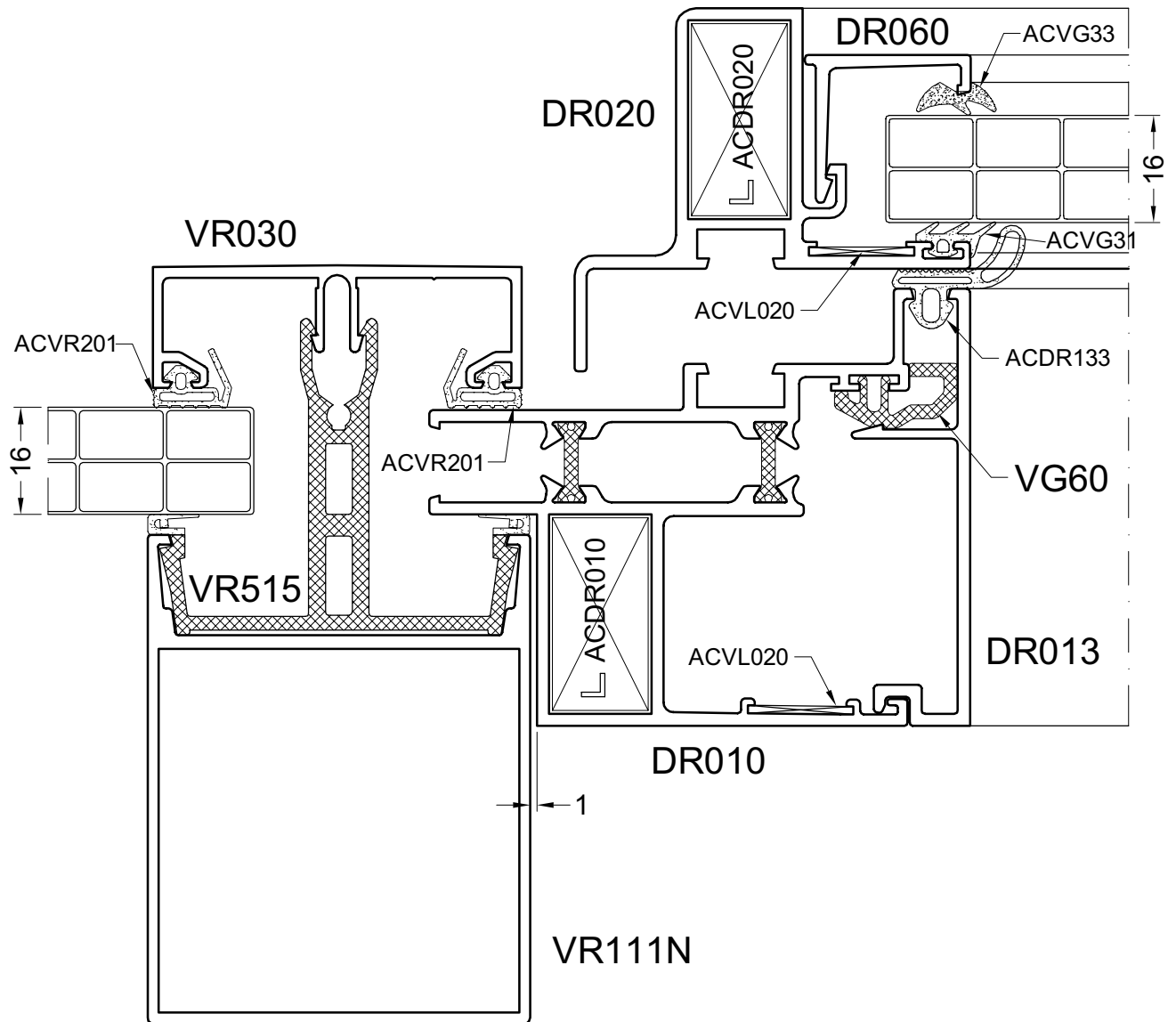
DOORSNEDE - COUPE - SCHNITT - SECTION



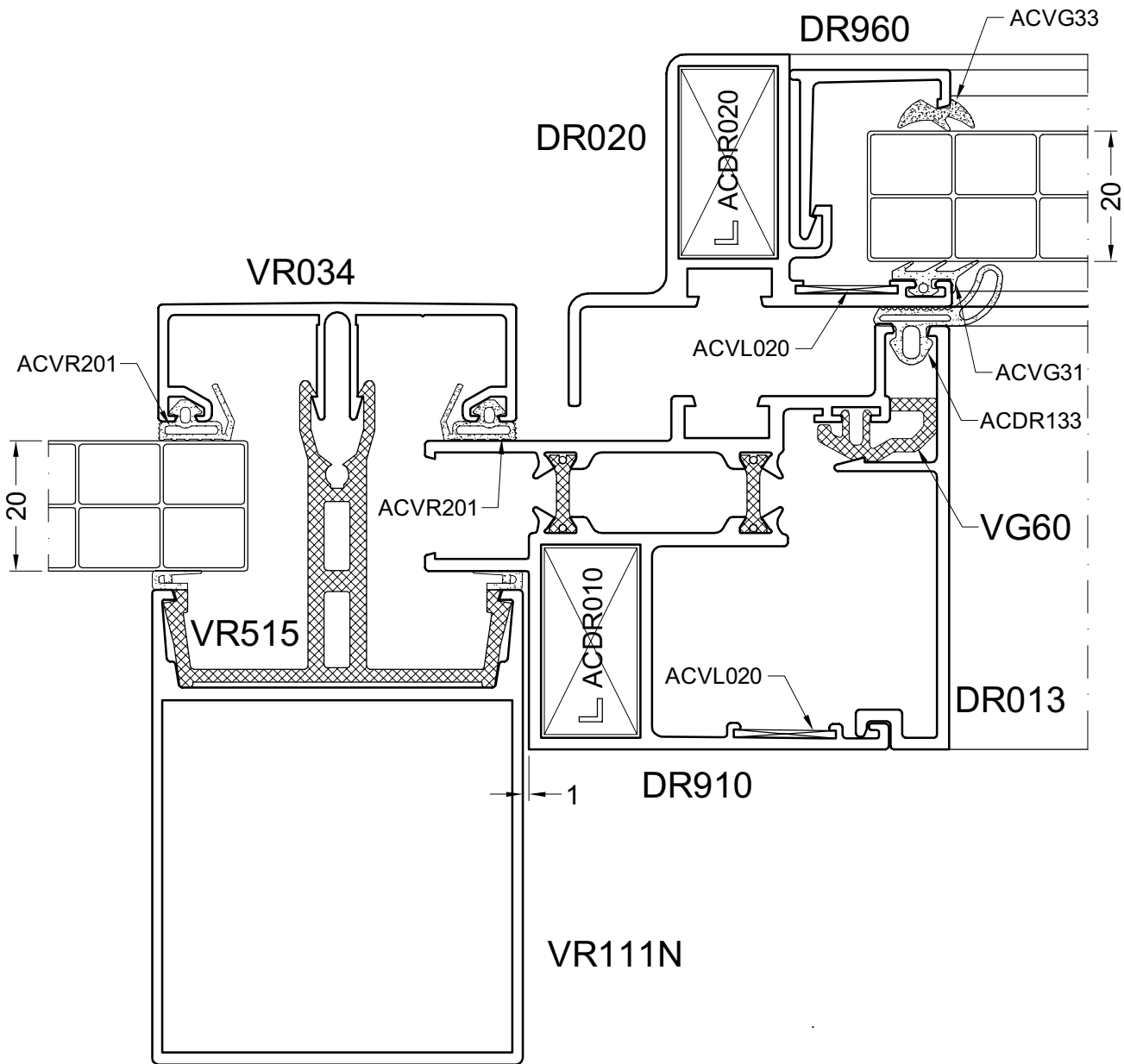
door3a

3B

DOORSNEDE - COUPE - SCHNITT - SECTION



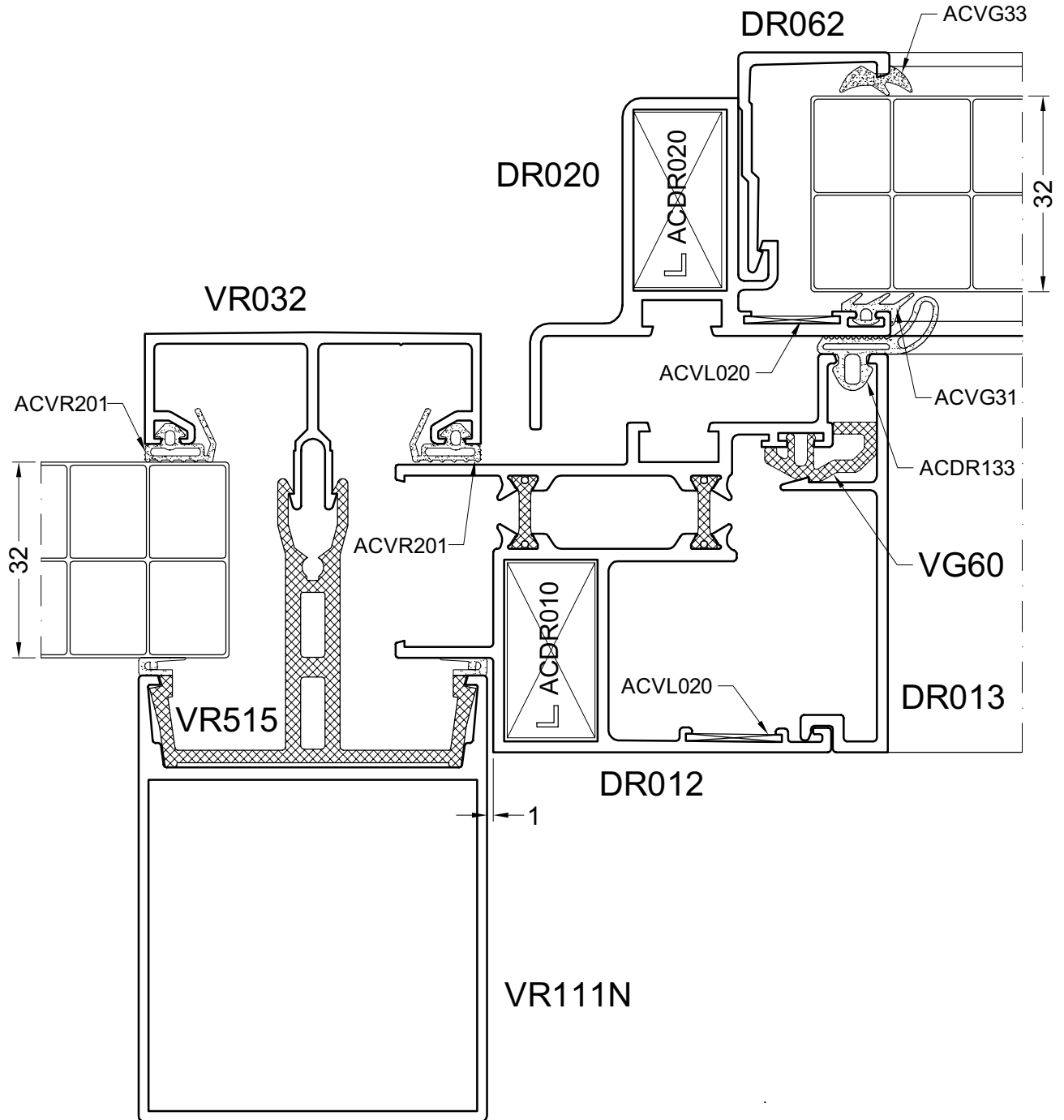
door3b



door3c

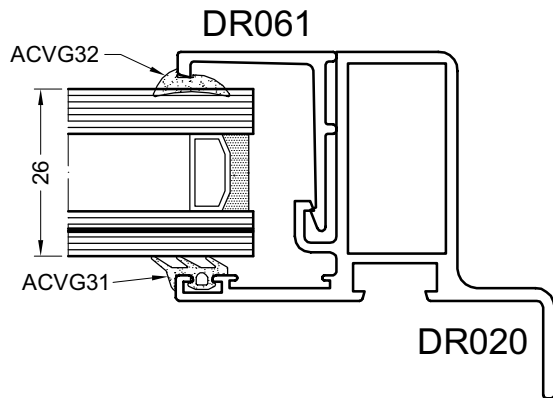
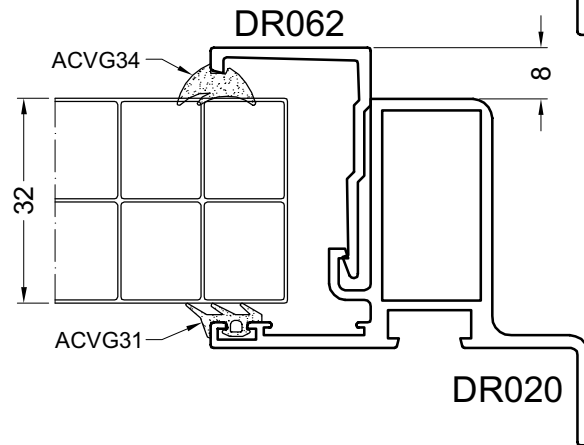
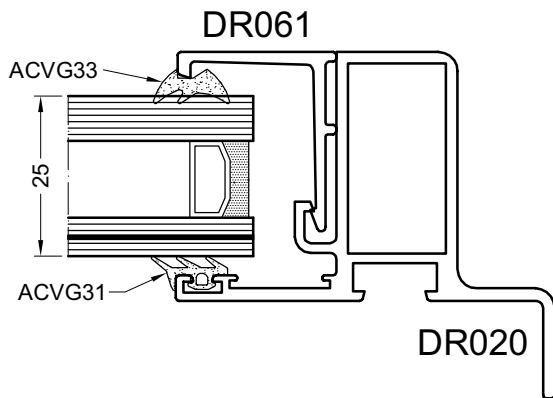
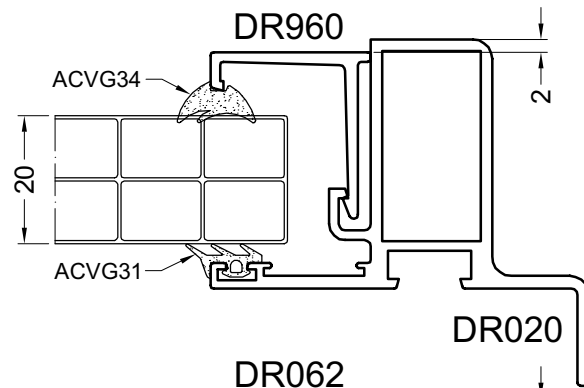
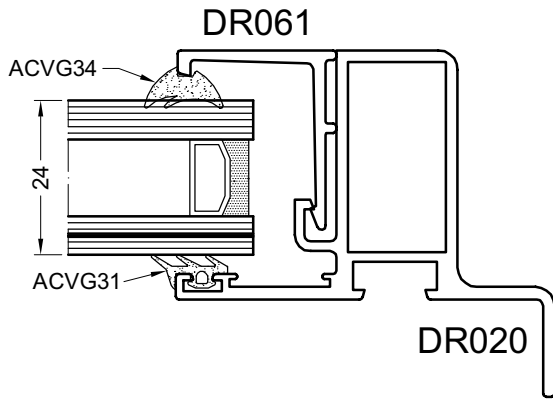
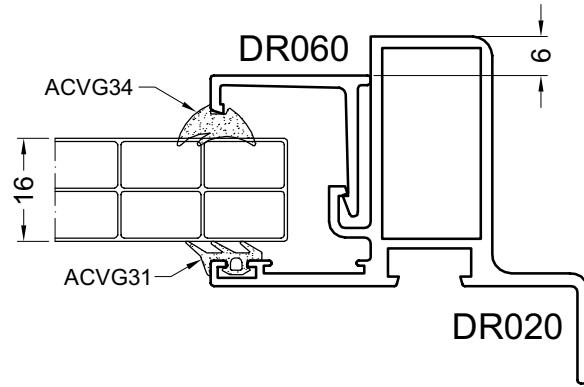
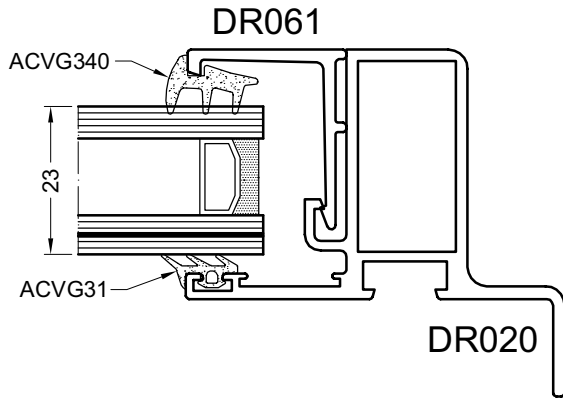
3D

DOORSNEDE - COUPE - SCHNITT - SECTION



GLASTABEL
TABLE DE VITRAGE
BEGLAZUNG TABELLE
GLAZING TABLE

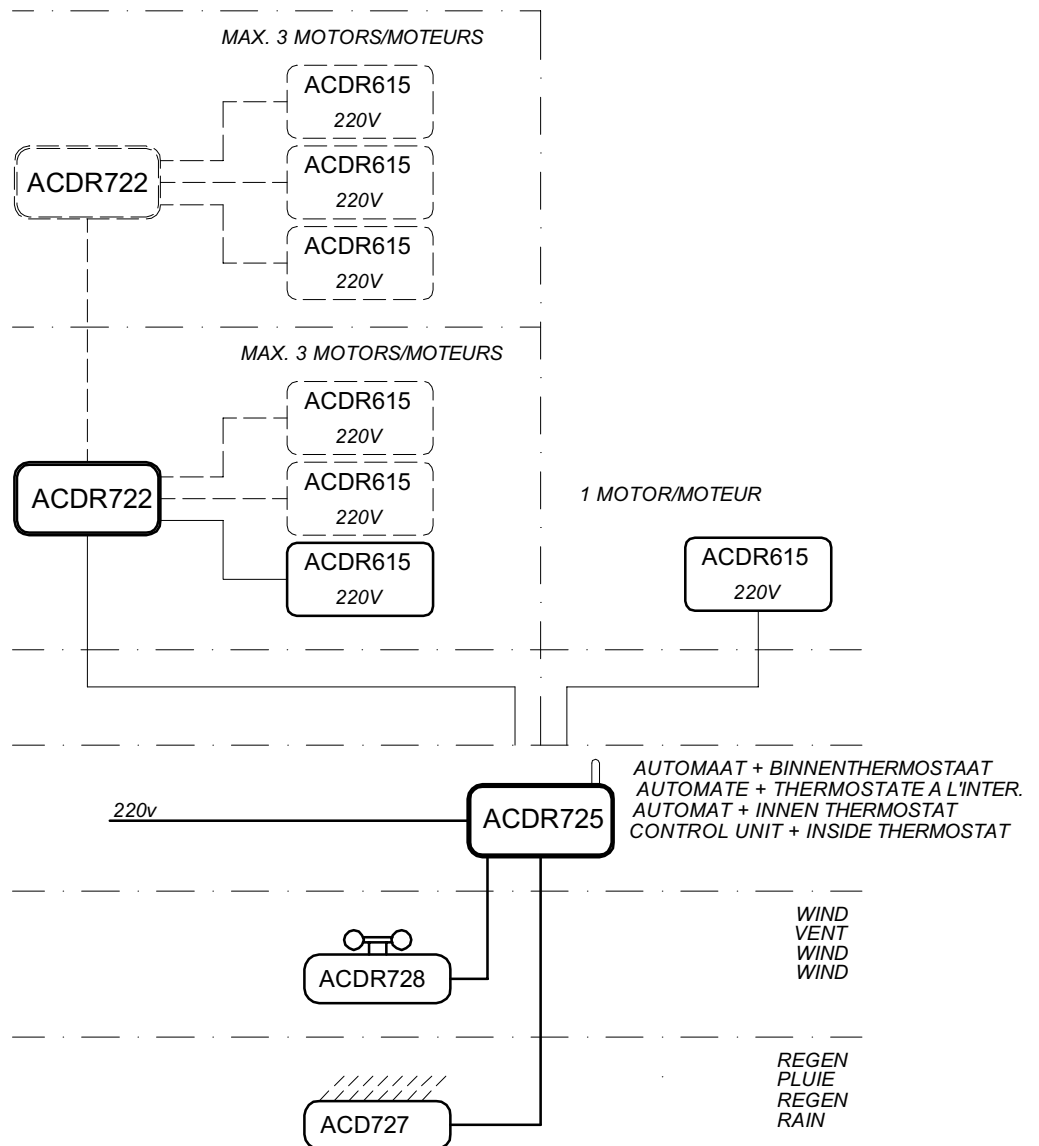
DOORSNEDE - COUPE - SCHNITT - SECTION



glaslijst

**AUTOMAAT ZONDER AFSTANDSBESTURING
AUTOMATE SANS COMMANDE A DISTANCE
AUTOMAT OHNE FERNBEDIENUNG
CONTROL UNIT WITHOUT REMOTE CONTROL**

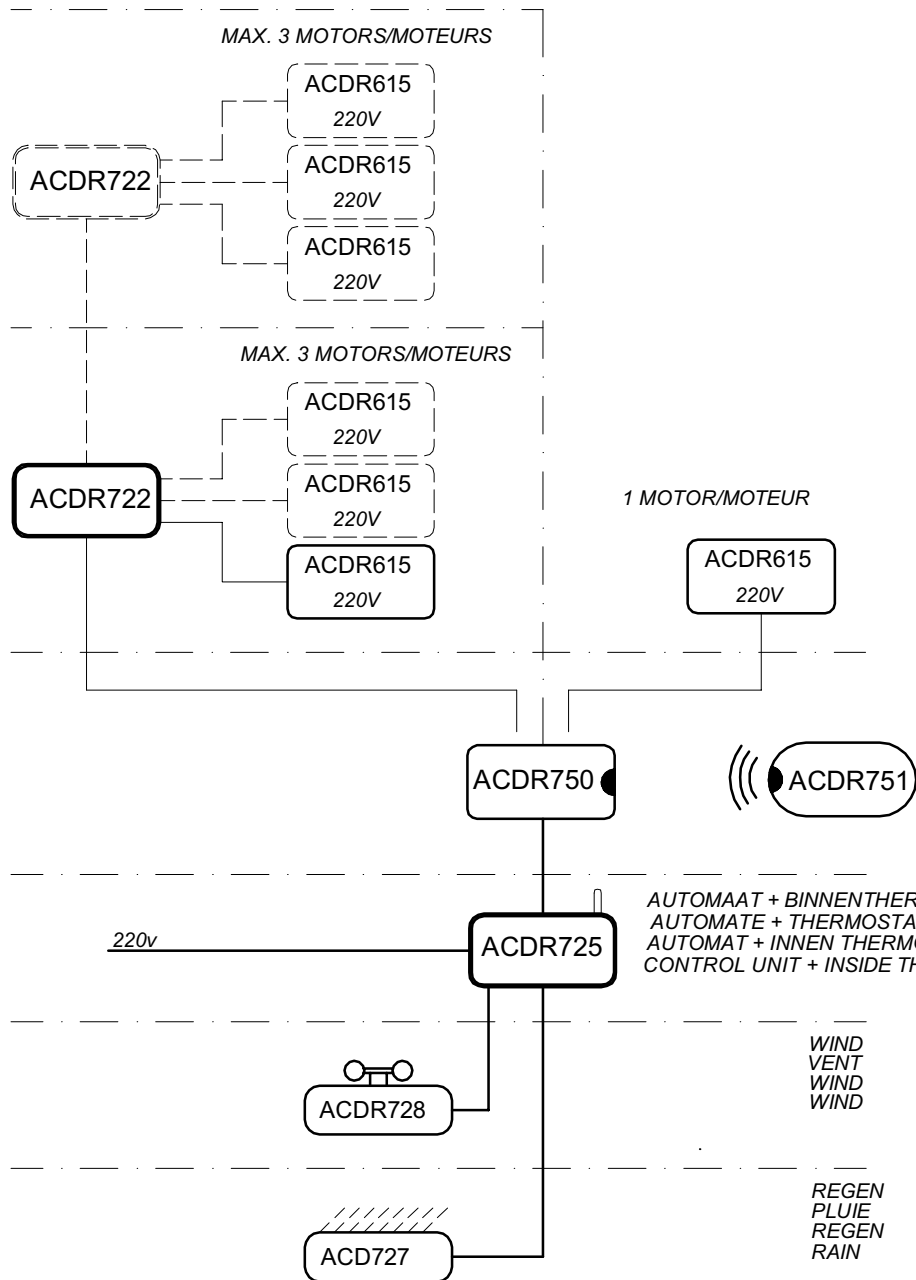
ACDR615 (ELEKTRISCHE MOTOR MANUELE BED. 300N -220V)
 ACDR615 (MOTEUR ELECTRIQUE MANUEL. 300N -220V)
 ACDR615 (ELEKTRISCHEN MOTOR MANUELL 300N -220V)
 ACDR615 (ELECTRIC MOTOR MANUAL 300N -220V)



ALGEMENE INFORMATIE - INFORMATION GENERALE - ALGEMEINE INFORMATION - GENERAL INFORMATION

AUTOMAAT MET AFSTANDBESTURING
AUTOMATE AVEC COMMANDE A DISTANCE
AUTOMAT MIT FERNBEDIENUNG
CONTROL UNIT WITH REMOTE CONTROL

ACDR615 (ELEKTRISCHE MOTOR MANUELE BED. 300N -220V)
ACDR615 (MOTEUR ELECTRIQUE MANUEL. 300N -220V)
ACDR615 (ELEKTRISCHEN MOTOR MANUELL 300N -220V)
ACDR615 (ELECTRIC MOTOR MANUAL 300N -220V)



Info02

ZAAGTABEL VOOR GLAS VAN 23mm TOT 26mm
LISTE DE DEBITS POUR VITRAGE DE 23mm JUSQU'A 26mm
ZUSCHNITT-TABELLE FÜR VERGLAZUNG VON 23mm BIS 26mm
SAWING TABLES FOR GLASS FROM 23mm UP TO 26mm

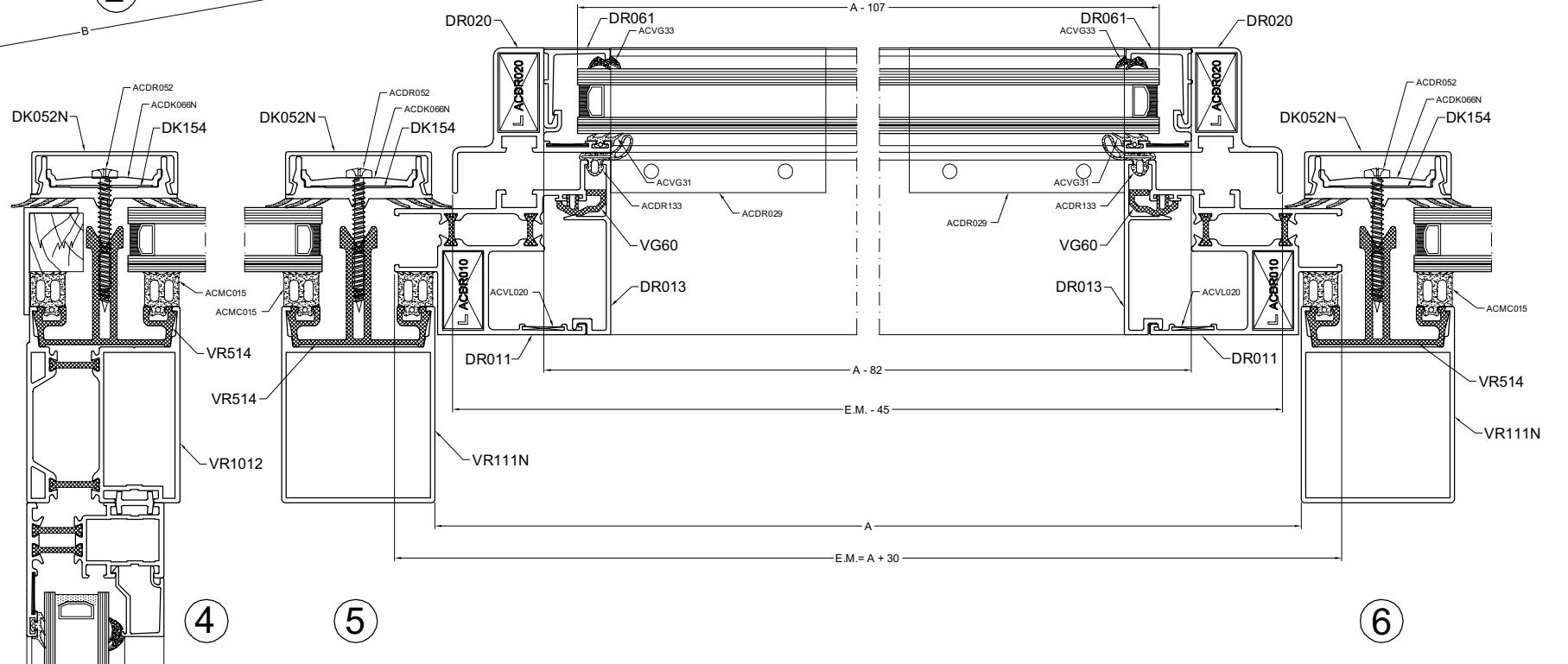
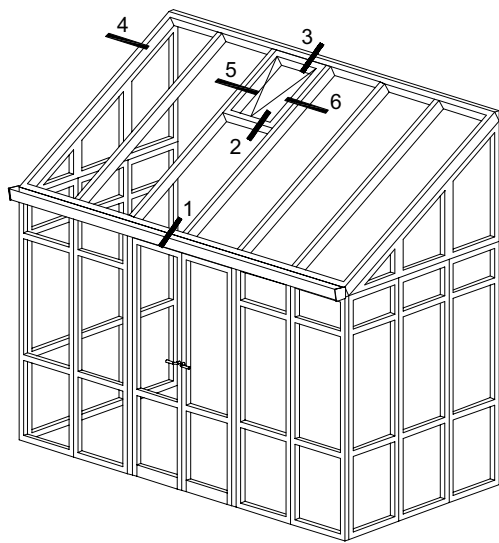
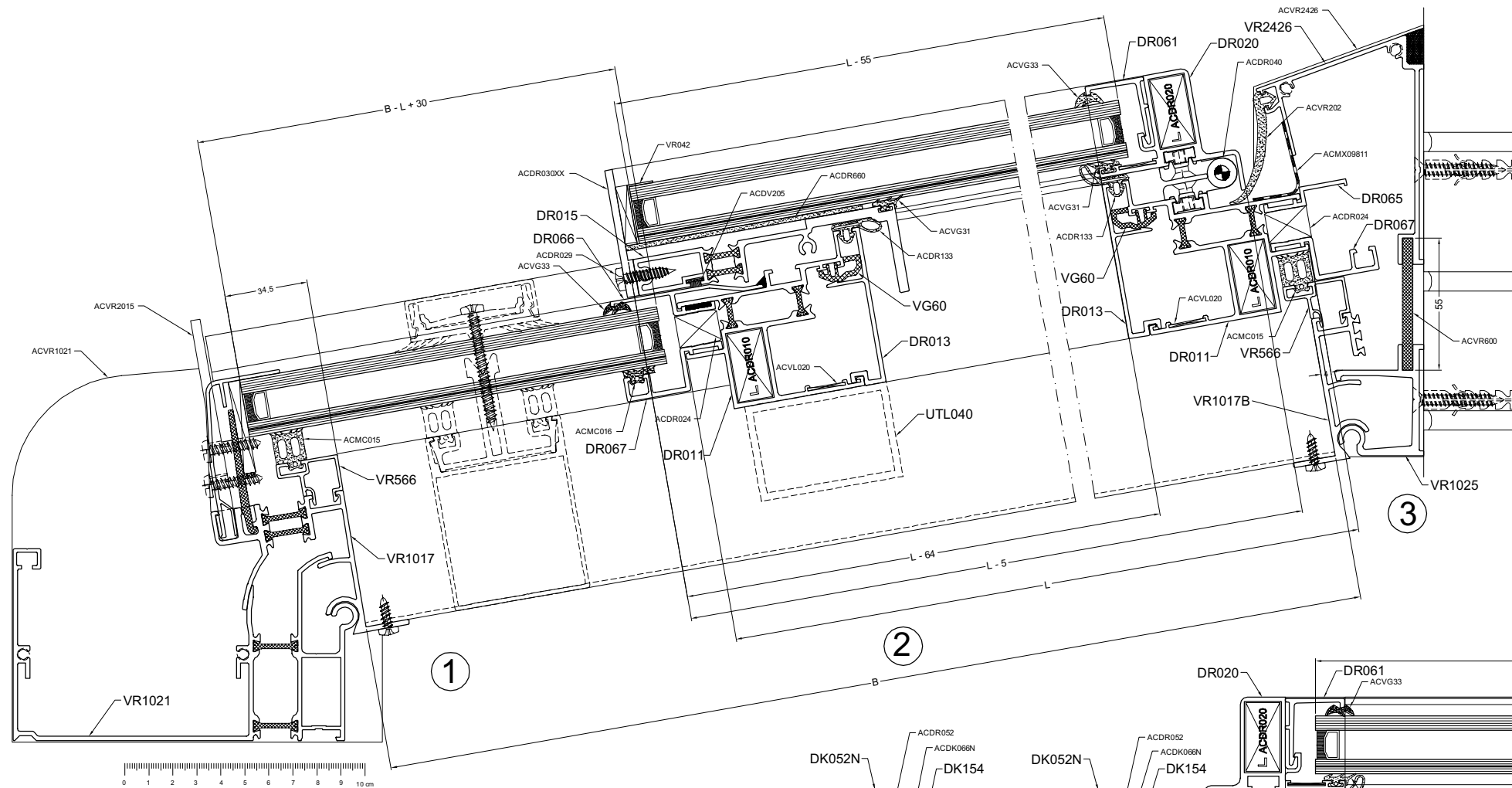
ZAAGTABELLEN - TABLES DE SCIAGES - ZUSCHNITT-TABELLEN - SAWING TABLES

PROFIELEN PROFILES PROFILE PROFILS

DR011+13+VG60		2		A + 30
DR011+13+VG60		2		L
DR020		1		L - 5
DR020		1		L - 5
DR020		1		A - 15
DR015		1		A - 25
DR061		1		A - 82
DR061		2		L - 65
DR067		2		A + 30
DR066		1		A + 30
DR065		1		A + 30
<hr/>				
UTL040		1		A
<hr/>				
VR043		1		A-107

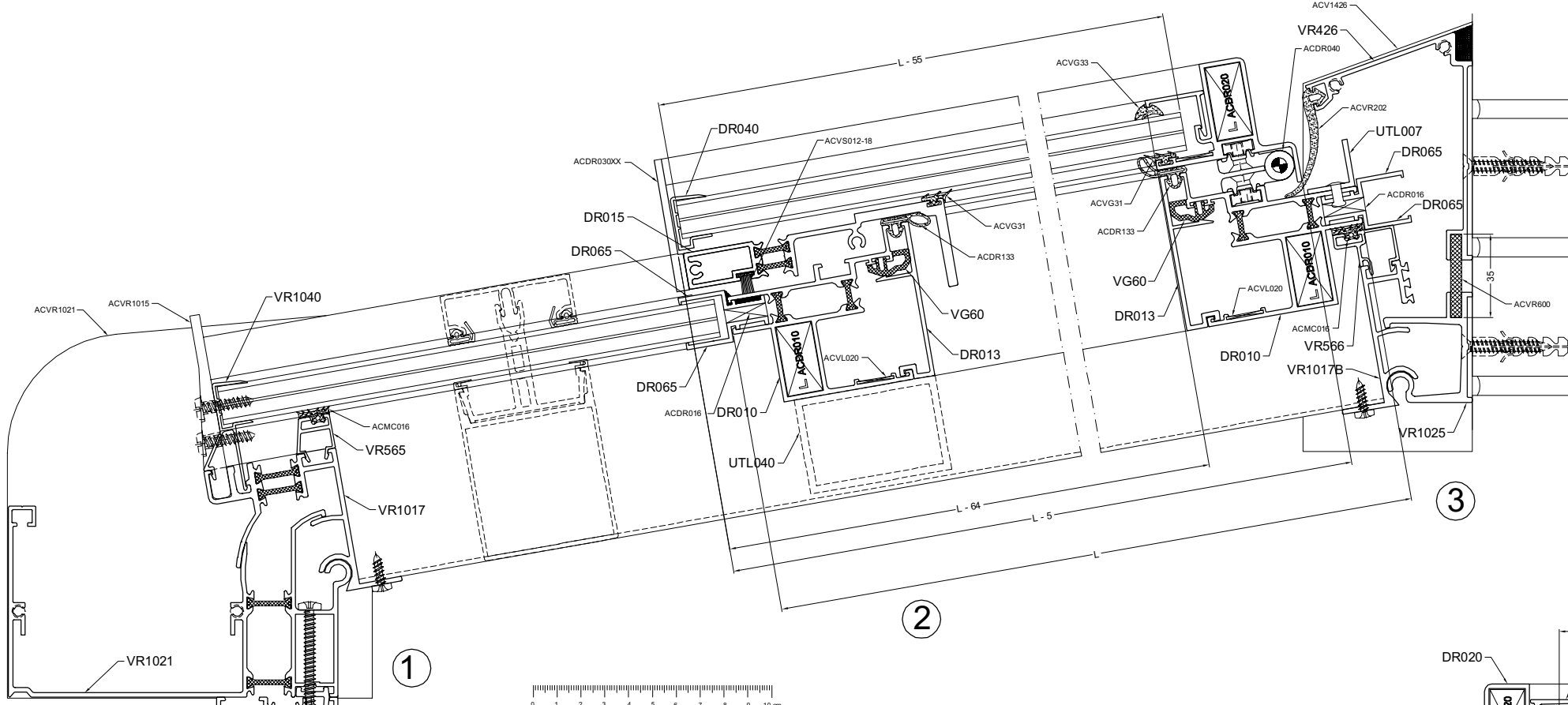
TOEBEHOREN ACCESSOIRES ZUBEHORTEILE ACCESSORIES

ACDR010	4
ACDR020	2
ACVL020	6
ACDR029	2
ACDR030	1 PAAR
ACDR040	2 OF/OU 3
ACVG31	2L+2A-400
ACVG33	2L+A-200
ACDR133	2L+2A-200
ACDV205	A-66
ACDR024	8
ACMC016	A+30
ACDR660	A-25



ZAAGTABEL VOOR POLYCARBONAAT VAN 16mm
 LISTE DE DEBITS POUR POLYCARBONATE DE 16mm
 ZUSCHNITT-TABELLE FOR POLYCARBONAT VON 16mm
 SAWING TABLE FOR POLYCARBONATE FROM 16mm

ZAAGTABELLEN - TABLES DE SCIAGES - ZUSCHNITT-TABELLEN - SAWING TABLES

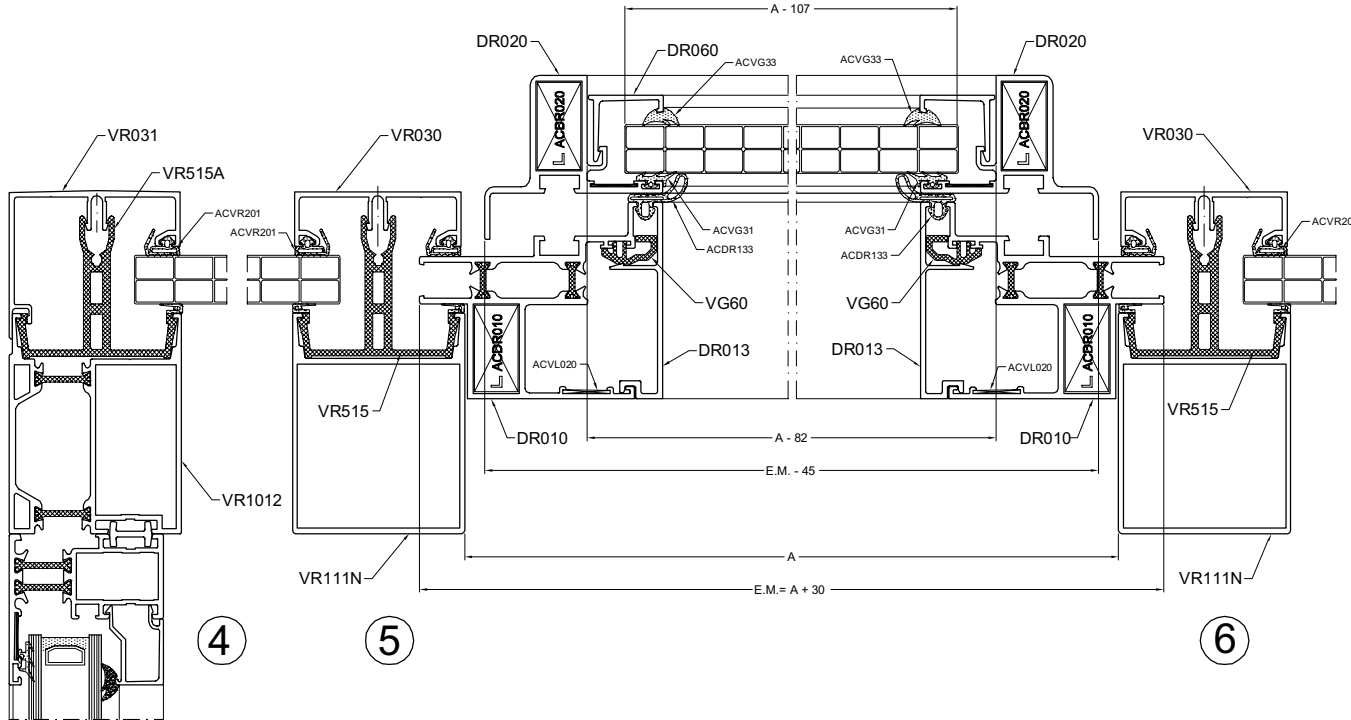
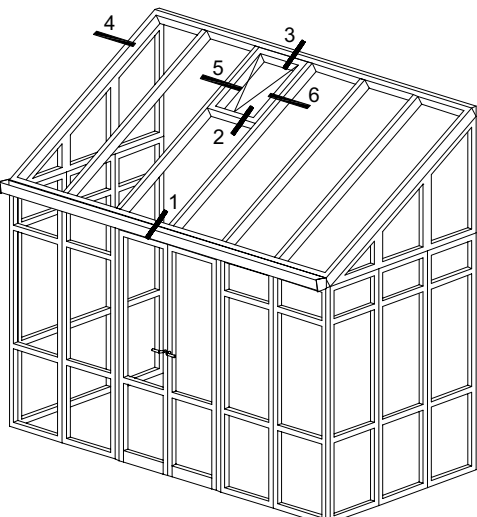


PROFIELEN PROFILES PROFILE PROFILS

DR010+13+VG60		2		A + 30
DR010+13+VG60		2		L
DR020		1		L - 5
DR020		1		L - 5
DR020		1		A - 15
DR015		1		A - 25
DR060		1		A - 82
DR060		2		L - 65
DR065		4		A + 30
DR040		1		A - 107
UTL007		1		A+30
UTL040		1		A

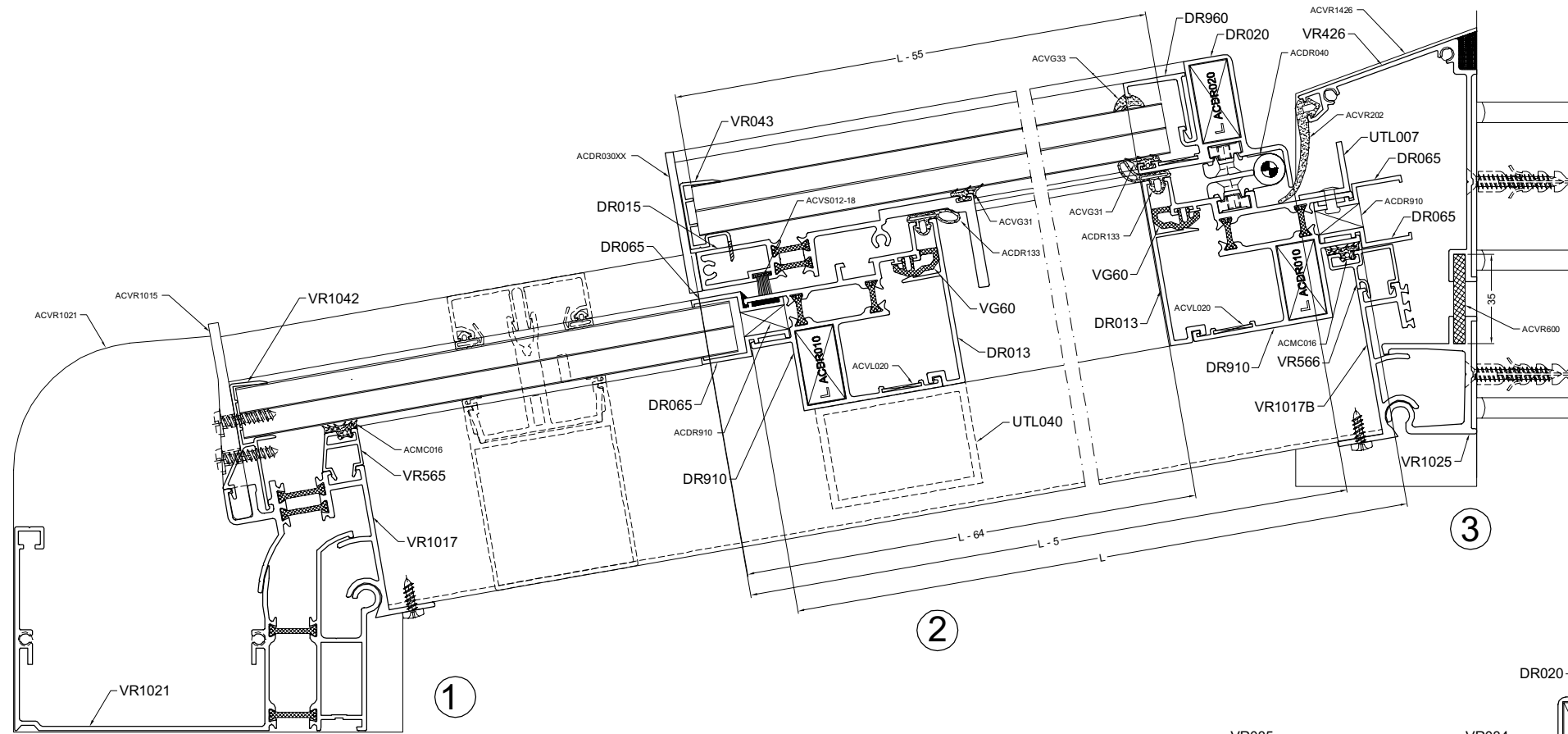
TOEBEHOREN ACCESSOIRES ZUBEHORTEILE ACCESSORIES

ACDR010	4
ACDR020	2
ACVL020	6
ACDR030XX	1 PAAR
ACDR040	2 OF/OU 3
ACVG31	2L+2A-400
ACVG33	2L+A-200
ACDR133	2L+2A-200
ACVS012-18	A-66
ACDR016	8



ZAAGTABEL VOOR POLYCARBONAAT VAN 20mm
LISTE DE DEBITS POUR POLYCARBONATE DE 20mm
ZUSCHNITT-TABELLE FÜR POLYCARBONAT VON 20mm
SAWING TABLE FOR POLYCARBONATE FROM 20mm

ZAAGTABELLEN - TABLES DE SCIAGES - ZUSCHNITT-TABELLEN - SAWING TABLES

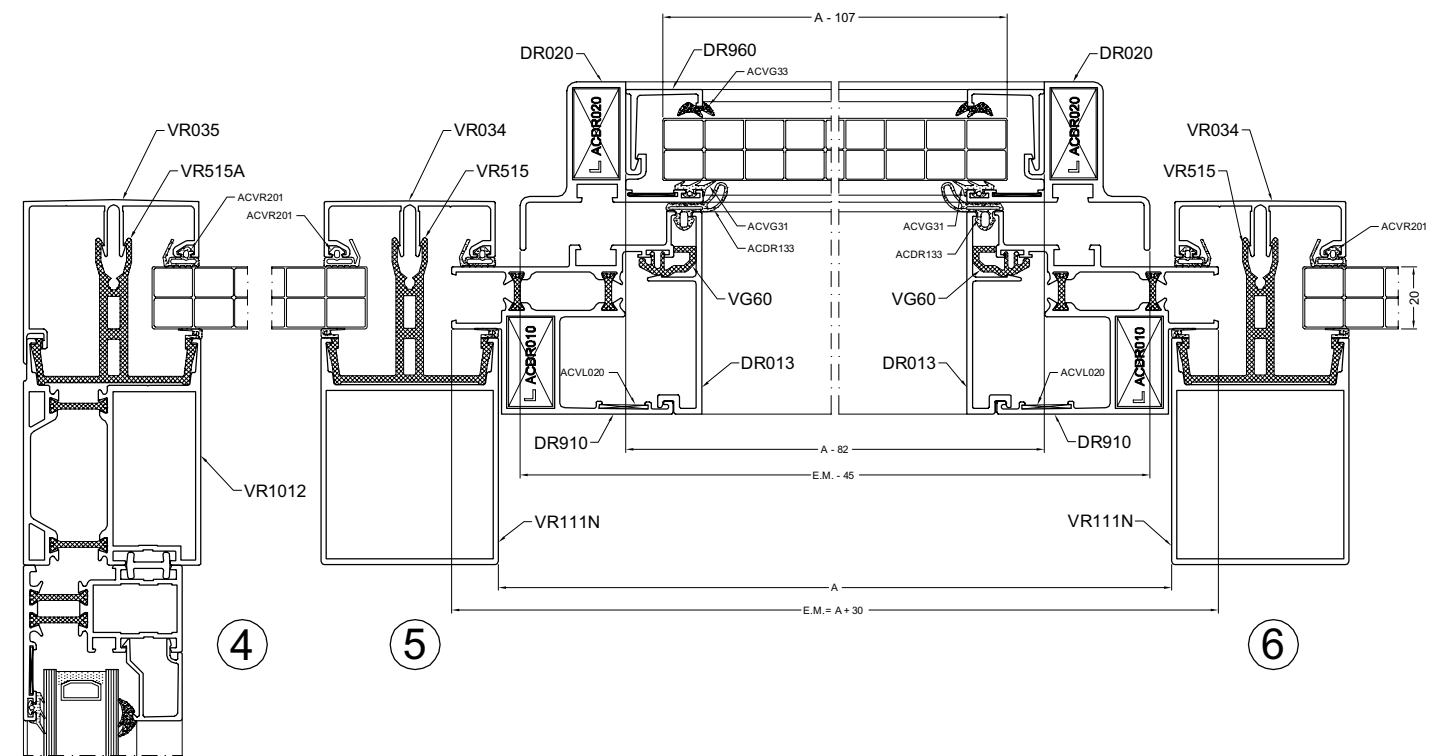
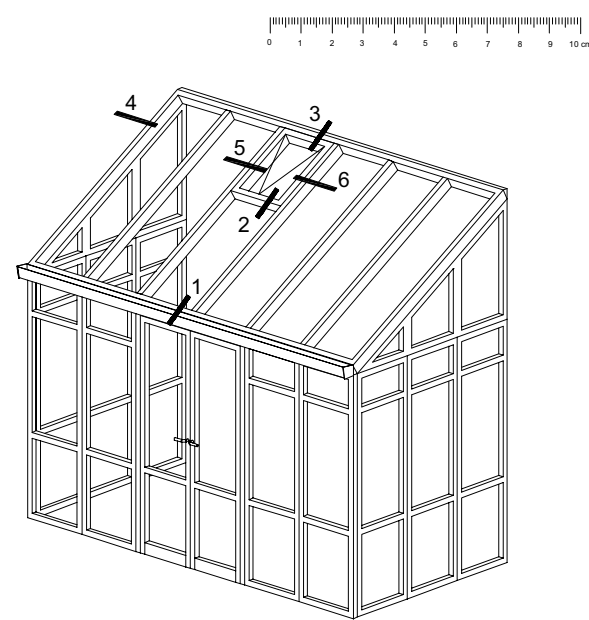


PROFIELEN PROFILES PROFILE PROFILS

DR910+13+VG60		2		A + 30
DR910+13+VG60		2		L
DR020		1		L - 5
DR020		1		L - 5
DR020		1		A - 15
DR015		1		A - 25
DR960		1		A - 82
DR960		2		L - 65
DR065		4		A + 30
VR043		1		A - 107
UTL007		1		A+30
UTL040		1		A

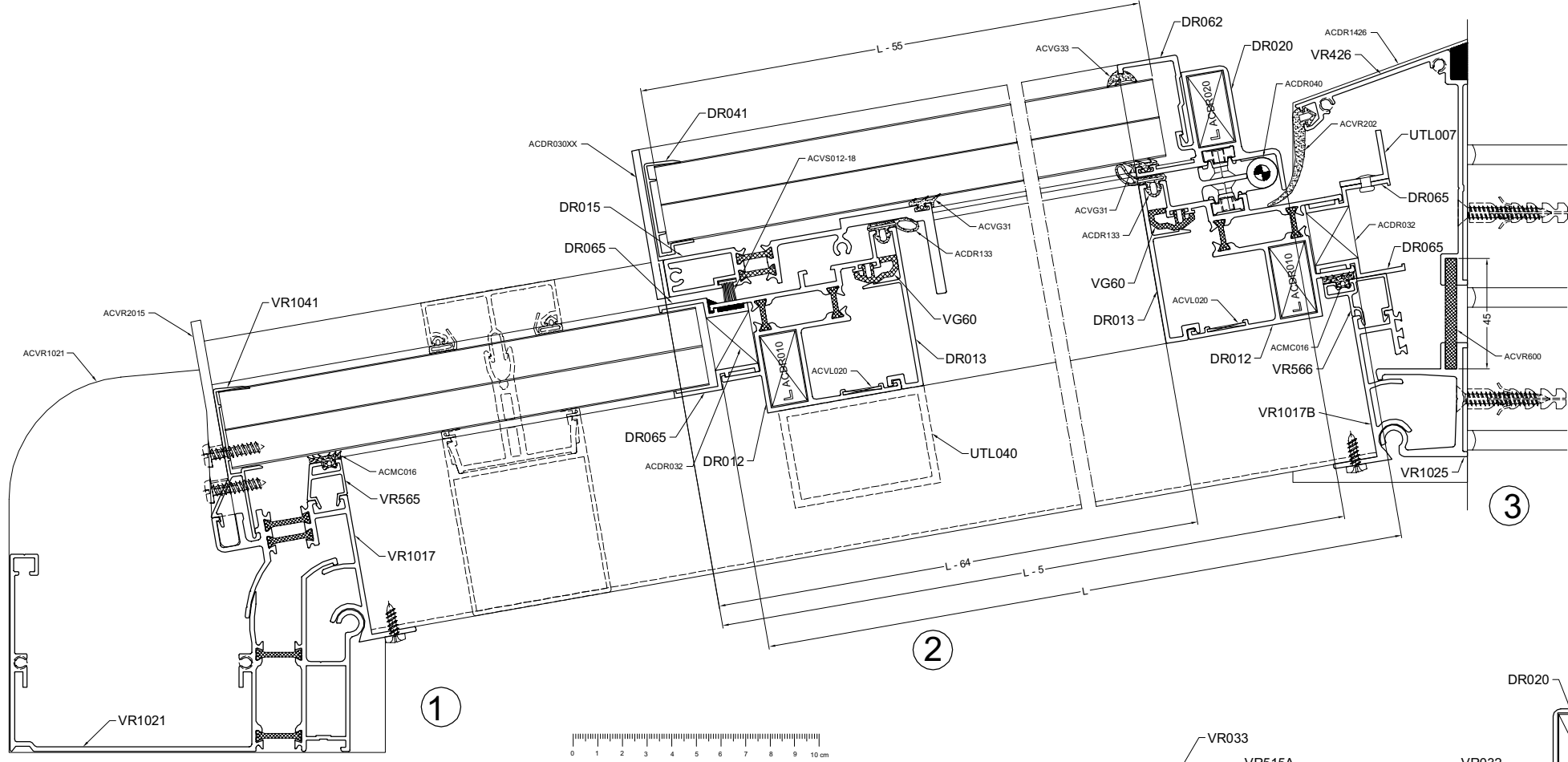
TOEBEHOREN ACCESSOIRES ZUBEHORTEILE ACCESSORIES

ACDR010	4
ACDR020	2
ACVL020	6
ACDR030XX	1 PAAR
ACDR040	2 OF/OU 3
ACVG31	2L+A-400
ACVG33	2L+A-200
ACDR133	2L+2A-200
ACVS012-18	A-66
ACDR910	8



ZAAGTABEL VOOR POLYCARBONAAT VAN 32mm
 LISTE DE DEBITS POUR POLYCARBONATE DE 32mm
 ZUSCHNITT-TABELLE FÜR POLYCARBONAT VON 32mm
 SAWING TABLE FOR POLYCARBONATE FROM 32mm

ZAAGTABELLEN - TABLES DE SCIAGES - ZUSCHNITT-TABELLEN - SAWING TABLES

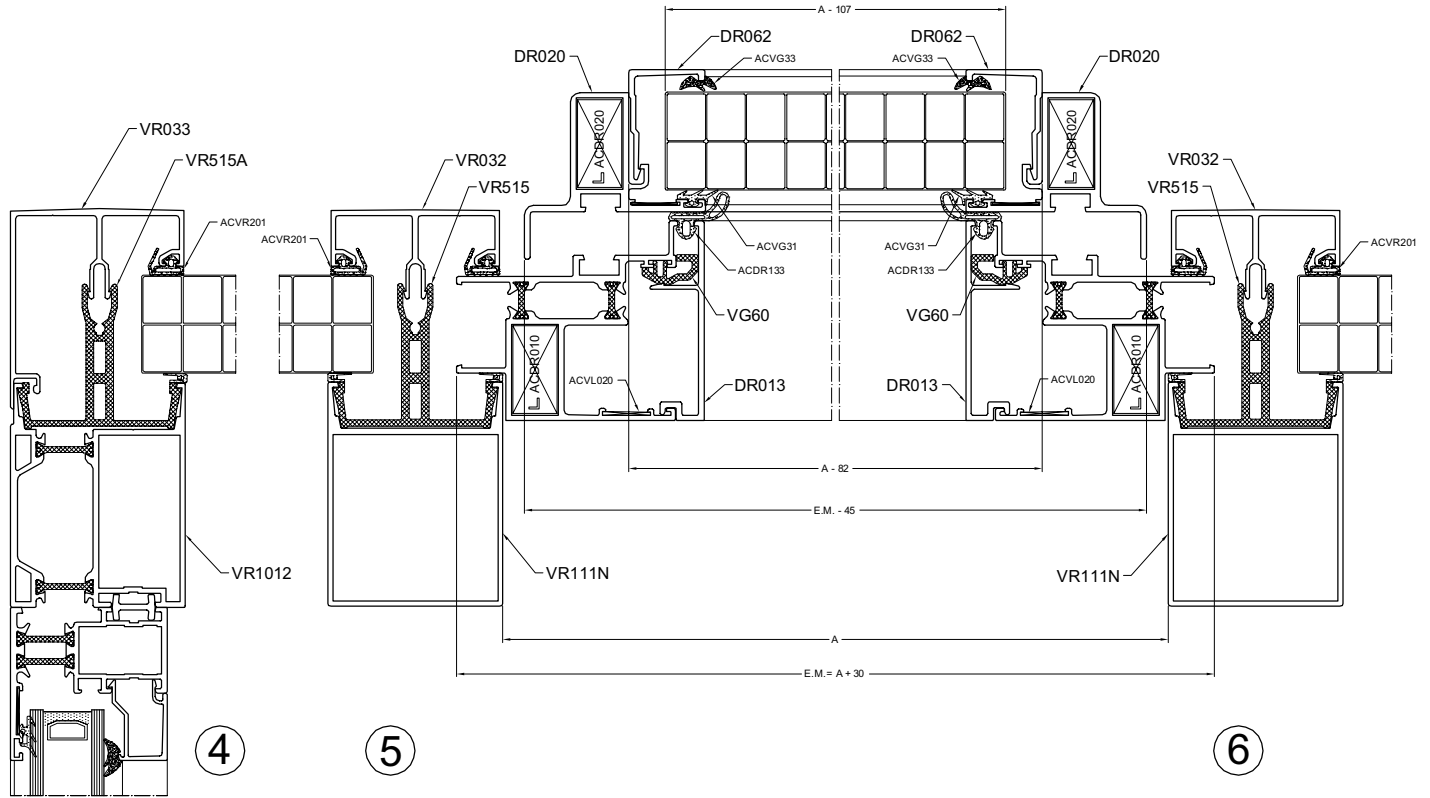
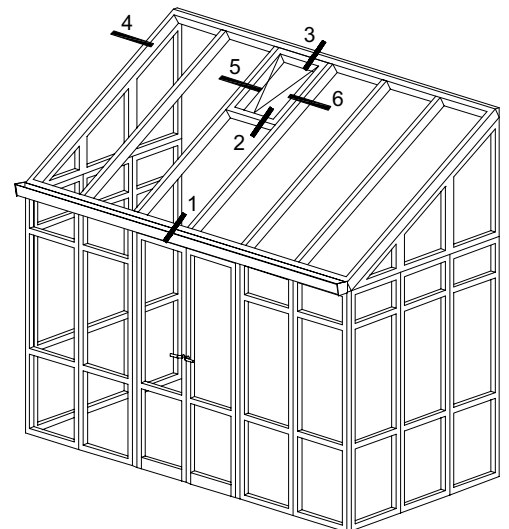


PROFIELN PROFILES PROFILE PROFILS

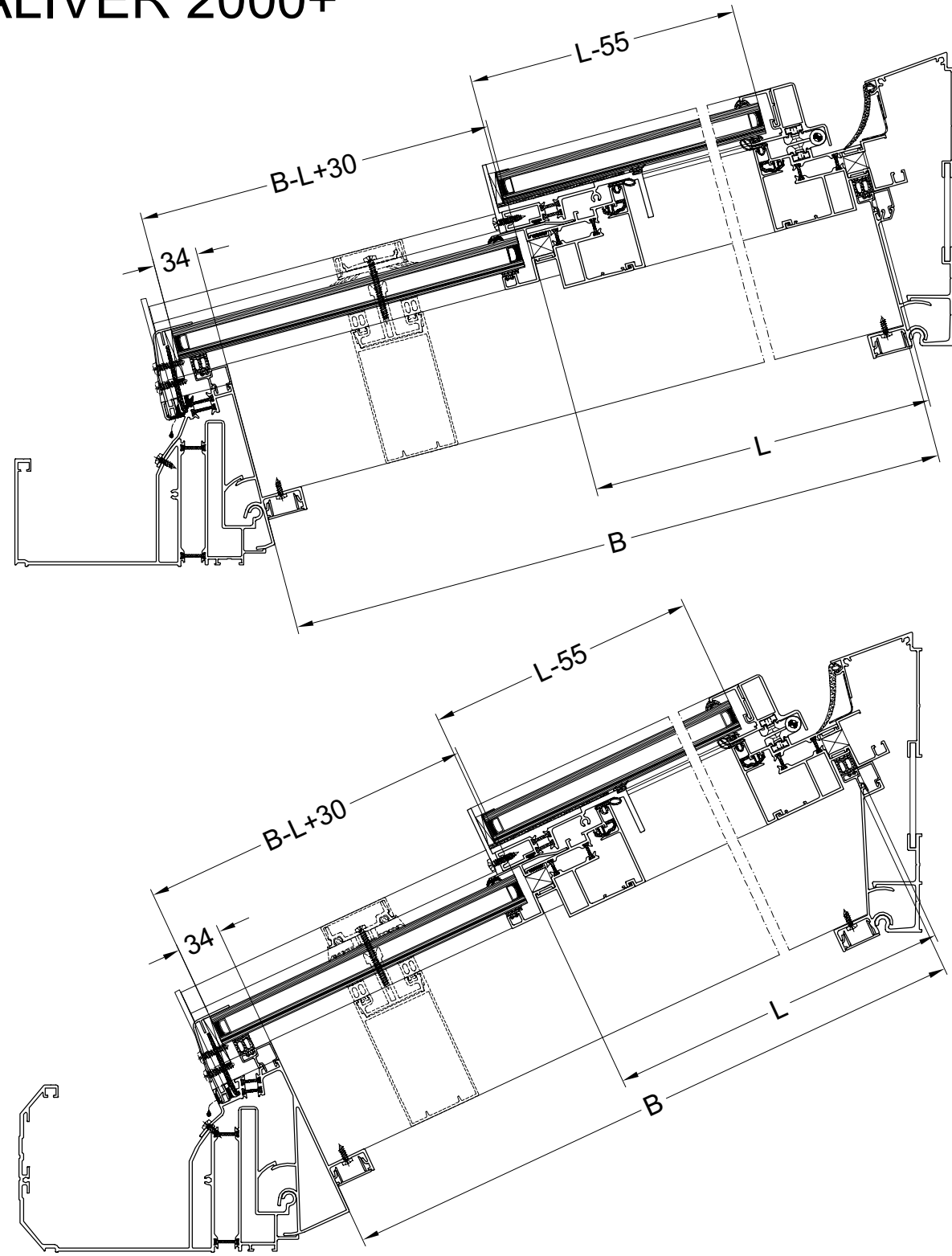
DR012+13+VG60		2		A + 30
DR012+13+VG60		2		L
DR020		1		L - 5
DR020		1		L - 5
DR020		1		A - 15
DR015		1		A - 25
DR062		1		A - 82
DR062		2		L - 65
DR065		4		A + 30
DR041		1		A - 107
UTL007		1		A + 30
UTL040		1		A

TOEBEHOREN ACCESSOIRES ZUBEHÖRTEILE ACCESSORIES

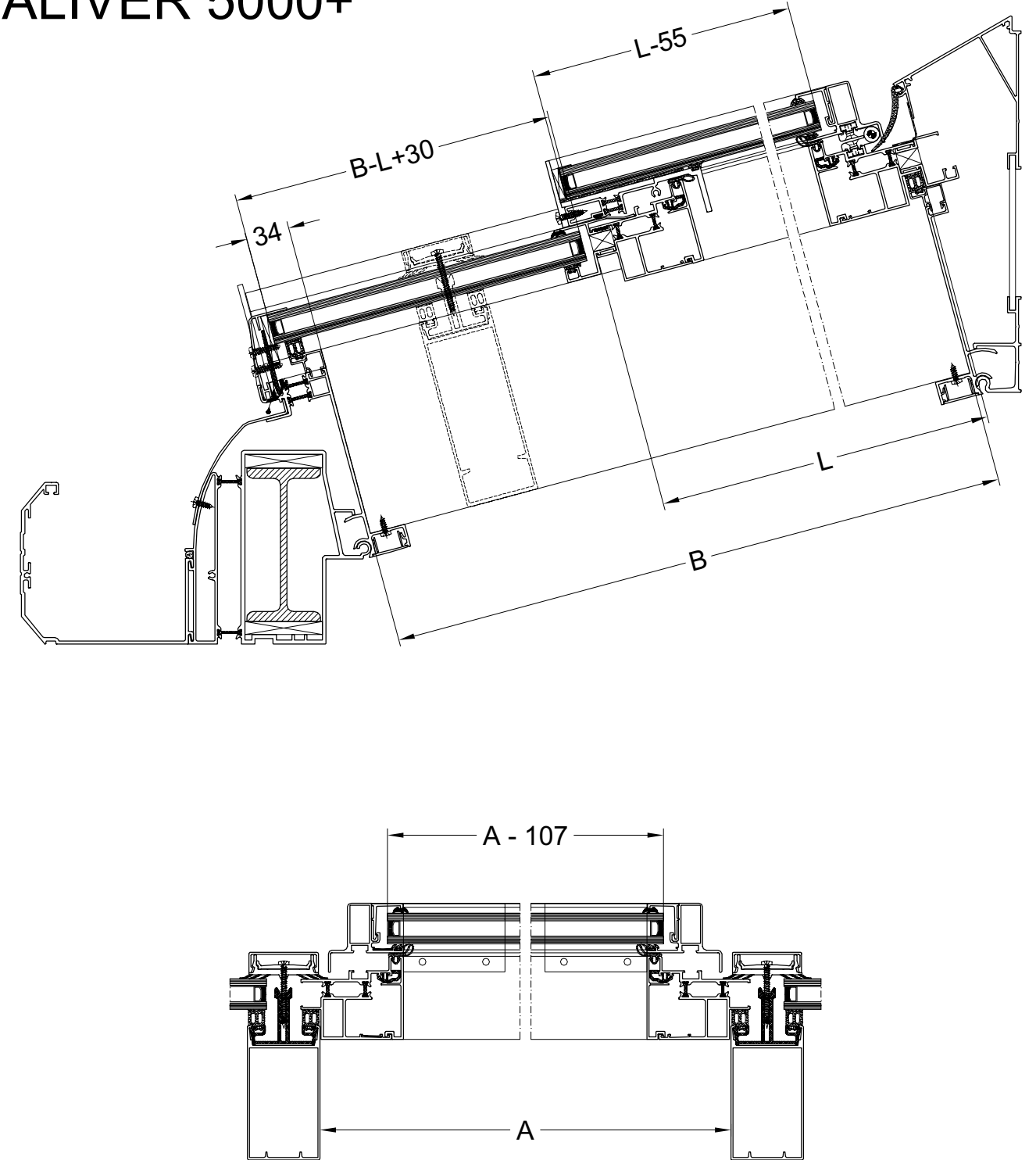
ACDR010	4
ACDR020	2
ACVL020	6
ACDR030	1 PAAR
ACDR040	2 OF/OU 3
ACVG31	2L+2A-400
ACVG33	2L+A-200
ACDR133	2L+2A-200
ACVS012-18	A-66
ACDR032	8



ALIVER 2000+



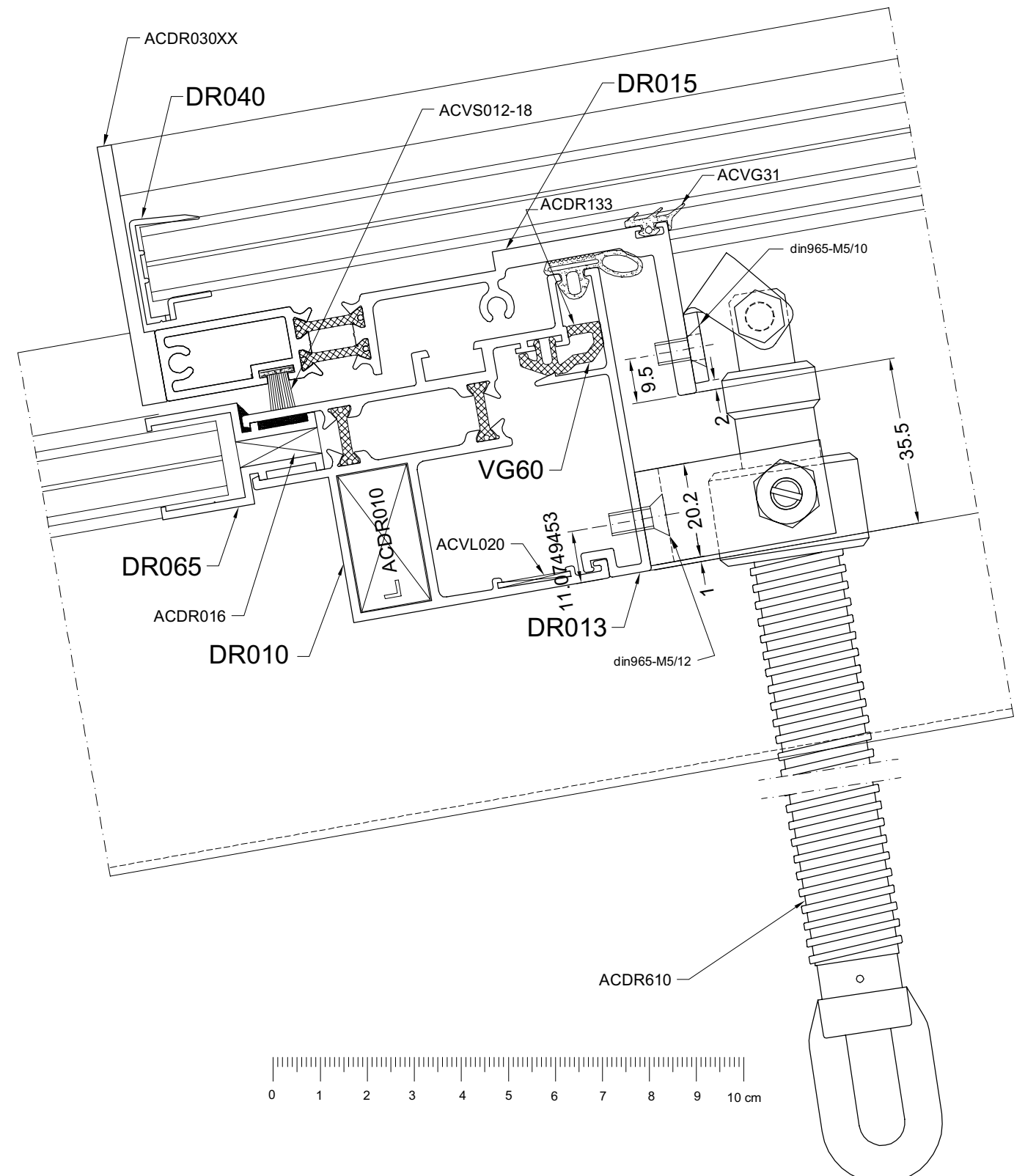
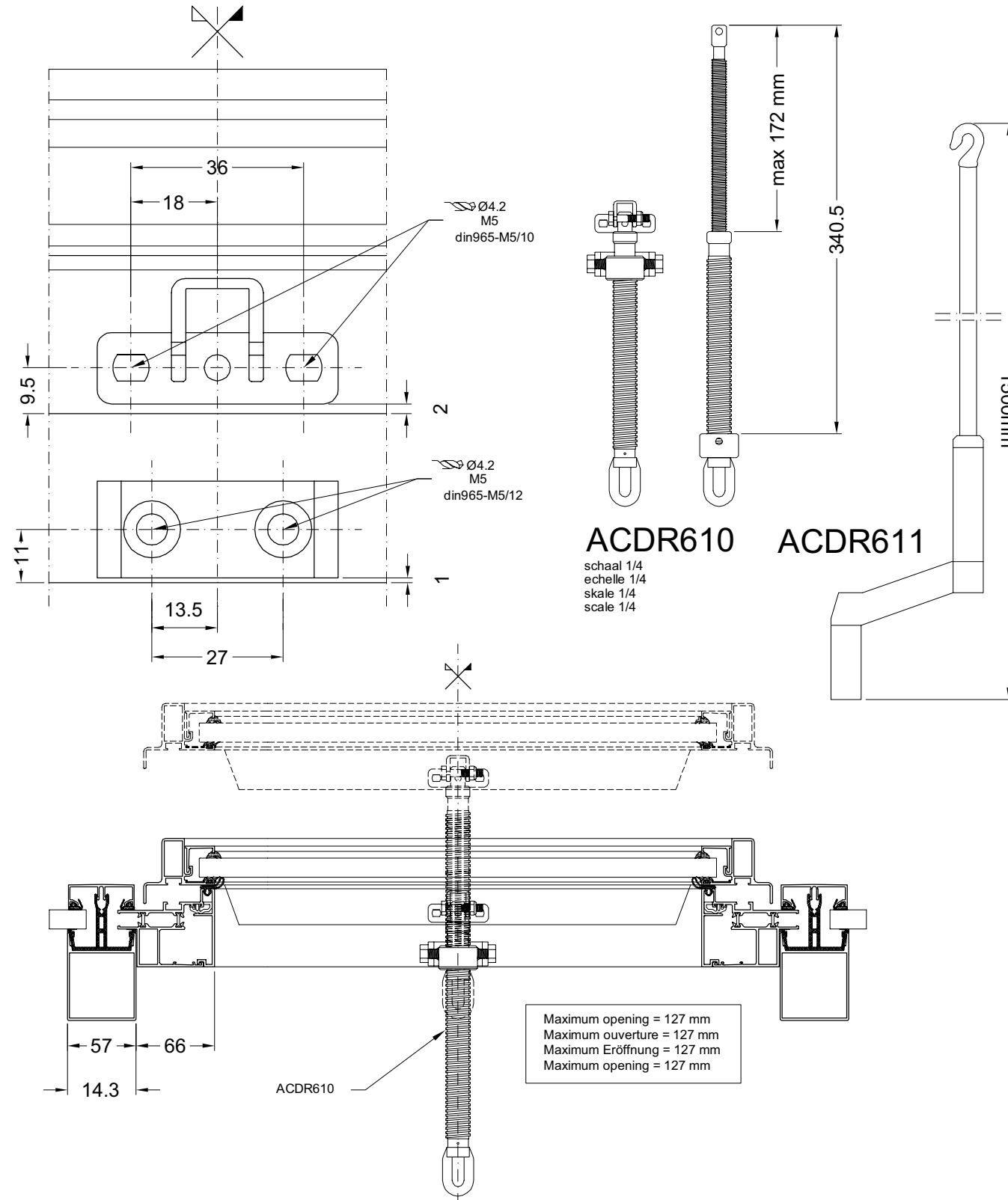
ALIVER 5000+



Glas

MONTAGE MANUELE BEDIENING MET ACDR610/611
MONTAGE COMMANDE MANUELLE AVEC ACDR610/611
MONTAGE MANUELE BEDIENUNG MIT ACDR610/611
MONTAGE OPERATION BY HAND WITH ACDR610/611

WERKTEKENINGEN - DESSINS DE CONSTRUCTION - KONSTRUKTIONZEICHNUNGEN - CONSTRUCTION DRAWINGS

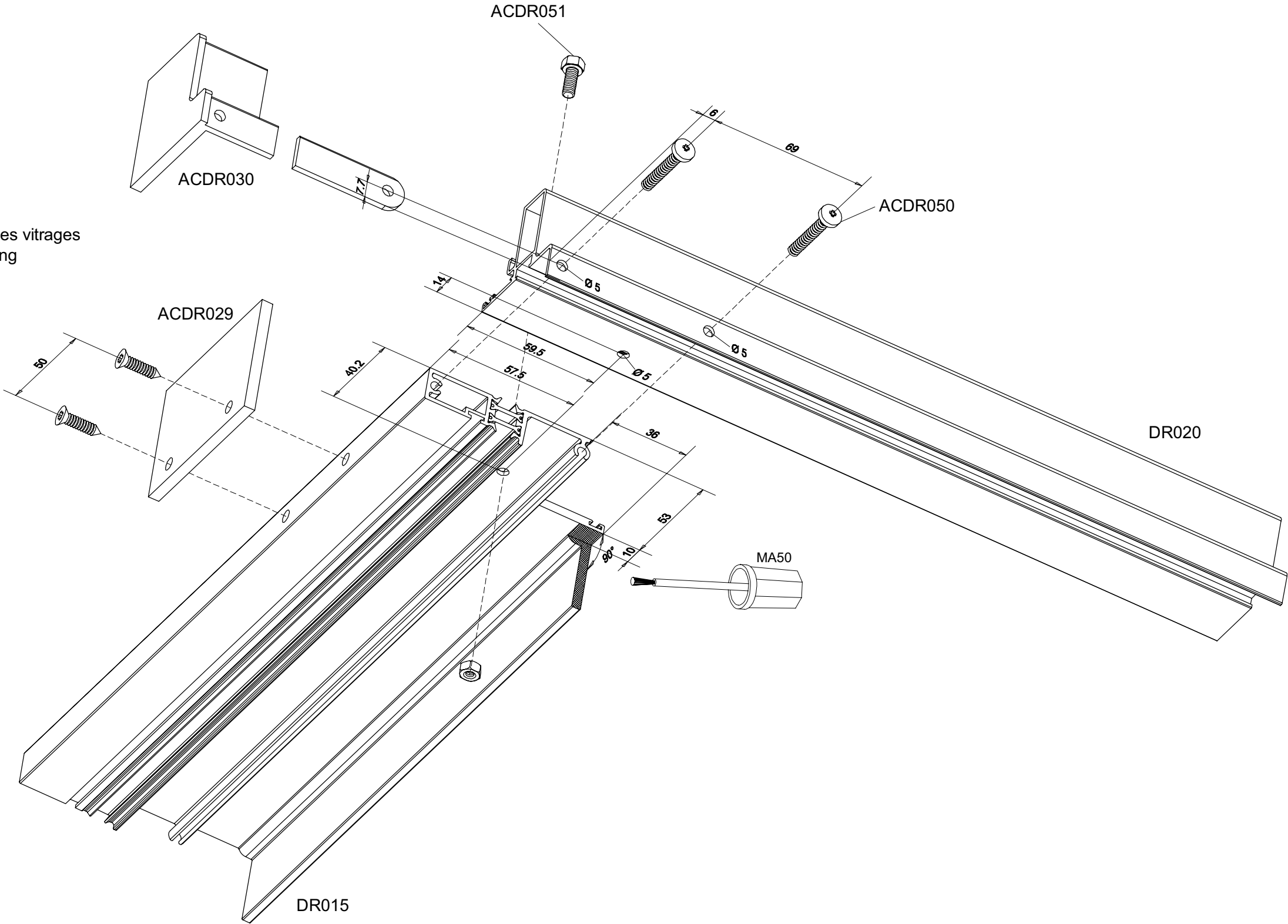


werkt01

MONTAGE ACDR030
MONTAGE ACDR030
MONTAGE ACDR030
MONTAGE ACDR030

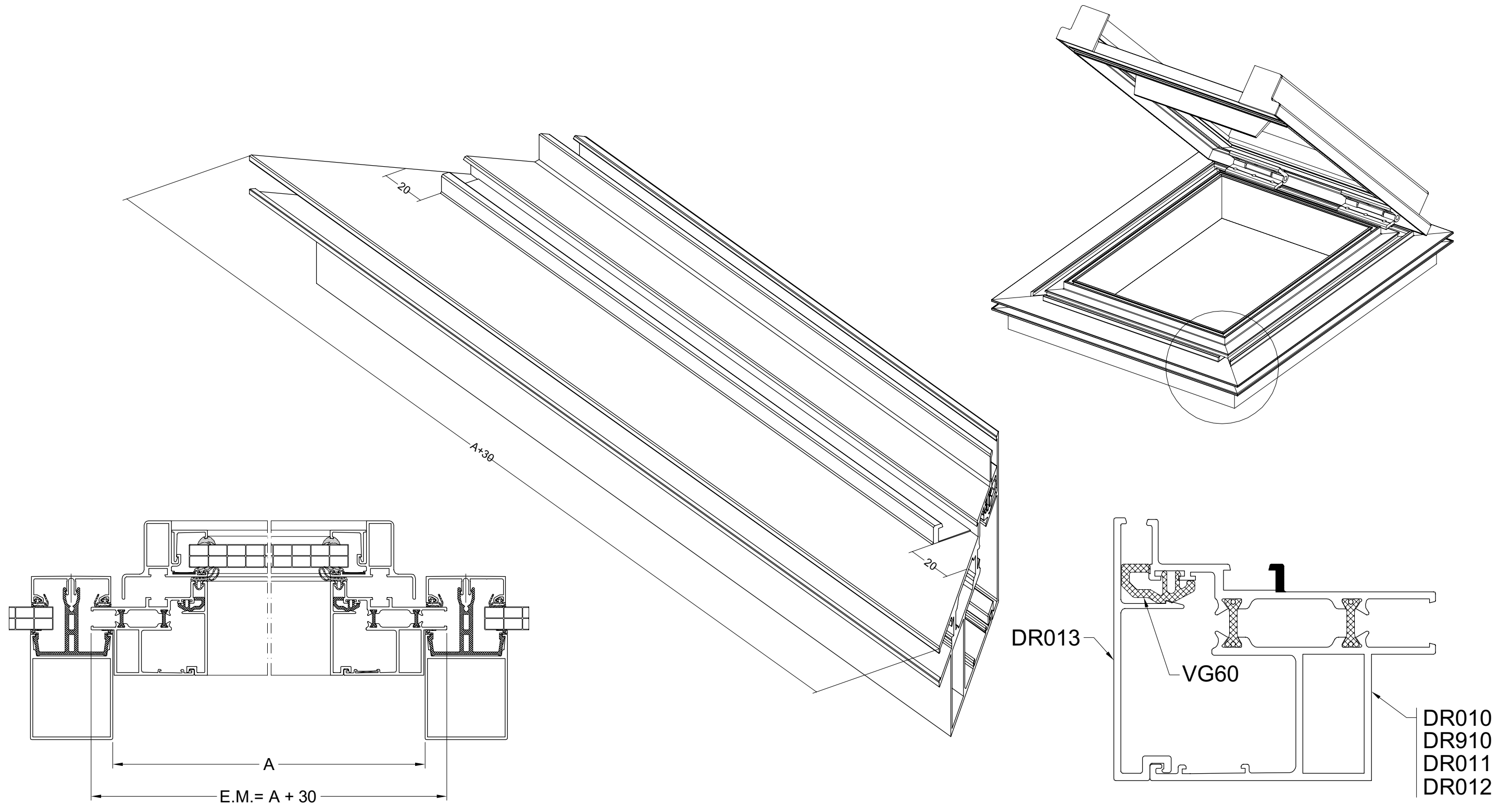
WERKTEKENINGEN - DESSINS DE CONSTRUCTION - KONSTRUKTIONZEICHNUNGEN - CONSTRUCTION DRAWINGS

ACDR029
Enkel gebruiken bij glas
Seulement utiliser avec des vitrages
Gebrauchen mit verglasung
Only for use with glass



ONTWATERING VOOR DAKRAAM
DRAINAGE POUR TABATIERE
ENTWASSERUNG FÜR DACHFENSTER
DRAINING FOR ROOF LIGHT

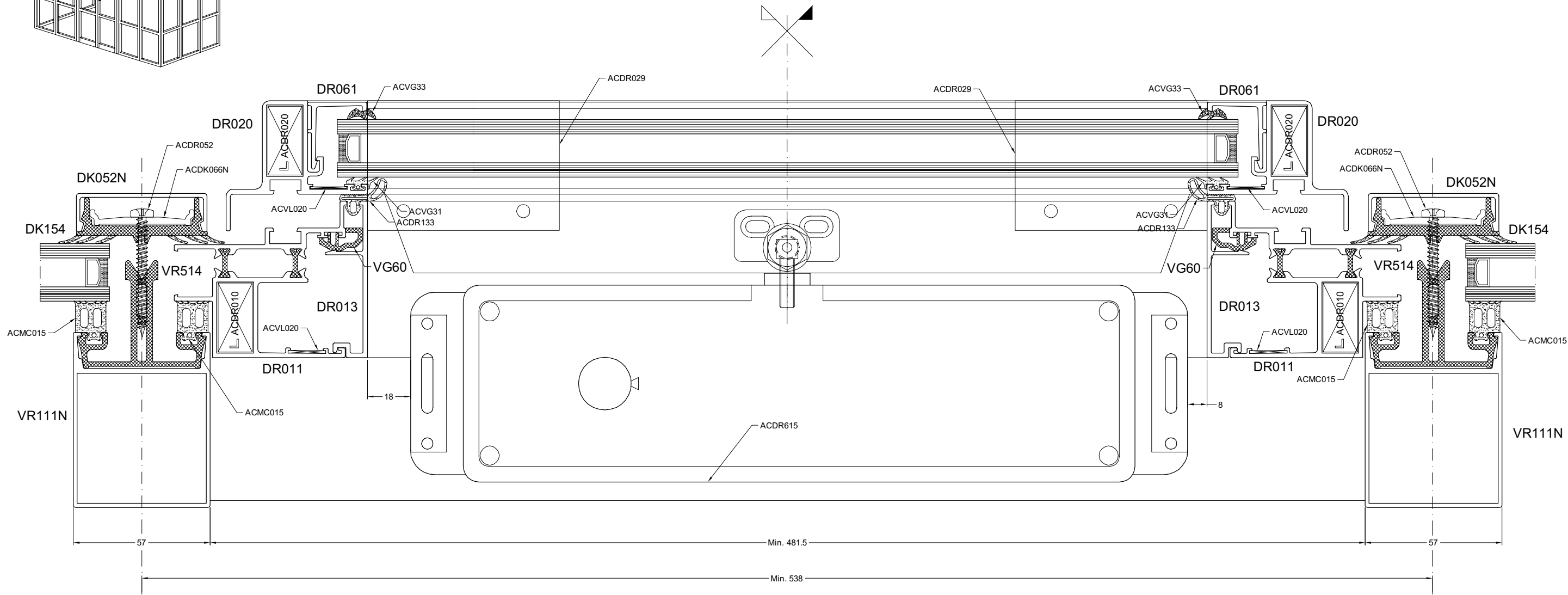
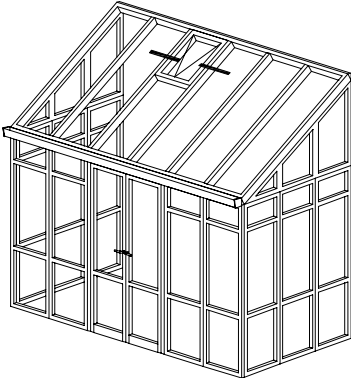
WERKTEKENINGEN - DESSINS DE CONSTRUCTION - KONSTRUKTIONZEICHNUNGEN - CONSTRUCTION DRAWINGS



afwater

MONTAGE ACDR615
MONTAGE ACDR615
MONTAGE ACDR615
MONTAGE ACDR615

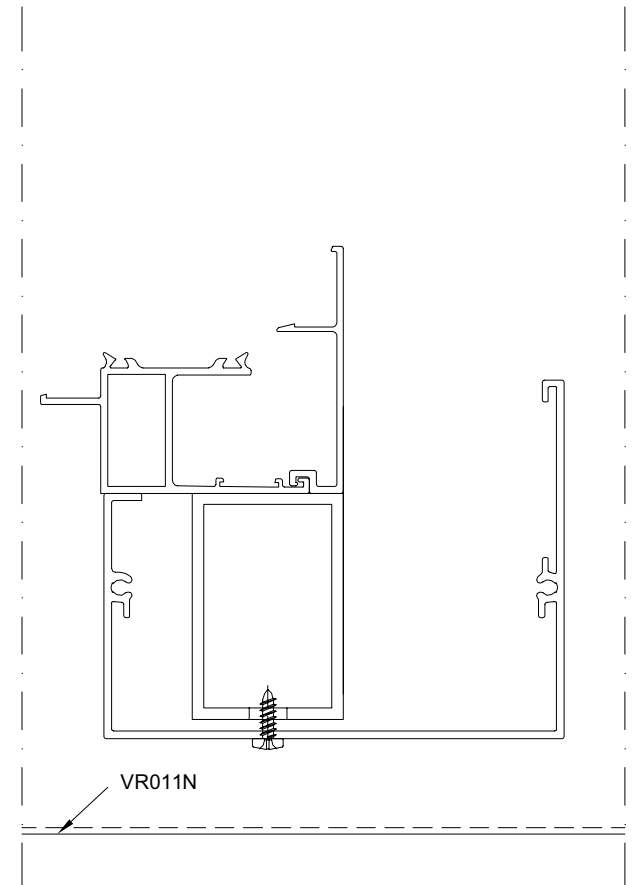
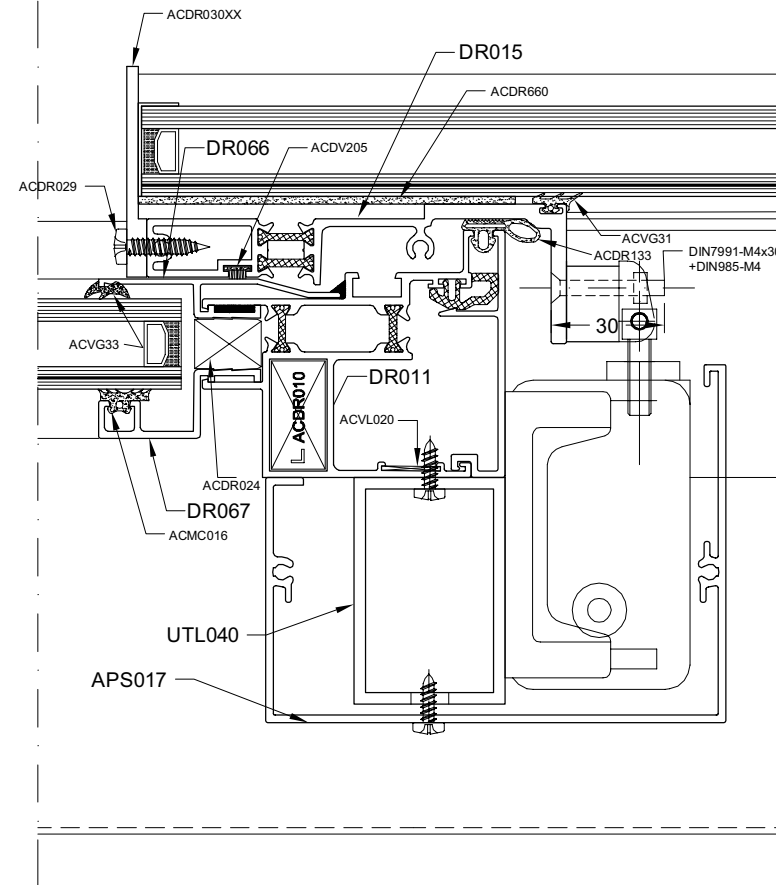
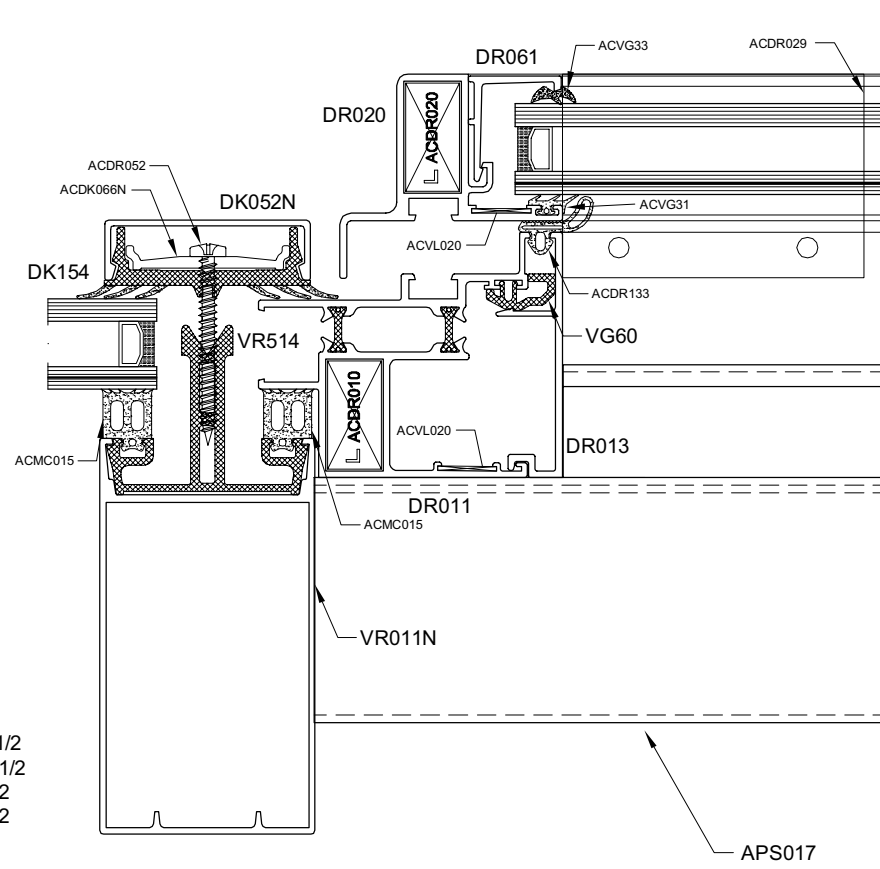
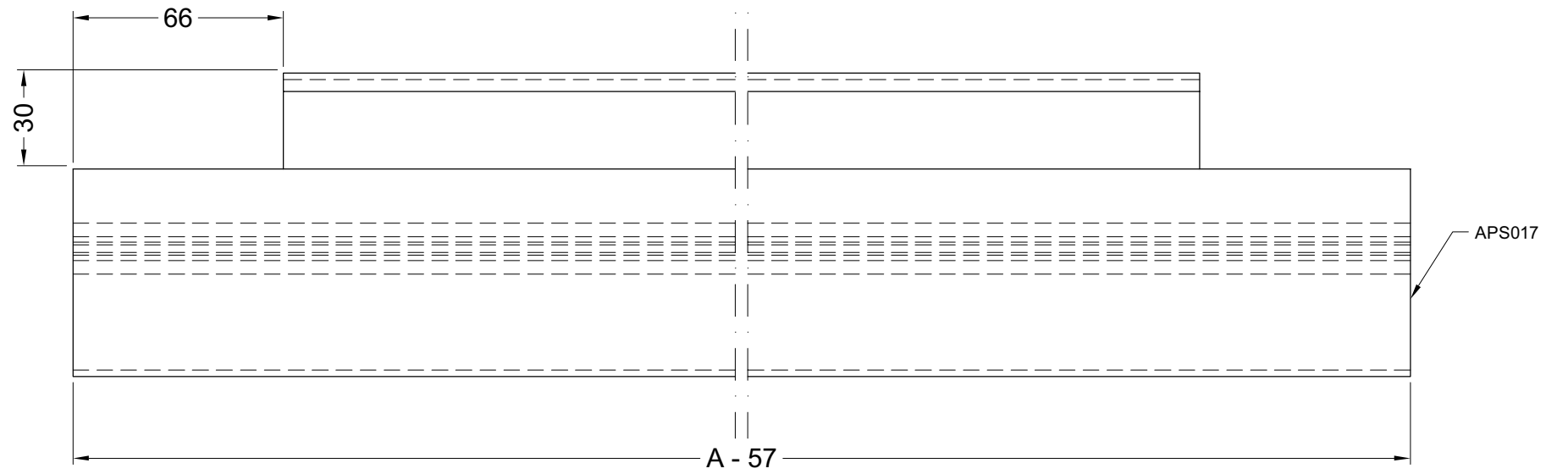
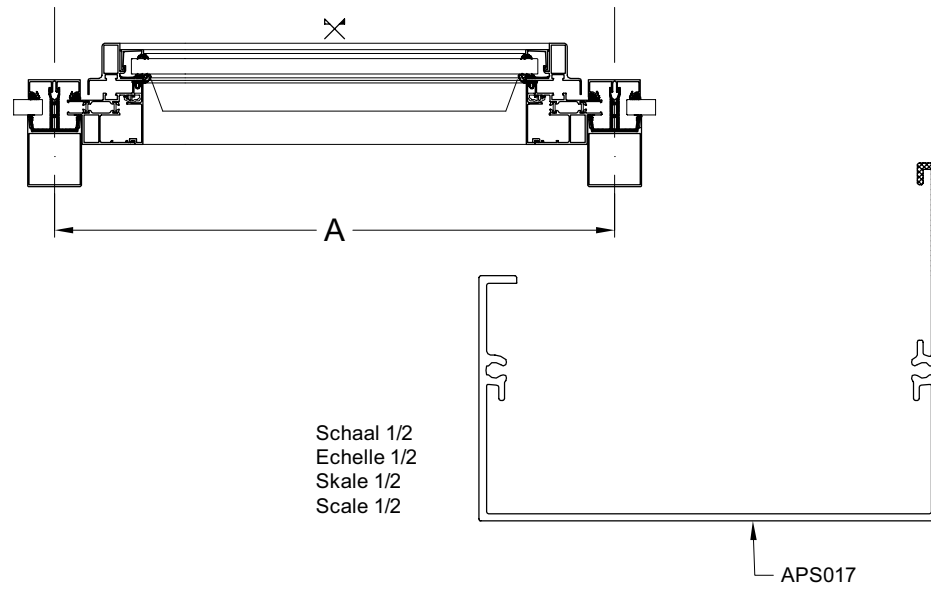
WERKTEKENINGEN - DESSINS DE CONSTRUCTION - KONSTRUKTIONZEICHNUNGEN - CONSTRUCTION DRAWINGS



werkt05

MONTAGE APS017 VOOR VR011N OF VR011V
MONTAGE APS017 POUR VR011N OU VR011V
MONTAGE APS017 FÜR VR011N ODER VR011V
MONTAGE APS017 FOR VR011N OR VR011V

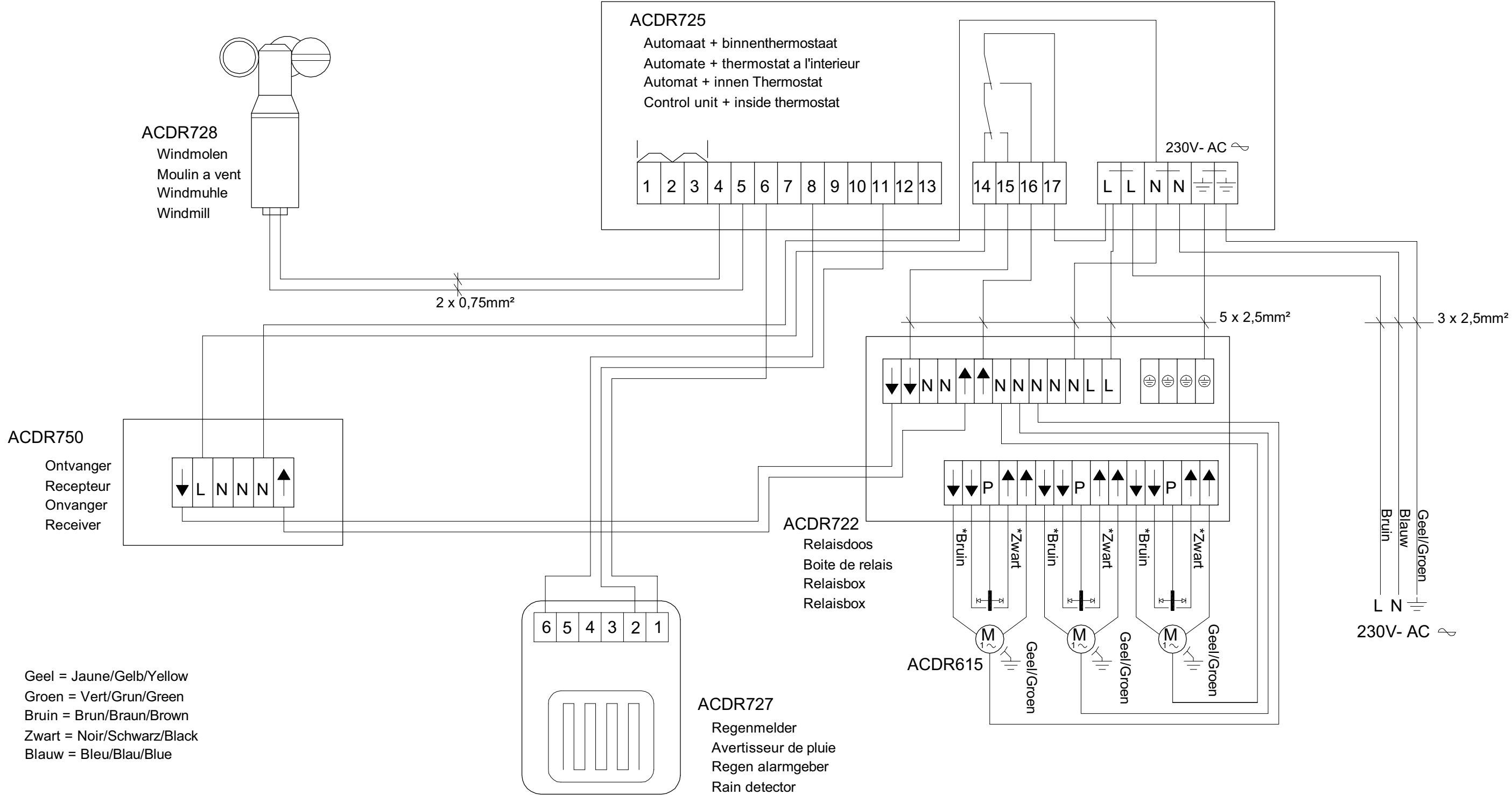
WERKTEKENINGEN - DESSINS DE CONSTRUCTION - KONSTRUKTIONZEICHNUNGEN - CONSTRUCTION DRAWINGS



ACDR053

ELECTRISCHE INSTALLATIE ACDR615
INSTALLATION ELECTRIQUE ACDR615
ELEKTRISCHER ANSCHLUSS ACDR615
ELECTRICAL INSTALLATION ACDR615

WERKTEKENINGEN - DESSINS DE CONSTRUCTION - KONSTRUKTIONZEICHNUNGEN - CONSTRUCTION DRAWINGS



Geel = Jaune/Gelb/Yellow
Groen = Vert/Grun/Green
Bruin = Brun/Braun/Brown
Zwart = Noir/Schwarz/Black
Blauw = Bleu/Blau/Blue

schema15