

# VR700

## VR700a

|                        |   |
|------------------------|---|
| PROFIELOVERZICHT ..... | 5 |
| APERCU DES PROFILES    |   |
| PROFILUEBERSICHT       |   |
| PROFILE OVERVIEW       |   |

## VR700b

|                  |    |
|------------------|----|
| TOEBEHOREN ..... | 59 |
| ACCESSOIRES      |    |
| ZUBEHORTEILE     |    |
| ACCESSORIES      |    |

## VR700c

|               |    |
|---------------|----|
| STATICA ..... | 94 |
| STATIQUE      |    |
| STATIK        |    |
| STATICS       |    |

## VR700d

|                          |    |
|--------------------------|----|
| DOORSNEDETEKENINGEN..... | 99 |
| SECTION DE NOEUDS        |    |
| PROFILKOMBINATIONEN      |    |
| SECTION DRAWINGS         |    |

## VR700e

|                    |     |
|--------------------|-----|
| ZAAGTABELLEN ..... | 131 |
| COUPES ET DEBITS   |     |
| ZUSCHNITTSTABELLEN |     |
| FABRICATION CHARTS |     |

## VR700f

|                         |     |
|-------------------------|-----|
| WERKTEKENINGEN .....    | 133 |
| DESSINS DE CONSTRUCTION |     |
| KONSTRUKTIONZEICHNUNGEN |     |
| CONSTRUCTION DRAWINGS   |     |

**aliplast**  
*member of*



**CORIALIS**

De tekeningen die voorgesteld zijn op schaal 1:1, kunnen kleine maatafwijkingen vertonen, te wijten aan de reproductietechniek van deze catalogoog.

Les dessins représentés à l'échelle 1 peuvent avoir de légères variations dimensionnelles dues aux techniques de reproduction de ce catalogue.

Die Zeichnungen im Maßstab 1:1 können aus technischen Reproduktionsgründen leichte Messung Schwankungen darstellen.

The drawings represented on a scale 1 basis may have light dimensional variations due to the reproduction of the manual.









# VR700

| DATUM      | PAGINA | OMSCHRIJVING   |
|------------|--------|--|
| DATE       | PAGE   | DESCRIPTION  |
| DATUM      | SEITE  | BESCHREIBUNG   |
| DATE       | PAGE   | DESCRIPTION  |
| 06/09/2013 | 1      | EERSTE DRUK<br>PREMIERE EDITION<br>ERSTAUSGABE<br>FIRST EDITION  |
| 27/09/2013 | 1      | HOOFDSTUK WERKTEKENINGEN TOEGEVOEGD<br>CHAPITRE DESSINS DE CONSTRUCTION AJOUTÉES<br>KAPITEL KONSTRUKTIONZEICHNUNGEN HINZUGEFUGT<br>CHAPTER CONSTRUCTION DRAWINGS ADDED                 |
| 08/10/2013 | 13     | VR9522 EN VR9523 TOEGEVOEGD<br>VR9522 ET VR9523 AJOUTÉES<br>VR9522 UND VR9523 HINZUGEFUGT<br>VR9522 AND VR9523 ADDED   |
| 10/10/2013 | 156    | WERKTEKENINGEN TOEGEVOEGD<br>DESSINS DE CONSTRUCTION AJOUTÉES<br>KONSTRUKTIONZEICHNUNGEN HINZUGEFUGT<br>CONSTRUCTION DRAWINGS ADDED  |
| 16/02/2015 | 156    | UG852 TOEGEVOEGD<br>UG852 AJOUTÉES<br>UG852 HINZUGEFUGT<br>UG852 ADDED   |
| 25/06/2015 | 27     | VR776 - VR777 - ACVR745 - ACVR796 TOEGEVOEGD<br>VR776 - VR777 - ACVR745 - ACVR796 AJOUTÉES<br>VR776 - VR777 - ACVR745 - ACVR796 HINZUGEFUGT<br>VR776 - VR777 - ACVR745 - ACVR796 ADDED |

WIJZIGINGEN - MODIFICATIONS - ÄNDERUNGEN - CHANGES

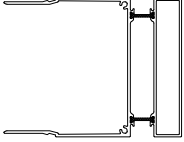

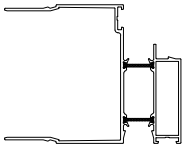
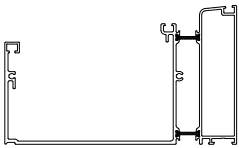
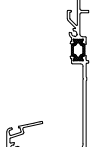
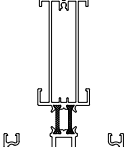

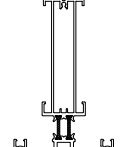


# VR700

| NUMMER<br>NUMERO<br>NUMBER | AFBEELDING<br>IMAGE<br>BILD<br>PICTURE  | OMSCHRIJVING<br>DESCRIPTION<br>BESCHREIBUNG<br>DESCRIPTION   | BLAD<br>PAGE<br>SEITE<br>PAGE | OMTREK<br>PERIM.<br>PERIM.<br>PERIM.<br>(MM) | MECH.<br>MEC.<br>MEC.<br>MEC.<br>(MM) | IX (CM4)<br>-----<br>WX (CM3) | IY (CM4)<br>-----<br>WY (CM3) | LENGTE<br>LONG.<br>LONGE<br>LENGTH<br>(M) |
|----------------------------|---|--|-------------------------------|--|---------------------------------------|-------------------------------|-------------------------------|---|
| VR040                      |    | POLYCARBONAATPROFIEL<br>PROFIL POLYCARBONATE<br>FALZLEISTENPROFIL<br>POLYCARBONATE PROFILE<br><br>16 MM  | 57                            | 138  | 65.2                                  | /                             | /                             | 7   |
| VR041                      |    | POLYCARBONAATPROFIEL<br>PROFIL POLYCARBONATE<br>FALZLEISTENPROFIL<br>POLYCARBONATE PROFILE<br><br>32 MM  | 57                            | 161.6  | 53.6                                  | /                             | /                             | 7   |
| VR042                      |    | DEKPROFIEL DUBBEL GLAS<br>PROFIELE COUVERJOINT DOUBLE VITRAGE<br>ABDECKPROFIELE DOPPELVERGLASUNG<br>COVERPROFILE FOR DOUBLE GLAZING<br><br>H = 30 MM | 57                            | 93.7   | 48.9                                  | /                             | /                             | 6   |
| VR043                      |  | POLYCARBONAATPROFIEL<br>PROFIL POLYCARBONATE<br>FALZLEISTENPROFIL<br>POLYCARBONATE PROFILE<br><br>20 MM  | 57                            | 151.5  | 71.9                                  | /                             | /                             | 7   |
| VR044                      |  | POLYCARBONAATPROFIEL<br>PROFIL POLYCARBONATE<br>FALZLEISTENPROFIL<br>POLYCARBONATE PROFILE<br><br>25 MM  | 57                            | 159.4  | 75.6                                  | /                             | /                             | 7   |
| VR047                      |  | POLYCARBONAATPROFIEL<br>PROFIL POLYCARBONATE<br>FALZLEISTENPROFIL<br>POLYCARBONATE PROFILE<br><br>55 MM  | 57                            | 241.3  | 118.6                                 | /                             | /                             | 7   |
| VR048                      |  | POLYCARBONAATPROFIEL<br>PROFIL POLYCARBONATE<br>FALZLEISTENPROFIL<br>POLYCARBONATE PROFILE<br><br>87 MM  | 57                            | 305.3  | 150.5                                 | /                             | /                             | 7   |
| VR173                      |  | OPZETPROFIEL VOOR HOEKPAAL<br>PROFIL REHAUSSEMENT POUR POTEAU A COIN<br>ERHOHUNG PROFIL FUR ECKPFOSTEN<br>ELEVATION PROFIL FOR CORNER POST           | 55                            | 200.8  | 64.8                                  | /                             | /                             | 4.7<br>5.5                                |

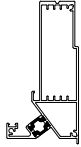
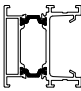



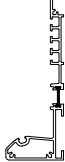
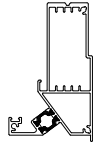
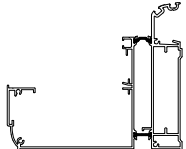
PROFIELEN - PROFILS-PROFILE - PROFILES

# VR700

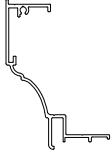
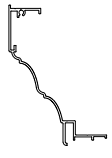
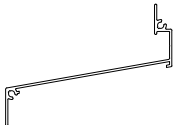
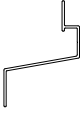
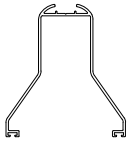


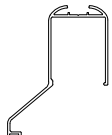
| NUMMER<br>NUMERO<br>NUMBER | AFBEELDING<br>IMAGE<br>BILD<br>PICTURE  | OMSCHRIJVING<br>DESCRIPTION<br>BESCHREIBUNG<br>DESCRIPTION   | BLAD<br>PAGE<br>SEITE<br>PAGE | OMTREK<br>PERIM.<br>PERIM.<br>PERIM.<br>(MM) | MECH.<br>MEC.<br>MECH.<br>MEC.<br>(MM) | IX (CM4)<br>-----<br>WX (CM3) | IY (CM4)<br>-----<br>WY (CM3) | LENGTE<br>LONG.<br>LANGE<br>LENGTH<br>(M) |
|----------------------------|---|--|-------------------------------|--|--|-------------------------------|-------------------------------|---|
| VR571                      |    | STEUNPROFIEL<br>PROFIL DE SUPPORT<br>STUETZPROFIL<br>SUPPORTING PROFILE<br><br>B = 110 MM  | 54                            | 776.2  | 276                                    | 181.35<br>-----<br>19.14      | 221.97<br>-----<br>40.35      | 5.5                                       |
| VR572                      |    | AFDEKPROFIEL<br>PROFIL DE RECOUVREMENT<br>ABDECKPROFIL<br>COVERING PROFILE<br><br>B = 110 MM   | 54                            | 530.6  | 243.2                                  | 25.80<br>-----<br>4.95        | 103<br>-----<br>18.74         | 2.75<br>5.5                               |
| VR573                      |    | STEUNPROFIEL<br>PROFIL DE SUPPORT<br>STUETZPROFIL<br>SUPPORTING PROFILE<br><br>B = 110 MM  | 55                            | 801  | 213.4                                  | 155.7<br>-----<br>17.71       | 170.56<br>-----<br>27.65      | 2.75<br>5.5                               |
| VR621                      |  | GOOT<br>GOUTTIERE<br>RINNENPROFIL<br>GUTTER<br><br>H = 110MM   | 16                            | 939.4  | 392.5                                  | 180.12<br>-----<br>25.68      | 619.17<br>-----<br>57.34      | 7   |
| VR625                      |  | MUURPROFIEL<br>RACCORD MURAL<br>MAUERPROFIL<br>WALL SECTION<br><br>H = 126 MM  | 23                            | 596.2  | 98                                     | 121.5<br>-----<br>14.96       | 32.5<br>-----<br>7.38         | 7   |
| VR709                      |  | LIGGER<br>CHEVRON<br>SPARREN<br>RAFTER<br><br>H = 105 MM   | 17                            | 621  | 292.9                                  | 120.73<br>-----<br>18.93      | 25.54<br>-----<br>6.46        | 7   |
| VR710                      |  | SIERKLIJKIJST VOOR LIGGER<br>PROFIL COUVERTURE DECORATIF POUR CHEVRON<br>DEKORATIV ABDECKPROFILE FUR SPARREN<br>DECORATIVE COVERPROFILE FOR ROOF BEAM<br><br>H = 70 MM | 38                            | 421.7  | 210                                    | /                             | /                             | 7   |
| VR711                      |  | LIGGER<br>CHEVRON<br>SPARREN<br>RAFTER<br><br>H = 127 MM   | 18                            | 660.8  | 236.9                                  | 192.03<br>-----<br>24.87      | 25.92<br>-----<br>6.56        | 4.5<br>7                                  |

# VR700

PROFIELEN - PROFILS-PROFILE - PROFILES

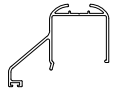
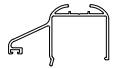
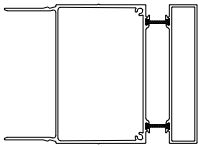
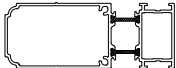
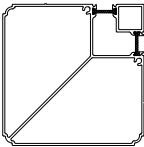
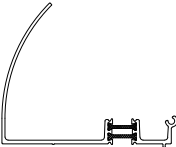
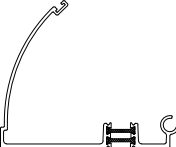
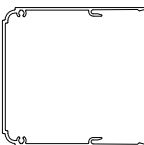
| NUMMER<br>NUMERO<br>NUMBER | AFBEELDING<br>IMAGE<br>BILD<br>PICTURE  | OMSCHRIJVING<br>DESCRIPTION<br>BESCHREIBUNG<br>DESCRIPTION                                      | BLAD<br>PAGE<br>SEITE<br>PAGE | OMTREK<br>PERIM.<br>PERIM.<br>PERIM.<br>(MM) | MECH.<br>MEC.<br>MEC.<br>MEC.<br>(MM) | IX (CM4) |          | IY (CM4) |          | LENGTE<br>LONG.<br>LANGE<br>LENGTH<br>(M) |
|----------------------------|---|---|-------------------------------|--|---------------------------------------|----------|----------|----------|----------|---|
|                            |   |   |                               |  |                                       | WX (CM3) | WY (CM3) | WX (CM3) | WY (CM3) |   |
| VR712                      |    | ZIJLIGGER<br>CHEVRON LATERALE<br>SEITENSPARREN<br>SIDE RAFTER<br><br>H = 127 MM                 | 20                            | 519  | 294.6                                 | 179.51   | 32.20    | 24.41    | 7.64     | 7   |
| VR713                      |    | OPZETPROFIEL<br>PROFIL REHAUSSEMENT<br>ERHOHUNG PROFIL<br>ELEVATION PROFILE<br><br>H = 54 MM    | 49                            | 371.3  | 71.1                                  | 15.27    | 12.33    | 5.66     | 4.36     | 6.5                                       |
| VR714                      |    | KLIPSPROFIEL VOOR VR713<br>CLIP POUR VR713<br>ABDECKPROFIL FÜR VR713<br>CLIP PROFILE FOR VR713  | 49                            | 141.1  | 52.7                                  | /        | /        | /        | /        | 7   |
| VR716                      |  | MUURPROFIEL<br>RACCORD MURAL<br>MAUERPROFIL<br>WALL SECTION<br><br>H = 245 MM                   | 21                            | 1058.5                                       | 37.5                                  | 551.3    | 19.15    | 39.82    | 4.17     | 7   |
| VR717                      |  | VERHOOGPROFIEL<br>PROFIL REHAUSSEMENT<br>ERHOHUNGSPROFIEL<br>ELEVATION PROFILE<br><br>H = 14 MM | 50                            | 100.5  | 82.3                                  | /        | /        | /        | /        | 7   |
| VR718                      |  | MUURPROFIEL<br>RACCORD MURAL<br>MAUERPROFIL<br>WALL SECTION<br><br>H = 150 MM                   | 22                            | 594.4  | 372.8                                 | 169.56   | 16.96    | 39.82    | 4.44     | 7   |
| VR719                      |  | ZIJLIGGER<br>CHEVRON LATERALE<br>SEITENSPARREN<br>SIDE RAFTER<br><br>H = 105 MM                 | 19                            | 475  | 250.6                                 | 111.32   | 29.6     | 18.38    | 7.13     | 7   |
| VR720                      |  | GOOT<br>GOUTTIERE<br>RINNENPROFIL<br>GUTTER<br><br>H = 154.5 MM                                 | 15                            | 1197.4                                       | 349.3                                 | 407.02   | 622.15   | 41.89    | 50.13    | 4.5<br>7                                  |

# VR700

| NUMMER<br>NUMERO<br>NUMMER<br>NUMBER | AFBEELDING<br>IMAGE<br>BILD<br>PICTURE  | OMSCHRIJVING<br>DESCRIPTION<br>BESCHREIBUNG<br>DESCRIPTION   | BLAD<br>PAGE<br>SEITE<br>PAGE | OMTREK<br>PERIM.<br>PERIM.<br>PERIM.<br>(MM) | MECH.<br>MEC.<br>MECH.<br>MEC.<br>(MM) | IX (CM4)<br>-----<br>WX (CM3) | IY (CM4)<br>-----<br>WY (CM3) | LENGTE<br>LONG.<br>LANGE<br>LENGTH<br>(M) |
|--------------------------------------|---|--|-------------------------------|--|--|-------------------------------|-------------------------------|---|
| VR723                                |    | VERHOOGSTUK GOOT<br>REHAUSSE GOUTTIERE<br>ERHOHUNG RINNE<br>RAISING PROFILE<br><br>H = 99 MM                             | 40                            | 439.1  | 153.8                                  | /                             | /                             | 7   |
| VR724                                |    | VERHOOGSTUK GOOT<br>REHAUSSE GOUTTIERE<br>ERHOHUNG RINNE<br>RAISING PROFILE<br><br>H = 129 MM                            | 41                            | 521.7  | 189.1                                  | /                             | /                             | 7   |
| VR728                                |    | AFDEKKAP MUURPROFIEL<br>CAPUCHON POUR PROFIL MURALE<br>ABDECKKAPPE MAUERPROFIL<br>CAP FOR WALL PROFILE<br><br>B = 110 MM | 45                            | 402.2  | 186.1                                  | /                             | /                             | 7   |
| VR729                                |  | AFDEKKAP MUURPROFIEL<br>CAPUCHON POUR PROFIL MURALE<br>ABDECKKAPPE MAUERPROFIL<br>CAP FOR WALL PROFILE<br><br>B = 50 MM  | 45                            | 245.2  | 126.5                                  | /                             | /                             | 7   |
| VR730                                |  | DEKPROFIEL<br>CAPOT<br>ABDECKPROFIL<br>COVERPROFILE<br><br>H = 87.5 MM   | 28                            | 509.5  | 200.6                                  | 32.61<br>-----<br>7.1         | 22.95<br>-----<br>5.81        | 7   |
| VR731                                |  | DEKPROFIEL<br>CAPOT<br>ABDECKPROFIL<br>COVERPROFILE<br><br>H = 54.5 MM   | 29                            | 502.8  | 134.6                                  | 10.26<br>-----<br>3.66        | 23.17<br>-----<br>5.86        | 7   |
| VR732                                |  | DEKPROFIEL<br>CAPOT<br>ABDECKPROFIL<br>COVERPROFILE<br><br>H = 32.5 MM31   | 30                            | 441.1  | 98.4                                   | 4.68<br>-----<br>1.81         | 18.04<br>-----<br>4.56        | 7   |
| VR735                                |  | DEKPROFIEL ZIJLIGGER<br>CAPOT RIVE<br>ABDECKPROFIL SEITENSPPARREN<br>COVERPROFILE SIDE RAFTER<br><br>H = 87.5 MM         | 31                            | 430  | 170.4                                  | 25.06<br>-----<br>4.72        | 16.05<br>-----<br>4.37        | 7   |

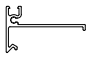









# VR700

| NUMMER<br>NUMERO<br>NUMBER<br>NUMBER | AFBEELDING<br>IMAGE<br>BILD<br>PICTURE  | OMSCHRIJVING<br>DESCRIPTION<br>BESCHREIBUNG<br>DESCRIPTION   | BLAD<br>PAGE<br>SEITE<br>PAGE | OMTREK<br>PERIM.<br>PERIM.<br>PERIM.<br>(MM) | MECH.<br>MEC.<br>MEC.<br>MEC.<br>(MM) | IX (CM4)<br>-----<br>WX (CM3) | IY (CM4)<br>-----<br>WY (CM3) | LENGTE<br>LONG.<br>LANGE<br>LENGTH<br>(M) |
|--------------------------------------|---|--|-------------------------------|--|---------------------------------------|-------------------------------|-------------------------------|---|
| VR736                                |    | DEKPROFIEL ZIJLIGGER<br>CAPOT RIVE<br>ABDECKPROFIL SEITENSPPAREN<br>COVERPROFILE SIDE RAFTER<br><br>H = 54.5 MM                              | 32                            | 377.6  | 123.4                                 | 7.54<br>-----<br>2.35         | 13.96<br>-----<br>3.97        | 7   |
| VR737                                |    | DEKPROFIEL ZIJLIGGER<br>CAPOT RIVE<br>ABDECKPROFIL SEITENSPPAREN<br>COVERPROFILE SIDE RAFTER<br><br>H = 32.5 MM                              | 33                            | 349.3  | 103.2                                 | 3.21<br>-----<br>1.34         | 12.36<br>-----<br>3.39        | 7   |
| VR741                                |    | STEUNPROFIEL INTEGRAL<br>PROFIL DE SUPPORT VOLET ROULANT<br>STUETZPROFIL INTEGRAL<br>SUPPORTING PROFILE INTEGRAL<br><br>B = 110 MM           | 52                            | 622.3  | 332.5                                 | 285.17<br>-----<br>29.83      | 252.19<br>-----<br>45.45      | 5.5                                       |
| VR742                                |  | STEUNPROFIEL<br>PROFIL DE SUPPORT<br>STUETZPROFIL<br>SUPPORTING PROFILE<br><br>B = 43 MM   | 53                            | 390  | 221.8                                 | 44.55<br>-----<br>20.25       | 120.2<br>-----<br>32.5        | 6.5                                       |
| VR743                                |  | HOEKPAAL<br>POTEAU A COIN<br>ECKPOSTEN<br>CORNER POST<br><br>B = 112 MM  | 53                            | 456.6  | 402.9                                 | 108.08<br>-----<br>27.45      | 181.83<br>-----<br>27.19      | 5.5                                       |
| VR744                                |  | VARIABLE HOEKPROFIEL MANNELIJK<br>ANGLE VARIABLE MASCULIN<br>VARIABLE ECKPROFIL MANNLICH<br>VARIABLE CORNER PROFILE MALE<br><br>B = 112 MM   | 56                            | 518.7  | 223.4                                 | 87.06<br>-----<br>12.64       | 41.82<br>-----<br>5.69        | 7   |
| VR745                                |  | VARIABLE HOEKPROFIEL VROUWELIJK<br>ANGLE VARIABLE FEMININ<br>VARIABLE ECKPROFIL WEIBLICH<br>VARIABLE CORNER PROFILE FEMALE<br><br>B = 112 MM | 56                            | 573.8  | 220                                   | 90.5<br>-----<br>13.09        | 55.78<br>-----<br>7.48        | 7   |
| VR746                                |  | AFDEKPROFIEL<br>PROFIL DE RECOUVREMENT<br>ABDECKPROFIL<br>COVERING PROFILE<br><br>B = 110 MM   | 52                            | 728.7  | 328                                   | 163.23<br>-----<br>29.67      | 94.17<br>-----<br>12.39       | 5.5                                       |




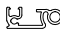
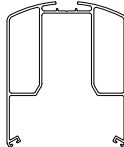
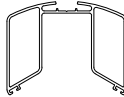

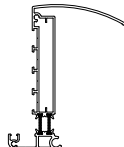
PROFIELEN - PROFILS-PROFILE - PROFILES

# VR700

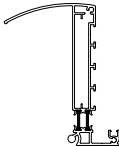
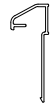



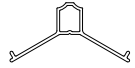
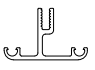

| NUMMER<br>NUMERO<br>NUMMER<br>NUMBER | AFBEELDING<br>IMAGE<br>BILD<br>PICTURE  | OMSCHRIJVING<br>DESCRIPTION<br>BESCHREIBUNG<br>DESCRIPTION  | BLAD<br>PAGE<br>SEITE<br>PAGE | OMTREK<br>PERIM.<br>PERIM.<br>PERIM.<br>(MM) | MECH.<br>MEC.<br>MECH.<br>MEC.<br>(MM) | IX (CM4)<br>-----<br>WX (CM3) | IY (CM4)<br>-----<br>WY (CM3) | LENGTE<br>LONG.<br>LANGE<br>LENGTH<br>(M) |
|--------------------------------------|---|---|-------------------------------|--|--|-------------------------------|-------------------------------|---|
| VR750                                |    | OPZETPROFIEL<br>ASSEMBLAGE PROFIL<br>ZUSAMMENFUGUNG PROFIL<br>ASSEMBLAGE PROFILE<br><br>H = 30 MM | 51                            | 212.3  | 32.8                                   | /                             | /                             | 7   |
| VR751                                |    | RINGBALK<br>SABLIERE<br>RINGBALKEN<br>RINGBEAM<br><br>H = 240 MM                                  | 47                            | 856.5  | 192                                    | 907.46<br>-----<br>71.12      | 87.63<br>-----<br>24.63       | 7   |
| VR752                                |    | GOOT<br>GOUTTIERE<br>RINNENPROFIL<br>GUTTER<br><br>H = 78 MM                                      | 48                            | 961.4  | 519.3                                  | 38.57<br>-----<br>8.57        | 984.59<br>-----<br>79.49      | 7   |
| VR753                                |  | DEKSEL VOORKANT<br>LAMBREQUIN<br>ABSCHLIESSPROFIL<br>COVER FRONT                                  | 48                            | 565.5  | 278.6                                  | 398.73<br>-----<br>31.13      | 11.13<br>-----<br>2.62        | 7   |
| VR754                                |  | SLUITPROFIEL ONDERKANT<br>CLOSOIR DESSOUS<br>ABDICHTUNGSPROFIL UNTEN<br>CLOSER AT THE BOTTOM      | 48                            | 381.6  | 141                                    | 1.15<br>-----<br>0.59         | 132.32<br>-----<br>15.99      | 7   |
| VR760                                |  | GLASLAT<br>PARCLOSE<br>GLASLEISTE<br>GLAZING BEAD   | 36                            | 136.9  | 41.7                                   | /                             | /                             | 7   |
| VR762                                |  | GLASLAT<br>PARCLOSE<br>GLASLEISTE<br>GLAZING BEAD   | 36                            | 148.9  | 41.7                                   | /                             | /                             | 7   |
| VR764                                |  | GLASLAT<br>PARCLOSE<br>GLASLEISTE<br>GLAZING BEAD   | 36                            | 166.9  | 41.7                                   | /                             | /                             | 7   |

# VR700



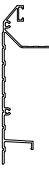



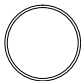
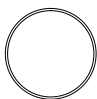
PROFIELEN - PROFILS-PROFILE - PROFILES

| NUMMER<br>NUMERO<br>NUMBER | AFBEELDING<br>IMAGE<br>BILD<br>PICTURE  | OMSCHRIJVING<br>DESCRIPTION<br>BESCHREIBUNG<br>DESCRIPTION  | BLAD<br>PAGE<br>SEITE<br>PAGE | OMTREK<br>PERIM.<br>PERIM.<br>PERIM.<br>(MM) | MECH.<br>MEC.<br>MEC.<br>MEC.<br>(MM) | IX (CM4)<br>-----<br>WX (CM3) | IY (CM4)<br>-----<br>WY (CM3) | LENGTE<br>LONG.<br>LANGE<br>LENGTH<br>(M) |
|----------------------------|---|---|-------------------------------|--|---------------------------------------|-------------------------------|-------------------------------|---|
| VR766                      |    | GLASLAT<br>PARCLOSE<br>GLASLEISTE<br>GLAZING BEAD   | 36                            | 122.5  | 41.7                                  | /                             | /                             | 7   |
| VR768                      |    | GLASLAT<br>PARCLOSE<br>GLASLEISTE<br>GLAZING BEAD   | 36                            | 202.9  | 41.7                                  | /                             | /                             | 7   |
| VR770                      |    | NOORDBOOM<br>ARÉTIER<br>GRATSPARREN<br>HIP-RAFTER<br><br>H = 128.5 MM   | 25                            | 477.8  | 267.5                                 | 143.23<br>-----<br>21.82      | 6.01<br>-----<br>3.51         | 7   |
| VR771                      |  | SCHARNIERPROFIEL VOOR VR770 EN VR775<br>PROFIL CHARNIERE POUR VR770 ET VR775<br>SCHARNIERPROFIL FÜR VR770 UND VR775<br>HINGE PROFILE FOR VR770 AND VR775<br><br>H = 14 MM | 26                            | 170.17                                       | 43.2                                  | 0.30<br>-----<br>2.34         | 0.37<br>-----<br>1.17         | 7   |
| VR772                      |  | DEKPROFIEL VOOR NOORDBOOM<br>CAPOT POUR ARÉTIER<br>ABDECKPROFIL FÜR GRATSPARREN<br>COVERPROFILE FOR HIP-RAFTER<br><br>H = 87.5 MM   | 34                            | 595.8  | 241.4                                 | 57.96<br>-----<br>10.14       | 62.29<br>-----<br>15.77       | 7   |
| VR773                      |  | DEKPROFIEL VOOR NOORDBOOM<br>CAPOT POUR ARÉTIER<br>ABDECKPROFIL FÜR GRATSPARREN<br>COVERPROFILE FOR HIP-RAFTER<br><br>H = 61.5 MM   | 35                            | 420.3  | 172                                   | 20.58<br>-----<br>5.9         | 42.74<br>-----<br>10.82       | 7   |
| VR775                      |  | NOORDBOOM<br>ARÉTIER<br>GRATSPARREN<br>HIP-RAFTER<br><br>H = 106.5 MM   | 24                            | 435.8  | 223.5                                 | 87.29<br>-----<br>16.33       | 5.35<br>-----<br>3.12         | 7   |
| VR776                      |  | NOORDBOOM<br>ARÉTIER<br>GRATSPARREN<br>HIP-RAFTER<br><br>H = 134 MM   | 27                            | 695.3  | 286.5                                 | 218.68<br>-----<br>32.32      | 39.09<br>-----<br>5.5         | 7   |

# VR700

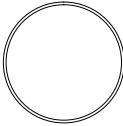
| NUMMER<br>NUMERO<br>NUMMER<br>NUMBER | AFBEELDING<br>IMAGE<br>BILD<br>PICTURE  | OMSCHRIJVING<br>DESCRIPTION<br>BESCHREIBUNG<br>DESCRIPTION   | BLAD<br>PAGE<br>SEITE<br>PAGE | OMTREK<br>PERIM.<br>PERIM.<br>PERIM.<br>(MM) | MECH.<br>MEC.<br>MECH.<br>MEC.<br>(MM) | IX (CM4)<br>-----<br>WX (CM3) | IY (CM4)<br>-----<br>WY (CM3) | LENGTE<br>LONG.<br>LANGE<br>LENGTH<br>(M) |
|--------------------------------------|---|--|-------------------------------|--|--|-------------------------------|-------------------------------|---|
| VR777                                |    | NOORDBOOM<br>ARÊTIER<br>GRATSPARREN<br>HIP-RAFTER<br><br>H = 131.3 MM  | 27                            | 655.6  | 271.9                                  | 215.06<br>-----<br>32.74      | 37.51<br>-----<br>5.38        | 7   |
| VR778                                |    | GLASLAT<br>PARCLOSE<br>GLASLEISTE<br>GLAZING BEAD  | 37                            | 216.5  | 38                                     | /                             | /                             | 7   |
| VR779                                |    | GLASLAT<br>PARCLOSE<br>GLASLEISTE<br>GLAZING BEAD  | 37                            | 264.2  | 35.8                                   | /                             | /                             | 7   |
| VR780                                |  | DEKPROFIEL<br>CAPOT<br>ABDECKPROFIL<br>COVERPROFILE<br><br>H = 36 MM   | 39                            | 300.6  | 150.7                                  | /                             | /                             | 7   |
| VR781                                |  | DEKPROFIEL<br>CAPOT<br>ABDECKPROFIL<br>COVERPROFILE<br><br>H = 48 MM   | 39                            | 352.7  | 174                                    | /                             | /                             | 7   |
| VR782                                |  | STEUN VOOR VR780 EN VR781<br>SUPPORT POUR VR780 ET VR781<br>STUTZE FÜR VR780 UND VR781<br>SUPPORT FOR VR780 AND VR781<br><br>H = 48 MM | 39                            | 228.7  | /                                      | /                             | /                             | 7   |
| VR784                                |  | REGEL TUSSEN LIGGERS<br>TRAVERSE ENTRE CHEVRONS<br>RIEGEL ZWISCHEN SPARREN<br>TRANSOM BETWEEN RAFTER<br><br>H = 34 MM                  | 50                            | 435.8  | 223.5                                  | 87.29<br>-----<br>16.33       | 5.35<br>-----<br>3.12         | 7   |
| VR798                                |  | VERSTEVIING<br>BARRE DE RENFORCEMENT<br>VERSTÄRKUNG<br>REINFORCEMENT<br><br>H = 63 MM  | 46                            | 134  | /                                      | 25<br>-----<br>2.646          | 0.1<br>-----<br>0.168         | 4   |

# VR700

| NUMMER<br>NUMERO<br>NUMBER | AFBEELDING<br>IMAGE<br>BILD<br>PICTURE  | OMSCHRIJVING<br>DESCRIPTION<br>BESCHREIBUNG<br>DESCRIPTION                                     | BLAD<br>PAGE<br>SEITE<br>PAGE | OMTREK<br>PERIM.<br>PERIM.<br>PERIM.<br>(MM) | MECH.<br>MEC.<br>MEC.<br>MEC.<br>(MM) | IX (CM4)<br>WX (CM3) | IY (CM4)<br>WY (CM3) | LENGTE<br>LONG.<br>LANGE<br>LENGTH<br>(M) |
|----------------------------|---|--|-------------------------------|--|---------------------------------------|----------------------|----------------------|---|
| VR799                      |    | VERSTEVIJING<br>BARRE DE RENFORCEMENT<br>VERSTÄRKUNG<br>REINFORCEMENT<br><br>H = 85 MM         | 46                            | 178  | /                                     | 61.41<br>4.81        | 0.1<br>0.22          | 4   |
| VR9522                     |    | VERHOOGSTUK GOOT<br>REHAUSSE GOUTTIERE<br>ERHOHUNG RINNE<br>RAISING PROFILE<br><br>H = 129 MM  | 43                            | 462.9  | 176.5                                 | 63.72<br>8.99        | 4.45<br>1.68         | 7   |
| VR9523                     |    | VERHOOGSTUK GOOT<br>REHAUSSE GOUTTIERE<br>ERHOHUNG RINNE<br>RAISING PROFILE<br><br>H = 168 MM  | 44                            | 641.5  | 187.8                                 | 7.26<br>1.69         | 155.87<br>17.58      | 7   |
| VT123                      |  | VERHOOGSTUK GOOT<br>REHAUSSE GOUTTIERE<br>ERHOHUNG RINNE<br>RAISING PROFILE<br><br>H = 80 MM   | 42                            | 304.2  | 117                                   | /                    | /                    | 7   |
| UG852                      |  | AFWERKINGSPROFIEL<br>PROFILE DE FINITION<br>AUSFUEHRUNGSPROFIL<br>FINISHING PROFILE<br><br>PVC | 28                            | 44   | /                                     | /                    | /                    | 6.5                                       |
| UN001                      |  | AFWERKINGSPROFIEL<br>PROFILE DE FINITION<br>AUSFUEHRUNGSPROFIL<br>FINISHING PROFILE            | 28                            | 44   | 16.5                                  | /                    | /                    | 7   |
| UTL020                     |  | RONDE BUIS<br>TUBE ROND<br>RUNDROHRE<br>ROUND TUBE<br><br>50X1.5                               | 58                            | 157.1  | 157.1                                 | /                    | /                    | 6   |
| UTL068                     |  | RONDE BUIS<br>TUBE ROND<br>RUNDROHRE<br>ROUND TUBE<br><br>60X1.5                               | 58                            | 188.5  | 188.5                                 | /                    | /                    | 6.6                                       |

PROFIELEN - PROFILS-PROFILE - PROFILES

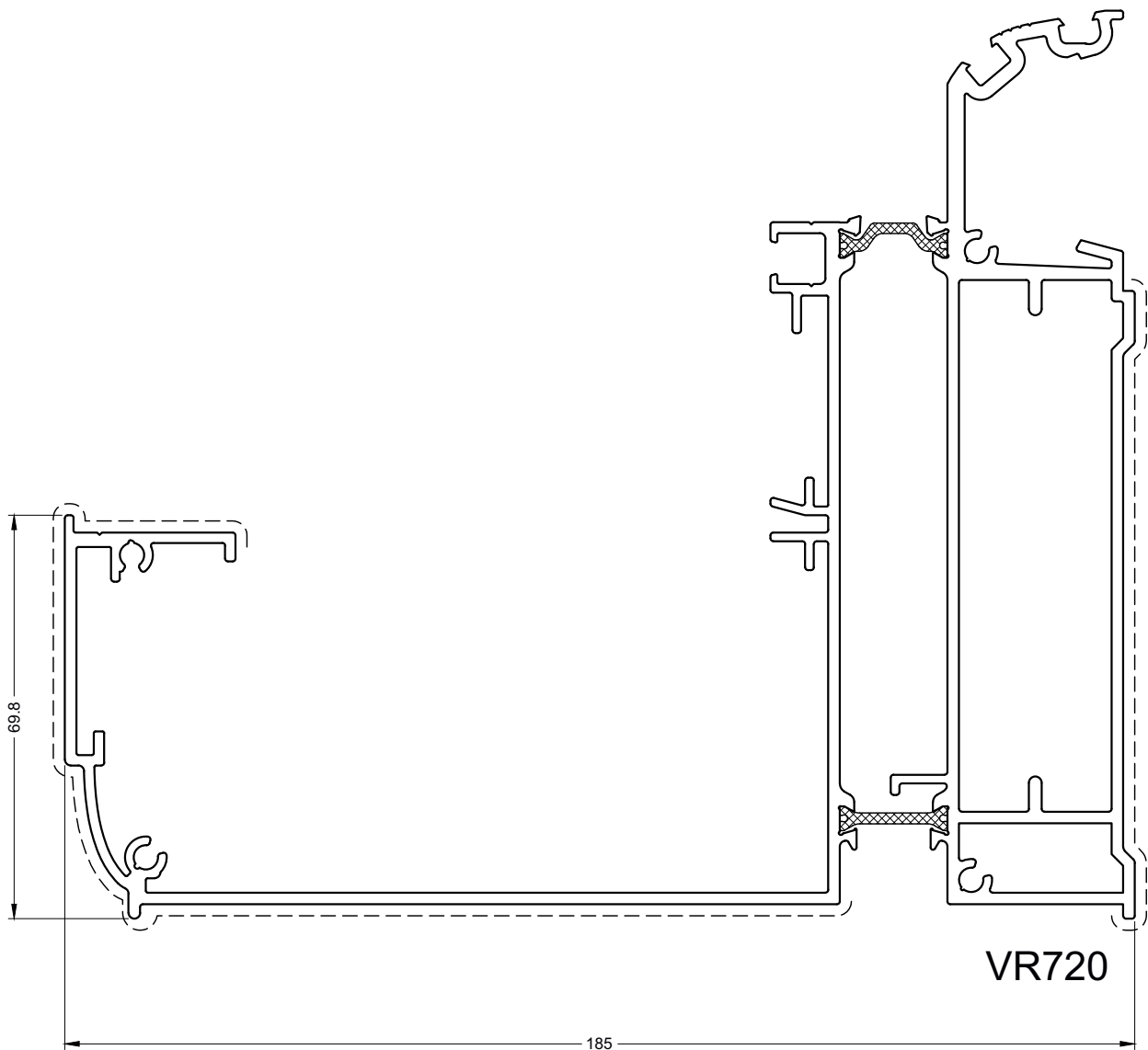
# VR700

| NUMMER<br>NUMERO<br>NUMBER<br>NUMBER | AFBEELDING<br>IMAGE<br>BILD<br>PICTURE  | OMSCHRIJVING<br>DESCRIPTION<br>BESCHREIBUNG<br>DESCRIPTION       | BLAD<br>PAGE<br>SEITE<br>PAGE | OMTREK<br>PERIM.<br>PERIM.<br>PERIM.<br>(MM) | MECH.<br>MEC.<br>MECH.<br>MEC.<br>(MM) | IX (CM4)<br>-----<br>WX (CM3) | IY (CM4)<br>-----<br>WY (CM3) | LENGTE<br>LONG.<br>LANGE<br>LENGTH<br>(M) |
|--------------------------------------|---|--|-------------------------------|--|--|-------------------------------|-------------------------------|---|
| <b>UTL069</b>                        |  | RONDE BUIS<br>TUBE ROND<br>RUNDROHRE<br>ROUND TUBE<br><br>60X1.8 | 58                            | 251.3  | 251.3                                  | /                             | /                             | 6.6                                       |

# VR700

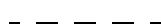
GOOT  
GOUTTIERE  
RINNENPROFIL  
GUTTER

PROFIELN - PROFILS-PROFILE - PROFILES



VR720

**aliplast**  
member of



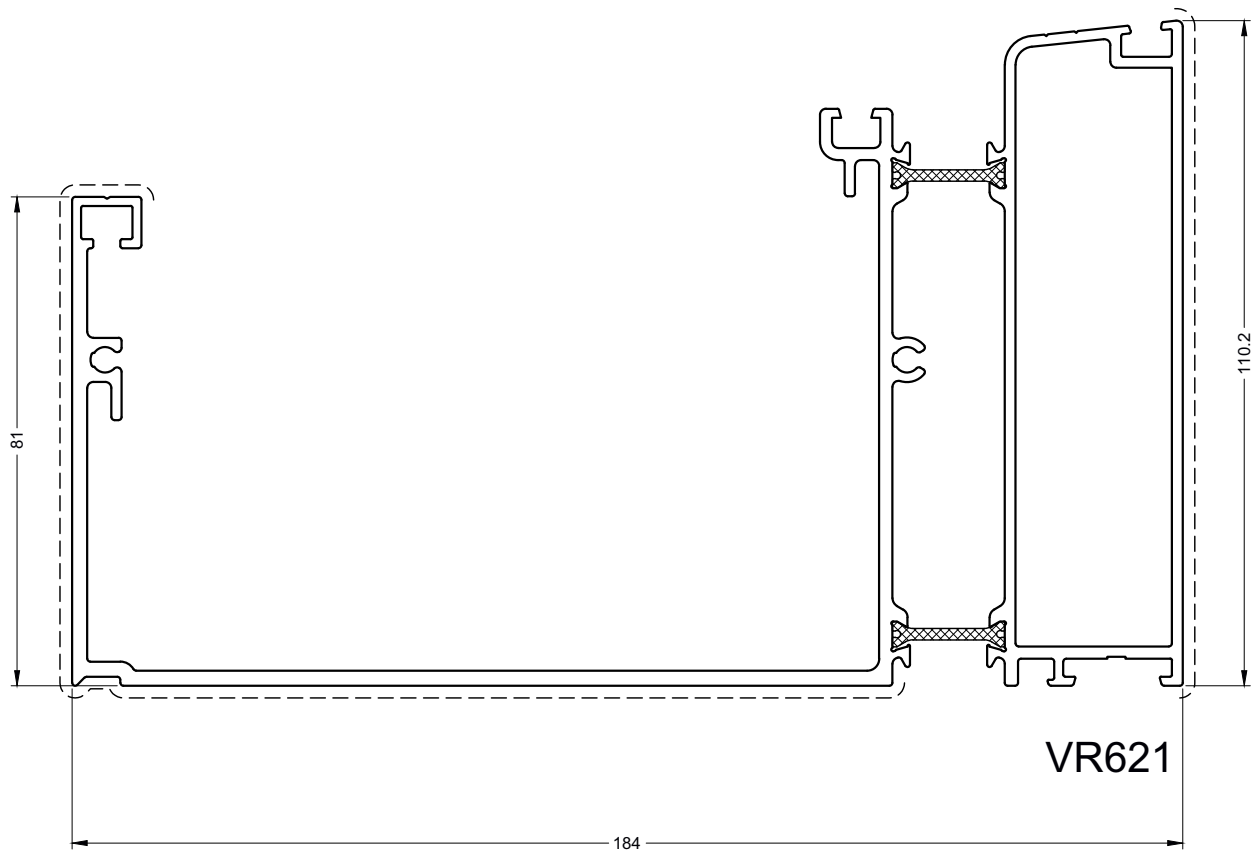
Primaire zichtzijde  
Côté visible primaire

Primäre sichtbare Seite  
Primary visible side

25/6/15

# VR700

GOOT  
GOUTTIERE  
RINNENPROFIL  
GUTTER



VR621

16



Primaire zichtzijde  
Côté visible primaire

Primäre sichtbare Seite  
Primary visible side

25/6/15

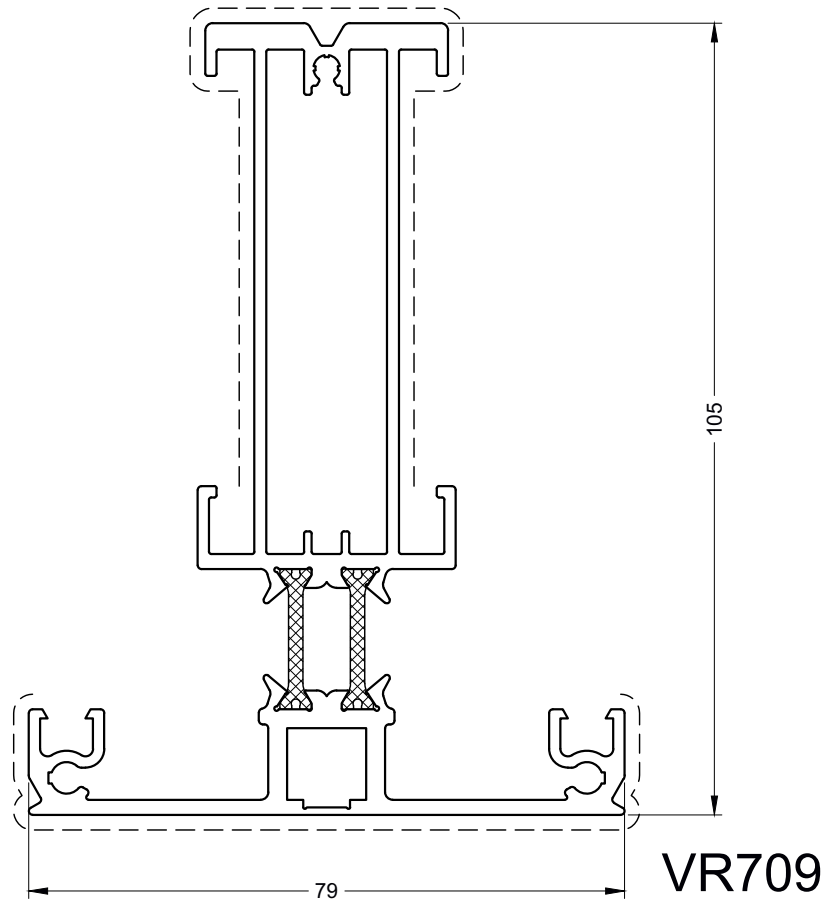




# VR700

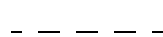
LIGGER  
CHEVRON  
SPARREN  
RAFTER

PROFIELEN - PROFILS-PROFILE - PROFILES



VR709

**aliplast**  
member of



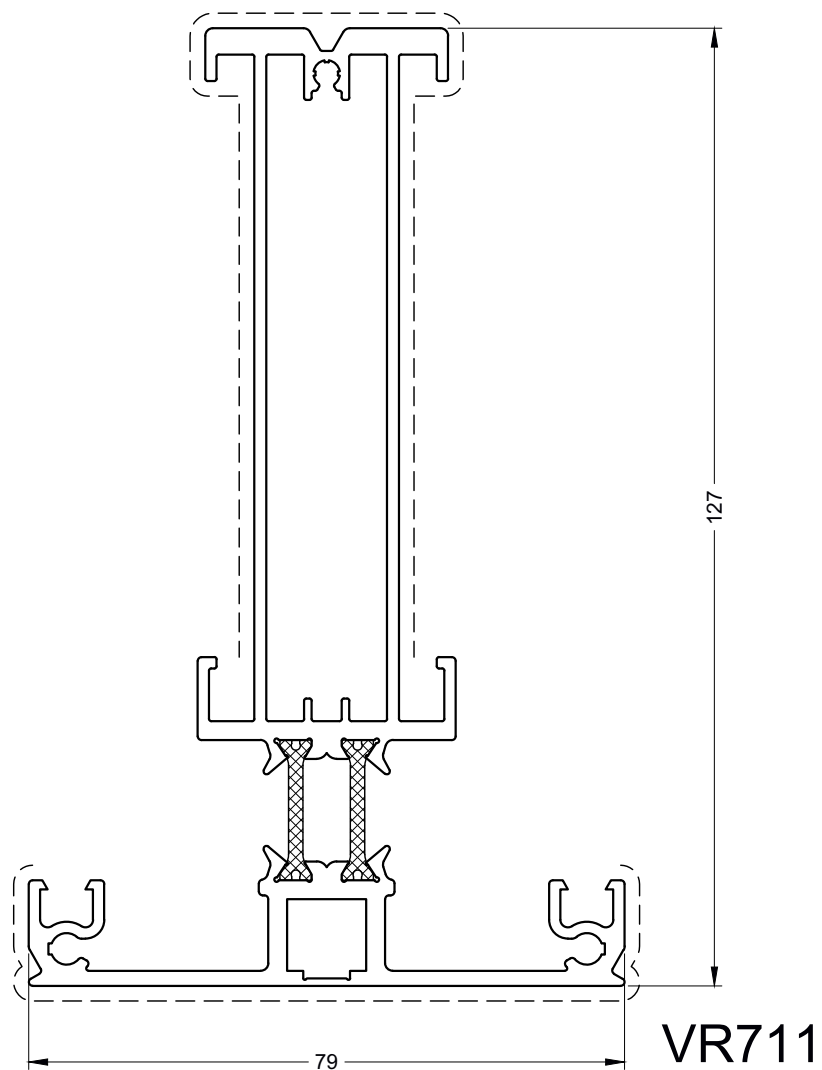
Primaire zichtzijde  
Côté visible primaire

Primäre sichtbare Seite  
Primary visible side

25/6/15

# VR700

LIGGER  
CHEVRON  
SPARREN  
RAFTER



VR711

18

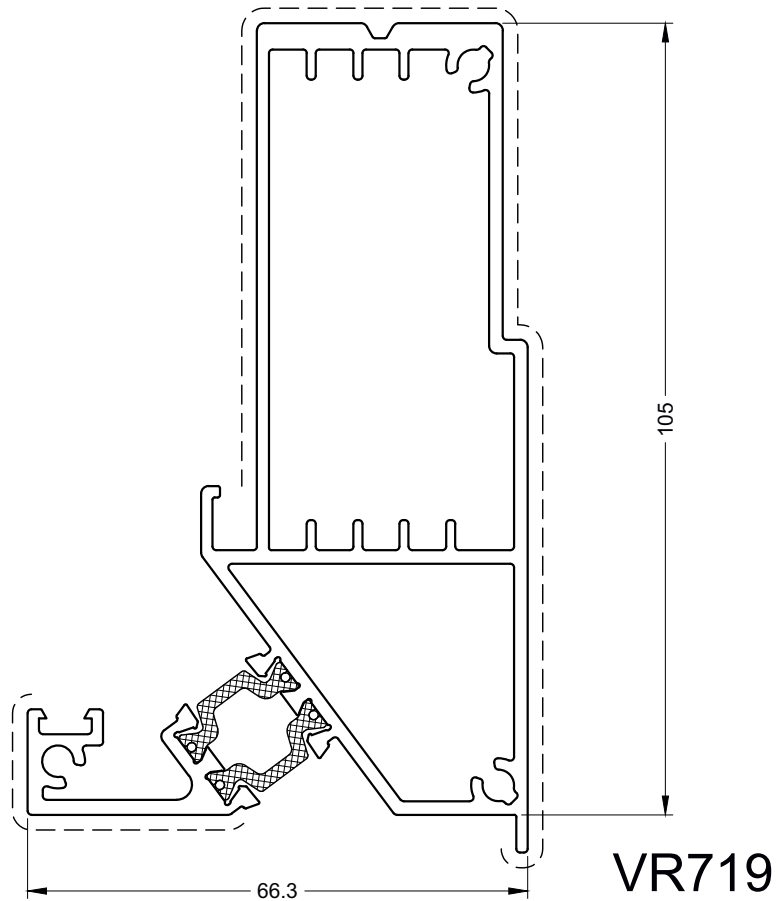
----- Primaire zichtzijde Primäre sichtbare Seite  
Côté visible primaire Primary visible side

25/6/15

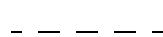
# VR700

ZIJLIGGER  
CHEVRON LATERALE  
SEITENSPARREN  
SIDE-RAFTER

PROFIELEN - PROFILS-PROFILE - PROFILES



VR719



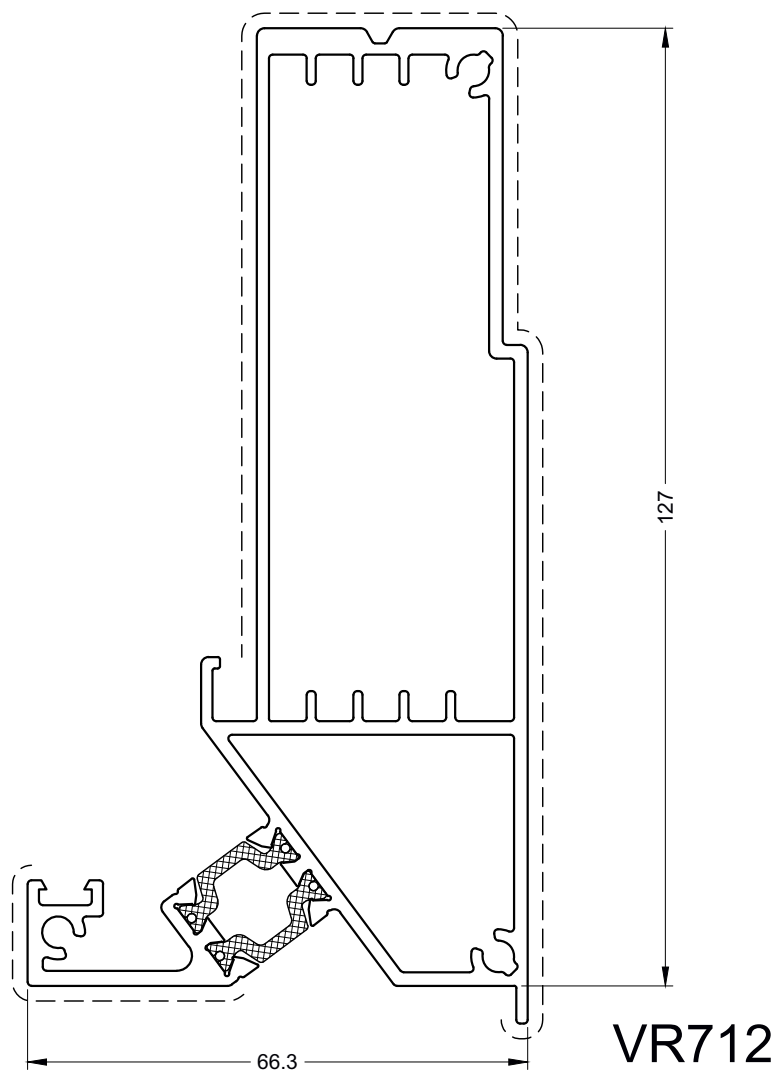
Primaire zichtzijde  
Côté visible primaire

Primäre sichtbare Seite  
Primary visible side

25/6/15

# VR700

ZIJLIGGER  
CHEVRON LATERALE  
SEITENSPARREN  
SIDE-RAFTER



VR712

20

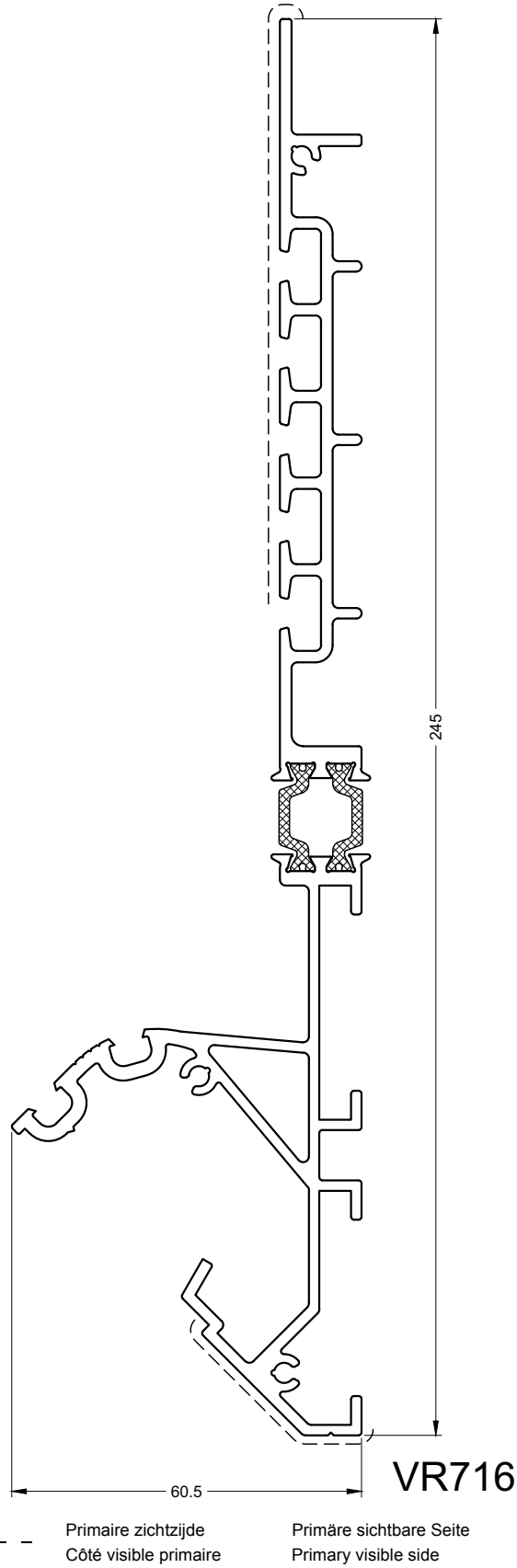
----- Primaire zichtzijde Primäre sichtbare Seite  
Côté visible primaire Primary visible side

25/6/15

# VR700

MUURPROFIEL  
RACCORD MURAL  
MAUERPROFIL  
WALL SECTION

PROFIELEN - PROFILS-PROFILE - PROFILES



VR716

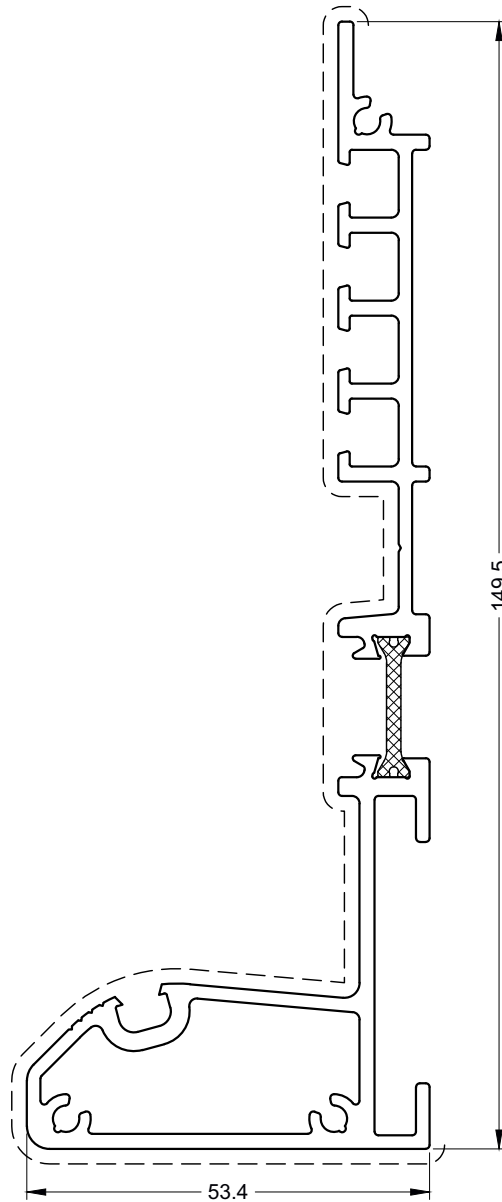
**aliplast**  
member of



25/6/15

# VR700

MUURPROFIEL  
RACCORD MURAL  
MAUERPROFIL  
WALL SECTION



VR718

VR718

22

----- Primaire zichtzijde Primäre sichtbare Seite  
Côté visible primaire Primary visible side

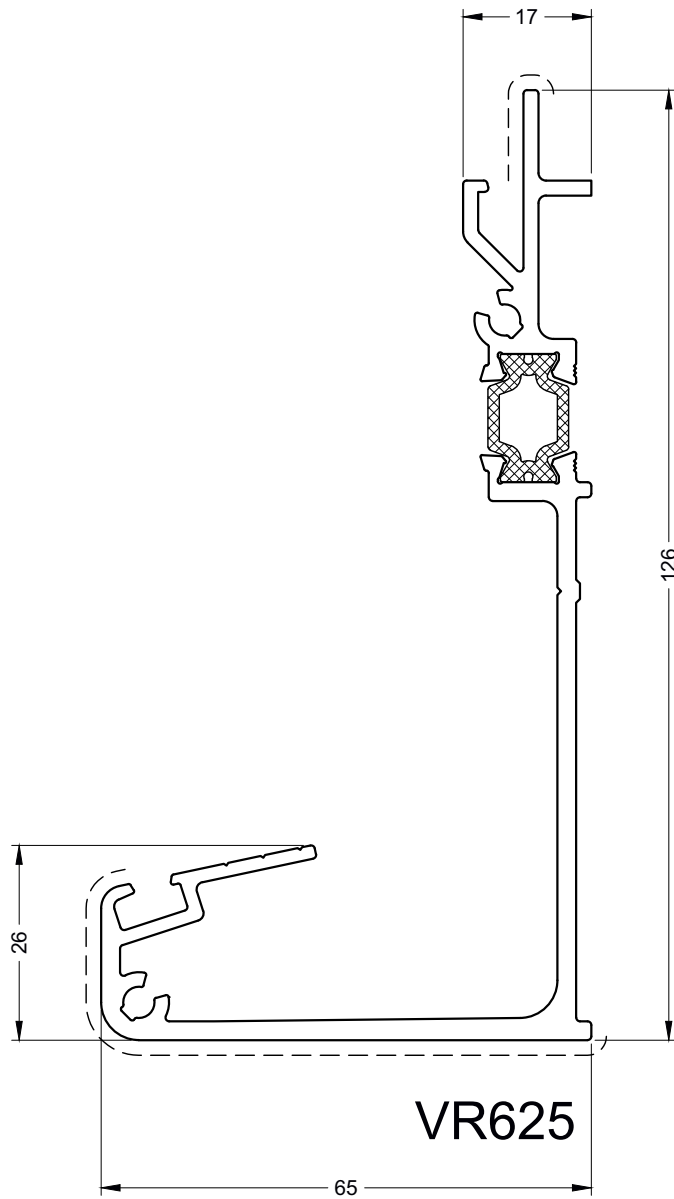
25/6/15

**aliplast**  
member of  
  
**CORIALIS**

# VR700

MUURPROFIEL  
RACCORD MURAL  
MAUERPROFIL  
WALL SECTION

PROFIELEN - PROFILS-PROFILE - PROFILES



VR625

**aliplast**  
member of



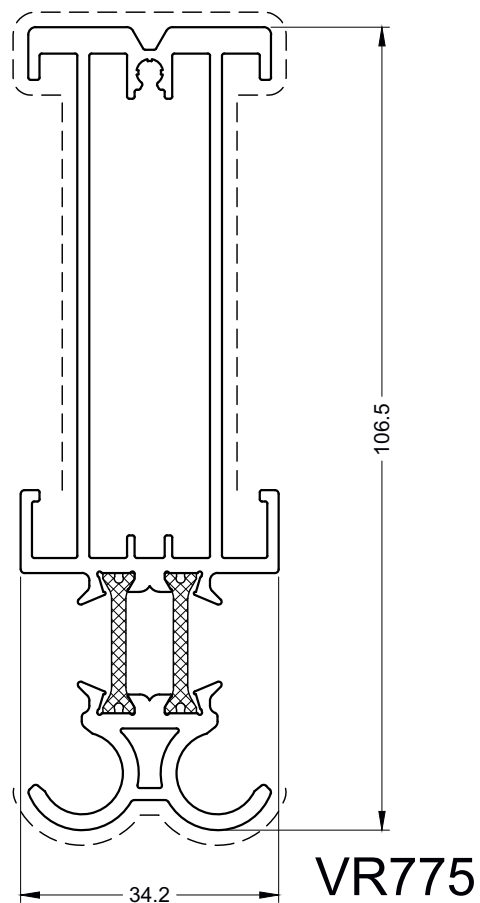
Primaire zichtzijde  
Côté visible primaire

Primäre sichtbare Seite  
Primary visible side

25/6/15

# VR700

NOORDBOOM  
ARËTIER  
GRATSPARREN  
HIP-RAFTER



VR775

24



Primaire zichtzijde  
Côté visible primaire

Primäre sichtbare Seite  
Primary visible side

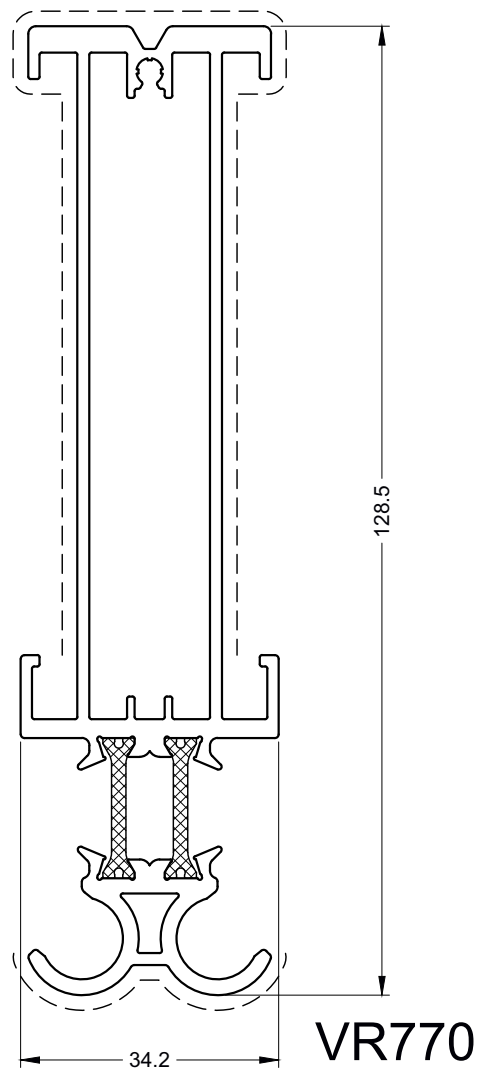
25/6/15



# VR700

NOORDBOOM  
ARËTIER  
GRATSPARREN  
HIP-RAFTER

PROFIELEN - PROFILS-PROFILE - PROFILES



VR770

**aliplast**  
member of

**CORIALIS**



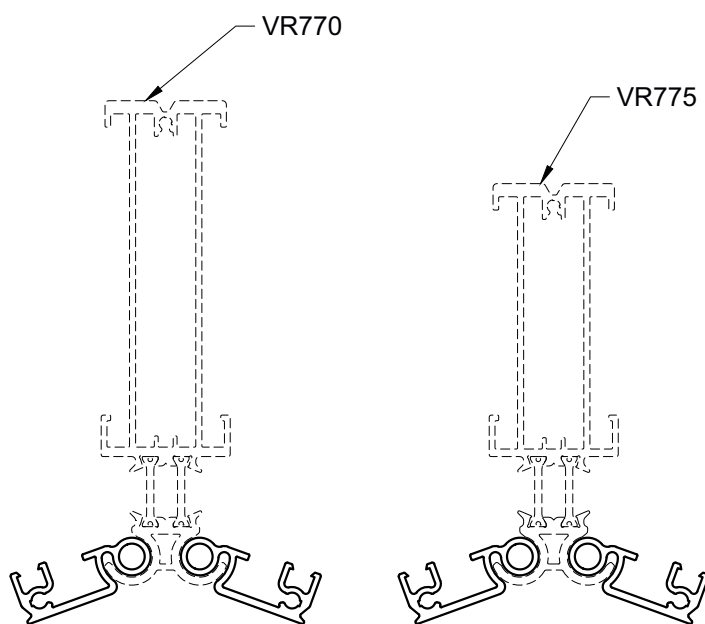
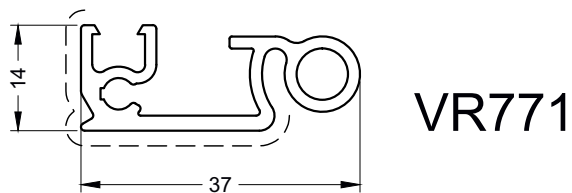
Primaire zichtzijde  
Côté visible primaire

Primäre sichtbare Seite  
Primary visible side

25/6/15

# VR700

SCHARNIERPROFIEL VOOR VR770 EN VR775  
PROFIL CHARNIERE POUR VR770 ET VR775  
SCHARNIERPROFIL FÜR VR770 UND VR775  
HINGE PROFILE FOR VR770 AND VR775



VR771

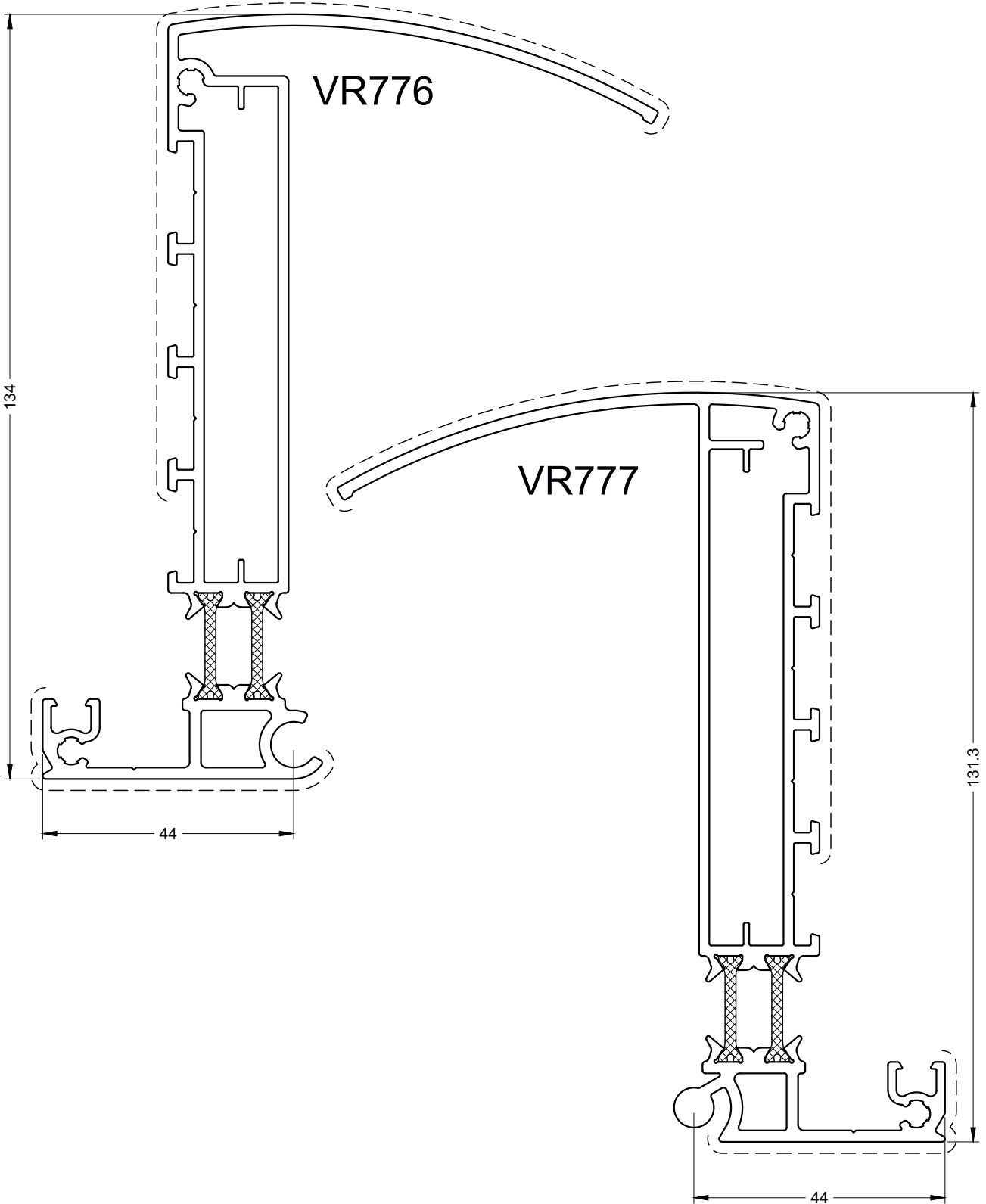
26

----- Primaire zichtzijde Primäre sichtbare Seite  
Côté visible primaire Primary visible side

25/6/15

# VR700

NOORDBOOM  
ARËTIER  
GRATSPARREN  
HIP-RAFTER



PROFIELEN - PROFILS-PROFILE - PROFILES

VR776-VR777

**aliplast**  
member of

**CORIALIS**

-----  
Primaire zichtzijde  
Côté visible primaire

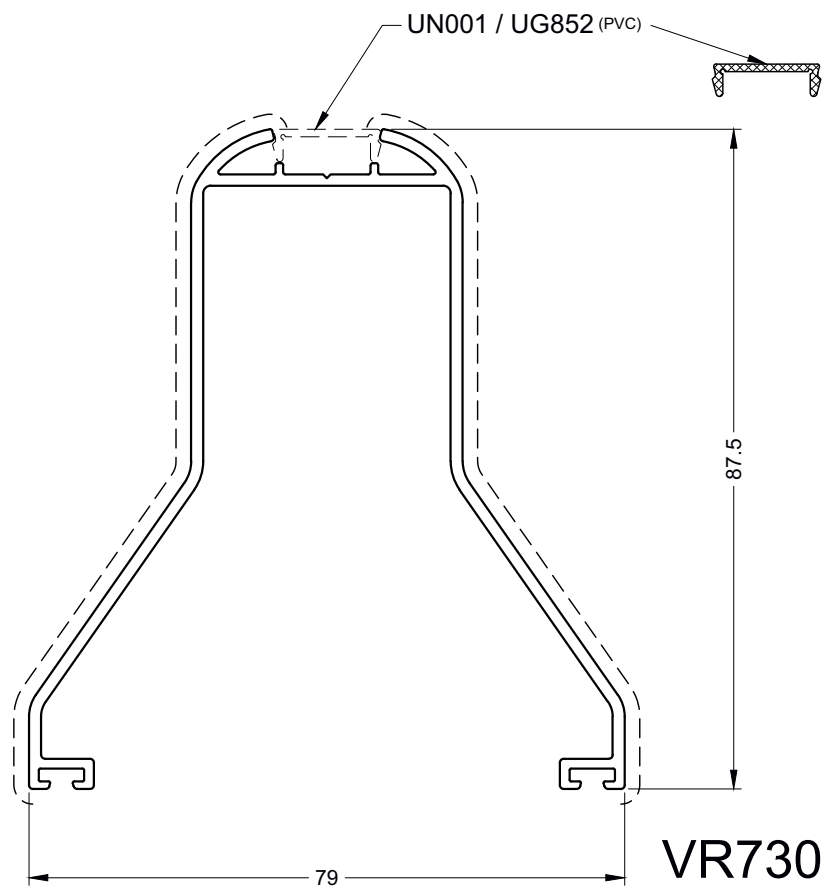
-----  
Primäre sichtbare Seite  
Primary visible side

25/6/15

27

# VR700

DEKPROFIEL LIGGER  
CAPOT CHEVRON  
ABDECKPROFIL SPARREN  
COVERPROFILE RAFTER



VR730

28

----- Primaire zichtzijde Primäre sichtbare Seite  
Côté visible primaire Primary visible side

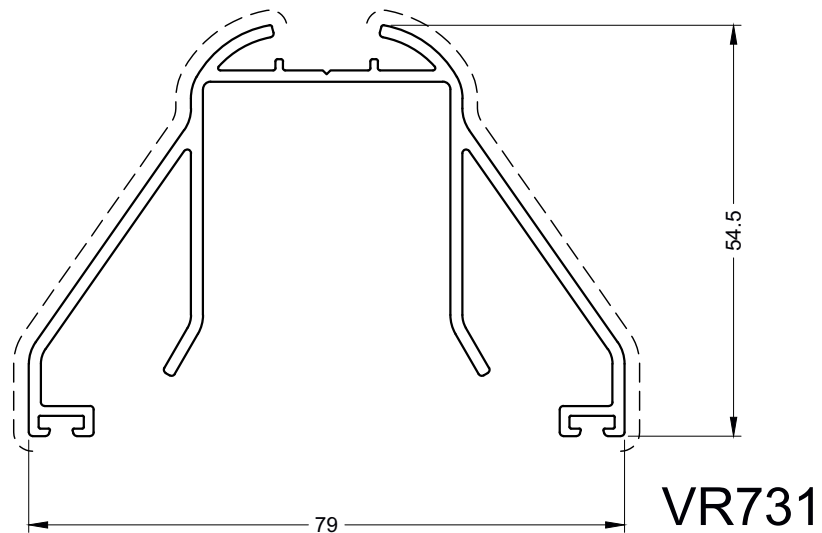
25/6/15

**aliplast**  
member of  
  
**CORIALIS**

# VR700

DEKPROFIEL LIGGER  
CAPOT CHEVRON  
ABDECKPROFIL SPARREN  
COVERPROFILE RAFTER

PROFIELEN - PROFILS-PROFILE - PROFILES



VR731

**aliplast**  
member of



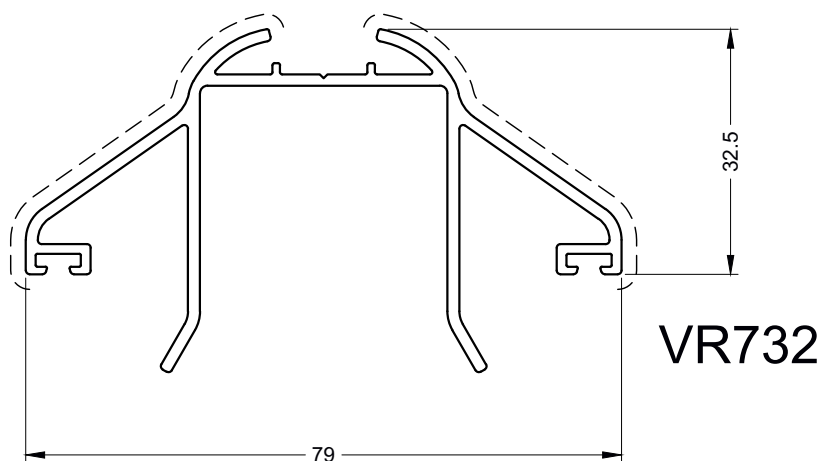
Primaire zichtzijde  
Côté visible primaire

Primäre sichtbare Seite  
Primary visible side

25/6/15

# VR700

DEKPROFIEL LIGGER  
CAPOT CHEVRON  
ABDECKPROFIL SPARREN  
COVERPROFILE RAFTER



VR732

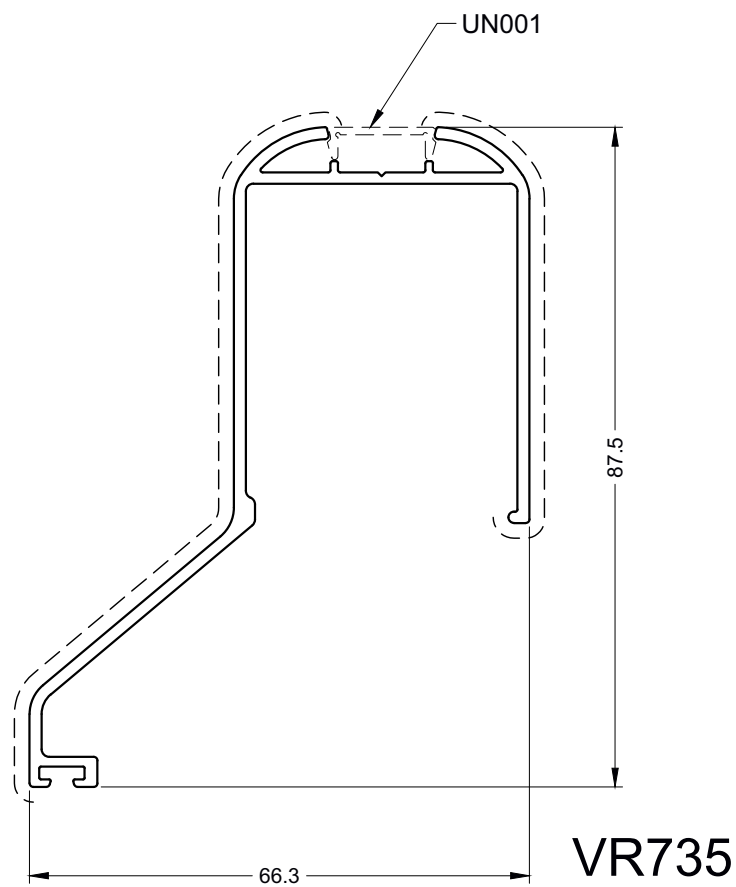
30

----- Primaire zichtzijde Primäre sichtbare Seite  
Côté visible primaire Primary visible side

25/6/15

# VR700

DEKPROFIEL ZIJLIGGER  
CAPOT RIVE  
ABDECKPROFIL SEITENSPARREN  
COVER PROFILE SIDE - RAFTER



PROFIELEN - PROFILS-PROFILE - PROFILES

VR735

**aliplast**  
member of



Primaire zichtzijde  
Côté visible primaire

Primäre sichtbare Seite  
Primary visible side

25/6/15

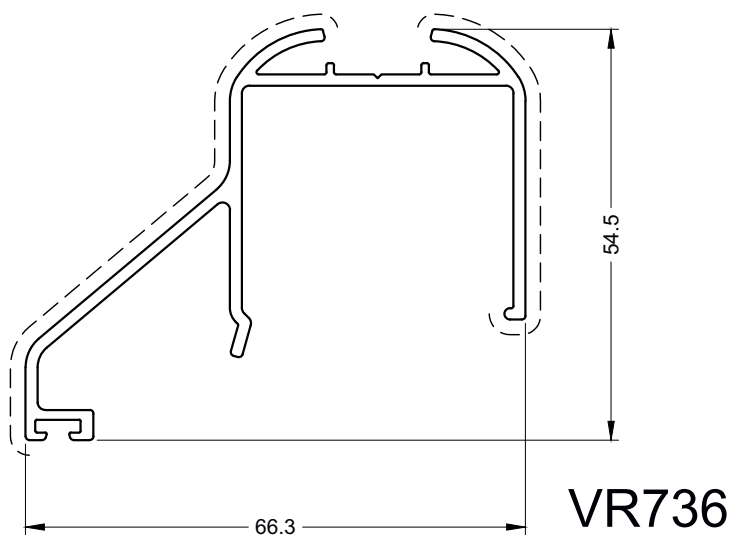
# VR700

DEKPROFIEL ZIJLIGGER

CAPOT RIVE

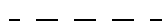
ABDECKPROFIL SEITENSPARREN

COVER PROFILE SIDE - RAFTER



VR736

32



Primaire zichtzijde  
Côté visible primaire

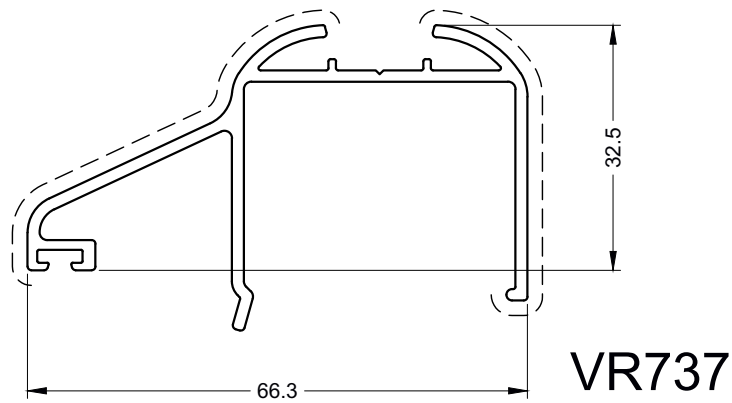
Primäre sichtbare Seite  
Primary visible side

25/6/15



# VR700

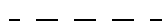
DEKPROFIEL ZIJLIGGER  
CAPOT RIVE  
ABDECKPROFIL SEITENSPARREN  
COVER PROFILE SIDE - RAFTER



PROFIELEN - PROFILS-PROFILE - PROFILES

VR737

**aliplast**  
member of



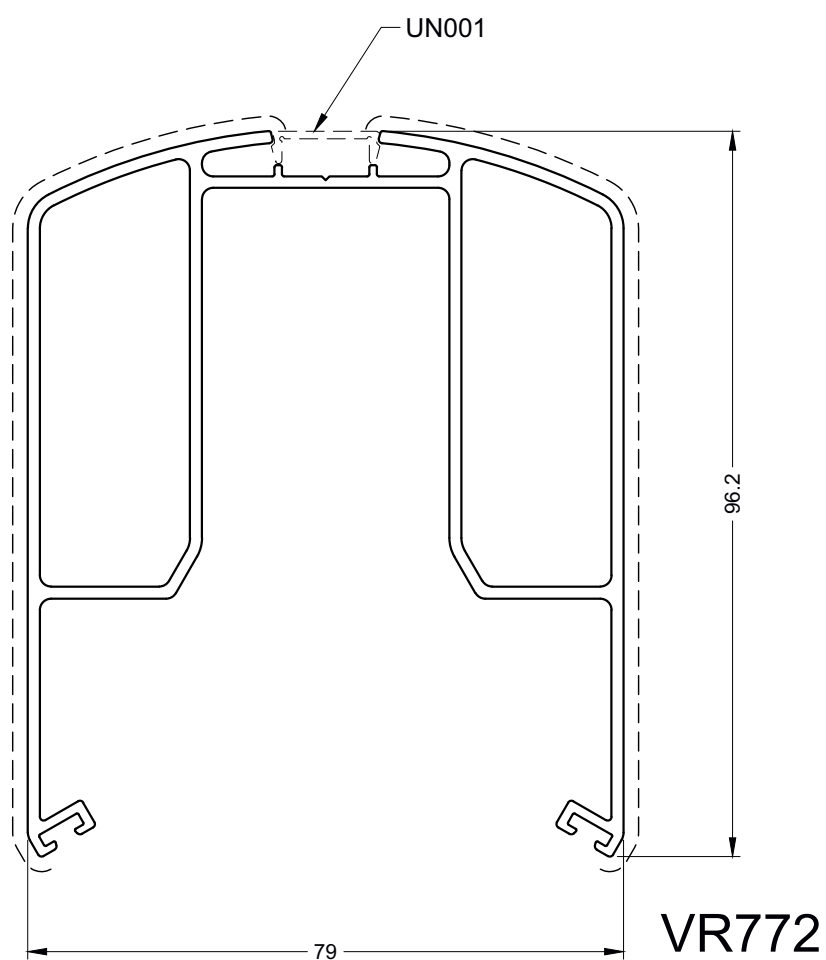
Primaire zichtzijde  
Côté visible primaire

Primäre sichtbare Seite  
Primary visible side

25/6/15

# VR700

DEKPROFIEL VOOR NOORDBOOM  
CAPOT POUR ARËTIER  
ABDECKPROFIL FÜR GRATSPARREN  
COVERPROFILE FOR HIP - RAFTER



VR772

34

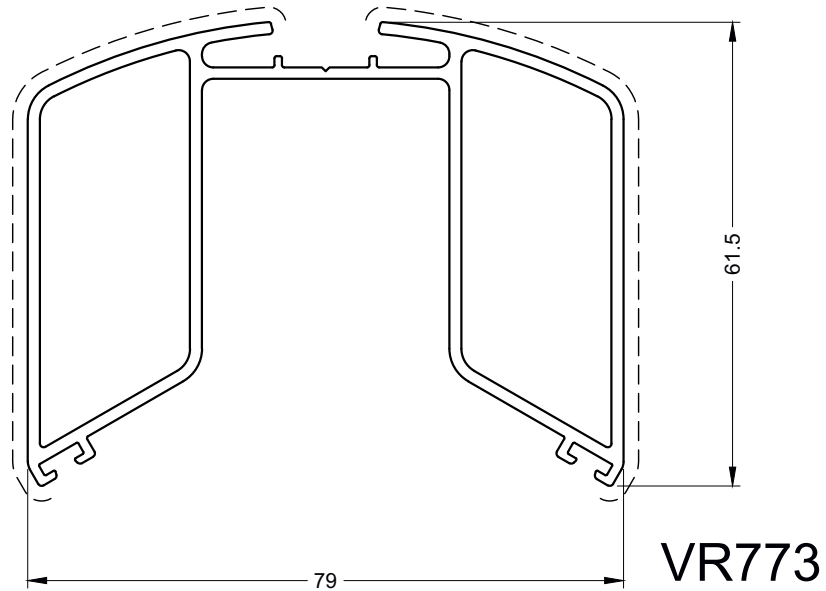
----- Primaire zichtzijde Primäre sichtbare Seite  
Côté visible primaire Primary visible side

25/6/15

# VR700

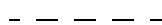
DEKPROFIEL VOOR NOORDBOOM  
CAPOT POUR ARËTIER  
ABDECKPROFIL FÜR GRATSPARREN  
COVERPROFILE FOR HIP - RAFTER

PROFIELEN - PROFILS-PROFILE - PROFILES



VR773

**aliplast**  
member of



Primaire zichtzijde  
Côté visible primaire

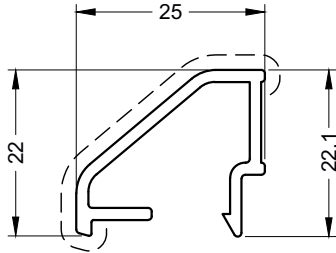
Primäre sichtbare Seite  
Primary visible side

25/6/15

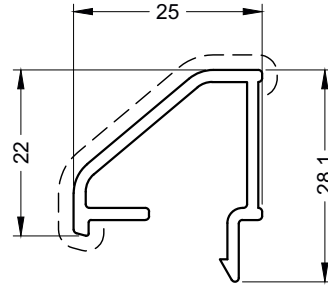
# VR700

GLASLATTEN  
 PARCLOSES  
 GLASLEISTEN  
 GLAZING BEADS

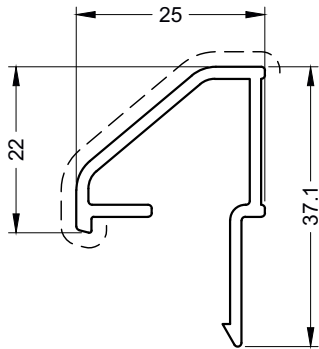
## VR760



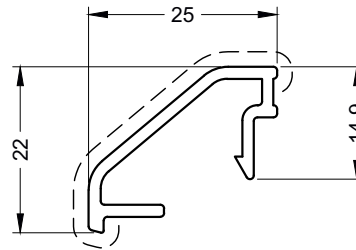
## VR762



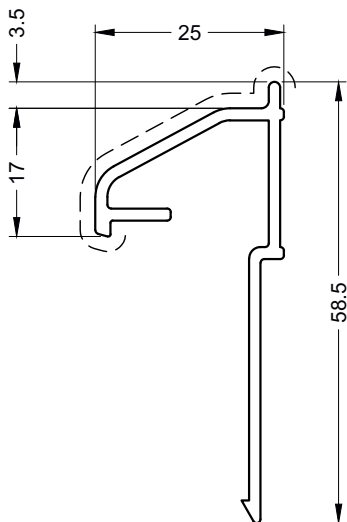
## VR764



## VR766



## VR768



VR760-762-764-766-768



Primaire zichtzijde  
 Côté visible primaire

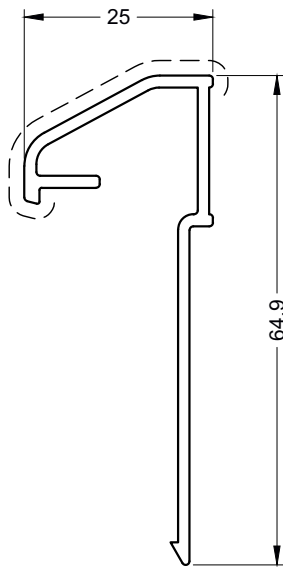
Primäre sichtbare Seite  
 Primary visible side

# VR700

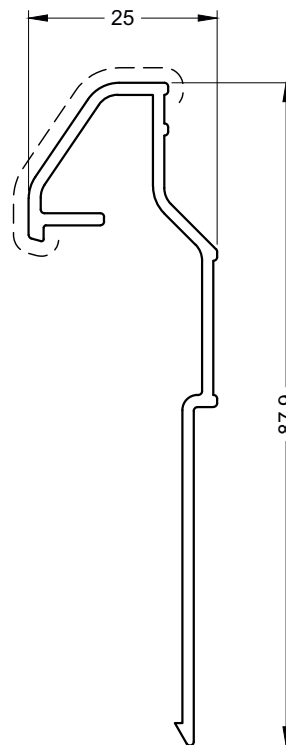
GLASLATTEN  
PARCLOSES  
GLASLEISTEN  
GLAZING BEADS

PROFIELEN - PROFILS-PROFILE - PROFILES

## VR778



## VR779



VR778-779

**aliplast**  
member of



Primaire zichtzijde  
Côté visible primaire

Primäre sichtbare Seite  
Primary visible side

25/6/15

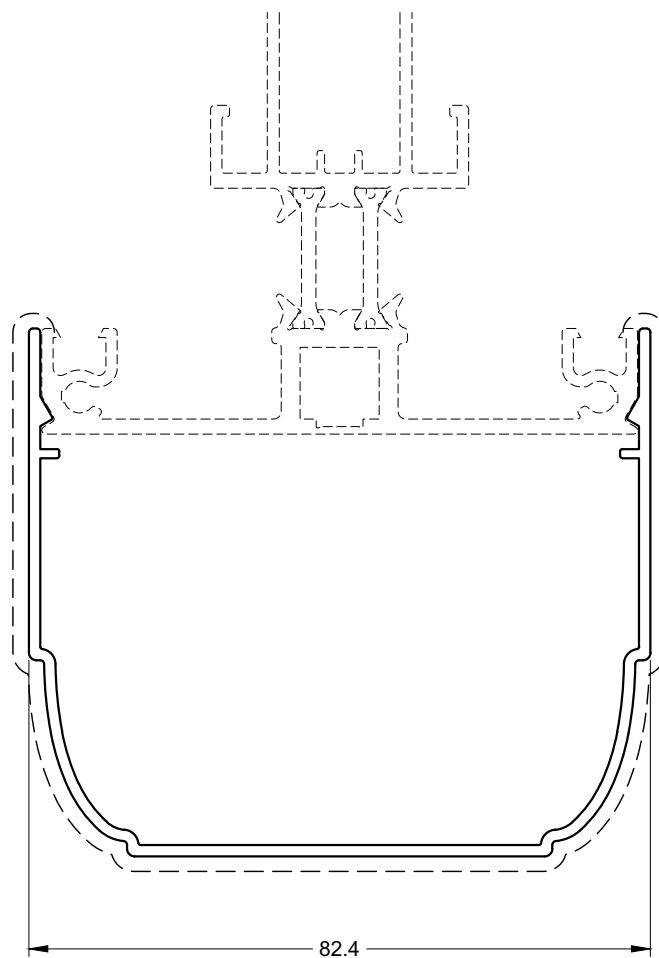
# VR700

SIERKLIJKLIJST VOOR LIGGER

PROFIL COUVERTURE DECORATIF POUR CHEVRON (TUBULAIRE)

DEKORATIV ABDECKPROFIL FÜR SPARREN

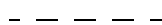
DECORATIVE COVERPROFILE FOR RAFTER



VR710

VR710

38



Primaire zichtzijde  
Côté visible primaire

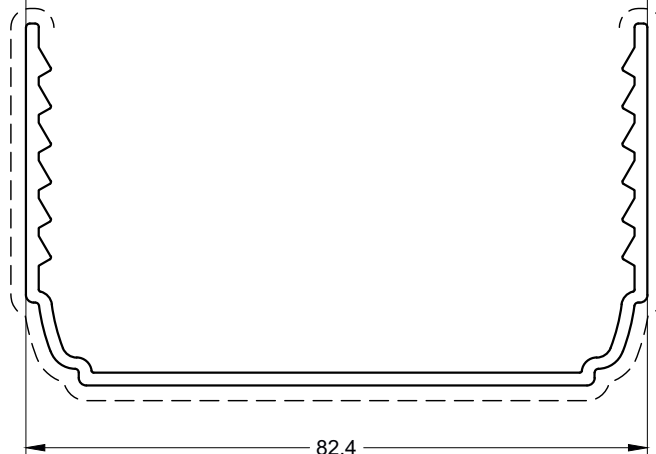
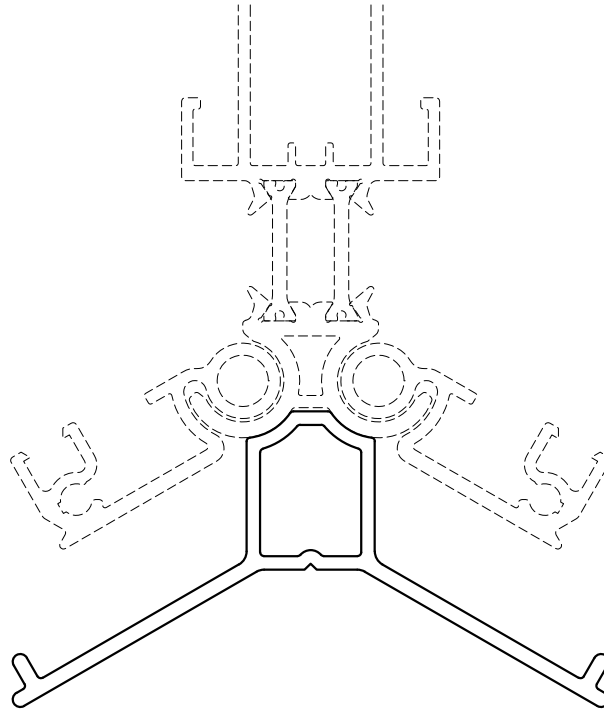
Primäre sichtbare Seite  
Primary visible side

25/6/15

# VR700

SIERKLIJKLIJST VOOR NOORDBOOM  
PROFIL COUVERTURE DECORATIF POUR ARRÊTIER (TUBULAIRE)  
DEKORATIV ABDECKPROFIL FÜR GRATSPARREN  
DECORATIVE COVERPROFILE FOR HIP-RAFTER

PROFIELEN - PROFILS - PROFILE - PROFILES



VR780-VR781-VR782

**aliplast**  
member of



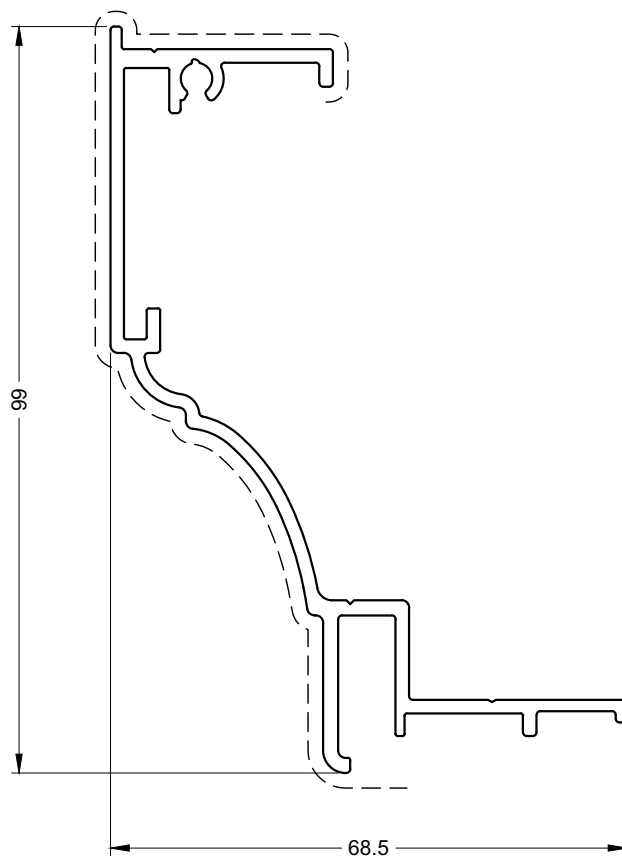
Primaire zichtzijde  
Côté visible primaire

Primäre sichtbare Seite  
Primary visible side

25/6/15

# VR700

VERHOOGSTUK GOOT  
REHAUSSE GOUTTIERE  
ERHOHUNG RINNE  
RAISING PROFILE



VR723

VR723

40



Primaire zichtzijde  
Côté visible primaire

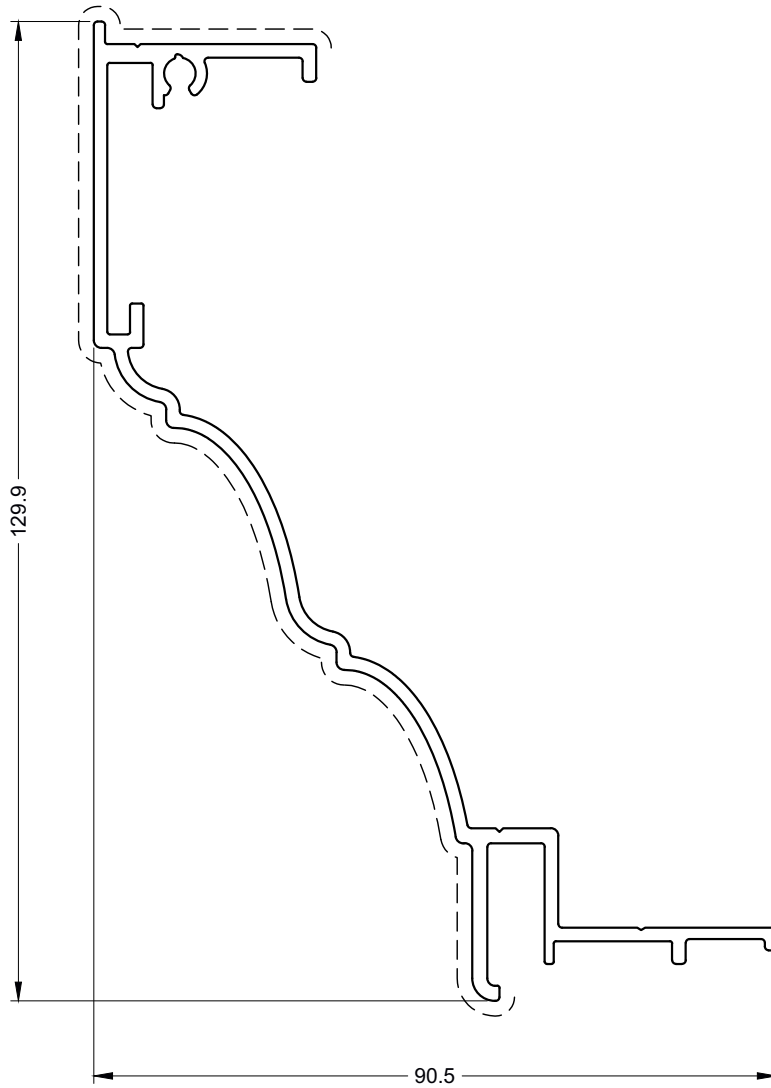
Primäre sichtbare Seite  
Primary visible side

25/6/15



# VR700

VERHOOGSTUK GOOT  
REHAUSSE GOUTTIERE  
ERHOHUNG RINNE  
RAISING PROFILE

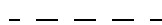


VR724

PROFIELEN - PROFILS-PROFILE - PROFILES

VR724

**aliplast**  
member of



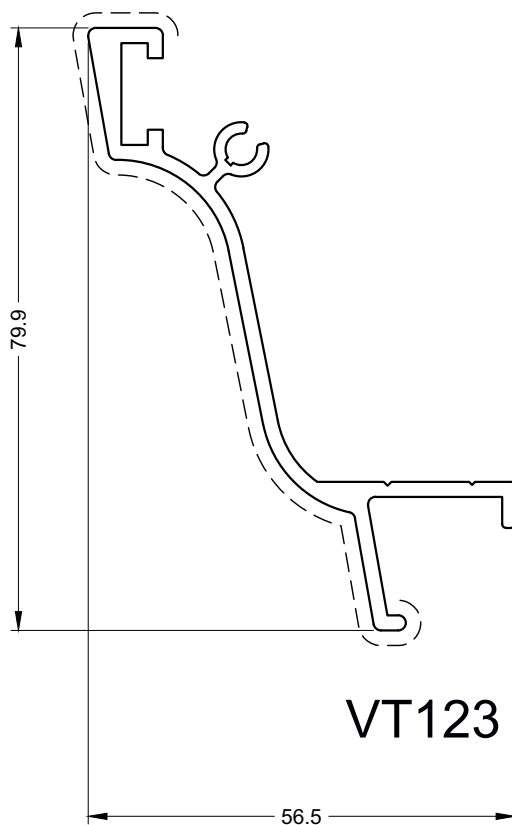
Primaire zichtzijde  
Côté visible primaire

Primäre sichtbare Seite  
Primary visible side

25/6/15

# VR700

VERHOOGSTUK GOOT  
REHAUSSE GOUTTIERE  
ERHOHUNG RINNE  
RAISING PROFILE



VT123

42

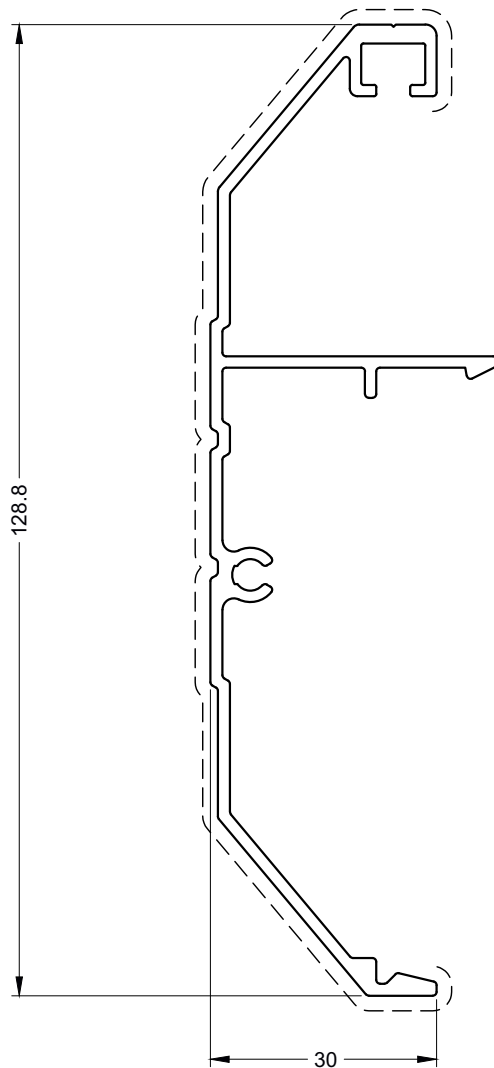
----- Primaire zichtzijde Primäre sichtbare Seite  
Côté visible primaire Primary visible side

25/6/15

**aliplast**  
member of  
  
**CORIALIS**

# VR700

VERHOOGSTUK GOOT  
REHAUSSE GOUTTIERE  
ERHOHUNG RINNE  
RAISING PROFILE



VR9522

PROFIELN - PROFILS-PROFILE - PROFILES

VR9522



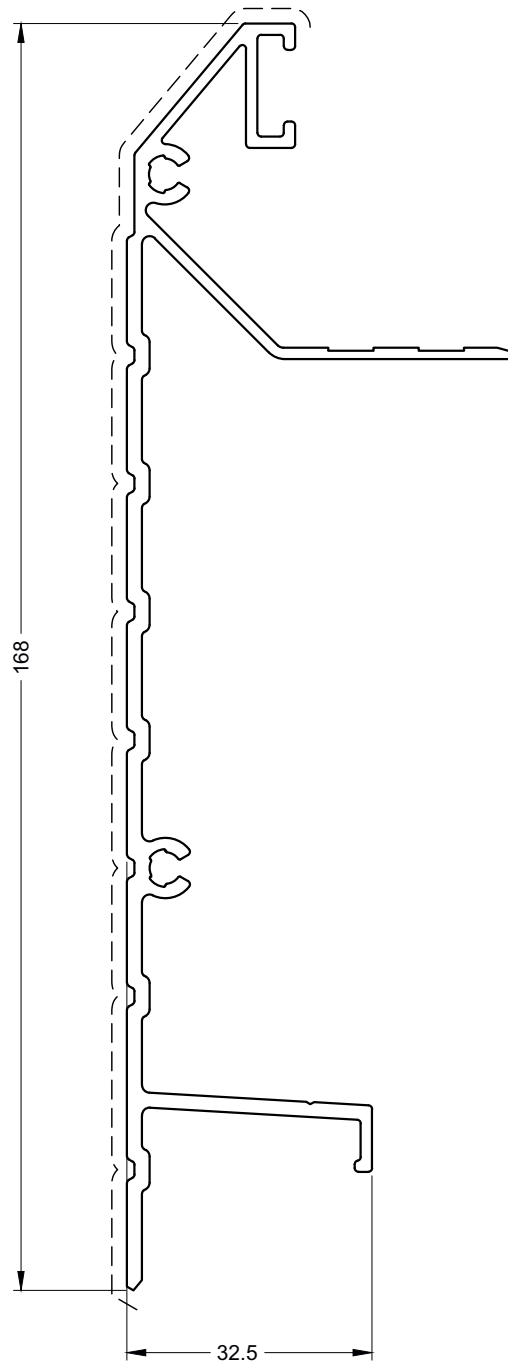
Primaire zichtzijde  
Côté visible primaire

Primäre sichtbare Seite  
Primary visible side

25/6/15

# VR700

VERHOOGSTUK GOOT  
REHAUSSE GOUTTIERE  
ERHOHUNG RINNE  
RAISING PROFILE



VR9523

VR9523

44



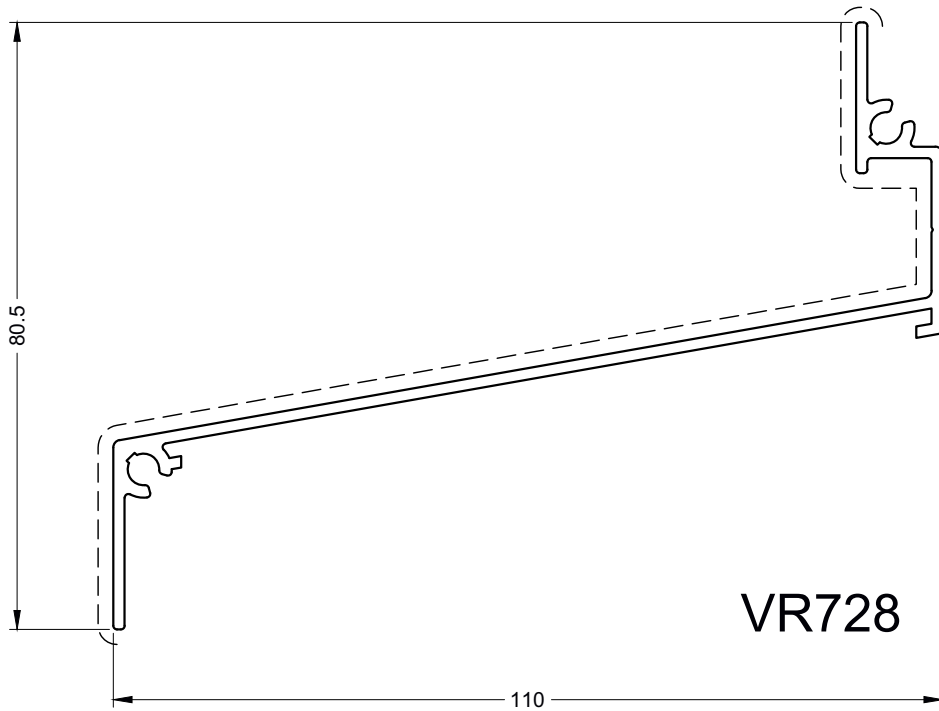
Primaire zichtzijde  
Côté visible primaire

Primäre sichtbare Seite  
Primary visible side

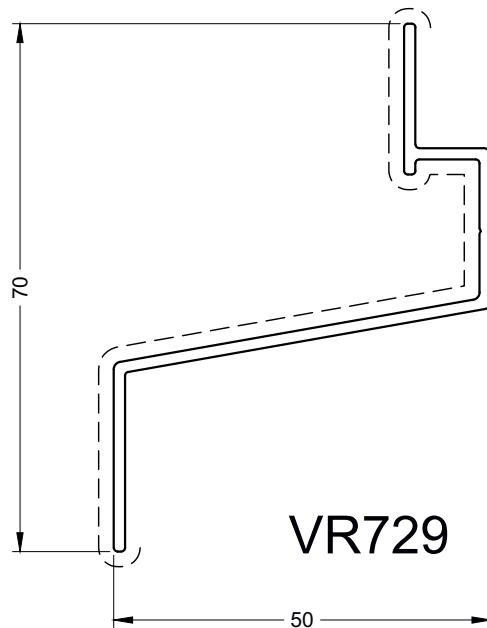
25/6/15

# VR700

AFDEKKAP MUURPROFIEL  
CAPOT PROFIL MURAL  
ABDECKPROFIL MAUER PROFIL  
COVER PROFILE WALL PROFILE



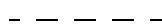
VR728



VR729

VR728-729

**aliplast**  
member of



Primaire zichtzijde  
Côté visible primaire

Primäre sichtbare Seite  
Primary visible side

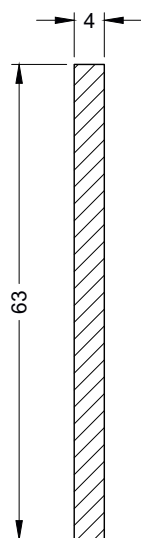
25/6/15

PROFIELEN - PROFILS-PROFILE - PROFILES

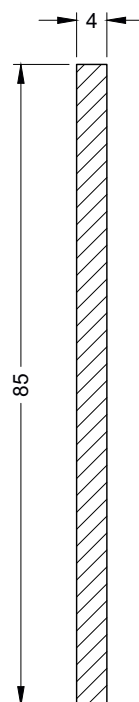
# VR700

VERSTEVIGINGSPROFIELEN  
PORFILS DE REINFORCEMENT  
VERSTÄRKUNGSPROFIELEN  
STRENGTHENING PROFILES

## VR798



## VR799



VR798-VR799



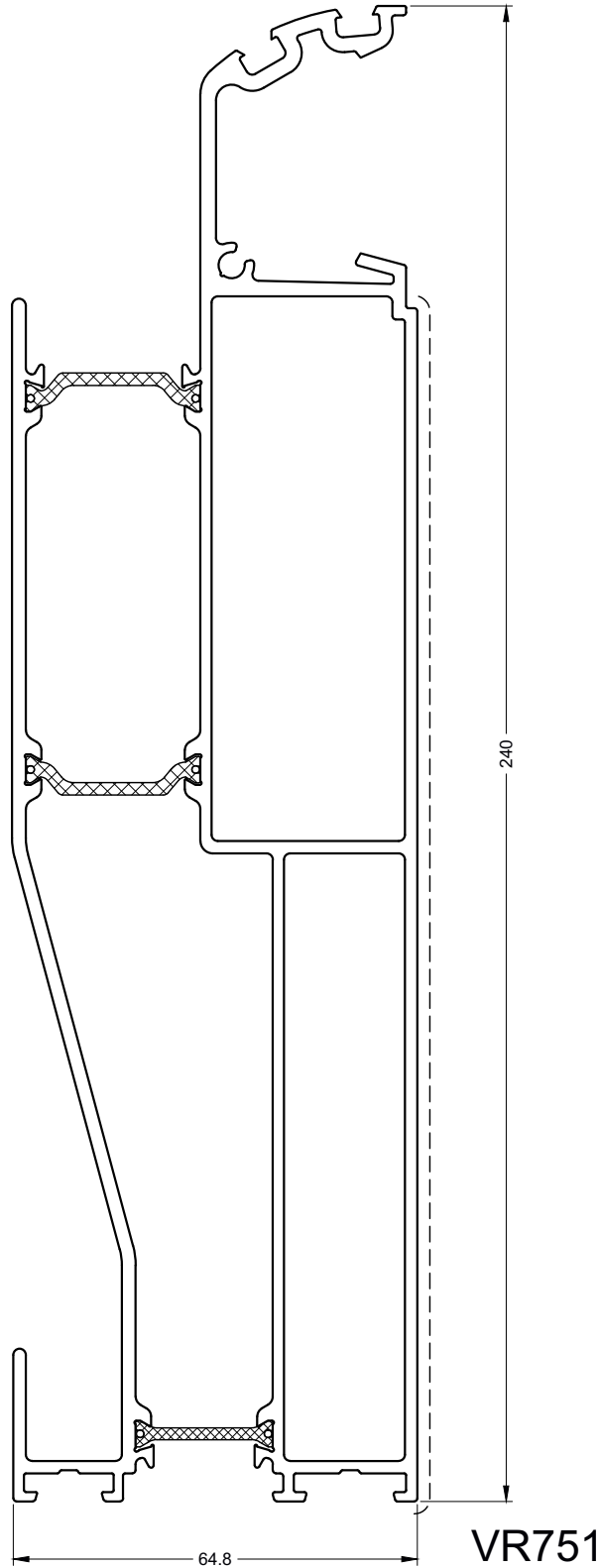
Primaire zichtzijde  
Côté visible primaire

Primäre sichtbare Seite  
Primary visible side

# VR700

RINGBALK  
SABLIERE  
RINGBALKEN  
RING BEAM

PROFIELEN - PROFILS-PROFILE - PROFILES



VR751

**aliplast**  
member of

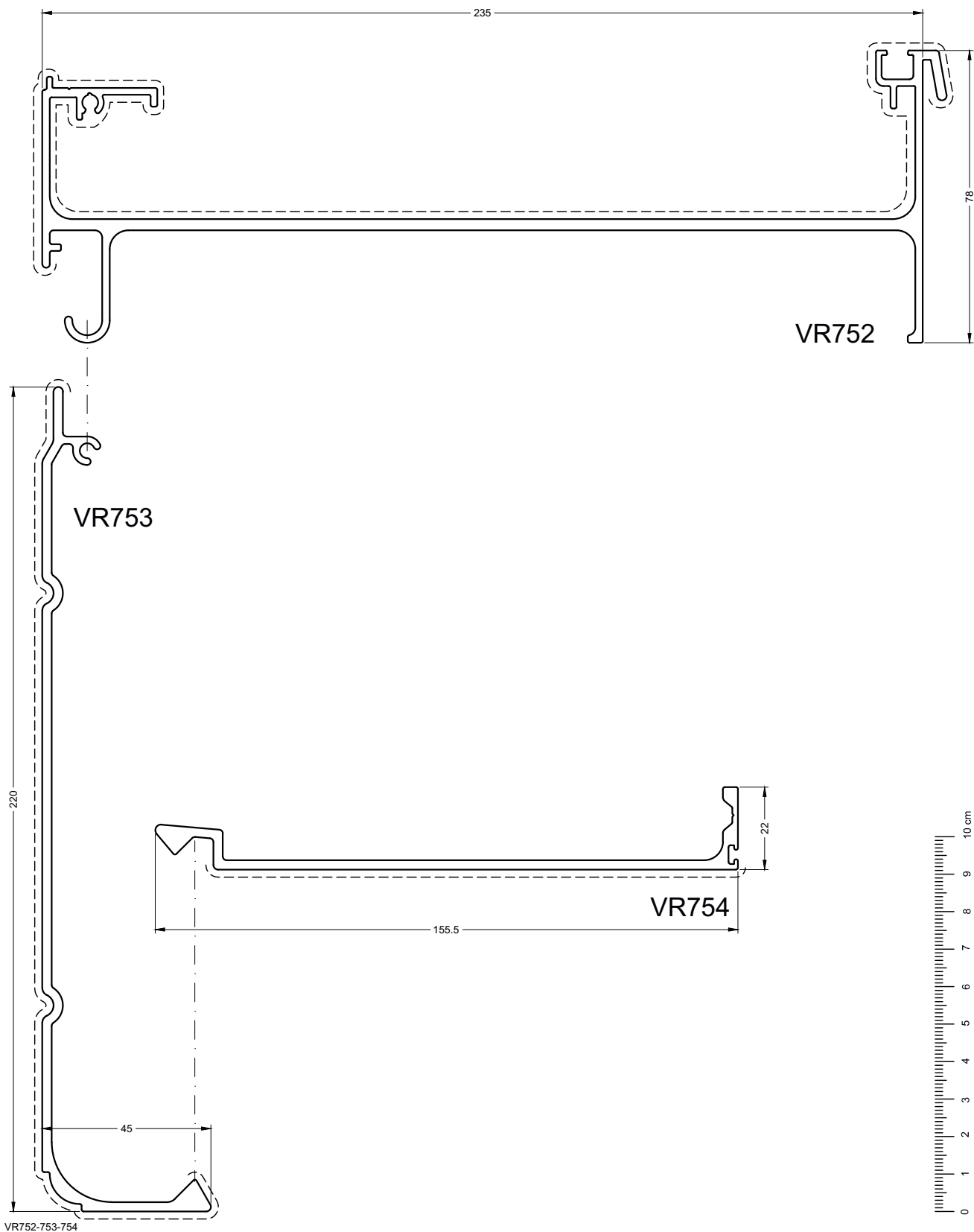


----- Primaire zichtzijde      Primäre sichtbare Seite  
Côté visible primaire      Primary visible side

25/6/15

# VR700

PROFIELEN INTEGROL  
PROFILS COFFRE DU VOLET ROULANT  
PROFILE INTEGRATION ROLLADEN  
PROFILES INTEGRATION ROLLER SHUTTER



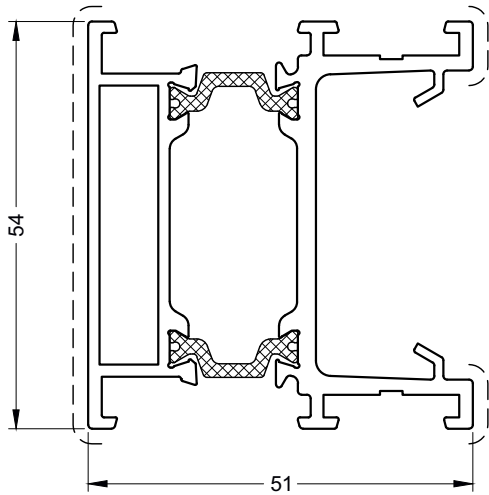
VR752-753-754

----- Primaire zichtzijde / Primäre sichtbare Seite  
Côté visible primaire / Primary visible side

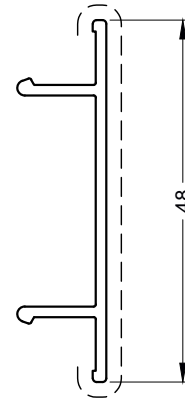


# VR700

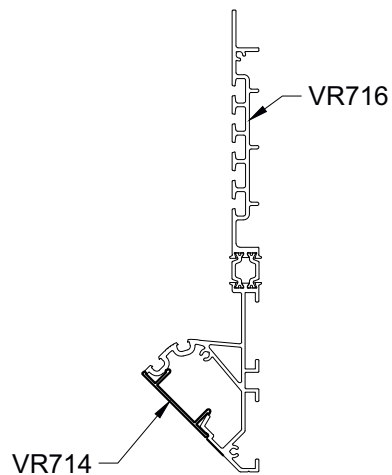
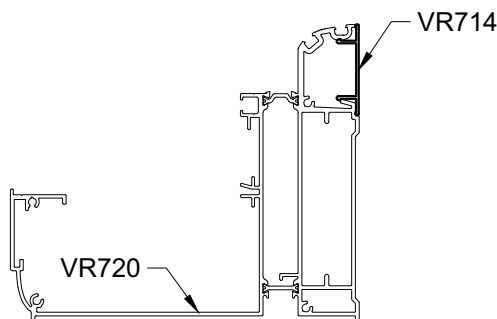
OPZETPROFIEL - KLIPSPROFIEL  
 PROFIL REHAUSSEMENT - CLIP  
 ERHOHUNG PROFIL - ABDECKPROFIL  
 ELEVATION PROFILE - CLIP PROFILE



VR713

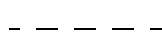


VR714



PROFIELEN - PROFILS-PROFILE - PROFILES

VR713-714



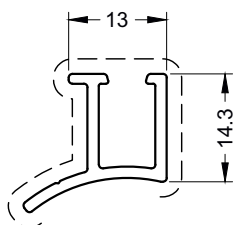
Primaire zichtzijde  
 Côté visible primaire

Primäre sichtbare Seite  
 Primary visible side

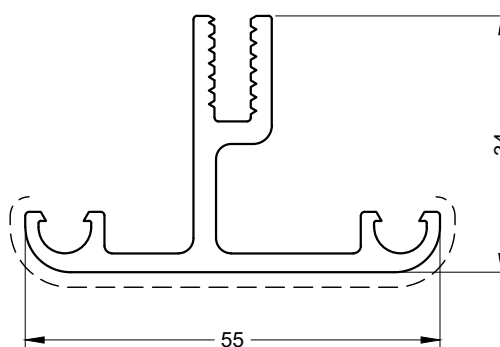
25/6/15

# VR700

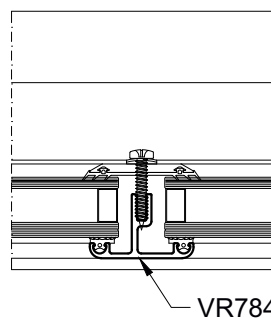
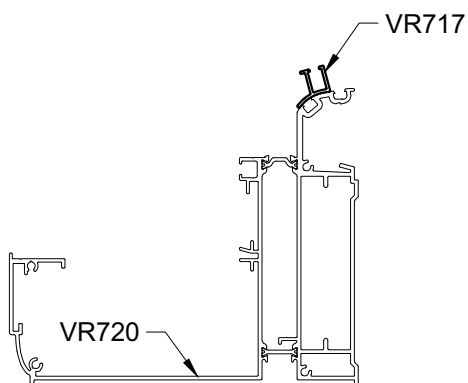
VERHOOGPROFIEL EN TUSSENLIGGER  
 PROFIL REHAUSSEMENT ET TRAVERSE ENTRE CHEVRONS  
 ERHOHUNGSPROFIL UND RIEGEL ZWISCHEN SPARREN  
 ELEVATION PROFILE AND TRANSOM BETWEEN RAFTERS



VR717



VR784



VR717-784



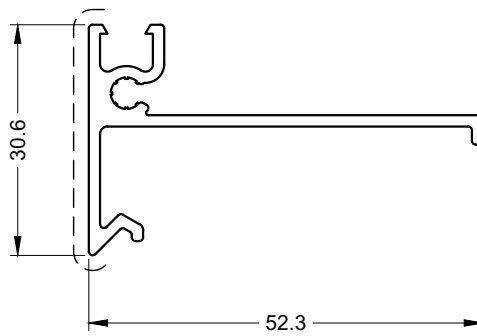
Primaire zichtzijde  
 Côté visible primaire

Primäre sichtbare Seite  
 Primary visible side

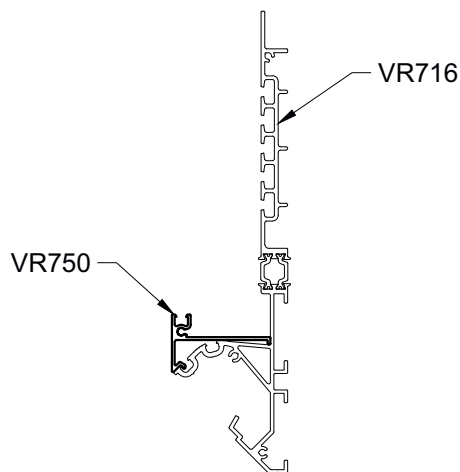
# VR700

VERHOOGPROFIEL  
PROFIL REHAUSSEMENT  
ERHOHUNGSPROFIL  
ELEVATION PROFILE

PROFIELEN - PROFILS-PROFILE - PROFILES



VR750



VR750

**aliplast**  
member of



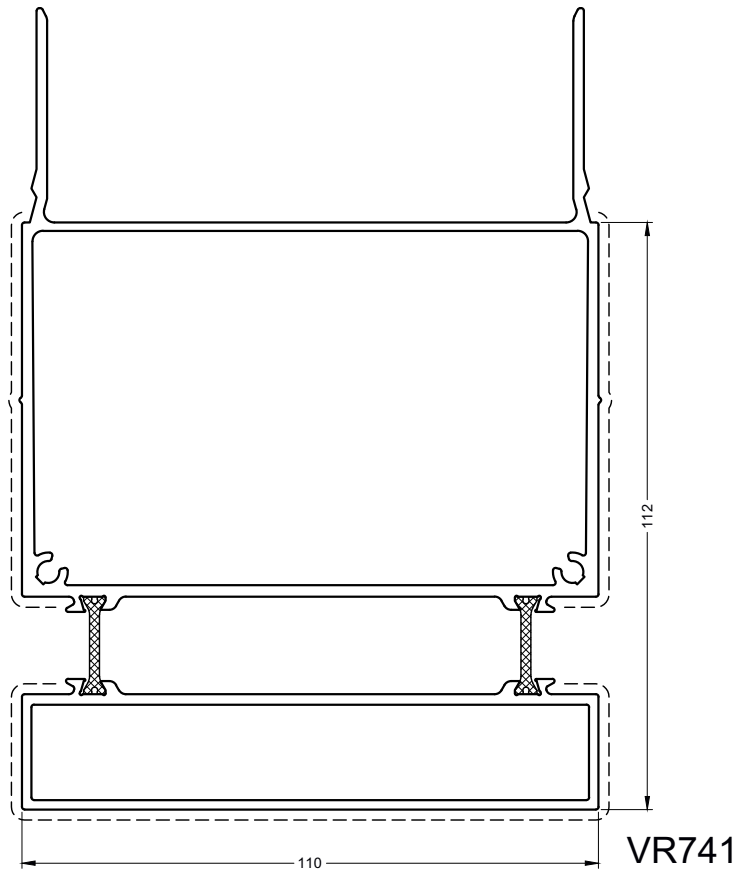
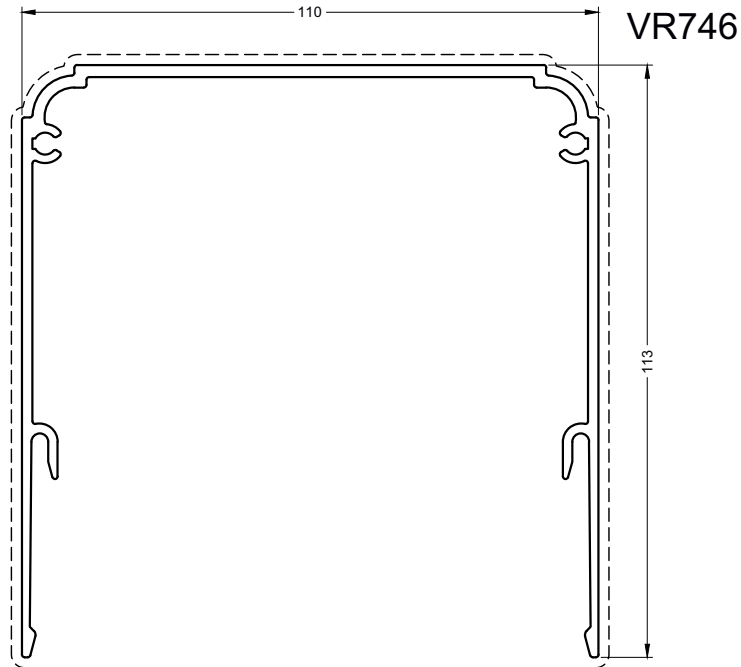
Primaire zichtzijde  
Côté visible primaire

Primäre sichtbare Seite  
Primary visible side

25/6/15

# VR700

STEUNPROFIEL  
PROFILE DE SUPPORT  
STUETZPROFIL  
SUPPORTING PROFILE



VR741-746

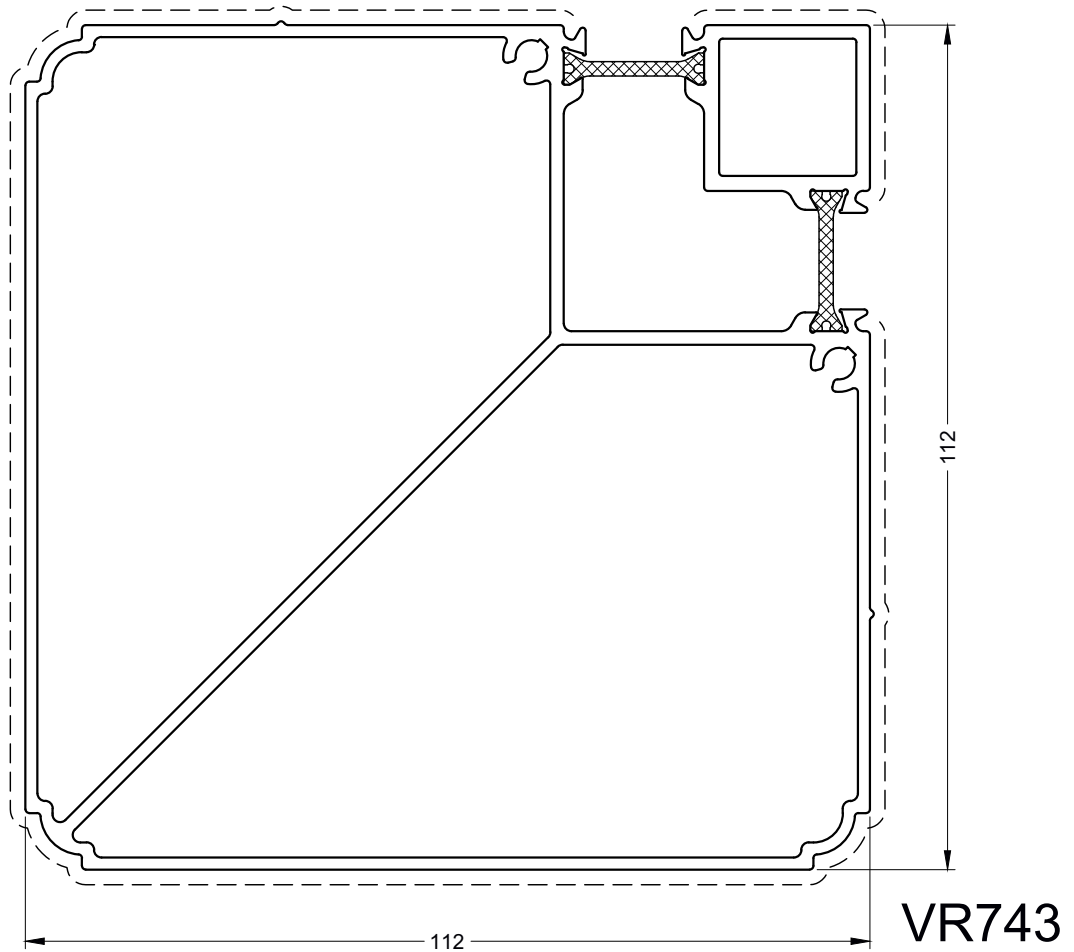
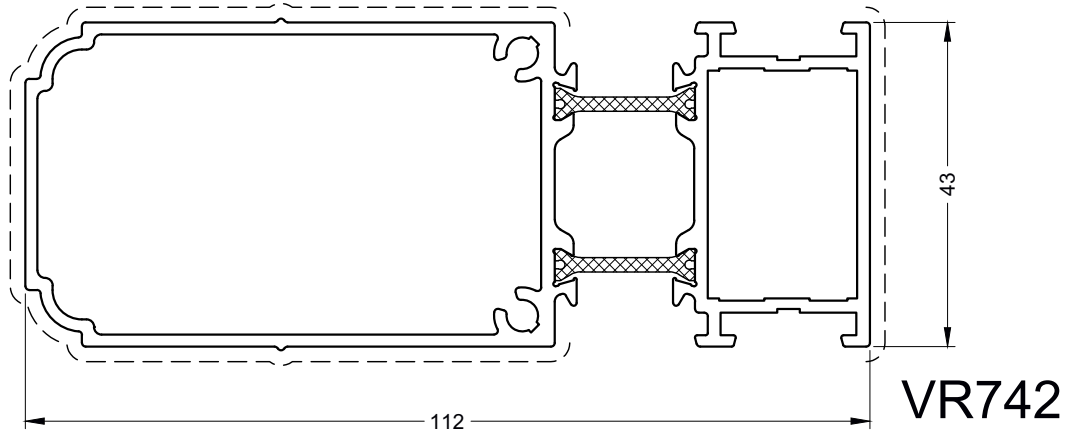
Primaire zichtzijde  
Côté visible primaire

Primäre sichtbare Seite  
Primary visible side

# VR700

STEUNPROFIEL  
 PROFILE DE SUPPORT  
 STUETZPROFIL  
 SUPPORTING PROFILE

PROFIELEN - PROFILS - PROFILE - PROFILES



VR742-743

**aliplast**  
 member of



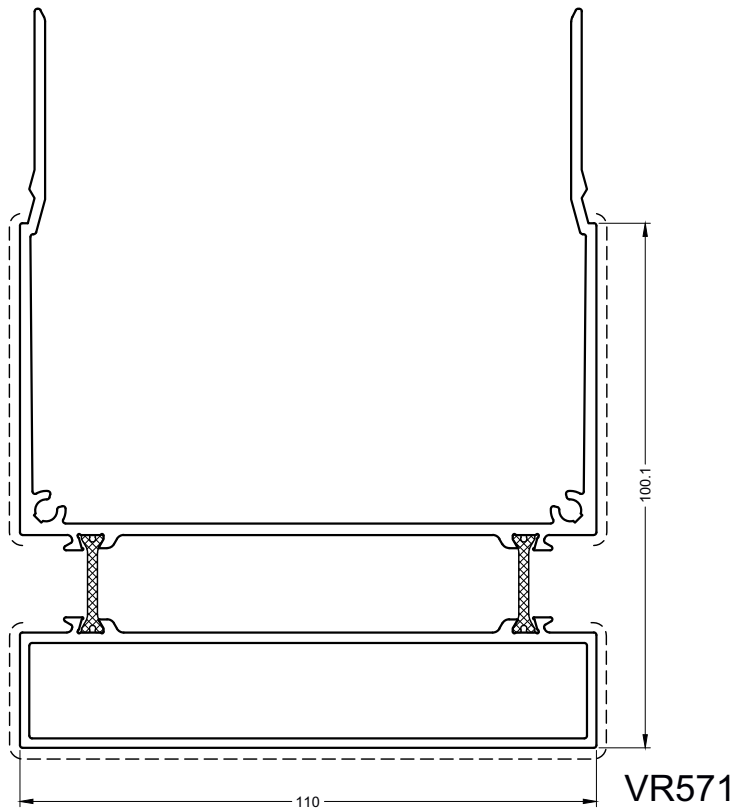
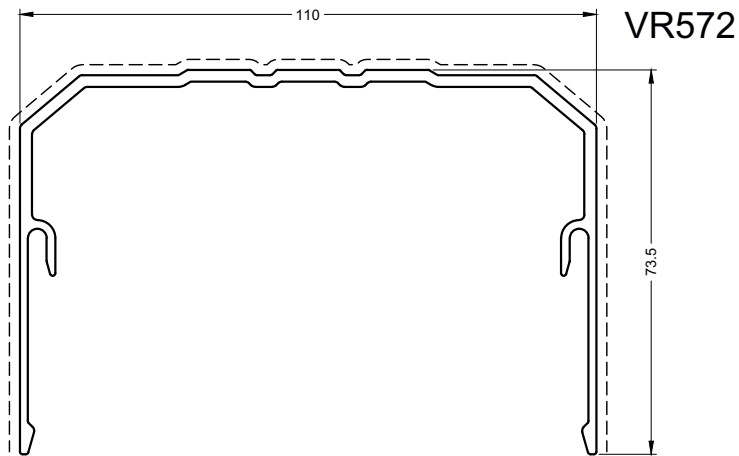
Primaire zichtzijde  
 Côté visible primaire

Primäre sichtbare Seite  
 Primary visible side

25/6/15

# VR700

STEUNPROFIEL  
PROFILE DE SUPPORT  
STUETZPROFIL  
SUPPORTING PROFILE



VR571-572

54

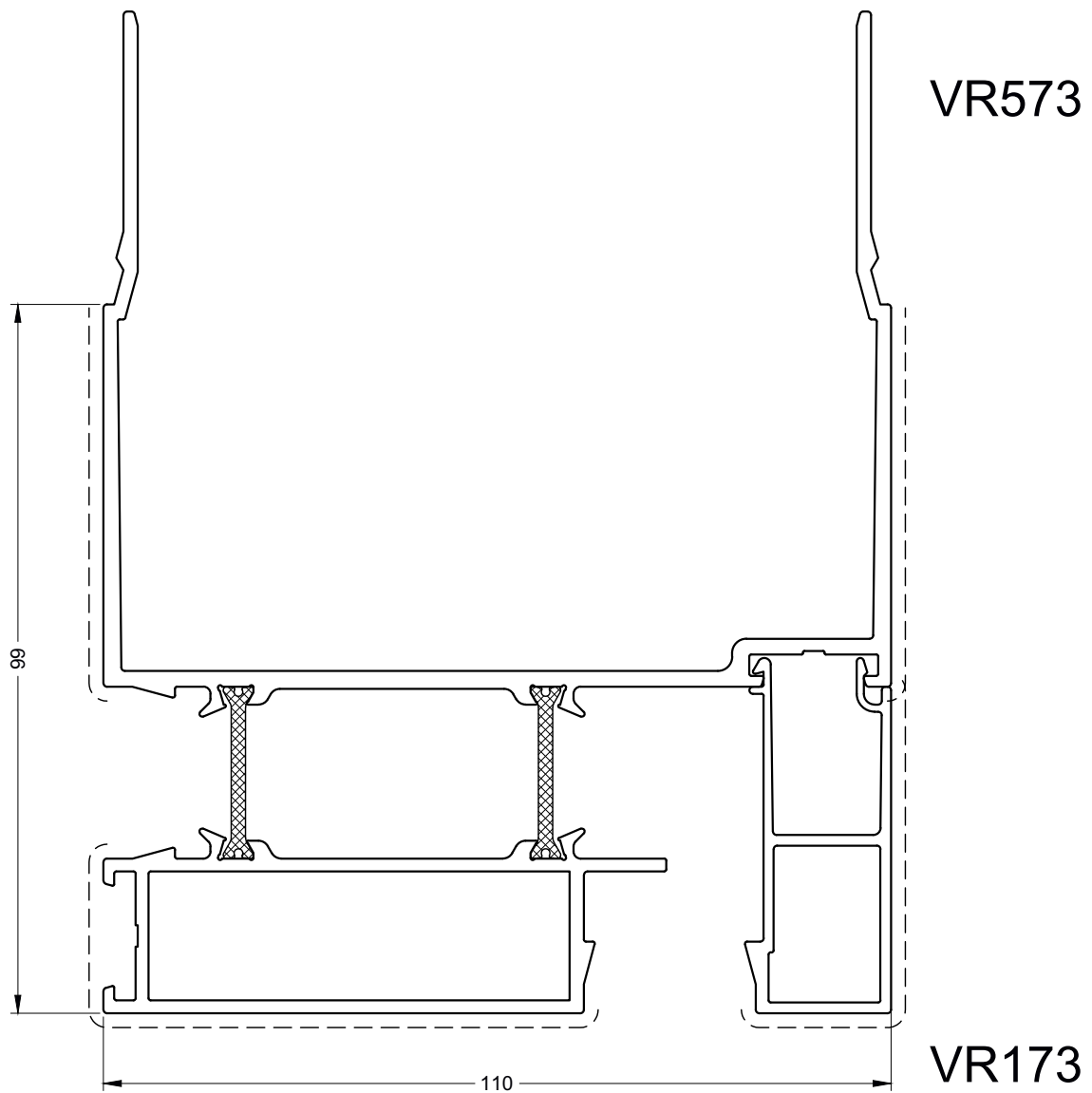
Primaire zichtzijde  
Côté visible primaire

Primäre sichtbare Seite  
Primary visible side

25/6/15

# VR700

STEUNPROFIEL  
PROFILE DE SUPPORT  
STUETZPROFIL  
SUPPORTING PROFILE



PROFIELEN - PROFILS-PROFILE - PROFILES

VR573-173



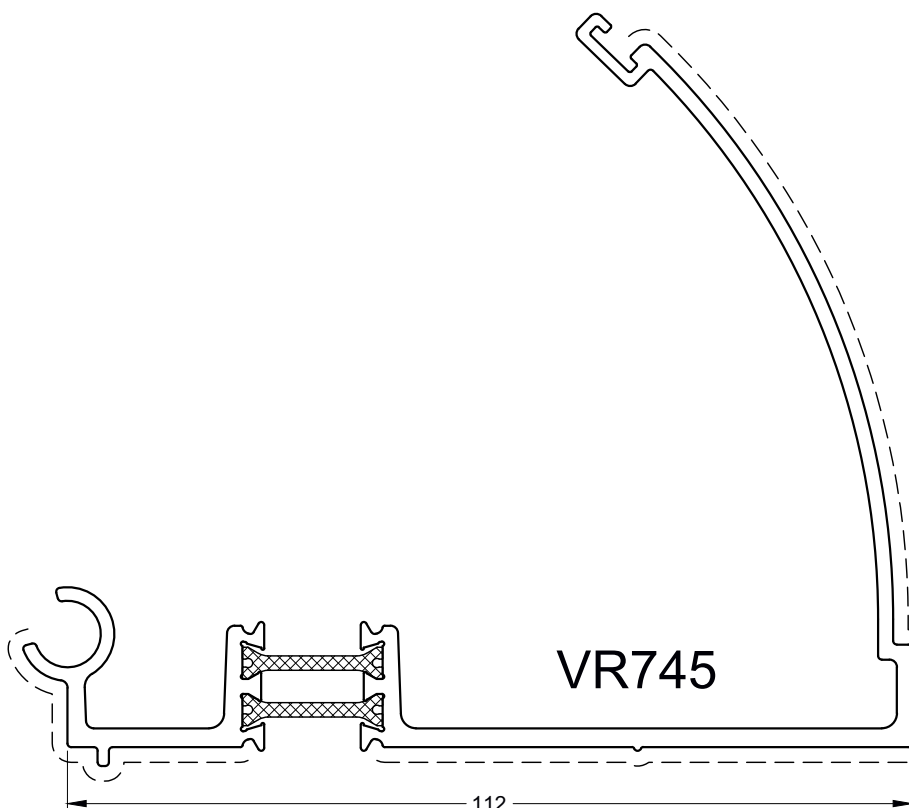
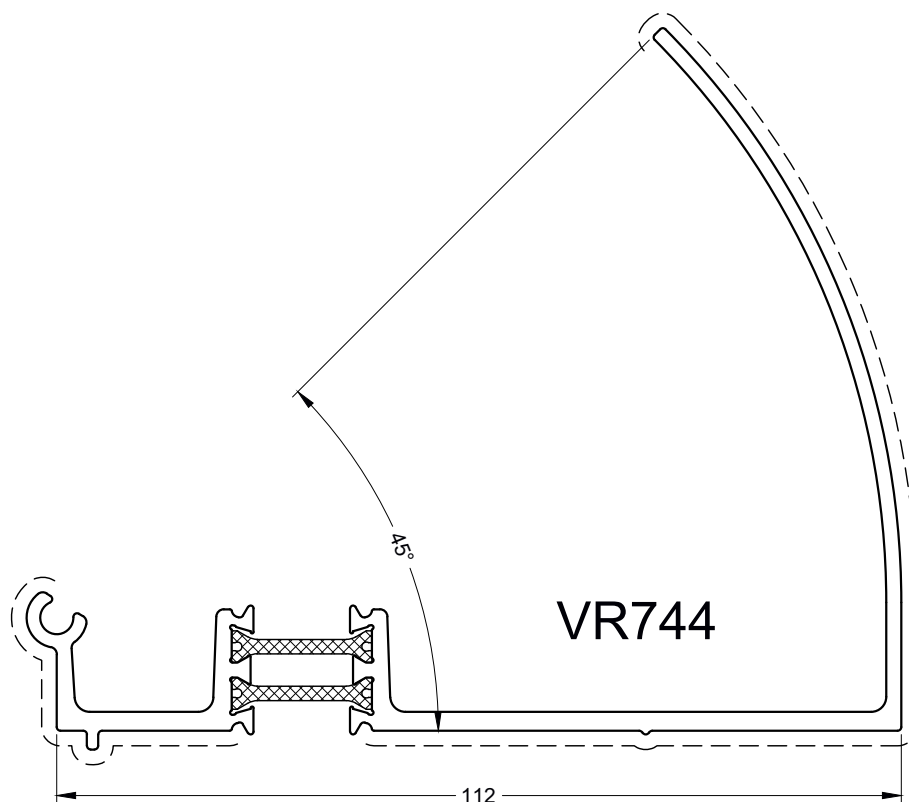
Primaire zichtzijde  
Côté visible primaire

Primäre sichtbare Seite  
Primary visible side

25/6/15

# VR700

VARIABLE HOEKPROFIELEN  
POTEAUX D'ANGLE VARIABLE  
VARIABLE ECKPROFILE  
VARIABLE CORNER PROFILES



VR744-745

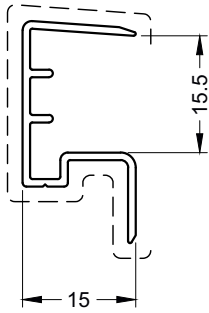
Primaire zichtzijde  
Côté visible primaire

Primäre sichtbare Seite  
Primary visible side

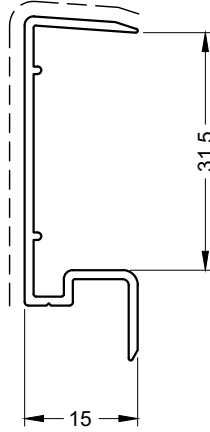


# VR700

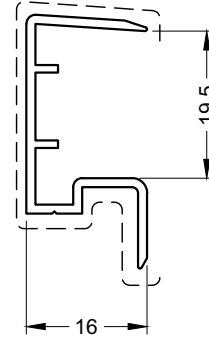
CONDENSATIEPROFIEL  
 OBRUATEUR DE PLAQUE  
 ABSCHLUSSPROFIL  
 CONDENSATION PRO



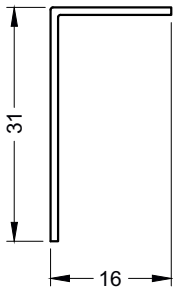
VR040



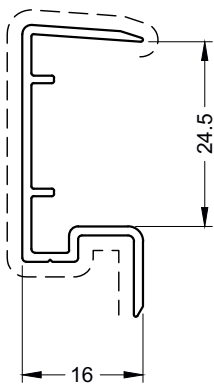
VR041



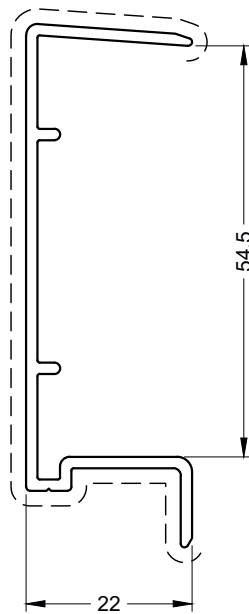
VR043



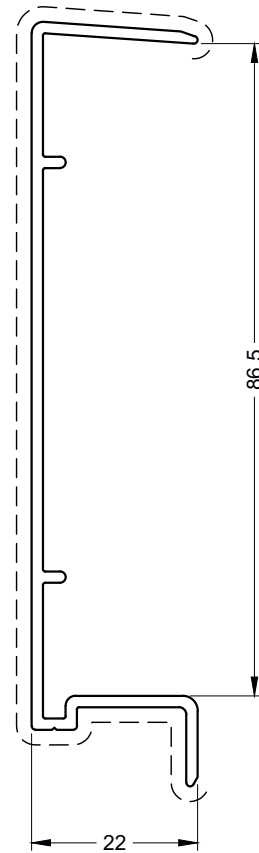
VR042



VR044



VR047



VR048

VR040-041-043-044-047-048

**aliplast**  
 member of



Primaire zichtzijde  
 Côté visible primaire

Primäre sichtbare Seite  
 Primary visible side

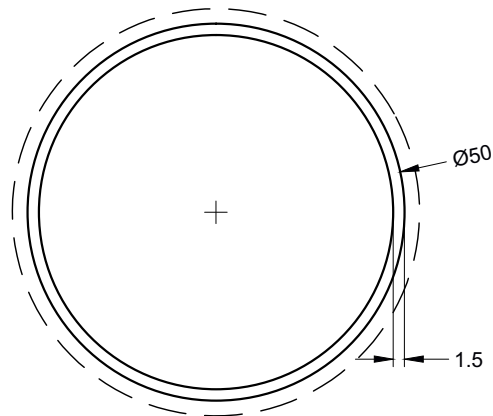
25/6/15

PROFIELEN - PROFILS-PROFILE - PROFILES

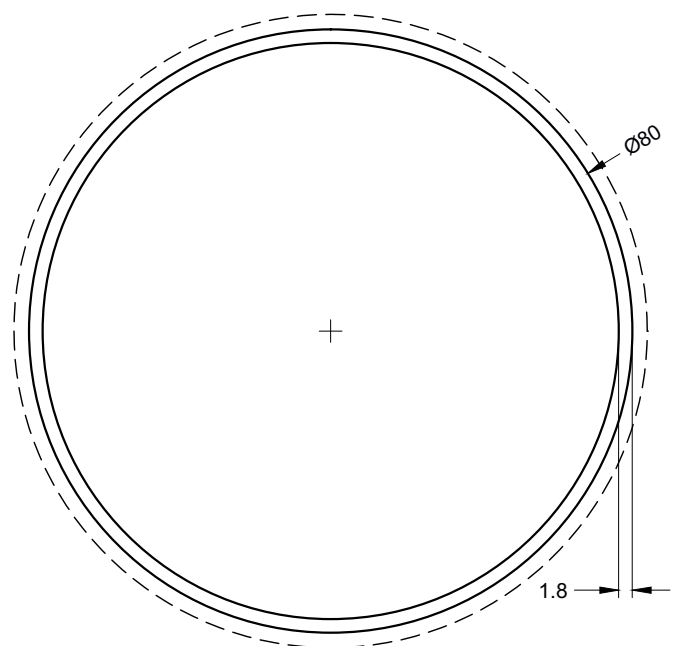
# VR700

RONDE BUIZEN  
TUBES RONDES  
RUNDE ROHR  
ROUND TUBES

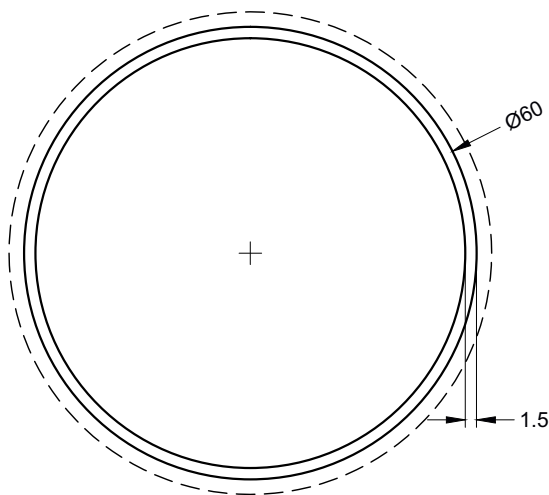
## UTL020



## UTL069



## UTL068




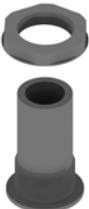



UTL020-068-069



Primaire zichtzijde  
Côté visible primaire

Primäre sichtbare Seite  
Primary visible side

# VR700

| AFBEELDING<br>IMAGE<br>BILD<br>PICTURE  | OMSCHRIJVING<br>DESCRIPTION<br>BESCHREIBUNG<br>DESCRIPTION   | TOEPASSING<br>APPLICATION<br>ANWENDUNG<br>APPLICATION      | VERP.PER<br>EMB.PAR<br>PACK PR.<br>PACK PR. |
|---|--|--|---|
|    | <p><b>ACVR020</b></p> <p>VARIABLE VERBINDING GOOT<br/>RACCORD VARIABLE GOUTTIERE<br/>VERSTELBARE VERBINDUNG RINNE<br/>VARIABLE CONNECTIONPIECE GUTTER</p>    | VR621  | 1   |
|    | <p><b>ACVR021</b></p> <p>OVERLOOP<br/>TROP-PLEIN<br/>UBERLAUFEN KONTROLLE<br/>OVERFLOW CONTROL</p>   | VR621  | 1   |
|  | <p><b>ACVR109</b></p> <p>DICHTINGSRUBBER MUUR<br/>JOINT MURAL<br/>ABDICHTUNGSGUMMI MAUER<br/>SEALSTRIP WALL</p>  | VR625  | 50M   |
|  | <p><b>ACVR140</b></p> <p>ZELFKLEVENDE EPDM 500x500x2mm<br/>EPDM AUTOCOLLANT 500x500x2mm<br/>SELBSTKLEBEND EPDM 500x500x2mm<br/>SELF-ADHESIVE 500x500x2mm</p> | <p>ACVR730<br/>ACVR731<br/>ACVR732<br/>ACVR733<br/>...</p> | 1   |
|  | <p><b>ACVR190</b></p> <p>BEVESTIGING VOOR LIGGER<br/>FIXATION POUR CHEVRON<br/>FIXIERUNG FÜR SPARRE<br/>FIXING FOR ROOF BEAM</p>                             | <p>VR709<br/>VR711<br/>...</p>                             | 10  |

# VR700

AFBEELDING  
IMAGE  
BILD  
PICTURE

OMSCHRIJVING  
DESCRIPTION  
BESCHREIBUNG  
DESCRIPTION

TOEPASSING  
APLPLICATION  
ANWENDUNG  
APPLICATION

VERP.PER  
EMB.PAR  
PACK PR.  
PACK PR.



## ACVR218

ACVR520 1

HALOGEENLAMP 35W  
LAMPE HALOGÈNE 35W  
HALOGENLAMPE 35W  
SPOT BULB HALOGEN 35W



## ACVR219

ACVR2187 1  
VR711

TRANSFO 200VA-230/12  
TRANSFO 200VA-230/12  
TRANSFO 200VA-230/12  
TRANSFO 200VA-230/12

## ACVR313

VR621 50M

DICHTINGSRUBBER GOOT  
JOINT D'ÉTANCHEITÉ GOUTIÈRE  
ABDICHTUNGSGUMMI RINNE  
SEALSTRIP GUTTER



## ACVR516

VR710 1

INBOUWSPOT VAST 220V - INCL LAMP 50W  
SPOT ENCASTRABLE FIXE 220V - INCL LAMPE 50W  
EINBAU SPOT FEST 220V - INKL LAMPE 50W  
BUILT-IN SPOTLIGHT FIXED 220V - INCL LAMP 50W

BOOR - TROU - LOCH - HOLE: DIAMETER 49mm



## ACVR517

VR710 1

INBOUWSPOT WENTELBAAR 12V - INCL LAMP 20W  
SPOT ENCASTRABLE PIVOT 12V - INCL LAMPE 50W  
EINBAU SPOT BEWEG. 12V - INKL LAMPE 20W  
BUILT-IN SPOTLIGHT PIVOT 12V - INCL LAMP 20W

BOOR - TROU - LOCH - HOLE: DIAMETER 49mm

# VR700

AFBEELDING  
IMAGE  
BILD  
PICTURE

OMSCHRIJVING  
DESCRIPTION  
BESCHREIBUNG  
DESCRIPTION

TOEPASSING  
APPLICATION  
ANWENDUNG  
APPLICATION

VERP.PER  
EMB.PAR  
PACK PR.  
PACK PR.



## ACVR519

VR710

1

SPOT 220V - INCL LAMP 50W  
SPOT 220V - INCL LAMPE 50W  
SPOTLIGHT 220V - INKL LAMPE 50W  
SPOTLIGHT 220V - INCL LAMP 50W

BOOR - TROU - LOCH - HOLE: DIAMETER 30mm



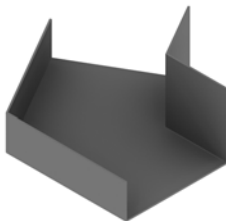
## ACVR519

VR710

1

SPOTHOUDER  
ARMATURE SPOT  
LAMPEN PASSUNG  
SPOTHOLDER

BOOR - TROU - LOCH - HOLE: DIAMETER 43mm



## ACVR605

VR621

1

KOPPELSTUK  
PIÈCE RACCORD  
VERBINDUNGSSTÜCK  
COUPLING PIECE

op bestelling, sur commande  
auf Bestellung, on demand



## ACVR610

VR621

1

VARIABEL KOPPELSTUK  
PIÈCE RACCORD VARIABLE  
VERSTELBAR VERBINDUNGSSTÜCK  
ADJUSTABLE COUPLING PIECE



## ACVR620



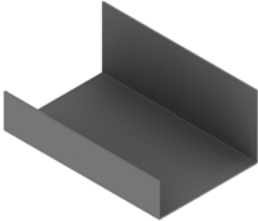


VR621

100M



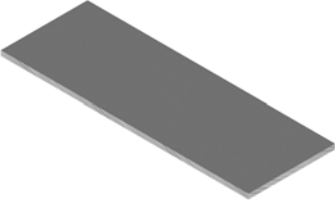
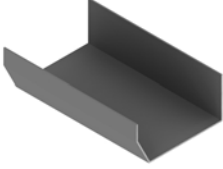
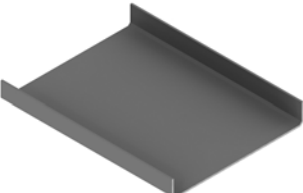
RUBBER  
JOINT  
GUMMI  
GASKET

TOEBEHOREN - ACCESSOIRES - ZUBEHÖRTEILE - ACCESSORIES

# VR700






| AFBEELDING<br>IMAGE<br>BILD<br>PICTURE  | OMSCHRIJVING<br>DESCRIPTION<br>BESCHREIBUNG<br>DESCRIPTION  | TOEPASSING<br>APLPLICATION<br>ANWENDUNG<br>APPLICATION | VERP.PER<br>EMB.PAR<br>PACK PR.<br>PACK PR. |
|---|---|--|---|
|    | <b>ACVR621</b><br><br>EINDPLAAT VOOR VR621<br>PLAQUE POUR VR621<br>ENDSTÜCK FÜR VR621<br>ENDPIECE FOR VR621   | VR621  | 1   |
|    | <b>ACVR622</b><br><br>EINDPLAAT VOOR VR621 EN VT123<br>PLAQUE POUR VR621 ET VT123<br>ENDSTÜCK FÜR VR621 UND VT123<br>ENDPIECE FOR VR621 AND VT123     | VR621<br>VT123   | 1   |
|  | <b>ACVR624</b><br><br>DILATATIESTUK<br>PIÈCE DE DILATATION<br>DILATATION<br>CONNECTION PIECE  | VR621  | 1   |
|  | <b>ACVR625</b><br><br>EINDPLAAT VOOR VR625<br>PLAQUE POUR VR625<br>ENDSTÜCK FÜR VR625<br>ENDPIECE FOR VR625   | VR625  | 1   |
|  | <b>ACVR626</b><br><br>EINDPLAAT VOOR VR621 EN VR9522<br>PLAQUE POUR VR621 ET VR9522<br>ENDSTÜCK FÜR VR621 UND VR9522<br>ENDPIECE FOR VR621 AND VR9522 | VR621<br>VR9522  | 1   |

# VR700

| AFBEELDING<br>IMAGE<br>BILD<br>PICTURE  | OMSCHRIJVING<br>DESCRIPTION<br>BESCHREIBUNG<br>DESCRIPTION   | TOEPASSING<br>APPLICATION<br>ANWENDUNG<br>APPLICATION | VERP.PER<br>EMB.PAR<br>PACK PR.<br>PACK PR. |
|---|--|---|---|
|    | <p><b>ACVR627</b></p> <p>EINDPLAAT VOOR VR621 EN VR9523<br/>           PLAQUE POUR VR621 ET VR9523<br/>           ENDSTÜCK FÜR VR621 UND VR9523<br/>           ENDPiECE FOR VR621 AND VR9523</p> | <p>VR621<br/>VR9523</p>                               | 1   |
|    | <p><b>ACVR702</b></p> <p>DICHTINGSRUBBER MUUR<br/>           JOINT MURAL<br/>           ABDICHTUNGSGUMMI MAUER<br/>           SEALSTRIP WALL</p>   | VR716   | 25M   |
|  | <p><b>ACVR723</b></p> <p>KOPPELSTUK<br/>           PIÈCE RACCORD<br/>           VERBINDUNGSSTÜCK<br/>           COUPLING PIECE</p>   | <p>VR720<br/>VR723<br/>VR724</p>                      | 1   |
|  | <p><b>ACVR724</b></p> <p>KOPPELSTUK<br/>           PIÈCE RACCORD<br/>           VERBINDUNGSSTÜCK<br/>           COUPLING PIECE</p>   | VR720   | 1   |
|  | <p><b>ACVR728</b></p> <p>KOPPELSTUK<br/>           PIÈCE RACCORD<br/>           VERBINDUNGSSTÜCK<br/>           COUPLING PIECE</p>   | VR751   | 1   |






TOEBEHOREN - ACCESSOIRES - ZUBEHÖRTEILE - ACCESSORIES

# VR700

| AFBEELDING<br>IMAGE<br>BILD<br>PICTURE  | OMSCHRIJVING<br>DESCRIPTION<br>BESCHREIBUNG<br>DESCRIPTION   | TOEPASSING<br>APLPLICATION<br>ANWENDUNG<br>APPLICATION | VERP.PER<br>EMB.PAR<br>PACK PR.<br>PACK PR. |
|---|--|--|---|
|    | <p><b>ACVR730</b></p> <p>EINDPLAAT VOOR VR720-VR723-VR723<br/>           PLAQUE POUR VR720-VR723-VR723<br/>           ENDSTÜCK FÜR VR720-VR723-VR723<br/>           ENDPiece FOR VR720-VR723-VR723</p> | <p>VR720<br/>VR723</p>                                 | 1   |
|    | <p><b>ACVR731</b></p> <p>EINDPLAAT VOOR VR716-VR729<br/>           PLAQUE POUR VR716-VR729<br/>           ENDSTÜCK FÜR VR716-VR729<br/>           ENDPiece FOR VR716-VR729</p>                         | <p>VR716<br/>VR729</p>                                 | 1   |
|  | <p><b>ACVR732</b></p> <p>EINDPLAAT VOOR VR720-VR723<br/>           PLAQUE POUR VR720-VR723<br/>           ENDSTÜCK FÜR VR720-VR723<br/>           ENDPiece FOR VR720-VR723</p>                         | <p>VR720<br/>VR723</p>                                 | 1   |
|  | <p><b>ACVR733</b></p> <p>EINDPLAAT VOOR VR720-VR724<br/>           PLAQUE POUR VR720-VR724<br/>           ENDSTÜCK FÜR VR720-VR724<br/>           ENDPiece FOR VR720-VR724</p>                         | <p>VR720<br/>VR724</p>                                 | 1   |
|  | <p><b>ACVR734</b></p> <p>EINDPLAAT VOOR VR716-VR728<br/>           PLAQUE POUR VR716-VR728<br/>           ENDSTÜCK FÜR VR716-VR728<br/>           ENDPiece FOR VR716-VR728</p>                         | <p>VR716<br/>VR728</p>                                 | 1   |




# VR700

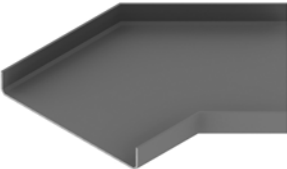
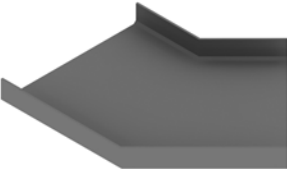



| AFBEELDING<br>IMAGE<br>BILD<br>PICTURE  | OMSCHRIJVING<br>DESCRIPTION<br>BESCHREIBUNG<br>DESCRIPTION   | TOEPASSING<br>APPLICATION<br>ANWENDUNG<br>APPLICATION | VERP.PER<br>EMB.PAR<br>PACK PR.<br>PACK PR. |
|---|--|---|---|
|    | <b>ACVR735</b><br><br>EINDPLAAT VOOR VR718<br>PLAQUE POUR VR718<br>ENDSTÜCK FÜR VR718<br>ENDPIECE FOR VR718  | VR718   | 1   |
|    | <b>ACVR736</b><br><br>EINDPLAAT VOOR VR752-VR723<br>PLAQUE POUR VR752-VR723<br>ENDSTÜCK FÜR VR752-VR723<br>ENDPIECE FOR VR752-VR723  | VR752<br>VR723  | 1   |
|  | <b>ACVR737</b><br><br>EINDPLAAT VOOR VR752-VR723-VR723<br>PLAQUE POUR VR752-VR723-VR723<br>ENDSTÜCK FÜR VR752-VR723-VR723<br>ENDPIECE FOR VR752-VR723-VR723                            | VR752<br>VR723  | 1   |
|  | <b>ACVR738</b><br><br>EINDPLAAT VOOR VR752-VR724<br>PLAQUE POUR VR752-VR724<br>ENDSTÜCK FÜR VR752-VR724<br>ENDPIECE FOR VR752-VR724  | VR752<br>VR724  | 1   |
|  | <b>ACVR741</b><br><br>KOPPELSTUK NOORDBOOM - LIGGER<br>PIÈCE DE RACCORD POUR ARRÊTIER - CHEVRON<br>VERBINDUNGSTÜCK FÜR GRATS-PARREN - TRAGER<br>COUPLING PIECE FOR HIP RAFTER - RAFTER | VR770<br>VR709  | 1   |

TOEBEHOREN - ACCESSOIRES - ZUBEHÖRTEILE - ACCESSORIES






# VR700

| AFBEELDING<br>IMAGE<br>BILD<br>PICTURE  | OMSCHRIJVING<br>DESCRIPTION<br>BESCHREIBUNG<br>DESCRIPTION   | TOEPASSING<br>APLPLICATION<br>ANWENDUNG<br>APPLICATION | VERP.PER<br>EMB.PAR<br>PACK PR.<br>PACK PR. |
|---|--|--|---|
|    | <b>ACVR745</b><br>T-VERBINDER VERSTELBAAR VOOR NOORDBOOM<br>JONCTION-T REGLABLE POUR ARETIER<br>T-VERBINDER VERSTELLBAR FÜR GRATSPARREN<br>T-BRACKET ADJUSTABLE FOR HIP RAFTER | VR776<br>VR777   | 1   |
|    | <b>ACVR749</b><br>AFDICHTINGSRUBBER<br>JOINT D'ÉTANCHÉITÉ<br>DICHTUNGSGUMMI<br>WEATHERING GASKET   | VR716<br>VR720   | 25M   |
|  | <b>ACVR750</b><br>AFDICHTINGSRUBBER<br>JOINT D'ÉTANCHÉITÉ<br>DICHTUNGSGUMMI<br>WEATHERING GASKET   | VR711  | 50M   |
|  | <b>ACVR759A</b><br>KOPPELSTUK<br>PIÈCE RACCORD<br>VERBINDUNGSSTÜCK<br>COUPLING PIECE<br><br>op bestelling, sur commande<br>auf Bestellung, on demand                           | VR720  | 1   |
|  | <b>ACVR759B</b><br>KOPPELSTUK<br>PIÈCE RACCORD<br>VERBINDUNGSSTÜCK<br>COUPLING PIECE<br><br>op bestelling, sur commande<br>auf Bestellung, on demand                           | VR720  | 1   |






# VR700

| AFBEELDING<br>IMAGE<br>BILD<br>PICTURE  | OMSCHRIJVING<br>DESCRIPTION<br>BESCHREIBUNG<br>DESCRIPTION  | TOEPASSING<br>APPLICATION<br>ANWENDUNG<br>APPLICATION | VERP.PER<br>EMB.PAR<br>PACK PR.<br>PACK PR. |
|---|---|---|---|
|    | <p><b>ACVR760A</b></p> <p>KOPPELSTUK<br/>PIÈCE RACCORD<br/>VERBINDUNGSSTÜCK<br/>COUPLING PIECE</p>  | VR751   | 1   |
| <p>op bestelling, sur commande<br/>auf Bestellung, on demand</p>                    |   |   |   |
|    | <p><b>ACVR760B</b></p> <p>KOPPELSTUK<br/>PIÈCE RACCORD<br/>VERBINDUNGSSTÜCK<br/>COUPLING PIECE</p>  | VR751   | 1   |
| <p>op bestelling, sur commande<br/>auf Bestellung, on demand</p>                    |   |   |   |
|  | <p><b>ACVR761</b></p> <p>EINDPLAAT VOOR VR711 EN VR730<br/>PLAQUE POUR VR711 ET VR730<br/>ENDSTÜCK FÜR VR711 UND VR730<br/>ENDPIECE FOR VR711 AND VR730</p> | VR711<br>VR730  | 1   |
|  | <p><b>ACVR762</b></p> <p>EINDPLAAT VOOR VR711 EN VR731<br/>PLAQUE POUR VR711 ET VR731<br/>ENDSTÜCK FÜR VR711 UND VR731<br/>ENDPIECE FOR VR711 AND VR731</p> | VR711<br>VR731  | 1   |
|  | <p><b>ACVR763</b></p> <p>EINDPLAAT VOOR VR711 EN VR732<br/>PLAQUE POUR VR711 ET VR732<br/>ENDSTÜCK FÜR VR711 UND VR732<br/>ENDPIECE FOR VR711 AND VR732</p> | VR711<br>VR732  | 1   |

# VR700






| AFBEELDING<br>IMAGE<br>BILD<br>PICTURE  | OMSCHRIJVING<br>DESCRIPTION<br>BESCHREIBUNG<br>DESCRIPTION  | TOEPASSING<br>APLPLICATION<br>ANWENDUNG<br>APPLICATION | VERP.PER<br>EMB.PAR<br>PACK PR.<br>PACK PR. |
|---|---|--|---|
|    | <p><b>ACVR764</b></p> <p>EINDPLAAT VOOR VR711 + GLASLATTEN<br/>PLAQUE POUR VR711 + PARCLOSES<br/>ENDSTÜCK FÜR VR711 + GLASLEISTE<br/>ENDPIECE FOR VR711 + GLAZING BEADS</p> | <p>VR711<br/>VR760<br/>vr762<br/>...</p>               | 1   |
|    | <p><b>ACVR766</b></p> <p>EINDPLAAT VOOR VR709 EN VR730<br/>PLAQUE POUR VR709 ET VR730<br/>ENDSTÜCK FÜR VR709 UND VR730<br/>ENDPIECE FOR VR709 AND VR730</p>                 | <p>VR709<br/>VR730</p>                                 | 1   |
|  | <p><b>ACVR767</b></p> <p>EINDPLAAT VOOR VR709 EN VR731<br/>PLAQUE POUR VR709 ET VR731<br/>ENDSTÜCK FÜR VR709 UND VR731<br/>ENDPIECE FOR VR709 AND VR731</p>                 | <p>VR709<br/>VR731</p>                                 | 1   |
|  | <p><b>ACVR768</b></p> <p>EINDPLAAT VOOR VR709 EN VR732<br/>PLAQUE POUR VR709 ET VR732<br/>ENDSTÜCK FÜR VR709 UND VR732<br/>ENDPIECE FOR VR709 AND VR732</p>                 | <p>VR709<br/>VR732</p>                                 | 1   |
|  | <p><b>ACVR769</b></p> <p>EINDPLAAT VOOR VR709 + GLASLATTEN<br/>PLAQUE POUR VR709 + PARCLOSES<br/>ENDSTÜCK FÜR VR709 + GLASLEISTE<br/>ENDPIECE FOR VR709 + GLAZING BEADS</p> | <p>VR709<br/>VR760<br/>VR762<br/>...</p>               | 1   |

# VR700

| AFBEELDING<br>IMAGE<br>BILD<br>PICTURE  | OMSCHRIJVING<br>DESCRIPTION<br>BESCHREIBUNG<br>DESCRIPTION  | TOEPASSING<br>APPLICATION<br>ANWENDUNG<br>APPLICATION | VERP.PER<br>EMB.PAR<br>PACK PR.<br>PACK PR. |
|---|---|---|---|
|    | <b>ACVR771</b><br><br>EINDPLAAT VOOR VR712 EN VR735<br>PLAQUE POUR VR712 ET VR735<br>ENDSTÜCK FÜR VR712 UND VR735<br>ENDPIECE FOR VR712 AND VR735                 | VR712<br>VR735  | 1   |
|    | <b>ACVR772</b><br><br>EINDPLAAT VOOR VR712 EN VR736<br>PLAQUE POUR VR712 ET VR736<br>ENDSTÜCK FÜR VR712 UND VR736<br>ENDPIECE FOR VR712 AND VR736                 | VR712<br>VR736  | 1   |
|  | <b>ACVR773</b><br><br>EINDPLAAT VOOR VR712 EN VR737<br>PLAQUE POUR VR712 ET VR737<br>ENDSTÜCK FÜR VR712 UND VR737<br>ENDPIECE FOR VR712 AND VR737                 | VR712<br>VR737  | 1   |
|  | <b>ACVR774</b><br><br>EINDPLAAT VOOR VR712 + GLASLATTEN<br>PLAQUE POUR VR712 + PARCLOSES<br>ENDSTÜCK FÜR VR712 + GLASLEISTE<br>ENDPIECE FOR VR712 + GLAZING BEADS | VR712<br>VR760<br>VR762<br>...                        | 1   |
|  | <b>ACVR776</b><br><br>EINDPLAAT VOOR VR719 EN VR735<br>PLAQUE POUR VR719 ET VR735<br>ENDSTÜCK FÜR VR719 UND VR735<br>ENDPIECE FOR VR719 AND VR735                 | VR719<br>VR735  | 1   |

TOEBEHOREN - ACCESSOIRES - ZUBEHÖRTEILE - ACCESSORIES

# VR700

| AFBEELDING<br>IMAGE<br>BILD<br>PICTURE  | OMSCHRIJVING<br>DESCRIPTION<br>BESCHREIBUNG<br>DESCRIPTION   | TOEPASSING<br>APLPLICATION<br>ANWENDUNG<br>APPLICATION | VERP.PER<br>EMB.PAR<br>PACK PR.<br>PACK PR. |
|---|--|--|---|
|    | <p><b>ACVR777</b></p> <p>EINDPLAAT VOOR VR719 EN VR736<br/>PLAQUE POUR VR719 ET VR736<br/>ENDSTÜCK FÜR VR719 UND VR736<br/>ENDPIECE FOR VR719 AND VR736</p>                  | <p>VR719<br/>VR736</p>                                 | 1   |
|    | <p><b>ACVR778</b></p> <p>EINDPLAAT VOOR VR719 EN VR737<br/>PLAQUE POUR VR719 ET VR737<br/>ENDSTÜCK FÜR VR719 UND VR737<br/>ENDPIECE FOR VR719 AND VR737</p>                  | <p>VR719<br/>VR737</p>                                 | 1   |
|  | <p><b>ACVR779</b></p> <p>EINDPLAAT VOOR VR719 + GLASLATTEN<br/>PLAQUE POUR VR719 + PARCLOSES<br/>ENDSTÜCK FÜR VR719 + GLASLEISTE<br/>ENDPIECE FOR VR719 + GLAZING BEADS</p>  | <p>VR719<br/>VR760<br/>VR762<br/>...</p>               | 1   |
|  | <p><b>ACVR781</b></p> <p>EINDPLAAT VOOR NOORDBOOM MET KAP<br/>PLAQUE POUR ARRÊTIER AVEC CAPOT<br/>ENDSTÜCK FÜR GRATSPARREN UND KAPPE<br/>ENDPIECE FOR HIP RAFTER AND CAP</p> | <p>VR770<br/>VR772<br/>VR773</p>                       | 1   |
|  | <p><b>ACVR782</b></p> <p>EINDPLAAT VOOR NOORDBOOM MET KAP<br/>PLAQUE POUR ARRÊTIER AVEC CAPOT<br/>ENDSTÜCK FÜR GRATSPARREN UND KAPPE<br/>ENDPIECE FOR HIP RAFTER AND CAP</p> | <p>VR775<br/>VR772<br/>VR773</p>                       | 1   |

# VR700

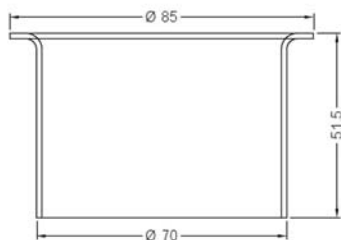
| AFBEELDING<br>IMAGE<br>BILD<br>PICTURE | OMSCHRIJVING<br>DESCRIPTION<br>BESCHREIBUNG<br>DESCRIPTION   | TOEPASSING<br>APPLICATION<br>ANWENDUNG<br>APPLICATION | VERP.PER<br>EMB.PAR<br>PACK PR.<br>PACK PR. |
|--|--|---|---|
|  | <p><b>ACVR783</b></p> <p>EINDPLAAT VOOR NOORDBOOM<br/>PLAQUE POUR ARRÊTIER<br/>ENDSTÜCK FÜR GRATSPARREN<br/>ENDPIECE FOR HIP RAFTER</p>                              | <p>VR775<br/>ACVR750</p>                              | 1   |
|  | <p><b>ACVR790</b></p> <p>AFDICHTINGSRUBBER<br/>JOINT D'ÉTANCHEITÉ<br/>DICHTUNGSGUMMI<br/>SEALING GASKET</p>  | VR720   | 50m   |
|  | <p><b>ACVR796</b></p> <p>EINDPLAAT VOOR VR776 EN VR777<br/>PLAQUE POUR VR776 ET VR777<br/>ENDSTÜCK FÜR VR776 UND VR777<br/>ENDPIECE FOR VR776 AND VR777</p>          | <p>VR776<br/>VR777</p>                                | 1   |
|  | <p><b>ACVR2227</b></p> <p>WATERAFVOER PVC VOOR GOOT<br/>CRÉPINE PVC POUR GOUTTIÈRE<br/>REGENABFÜR PVC FÜR RINNE<br/>LEAT TRAP PVC FOR GUTTER</p>                     | VR711   | 1   |
|  | <p><b>ACVR2229</b></p> <p>WATERAFVOER PVC VOOR GOOT Ø 60<br/>CRÉPINE PVC POUR GOUTTIÈRE Ø 60<br/>REGENABFÜR PVC FÜR RINNE Ø 60<br/>LEAT TRAP PVC FOR GUTTER Ø 60</p> | <p>VR720<br/>UTL020<br/>UTL068</p>                    | 1   |

# VR700

AFBEELDING  
IMAGE  
BILD  
PICTURE

OMSCHRIJVING  
DESCRIPTION  
BESCHREIBUNG  
DESCRIPTION

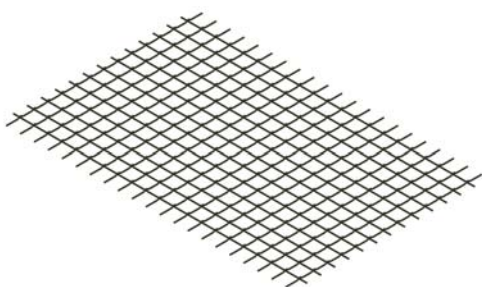
TOEPASSING  
APPLICATION  
VERP.PER  
EMB.PAR  
PACK PR.  
PACK PR.



## ACVR2230

WATERAFVOER PVC VOOR GOOT Ø 80  
CRÉPINE PVC POUR GOUTTIÈRE Ø 80  
REGENABFÜR PVC FÜR RINNE Ø 80  
LEAT TRAP PVC FOR GUTTER Ø 80

VR720 1  
UTL069

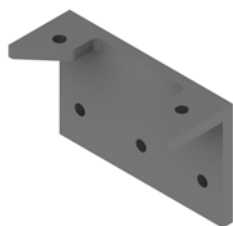


## ACVR6122

BLADBESCHERMING GOOT  
PROTECTION GOUTTIÈRE  
RINNE SCHUTZ  
GUTTER LEAF PROTECTION

6M x 140mm

VR720 1



## ACCR322

VERBINDINGSSTUK GOOT EN PAAL  
PIÈCE DE JONCTION GOUTTIÈRE ET POTEAU  
VERBINDUNG RINNE UND PFAHL  
CONNECTION PIECE GUTTER AND POST

VR720 1  
VR621



## ACDR050

DIN7981 4.8 X 32

20








## ACDR052

DIN7981 4.8 X 50

200








# VR700



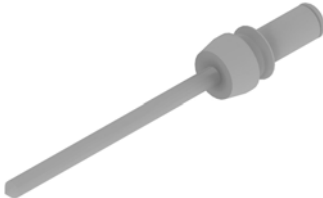
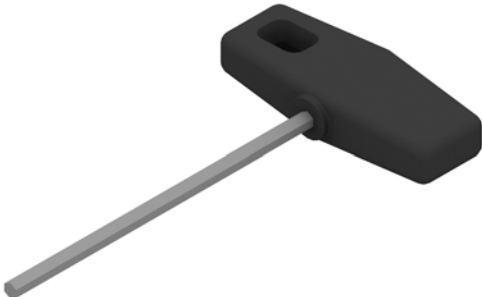

| AFBEELDING<br>IMAGE<br>BILD<br>PICTURE  | OMSCHRIJVING<br>DESCRIPTION<br>BESCHREIBUNG<br>DESCRIPTION   | TOEPASSING<br>APLPLICATION<br>ANWENDUNG<br>APPLICATION | VERP.PER<br>EMB.PAR<br>PACK PR.<br>PACK PR. |
|---|--|--|---|
|    | <b>ACFT075</b><br><br>KOPPELINGSRUBBER<br>JOINT DE JONCTION<br>KUPPLUNGSDICHTUNG<br>LINKING GASKET   |  | 100M  |
|    | <b>ACMC015</b><br><br>BEGLAZINGSRUBBER BINNEN 13mm<br>JOINT DE VITRAGE INTÉRIEUR 13mm<br>GLASDICHTUNG INNEN 13mm<br>GLAZING GASKET INSIDE 13mm | VR709<br>VR711<br>VR717                                | 100M  |
|  | <b>ACMC016</b><br><br>BEGLAZINGSRUBBER BINNEN 3mm<br>JOINT DE VITRAGE INTÉRIEUR 3mm<br>GLASDICHTUNG INNEN 3mm<br>GLAZING GASKET INSIDE 3mm     | VR709<br>VR711<br>VR717                                | 150M  |
|  | <b>ACMC115</b><br><br>BEGLAZINGSRUBBER BINNEN 15mm<br>JOINT DE VITRAGE INTÉRIEUR 15mm<br>GLASDICHTUNG INNEN 15mm<br>GLAZING GASKET INSIDE 15mm | VR709<br>VR711<br>VR717                                | 100M  |
|  | <b>ACMC116</b><br><br>BEGLAZINGSRUBBER BINNEN 5mm<br>JOINT DE VITRAGE INTÉRIEUR 5mm<br>GLASDICHTUNG INNEN 5mm<br>GLAZING GASKET INSIDE 5mm     | VR709<br>VR711<br>VR717                                | 150M  |

TOEBEHOREN - ACCESSOIRES - ZUBEHÖRTEILE - ACCESSORIES

# VR700

| AFBEELDING<br>IMAGE<br>BILD<br>PICTURE  | OMSCHRIJVING<br>DESCRIPTION<br>BESCHREIBUNG<br>DESCRIPTION   | TOEPASSING<br>APLPLICATION<br>ANWENDUNG<br>APPLICATION | VERP.PER<br>EMB.PAR<br>PACK PR.<br>PACK PR. |
|---|--|--|---|
|    | <b>ACMC706</b><br><br>BEGLAZINGSRUBBER BINNEN 6mm<br>JOINT DE VITRAGE INTÉRIEUR 6mm<br>GLASDICHUNG INNEN 6mm<br>GLAZING GASKET INSIDE 6mm        | VR709<br>VR711<br>VR717                                | 100M  |
|    | <b>ACMC716</b><br><br>BEGLAZINGSRUBBER BINNEN 16mm<br>JOINT DE VITRAGE INTÉRIEUR 16mm<br>GLASDICHUNG INNEN 16mm<br>GLAZING GASKET INSIDE 16mm    | VR709<br>VR711<br>VR717                                | 100M  |
|  | <b>ACMS02</b><br><br>DICHTING<br>JOINT D'ÉTANCHEITÉ<br>ABDICHTUNGSGUMMI<br>SEALSTRIP   | VR720  | 40M   |
|  | <b>ACUN033</b><br><br>BINNENBEGLAZINGSDICHTING<br>JOINT DE VITRAGE INTERIEUR<br>INNENVERGLASUNGSDICHTUNG<br>INNER GLAZING GASKET<br><br>3 - 5 MM |  | 100M  |
|  | <b>ACUN036</b><br><br>BINNENBEGLAZINGSDICHTING<br>JOINT DE VITRAGE INTERIEUR<br>INNENVERGLASUNGSDICHTUNG<br>INNER GLAZING GASKET<br><br>6 - 8 MM |  | 100M  |

# VR700

| AFBEELDING<br>IMAGE<br>BILD<br>PICTURE  | OMSCHRIJVING<br>DESCRIPTION<br>BESCHREIBUNG<br>DESCRIPTION   | TOEPASSING<br>APPLICATION<br>ANWENDUNG<br>APPLICATION          | VERP.PER<br>EMB.PAR<br>PACK PR.<br>PACK PR. |
|---|--|--|---|
|    | <p><b>ACVG31</b></p> <p>BEGLAZINGSDICHTING<br/>JOINT DE VITRAGE<br/>VERGLASUNGSDICHTUNG<br/>GLAZING GASKET</p> <p>3 MM</p>     | <p>VR730<br/>VR731<br/>VR732<br/>VR735<br/>VR736<br/>VR737</p> | <p>200M</p>                                 |
|    | <p><b>ACVG32</b></p> <p>BEGLAZINGSDICHTING<br/>JOINT DE VITRAGE<br/>VERGLASUNGSDICHTUNG<br/>GLAZING GASKET</p> <p>3 MM</p>     |  | <p>100M<br/>3000M</p>                       |
|  | <p><b>ACVL061</b></p> <p>Klinknagel<br/>Rivet<br/>Blindniete<br/>Rivet</p>   | <p>DV5010</p>  | <p>100</p>                                  |
|  | <p><b>ACVL150</b></p> <p>ZESKANTSLEUTEL 4MM<br/>CLÉ À SIX PANS 4MM<br/>SECHSKANTSCHLÜSSEL 4MM<br/>T-HANDLE HEXAGON KEY 4MM</p> |  | <p>1</p>                                    |
|  | <p><b>ACVL159</b></p> <p>SECONDENLIJM<br/>COLLE RAPIDE<br/>SEKUNDENLEIM<br/>CONTACTGLUE</p>                                    |  | <p>1</p>                                    |

# VR700

AFBEELDING  
IMAGE  
BILD  
PICTURE

OMSCHRIJVING  
DESCRIPTION  
BESCHREIBUNG  
DESCRIPTION

TOEPASSING  
APPLICATION  
ANWENDUNG  
APPLICATION

VERP.PER  
EMB.PAR  
PACK PR.  
PACK PR.



## ACMX09700

1

ALU-POLISH

OPGEPAST VOOR NATUURSTEEN EN METSELWERK  
ATTENTION POUR PIERRE DE TAILLE ET MAÇONNERIE  
ACHTUNG FÜR NATURSTEIN UND MAUERWERK  
ATTENTION FOR NATURAL STONE AND BRICKLAYING



## ACMX09761

1

MAXI-GLOSS



## ACMX09762

1

PERIODI-CLEAN



## ACMX09763

1

TEFLON SPRAY



## ACMX09764

1

MAXI-CLEANER

# VR700

| AFBEELDING<br>IMAGE<br>BILD<br>PICTURE  | OMSCHRIJVING<br>DESCRIPTION<br>BESCHREIBUNG<br>DESCRIPTION  | TOEPASSING<br>APPLICATION<br>ANWENDUNG<br>APPLICATION | VERP.PER<br>EMB.PAR<br>PACK PR.<br>PACK PR. |
|---|---|---|---|
|    | <b>ACMX09765</b><br><br>GLUE-CLEANER<br><br>KUISMIDDEL VOOR LIJM<br>NETTOYANT POUR COLLE<br>REINIGUNGSMITTEL FÜR KLEBER<br>CLEANER FOR GLUE       |   | 1   |
|   | <b>ACMX09766</b><br><br>SURFACE ACTIVATOR   |   | 1   |
|  | <b>ACMX09770</b><br><br>ROL ANDYWRAP 100MM<br>ROULEAU ANDYWRAP 100MM<br>ROLLE ANDYWRAP 100MM<br>ROLL ANDYWRAP 100MM                               |   | 1   |
|  | <b>ACMX09775</b><br><br>HOUDER ANDYWRAP<br>MANCHE ANDYWRAP<br>HALTER ANDYWRAP<br>GRIP ANDYWRAP  |   | 1   |
|  | <b>ACMX09801</b><br><br>BESCHERMTAPE 50MM (500M)<br>TAPE DE PROTECTION 50MM (500M)<br>SCHUTZ KLEBEBAND 50MM (500M)<br>PROTECTIVE TAPE 50MM (500M) |   | 1   |

TOEBEHOREN - ACCESSOIRES - ZUBEHÖRTEILE - ACCESSORIES

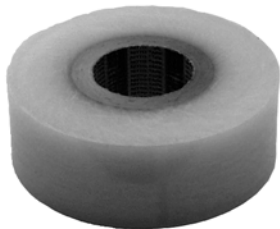
# VR700

AFBEELDING  
IMAGE  
BILD  
PICTURE

OMSCHRIJVING  
DESCRIPTION  
BESCHREIBUNG  
DESCRIPTION

TOEPASSING  
APLPLICATION  
ANWENDUNG  
APPLICATION

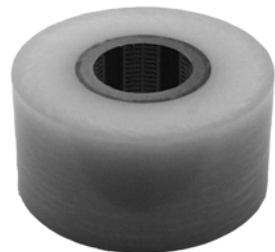
VERP.PER  
EMB.PAR  
PACK PR.  
PACK PR.



## ACMX09802

1

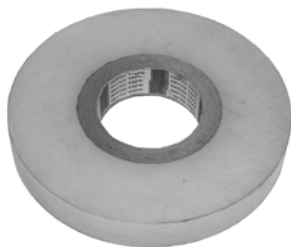
BESCHERMTAPE 70MM (500M)  
TAPE DE PROTECTION 70MM (500M)  
SCHUTZ KLEBEBAND 70MM (500M)  
PROTECTIVE TAPE 70MM (500M)



## ACMX09803

1

BESCHERMTAPE 100MM (500M)  
TAPE DE PROTECTION 100MM (500M)  
SCHUTZ KLEBEBAND 100MM (500M)  
PROTECTIVE TAPE 100MM (500M)



## ACMX09804

1

BESCHERMTAPE 35MM (500M)  
TAPE DE PROTECTION 35MM (500M)  
SCHUTZ KLEBEBAND 35MM (500M)  
PROTECTIVE TAPE 35MM (500M)



## ACMX09830

1

KLEEFSTOF VOOR EPDM-RUBBERS  
COLLE POUR EPDM-CAOUTCHOUC  
DICHTMASSE + KLEBESTOFF EPDM  
GUM FOR EPDM-RUBBER



## ACSIL04

1

AFDICHTINGSLIJMKIT VOOR VERSTEKNADEN  
JOINT D'ÉTANCHÉITÉ POUR ONGLETS  
LEIM FÜR ABDICHTUNG  
SEALINGGLUE

# VR700

AFBEELDING  
IMAGE  
BILD  
PICTURE

OMSCHRIJVING  
DESCRIPTION  
BESCHREIBUNG  
DESCRIPTION

TOEPASSING  
APPLICATION  
ANWENDUNG  
APPLICATION

VERP.PER  
EMB.PAR  
PACK PR.  
PACK PR.



## ACSIL08

1

SILICONENPOMP  
PISTOLET DOSEUR POUR LES TUBES SILICONES  
HANDKARTUSCHENPISTOLE FÜR DIE VERARBEITUNG  
VON SILIKONE UND LEIME  
SILICONE GUN



## ACSIL013

1

LIJM VOOR VERSTEKHOEK  
COLLE POUR ONGLET  
KLEBER FÜR GEHRUNG  
GLUE FOR MITRE



## ACSIL014

1

ANTICORRO - BESCHERMINGSPRODUKT  
ANTICORRO - PRODUIT DE PROTECTION  
ANTICORRO - SCHUTZPRODUKT  
ANTICORRO - PROTECTION PRODUCT

TOEBEHOREN - ACCESSOIRES - ZUBEHÖRTEILE - ACCESSORIES

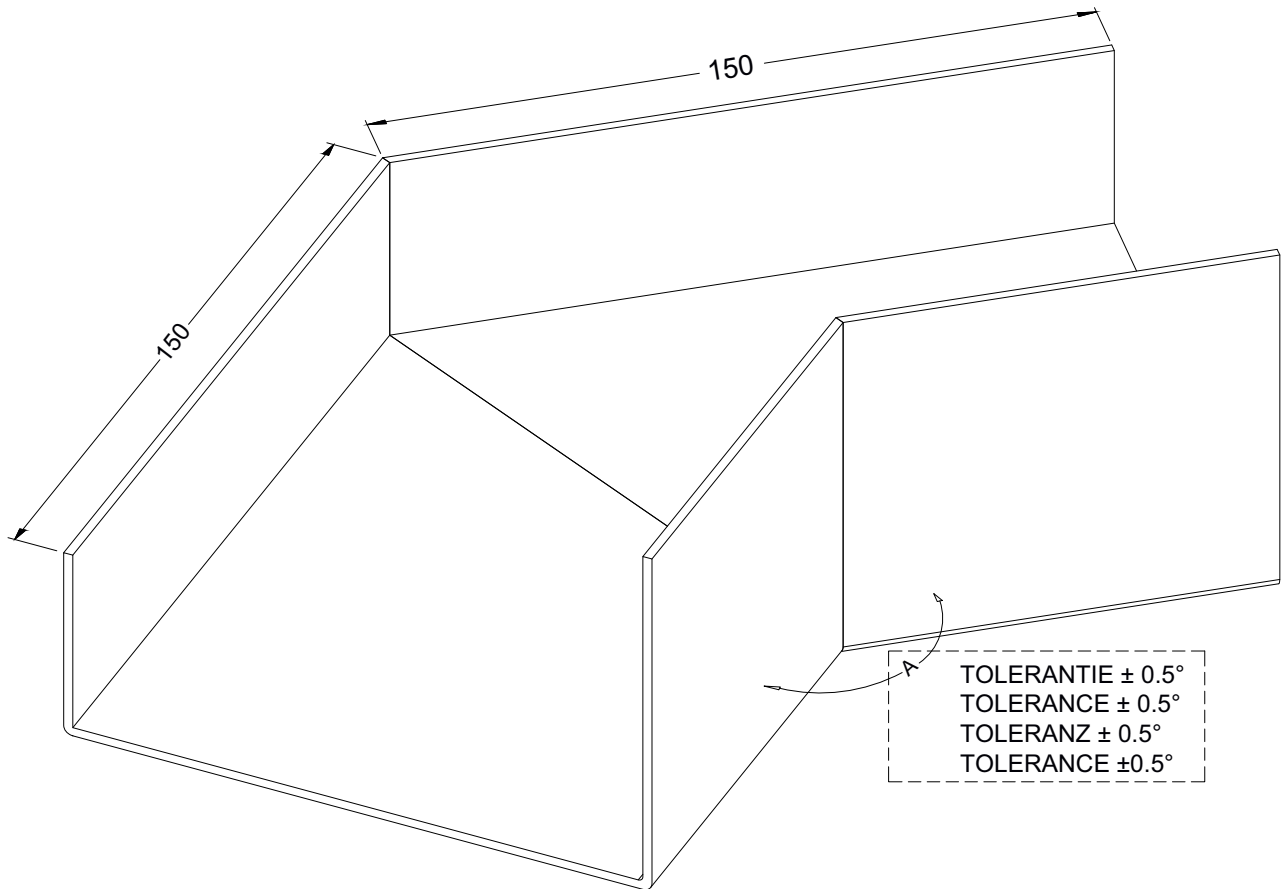
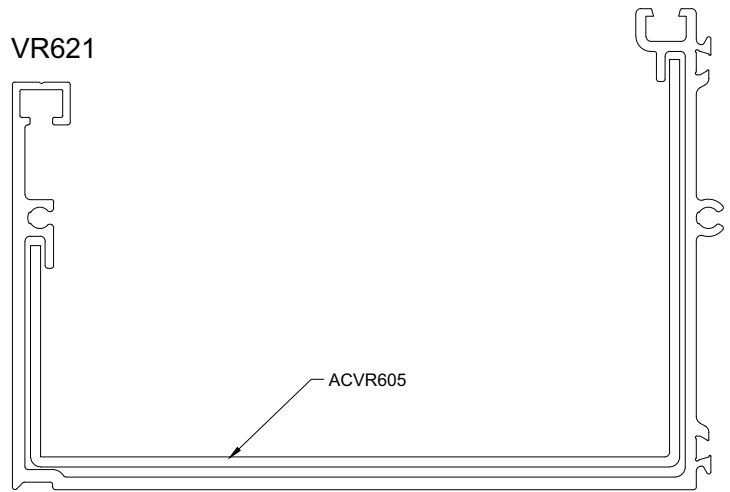




# VR700

|                  |
|------------------|
| Aliplast intern  |
| P.O.: _____      |
| Ordernr.: _____  |
| Leveran.: _____  |
| Dat. Lev.: _____ |

|             |                                      |
|-------------|--------------------------------------|
| ACVR605A    | AANTAL<br>NOMBRE<br>ANZALH<br>NUMBER |
| A = _____ ° |                                      |

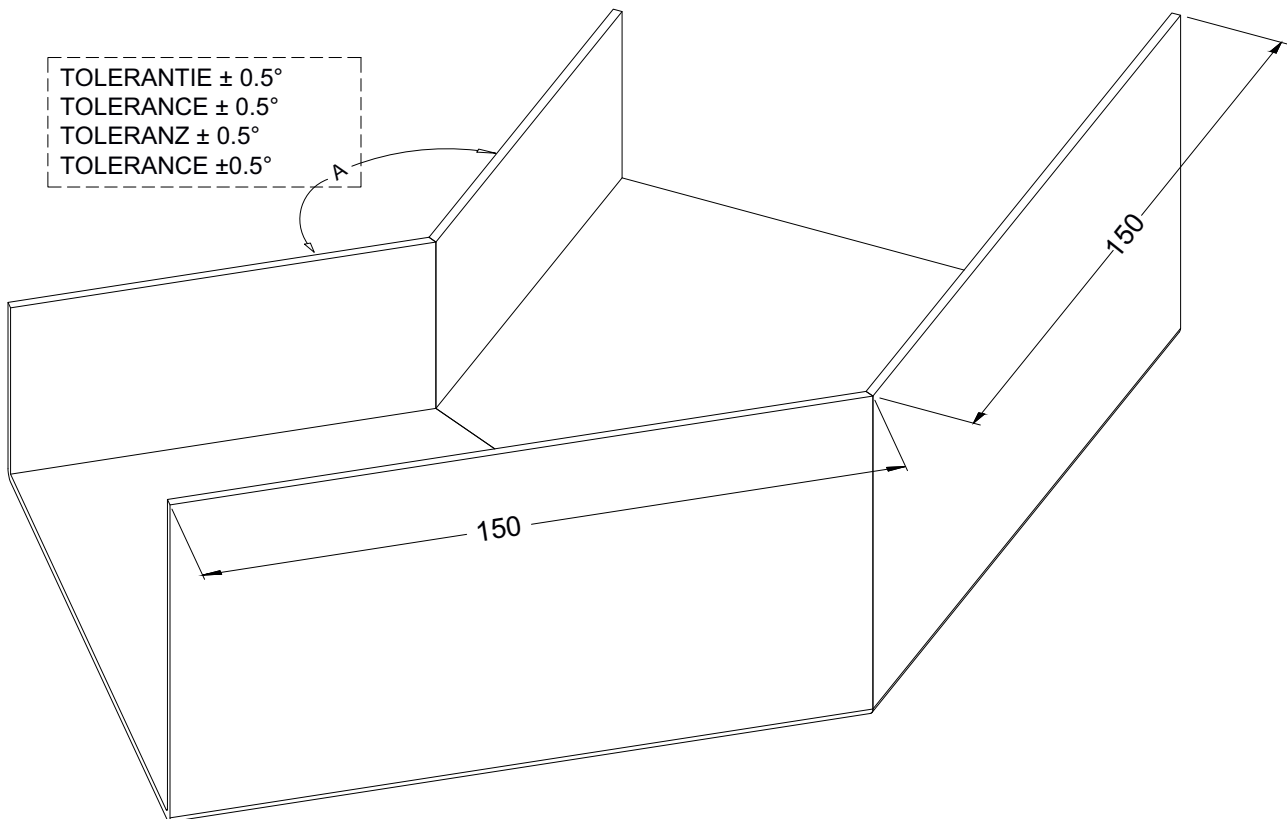
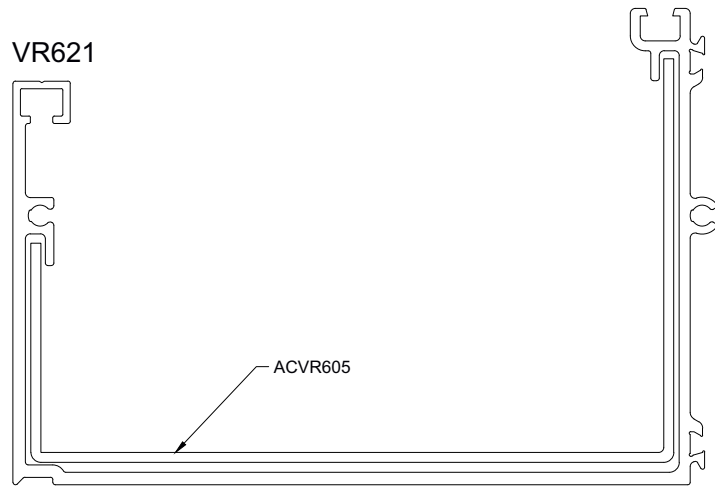


ACVR605A

# VR700

|                  |  |
|------------------|--|
| Aliplast intern  |  |
| P.O.: _____      |  |
| Ordernr.: _____  |  |
| Leveran.: _____  |  |
| Dat. Lev.: _____ |  |

|             |                                      |
|-------------|--------------------------------------|
| ACVR605B    | AANTAL<br>NOMBRE<br>ANZALH<br>NUMBER |
|             |                                      |
| A = _____ ° |                                      |

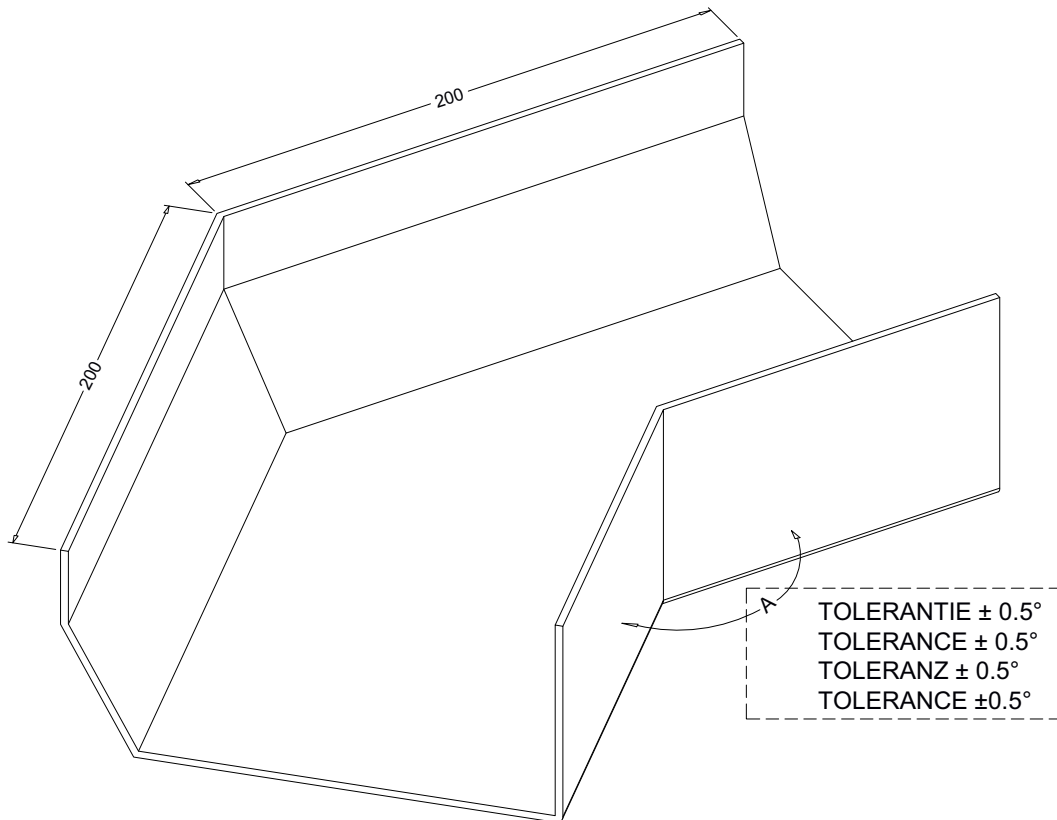
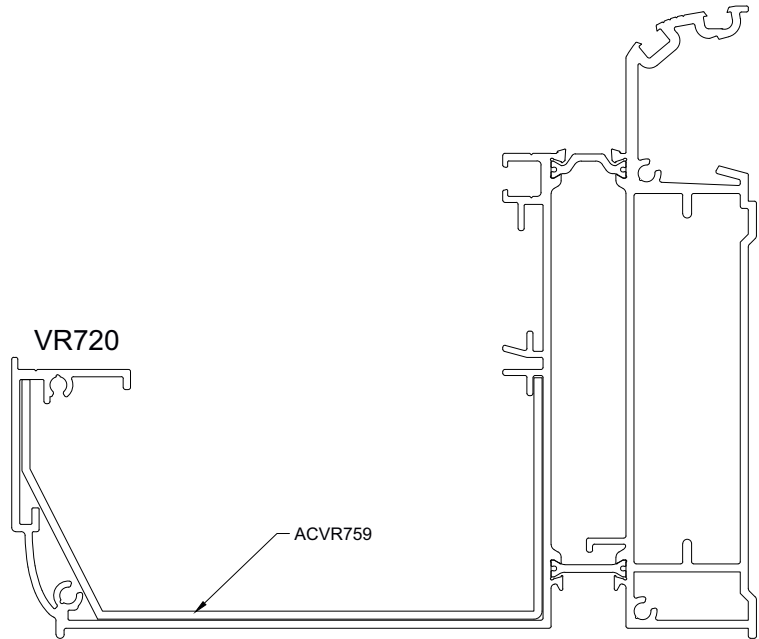


ACVR605B

# VR700

|                  |
|------------------|
| Aliplast intern  |
| P.O.: _____      |
| Ordernr.: _____  |
| Leveran.: _____  |
| Dat. Lev.: _____ |

|             |                                      |
|-------------|--------------------------------------|
| ACVR759A    | AANTAL<br>NOMBRE<br>ANZALH<br>NUMBER |
| A = _____ ° |                                      |



ACVR759A

# VR700

Aliplast intern

P.O.: \_\_\_\_\_

Ordernr.: \_\_\_\_\_

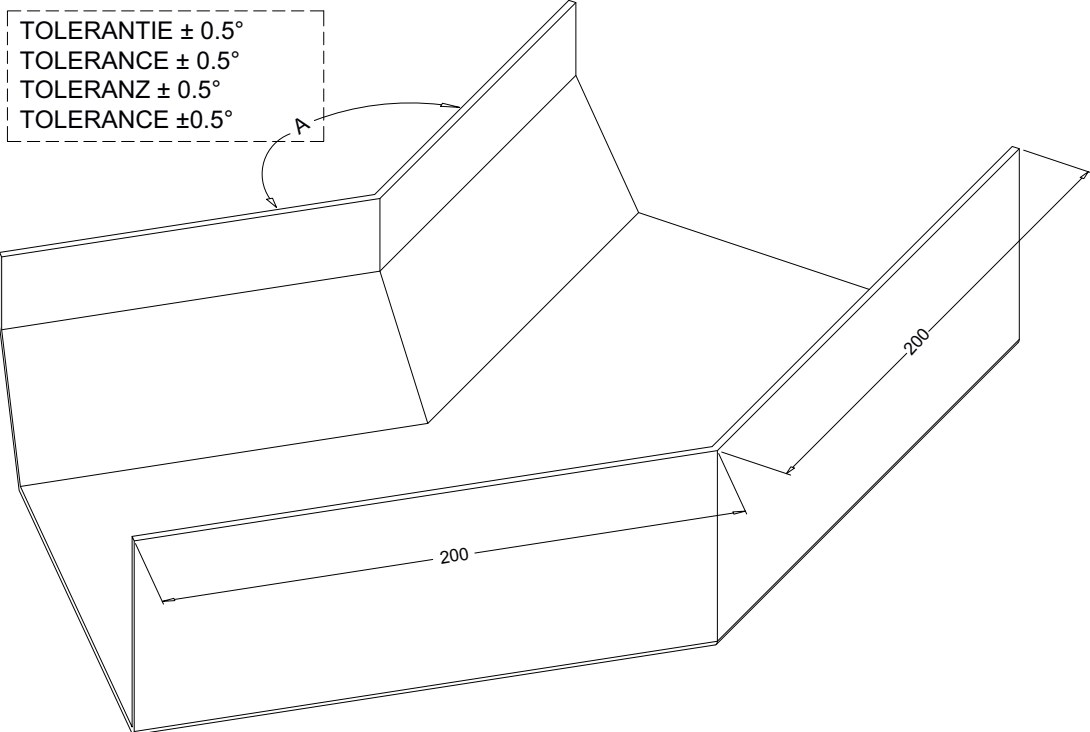
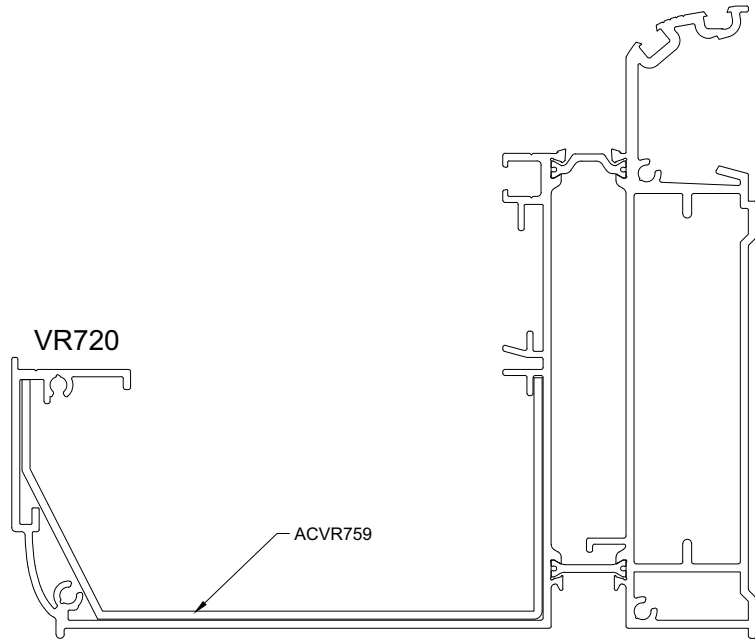
Leveran.: \_\_\_\_\_

Dat. Lev.: \_\_\_\_\_

ACVR759B

AANTAL  
NOMBRE  
ANZALH  
NUMBER

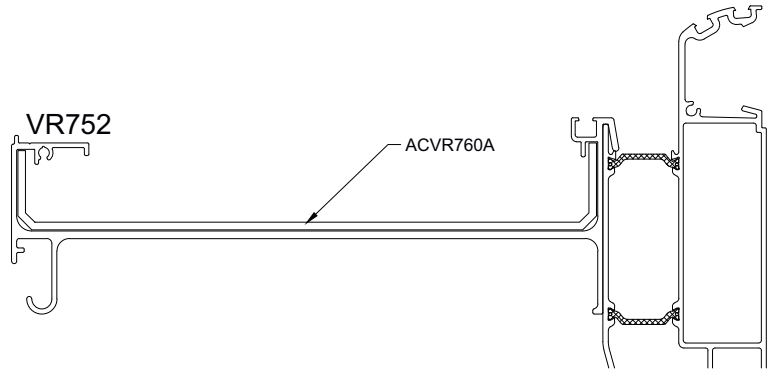
A = \_\_\_\_\_ °



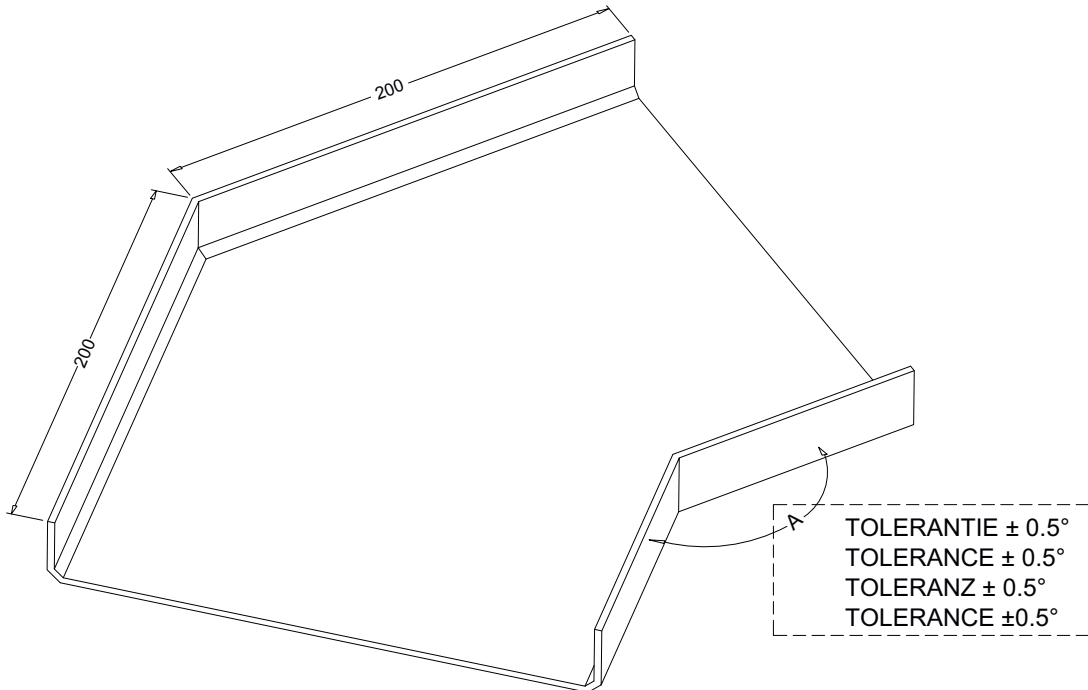
ACVR759B

# VR700

|                  |
|------------------|
| Aliplast intern  |
| P.O.: _____      |
| Ordernr.: _____  |
| Leveran.: _____  |
| Dat. Lev.: _____ |



|             |                                      |
|-------------|--------------------------------------|
| ACVR760A    | AANTAL<br>NOMBRE<br>ANZALH<br>NUMBER |
| A = _____ ° |                                      |



ACVR760A

# VR700

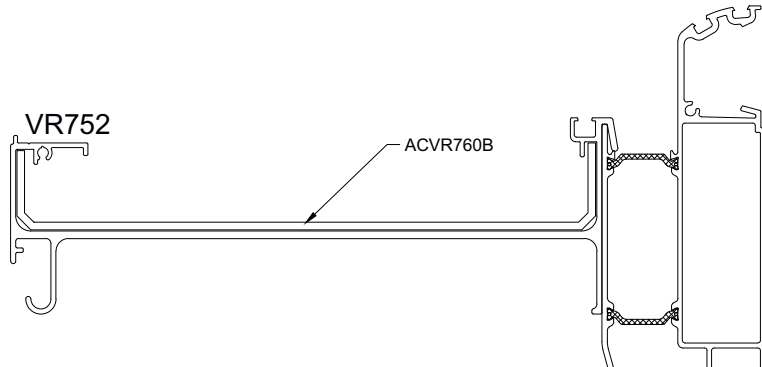
Aliplast intern

P.O.: \_\_\_\_\_

Ordernr.: \_\_\_\_\_

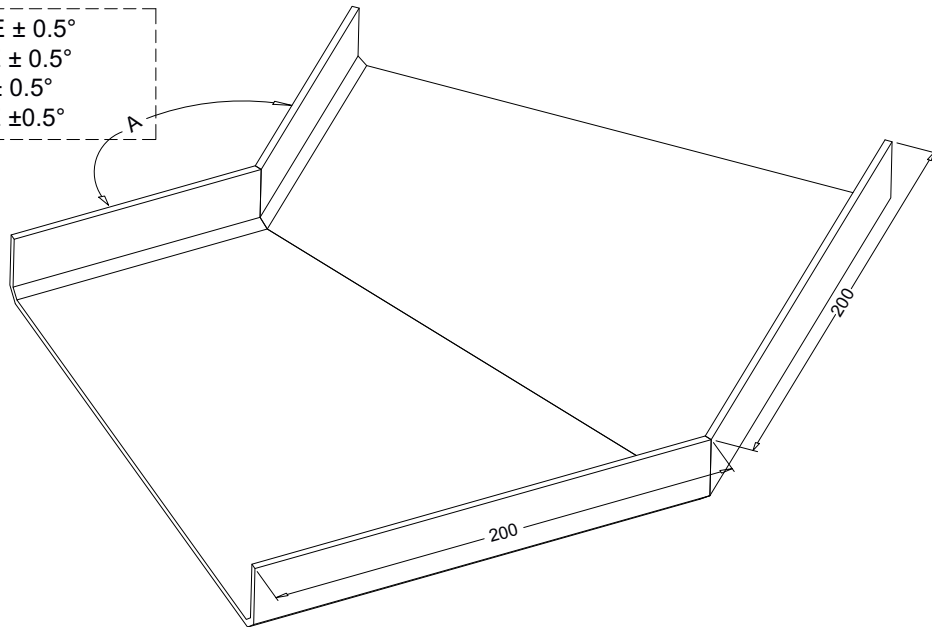
Leveran.: \_\_\_\_\_

Dat. Lev.: \_\_\_\_\_



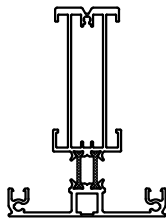
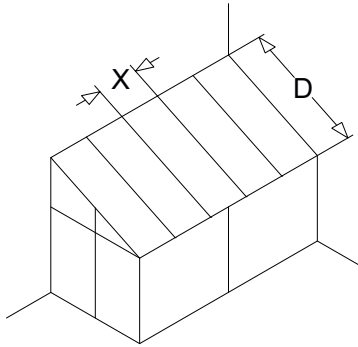
|            |                                      |
|------------|--------------------------------------|
| ACVR760B   | AANTAL<br>NOMBRE<br>ANZALH<br>NUMBER |
| A = _____° |                                      |

TOLERANTIE ± 0.5°  
TOLERANCE ± 0.5°  
TOLERANZ ± 0.5°  
TOLERANCE ± 0.5°



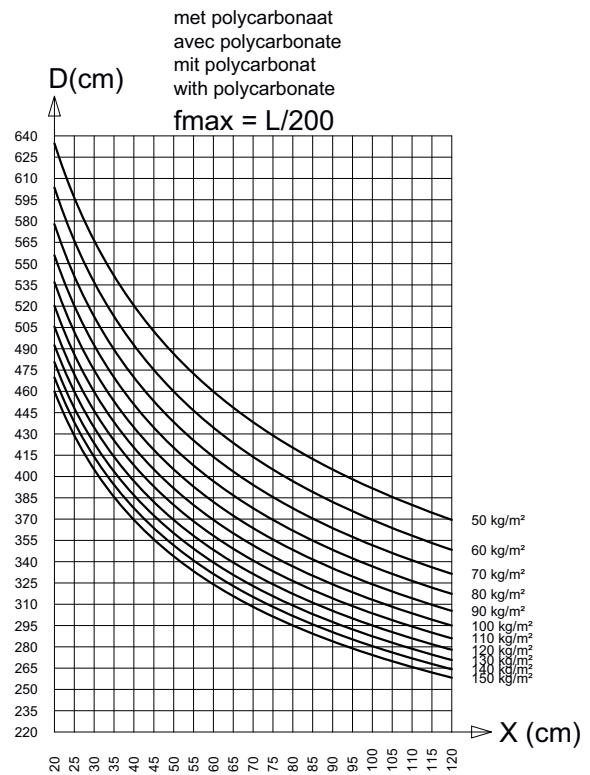
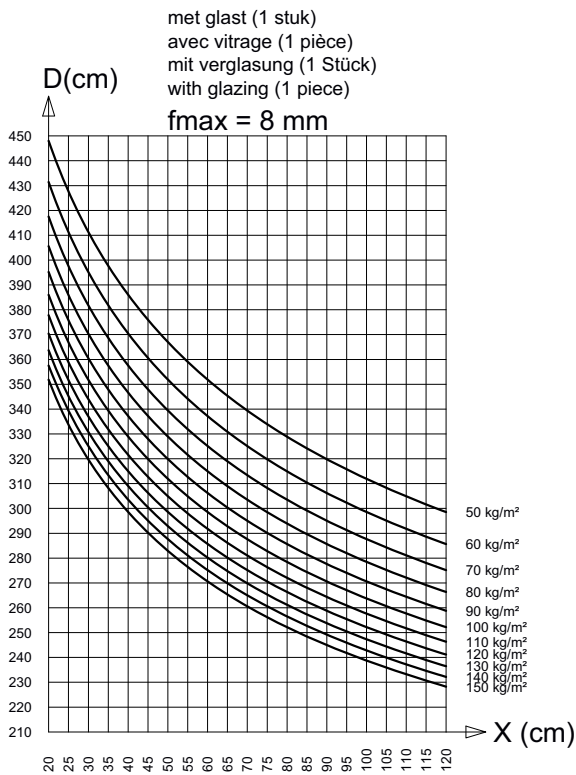
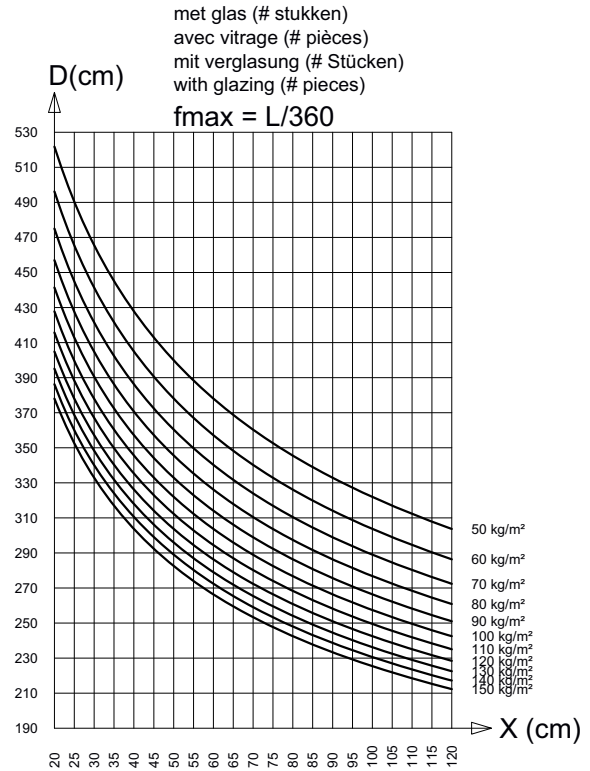
ACVR760B

# VR700



VR709

lx: 120.4372 cm<sup>4</sup>



STATICA - STATIQUE - STATIK - STATICS

VR709

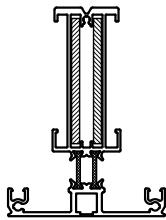
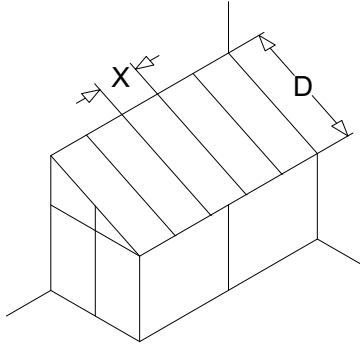


Primaire zichtzijde  
Côté visible primaire

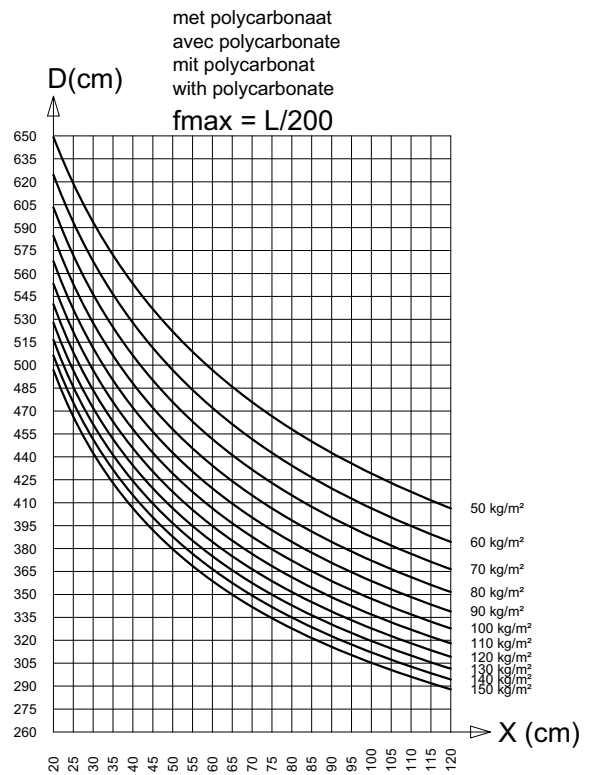
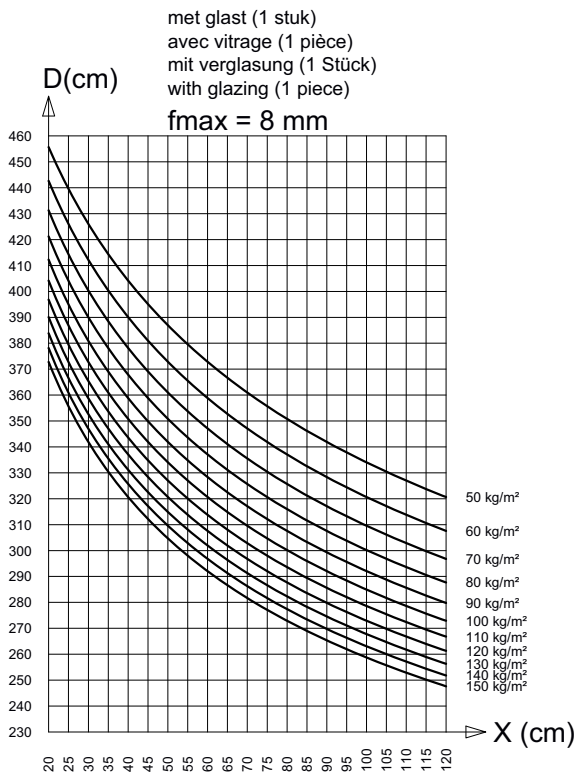
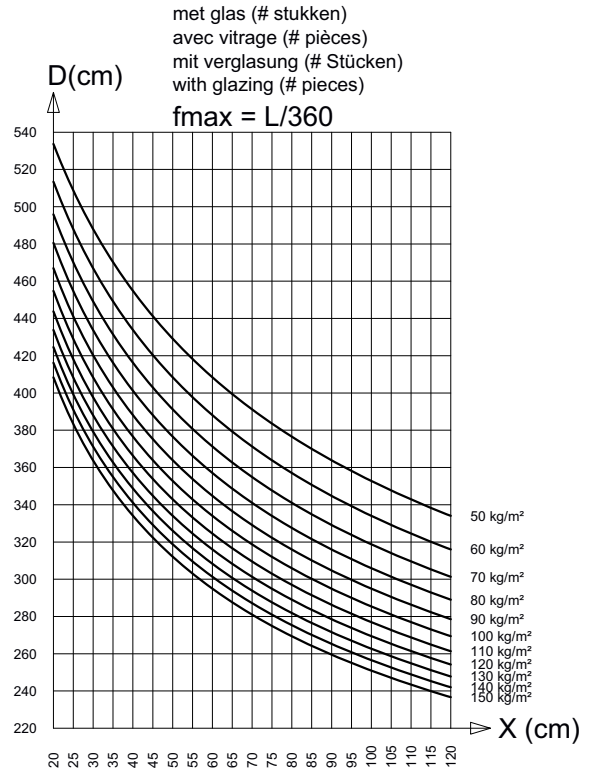
Primäre sichtbare Seite  
Primary visible side

25/6/15

# VR700



VR709+2xP4x63 (Fe)  
Ix: 170.4466 cm<sup>4</sup>



VR709+2xP4x63(Fe)

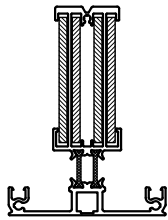
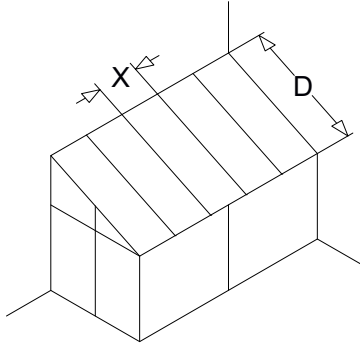


Primaire zichtzijde  
Côté visible primaire

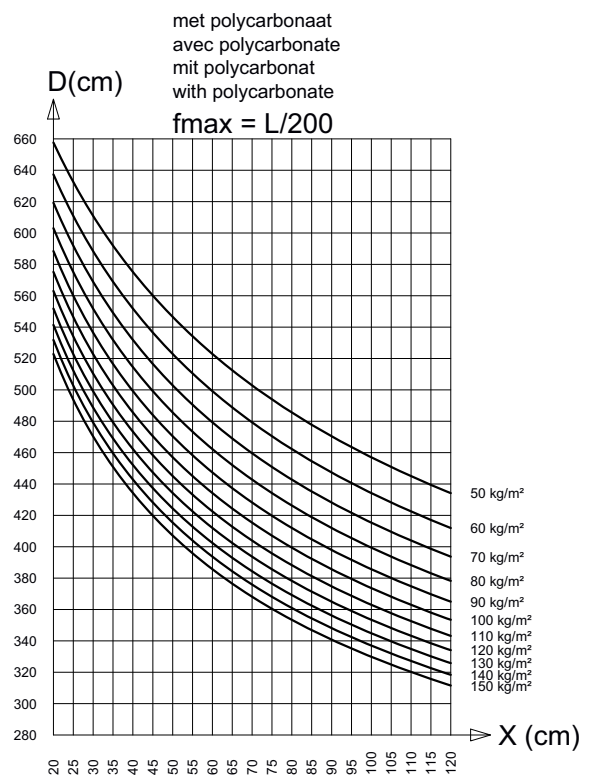
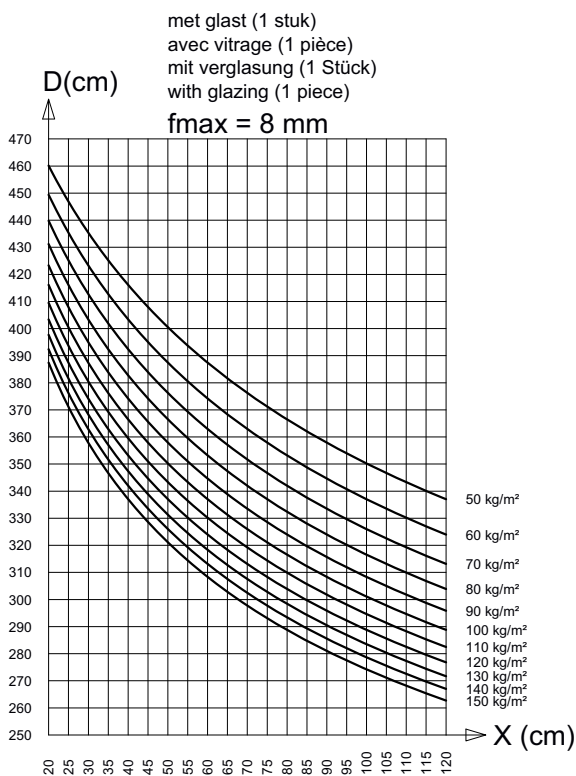
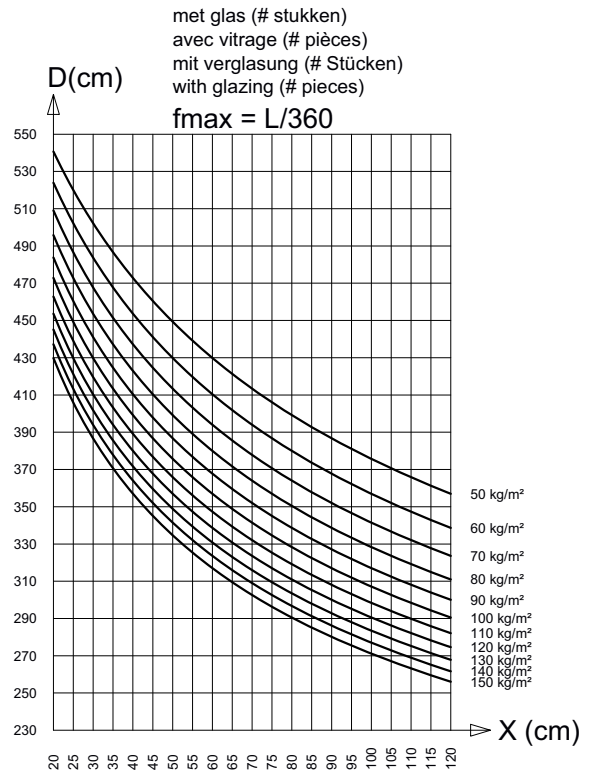
Primäre sichtbare Seite  
Primary visible side



# VR700



VR709+4xP4x63 (Fe)  
Ix: 220.456 cm<sup>4</sup>



STATICA - STATIQUE - STATIK - STATICS

VR709+4xP4x63(Fe)

**aliplast**  
member of



**CORIALIS**

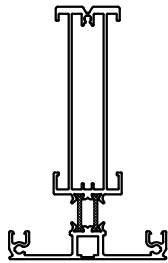
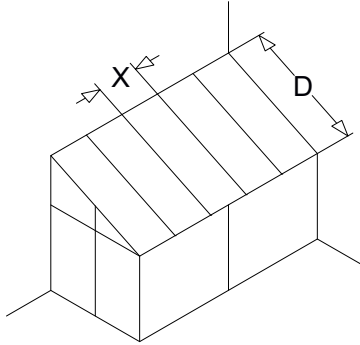


Primaire zichtzijde  
Côté visible primaire

Primäre sichtbare Seite  
Primary visible side

25/6/15

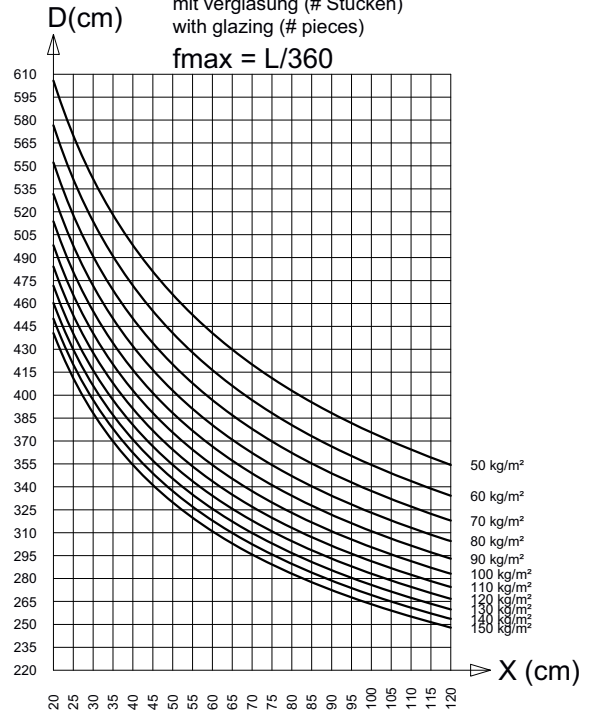
# VR700



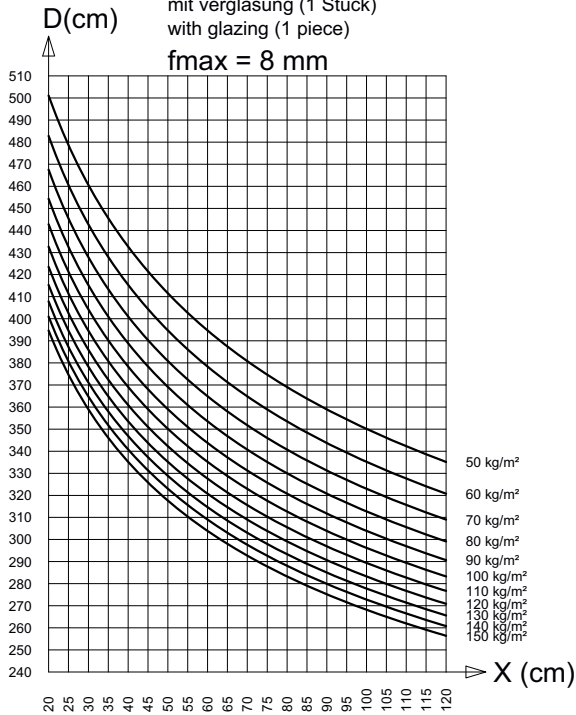
VR711

lx: 192.0138 cm<sup>4</sup>

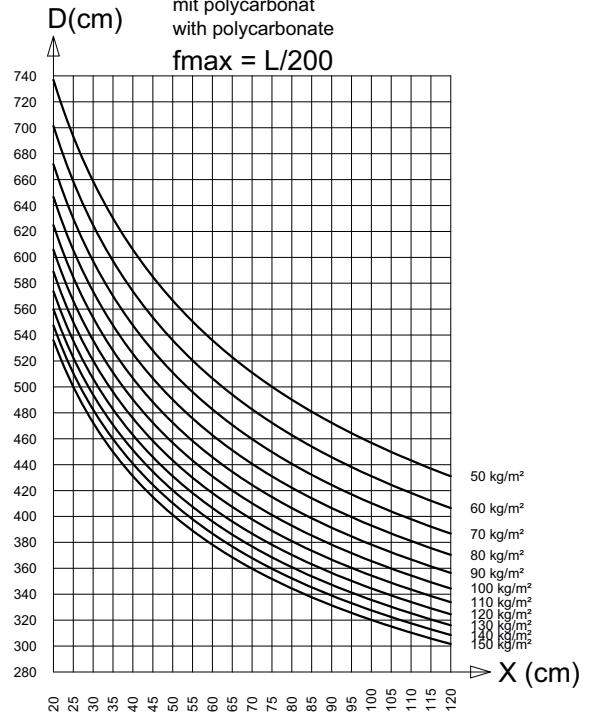
met glas (# stukken)  
avec vitrage (# pièces)  
mit verglasung (# Stücken)  
with glazing (# pieces)  
 $f_{max} = L/360$



met glas (1 stuk)  
avec vitrage (1 pièce)  
mit verglasung (1 Stück)  
with glazing (1 piece)  
 $f_{max} = 8 \text{ mm}$

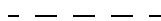


met polycarbonaat  
avec polycarbonate  
mit polycarbonat  
with polycarbonate  
 $f_{max} = L/200$



VR711

90

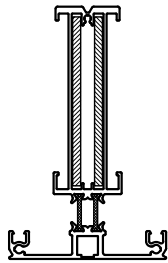
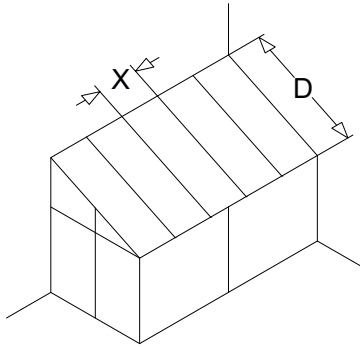


Primaire zichtzijde  
Côté visible primaire

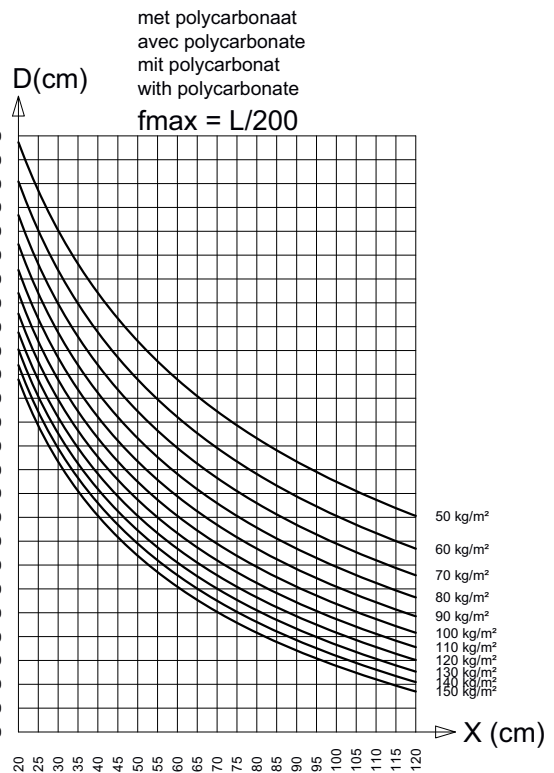
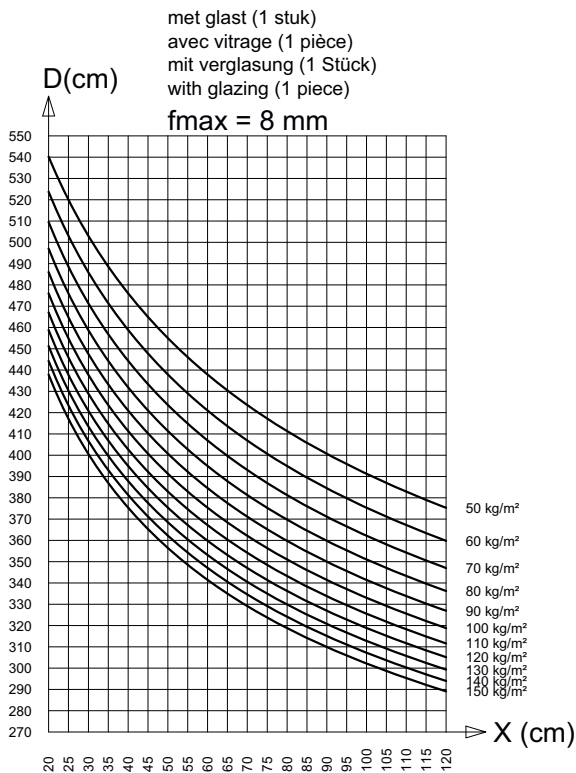
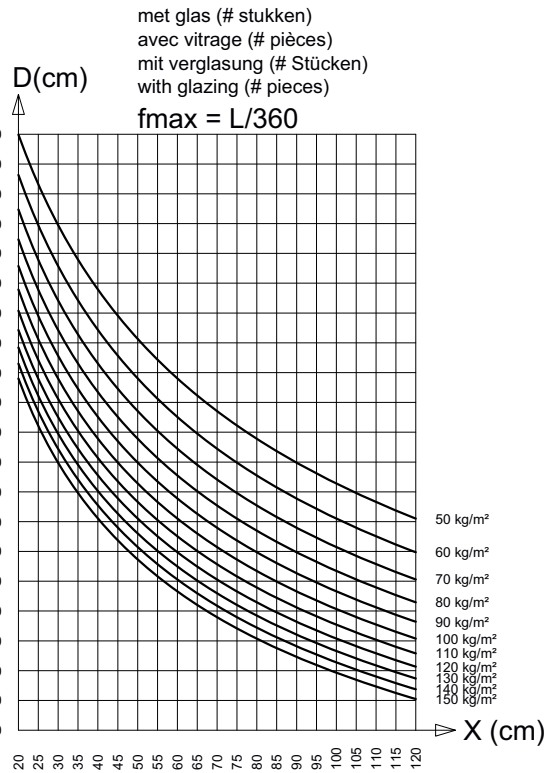
Primäre sichtbare Seite  
Primary visible side

25/6/15

# VR700



VR711+2xP4x85 (Fe)  
Ix: 314.8388 cm<sup>4</sup>



STATICA - STATIQUE - STATIK - STATICS

VR711+2xP4x85(Fe)

**aliplast**  
member of



**CORIALIS**

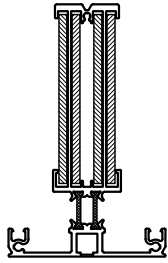
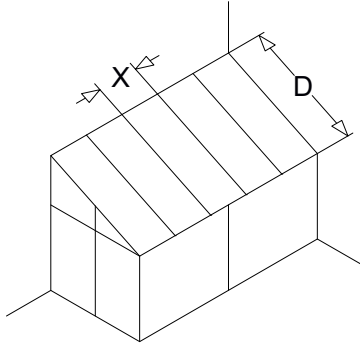


Primaire zichtzijde  
Côté visible primaire

Primäre sichtbare Seite  
Primary visible side

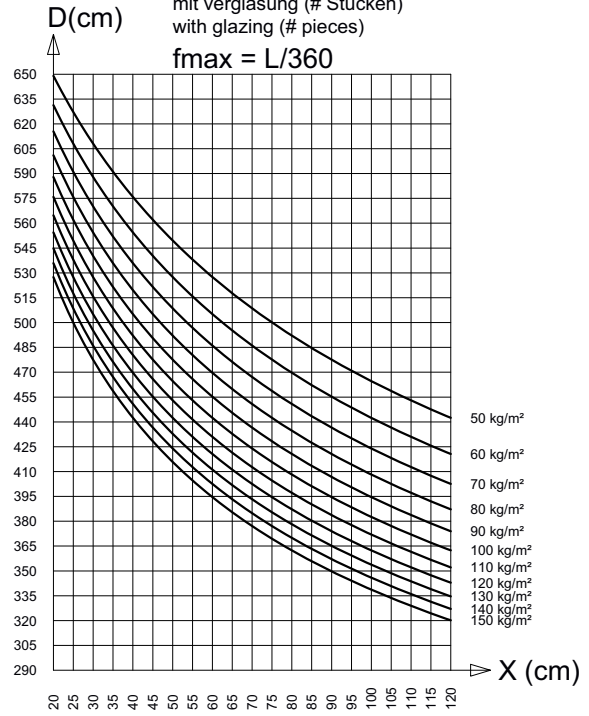
25/6/15

# VR700

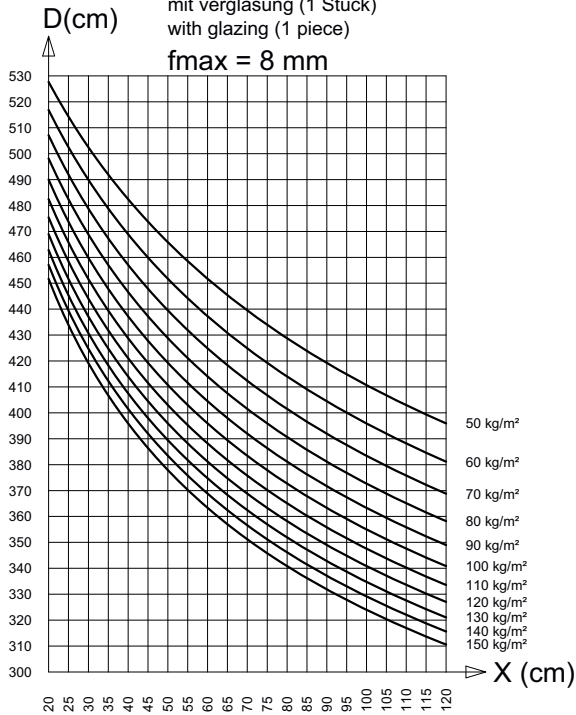


VR711+4xP4x85 (Fe)  
Ix: 437.6638 cm<sup>4</sup>

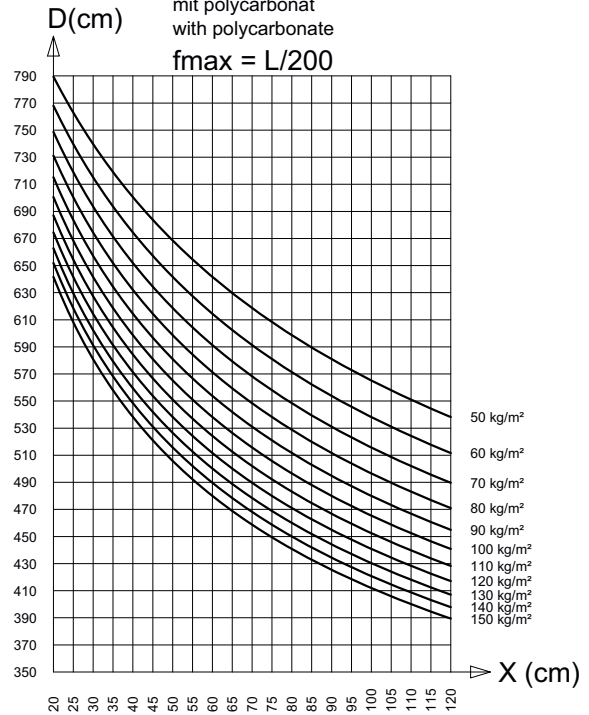
met glas (# stukken)  
avec vitrage (# pièces)  
mit verglasung (# Stücken)  
with glazing (# pieces)  
 $f_{max} = L/360$



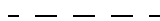
met glas (1 stuk)  
avec vitrage (1 pièce)  
mit verglasung (1 Stück)  
with glazing (1 piece)  
 $f_{max} = 8 \text{ mm}$



met polycarbonaat  
avec polycarbonate  
mit polycarbonat  
with polycarbonate  
 $f_{max} = L/200$



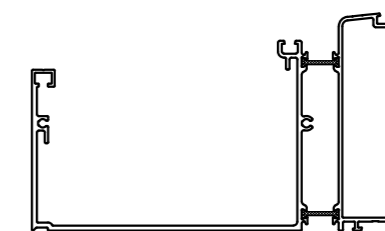
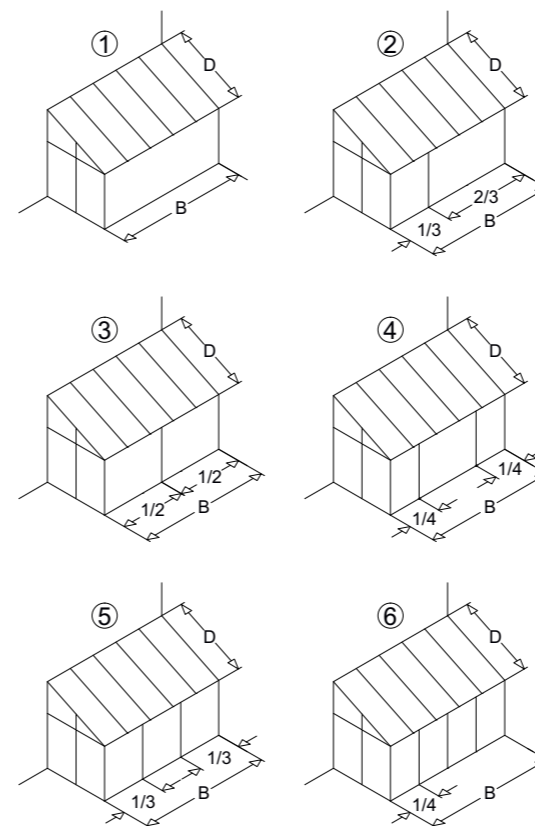
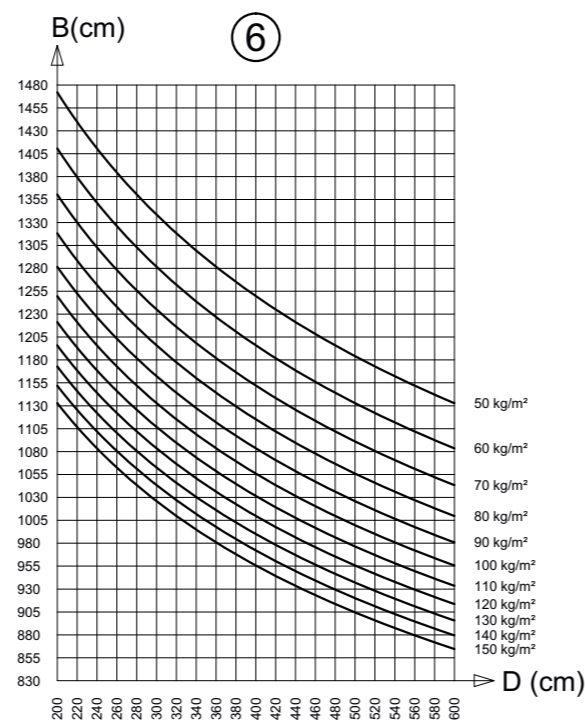
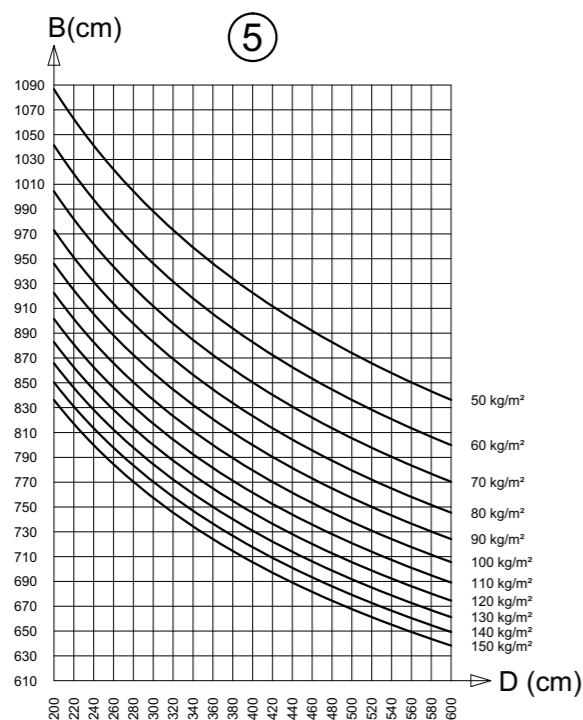
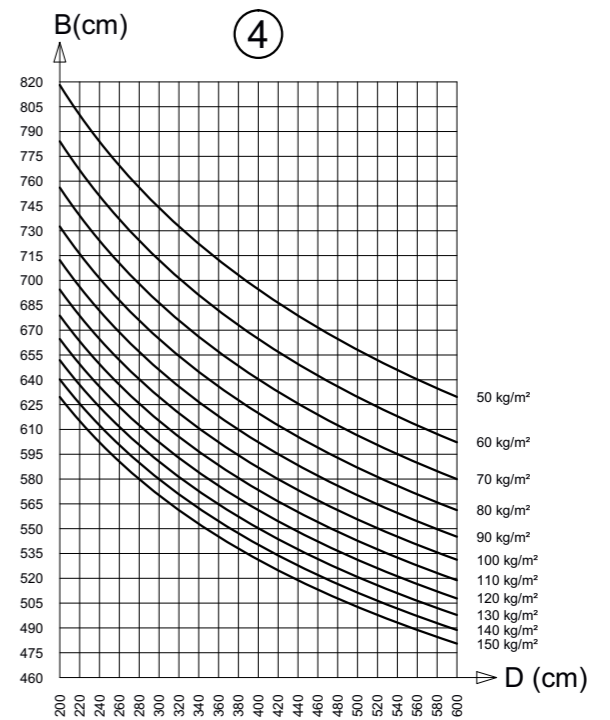
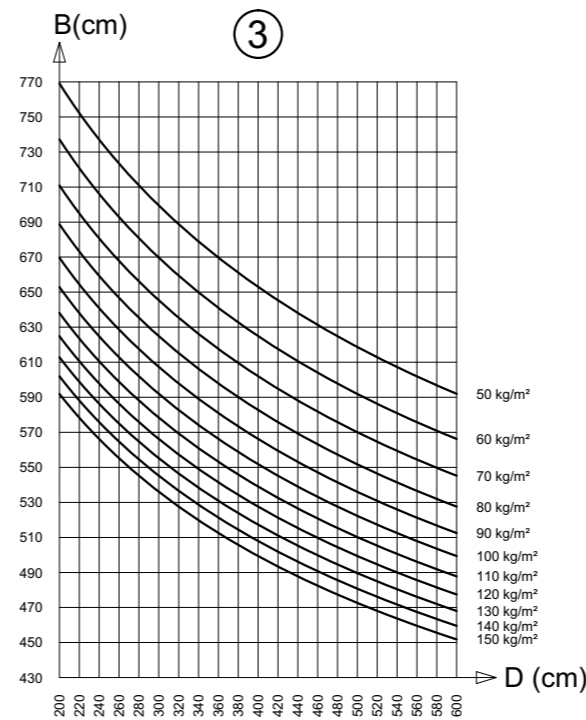
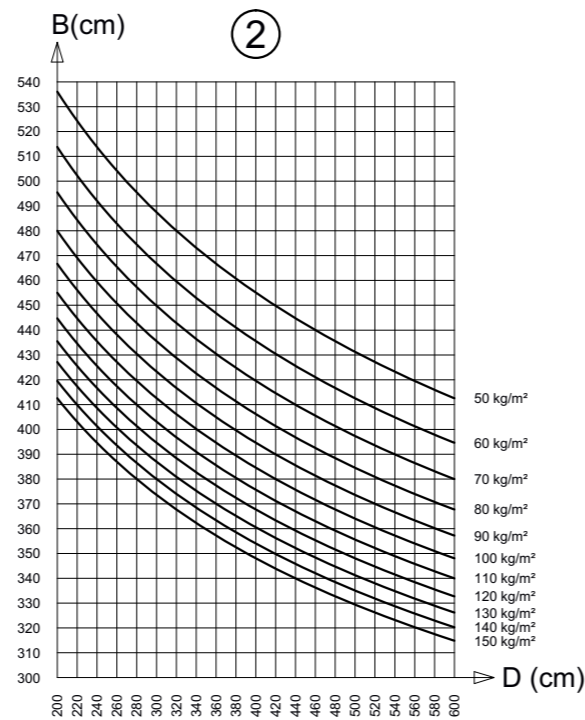
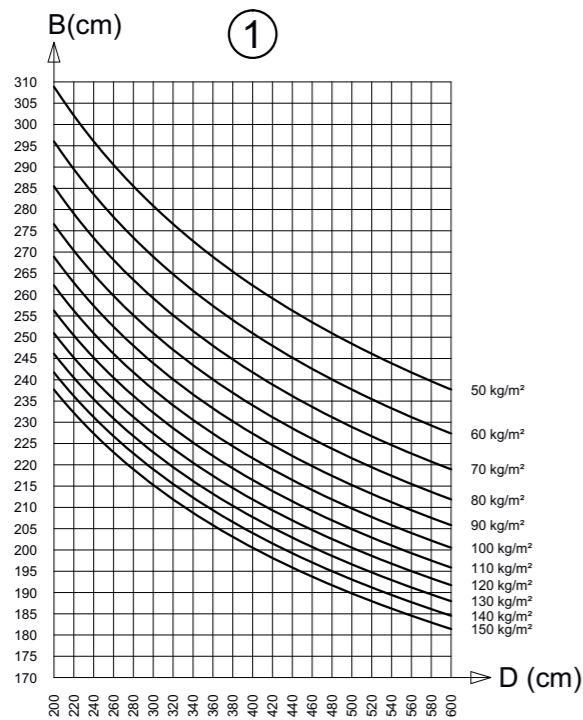
VR711+4xP4x85(Fe)



Primaire zichtzijde  
Côté visible primaire

Primäre sichtbare Seite  
Primary visible side

# VR700

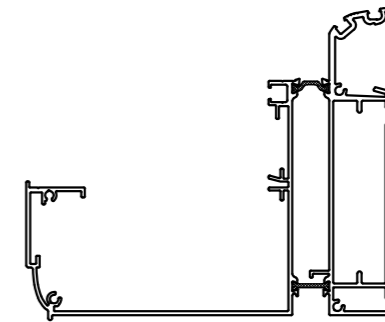
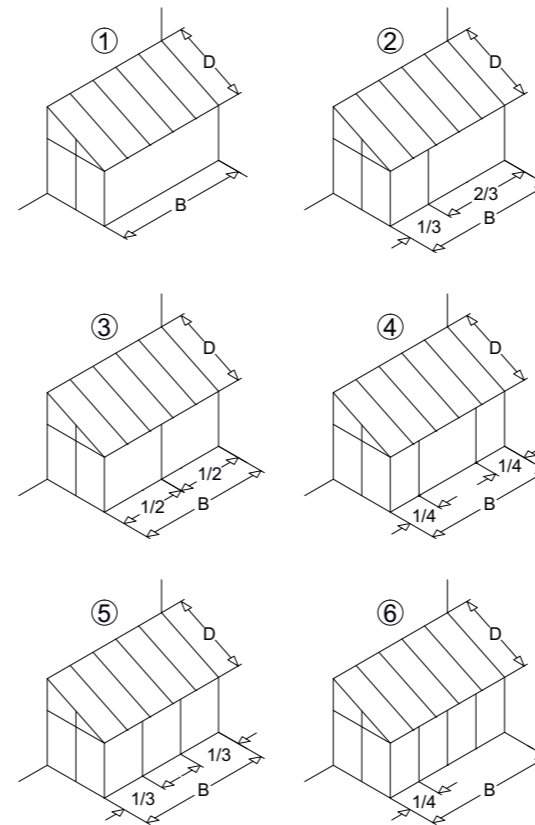
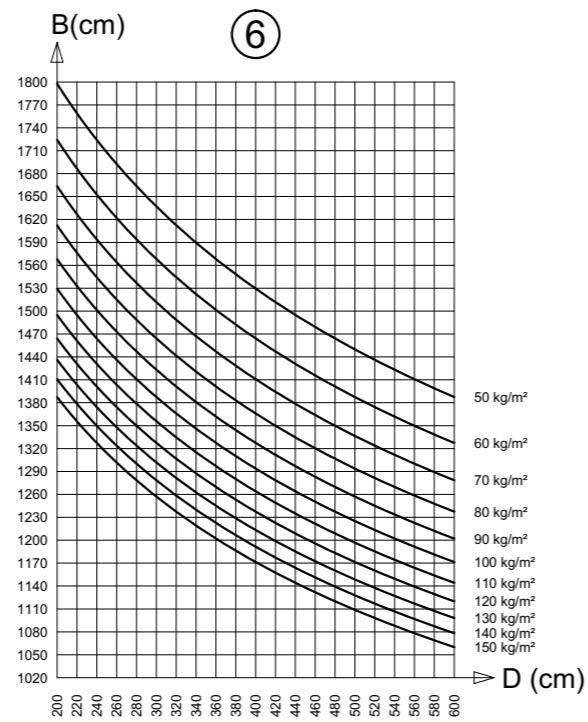
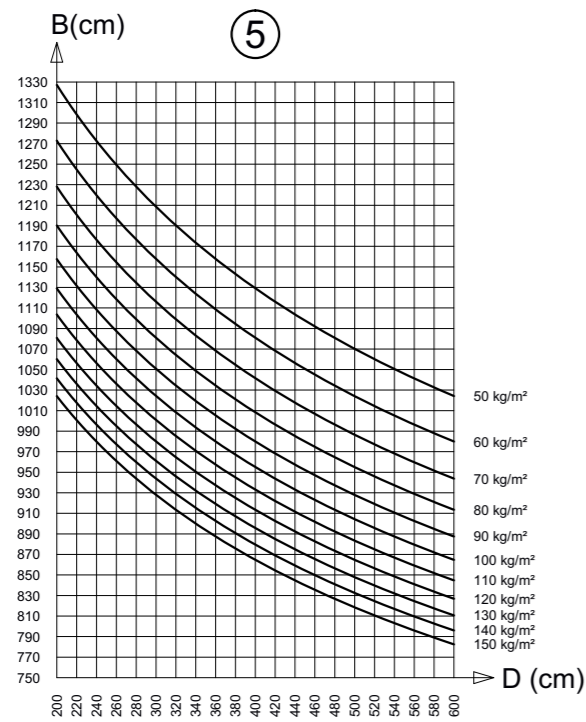
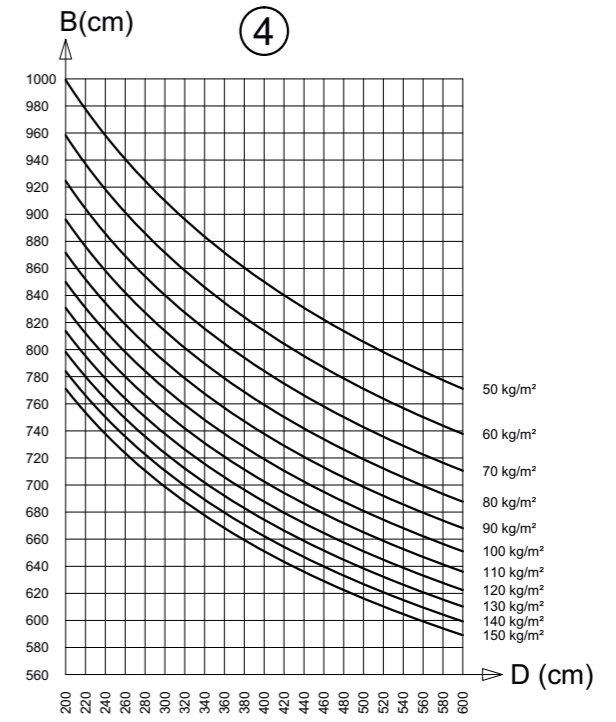
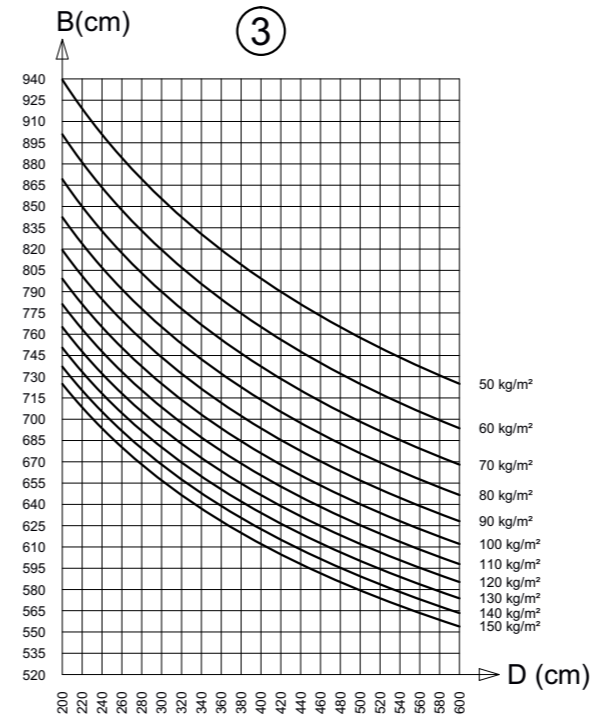
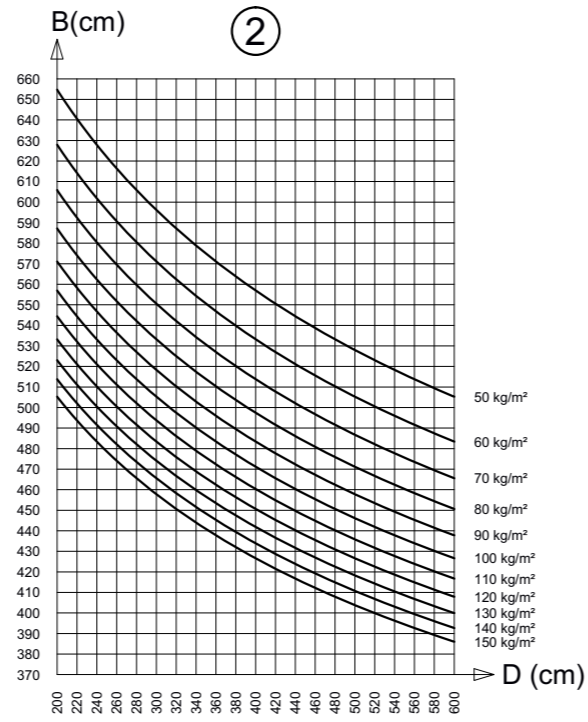
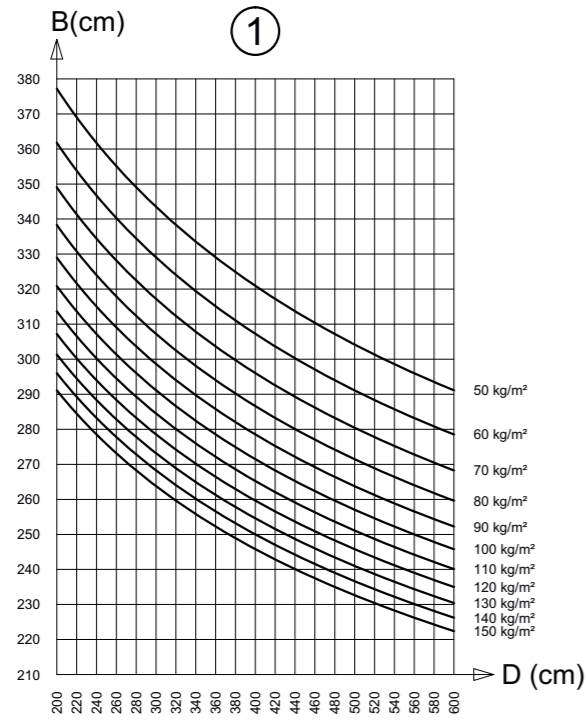


VR621  
I<sub>x</sub>: 180.12 cm<sup>4</sup>  
f<sub>max</sub>: 5 mm

VR621

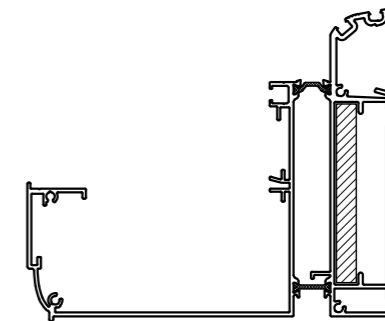
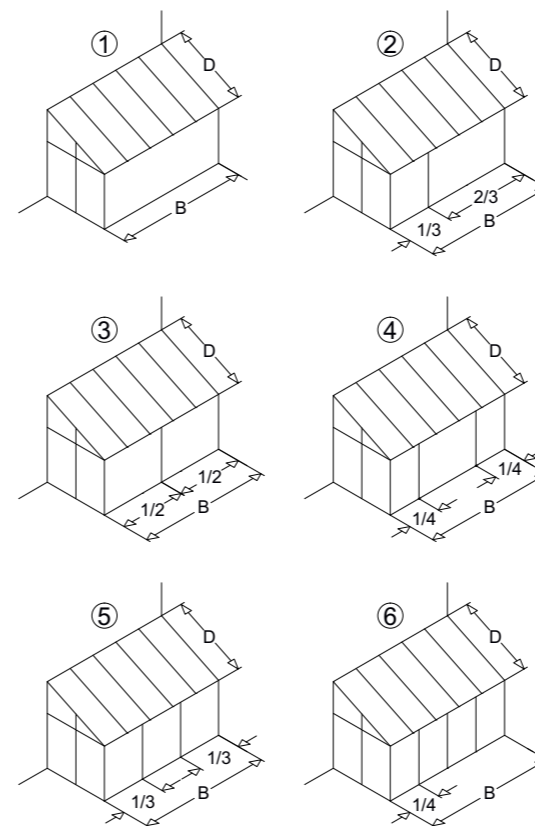
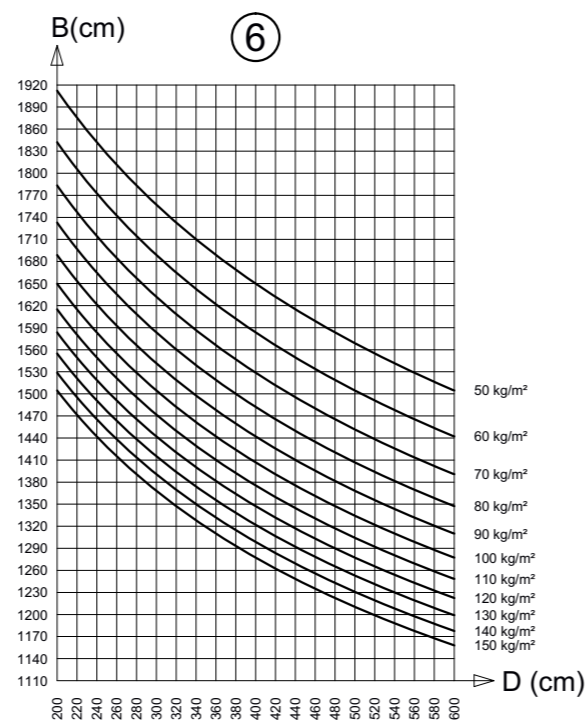
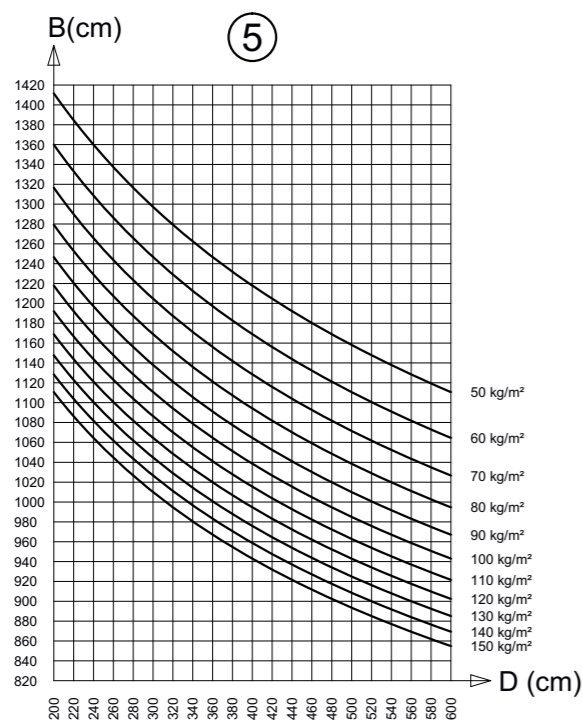
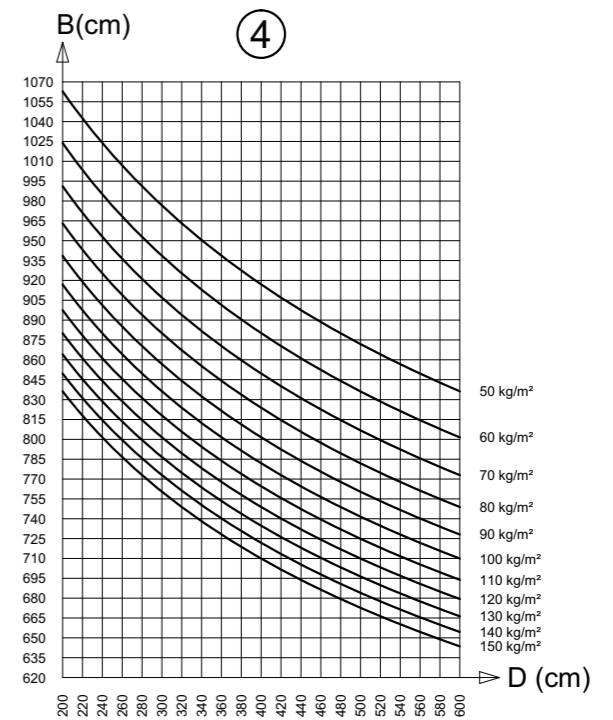
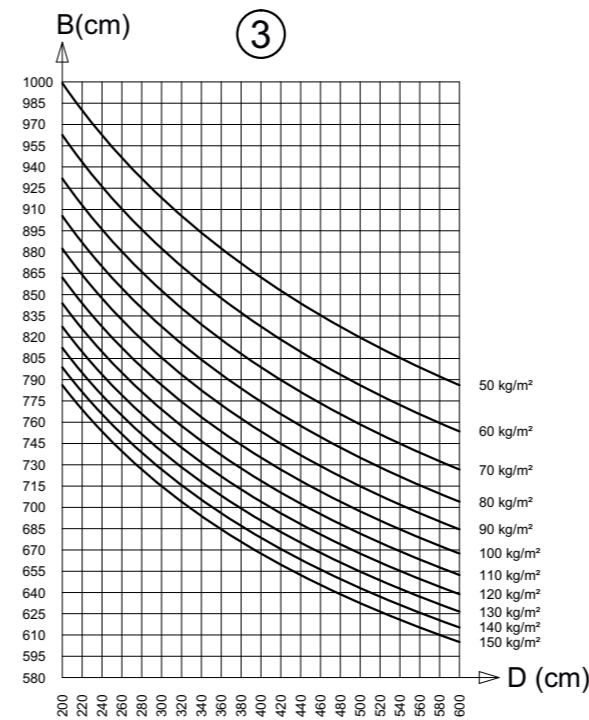
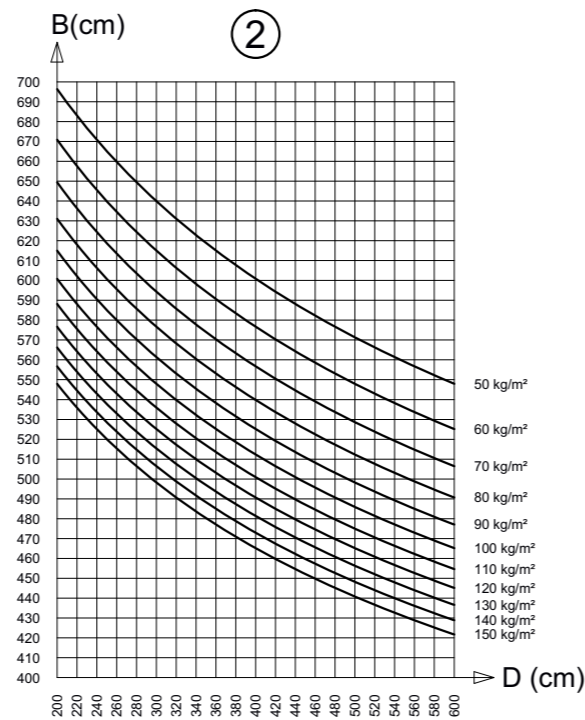
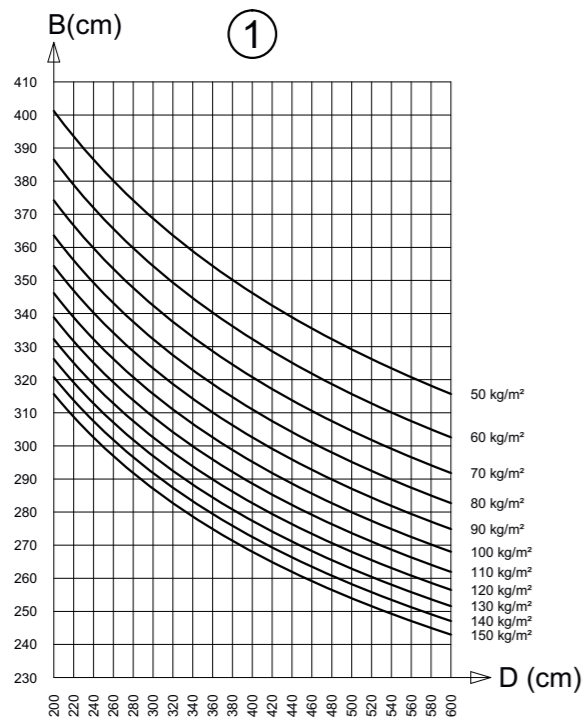


# VR700



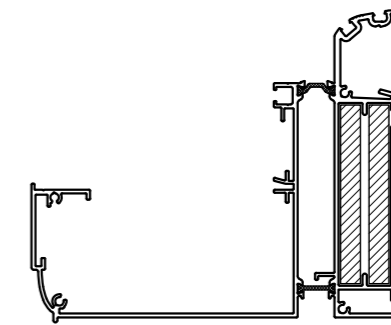
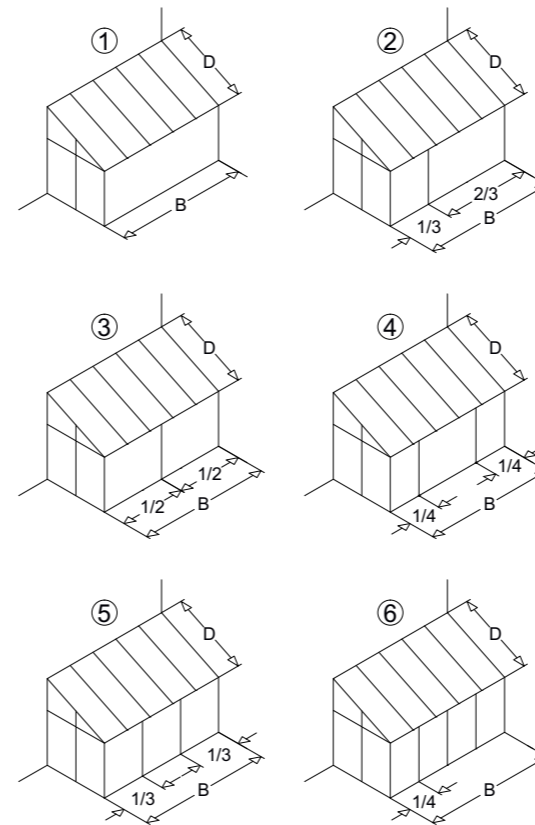
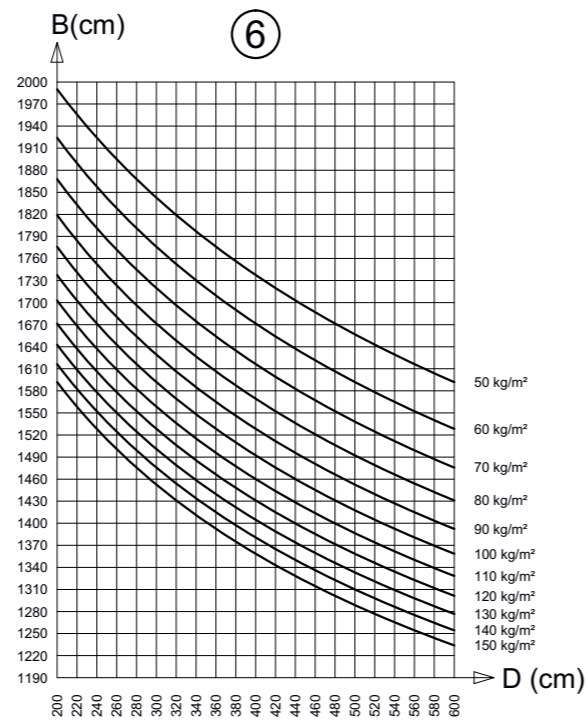
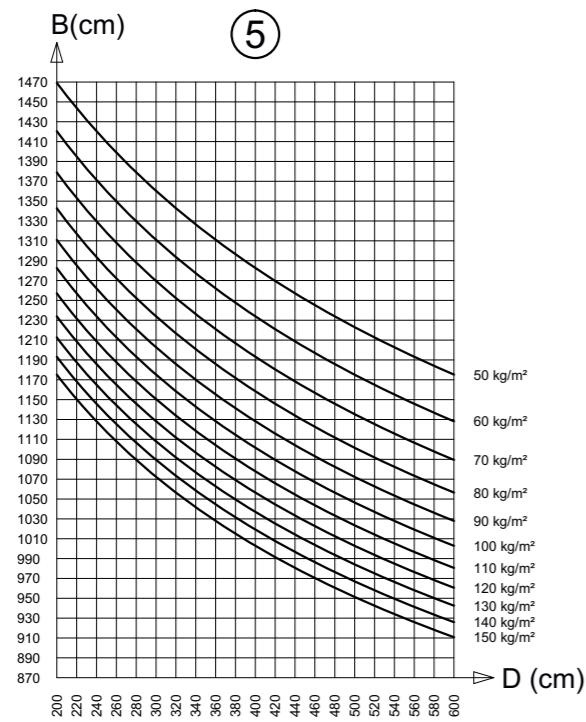
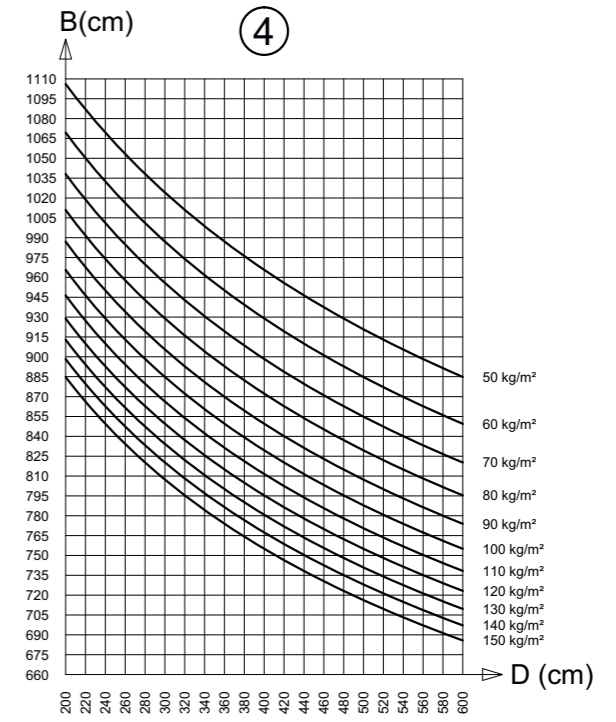
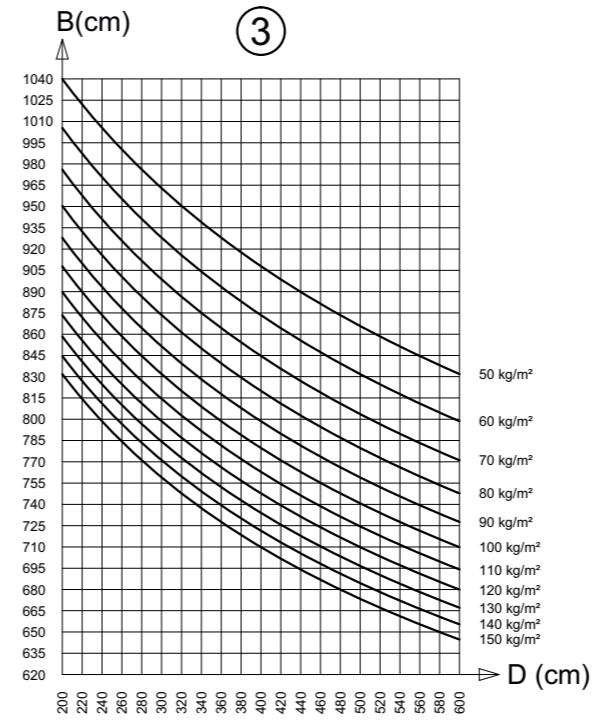
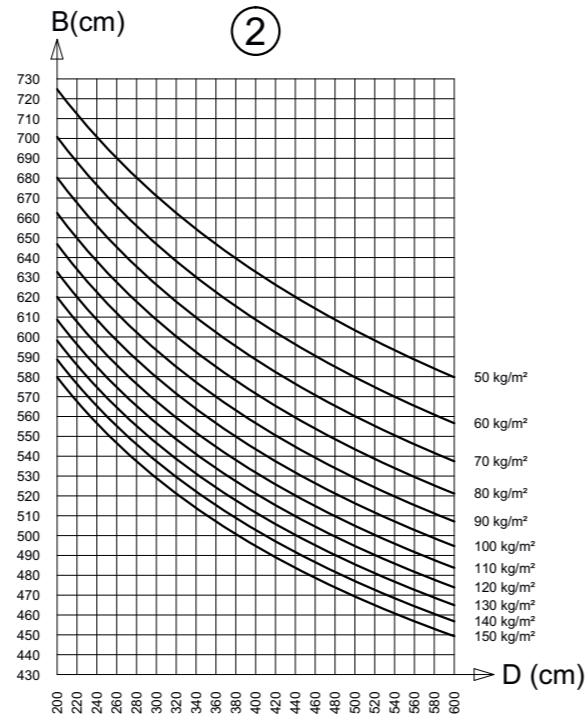
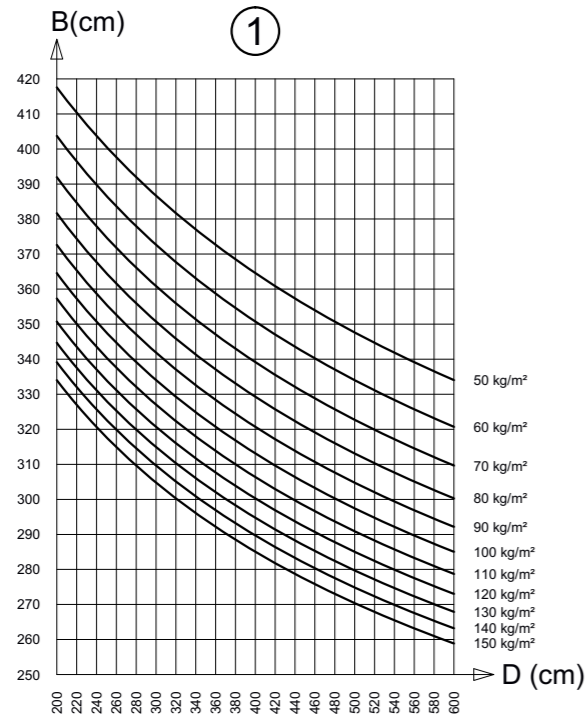
VR720  
 $I_x: 407.7743 \text{ cm}^4$   
 $f_{max}: 5 \text{ mm}$

# VR700



VR720+P90x10 (Fe)  
I<sub>x</sub>: 590.0243 cm<sup>4</sup>  
f<sub>max</sub>: 5 mm

# VR700



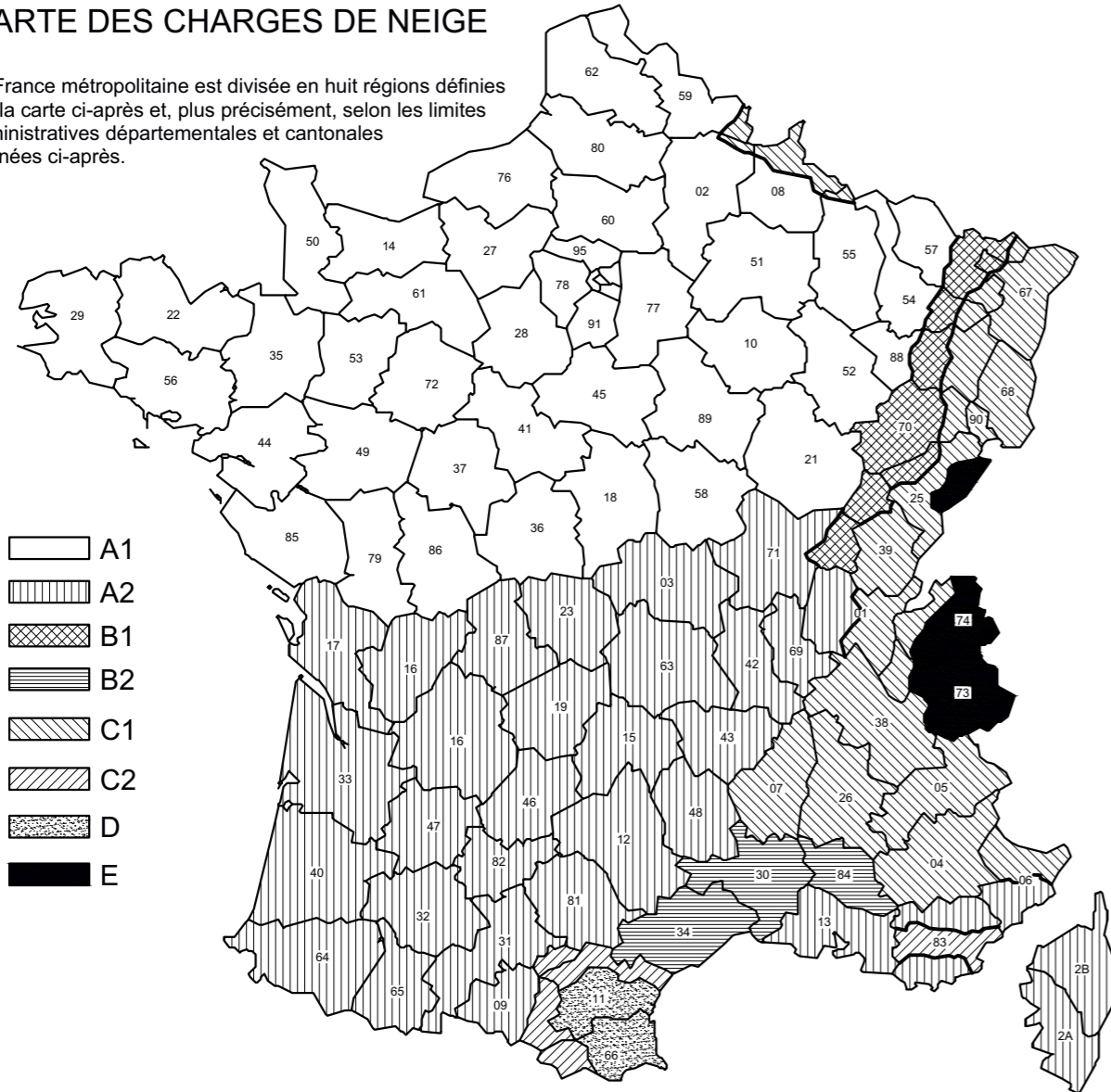
VR720+2xP90x10 (Fe)  
 $I_x: 772.2743 \text{ cm}^4$   
 $f_{max}: 5 \text{ mm}$



STATICA VOOR FRANKRIJK  
 STATIQUE POUR LA FRANCE  
 STATIK FUR FRANKREICH  
 STATICS FOR FRANCE

## CARTE DES CHARGES DE NEIGE

La France métropolitaine est divisée en huit régions définies par la carte ci-après et, plus précisément, selon les limites administratives départementales et cantonales données ci-après.



- A1
- A2
- B1
- B2
- C1
- C2
- D
- E

Les charge de neige verticales normales (en pascals) uniformément réparties dues à la neige selon les zones et l'altitude A, sont les suivantes:

| Charges de neige au sol (Pa)                                | Zones |     |     |     |     |     |     |      |
|---|-------|-----|-----|-----|-----|-----|-----|------|
|   | A1    | A2  | B1  | B2  | C1  | C2  | D   | E    |
| Charge de neige normale Sk au sol à une altitude A ≤ 200m   | 450   | 450 | 550 | 550 | 650 | 650 | 900 | 1400 |
| Majoration de la charge pour une altitude supérieure à 200m | ΔS1   |     |     |     |     |     | ΔS2 |      |

La valeur de la charge de neige normale Sk au sol doit être calculée en fonction de l'altitude A (en mètres)

Majoration ΔS de Sk en fonction de l'altitude A (Pa)

| Altitude A        | ΔS1            | ΔS2            |
|-------------------|----------------|----------------|
| 200m < A ≤ 500m   | A - 200        | 1.5 x A - 300  |
| 500m < A ≤ 1000m  | 1.5 x A - 450  | 3.5 x A - 1300 |
| 1000m < A ≤ 2000m | 3.5 x A - 2450 | 7 x A - 4800   |

| Zone      | Définitions des zones, par départements  |
|-----------|--|
| <b>A1</b> | Aisne*, Ardennes*, Aube, Calvados, Cher, Côte d'or, Côtes d'Armor, Eure, Eure-et-Loir, Finistère, Ile-et-Vilaine, Idre, Indre-et-Loir, Loir-et-Cher, Loire-Atlantique, Loiret, Maine-et-Loire, Manche, Haute-Marne, Mayenne, Meurthe-et-Moselle*, Meuse*, Morbihan, Moselle*, Nièvre, Nord*, Oise, Orne, Pas-de-Calais, Sarthe Seine-Maritime, Deux-Sèvres, Somme, Vendée, Vienne, Yonne.<br><br>Région Ile-de-France, Ville de Paris, Seine-et-Marne, Yvelines, Essonne, Hauts-de-Seine, Seine-Saint-Denis, Val-de-Marne, Val-d'Oise. |
| <b>A2</b> | Ain*, Allier, Alpes-Maritimes*, Ariège*, Aveyron, Bouches-de-Rhône, Cantal, Charente, Charente-Maritime, Corrèze, Haute-Corse, Corse-du-Sud, Creuse, Dordogne, Haute-Garonne*, Gers, Gironde, Landes, Loire, Haute-Loire, Lot, Lot-et-Garonne, Lozère, Puy-de-dôme, Pyrénées-Atlantiques, Hautes-Pyrénées, Rhône, Saône-et-Loire, Tarn*, Tarn-et-Garonne, Var*, Haute-Vienne.  |
| <b>B1</b> | Doubs*, Jura*, Meurthe-et-Moselle*, Moselle*, Bas-Rhin*, Haute-Saône*, Saône-et-Loire*, Vosges*.   |
| <b>B2</b> | Gard, Hérault*, Vaucluse*.   |
| <b>C1</b> | Aisne*, Alpes-Maritimes*, Alpes-de-Haute-Provence, Hautes-Alpes, Ardennes*, Doubs*, Jura*, Meurthe-et-Moselle*, Meuse, Moselle*, Nord*, Bas-Rhin*, Haut Rhin, Haute-Saône*, Vosges*.   |
| <b>C2</b> | Ain*, Ardèche, Ariège*, Aude*, Drôme, Haut-Garonne*, Hérault*, Isère, Pyrénées-Orientales*, Savoie*, Haute-Savoie*, Tarn*, Var*, Vaucluse*, Territoire de Belfort.   |
| <b>D</b>  | Aude*, Pyrénées-Orientales*  |
| <b>E</b>  | Doubs*, Savoie*, Haute-Savoie*<br><br>Saint-Pierre-et-Miquelon.  |

\* Pour une partie du département. Voir le découpage par cantons dans le Tableau ci-après.

| Département           | Régions | Cantons  |
|-----------------------|---------|--|
| 01 Ain                | A2      | Bâgé-le-Châtel, Bourg-en-Bresse (tous cantons), Chalamont, Châtillon-sur-Chalaronne, Coligny, Meximieux, Miribel, Montluel, Montrevel-en-Bresse, Péronnas, Pont-d'Ain, Pont-de-Vaux, Pont-de-Veyle, Reyrieux, Saint-Trivier-de-Courtes, Saint-Trivier-sur-Moignans, Thoisy, Trévoux, Villars-les-Dombes, Viriat. |
|                       | C2      | Tous les autres cantons  |
| 02 Aisne              | C1      | Aubenton, la Capelle, Hirson.  |
|                       | A1      | Tous les autres cantons  |
| 06 Alpes-Maritimes    | C1      | Breil-sur-Roya, Guillaumes, Lantosque, Puget-Théniers, Roquebillière, Saint-Etienne-de-Tinée, Saint-Martin-Vésubie, Saint-Sauveur-sur-Tinée, Sospel, Tende, Villars-sur-Var.   |
|                       | A2      | Tous les autres cantons  |
| 08 Ardennes           | A1      | Asfeld, Attigny, Buzancy, Château-Porcien, Chaumont-Porcien, le Chesne, Grandpré, Juniville, Machault, Monthois, Novoin-Porcien, Rethel, Tourteron, Vouziers.  |
|                       | C1      | Tous les autres cantons  |
| 09 Ariège             | C2      | Ax-les-Thermes, Les Cabannes, Lavelanet, Mirepoix, Quérigut.   |
|                       | A2      | Tous les autres cantons  |
| 11 Aude               | C2      | Belpech, Castelnaudary (tous cantons), Fanjeaux, Salles-sur-l'Hens.  |
|                       | D       | Tous les autres cantons  |
| 25 Doubs              | B1      | Audeux, Besançon, (tous cantons), Boussières, Marchaux.  |
|                       | E       | Maïche, Montbenoit, Morteau, Pierrefontaine-les-Varans, le Russey, Saint-Hippolyte.  |
| 31 Haut-Garonne       | C2      | Revel  |
|                       | A2      | Tous les autres cantons  |
| 34 Hérault            | C2      | Béziers (tous cantons), Capestang, Olonzac, Saint-Chinian, Saint-Pons-de-Thomières.  |
|                       | B2      | Tous les autres cantons  |
| 39 Jura               | B1      | Chaussin, Chemin, Dampierre, Dole (tous cantons), Gendrey, Montbarrey, Montmirey-le-Château, Rochefort-sur-Nenon.  |
|                       | C1      | Tous les autres cantons  |
| 54 Meurthe-et-Moselle | B1      | Arracourt, Baccarat, Bayon, Blâmont, Gerbéviller, Haroué, Lunéville, (tous cantons).   |
|                       | C1      | Badonviller, Cirey-sur-Vezouze.  |
| 55 Meuse              | A1      | Tous les autres cantons  |
|                       | C1      | Montmédy, Stenay   |
| 55 Meuse              | A1      | Tous les autres cantons  |

| Département            | Régions | Cantons  |
|------------------------|---------|--|
| 57 Moselle             | B1      | Albestroff, Behren-lès-Forbach, Château-Salins, Dieuze, Fénétrange, Forbach, Freyming-Merlebach, Grostenquin, Réchicourt-le-Château, Rohrbach-Lès-Bitche, Saint-Avold (tous cantons) Sarralbe, Sarreguemines, Sarreguemines-Campagne, Stiring-Wendel, Vic-sur-Seille, Volmunster.          |
|                        | C1      | Bitche, Lorquin, Phalsbourg, Sarrebourg.   |
| 59 Nord                | A1      | Tous les autres cantons  |
|                        | C1      | Avesnes-sur-Helpe (tous cantons), Hautmont, Maubeuge (tous cantons), Solre-le-Château, Trélon.   |
| 66 Pyrénées-Orientales | A1      | Tous les autres cantons  |
|                        | C2      | Mont-Louis, Olette, Saillagouse.   |
| 67 Bas-Rhin            | D       | Tous les autres cantons  |
|                        | B1      | Drulingen, Sarre-Union   |
| 70 Haute-Saône         | C1      | Champagny, Faucogney-et-la-Mer, Héricourt (tous cantons), Lure (tous cantons), Melisey, Villersexel.   |
|                        | B1      | Tous les autres cantons  |
| 71 Saône-et-Loire      | B1      | Beaurepaire-en-Bresse, Cuiseaux, Cuisery, Louhans, Montpont-en-Bresse, Montret, Pierre-de-Bresse, Saint-Germain-du-bois, Tournus.  |
|                        | A2      | Tous les autres cantons  |
| 73 Savoie              | E       | Aiguebelle, Aime, Albertville (tous cantons), Beaufort, Bourg-Saint-Maurice, Bozel, le Châtelard, la Chambre, Chamoux-sur-Gelon, Grésy-sur-Isère, Lanslebourg-Mont-Cenis, Modane, Moutiers, Saint-Jean-de-Maurienne, Saint-Michel-de-Maurienne, Saint-Pierre-d'Albiny, la Rochette, Ugine. |
|                        | C2      | Tous les autres cantons  |
| 74 Haute-Savoie        | C2      | Alby-sur-Chéran, Annemasse (tous les cantons), Boège, Cruseilles, Douvaine, Frangy, Reignier, Rumilly, Saint-Julien-en-Genevois, Seyssel.  |
|                        | E       | Tous les autres cantons  |
| 81 Tarn                | C2      | Dourgne, Labruguière, Mazamet (tous cantons), Saint-Amans-Soult.   |
|                        | A2      | Tous les autres cantons  |
| 83 Var                 | C2      | Barjols, Besse-sur-Isolle, Brignoles, Cotignac, Fréjus, Grimaud, Lorgues, le Luc, le Muy, Saint-Maximin-la-Sainte-Baume, Saint-Raphaël, Saint-Tropez.  |
|                        | A2      | Tous les autres cantons  |
| 84 Vaucluse            | C2      | Valréas  |
|                        | B2      | Tous les autres cantons  |
| 88 Vosges              | A2      | Bulgnéville, Châtenois, Coussey, Lamarche, Mirecourt, Neufchâteau, Vittef  |
|                        | B1      | Bains-les-Bains, Bruyères, Charmes, Châtel-sur-Moselle, Damey, Dompierre, Epinal (tous cantons), Monthureux-sur-Saône, Plombières-les-bains, Rambervillers, Remiremont, Xertigny.  |
| 88 Vosges              | C2      | Tous les autres cantons  |

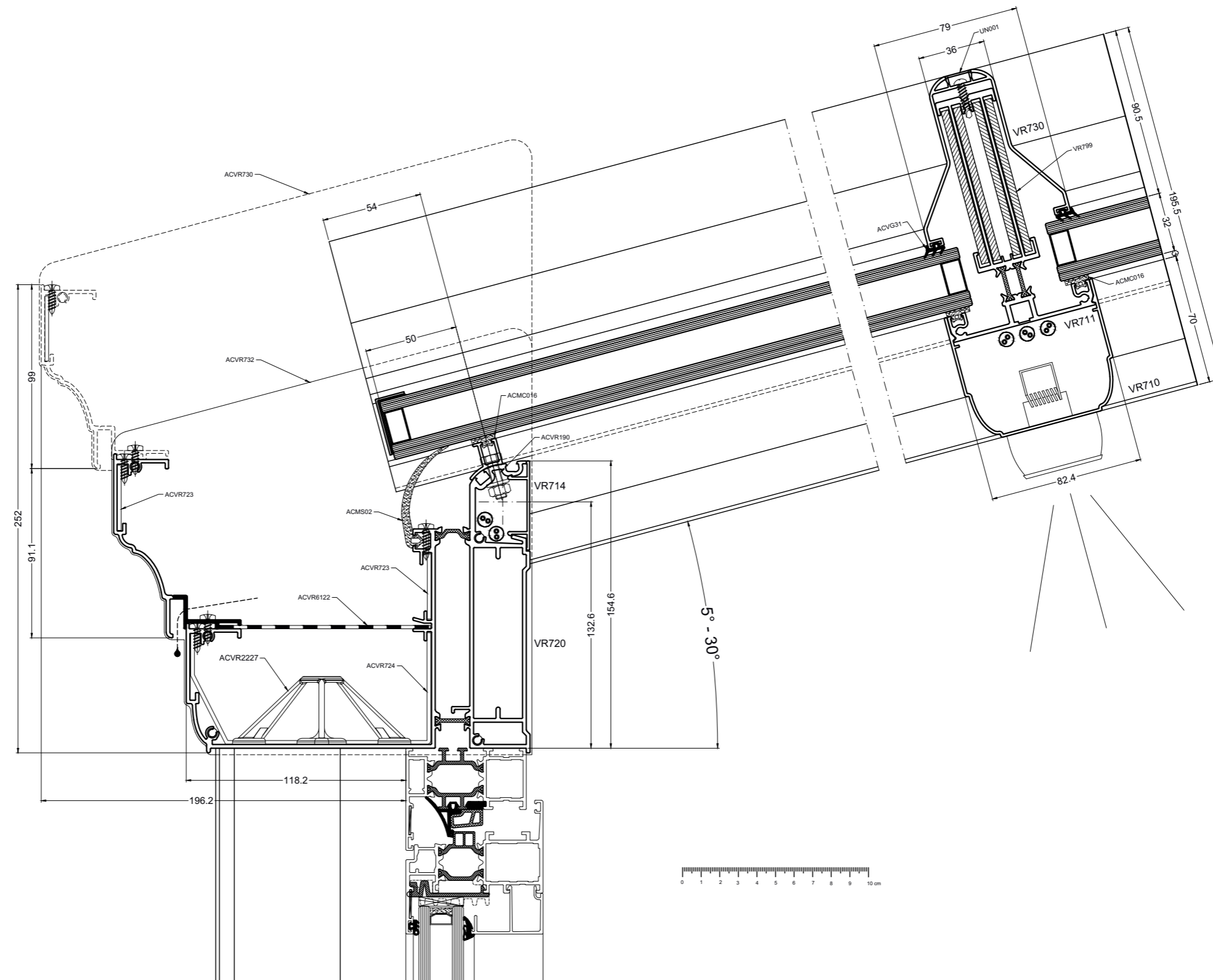
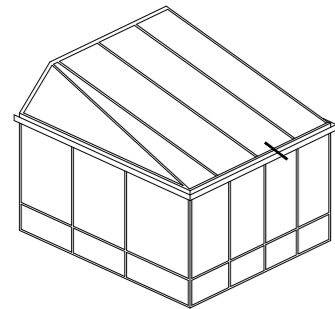
charge\_de\_neige





# VR700

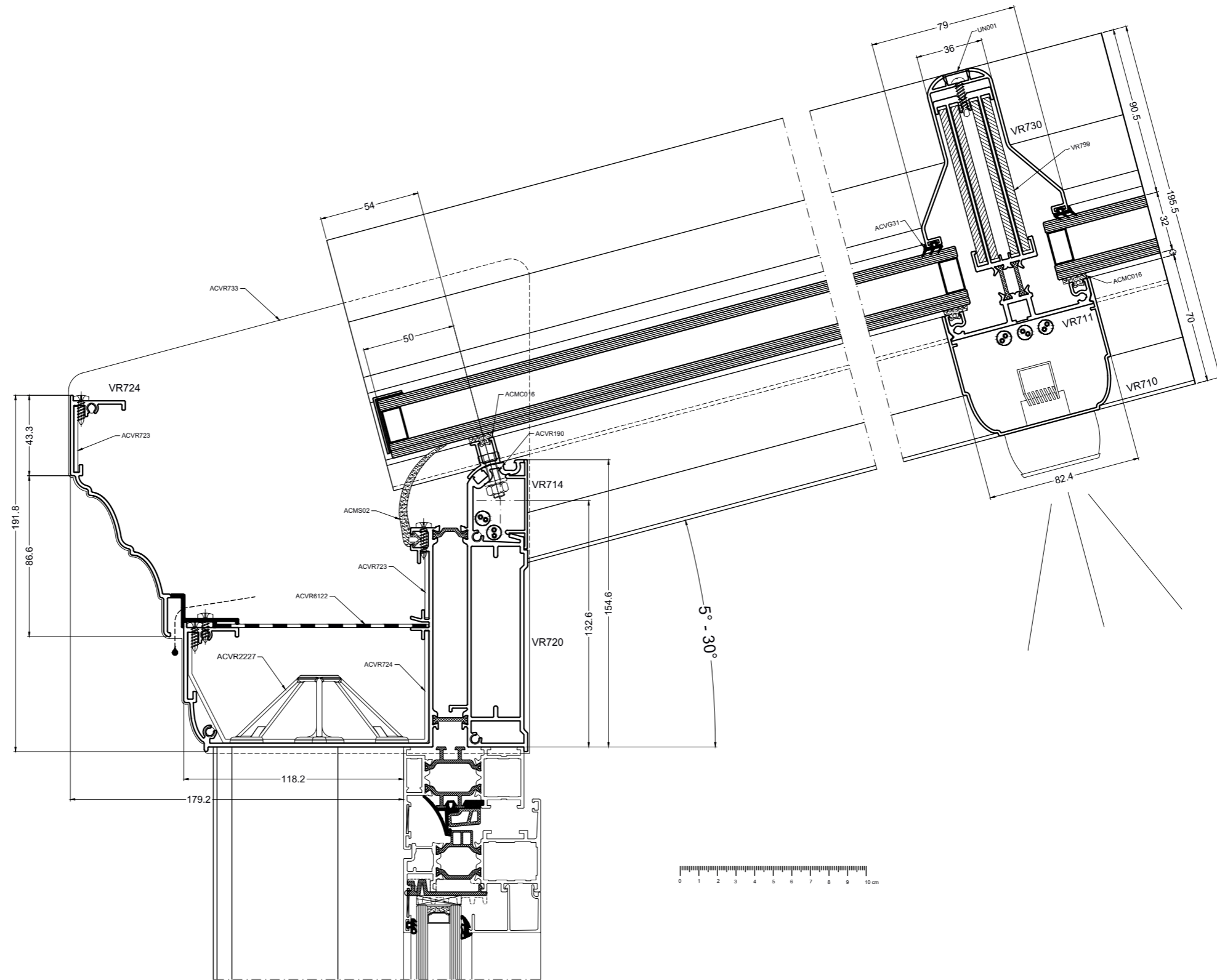
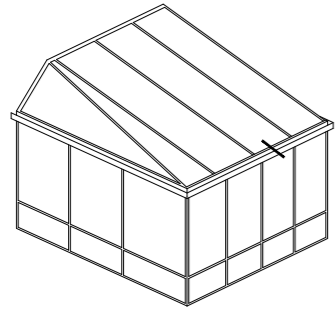
1A



DOORSNEDETEKENINGEN - COUPES - SCHNITTE - SECTION DRAWINGS

# VR700

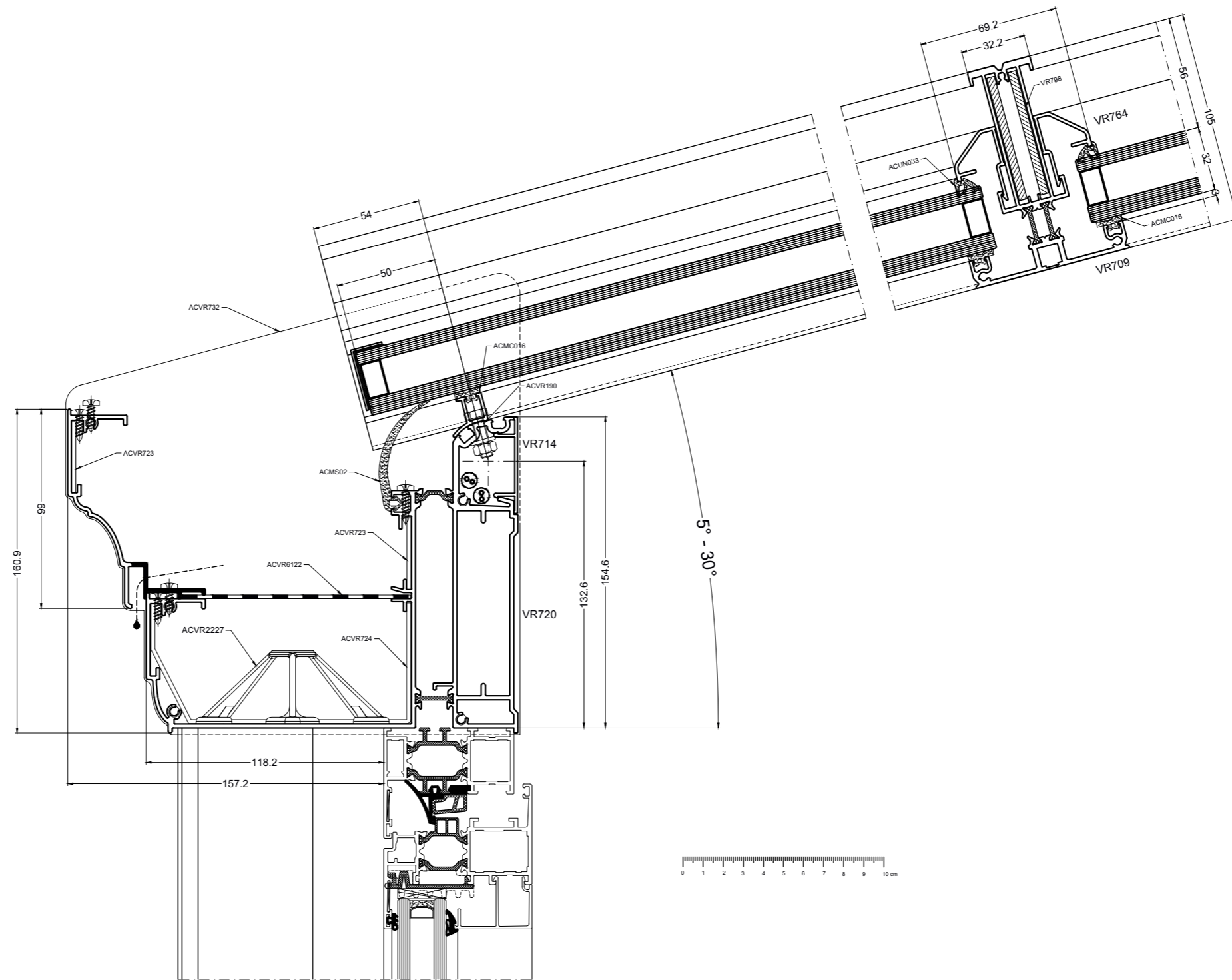
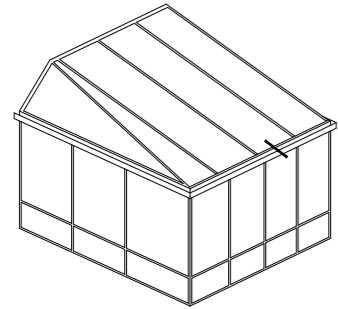
1B



VR720\_002

# VR700

1C



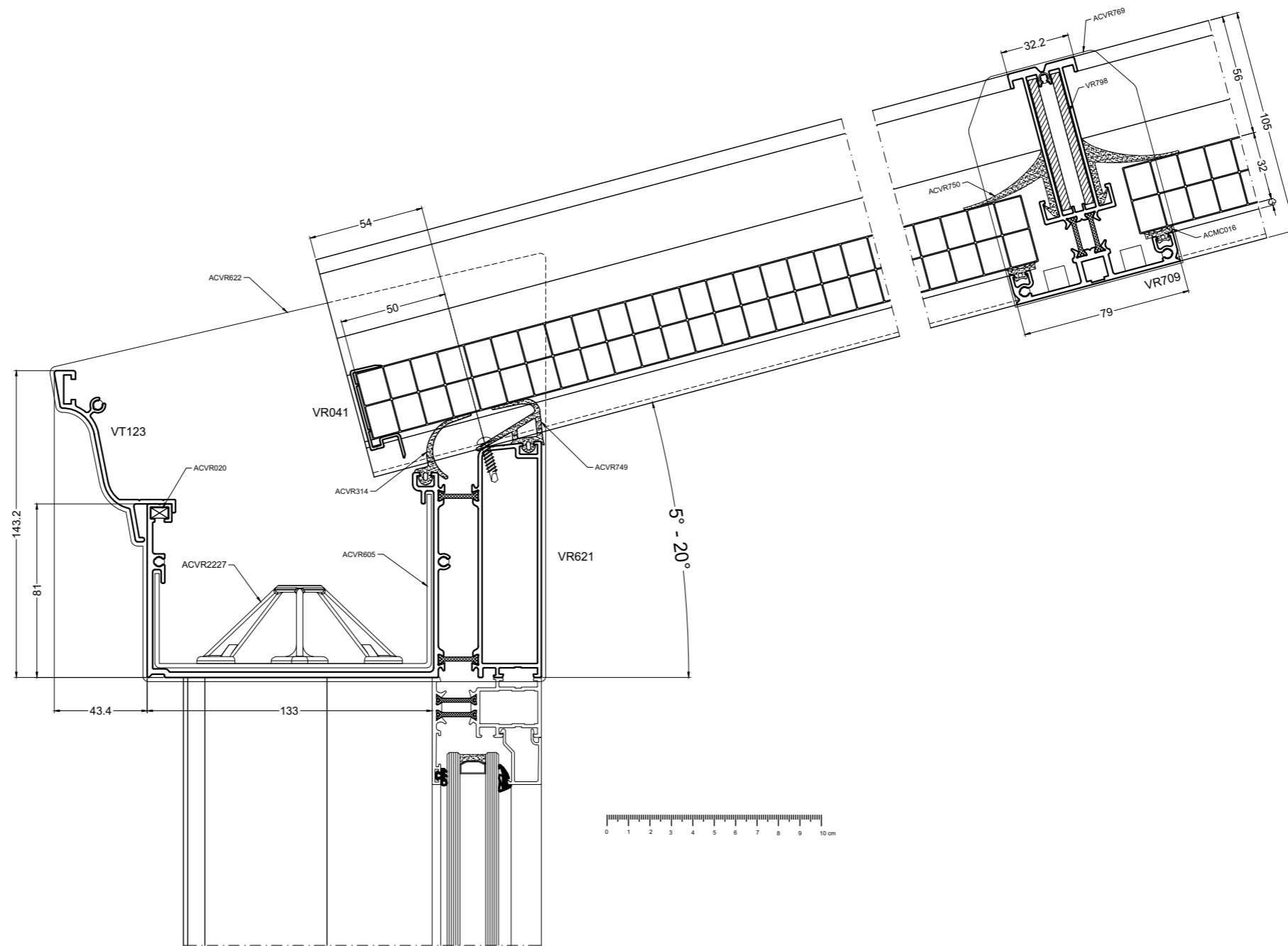
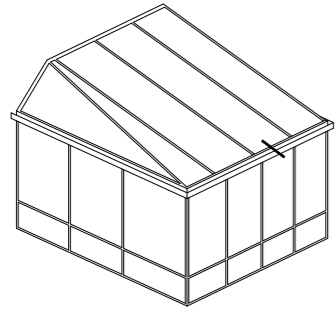
VR720\_003



25/6/15

# VR700

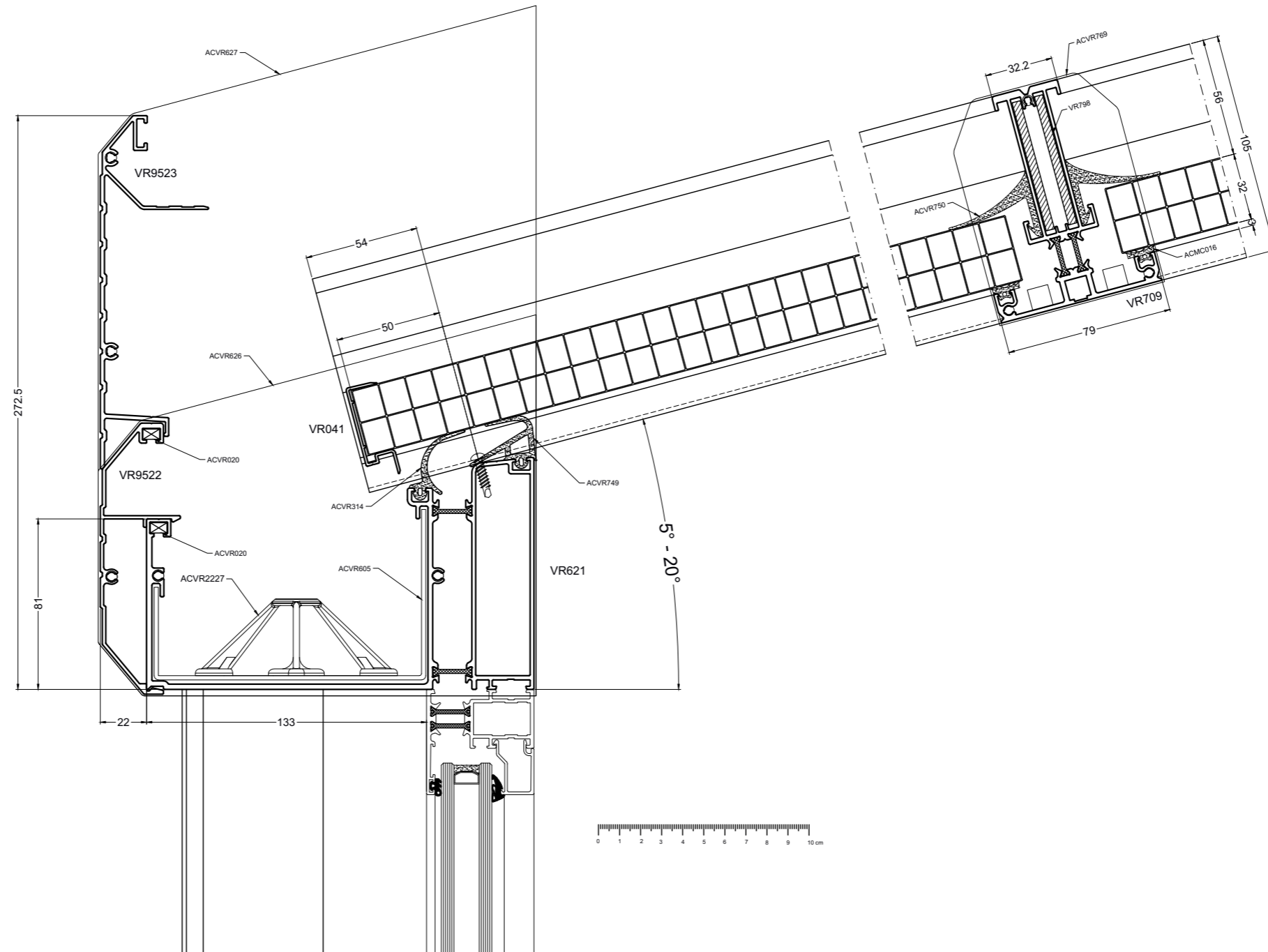
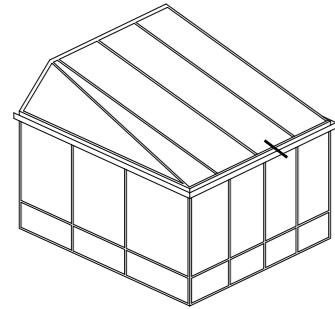
1D



VR621\_001

# VR700

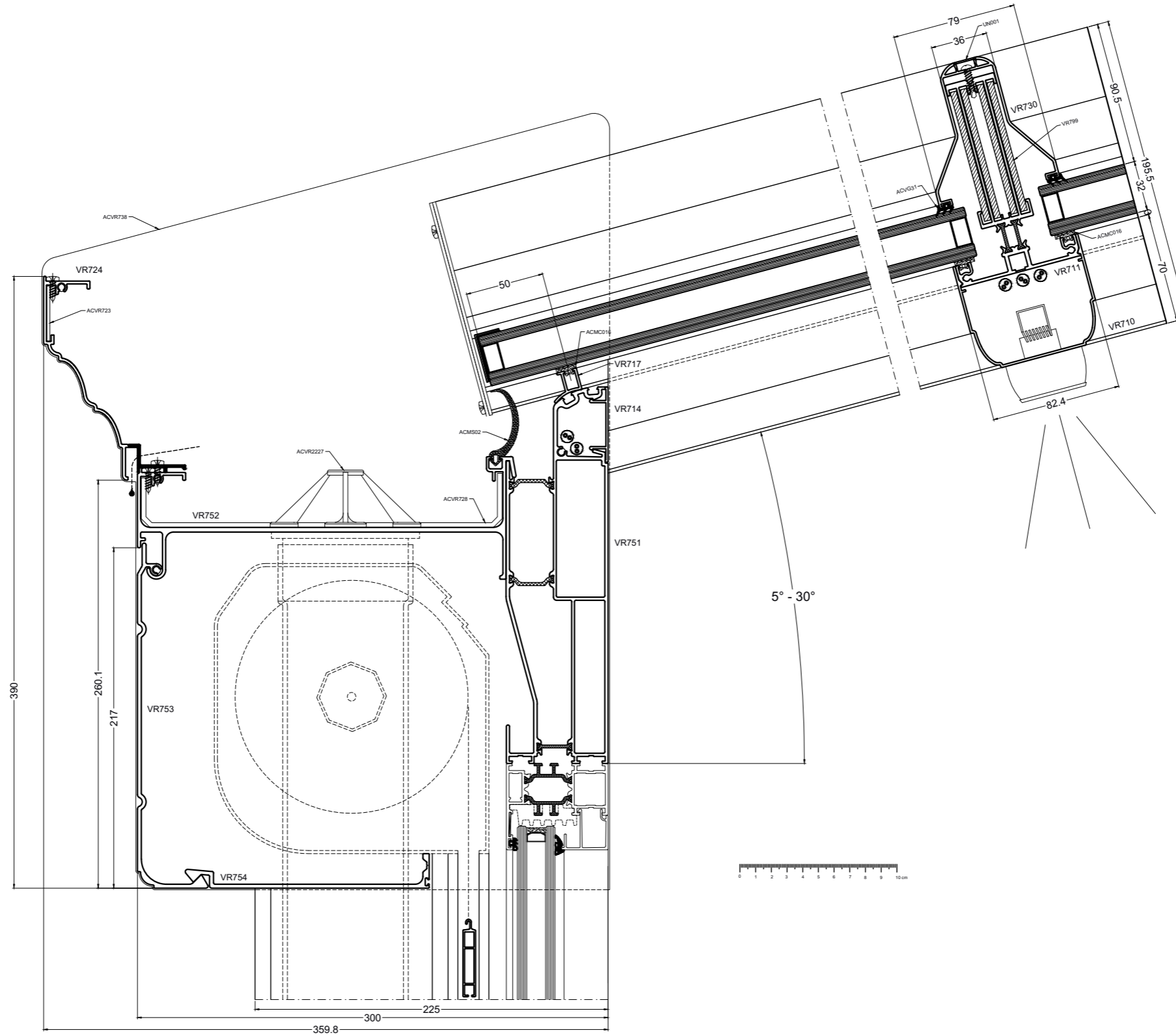
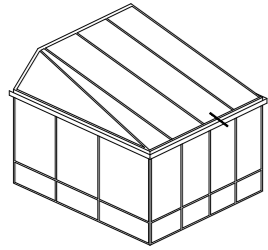
1E



DOORSNEDETEKENINGEN - COUPES - SCHNITTE - SECTION DRAWINGS

# VR700

1F

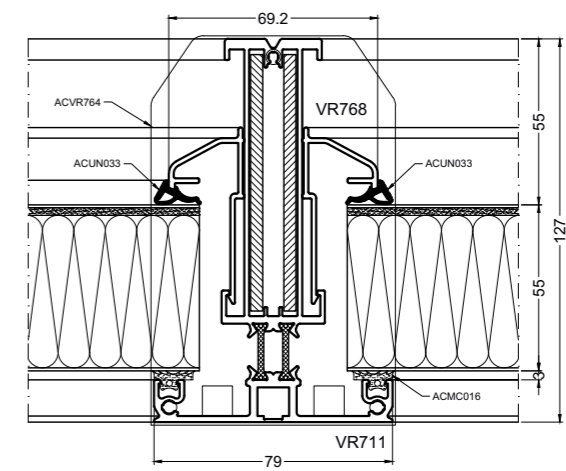
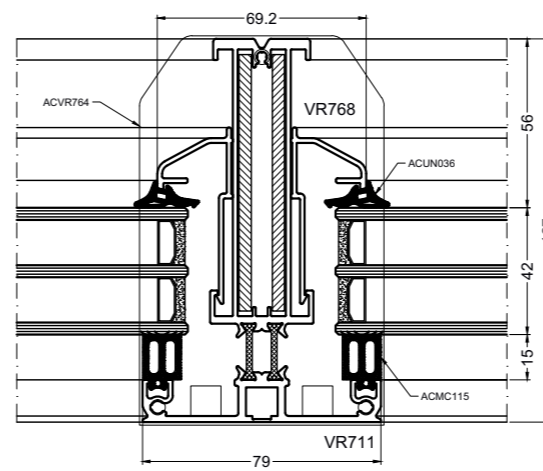
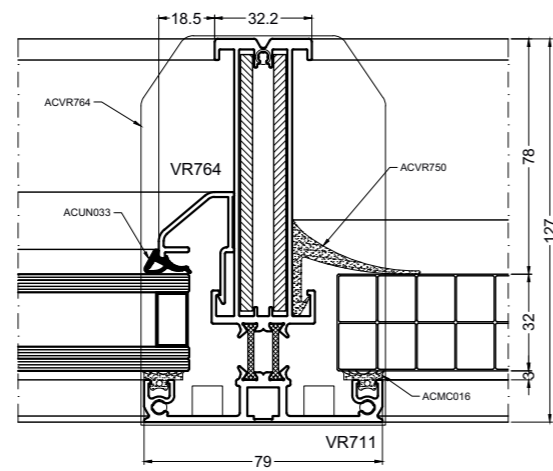
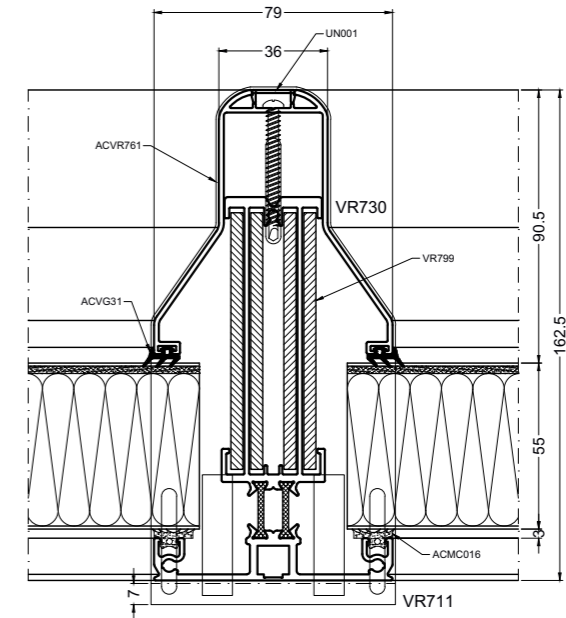
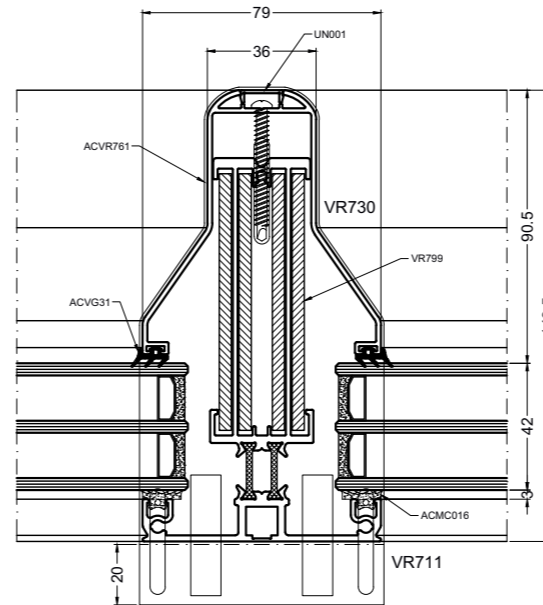
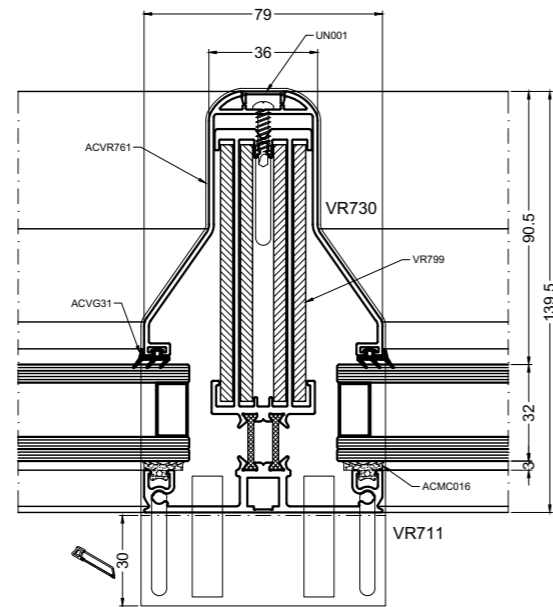
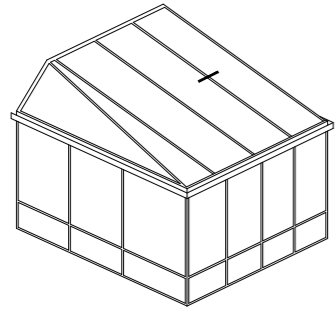


VR700\_INTEGROL



# VR700

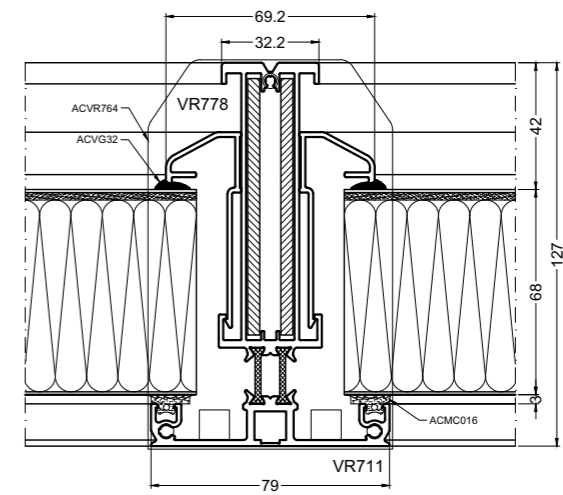
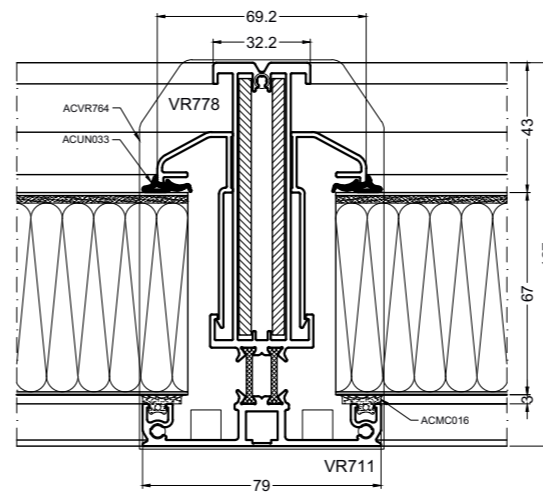
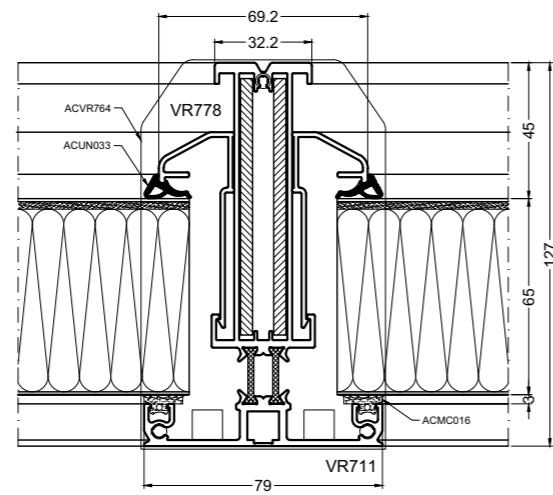
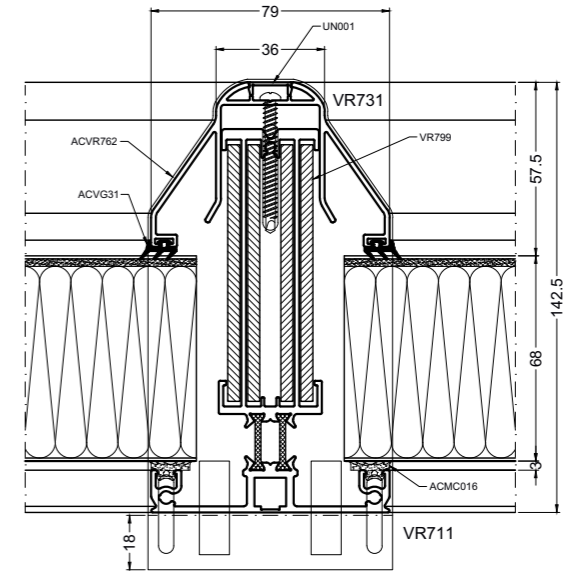
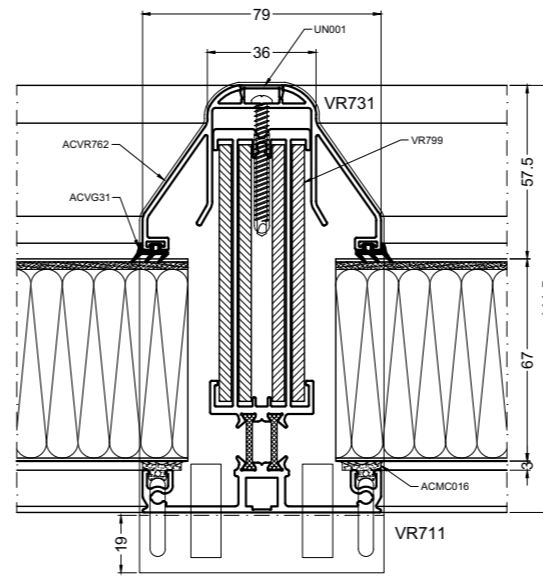
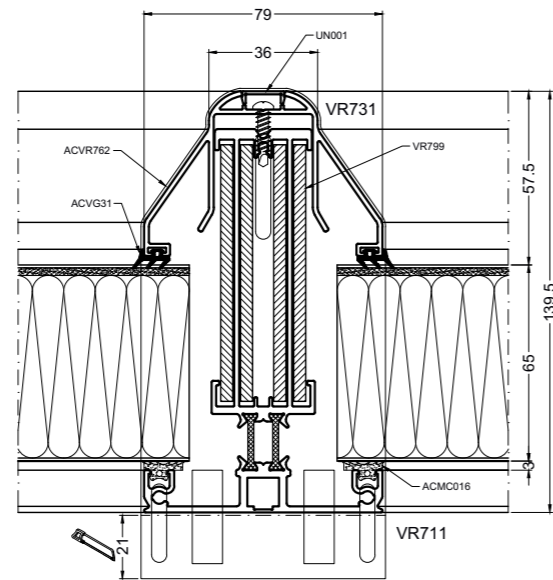
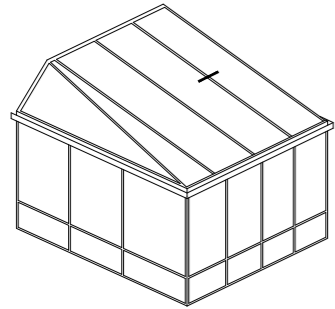
2A



DOORSNEDETEKENINGEN - COUPES - SCHNITTE - SECTION DRAWINGS

# VR700

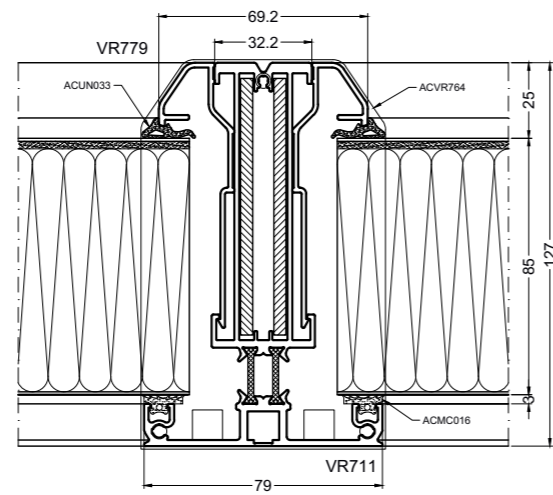
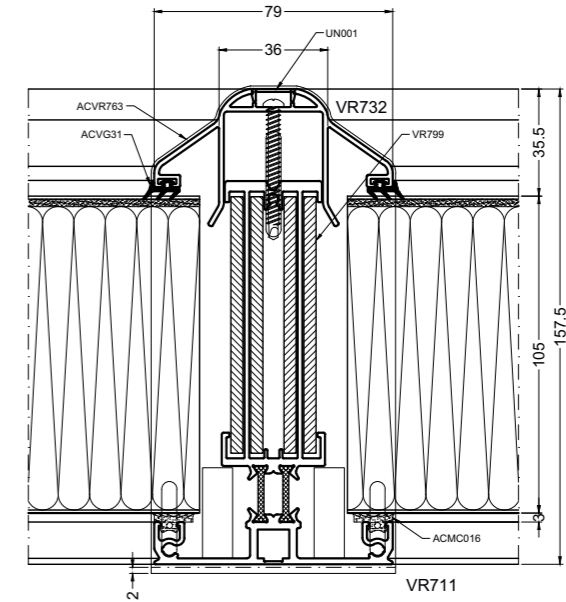
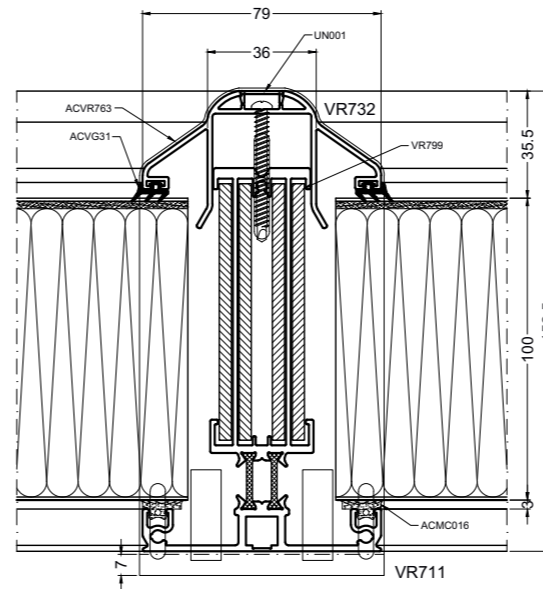
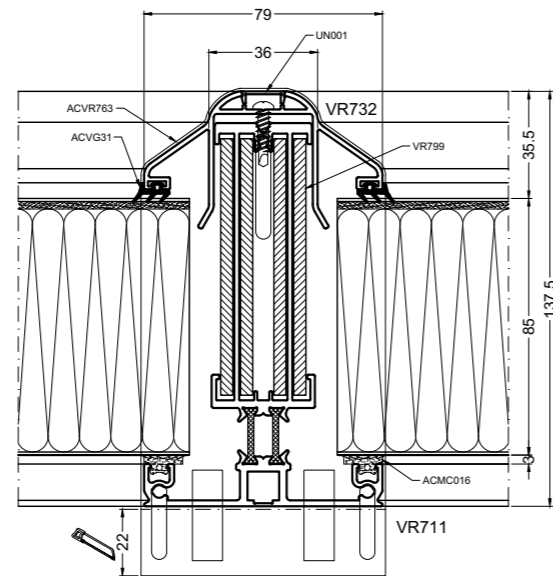
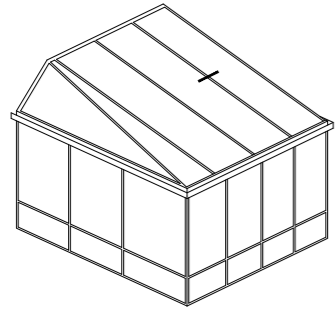
2B



VR711\_002

# VR700

2C



DOORSNEDETEKENINGEN - COUPES - SCHNITTE - SECTION DRAWINGS

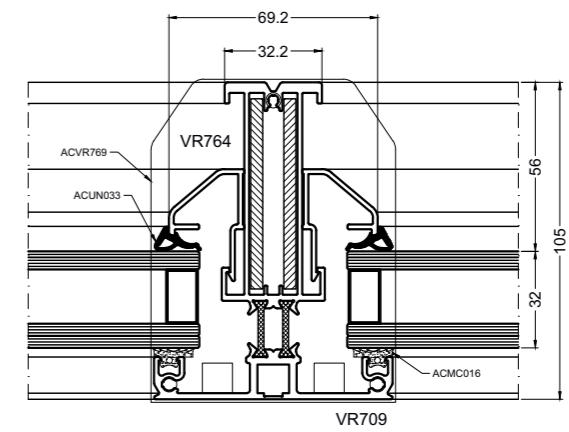
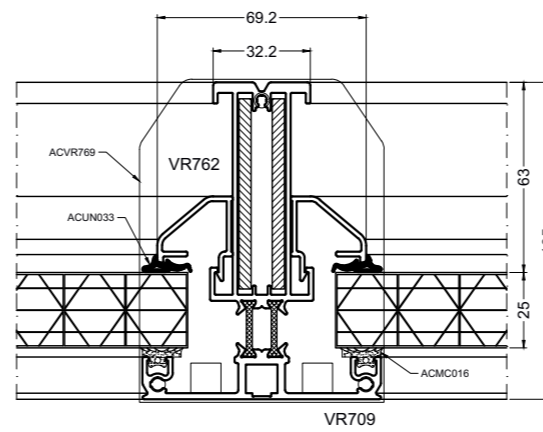
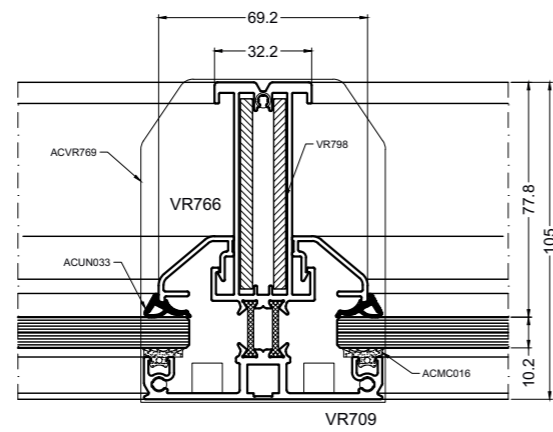
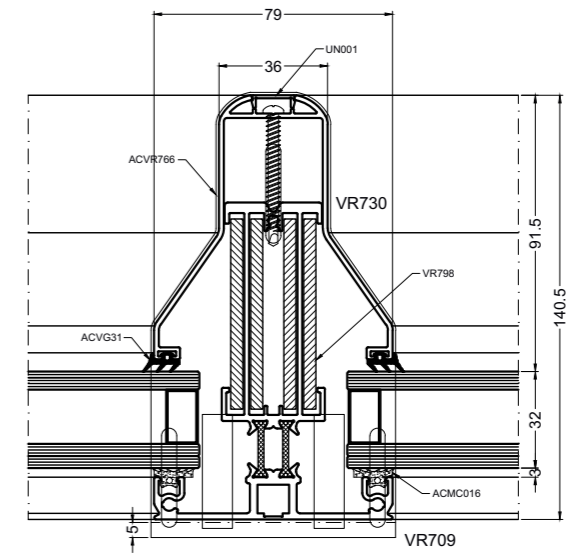
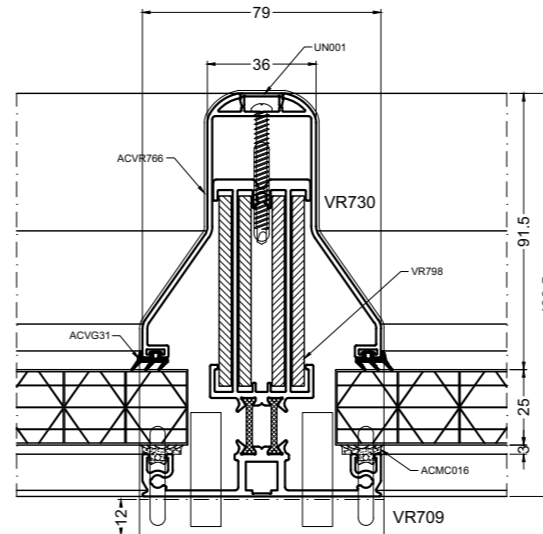
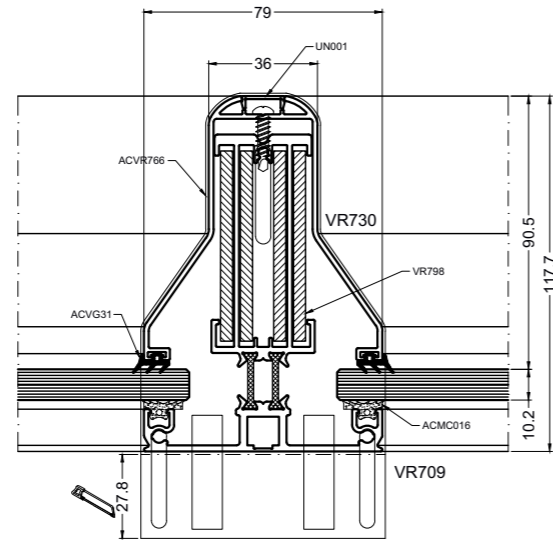
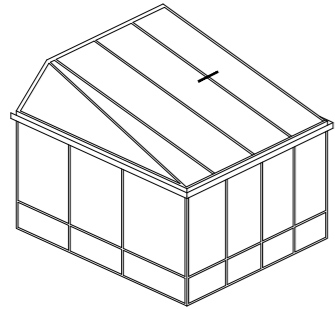
VR711\_003



25/6/15

# VR700

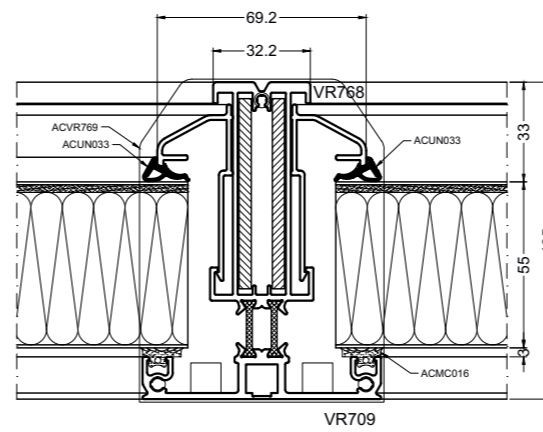
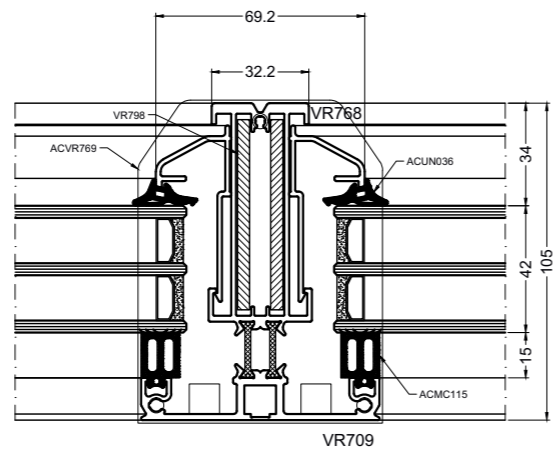
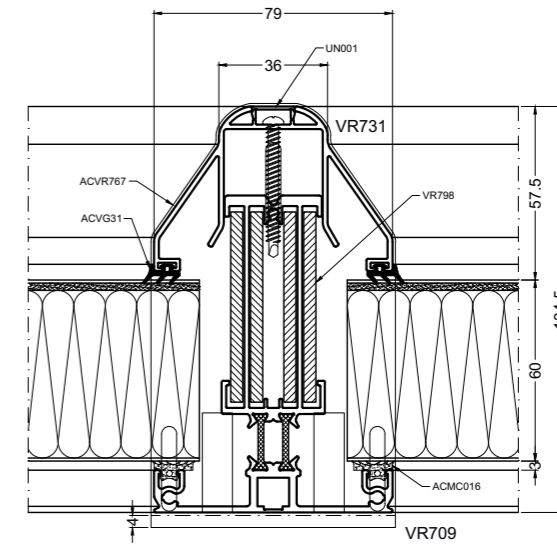
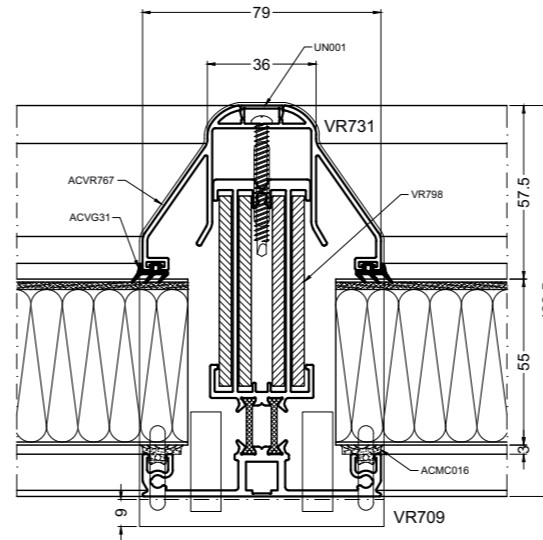
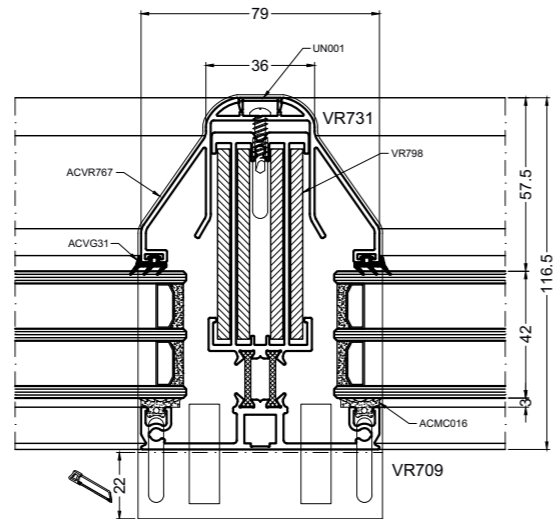
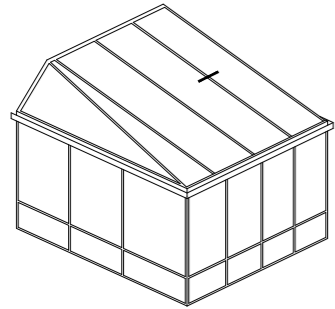
2D



VR709\_001

# VR700

2E



DOORSNEDETEKENINGEN - COUPES - SCHNITTE - SECTION DRAWINGS

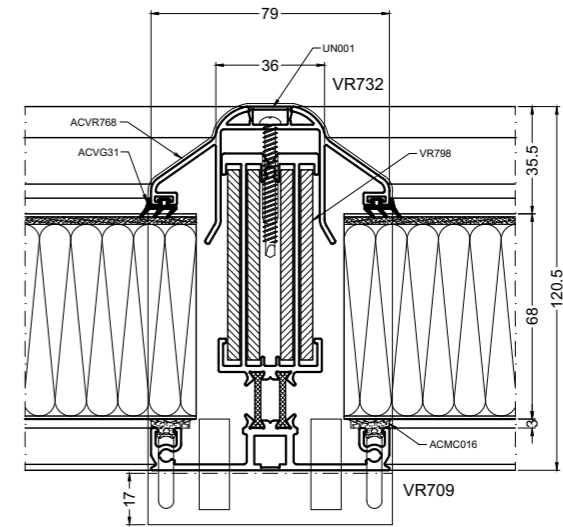
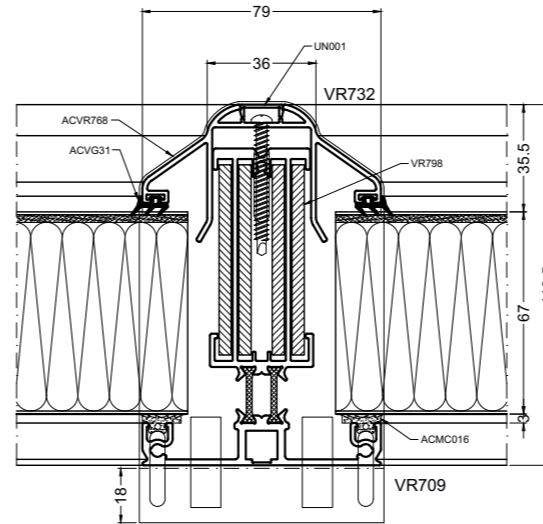
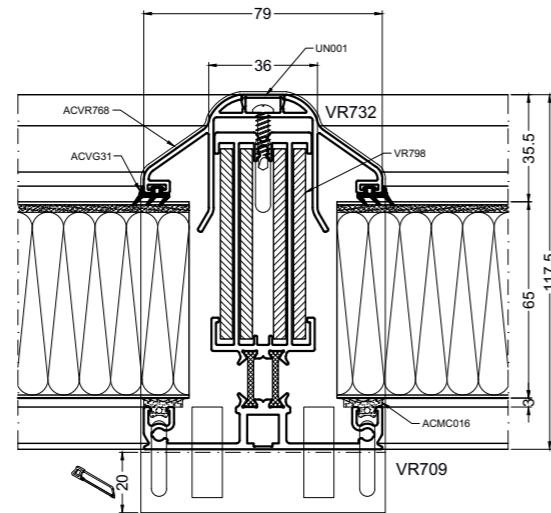
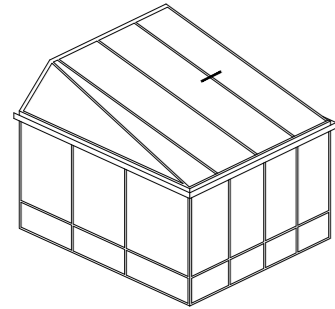
VR709\_002



25/6/15

# VR700

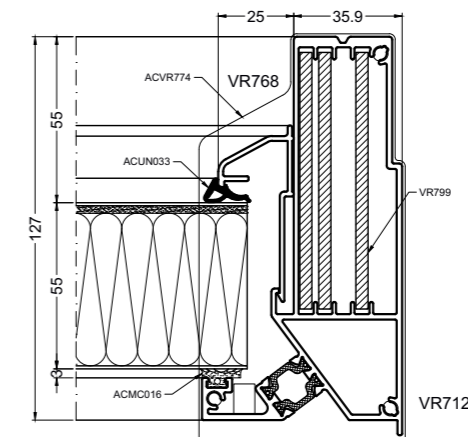
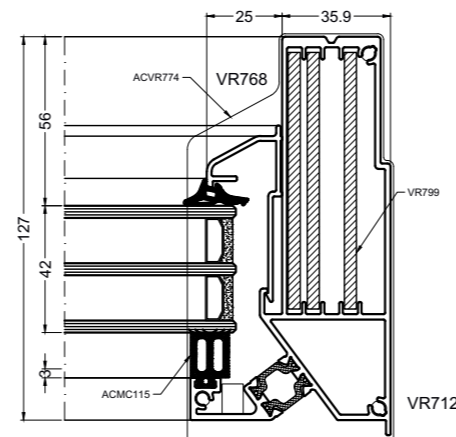
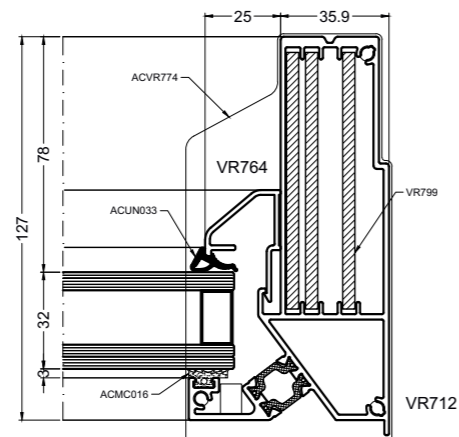
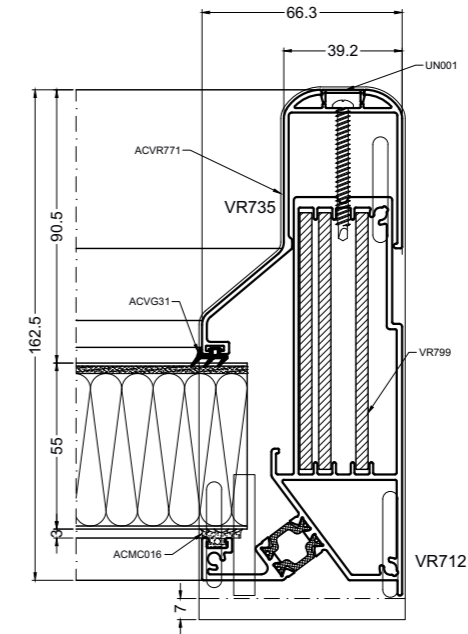
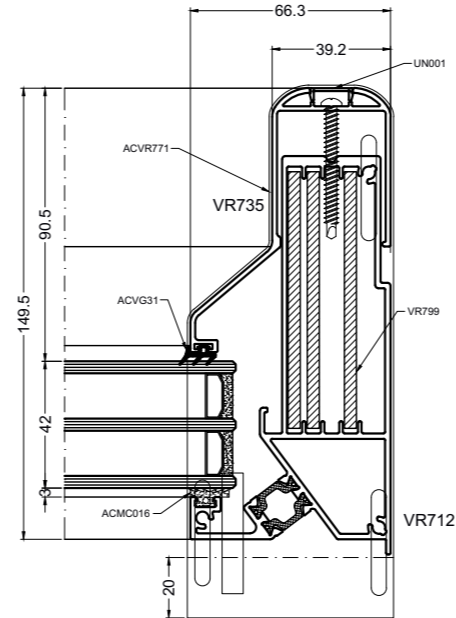
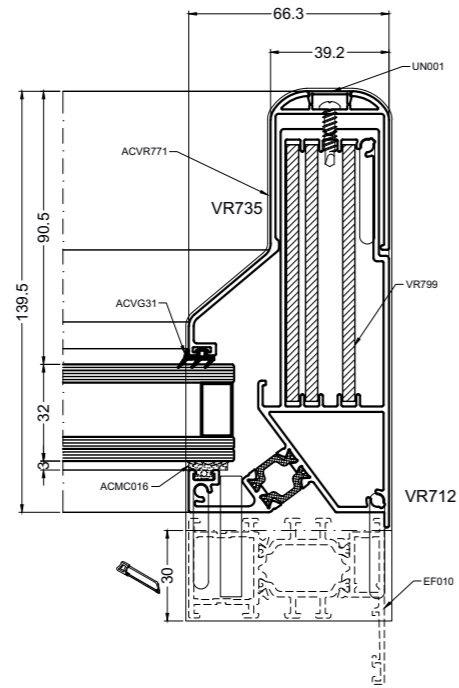
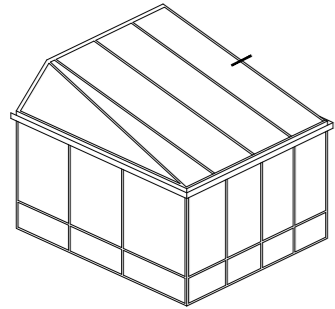
2F



VR709\_003

3A

# VR700



DOORSNEDETEKENINGEN - COUPES - SCHNITTE - SECTION DRAWINGS

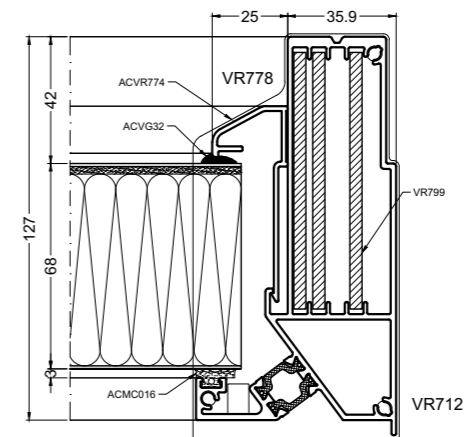
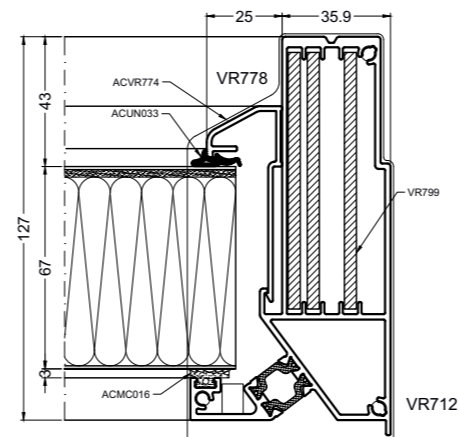
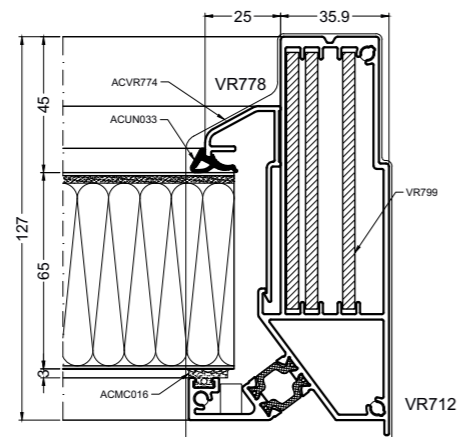
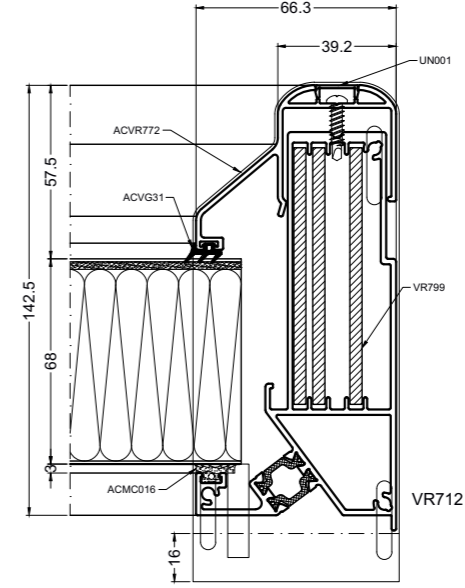
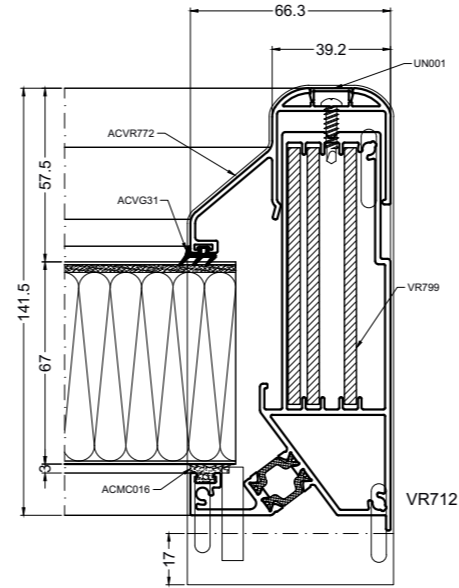
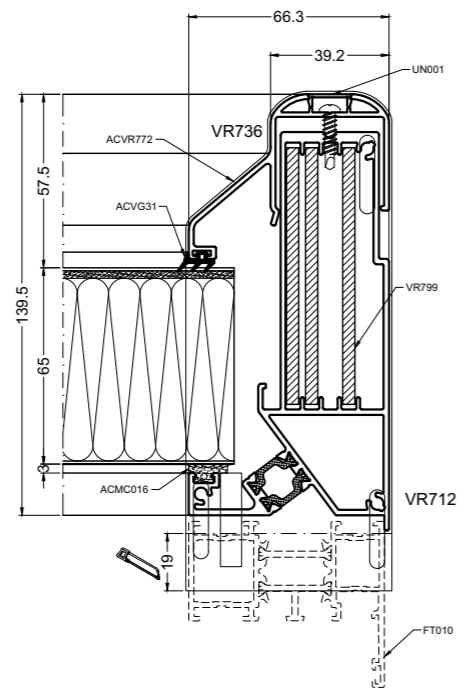
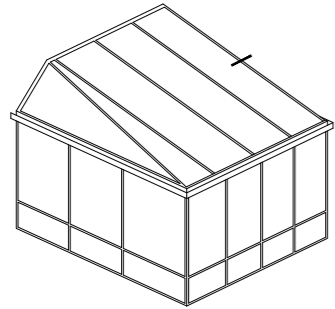
VR712\_001



25/6/15

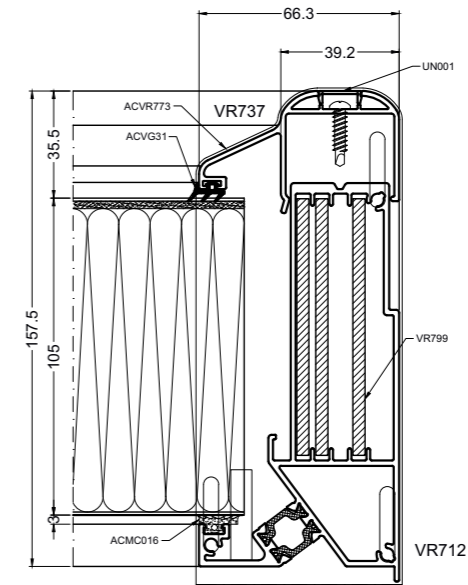
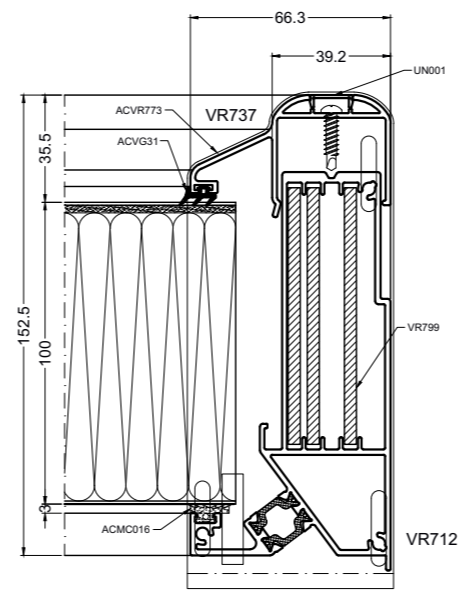
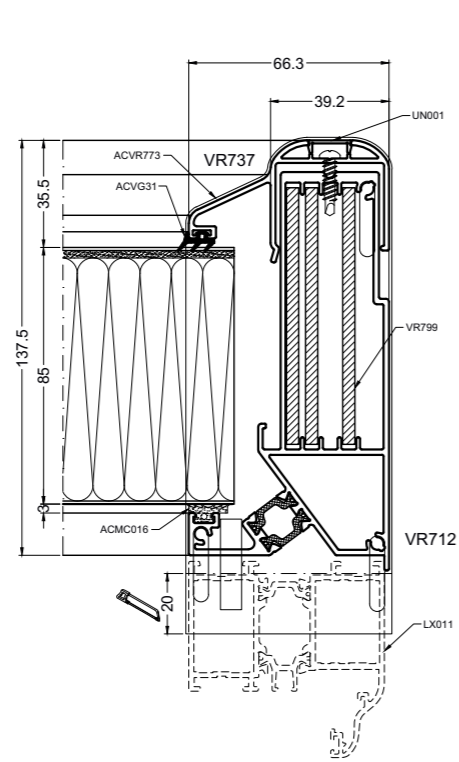
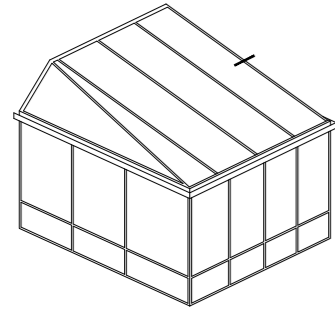
# VR700

3B



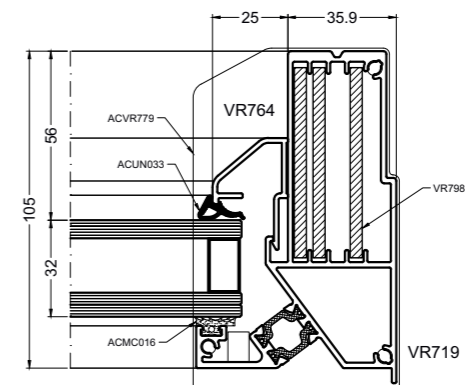
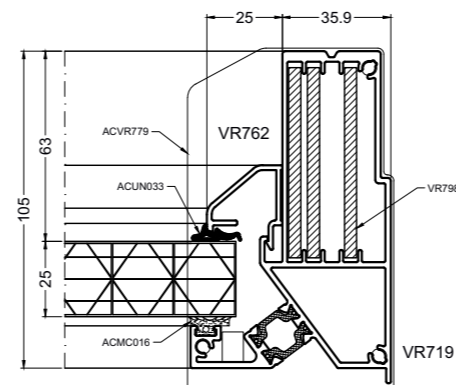
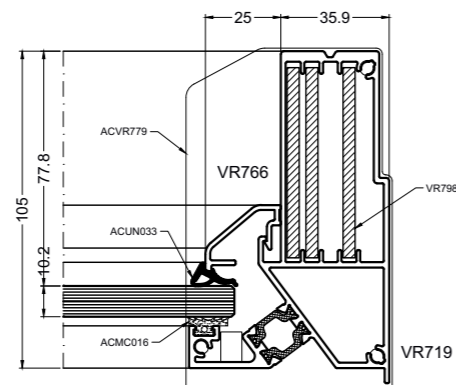
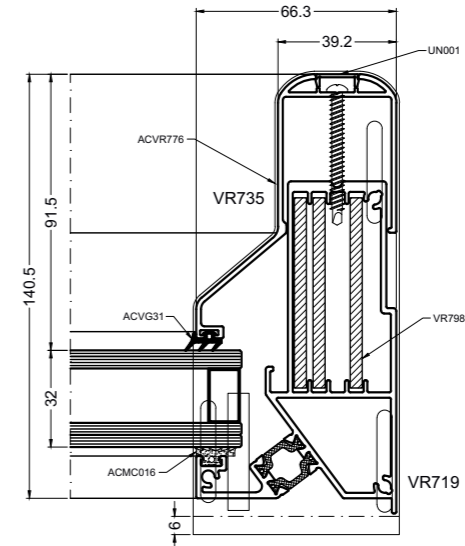
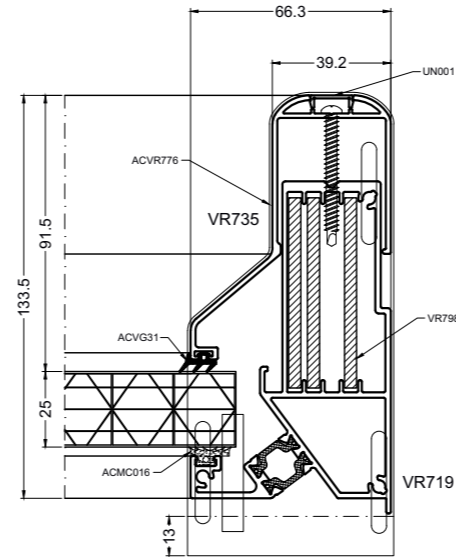
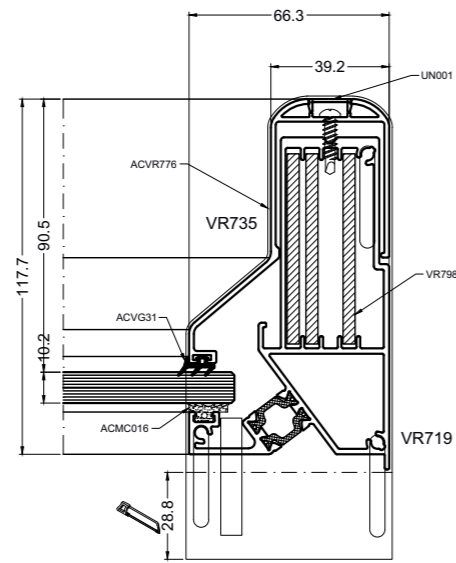
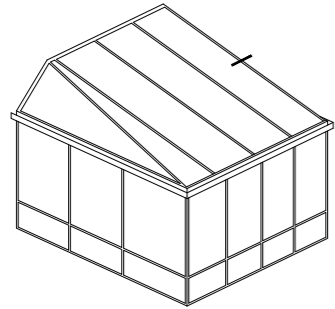
VR712\_002





# VR700

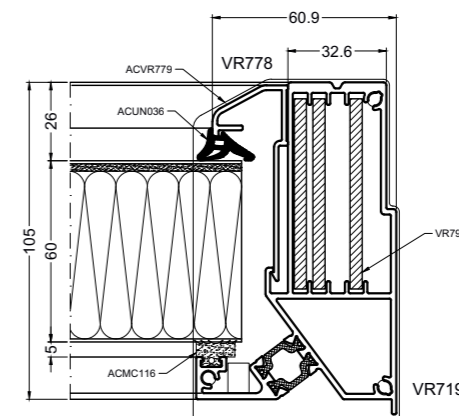
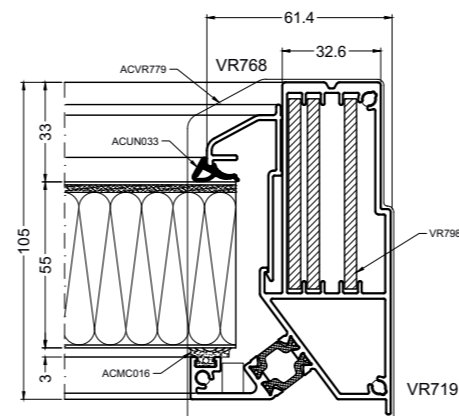
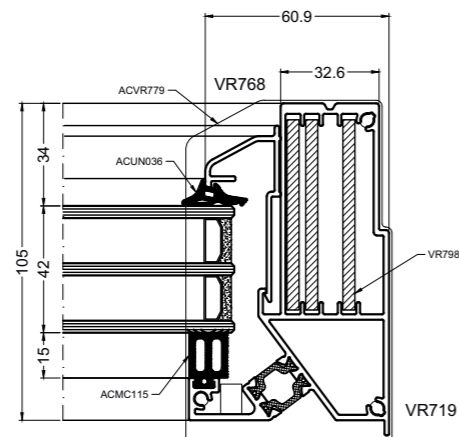
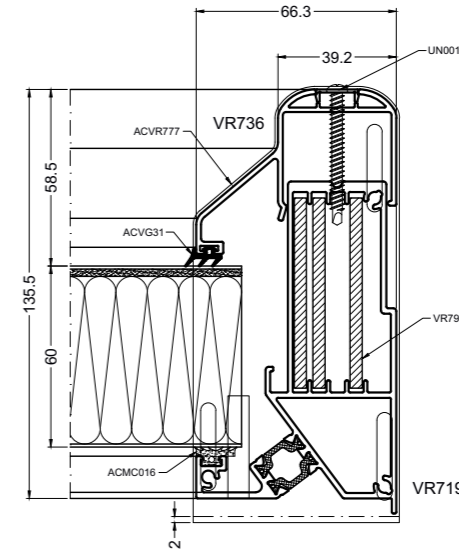
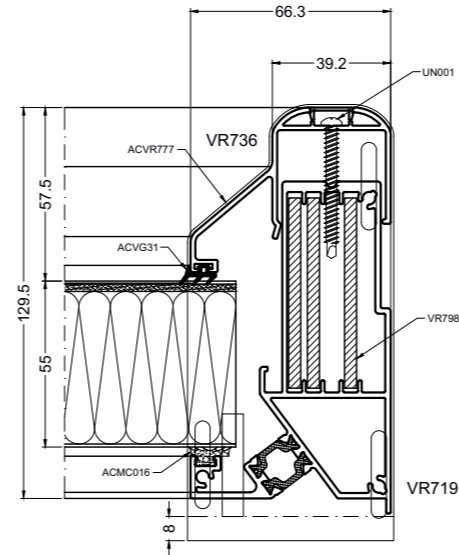
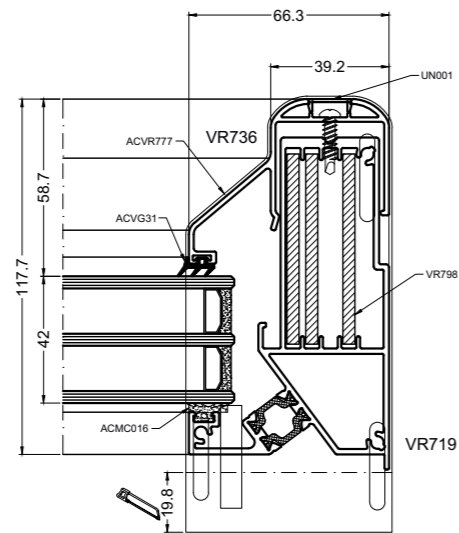
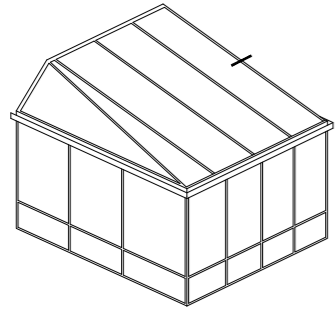
3D



VR719\_001

# VR700

3E



DOORSNEDETEKENINGEN - COUPES - SCHNITTE - SECTION DRAWINGS

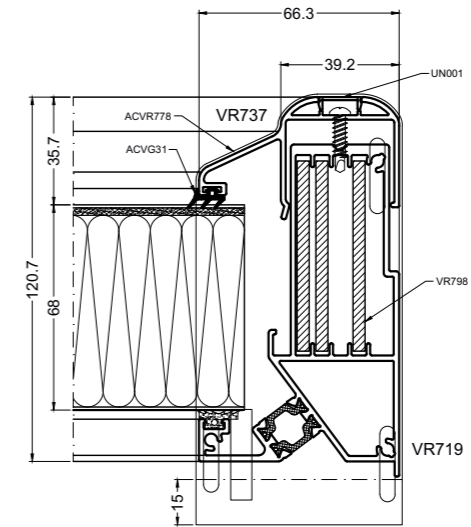
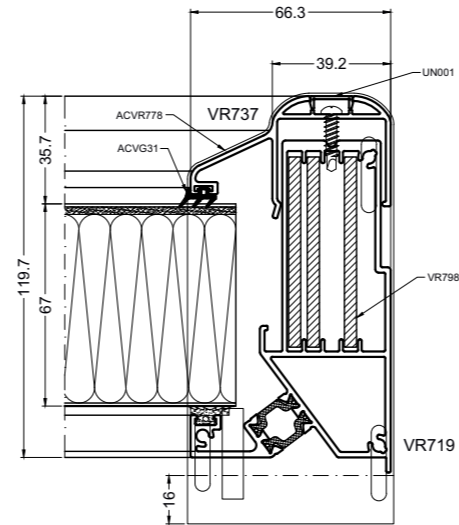
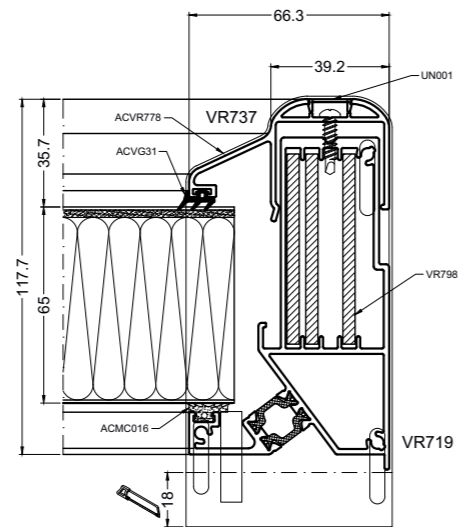
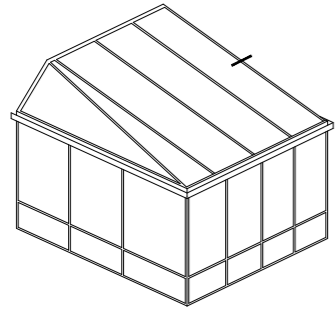
VR719\_002



25/6/15

# VR700

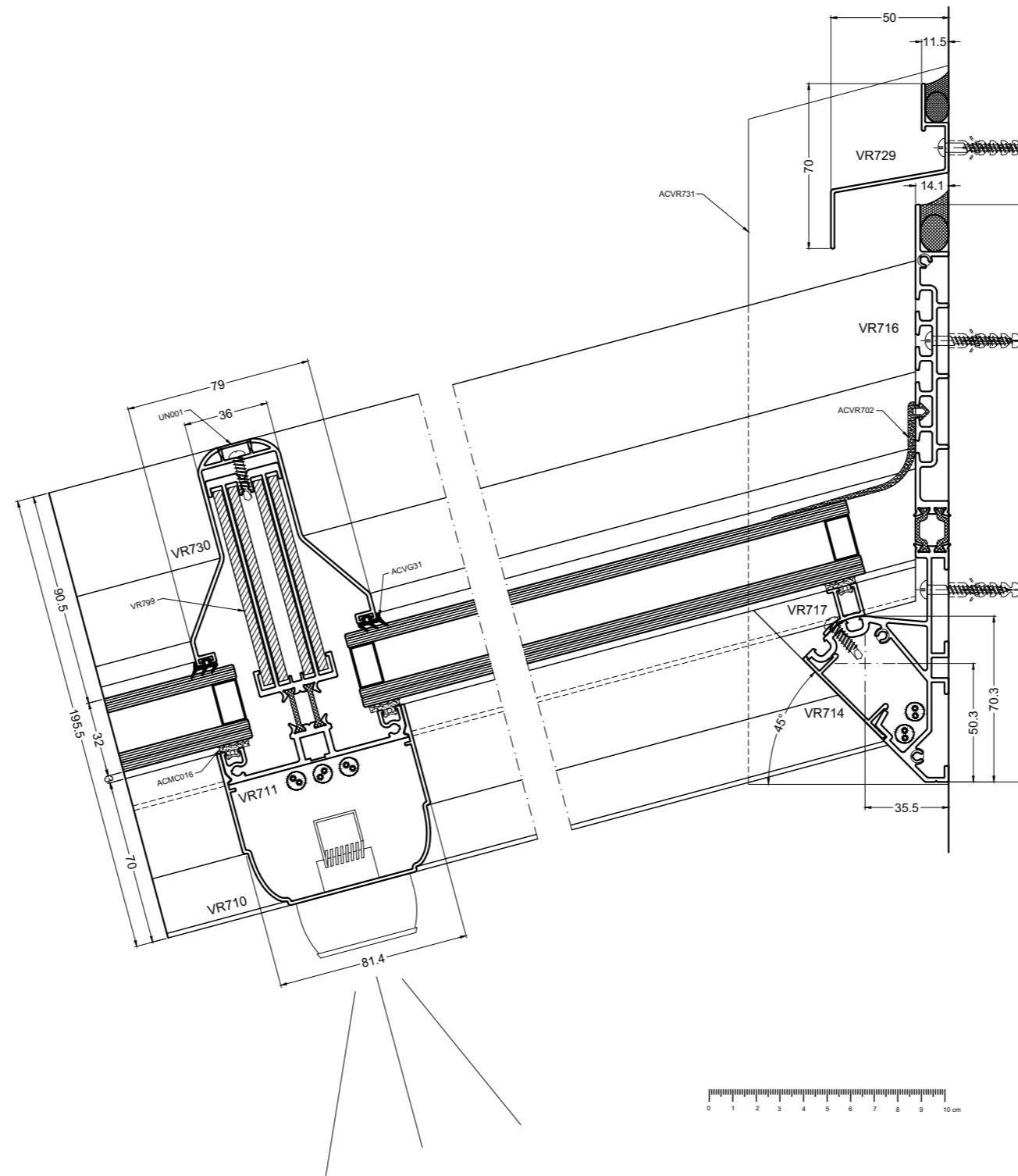
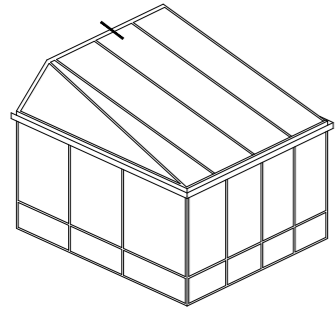
3F



VR719\_003

# VR700

4A



DOORSNEDETEKENINGEN - COUPES - SCHNITTE - SECTION DRAWINGS

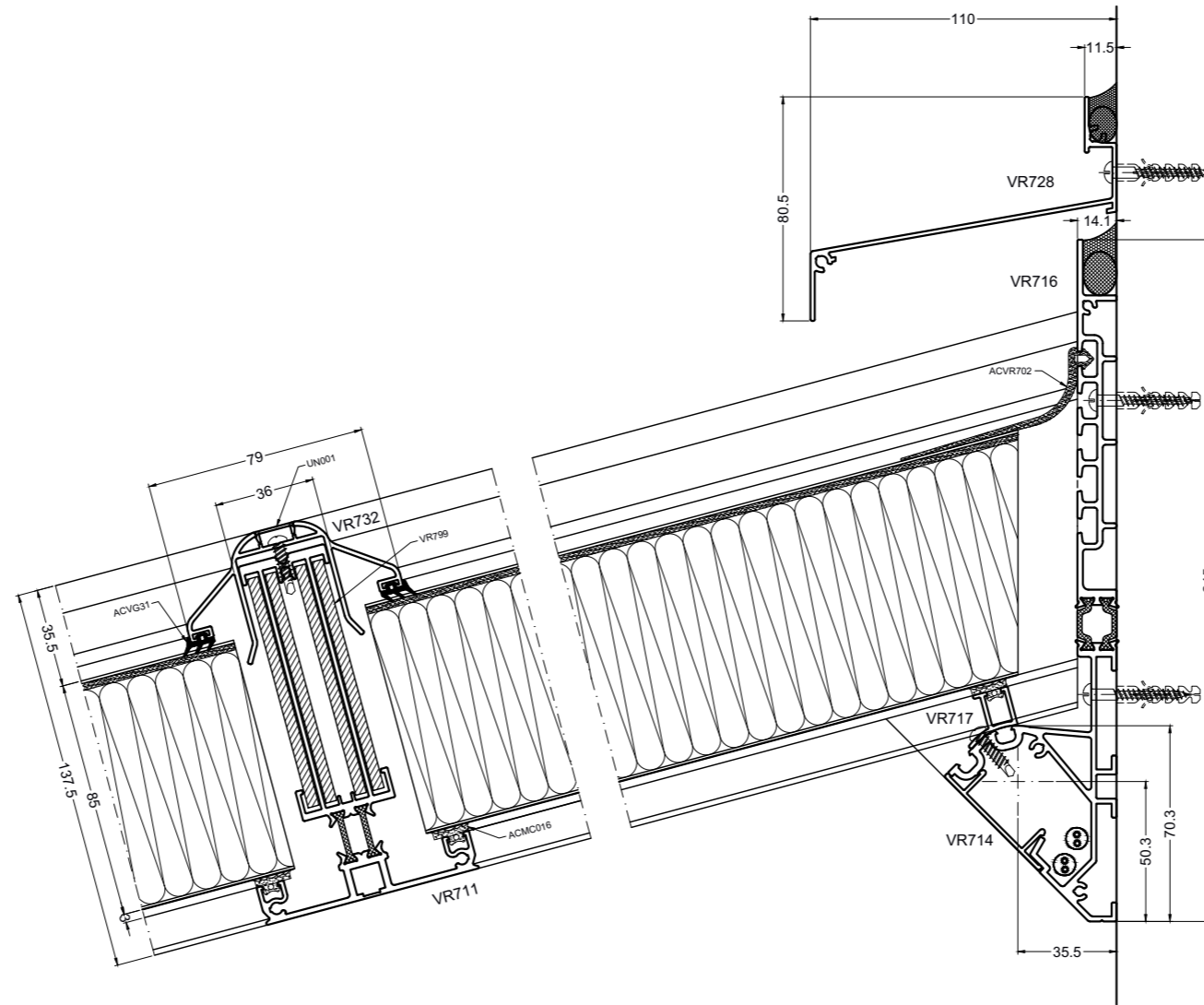
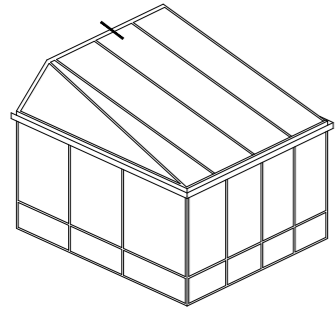
VR716\_001



25/6/15

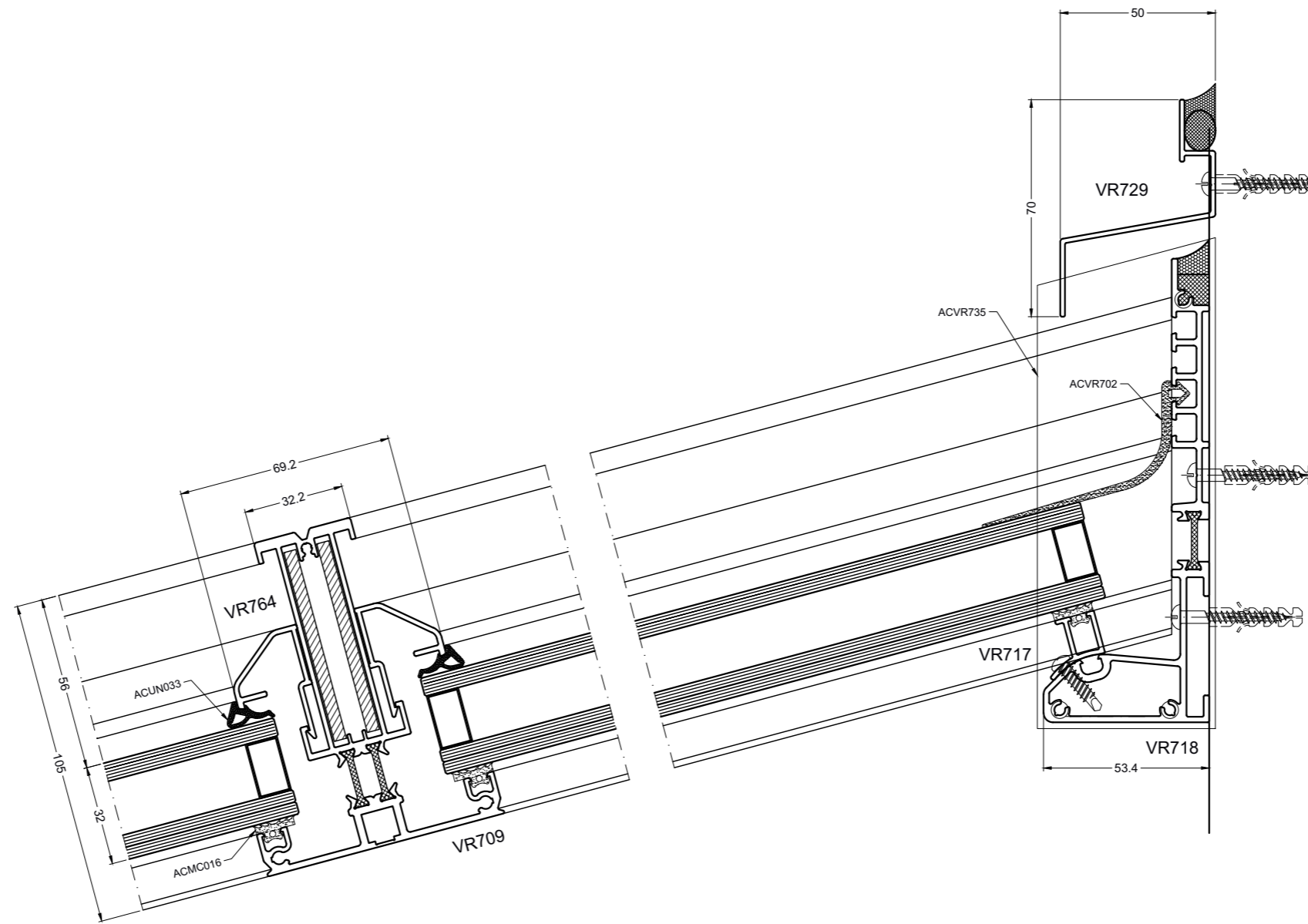
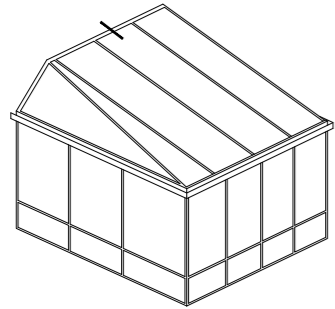
# VR700

4B



VR716\_002

4C



DOORSNEDETEKENINGEN - COUPES - SCHNITTE - SECTION DRAWINGS

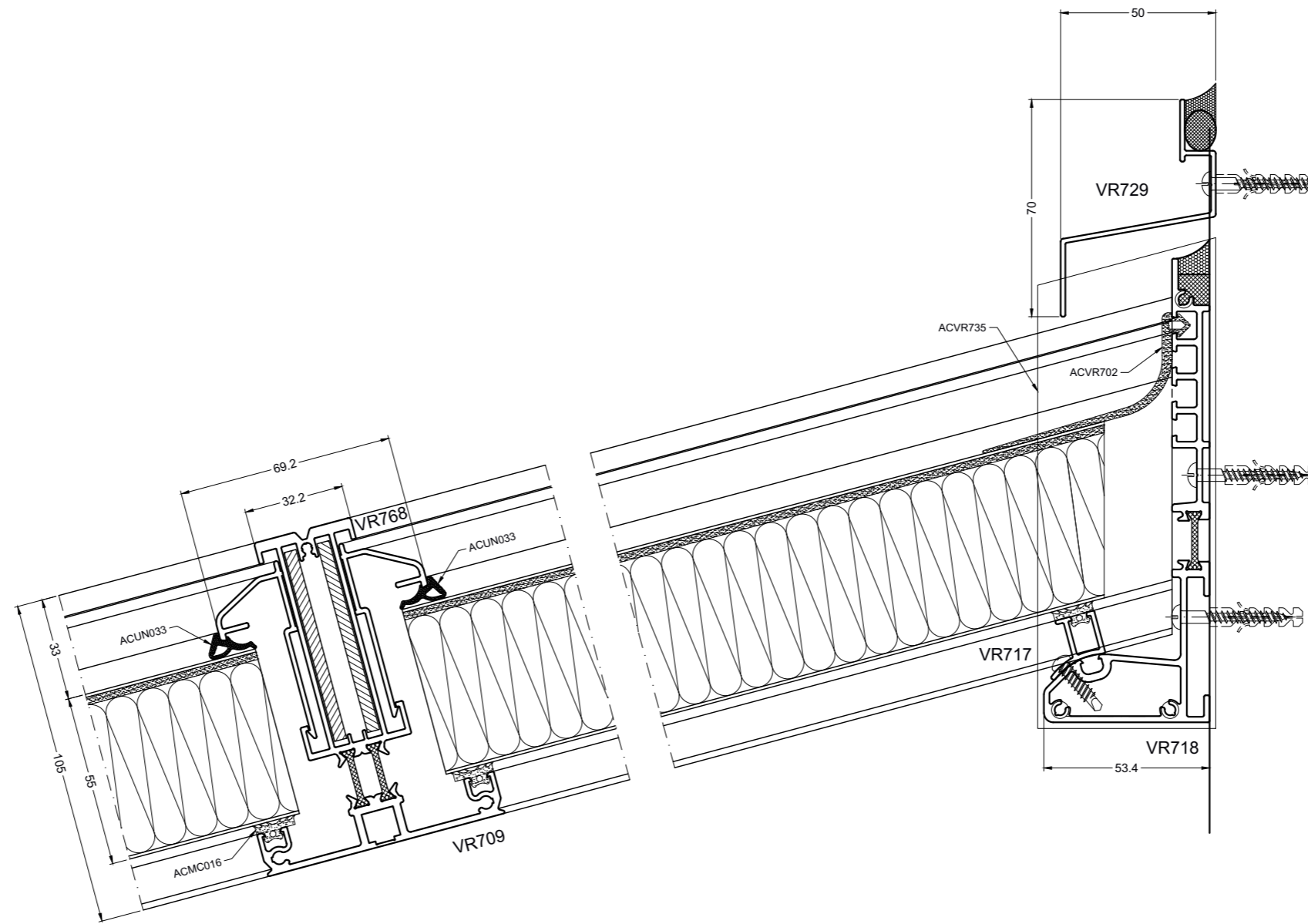
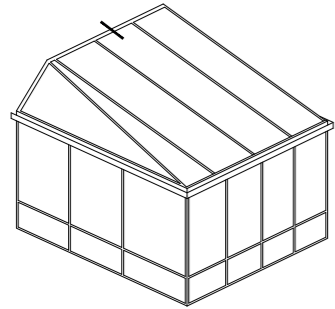
VR718\_001



25/6/15

# VR700

4D

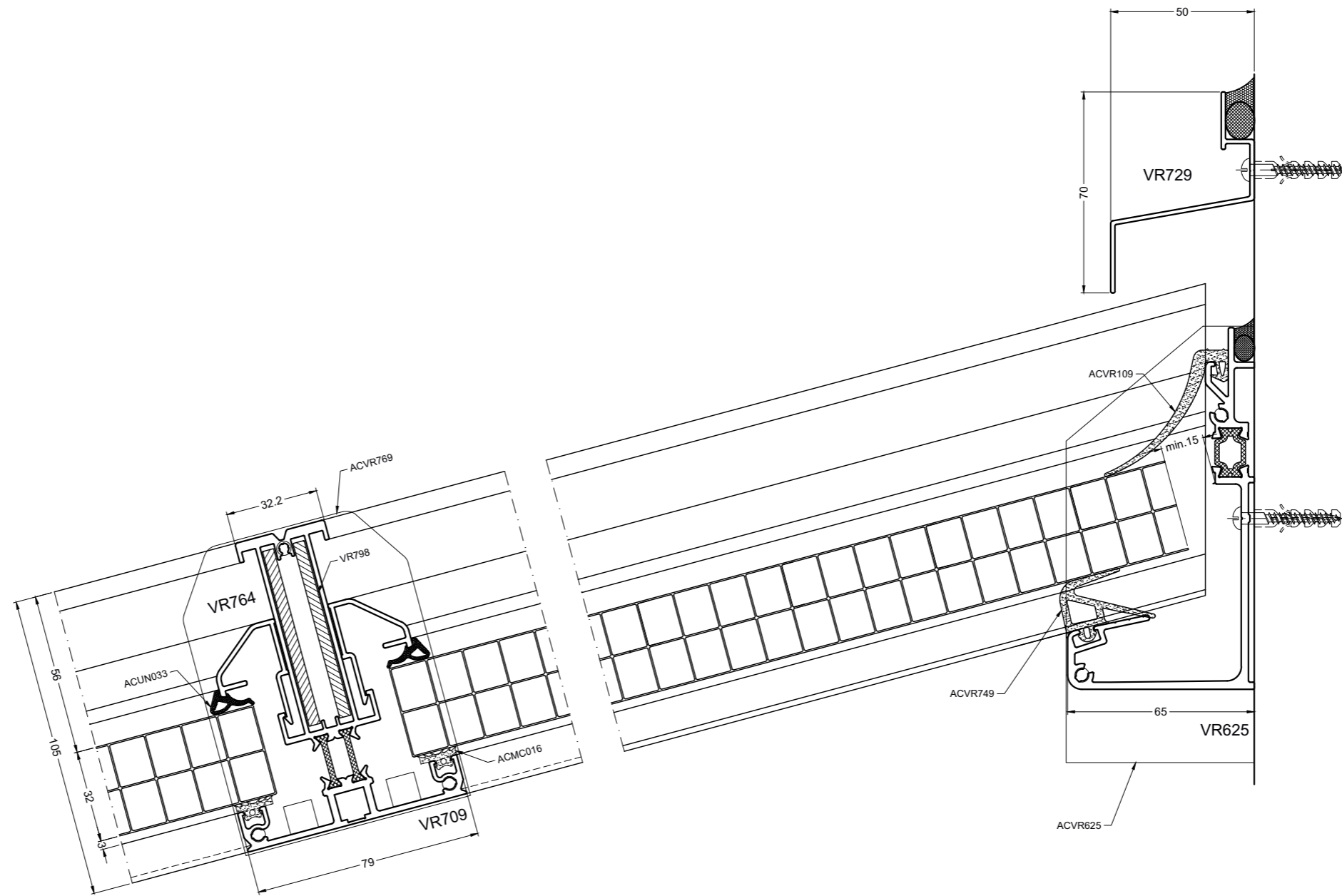
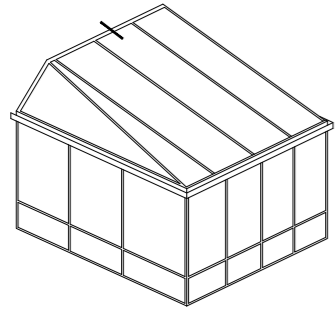


VR718\_002



# VR700

4E



DOORSNEDETEKENINGEN - COUPES - SCHNITTE - SECTION DRAWINGS

VR625\_001

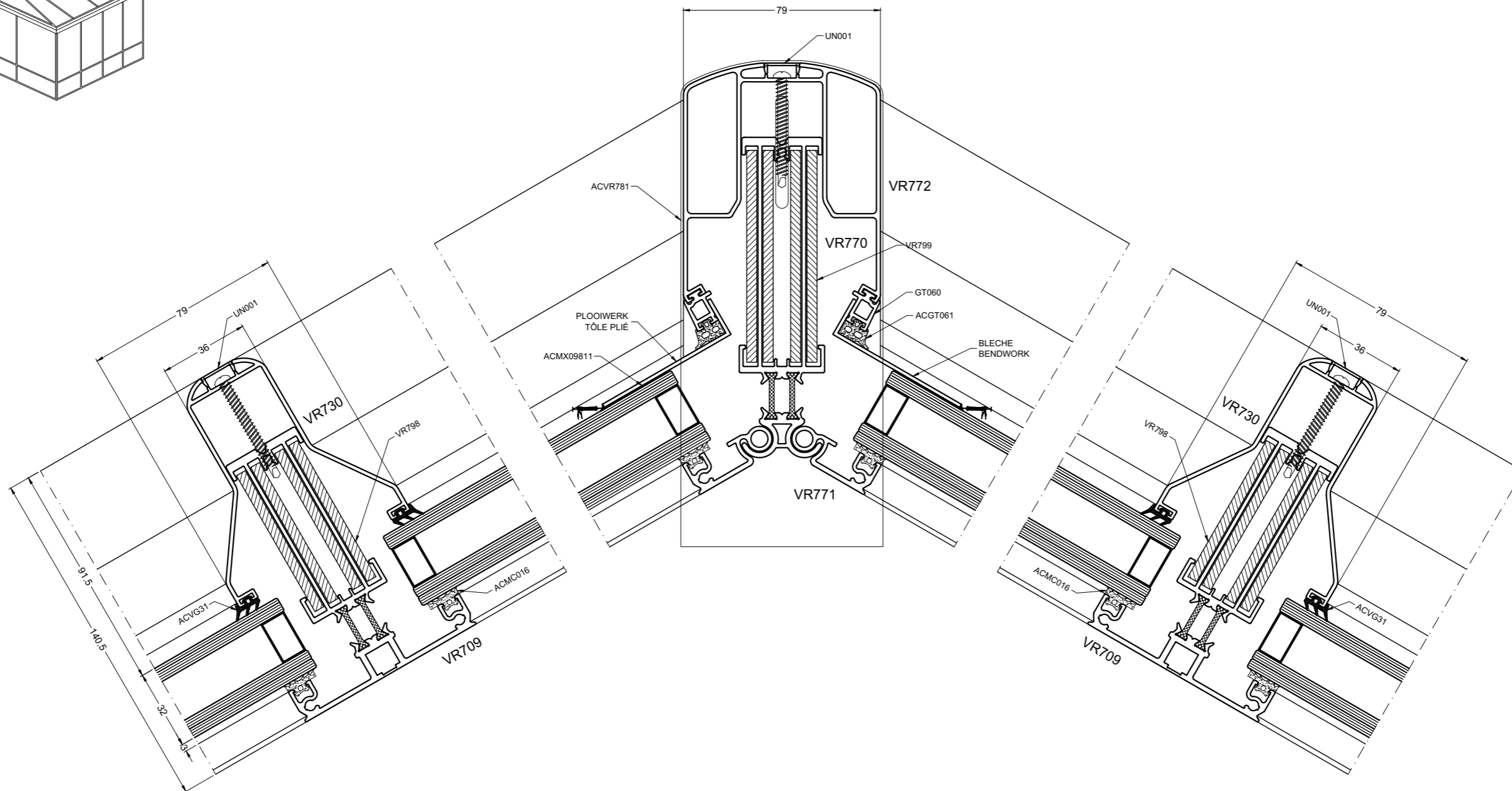
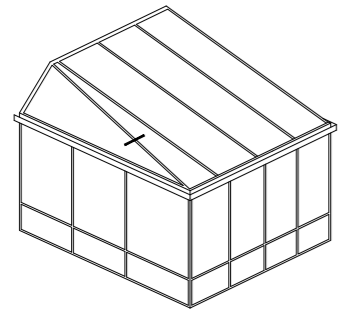


25/6/15



# VR700

5A



DOORSNEDETEKENINGEN - COUPES - SCHNITTE - SECTION DRAWINGS



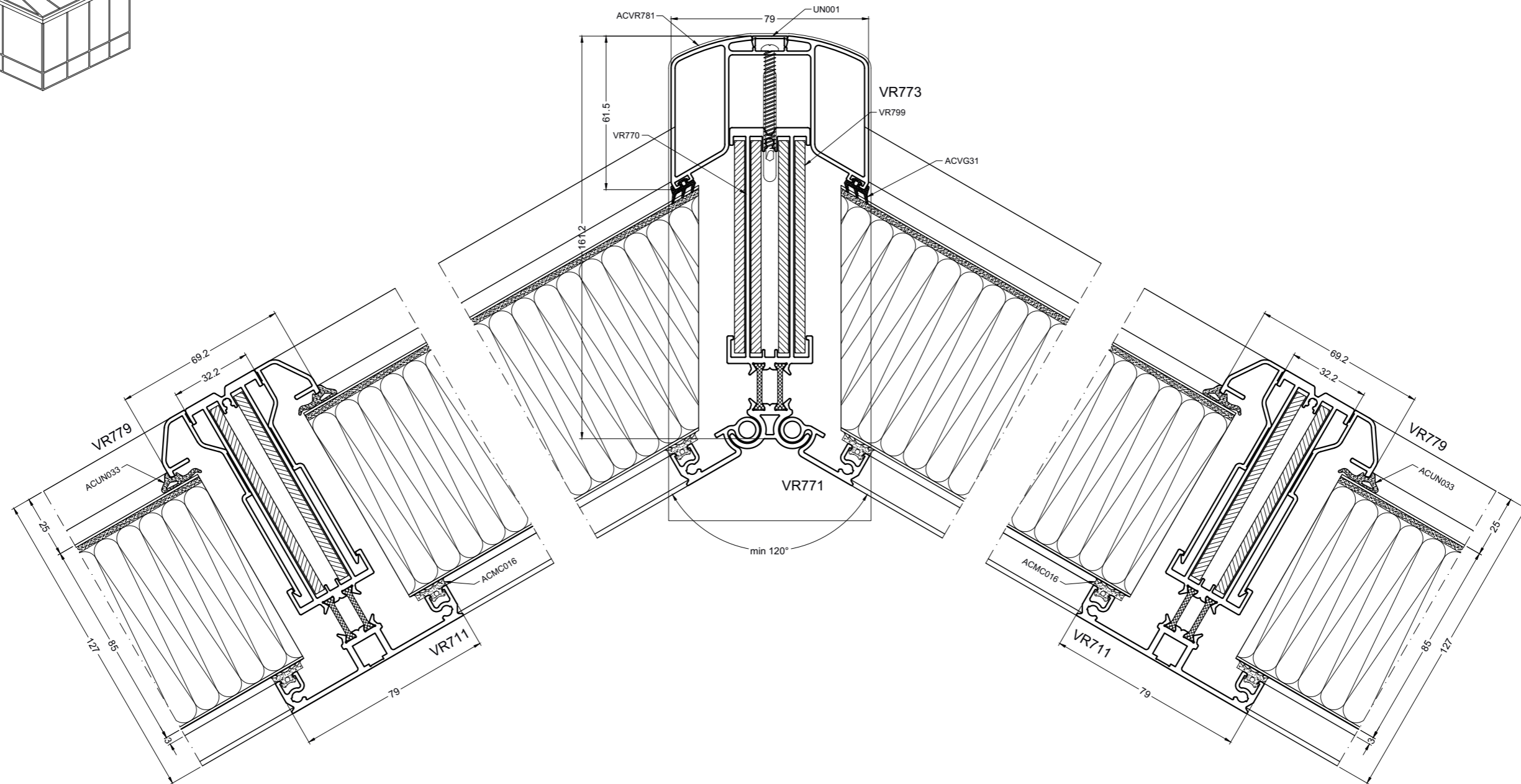
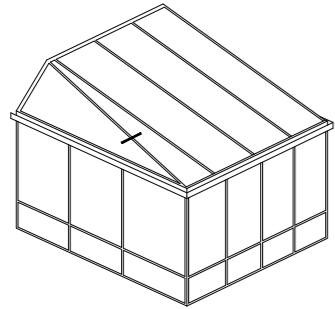
VR770\_001



25/6/15

# VR700

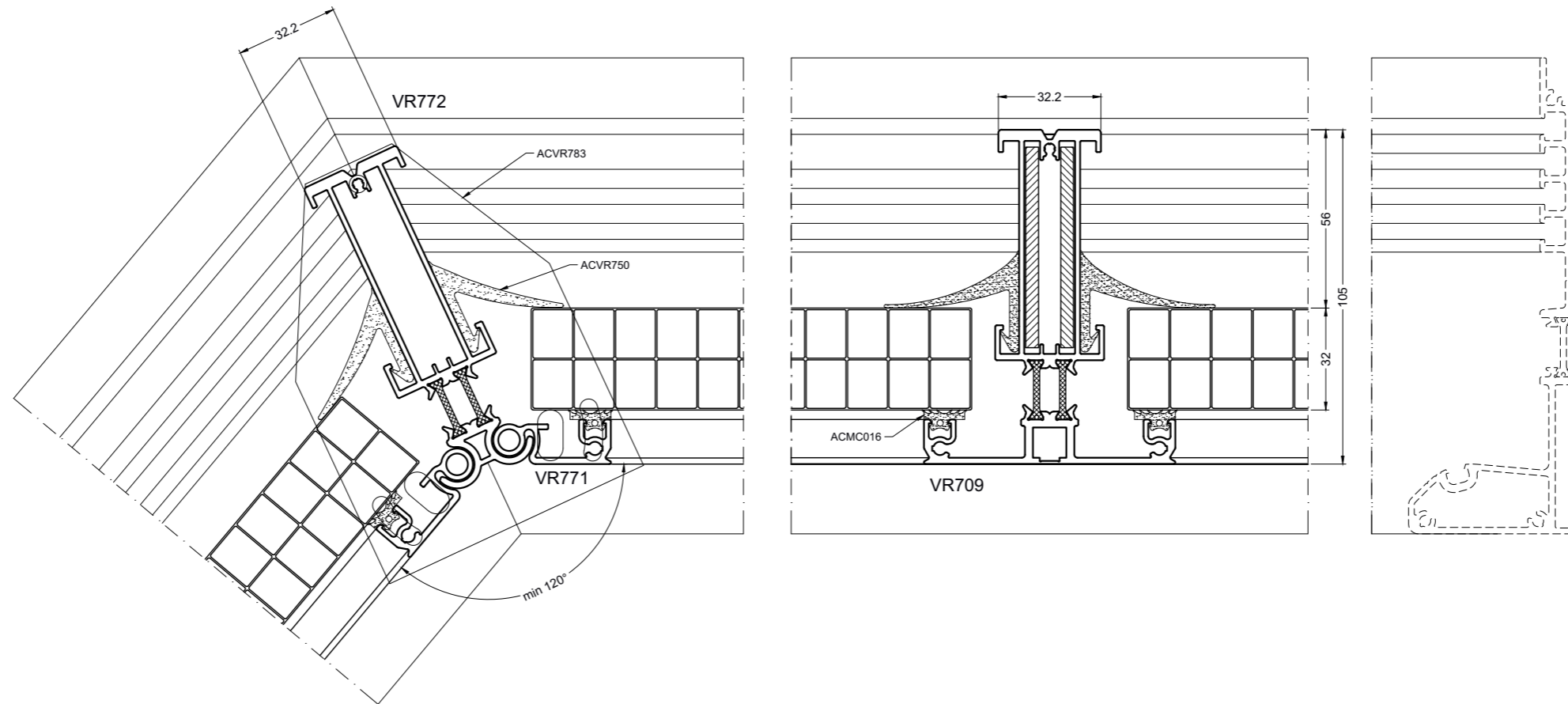
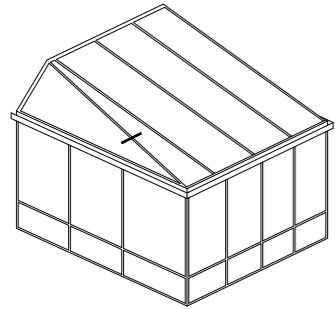
5B



VR770\_002

# VR700

5C



VR775\_001

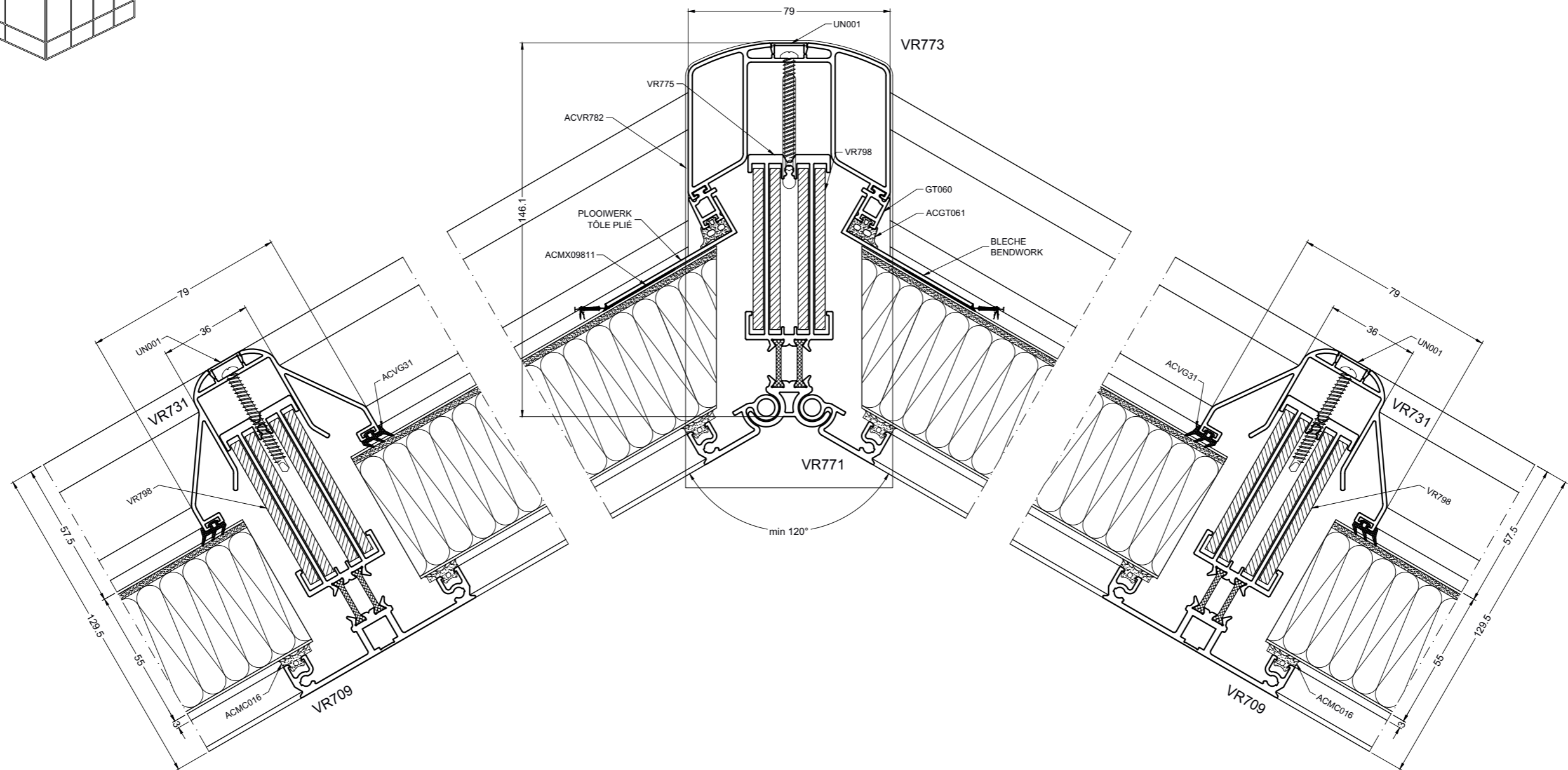
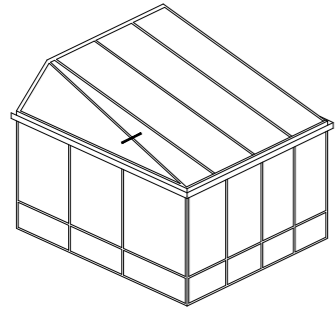
**aliplast**  
member of



25/6/15

# VR700

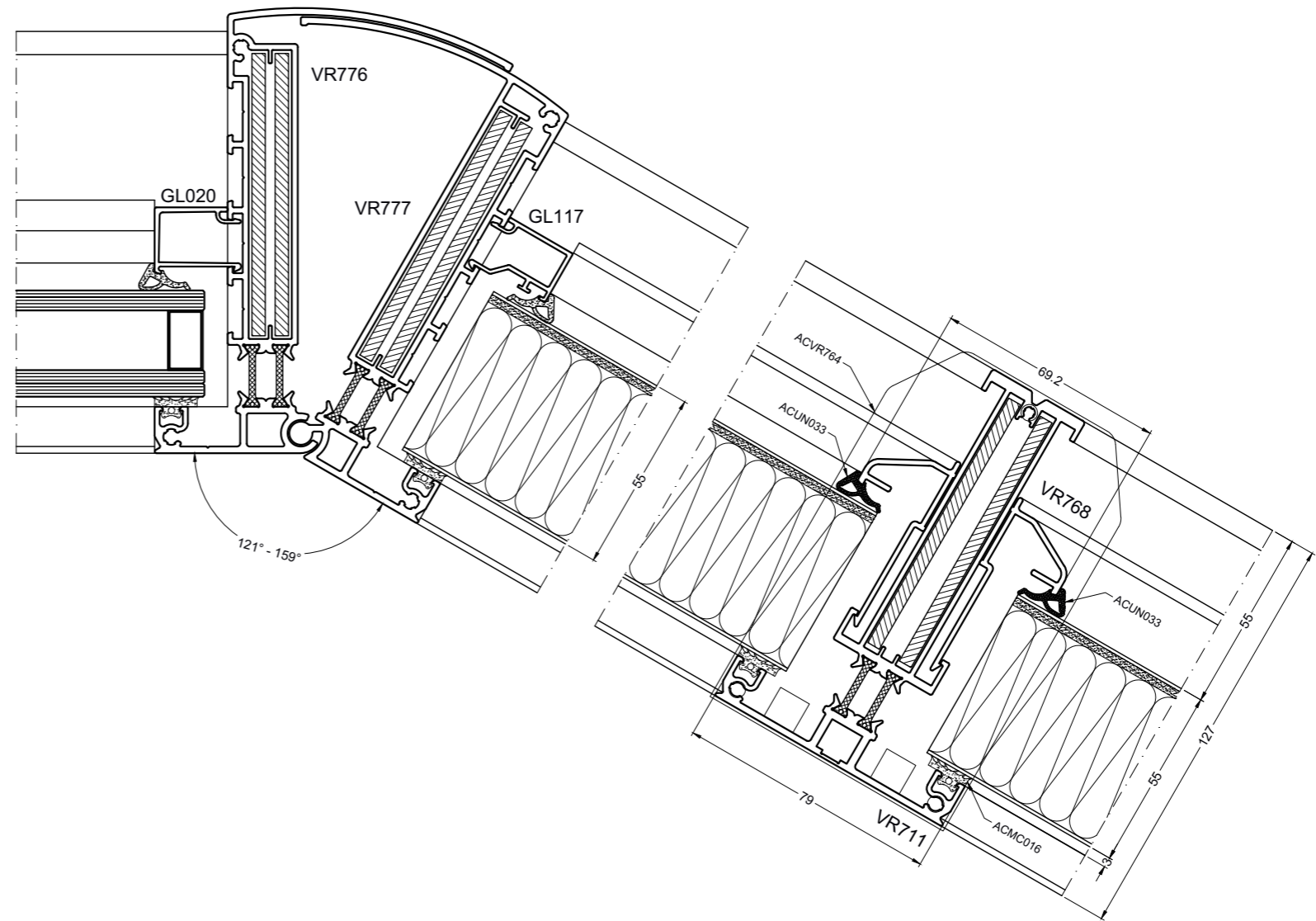
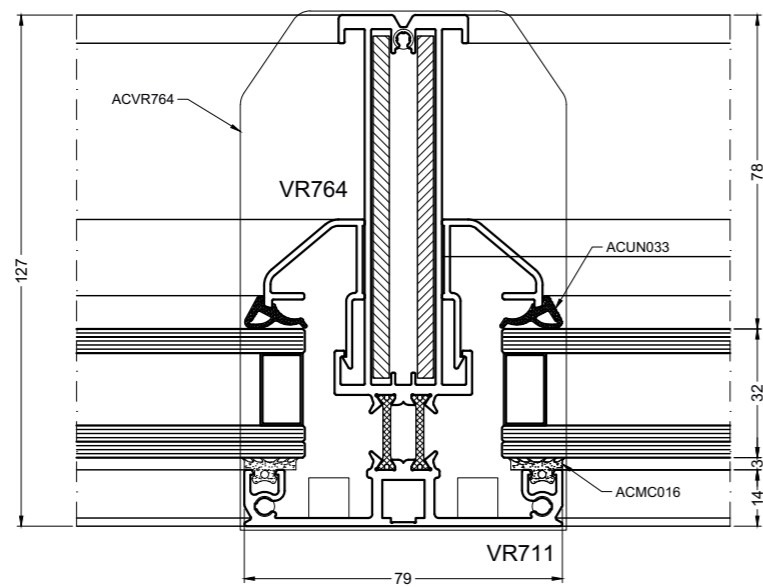
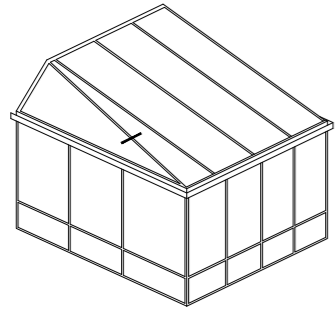
5D



VR775\_002

# VR700

5E



VR776\_VR777\_001

**aliplast**  
member of

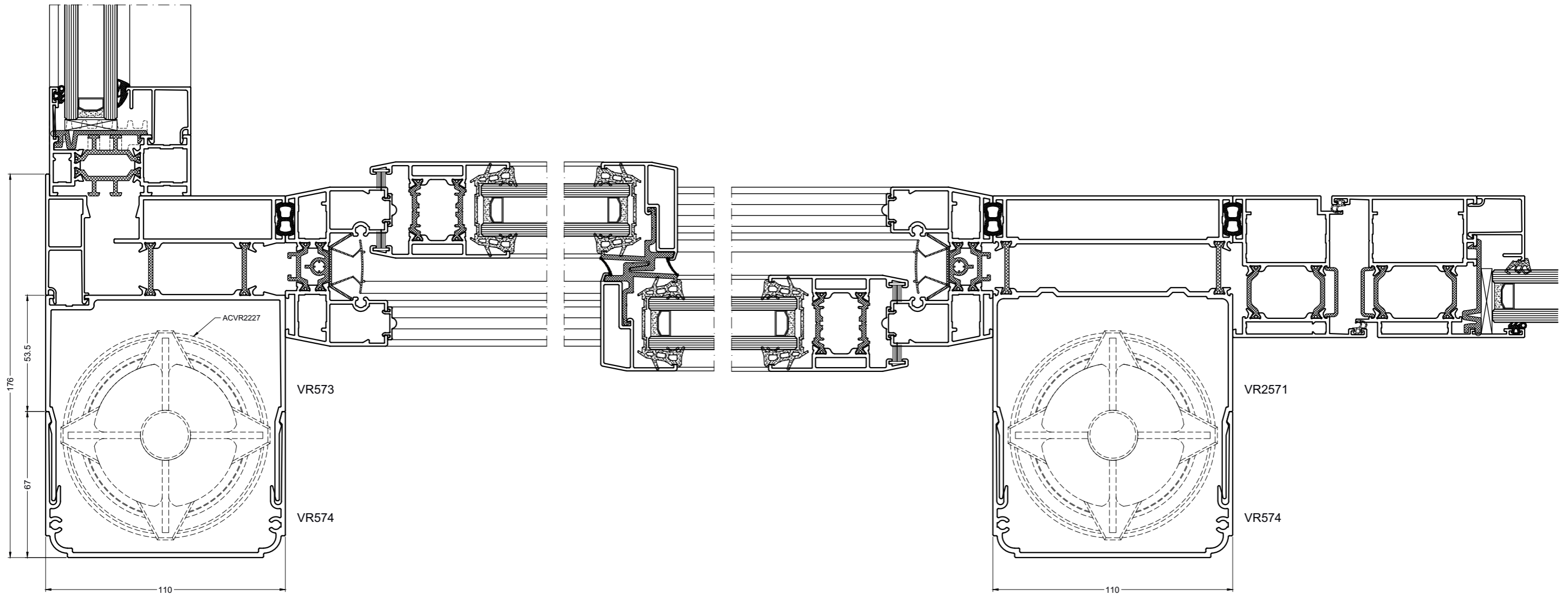
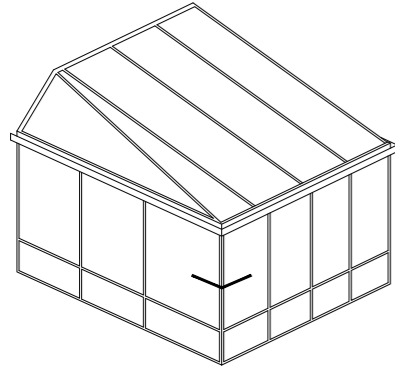


25/6/15

DOORSNEDETEKENINGEN - COUPES - SCHNITTE - SECTION DRAWINGS

# VR700

6A

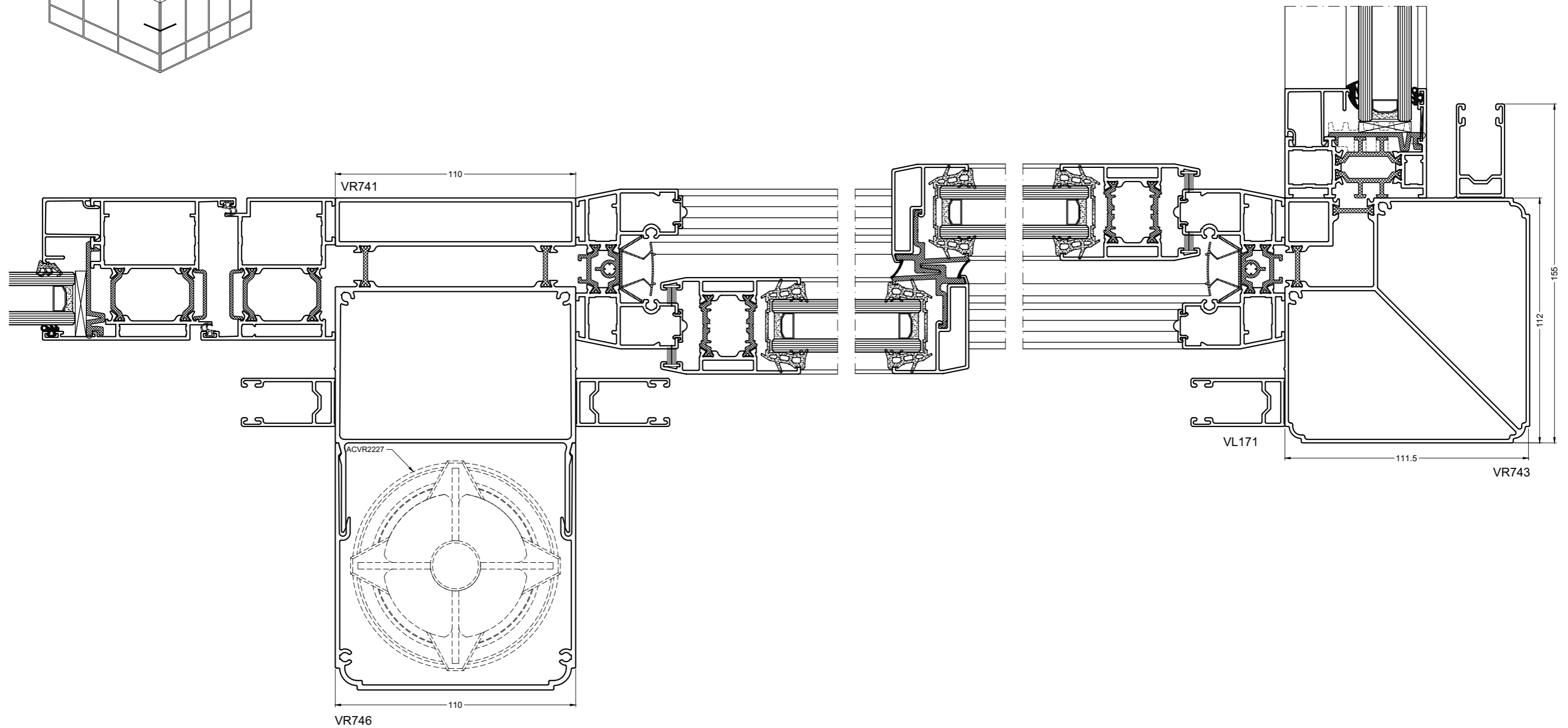
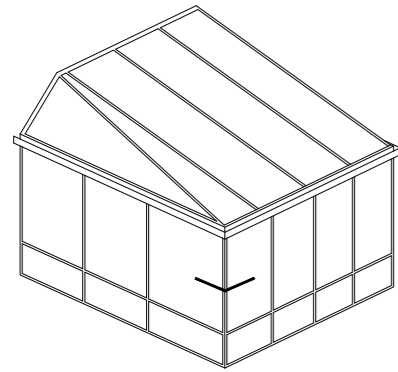


VR573-VR574



# VR700

6B



DOORSNEDETEKENINGEN - COUPES - SCHNITTE - SECTION DRAWINGS

VR743-VR746

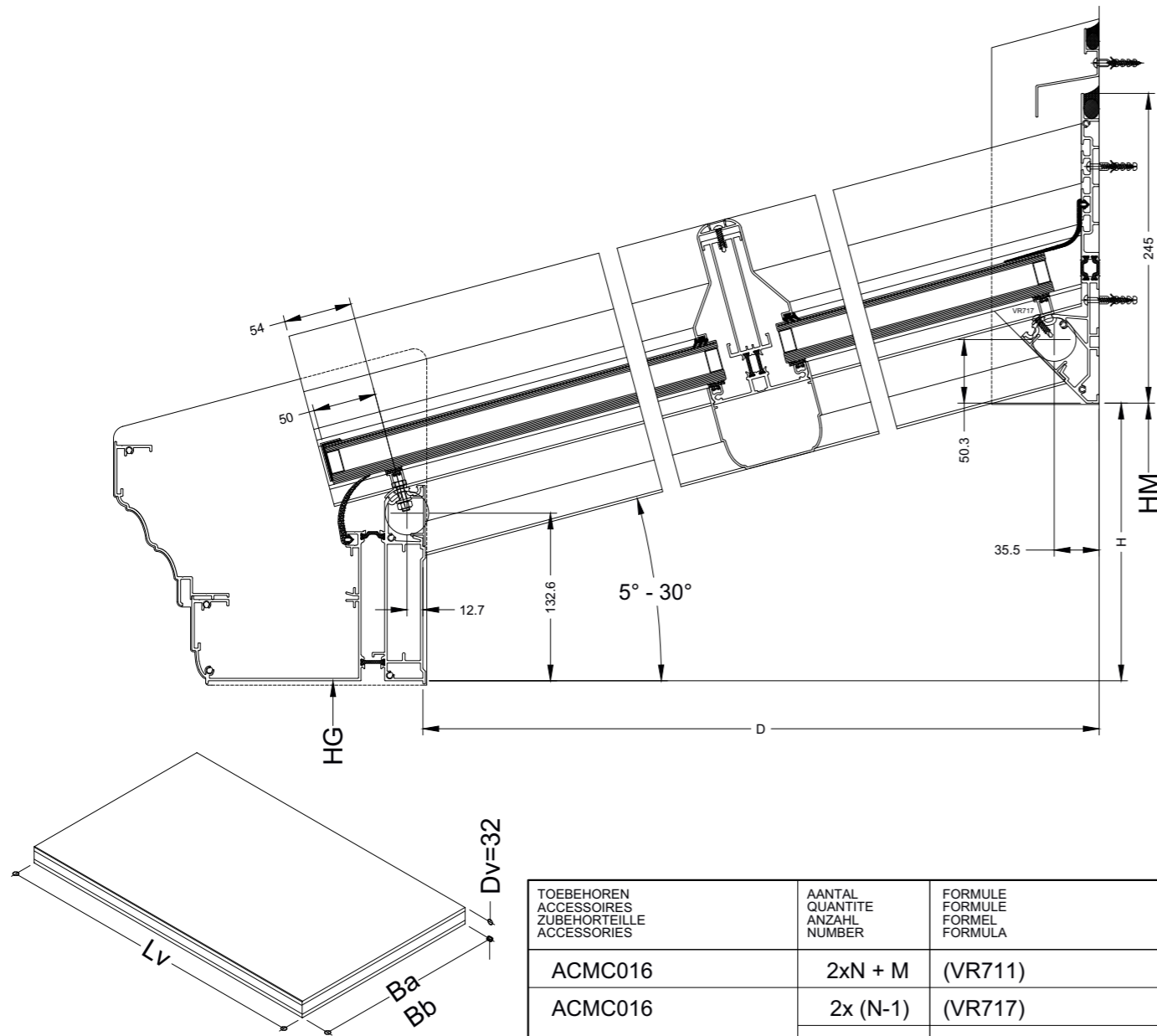


25/6/15



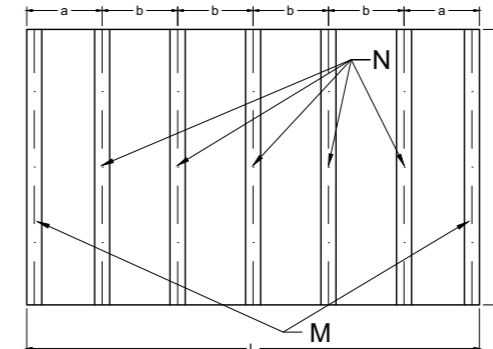
# VR700

DUBBEL GLAS 32mm  
 DOUBLE VITRAGE 32mm  
 DOPPEL VERGLASUNG 32mm  
 DOUBLE GLAZING 32mm



N = Aantal Dakliggers  
 Nombre de montants  
 Anzahl Balken  
 Number of Beams

M = Aantal Zijliggers  
 Montants de côté  
 Anzahl Seitenbalken  
 Number of Sidebeams



|   |
|---|
| L   |
| D   |
| HM  |
| HG  |
| H=HM-HG   |
| N   |
| M   |
| $\alpha = \text{ARCTAN} \left[ \frac{H-82.3}{D-22.8} \right]$ |

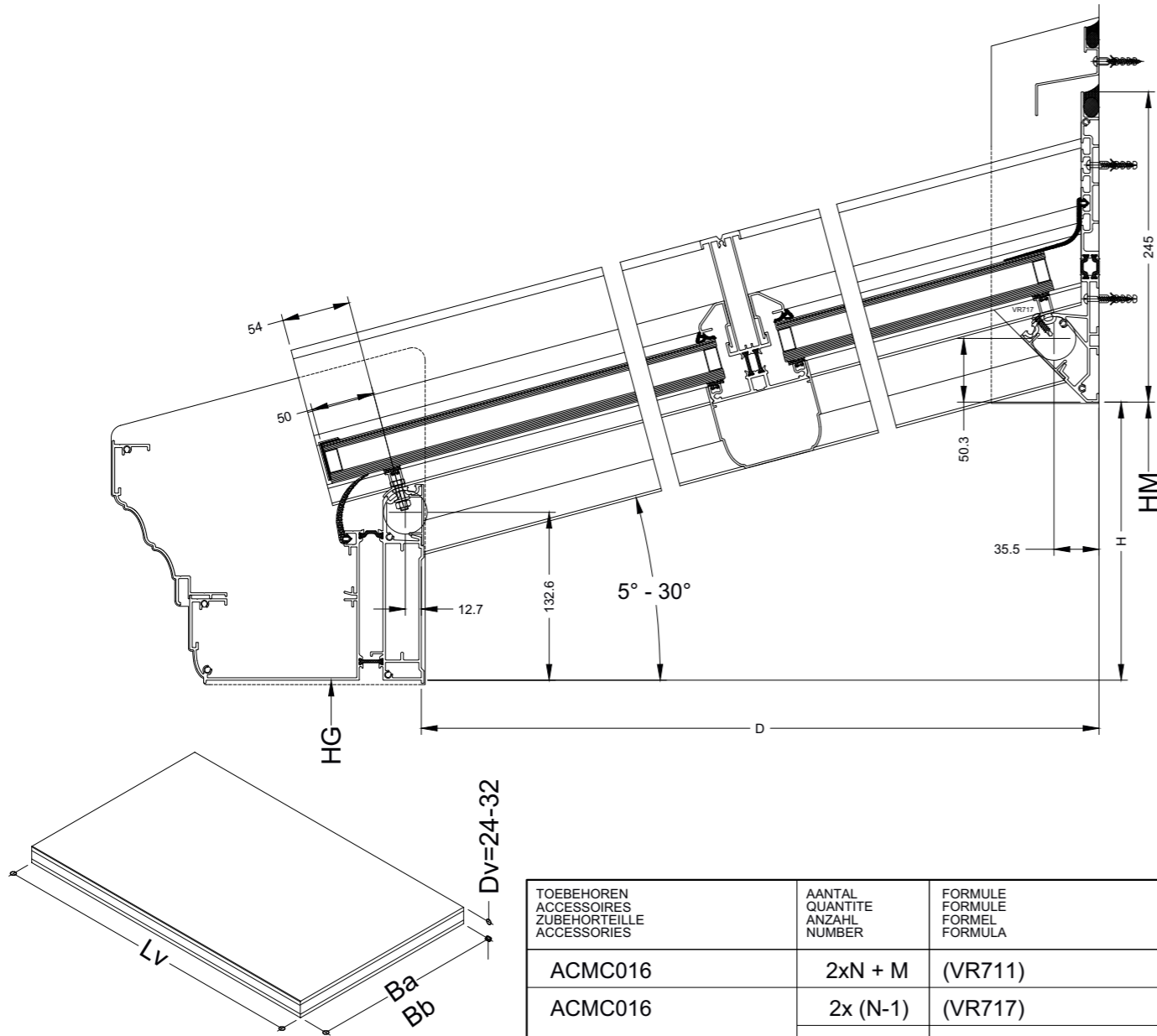
| TOEBEHOREN<br>ACCESSOIRES<br>ZUBEHÖRTEILE<br>ACCESSORIES | AANTAL<br>QUANTITE<br>ANZAHL<br>NUMBER | FORMULE<br>FORMULE<br>FORMEL<br>FORMULA |
|--|--|---|
| ACMC016  | 2xN + M                                | (VR711)                                 |
| ACMC016  | 2x (N-1)                               | (VR717)                                 |
|  | 2M                                     | (VR717)                                 |
| ACMS02   | 1                                      | (VR720)                                 |
| ACVR702  | 1                                      | (VR716)                                 |
| ACVG31   | 2xN + M                                | (VR730)                                 |
| ACVR190  | 2x (N+M)                               |   |
| ACVR730/ACVR732  | 2                                      |   |
| ACVR731  | 2                                      |   |
| ACVR761  | N                                      |   |
| ACVR771  | M                                      |   |

|    | AANTAL<br>QUANTITE<br>ANZAHL<br>NUMBER | FORMULE<br>FORMULE<br>FORMEL<br>FORMULA |
|----|--|---|
| Lv |  | $\frac{(D-22.8) + 75}{\text{COSa}}$     |
| Ba | 2                                      | a-72                                    |
| Bb | N-1                                    | b-49                                    |

| PROFIELEN<br>PROFILS<br>PROFILE<br>PROFILES | AFBEELDING<br>IMAGE<br>BILD<br>PICTURE | SNEDE<br>COUPE<br>SCHNITT<br>PROFILES | AANTAL<br>QUANTITE<br>ANZAHL<br>NUMBER | FORMULE<br>FORMULE<br>FORMEL<br>FORMULA   |
|---|--|---------------------------------------|--|---|
| VR720                                       |  |                                       | 1                                      | L   |
| VR723                                       |  |                                       | 1 (+1)                                 | L   |
| VR717                                       |  |                                       | 2(N-1)                                 | b-79  |
|   |  |                                       | 2M                                     | a-92  |
| VR716                                       |  |                                       | 1                                      | L   |
| VR729                                       |  |                                       | 1                                      | L   |
| VR711 + VR712                               |  |                                       | N + M                                  | $\frac{(D-1.4) + 147\text{TANa} + 54}{\text{COSa}}$   |
| VR709 + VR719                               |  |                                       | N + M                                  | $\frac{(D-1.4) + 124\text{TANa} + 54}{\text{COSa}}$   |
| VR730 + VR735<br>(VR711 + VR712)            |  |                                       | N + M                                  | $\frac{(D-1.4) + 157\text{TANa} + 54}{\text{COSa}}$   |
| VR730 + VR735<br>(VR709 + VR719)            |  |                                       | N + M                                  | $\frac{(D-1.4) + 134\text{TANa} + 54}{\text{COSa}}$   |
| VR710                                       |  |                                       | N                                      | $\frac{D-37.5 + 36\text{TANa} - 17.6 + 36\text{TAN}(45-a)}{\text{COSa} \cdot \text{COS}(45-a)}$ |
| VR714                                       |  |                                       | 2(N-1)                                 | b-40  |
|   |  |                                       | 2M                                     | a-70  |
| VR042                                       |  |                                       | N-1                                    | b-49  |
|   |  |                                       | M                                      | a-72  |

# VR700

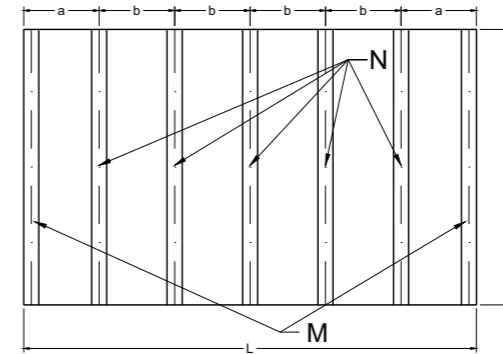
DUBBEL GLAS 24-32mm MET GLASLATTEN  
 DOUBLE VITRAGE 24-32mm AVEC PARCLOSES  
 DOPPEL VERGLASUNG 24-32mm MIT GLASLEISTE  
 DOUBLE GLAZING 24-32mm WITH GLAZING BEADS



|    | AANTAL<br>QUANTITE<br>ANZAHL<br>NUMBER | FORMULE<br>FORMULE<br>FORMEL<br>FORMULA |
|----|--|---|
| Lv |  | $\frac{(D-22.8) + 75}{\text{COSa}}$     |
| Ba | 2                                      | a-72                                    |
| Bb | N-1                                    | b-49                                    |

| TOEBEHOREN<br>ACCESSOIRES<br>ZUBEHÖRTEILE<br>ACCESSORIES | AANTAL<br>QUANTITE<br>ANZAHL<br>NUMBER | FORMULE<br>FORMULE<br>FORMEL<br>FORMULA |
|--|--|---|
| ACMC016  | 2xN + M                                | (VR711)                                 |
| ACMC016  | 2x (N-1)                               | (VR717)                                 |
|  | 2M                                     | (VR717)                                 |
| ACMS02   | 1                                      | (VR720)                                 |
| ACVR702  | 1                                      | (VR716)                                 |
| ACUN033  | 2xN + M                                | (VR730)                                 |
| ACVR190  | 2x (N+M)                               |   |
| ACVR730/ACVR732  | 2                                      |   |
| ACVR731  | 2                                      |   |
| ACVR764  | N                                      |   |
| ACVR774  | M                                      |   |

N = Aantal Dakliggers  
 Nombre de montants  
 Anzahl Balken  
 Number of Beams  
 M = Aantal Zijliggers  
 Montants de côté  
 Anzahl Seitenbalken  
 Number of Sidebeams

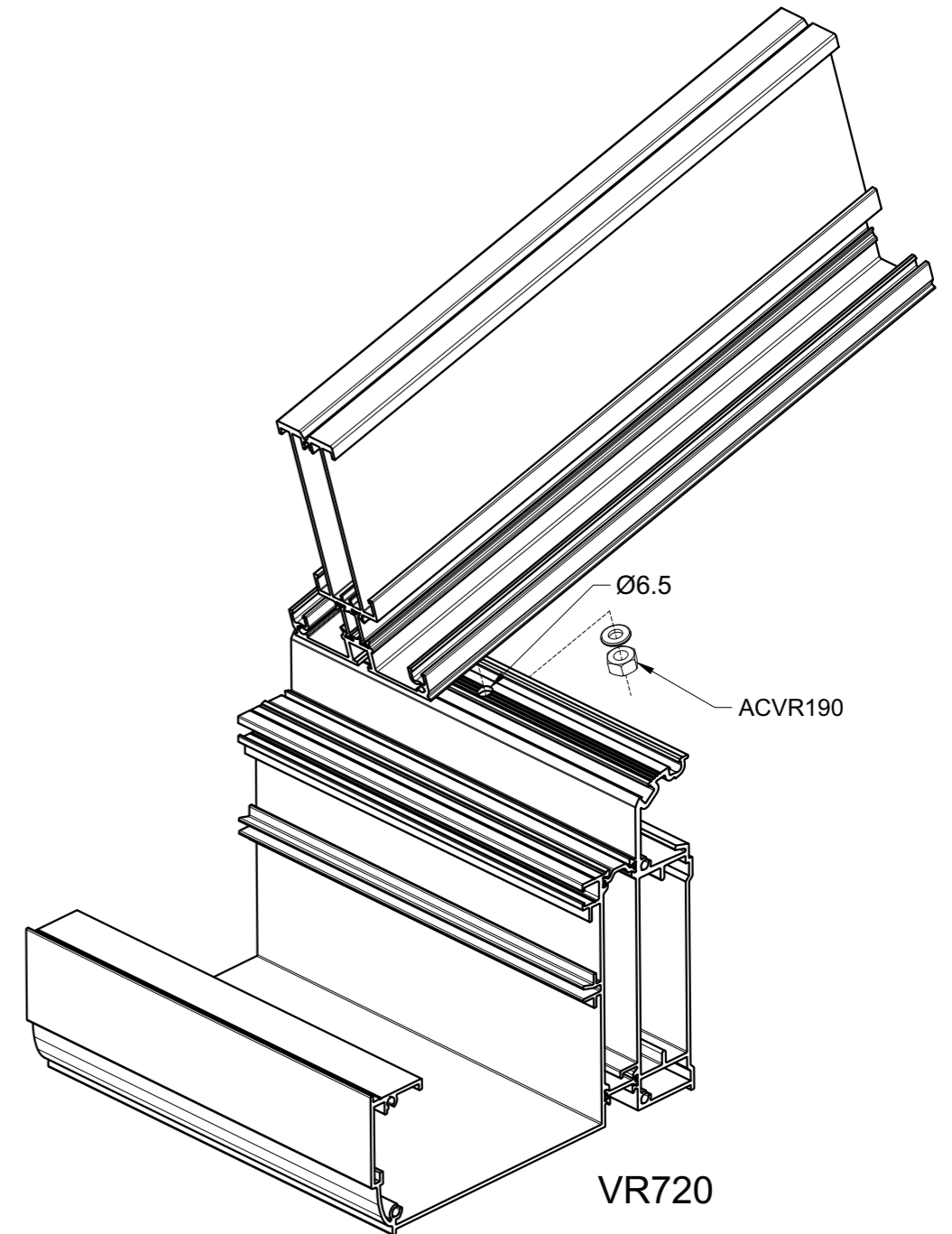
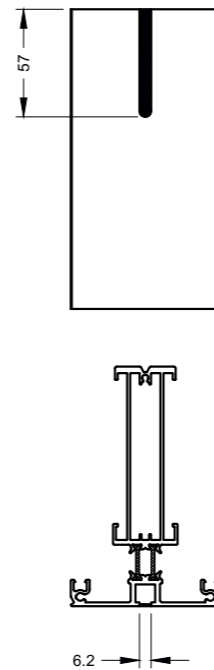
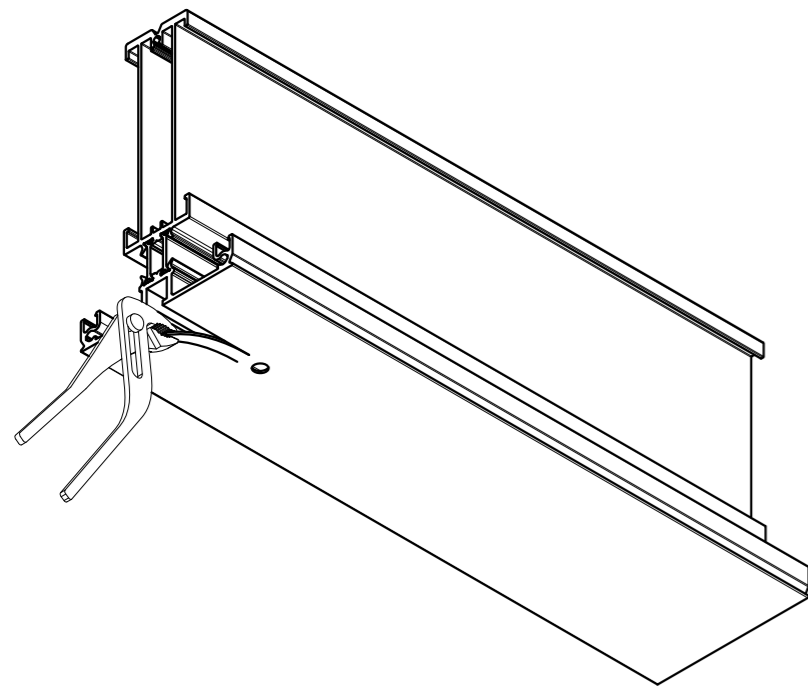
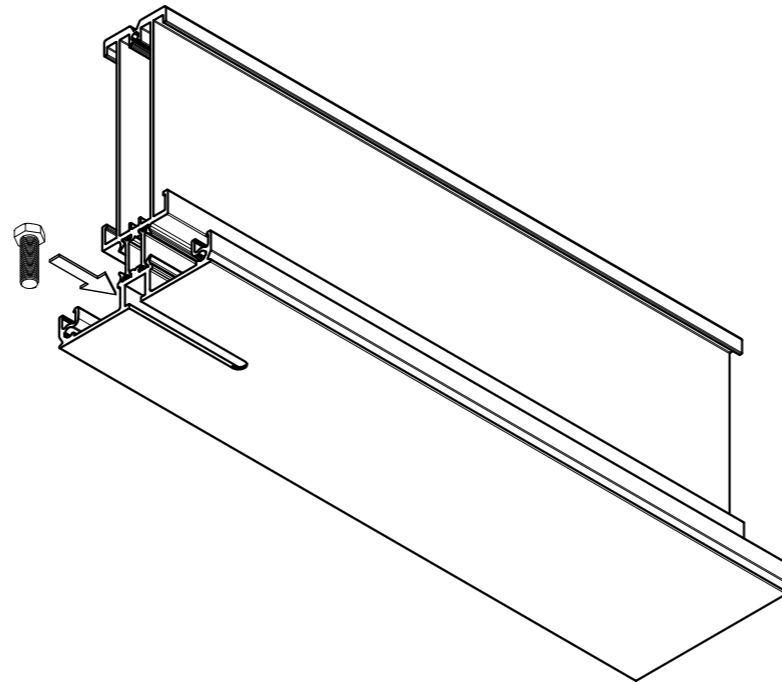
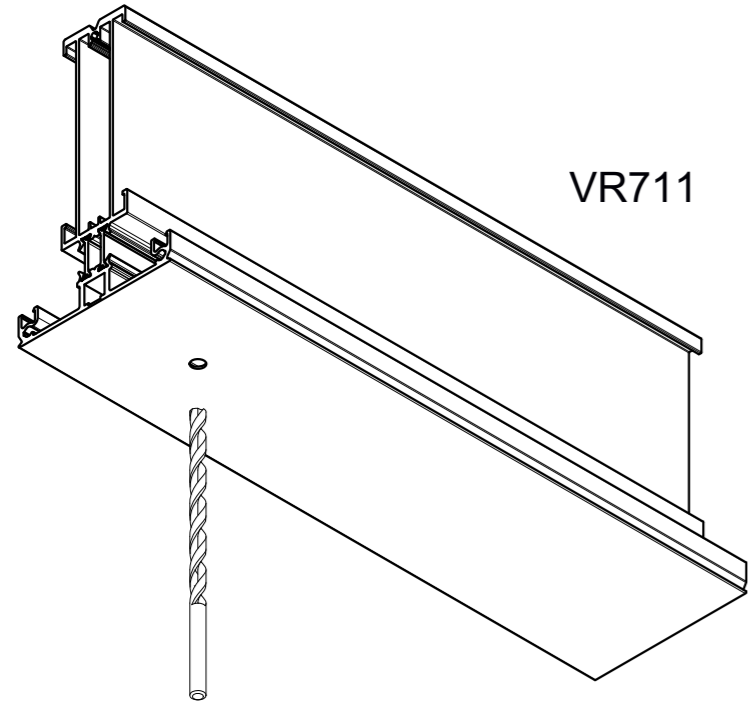


|   |
|---|
| L   |
| D   |
| HM  |
| HG  |
| H=HM-HG   |
| N   |
| M   |
| $\alpha = \text{ARCTAN} \left[ \frac{H-82.3}{D-22.8} \right]$ |

| PROFIELEN<br>PROFILS<br>PROFILE<br>PROFILES | AFBEELDING<br>IMAGE<br>BILD<br>PICTURE | SNEDE<br>COUPE<br>SCHNITT<br>PROFILES | AANTAL<br>QUANTITE<br>ANZAHL<br>NUMBER | FORMULE<br>FORMULE<br>FORMEL<br>FORMULA   |
|---|--|---------------------------------------|--|---|
| VR720                                       |  |                                       | 1                                      | L   |
| VR723                                       |  |                                       | 1 (+1)                                 | L   |
| VR717                                       |  |                                       | 2(N-1)                                 | b-79  |
|   |  |                                       | 2M                                     | a-92  |
| VR716                                       |  |                                       | 1                                      | L   |
| VR729                                       |  |                                       | 1                                      | L   |
| VR711 + VR712                               |  |                                       | N+M                                    | $\frac{(D-1.4) + 147\text{TANa} + 54}{\text{COSa}}$   |
| VR709 + VR719                               |  |                                       | N+M                                    | $\frac{(D-1.4) + 124\text{TANa} + 54}{\text{COSa}}$   |
| VR760                                       |  |                                       | 2N + M                                 | $\frac{(D-1.4) + 80.7\text{TANa} + 54}{\text{COSa}}$  |
| VR762                                       |  |                                       |  | $\frac{(D-1.4) + 86.7\text{TANa} + 54}{\text{COSa}}$  |
| VR764                                       |  |                                       |  | $\frac{(D-1.4) + 95.7\text{TANa} + 54}{\text{COSa}}$  |
| VR710                                       |  |                                       | N                                      | $\frac{D-37.5 + 36\text{TANa} - 17.6 + 36\text{TAN}(45-a)}{\text{COSa} \quad \text{COS}(45-a)}$ |
| VR714                                       |  |                                       | 2(N-1)                                 | b-40  |
|   |  |                                       | 2M                                     | a-70  |
| VR042                                       |  |                                       | N-1                                    | b-49  |
|   |  |                                       | M                                      | a-107   |

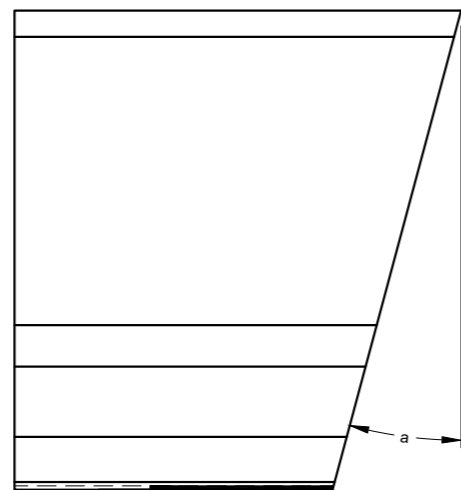
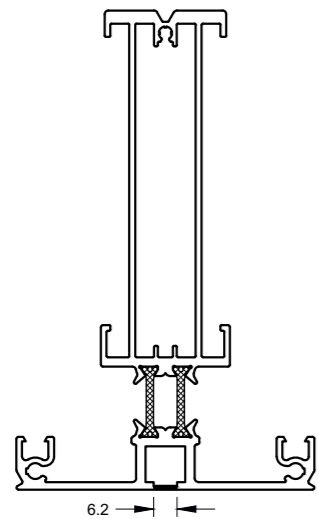
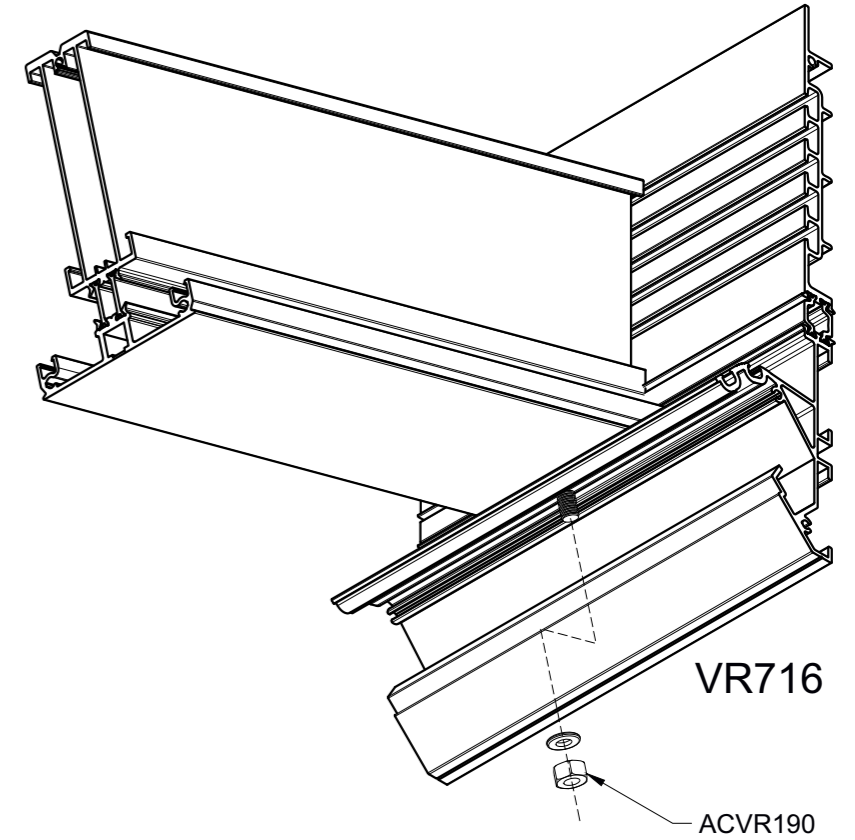
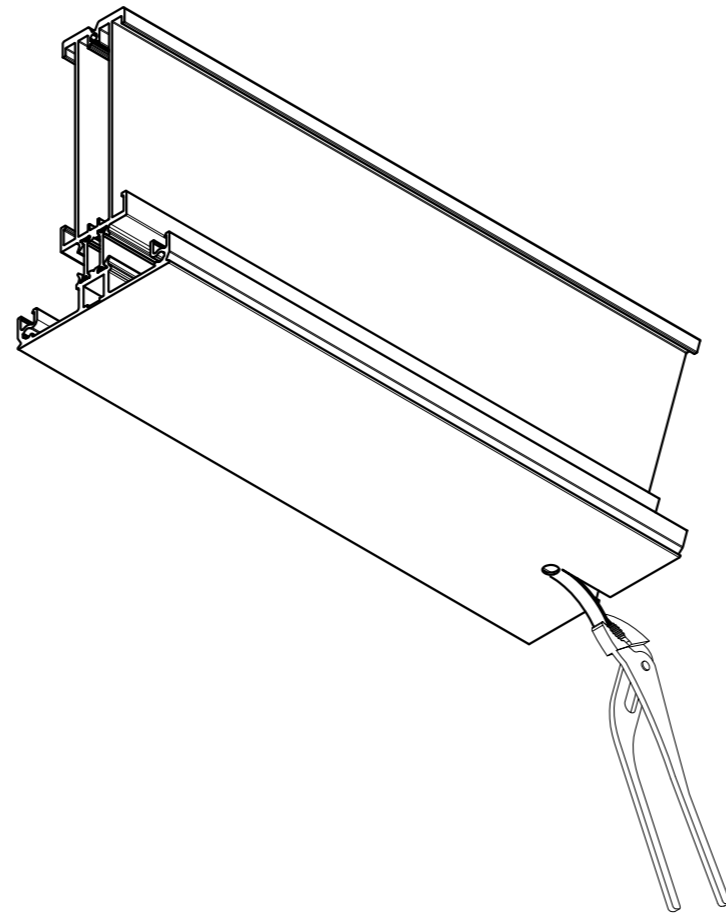
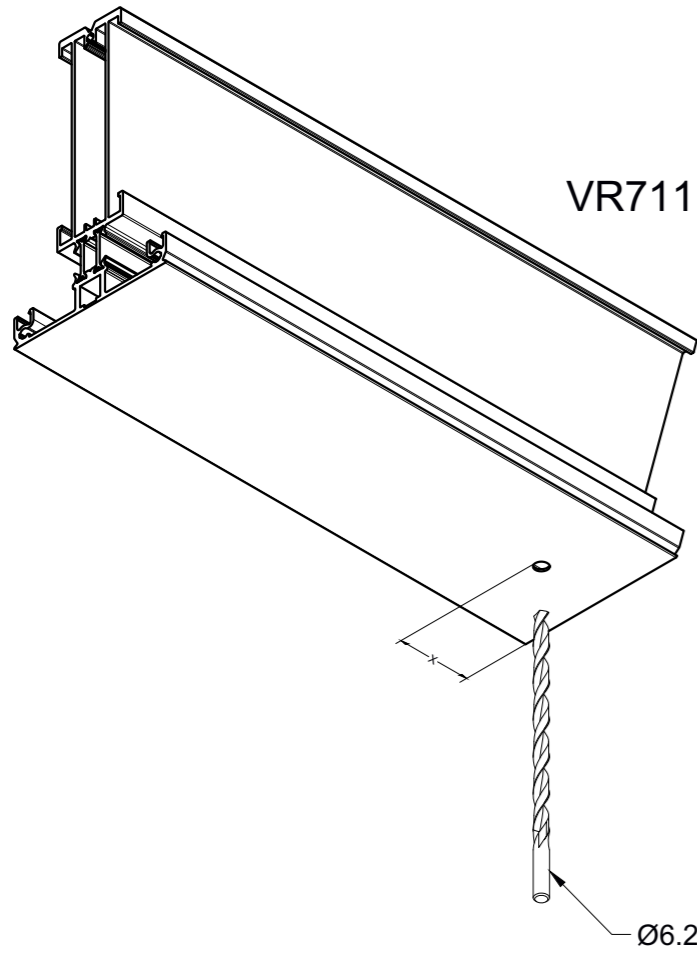
# VR700

MONTAGE LIGGER  
MONTAGE CHEVRON  
MONTAGE TRAGER  
MONTAGE RAFTER



# VR700

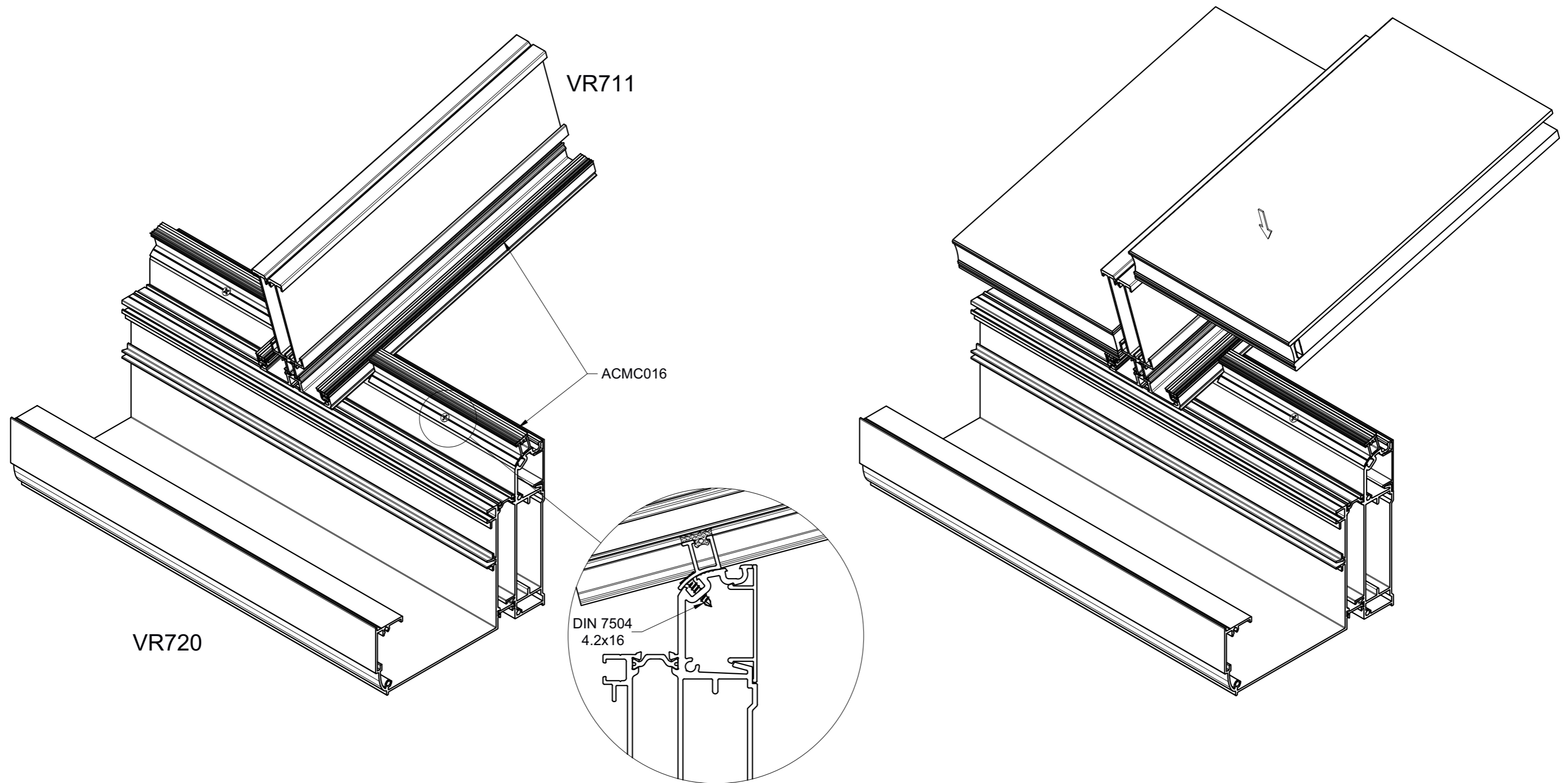
MONTAGE LIGGER  
 MONTAGE CHEVRON  
 MONTAGE TRAGER  
 MONTAGE RAFTER



| a   | X  |
|-----|----|
| 5°  | 26 |
| 10° | 29 |
| 15° | 31 |
| 20° | 33 |
| 25° | 36 |
| 30° | 40 |

# VR700

MONTAGE VR717  
MONTAGE VR717  
MONTAGE VR717  
MONTAGE VR717



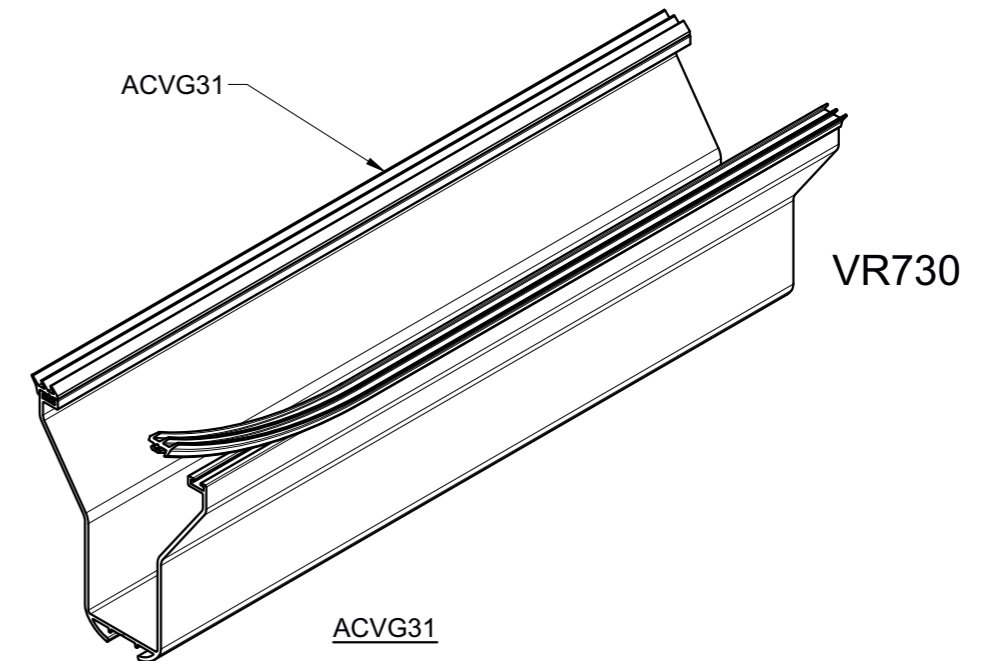
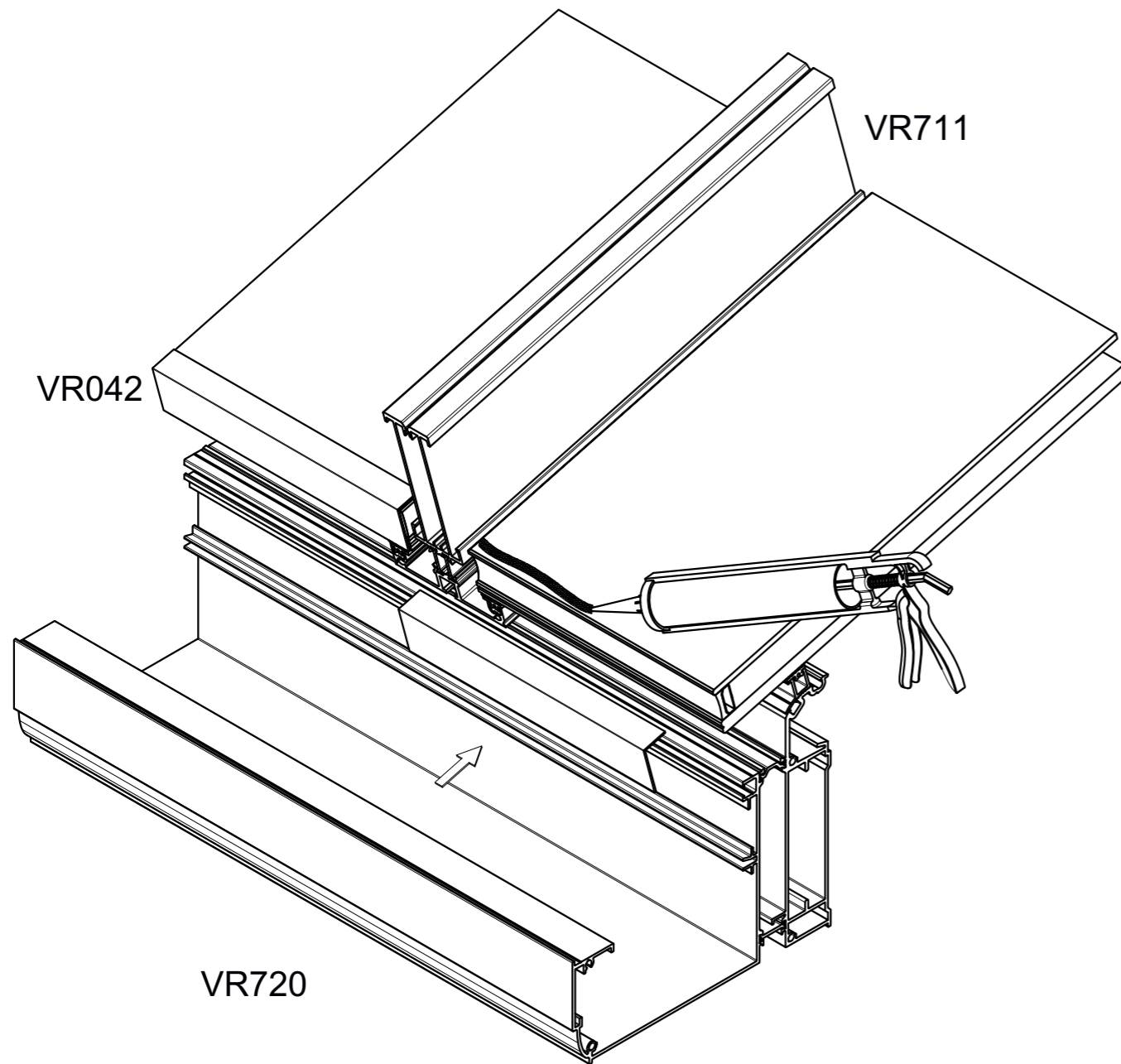
VR720-VR711-VR717

**aliplast**  
member of  
**CORIALIS**

25/6/15

# VR700

MONTAGE GLAS EN RUBBERS VOOR KAP  
MONTAGE VERRE ET JOINTS POUR CAPOT  
MONTAGE VERGLAZUNG UND DICHTUNGSGUMMI FÜR ABDECKPROFIL  
MONTAGE GLASS AND GASKET FOR COVER PROFILE



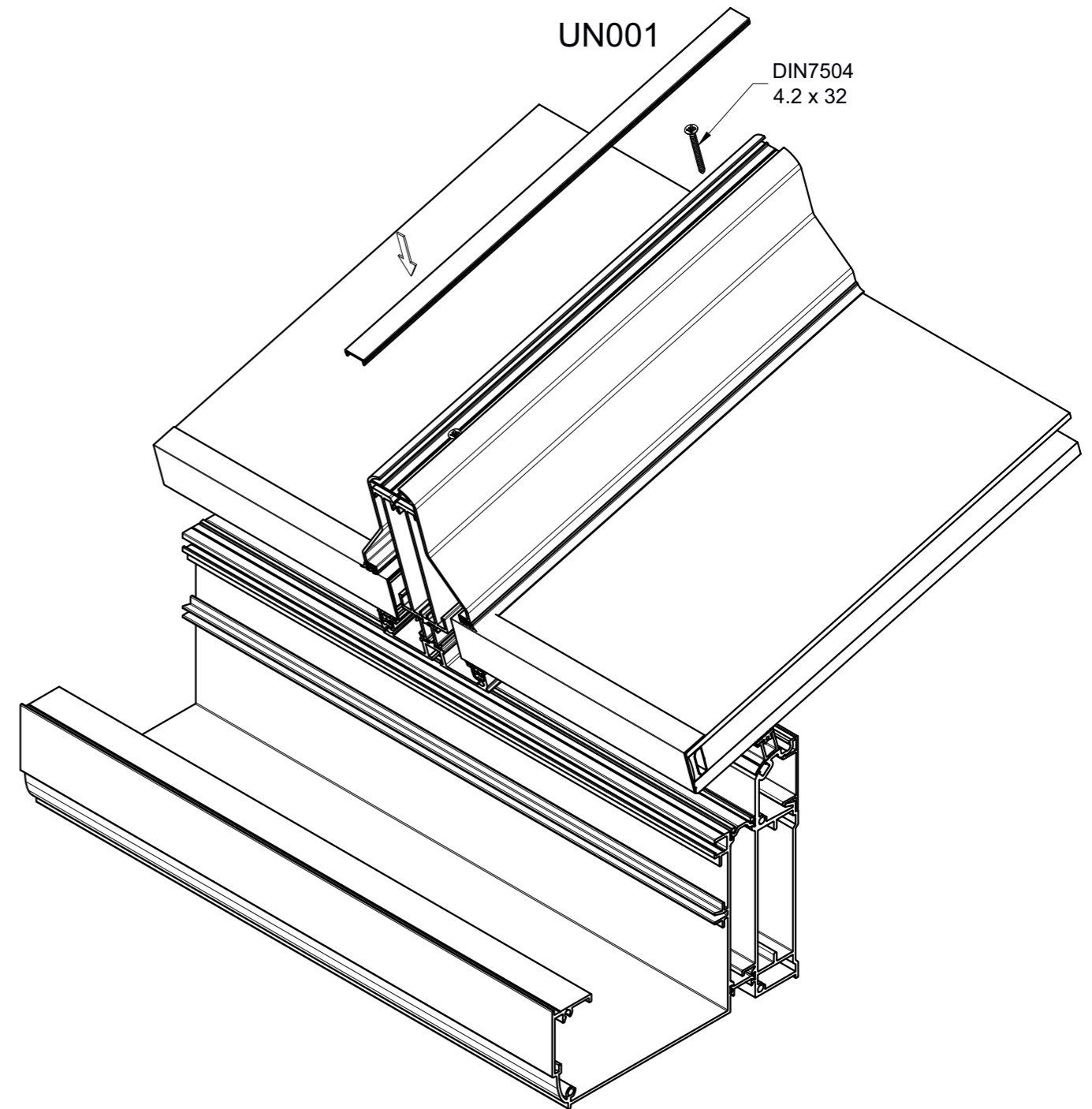
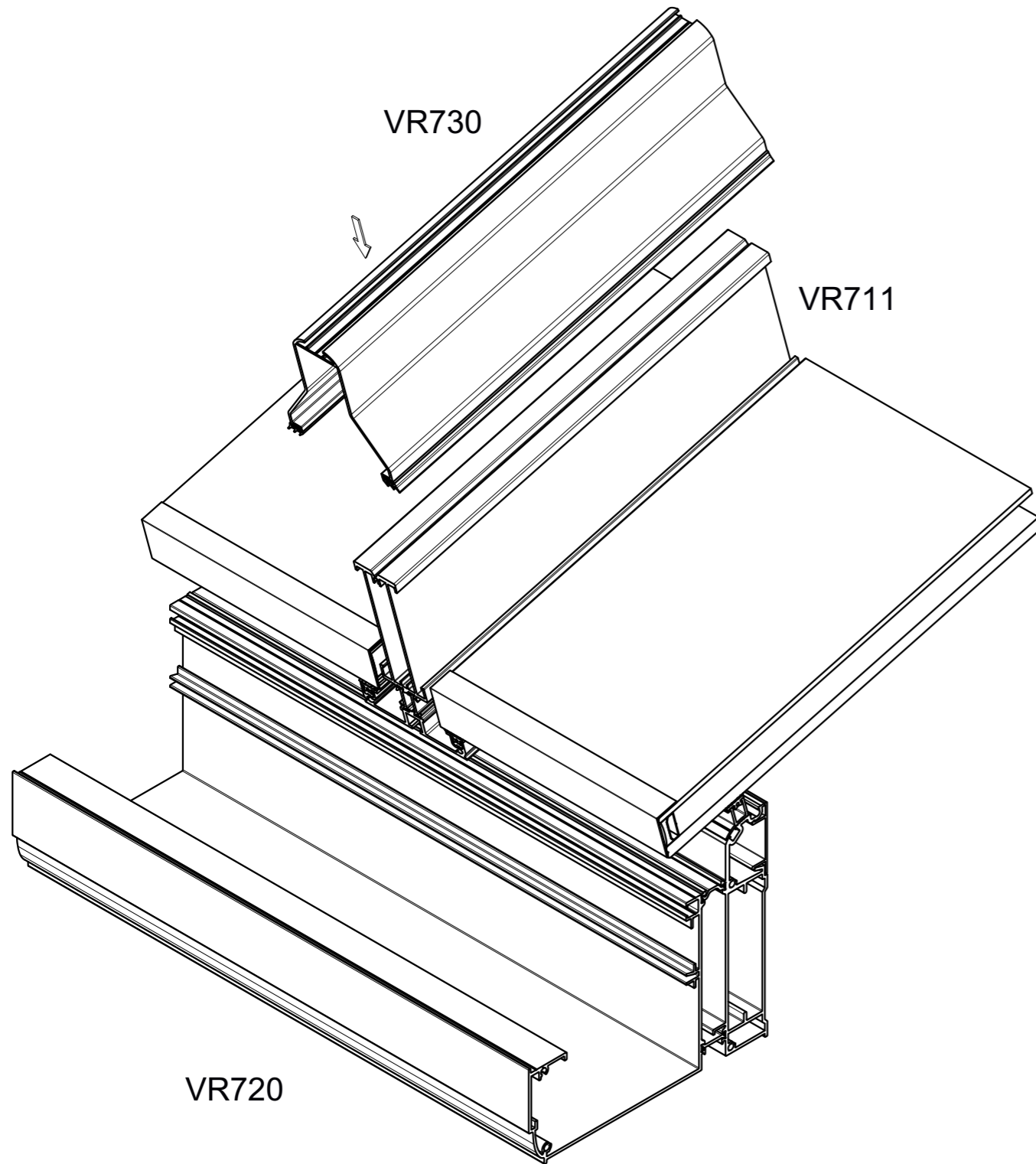
ACVG31

- KAN OP VOORHAND GEMONTEERD WORDEN
- PEUT MONTER EN AVANCE
- KÖNNEN IM VORAUS MONTIERT WERDEN
- CAN MOUNTED IN ADVANCE



# VR700

MONTAGE KAP  
MONTAGE CAPOT  
MONTAGE ABDECKPROFIL  
MONTAGE COVERPROFILE



VR720-VR711-VR717\_3

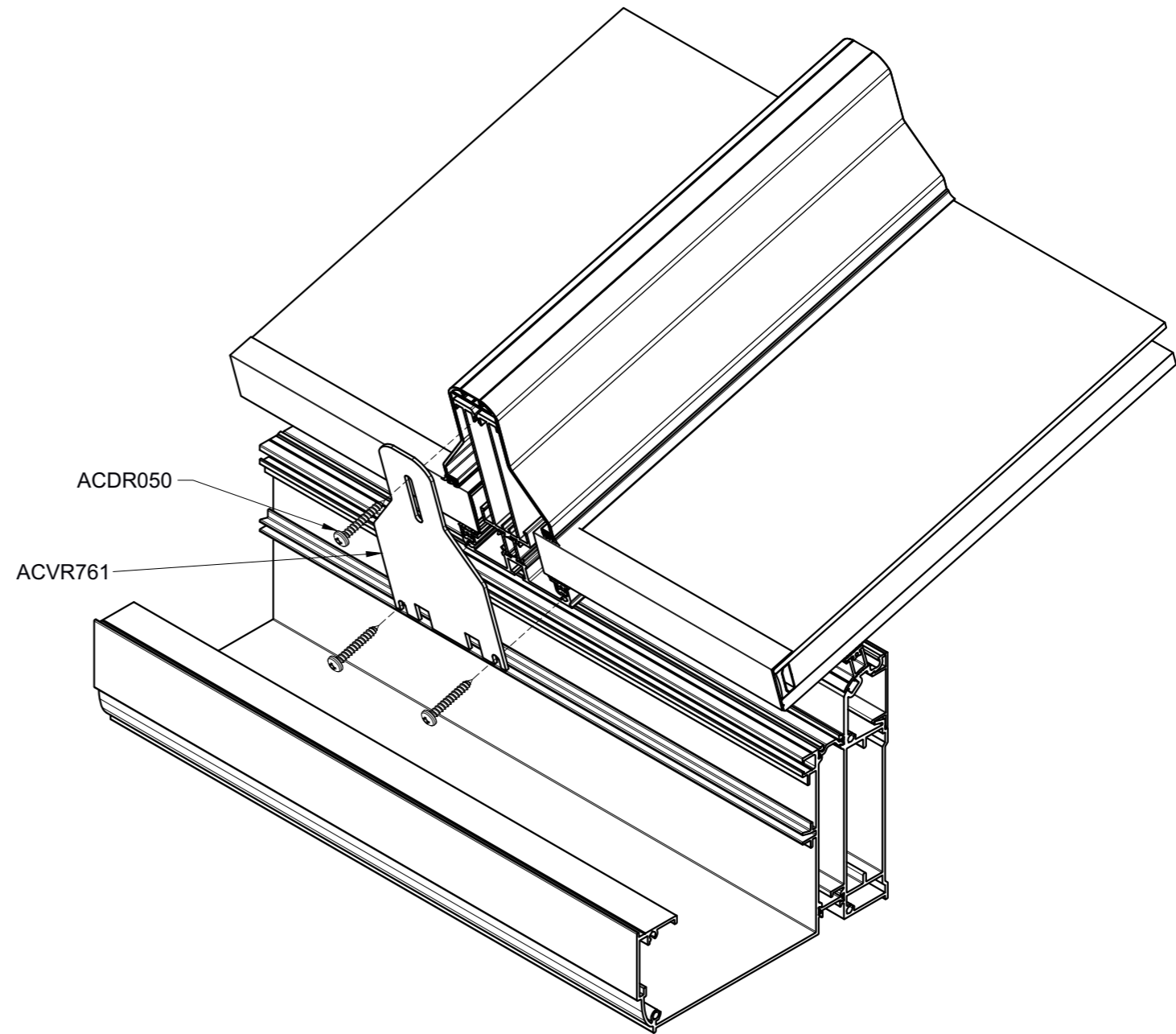
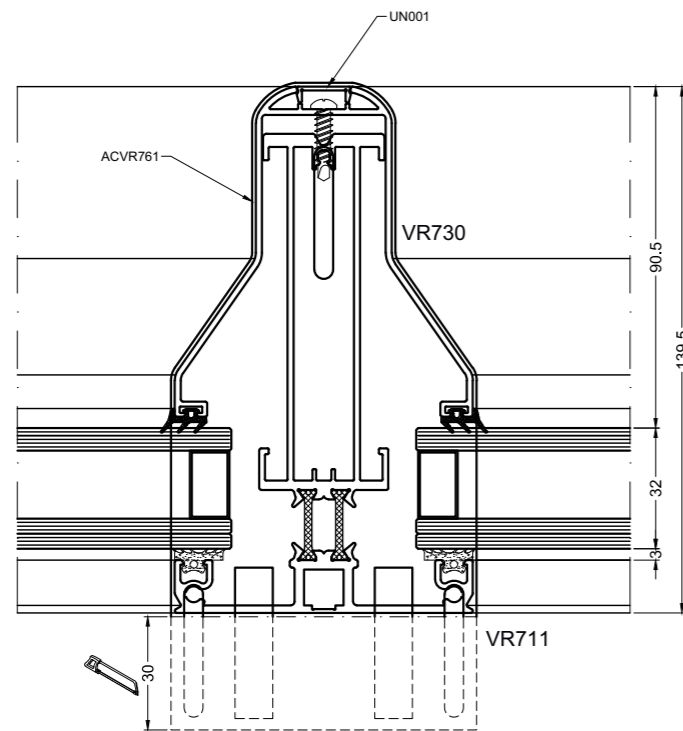
**aliplast**  
member of



25/6/15

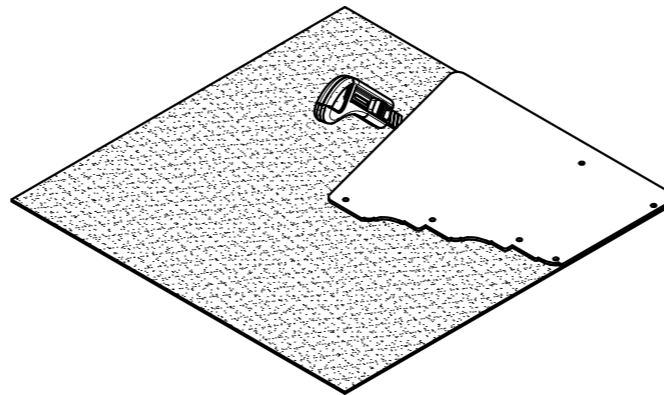
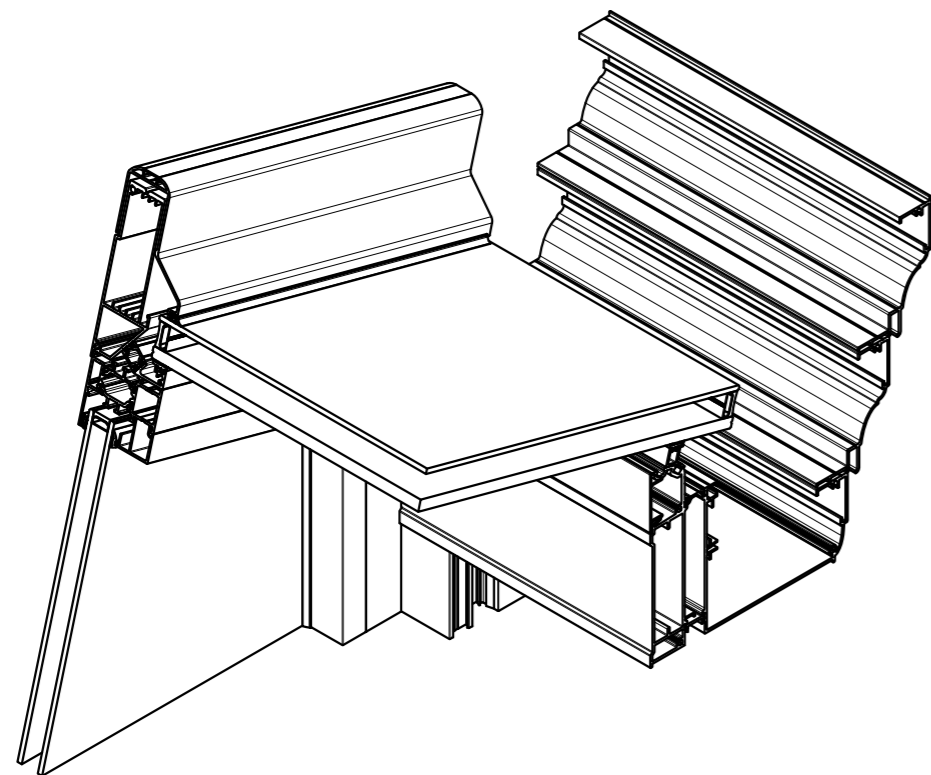
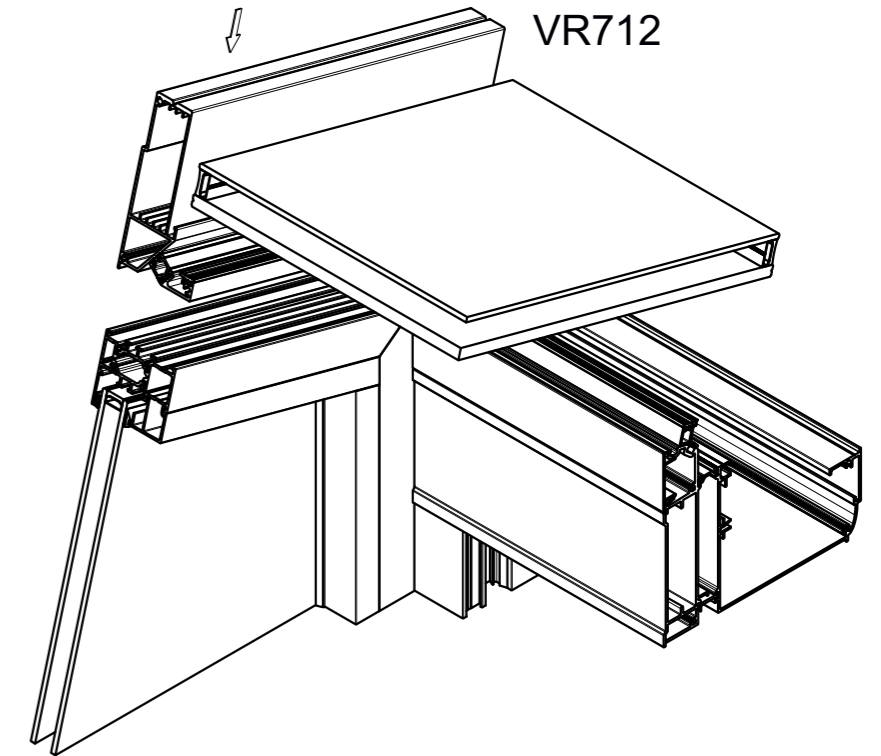
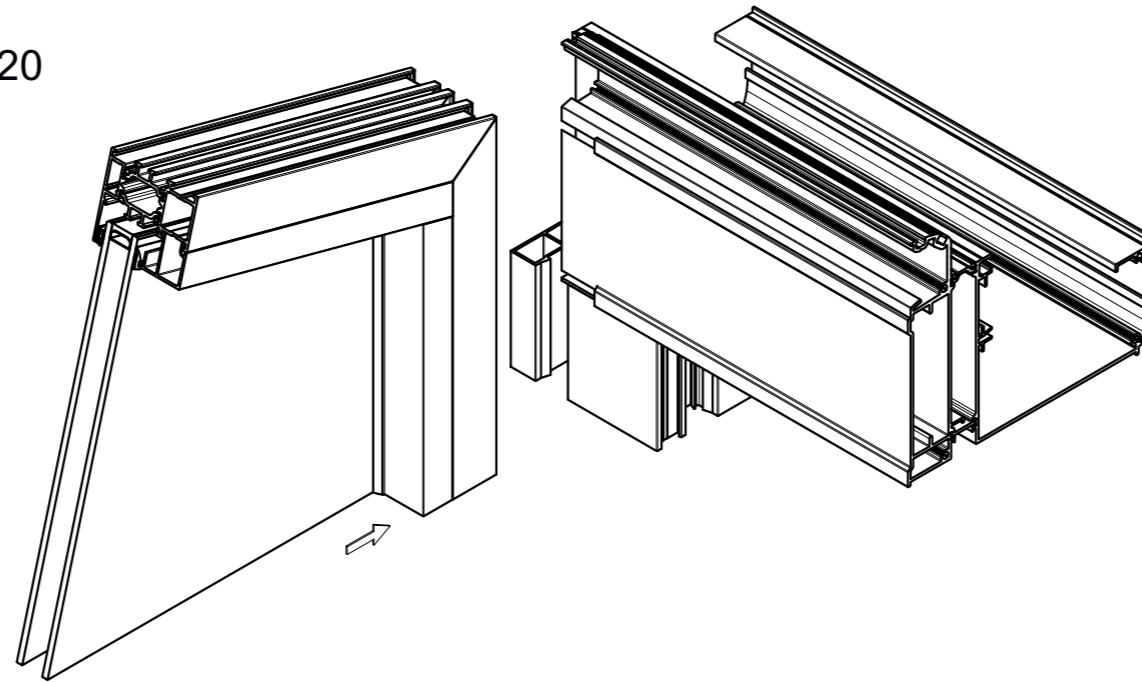
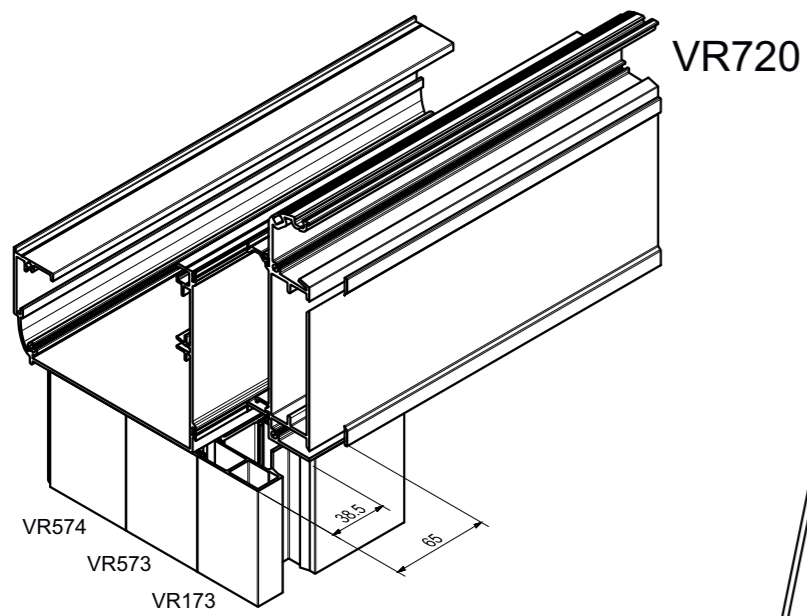
# VR700

MONTAGE EINDPLAAT  
MONTAGE PLAQUE  
MONTAGE ENDSTÜCK  
MONTAGE ENDPIECE



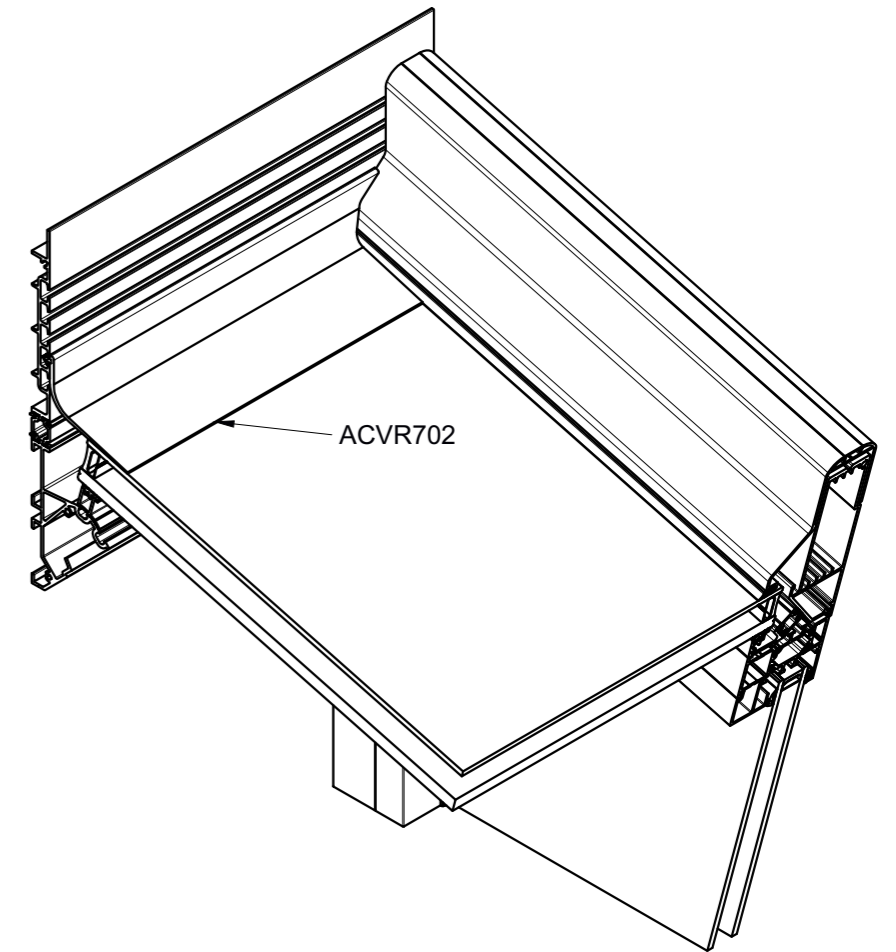
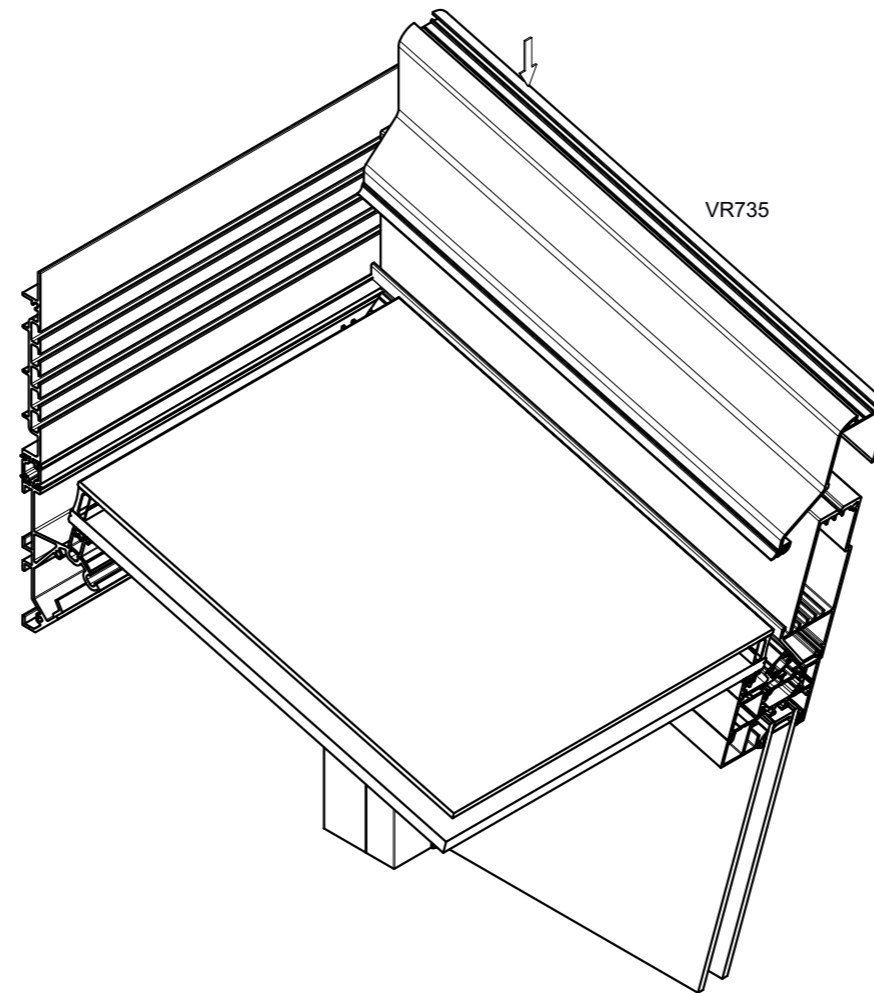
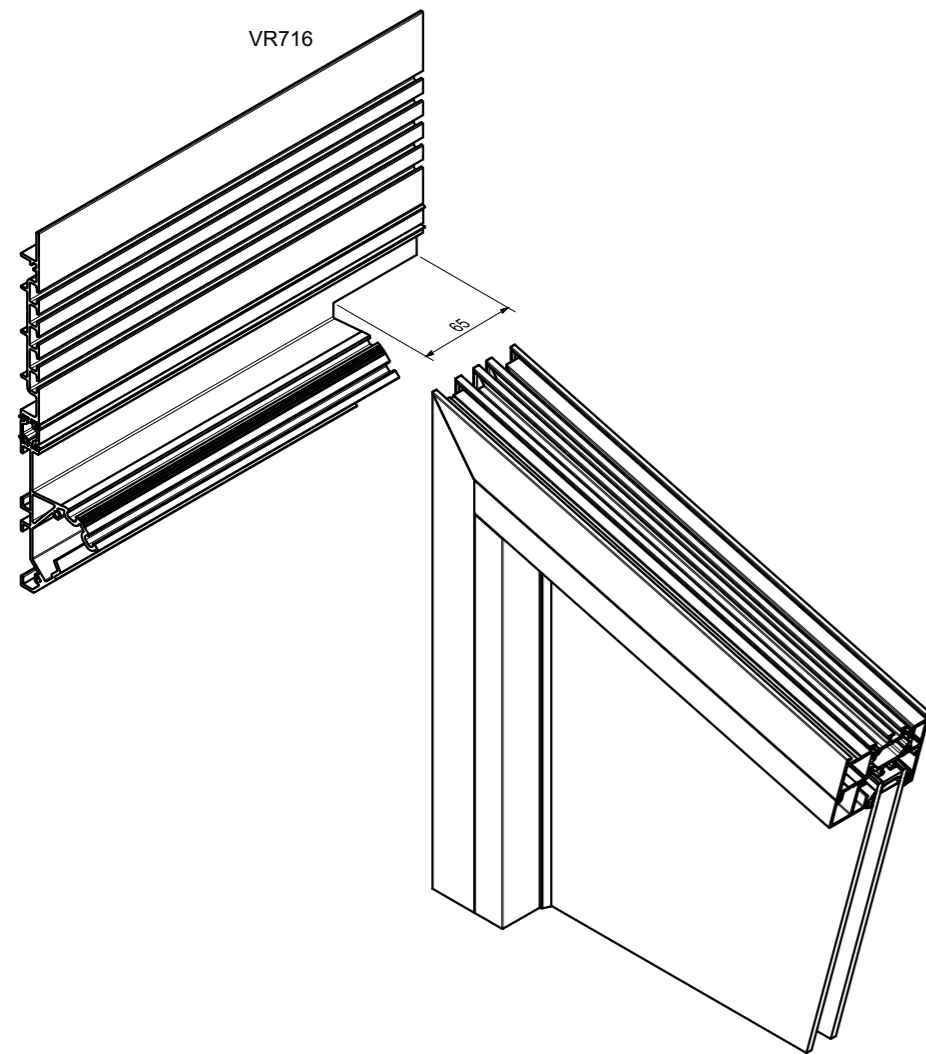
# VR700

MONTAGE ZIJLIGGER  
MONTAGE CHEVRON LATERALE  
MONTAGE SEITENSPARREN  
MONTAGE SIDE RAFTER

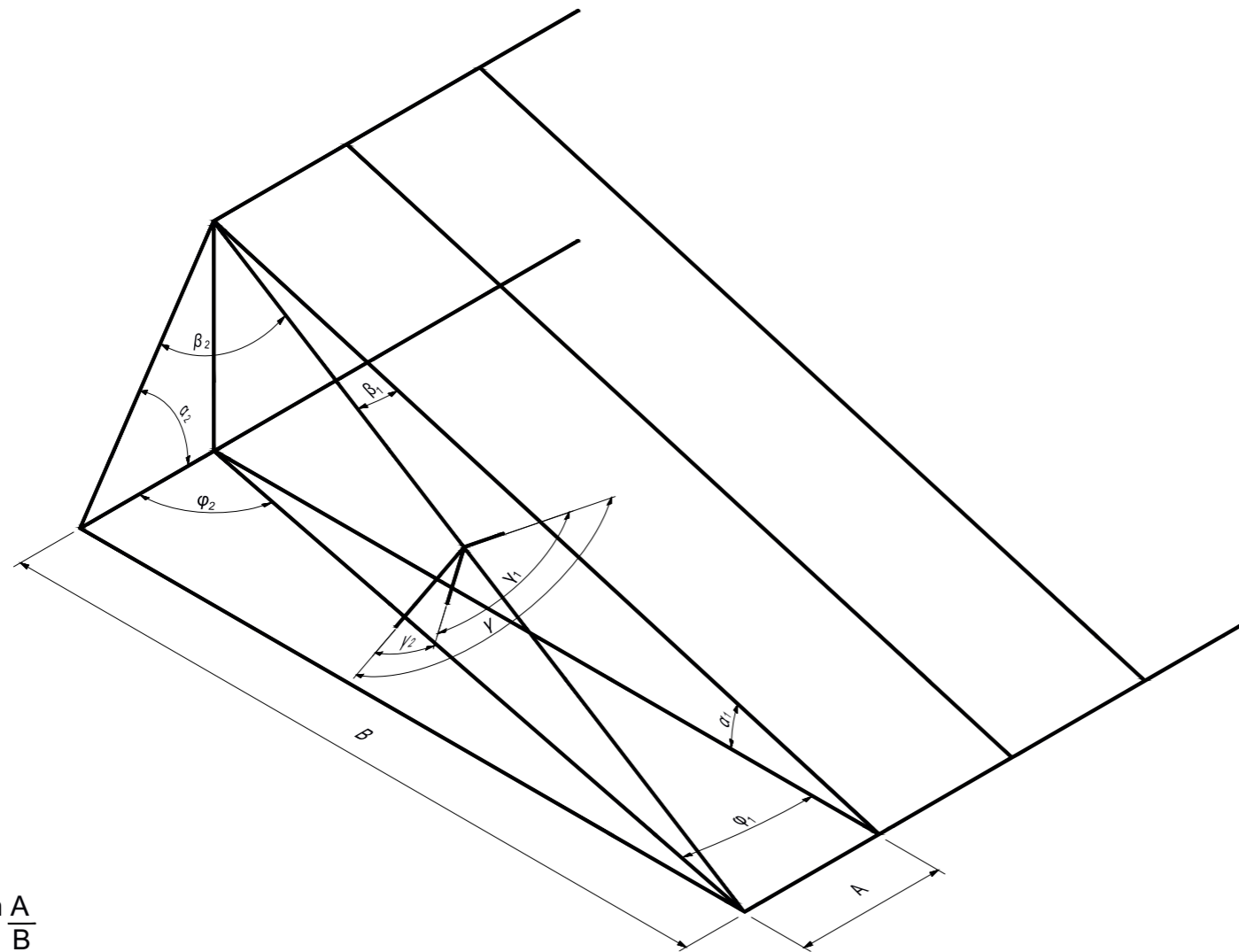


# VR700

MONTAGE ZIJLIGGER  
MONTAGE CHEVRON LATERALE  
MONTAGE SEITENSPARREN  
MONTAGE SIDE RAFTER



BEREKENING HOEK NOORDBOOM  
 CALCULATION ANGLE ARRETIER  
 BERECHNUNG WINKEL GRATSPARREN  
 ANGLE CALCULATION HIP-RAFTER



$$\varphi_1 = \arctan \frac{A}{B}$$

$$\gamma_1 = \arccos (\sin \varphi_1 \times \sin \alpha_1)$$

$$\varphi_2 = \arctan \frac{B}{A}$$

$$\gamma_2 = \arccos (\sin \varphi_2 \times \sin \alpha_2)$$

$$\beta_1 = \arctan (\tan \varphi_1 \times \cos \alpha_1)$$

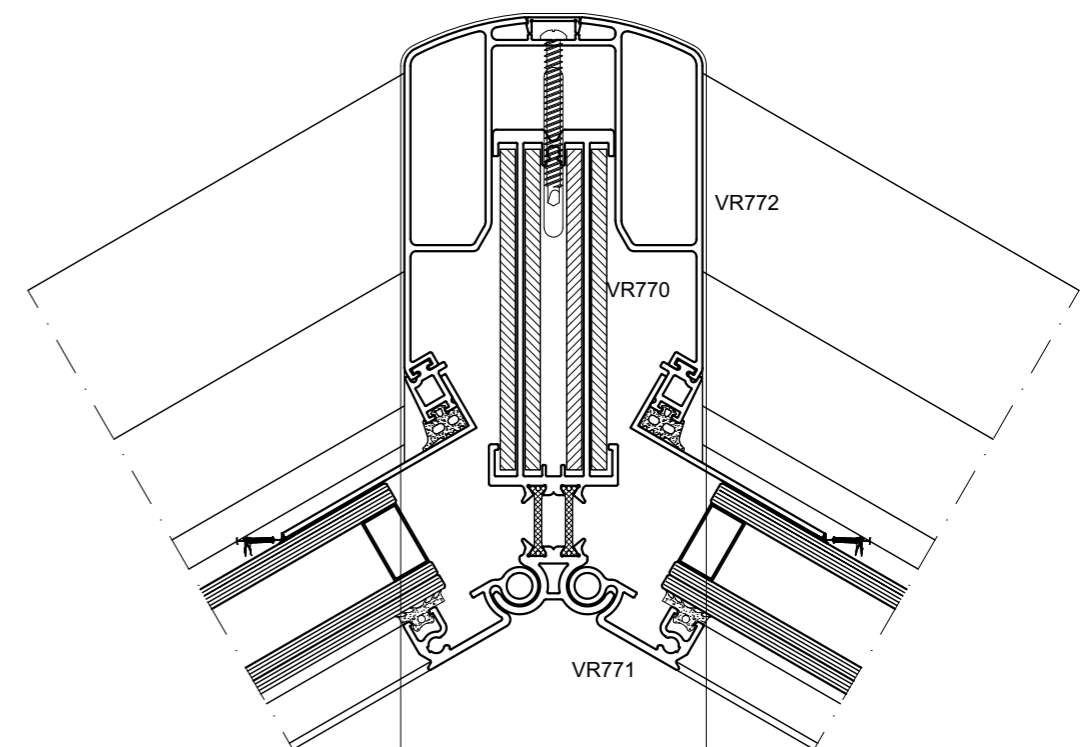
$$\beta_2 = \arctan (\tan \varphi_2 \times \cos \alpha_2)$$

$$\gamma = \gamma_1 + \gamma_2$$

Voorbeeld - exemple - Beispiel - example

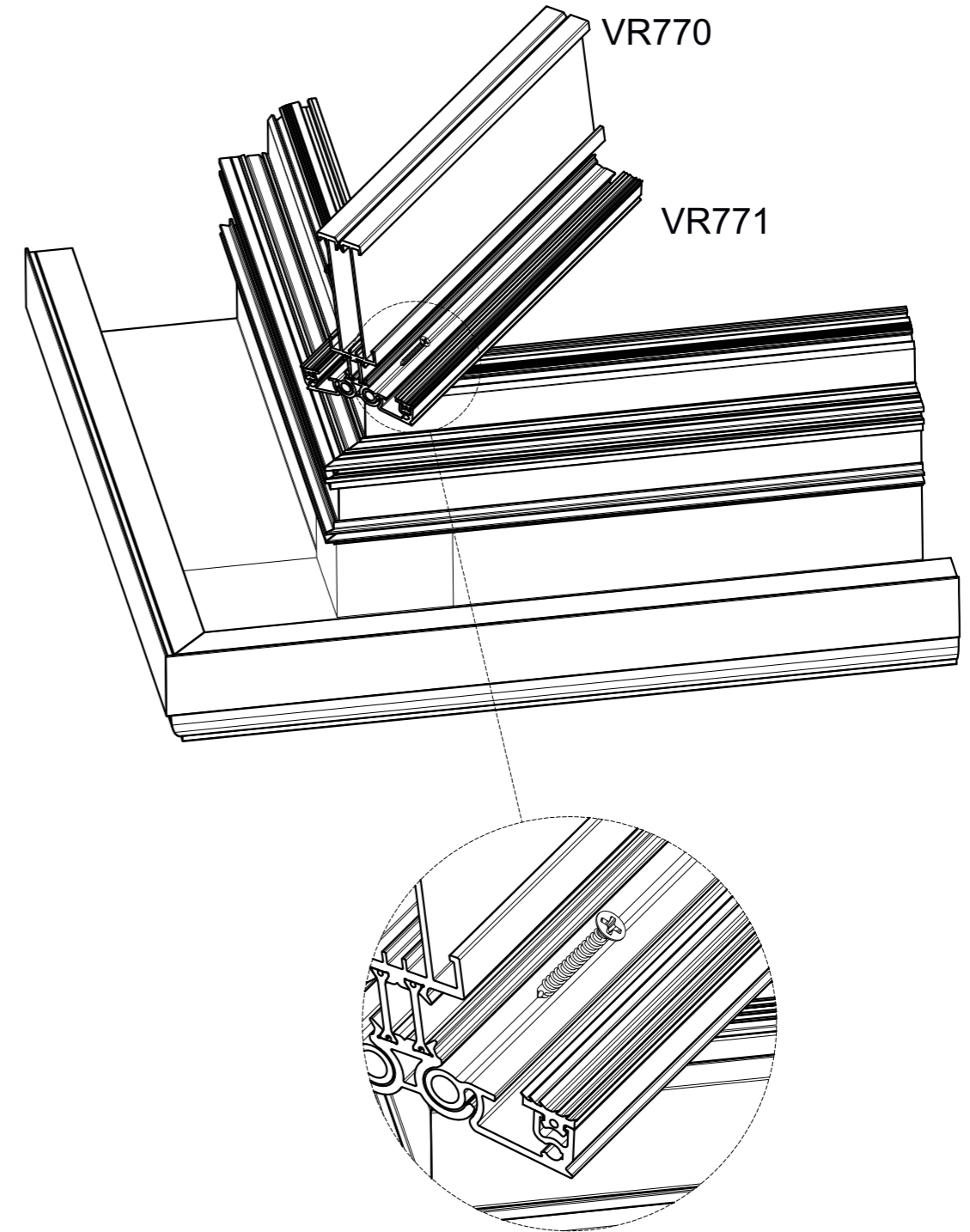
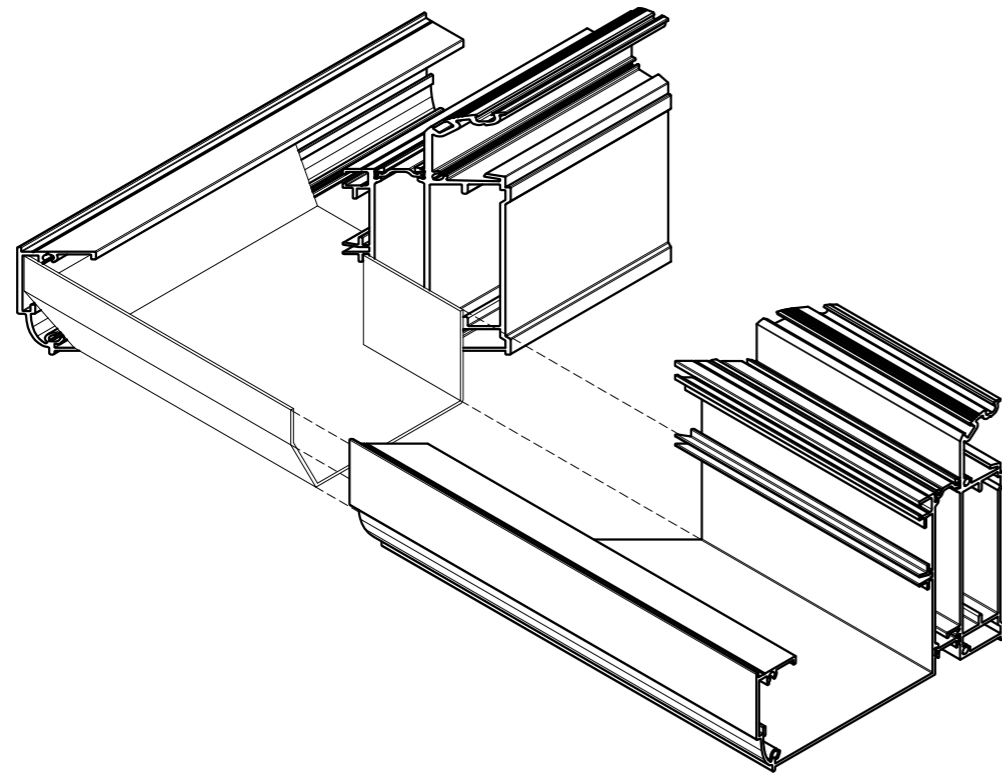
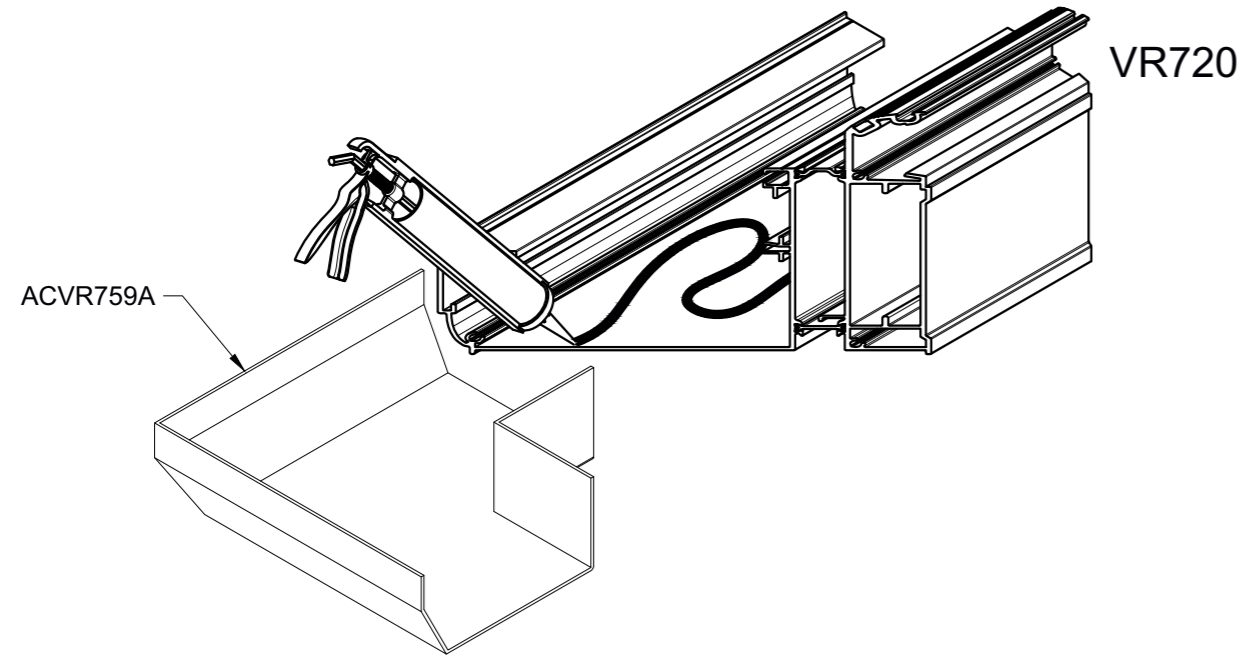
A = 1000     $\alpha_1 = 15^\circ$   
 B = 3000     $\alpha_2 = 38.8^\circ$

- ①  $\varphi_1 = \arctan \frac{1000}{3000} = 18.4^\circ$   
 $\gamma_1 = \arccos (\sin 18.4^\circ \times \sin 15^\circ) = 85.3^\circ$
- ②  $\varphi_2 = \arctan \frac{3000}{1000} = 71.6^\circ$   
 $\gamma_2 = \arccos (\sin 71.6^\circ \times \sin 38.8^\circ) = 53.5^\circ$
- ③  $\gamma = 85.3^\circ + 53.5^\circ = 138.8^\circ$



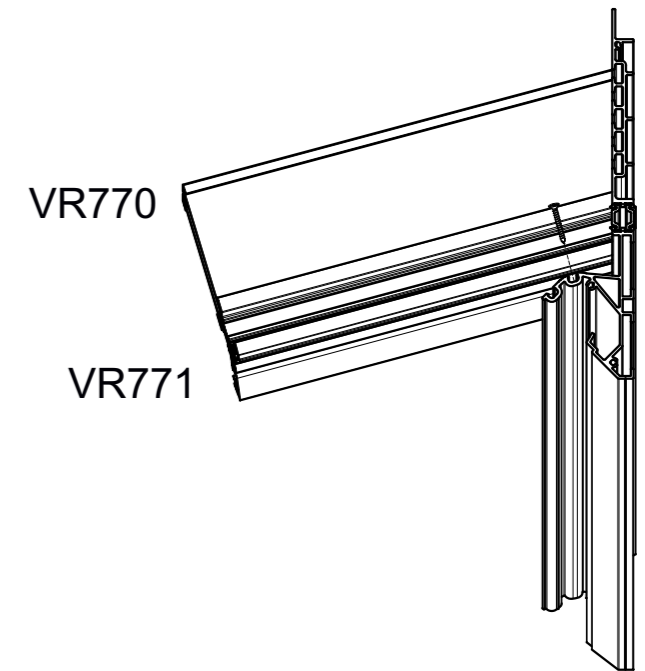
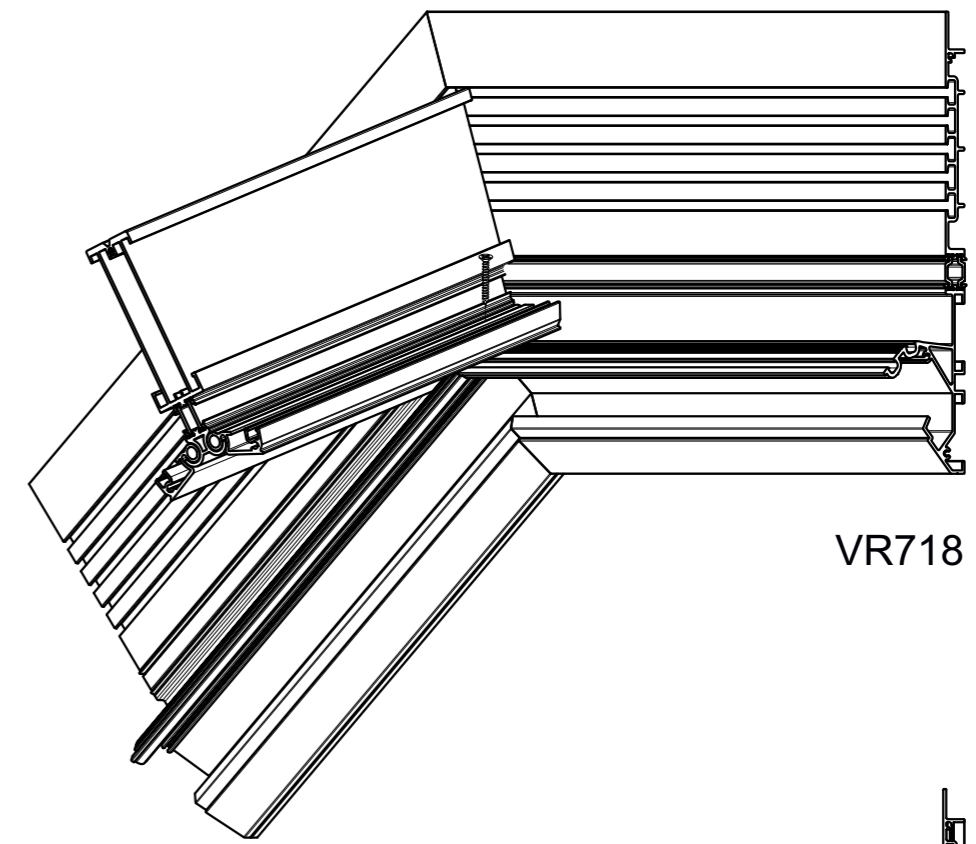
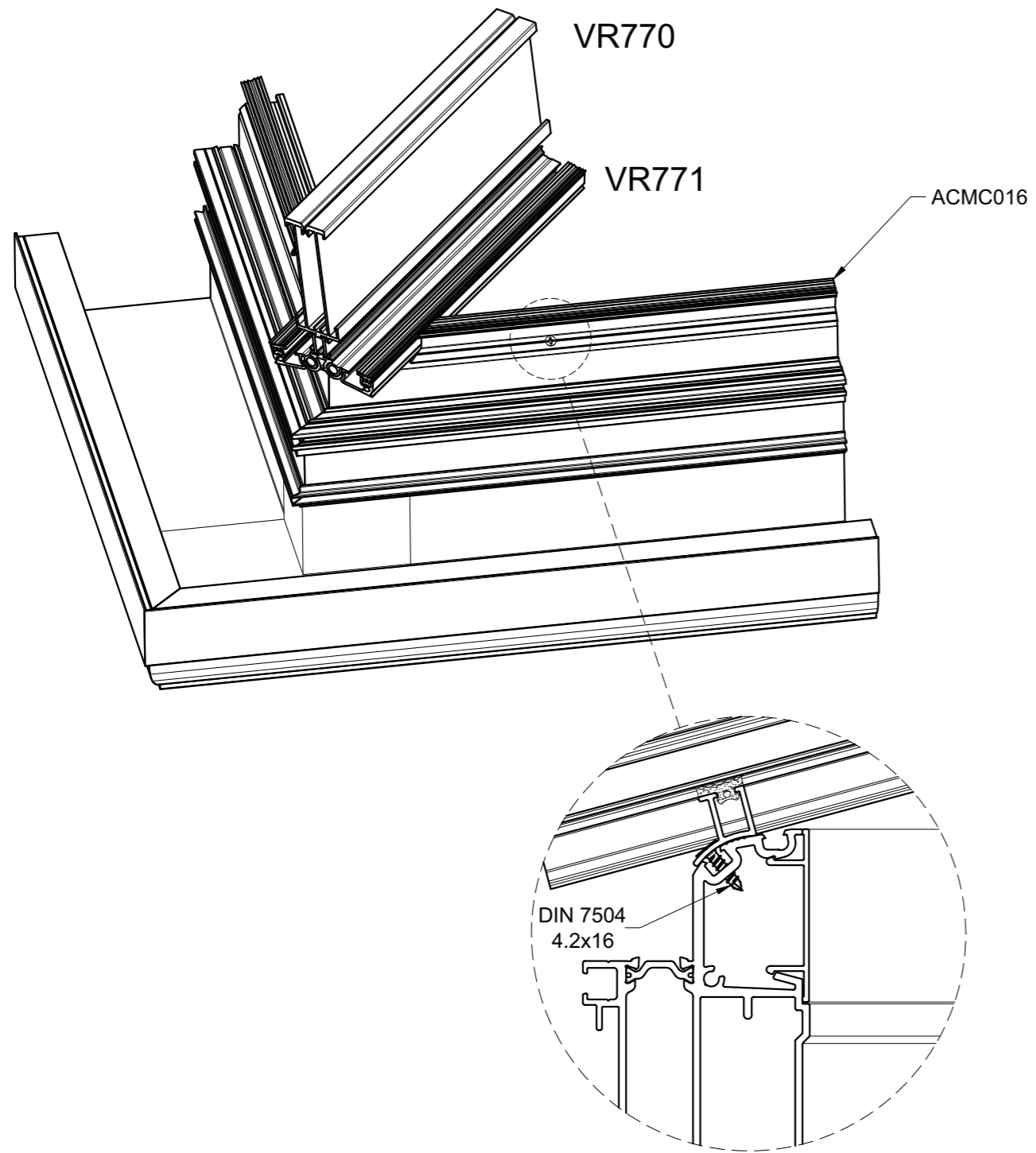
# VR700

MONTAGE NOORDBOOM  
MONTAGE ARRETIER  
MONTAGE GRATSPARREN  
MONTAGE HIP-RAFTER



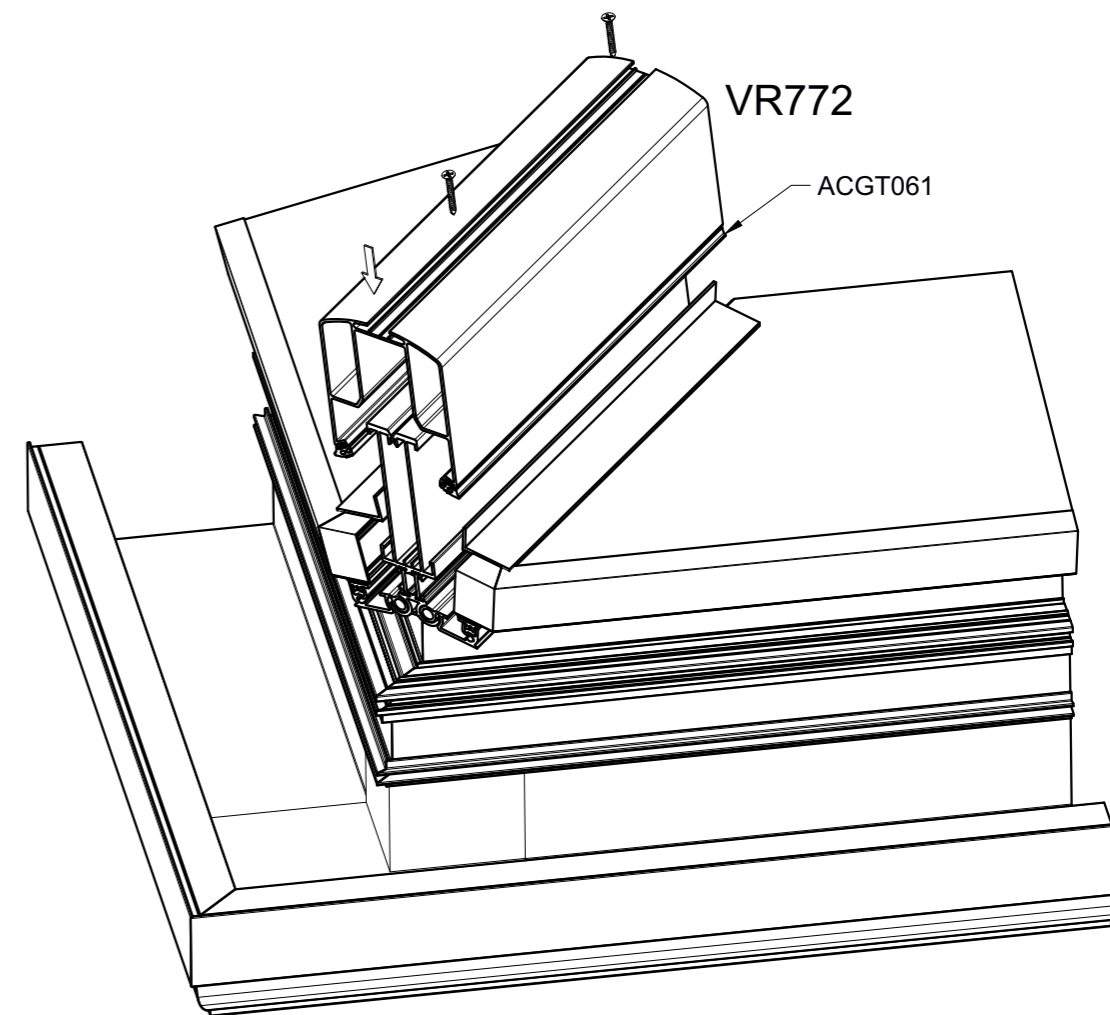
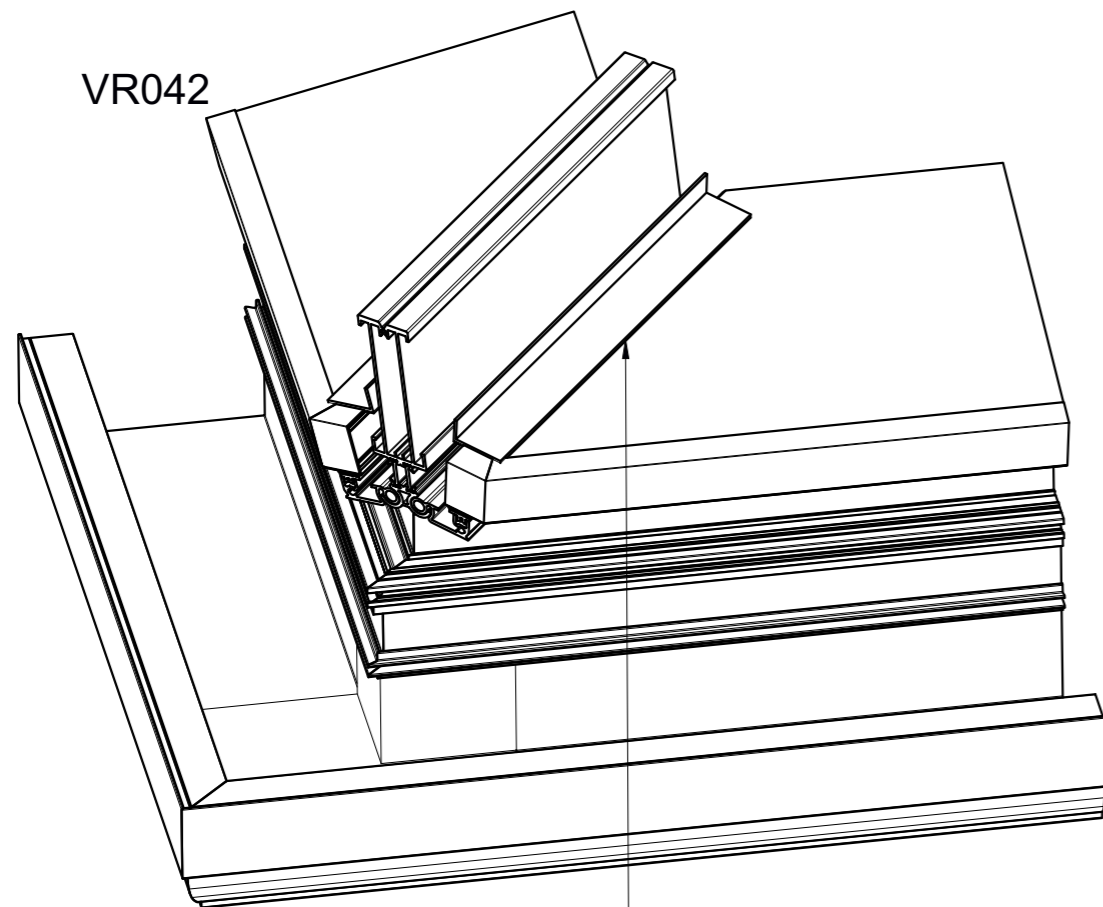
# VR700

MONTAGE NOORDBOOM  
MONTAGE ARRETIER  
MONTAGE GRATSPARREN  
MONTAGE HIP-RAFTER

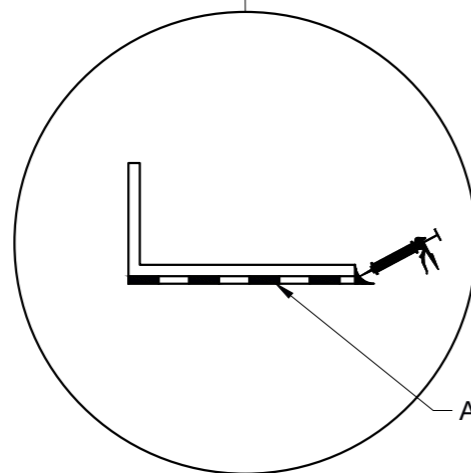


# VR700

MONTAGE NOORDBOOM  
MONTAGE ARRETIER  
MONTAGE GRATSPARREN  
MONTAGE HIP-RAFTER



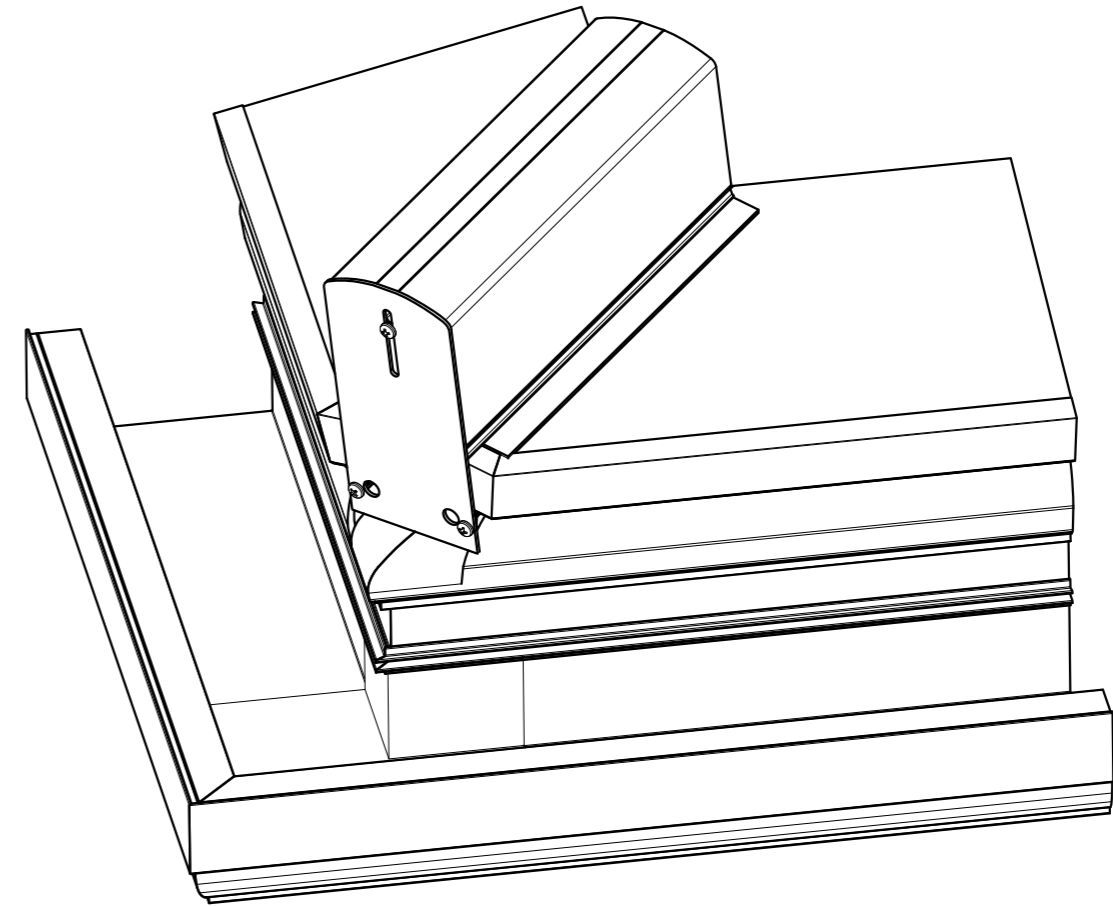
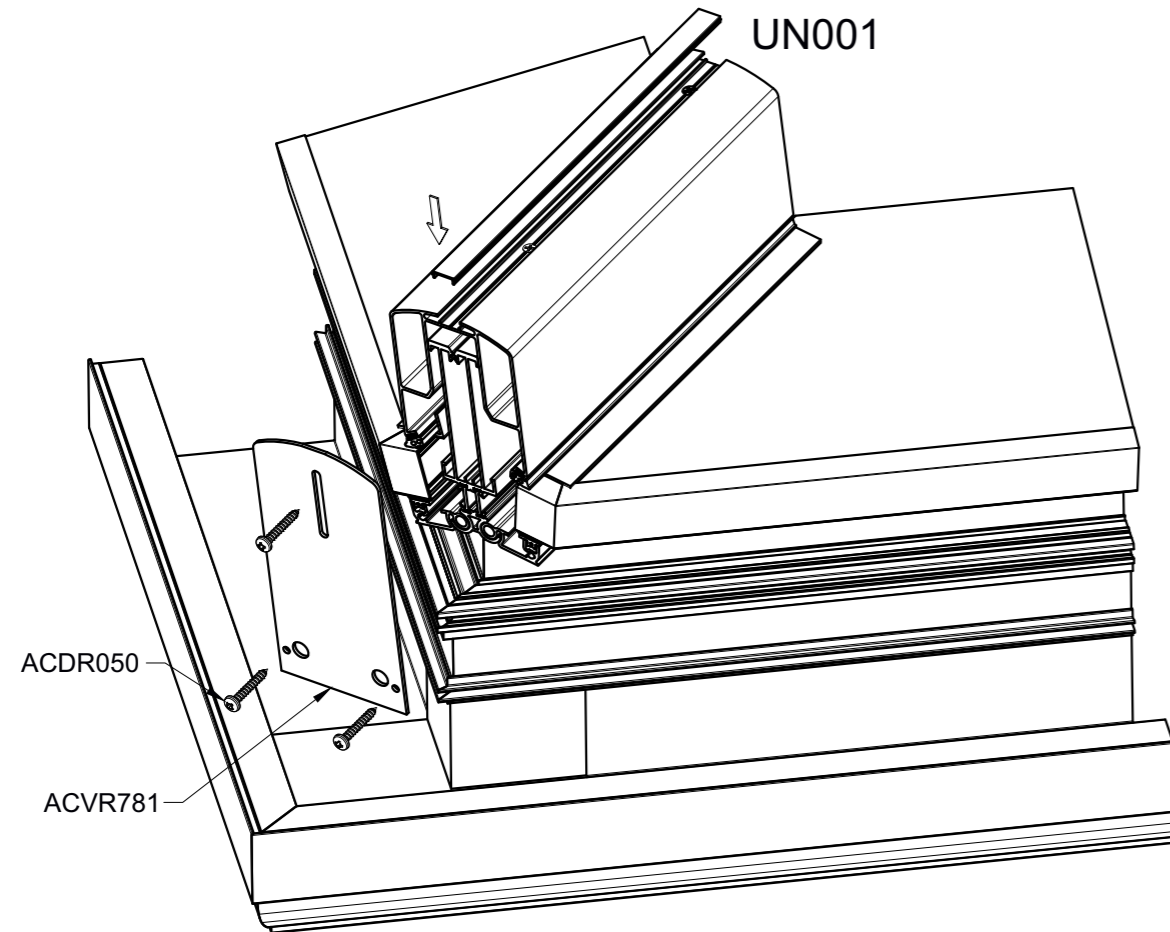
- PLOOIWERK
- TÔLE PLIÉ
- BLECHE
- BENDWORK



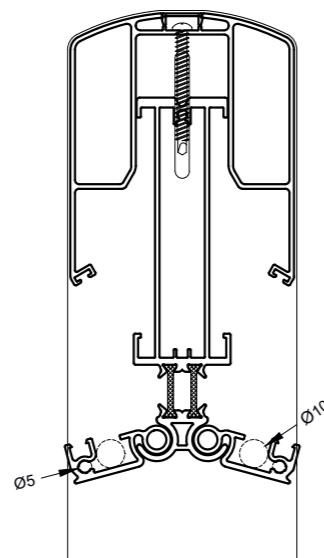


# VR700

MONTAGE NOORDBOOM  
MONTAGE ARRETIER  
MONTAGE GRATSPARREN  
MONTAGE HIP-RAFTER



- GATEN ZELF TE VOORZIEN
- TROUS A FAIRE VOUS-MÊME
- LOCHER SELBER ZU MACHEN
- HOLES TO BE MADE



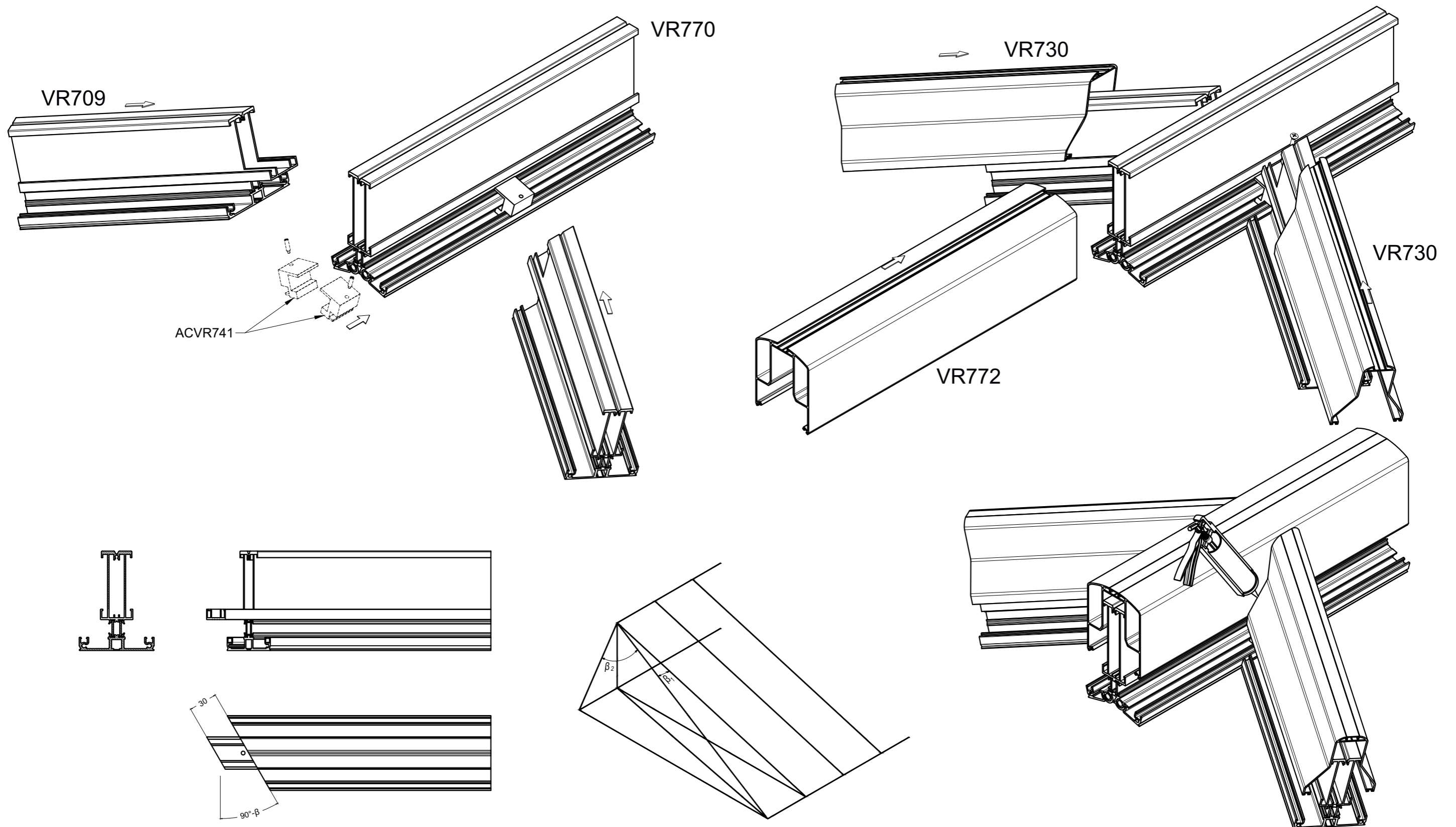
NOORDBOOM\_4



25/6/15

# VR700

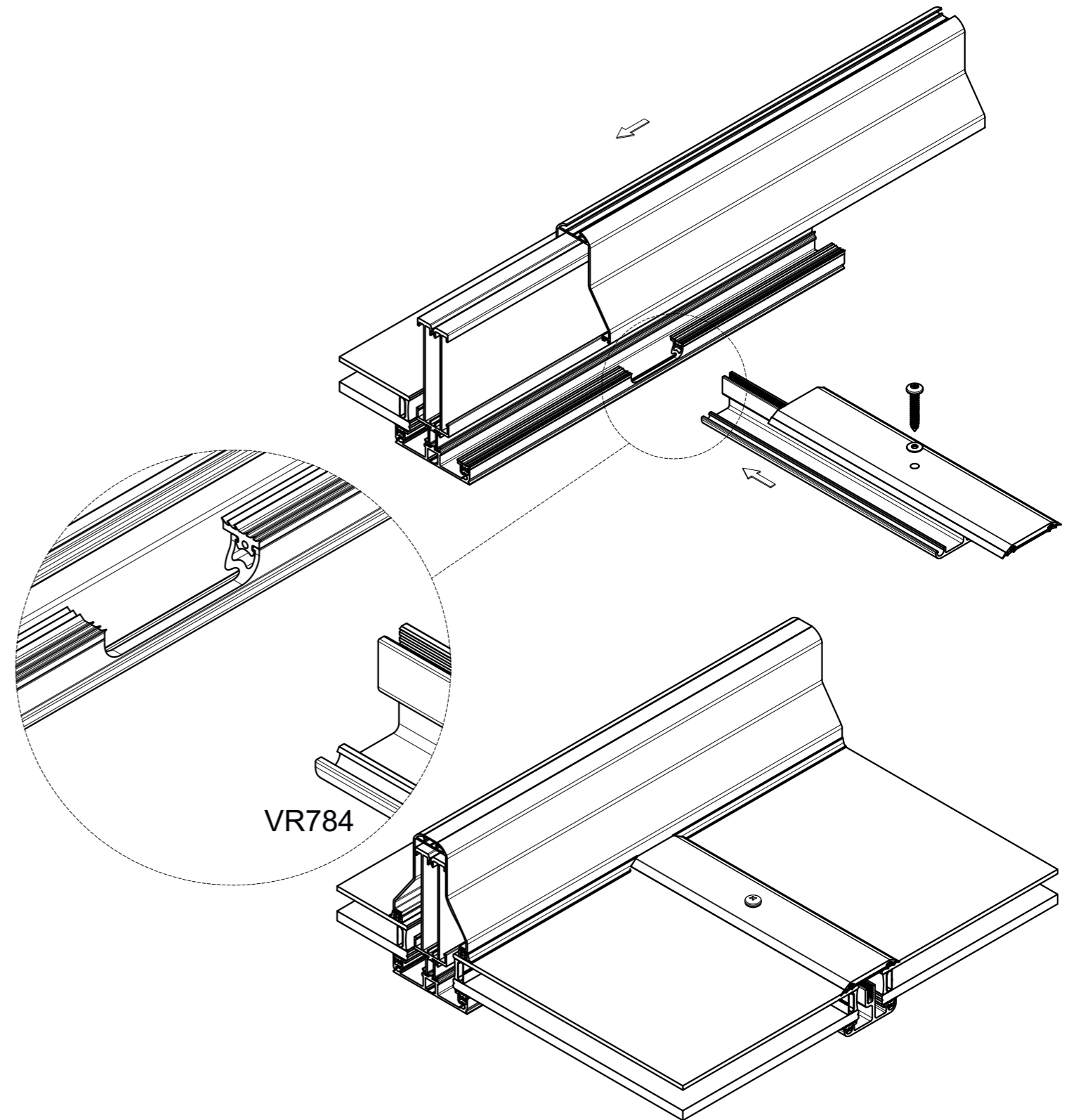
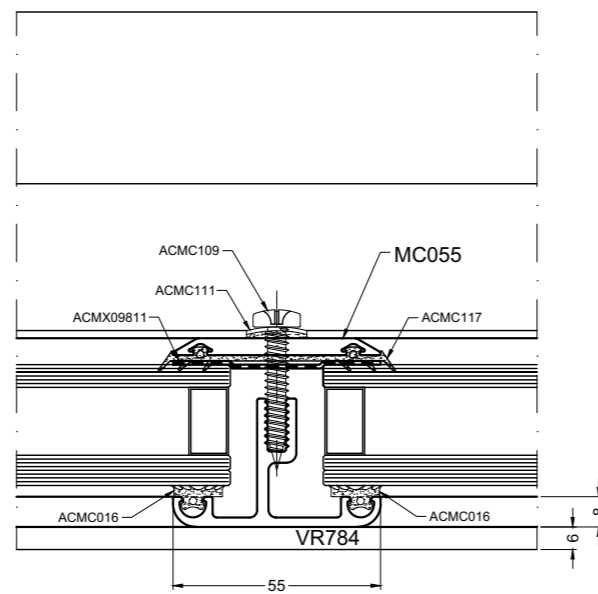
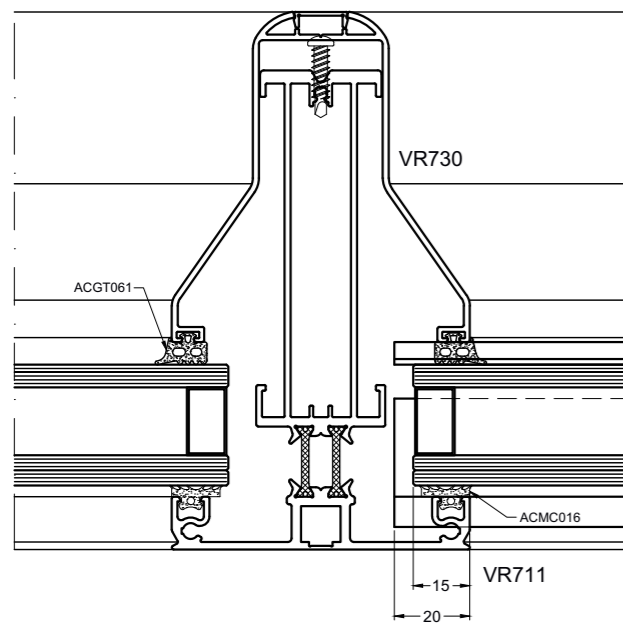
MONTAGE KLEINE LIGGER  
MONTAGE EMPANNON  
MONTAGE KLEINE TRAGER  
ASSEMBLY SMALL BEAM



EMPANNON

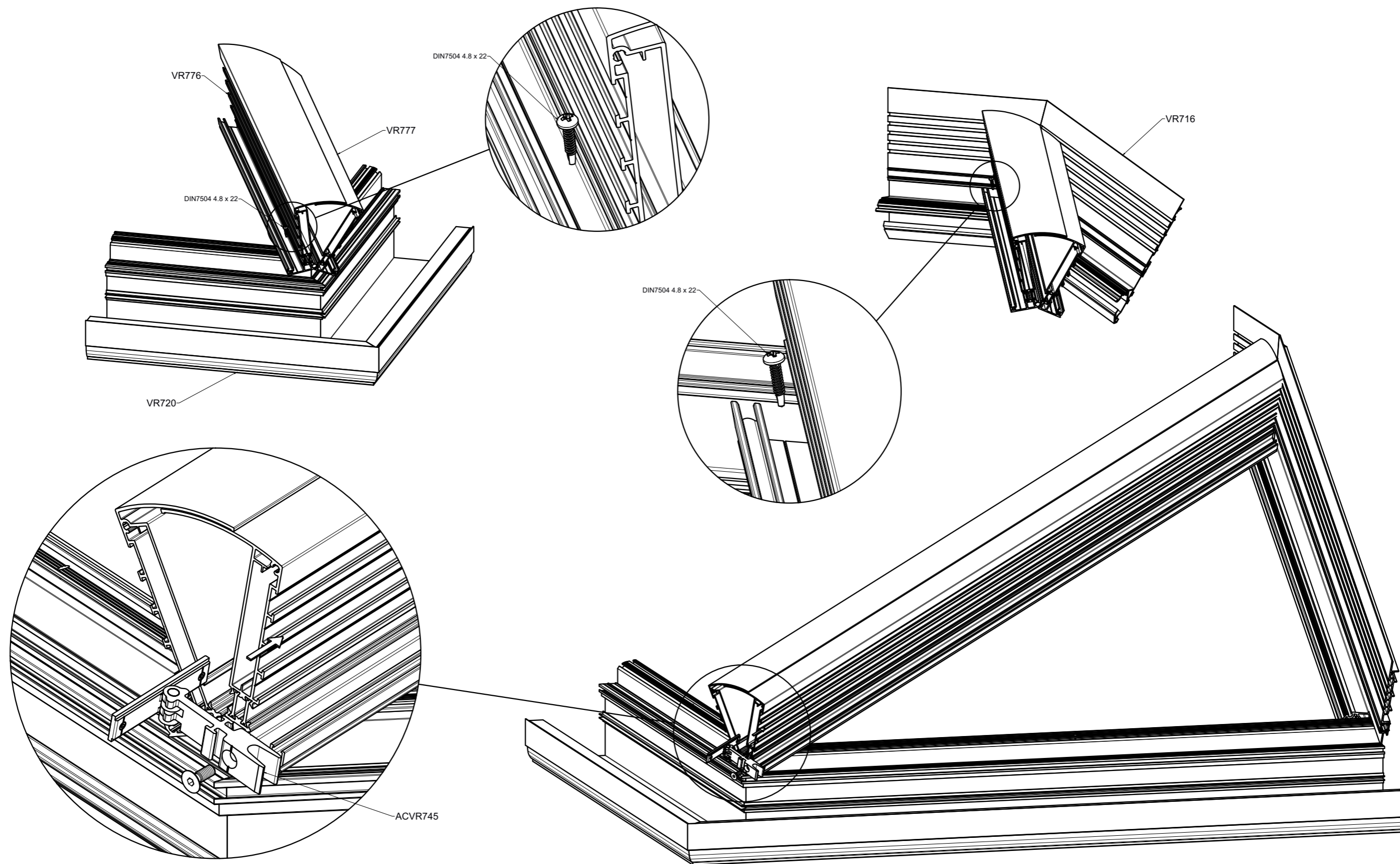
# VR700

MONTAGE VR784  
MONTAGE VR784  
MONTAGE VR784  
MONTAGE VR784



# VR700

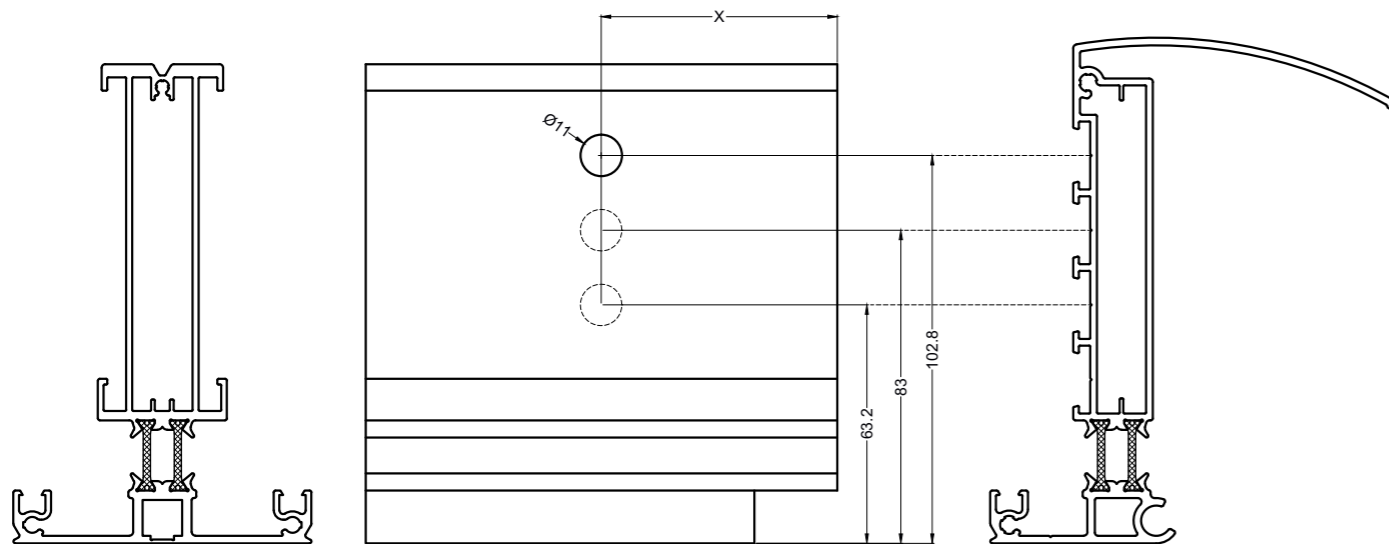
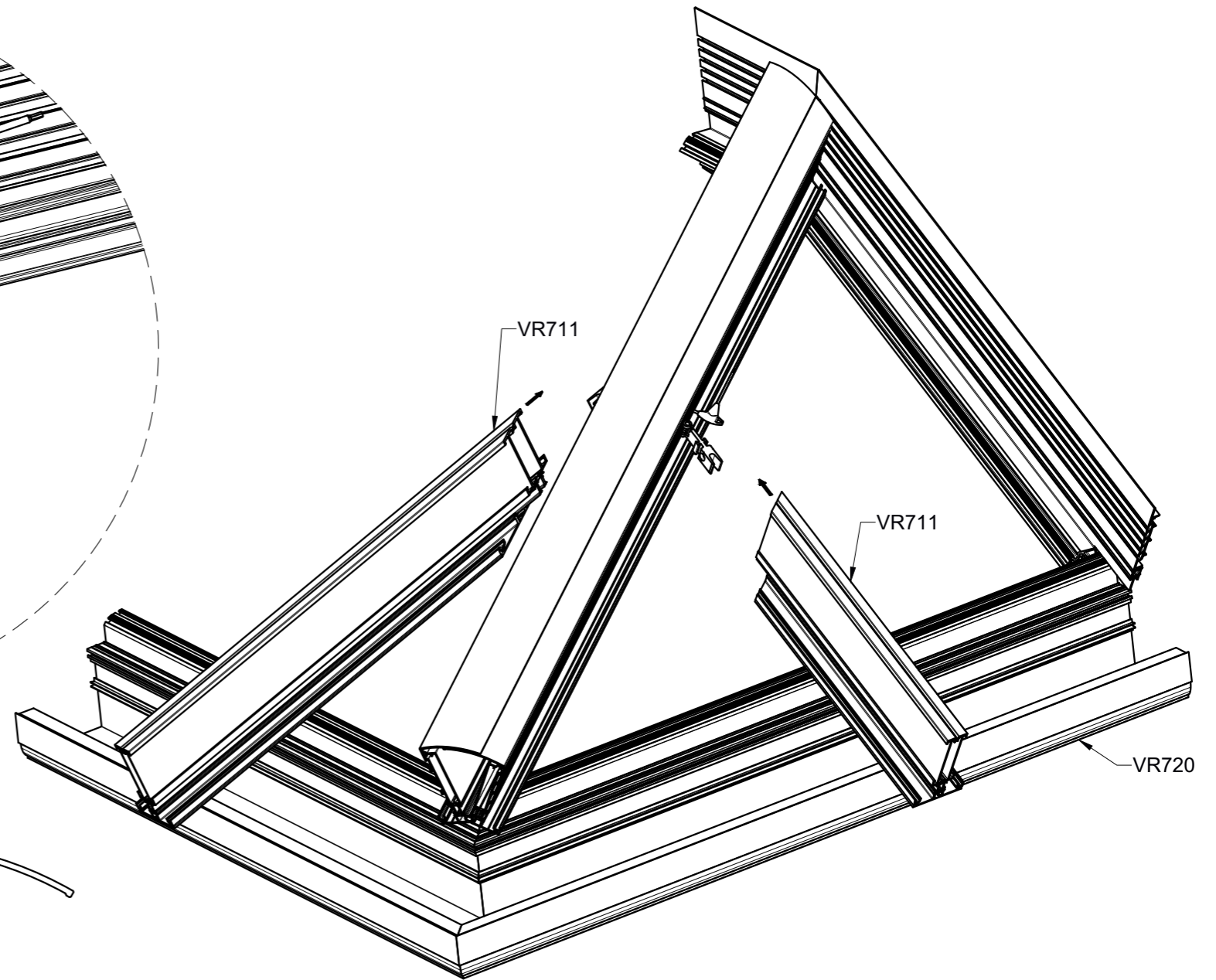
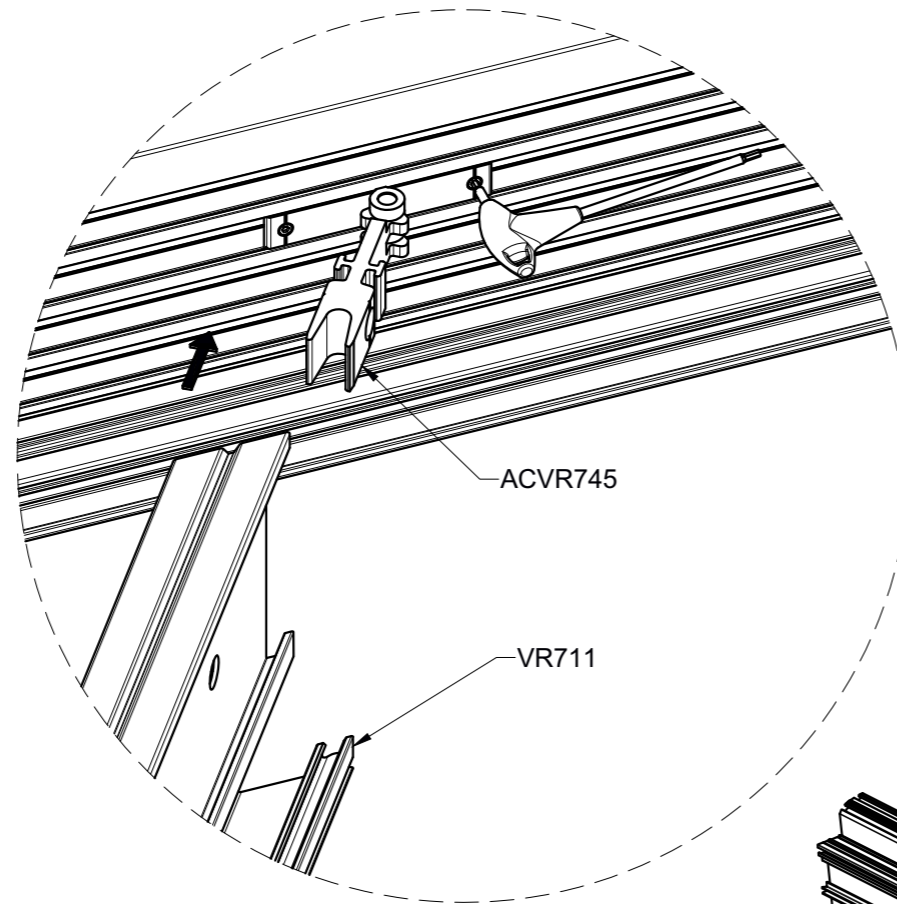
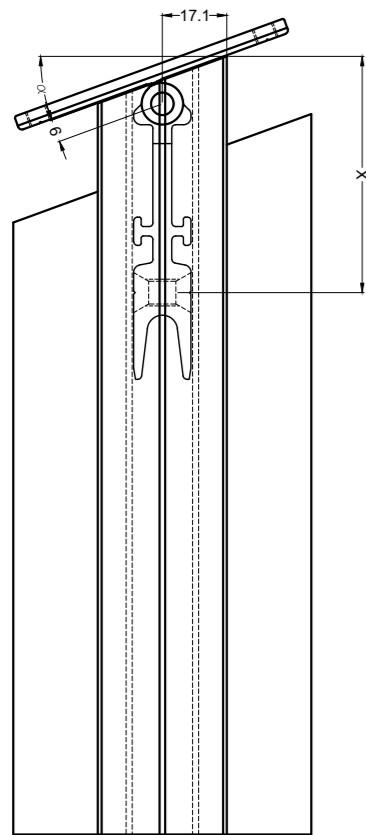
MONTAGE VR776 - VR777  
MONTAGE VR776 - VR777  
MONTAGE VR776 - VR777  
MONTAGE VR776 - VR777



ARETIER\_1

# VR700

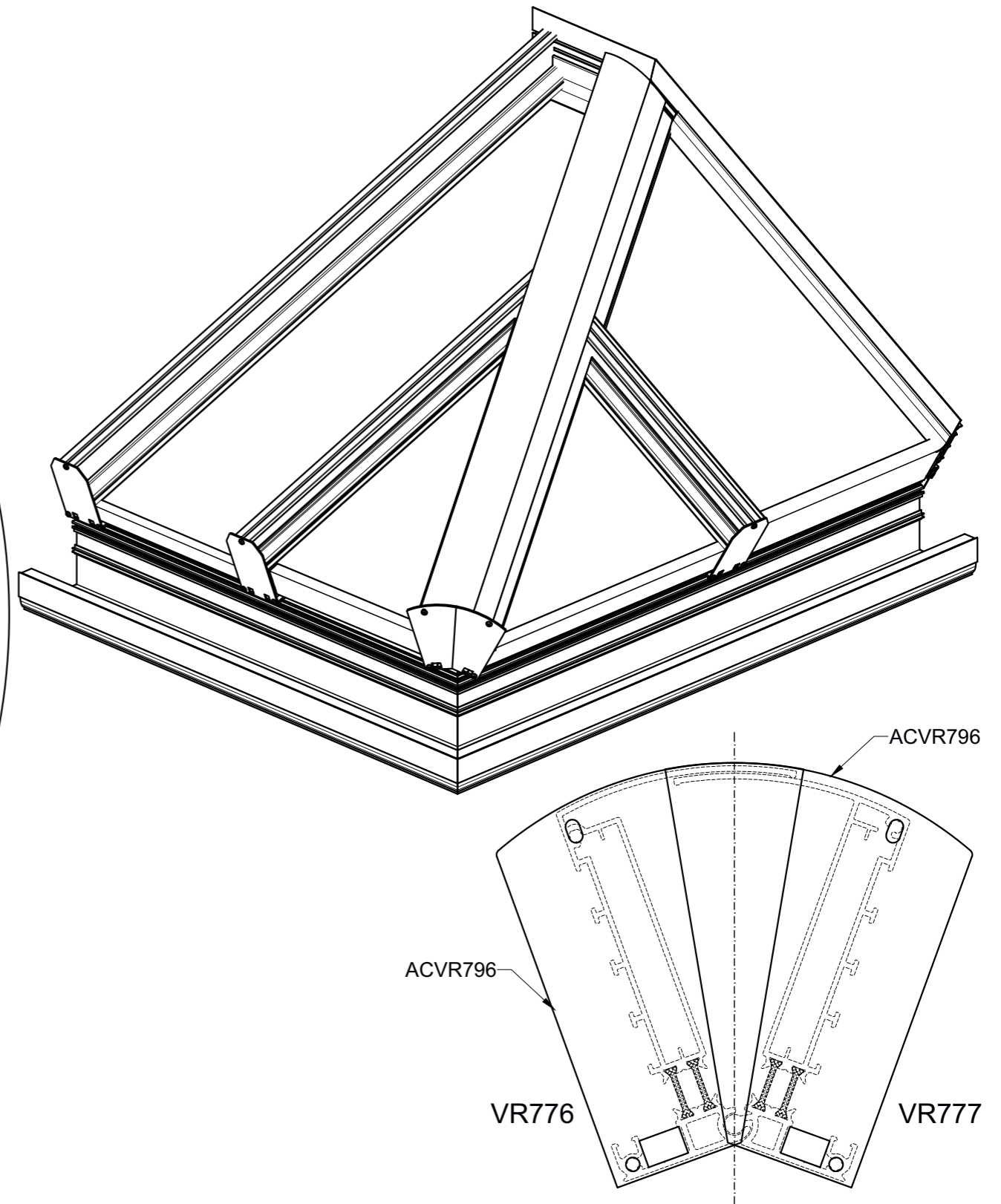
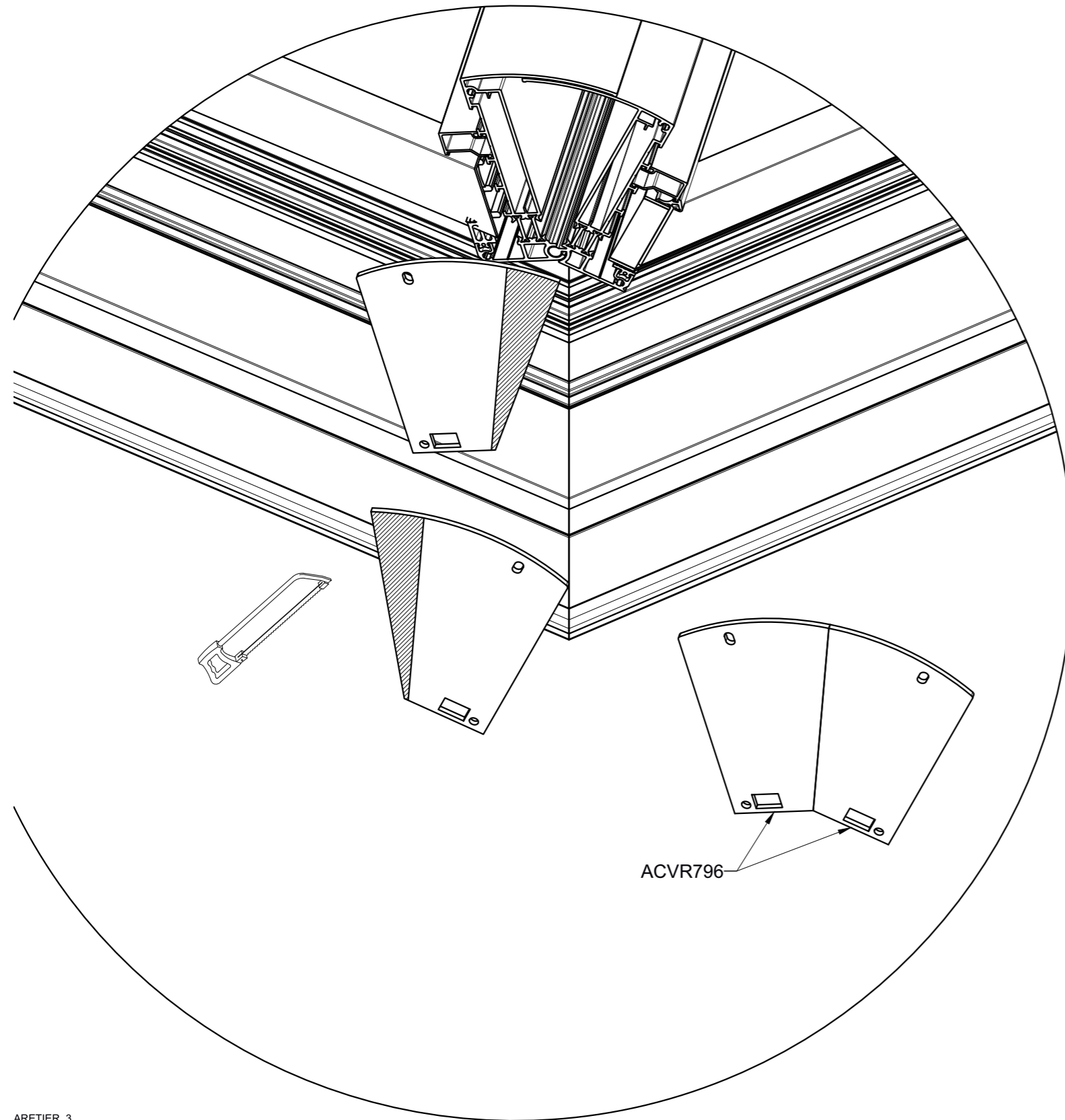
MONTAGE ACVR745  
MONTAGE ACVR745  
MONTAGE ACVR745  
MONTAGE ACVR745



$$X = 50 + (6 / (\cos \alpha)) + (17.1 \times (\tan \alpha))$$

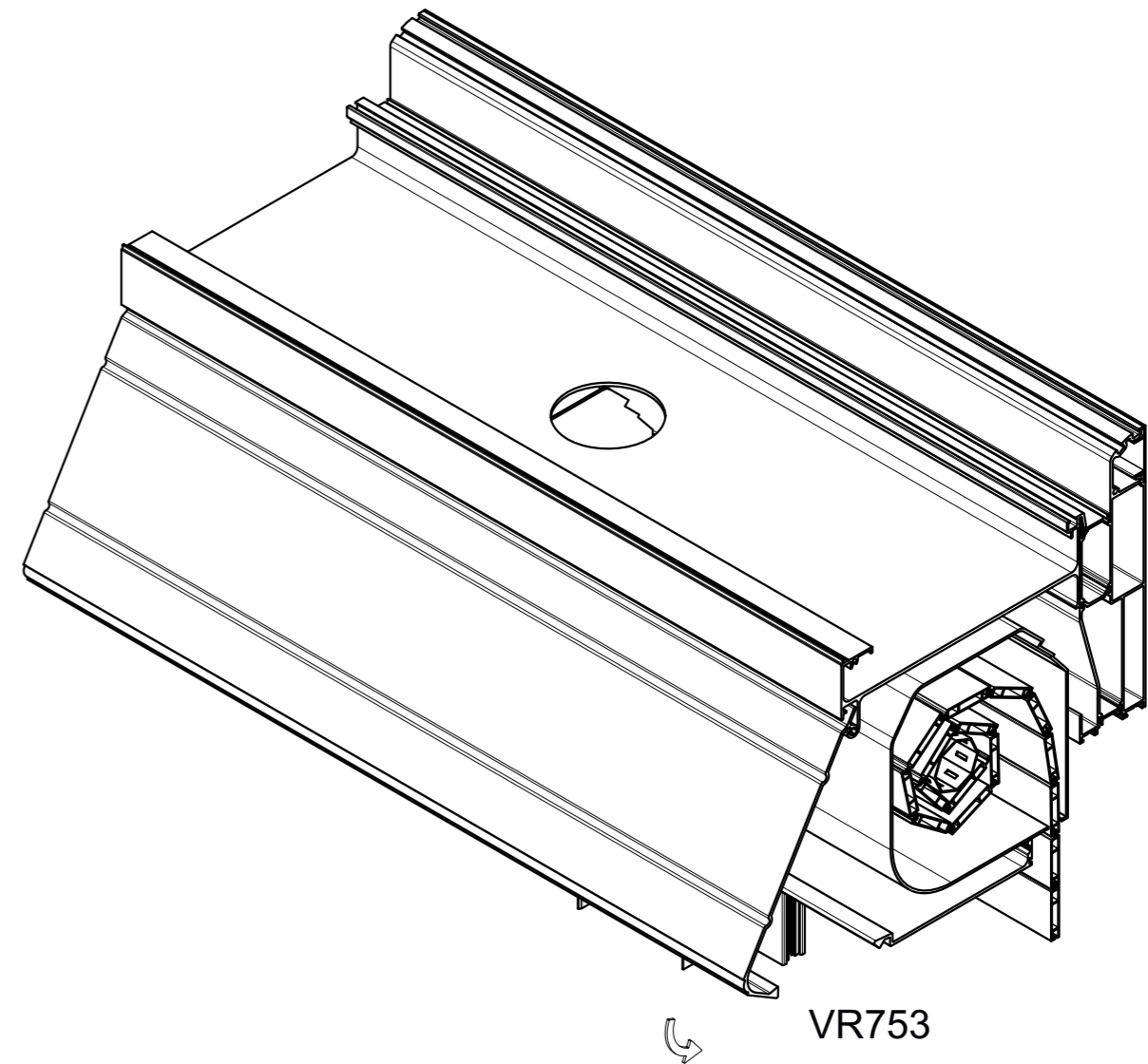
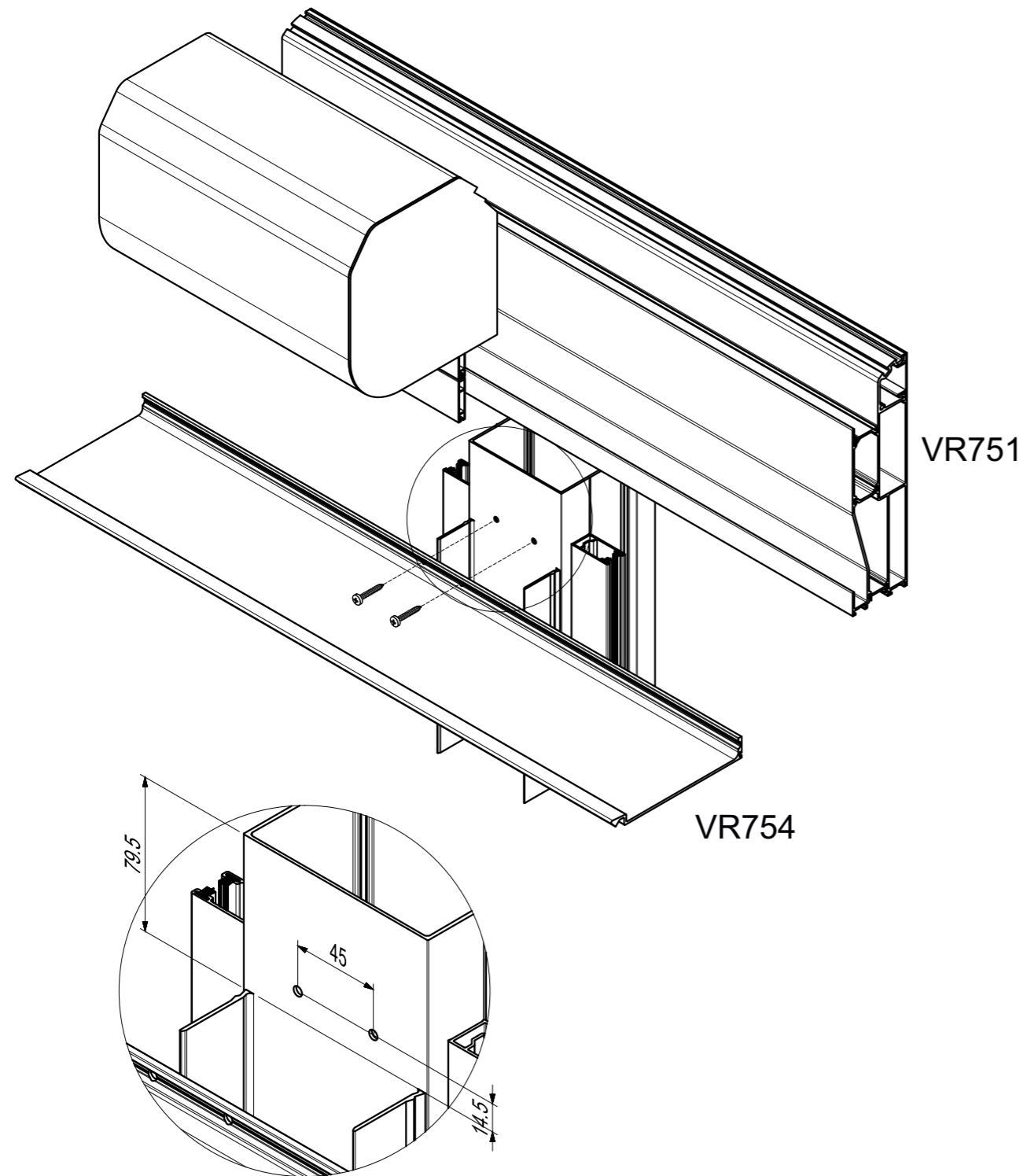
# VR700

MONTAGE ACVR796  
MONTAGE ACVR796  
MONTAGE ACVR796  
MONTAGE ACVR796



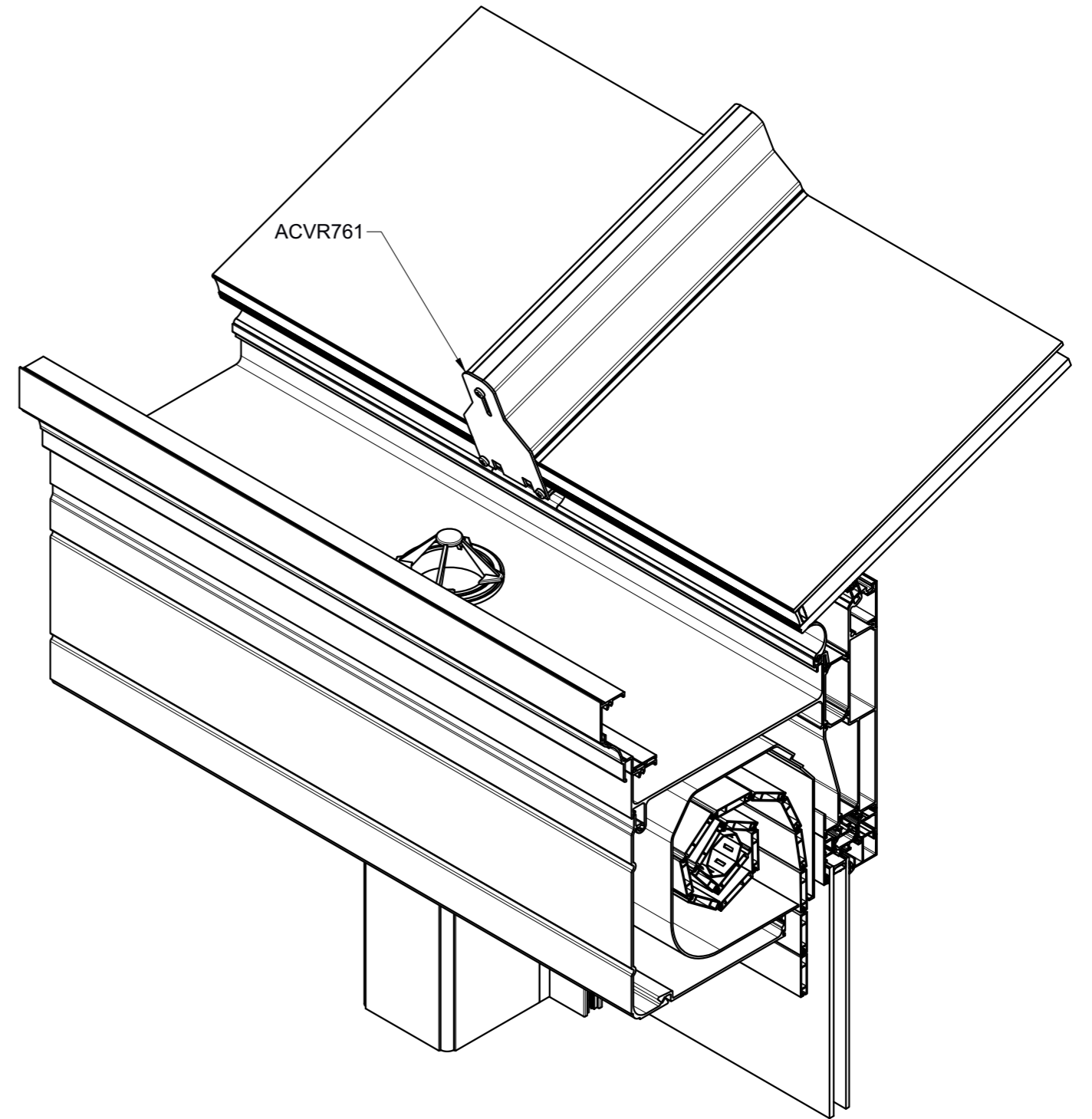
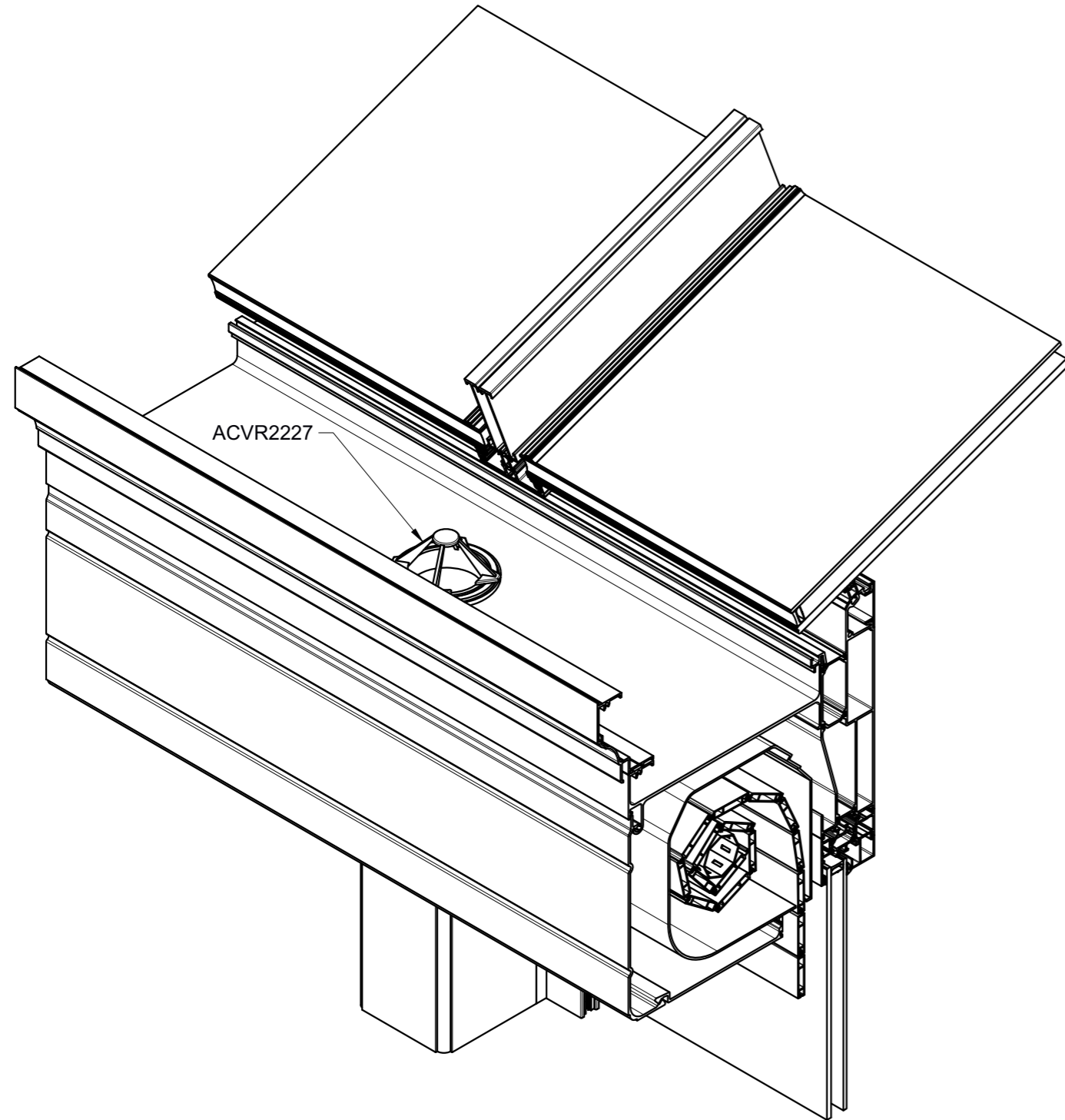
# VR700

MONTAGE INTEGROL  
MONTAGE VOILET INTEGRE  
MONTAGE INTEGRIERTE ROLLADEN  
MONTAGE INTEGRATED BLINDS



# VR700

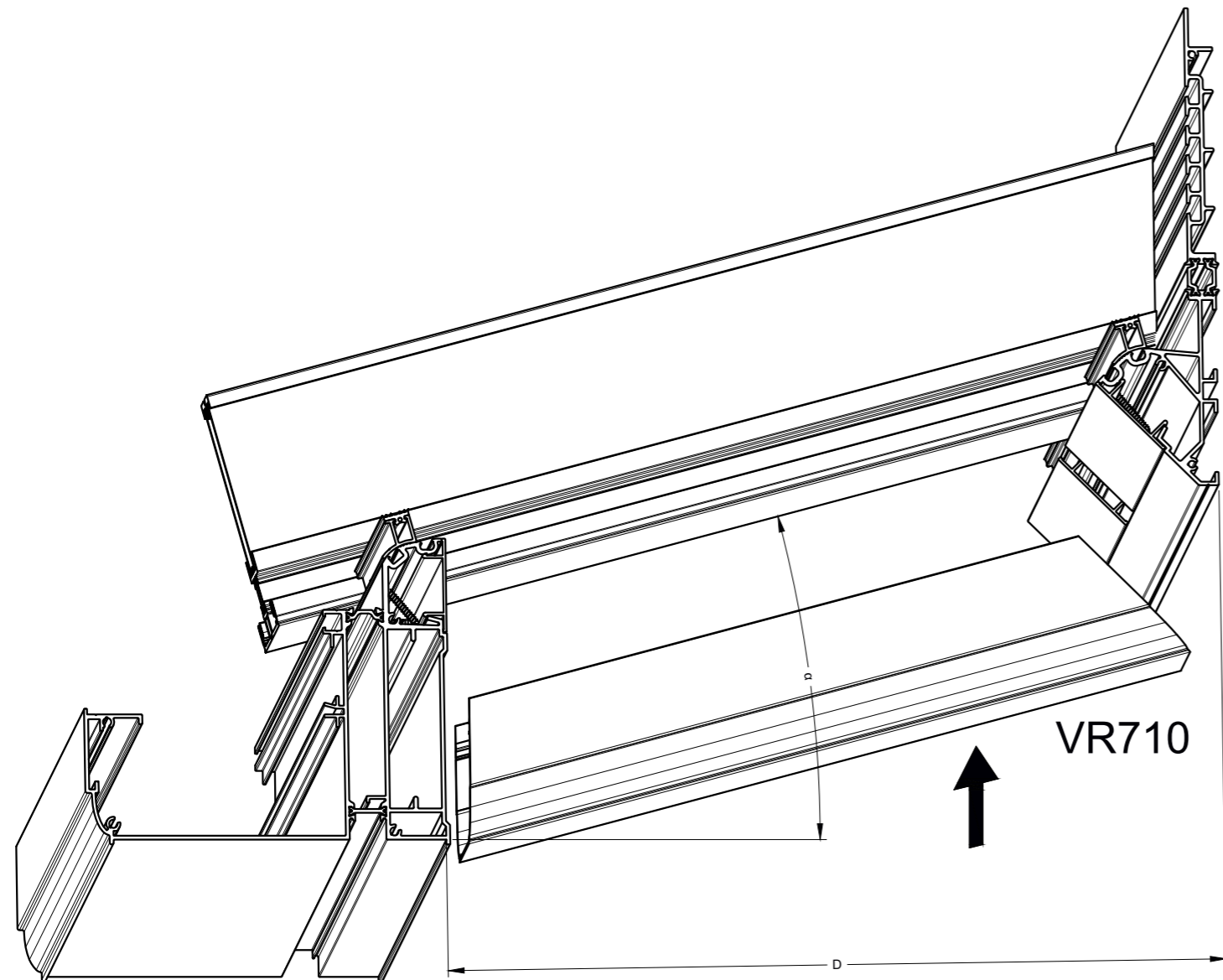
MONTAGE INTEGROL  
MONTAGE VOLET INTEGRE  
MONTAGE INTEGRIERTE ROLLADEN  
MONTAGE INTEGRATED BLINDS



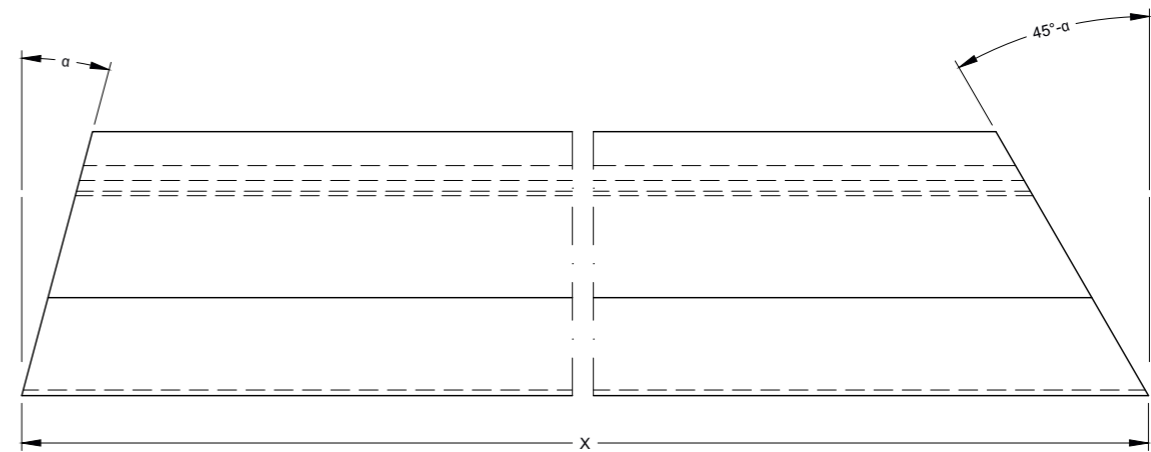
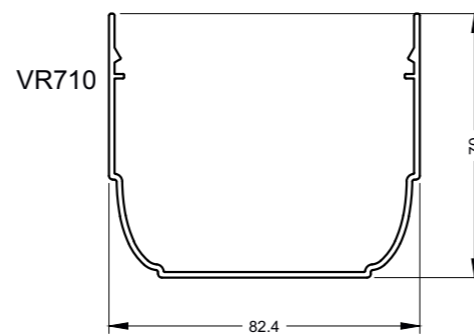


# VR700

MONTAGE VR710  
MONTAGE VR710  
MONTAGE VR710  
MONTAGE VR710

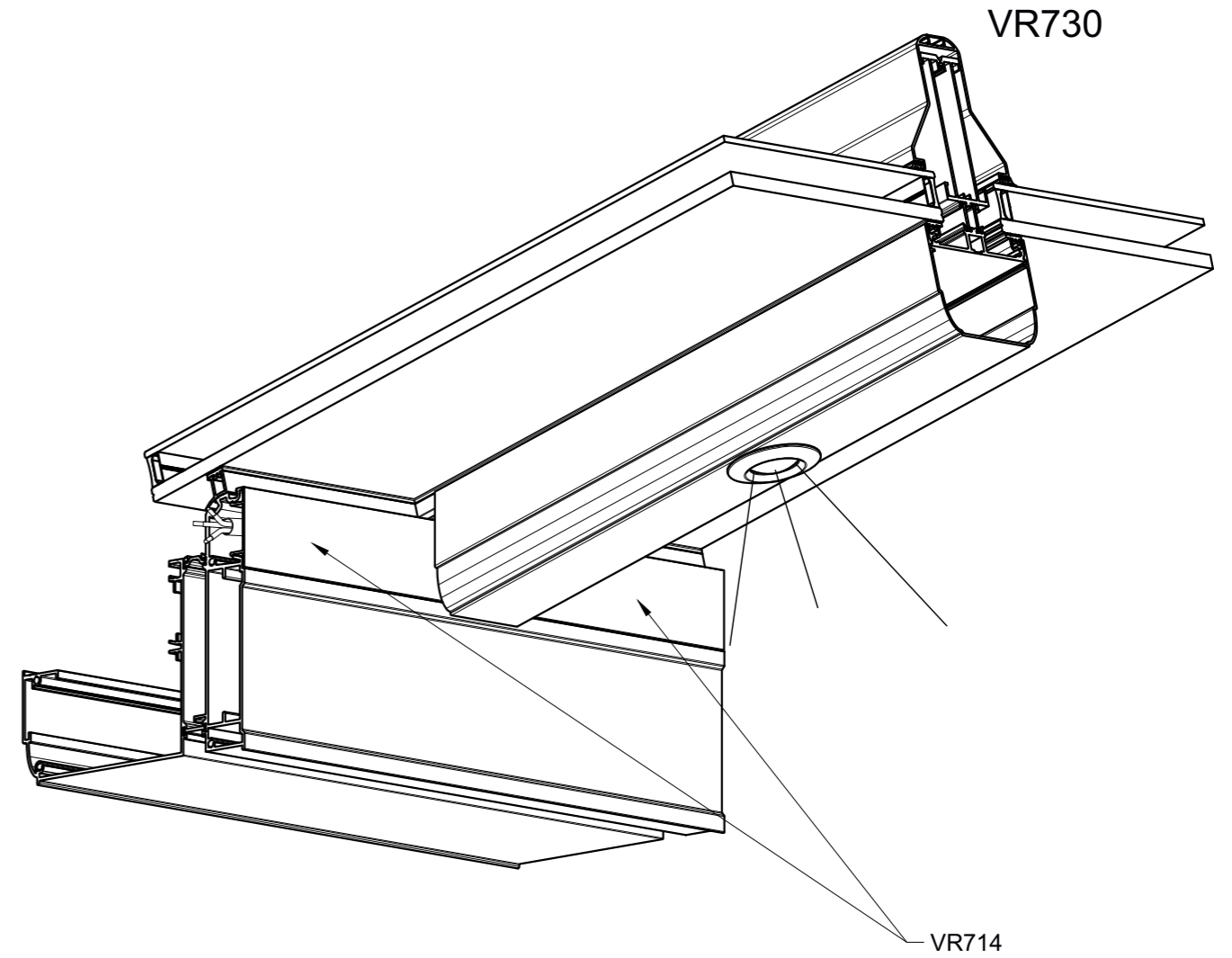
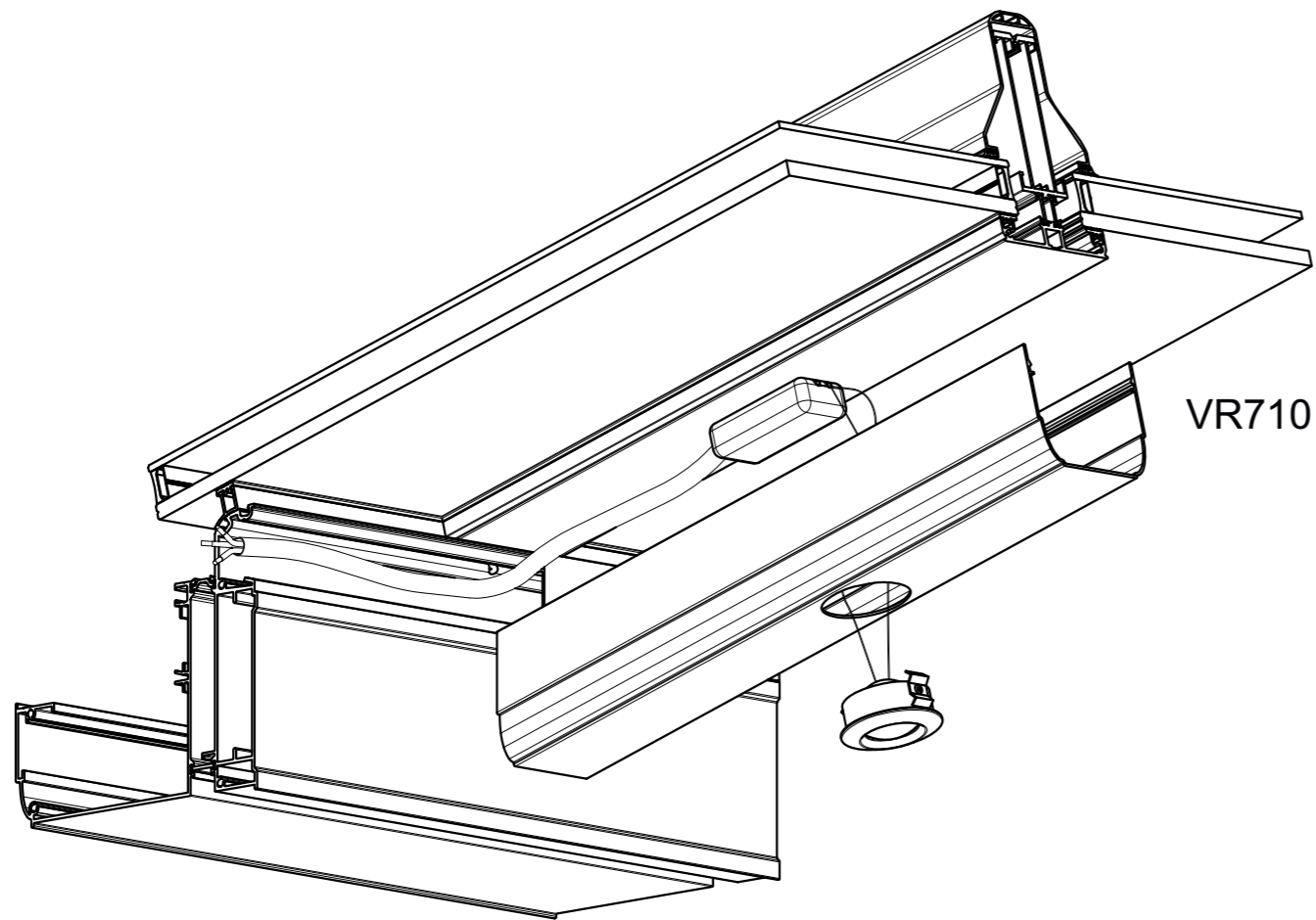


$$X = \frac{D-37.5}{\cos\alpha} + 36\tan\alpha - \frac{17.6}{\cos(45-\alpha)} + 36\tan(45-\alpha)$$



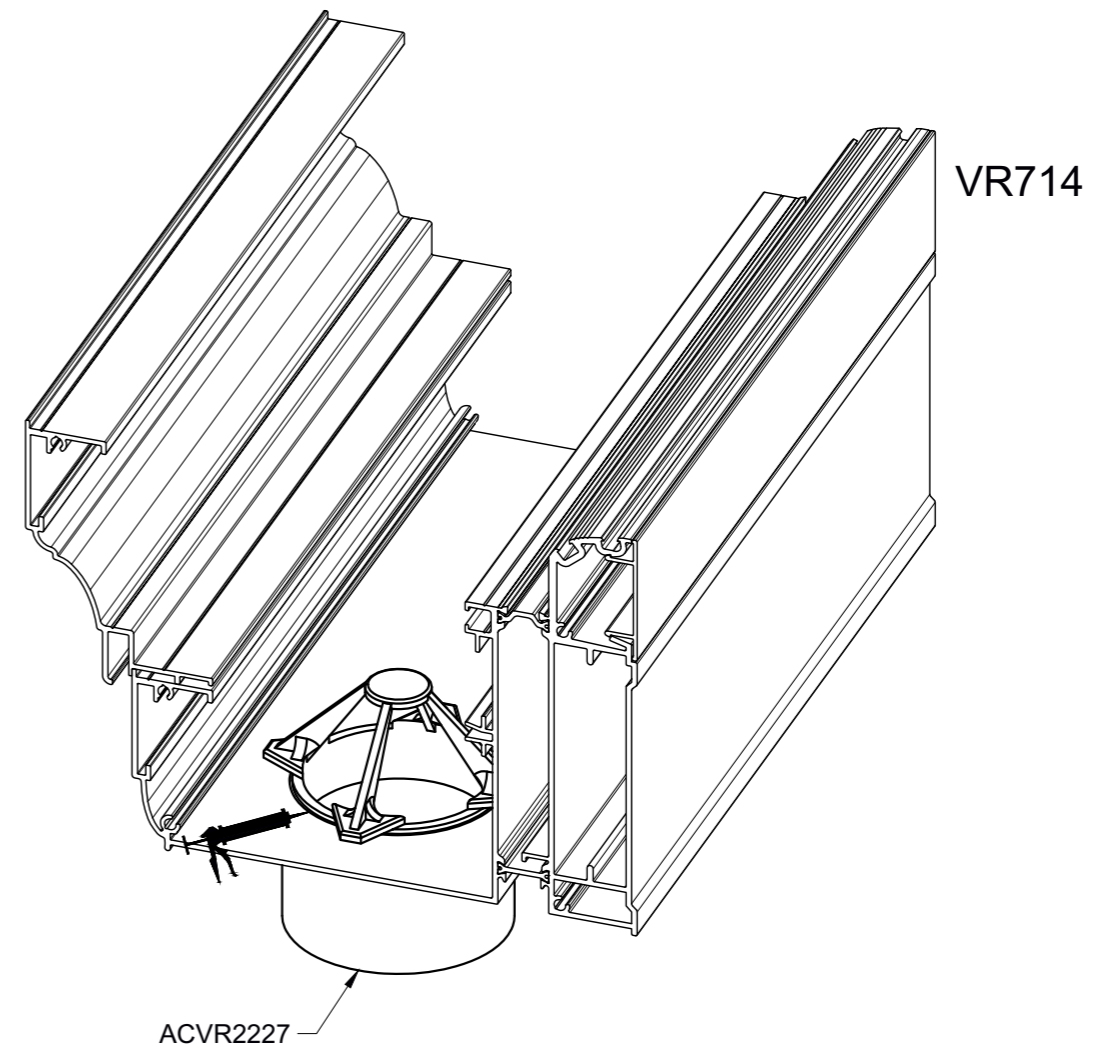
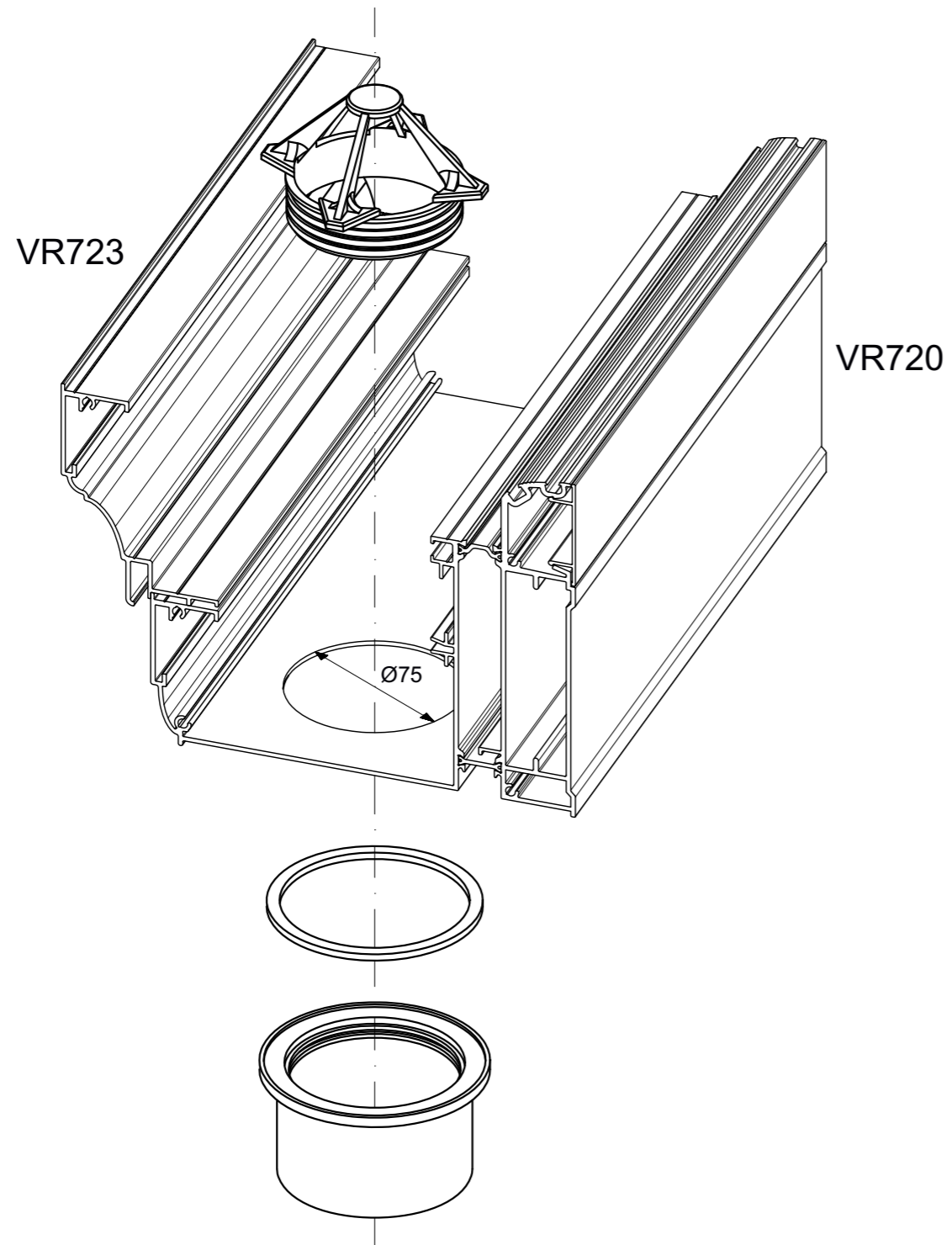
# VR700

MONTAGE SPOT  
MONTAGE SPOT  
MONTAGE SPOTLIGHT  
MONTAGE SPOTLIGHT



# VR700

WATERAFVOER VR720  
CREPINE VR720  
REGENABFUR VR720  
LEAF TRAP VR720



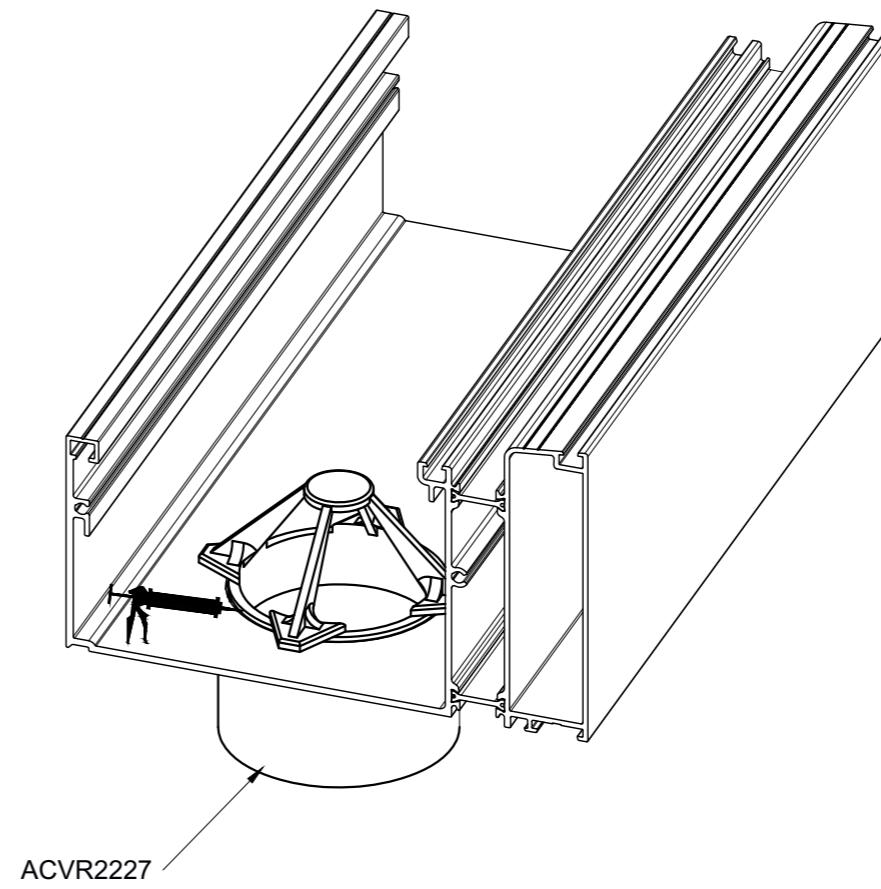
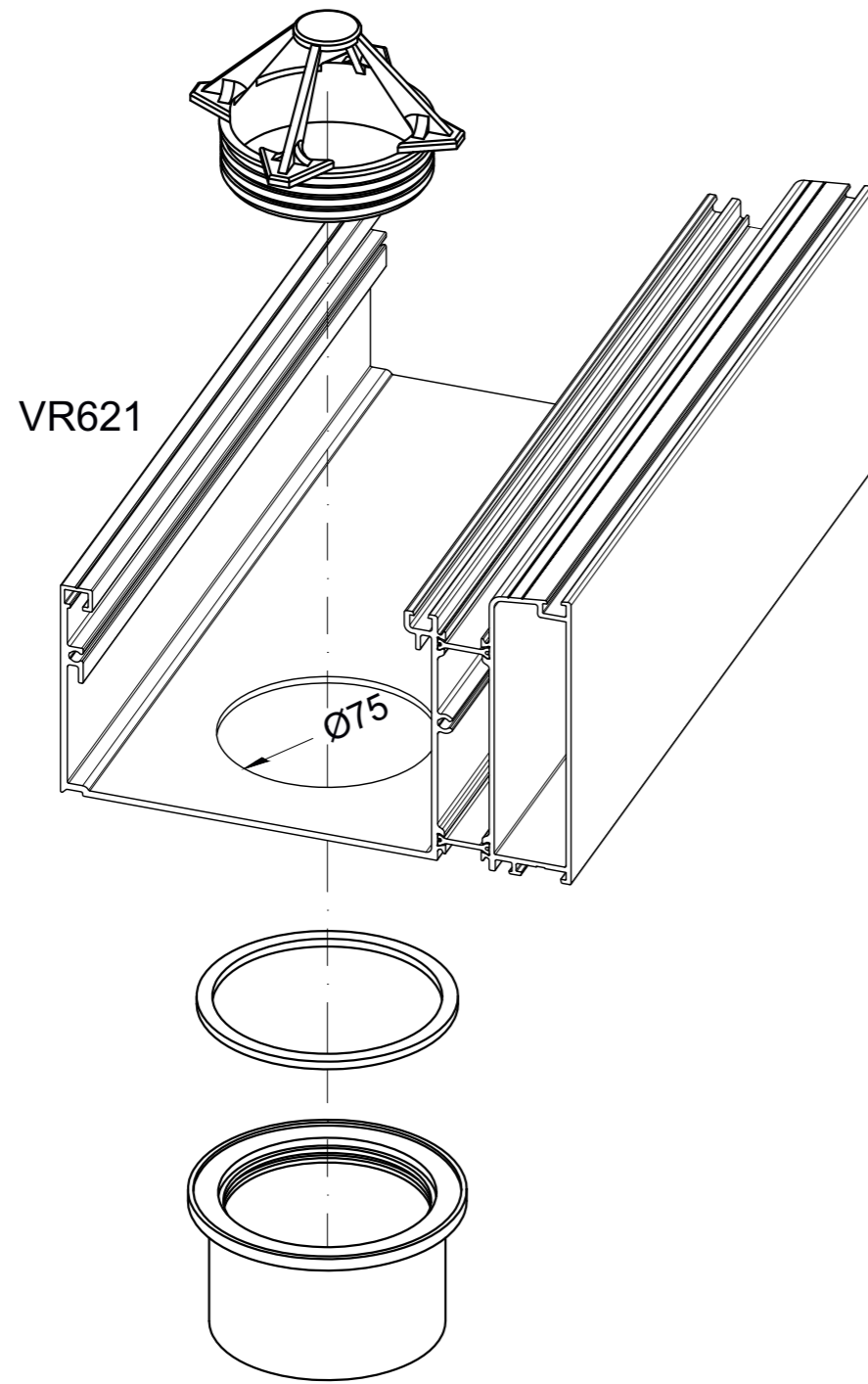
ACVR2227

**aliplast**  
member of  
**CORIALIS**

25/6/15

# VR700

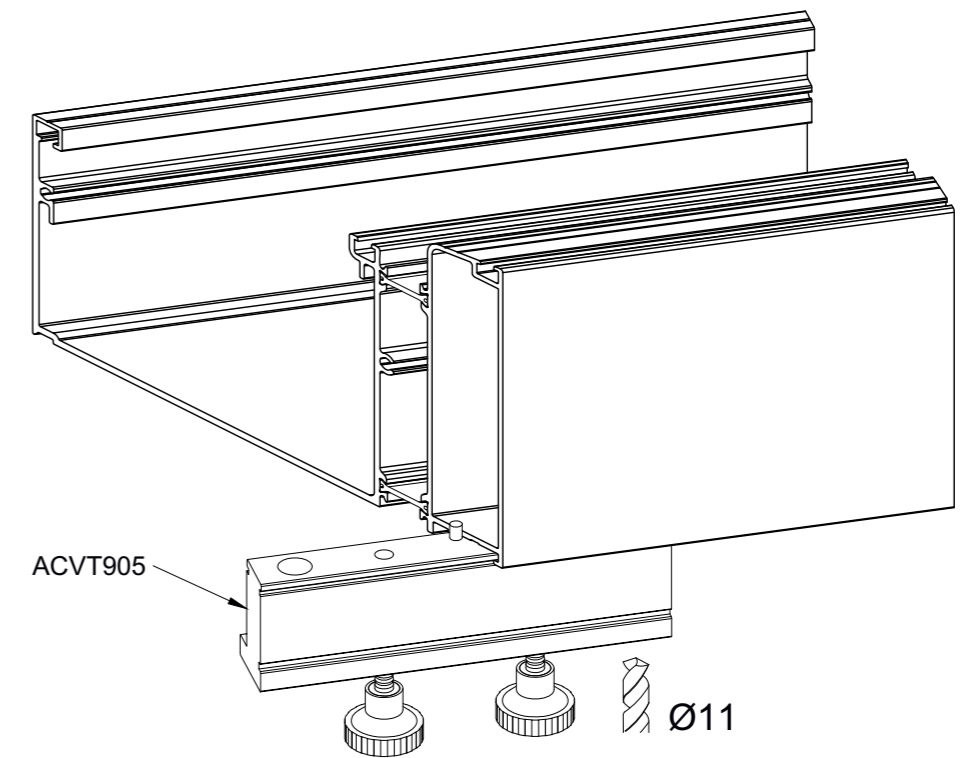
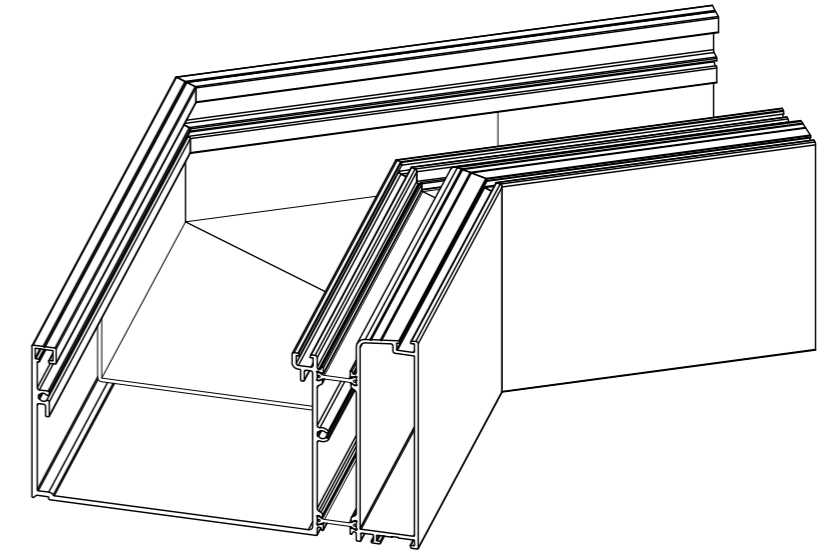
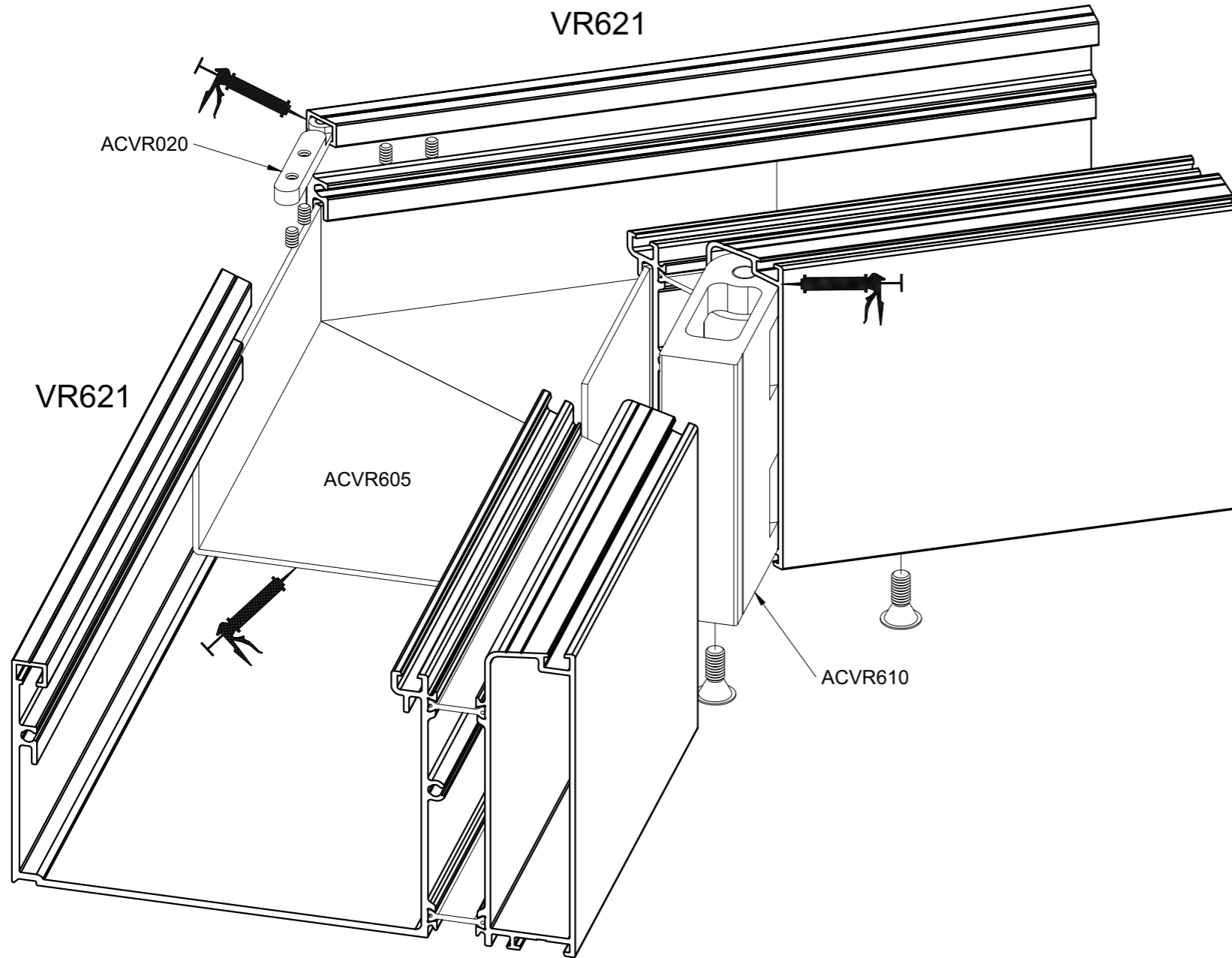
WATERAFVOER VR621  
CREPINE VR621  
REGENABFUR VR621  
LEAF TRAP VR621



ACVR2227\_2

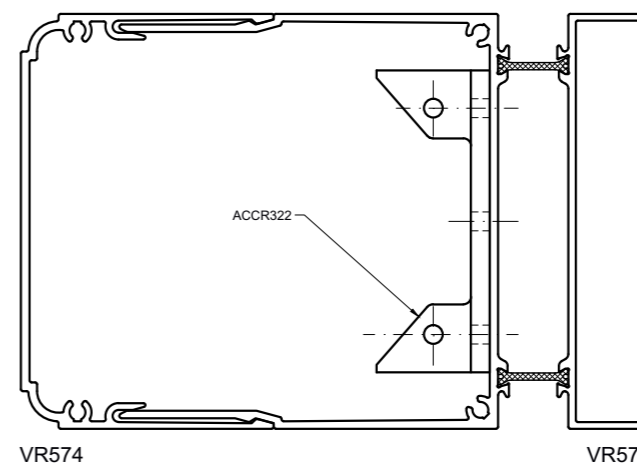
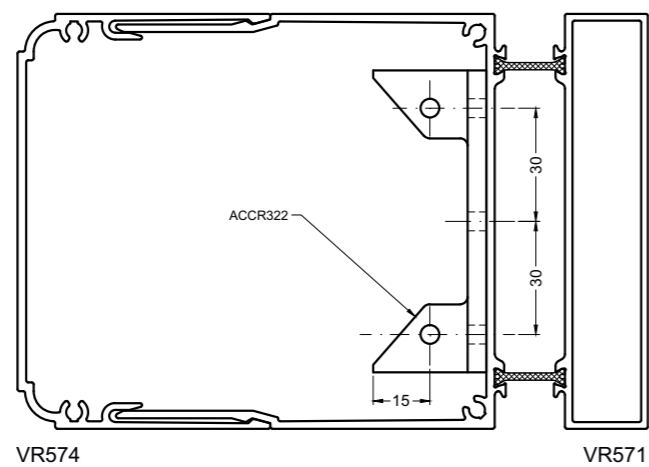
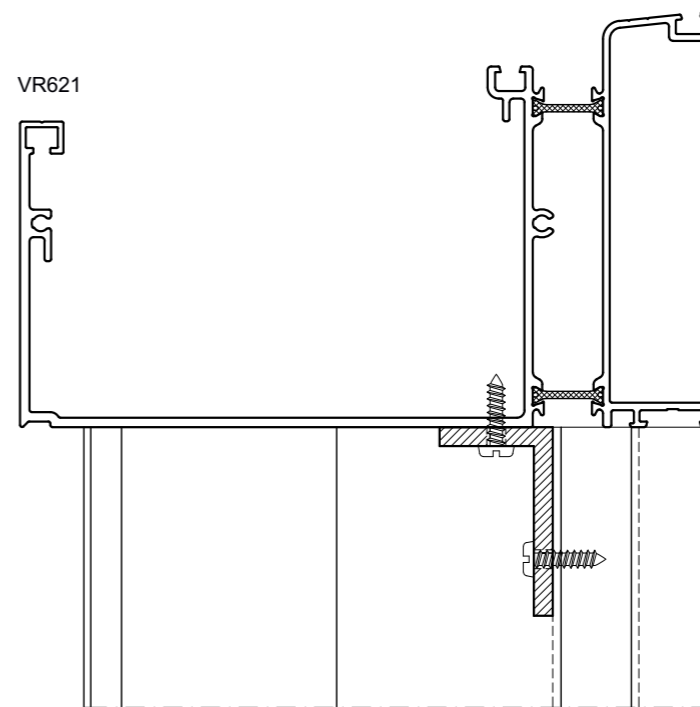
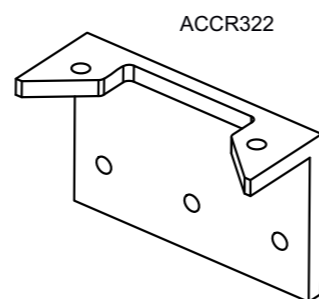
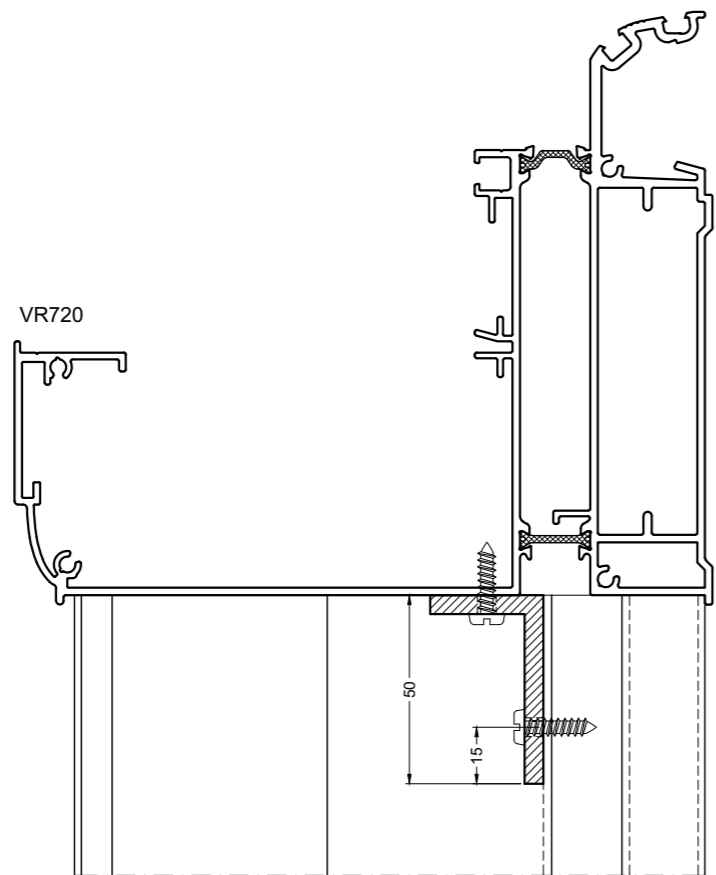
# VR700

GOOT KOPPELEN  
COUPLAGE GOUTTIERE  
KUPPLUNG RINNE  
COUPLING GUTTER



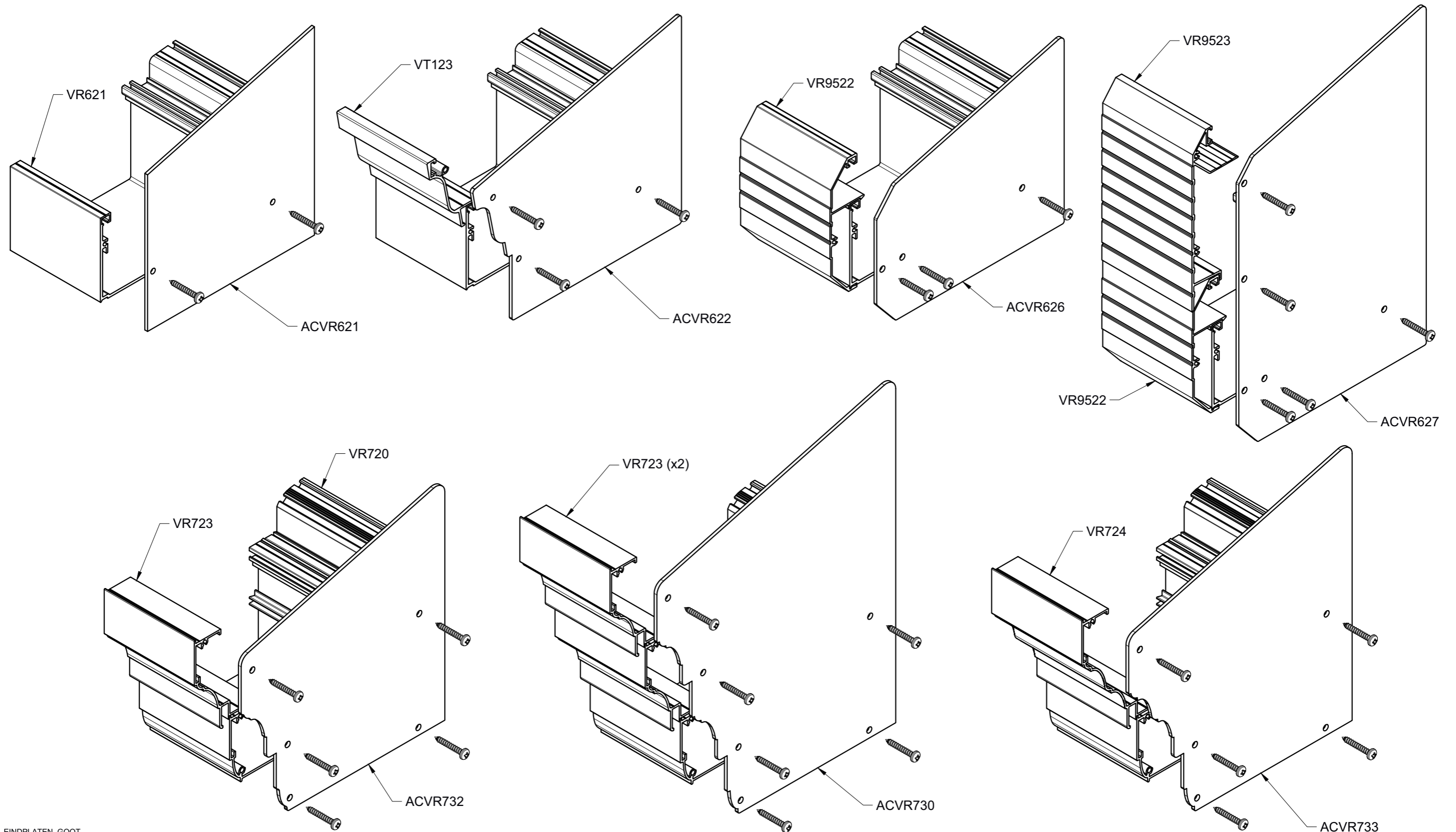
# VR700

VERBINDING GOOT - PAAL  
CONNECTION GOUTTIERE - POTEAU  
VERBINDUNG RINNE - PFAHL  
CONNECTION GUTTER - POST



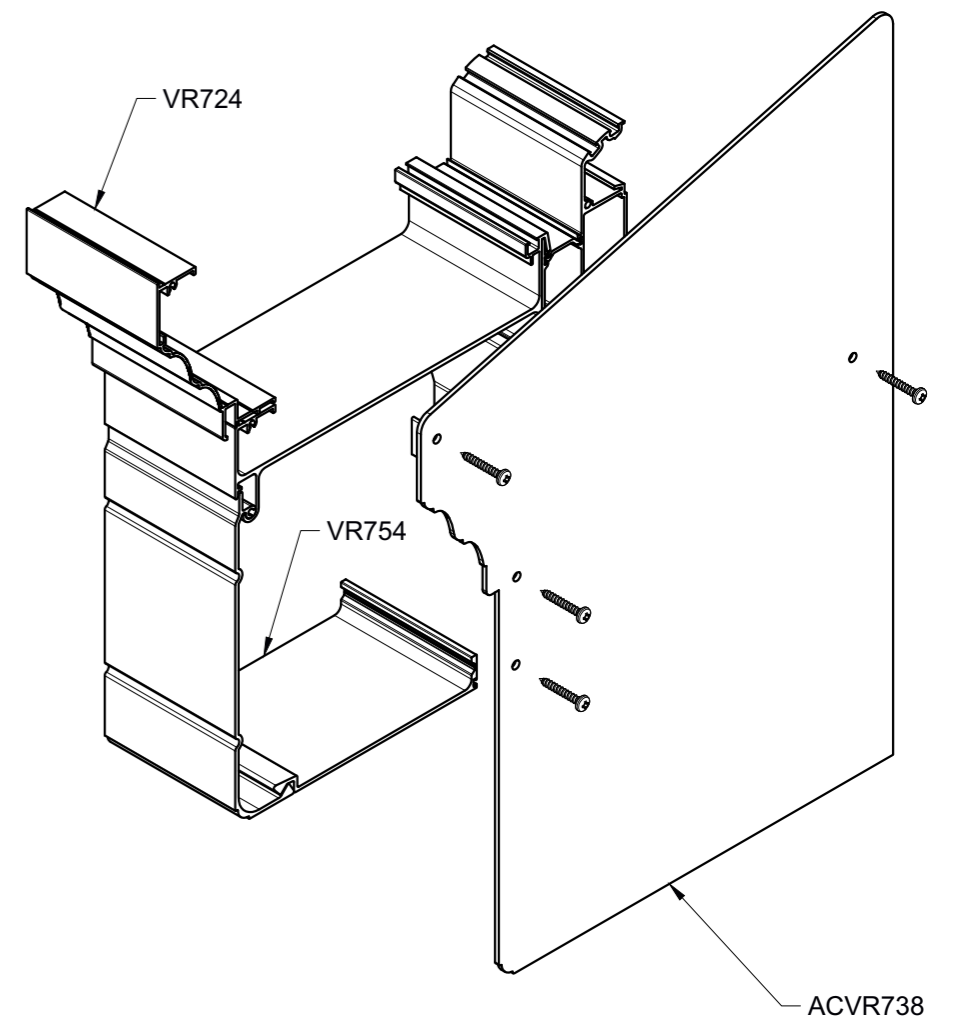
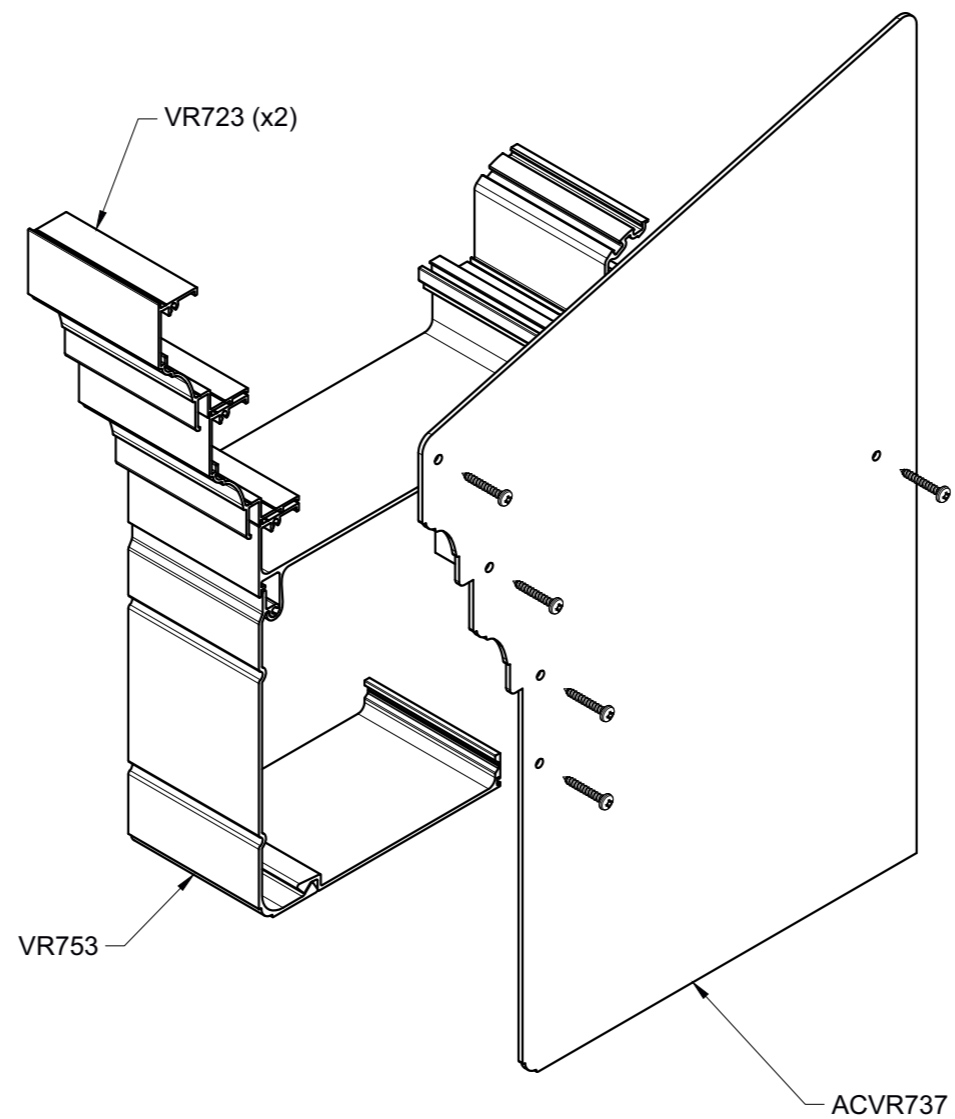
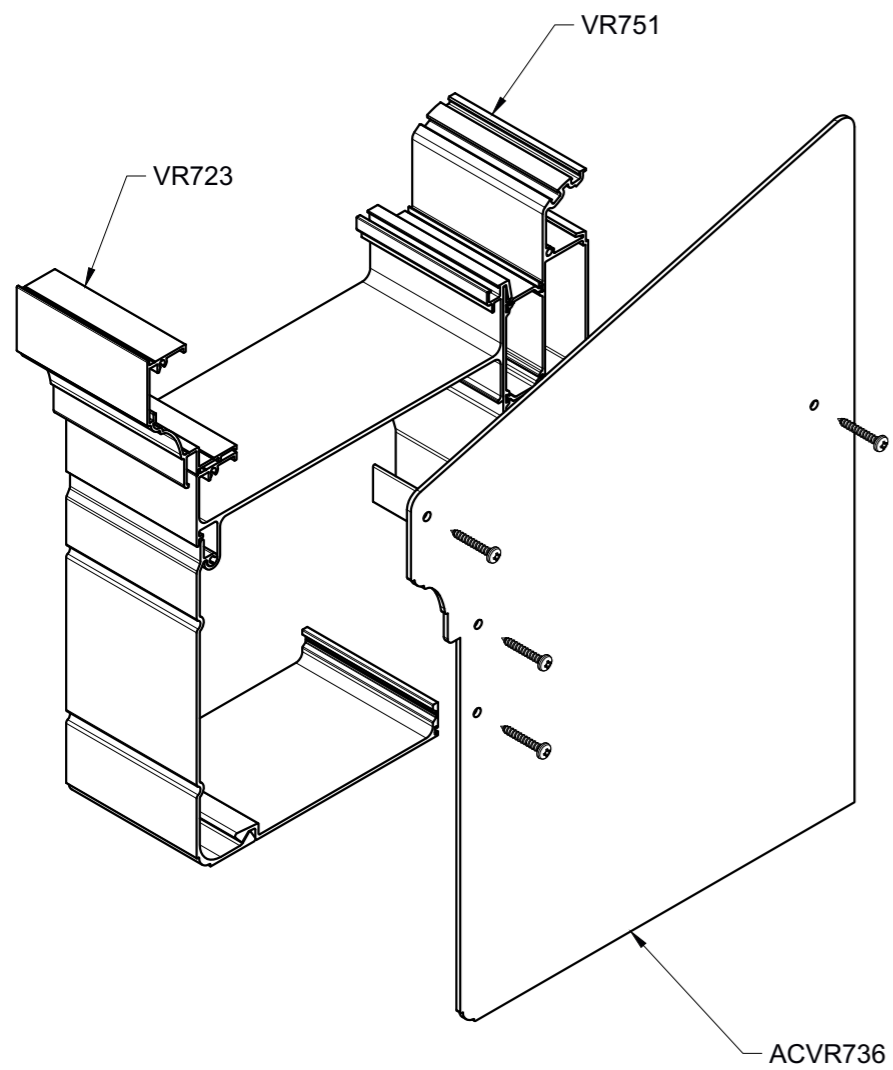
# VR700

EINDPLATEN GOOT  
PLAQUES GOUTTIERE  
ENDSTUCK DACHRINNE  
ENDPIECE GUTTER PROFILE



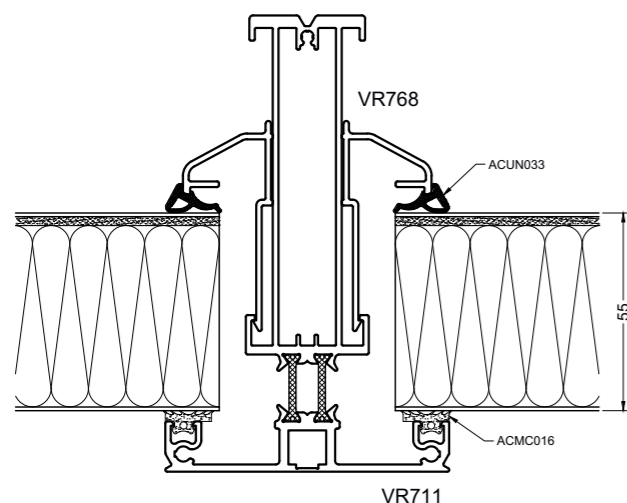
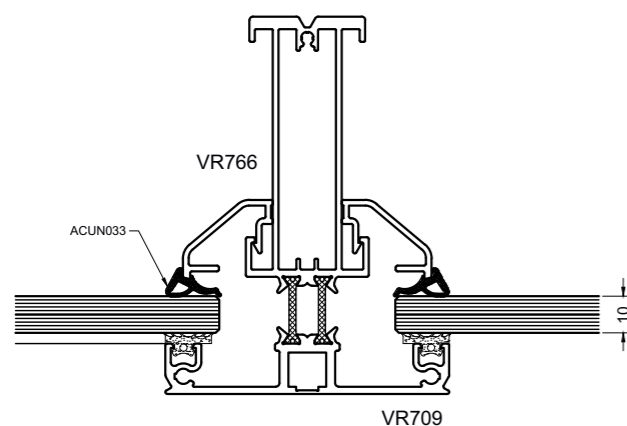
# VR700

EINDPLATEN GOOT INTEGROL  
PLAQUES GOUTTIERE INTEGROL  
ENDSTUCK DACHRINNE INTEGROL  
ENDPIECE GUTTER INTEGROL





GLASTABEL VOOR GLASLATTEN  
 TABLE DE VITRAGE POUR PARCLOSES  
 BEGLAZUNG TABELLE FÜR GLASLEISTE  
 GLAZING TABLE FOR GLAZING BEADS

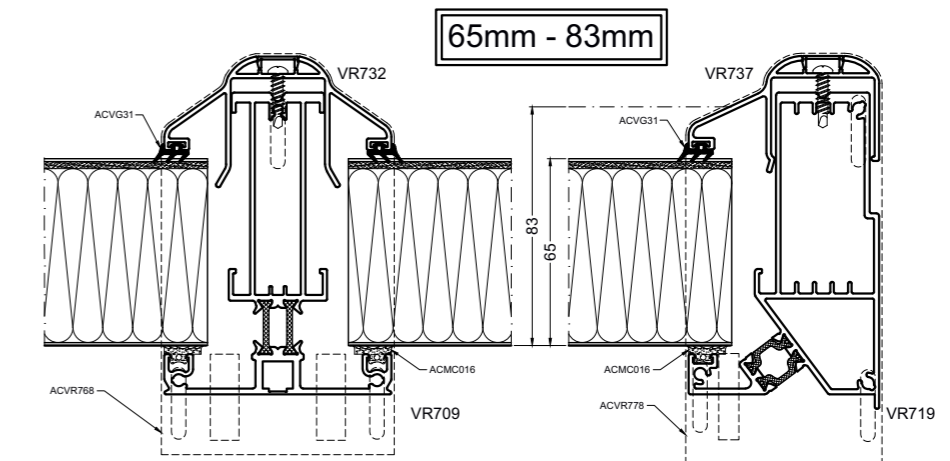
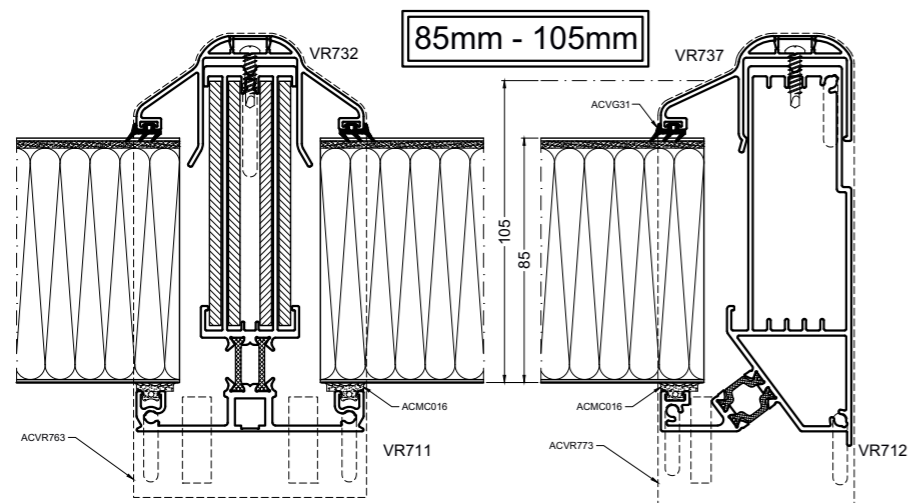
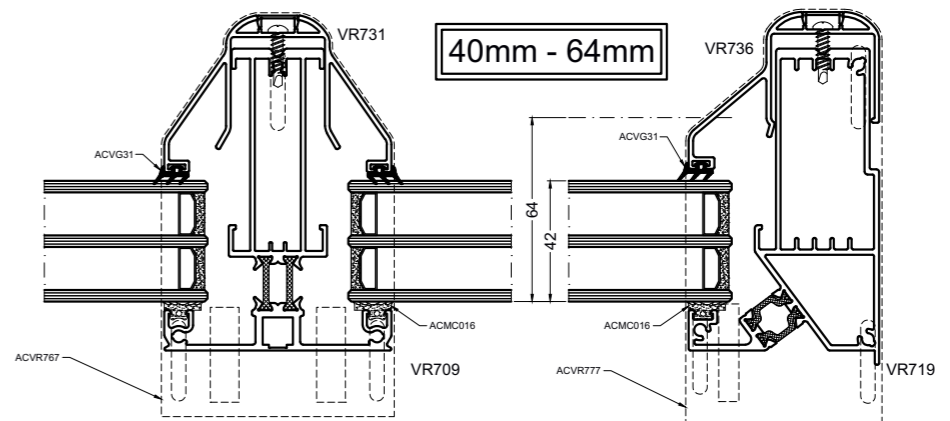
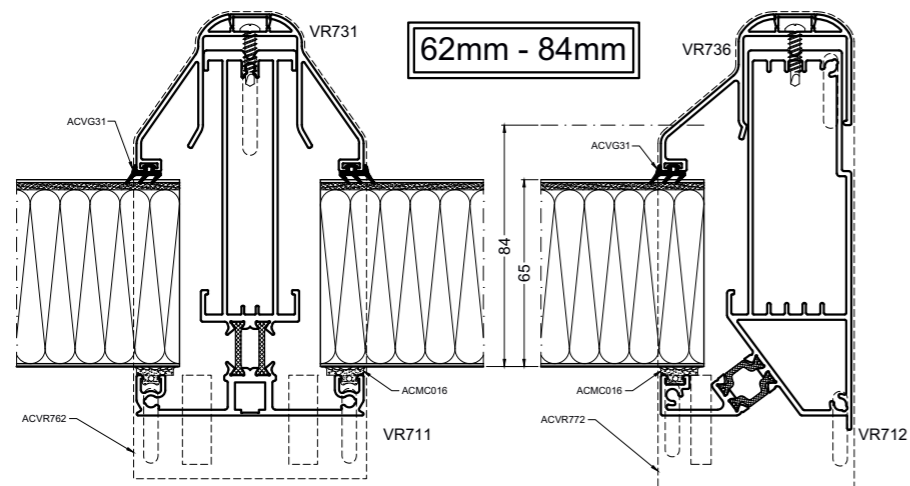
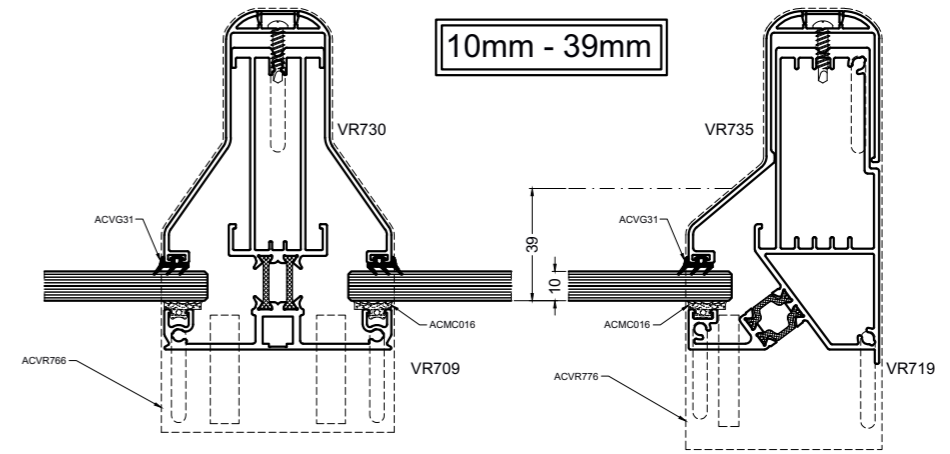
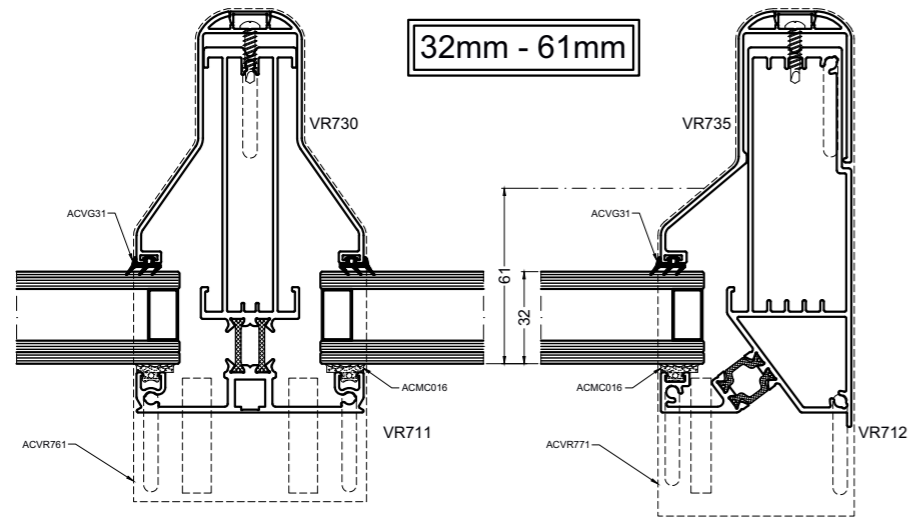


| Glaslat<br>Parclose<br>Glasleiste<br>Glazing bead | Rubber onder<br>Joint inférieur<br>Gummi unter<br>Gasket below | Rubber boven<br>Joint supérieur<br>Gummi oben<br>Gasket upper | Glasdikte (mm)<br>Epaisseur de vitrage<br>Glas Dicke<br>Glass thickness |
|---|--|---|---|
| VR766   | ACMC016  | ACUN033   | 10  |
| VR766   | ACMC016  | ACUN033   | 11  |
| VR766   | ACMC016  | ACUN033   | 12  |
| VR760   | ACMC116  | ACUN036   | 13  |
| VR760   | ACMC016  | ACUN036   | 14  |
| VR760   | ACMC016  | ACUN036   | 15  |
| VR760   | ACMC016  | ACUN036   | 16  |
| VR760   | ACMC016  | ACUN033   | 17  |
| VR760   | ACMC016  | ACUN033   | 18  |
| VR760   | ACMC016  | ACUN033   | 19  |
| VR762   | ACMC016  | ACUN036   | 20  |
| VR762   | ACMC016  | ACUN036   | 21  |
| VR762   | ACMC016  | ACUN036   | 22  |
| VR762   | ACMC016  | ACUN033   | 23  |
| VR762   | ACMC016  | ACUN033   | 24  |
| VR762   | ACMC016  | ACUN033   | 25  |
| VR764   | ACMC706  | ACUN036   | 26  |
| VR764   | ACMC116  | ACUN036   | 27  |
| VR764   | ACMC116  | ACUN036   | 28  |
| VR764   | ACMC116  | ACUN036   | 29  |
| VR764   | ACMC016  | ACUN036   | 30  |
| VR764   | ACMC016  | ACUN036   | 31  |
| VR764   | ACMC016  | ACUN033   | 32  |
| VR764   | ACMC016  | ACUN033   | 33  |
| VR764   | ACMC016  | ACUN033   | 34  |
| VR768   | ACMC115  | ACUN036   | 40  |
| VR768   | ACMC115  | ACUN036   | 41  |
| VR768   | ACMC115  | ACUN036   | 42  |
| VR768   | ACMC115  | ACUN033   | 43  |
| VR768   | ACMC115  | ACUN033   | 44  |
| VR768   | ACMC115  | ACUN033   | 45  |
| VR768   | ACMC015  | ACUN033   | 46  |
| VR768   | ACMC015  | ACUN033   | 47  |
| VR768   | ACMC015  | ACUN033   | 48  |

| Glaslat<br>Parclose<br>Glasleiste<br>Glazing bead | Rubber onder<br>Joint inférieur<br>Gummi unter<br>Gasket below | Rubber boven<br>Joint supérieur<br>Gummi oben<br>Gasket upper | Glasdikte (mm)<br>Epaisseur de vitrage<br>Glas Dicke<br>Glass thickness |
|---|--|---|---|
| VR768   | ACMC706  | ACUN036   | 49  |
| VR768   | ACMC116  | ACUN036   | 50  |
| VR768   | ACMC116  | ACUN036   | 51  |
| VR768   | ACMC116  | ACUN036   | 52  |
| VR768   | ACMC016  | ACUN036   | 53  |
| VR768   | ACMC016  | ACUN036   | 54  |
| VR768   | ACMC016  | ACUN033   | 55  |
| VR768   | ACMC016  | ACUN033   | 56  |
| VR768   | ACMC016  | ACUN033   | 57  |
| VR778   | ACMC015  | ACUN033   | 58  |
| VR778   | ACMC706  | ACUN036   | 59  |
| VR778   | ACMC706  | ACUN036   | 60  |
| VR778   | ACMC706  | ACUN036   | 61  |
| VR778   | ACMC116  | ACUN036   | 62  |
| VR778   | ACMC016  | ACUN036   | 63  |
| VR778   | ACMC016  | ACUN036   | 64  |
| VR778   | ACMC016  | ACUN033   | 65  |
| VR778   | ACMC016  | ACUN033   | 66  |
| VR778   | ACMC016  | ACUN033   | 67  |
| VR779   | ACMC716  | ACUN036   | 68  |
| VR779   | ACMC115  | ACUN036   | 69  |
| VR779   | ACMC115  | ACUN036   | 70  |
| VR779   | ACMC115  | ACUN036   | 71  |
| VR779   | ACMC015  | ACUN036   | 72  |
| VR779   | ACMC015  | ACUN036   | 73  |
| VR779   | ACMC015  | ACUN033   | 74  |
| VR779   | ACMC015  | ACUN033   | 75  |
| VR779   | ACMC015  | ACUN033   | 76  |
| VR779   | ACMC015  | ACUN036   | 77  |
| VR779   | ACMC706  | ACUN036   | 78  |
| VR779   | ACMC116  | ACUN036   | 79  |
| VR779   | ACMC116  | ACUN036   | 80  |
| VR779   | ACMC116  | ACUN036   | 81  |
| VR779   | ACMC016  | ACUN036   | 82  |
| VR779   | ACMC016  | ACUN036   | 83  |
| VR779   | ACMC016  | ACUN033   | 84  |
| VR779   | ACMC016  | ACUN033   | 85  |

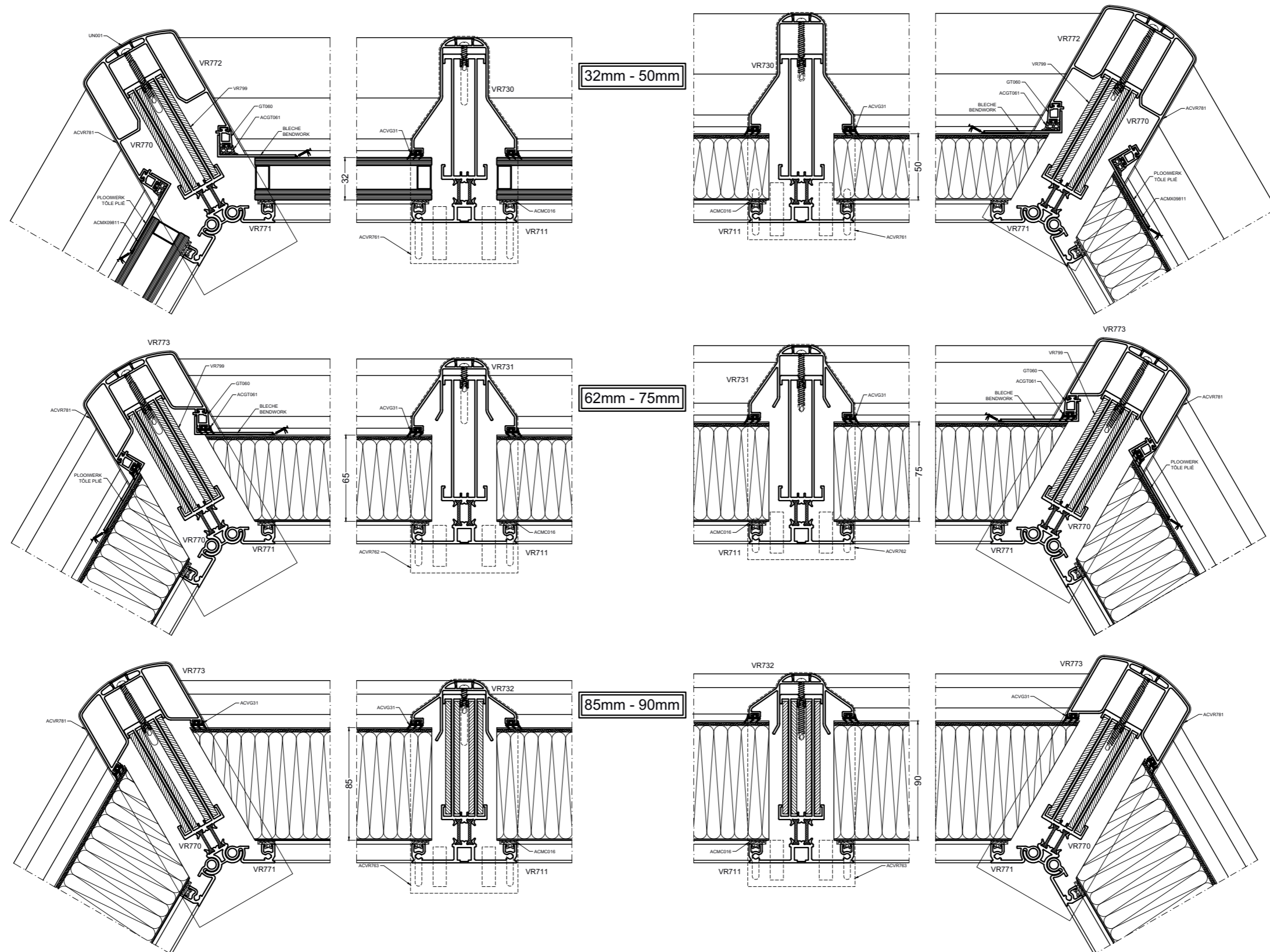
# VR700

GLASTABEL VOOR DEKPROFIELEN  
 TABLE DE VITRAGE POUR CAPOTS  
 BEGLAZUNG TABELLE FÜR ABDECKPROFILE  
 GLAZING TABLE FOR COVER PROFILES



# VR700

GLASTABEL VOOR DEKPROFIELEN  
 TABLE DE VITRAGE POUR CAPOTS  
 BEGLAZUNG TABELLE FÜR ABDECKPROFILE  
 GLAZING TABLE FOR COVER PROFILES



WERKTEKENINGEN - DESSINS DE CONSTRUCTION - KONSTRUKTIONZEICHNUNGEN - CONSTRUCTION DRAWINGS

# VR700

GLASTABEL VOOR DEKPROFIELEN  
 TABLE DE VITRAGE POUR CAPOTS  
 BEGLAZUNG TABELLE FÜR ABDECKPROFILE  
 GLAZING TABLE FOR COVER PROFILES

